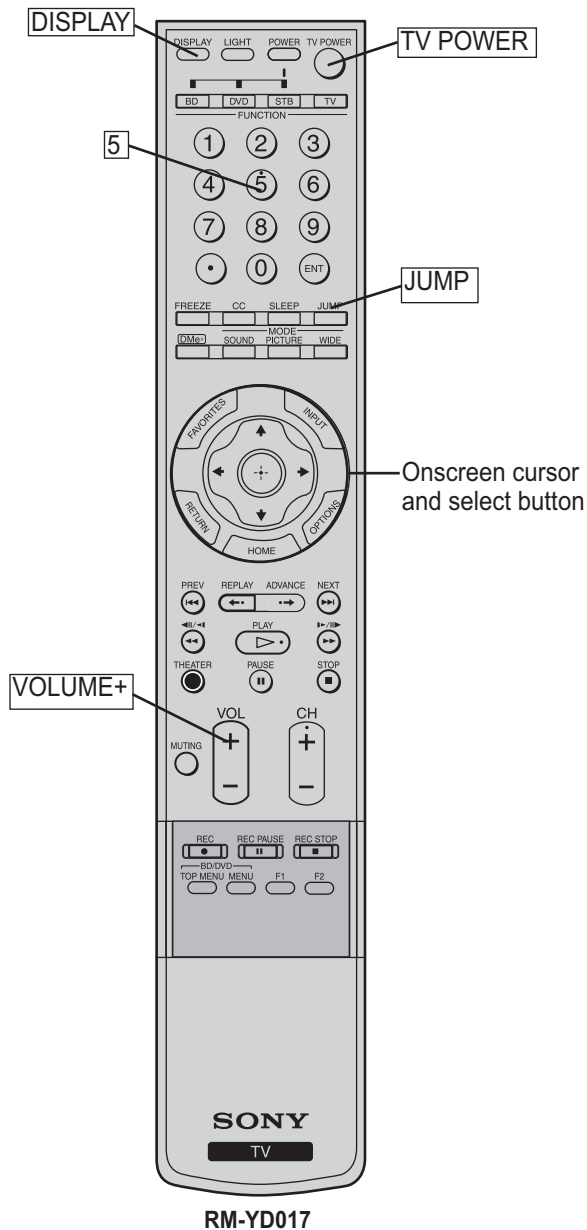


## SECTION 2: SERVICE ADJUSTMENTS

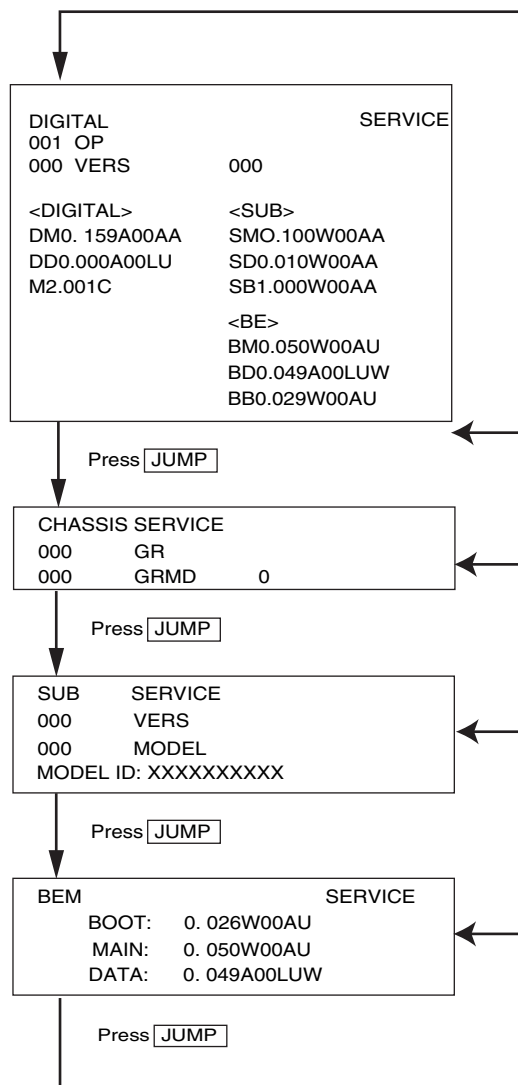
### 2-1. REMOTE ADJUSTMENT BUTTONS AND INDICATORS



### 2-2. ACCESSING SERVICE ADJUSTMENTS

To adjust various set features, use the Remote Commander to put the set into service mode to display the service menus.

1. TV must be in standby mode. (Power off).
2. Press the following buttons on the Remote Commander within a second of each other:  
DISPLAY → Channel 5 → Volume + → TV POWER.  
 The first service menu (TV) displays.
3. To display the service menu that contains the category you want to adjust, press JUMP on the Remote Commander.



The screen displays the first category in the selected service menu.

4. To change the **category**, press **2** or **5** on the Remote Commander.

**Note:** Pressing **2** or **5** only changes the categories within the service menu displayed.

To change a category on one of the other service menus, press the **JUMP** button until the correct service menu is displayed.

5. To change the **adjustment item**, press **1** or **4** on the Remote Commander.

6. To change the **data value**, press **3** or **6** on the Remote Commander.

7. To write into memory, press **MUTING** then **0** on the Remote Commander.

8. To exit service mode, turn the power off.

