

POWER SW  
SW501  
ESB-76937A  
PCB005  
TE0390A

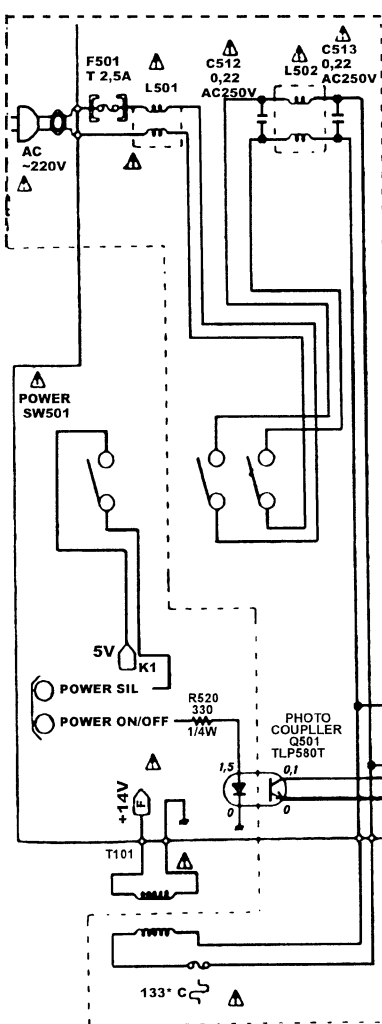
F501  
T 4A  
250

FH501  
FH502  
773JEE  
0004



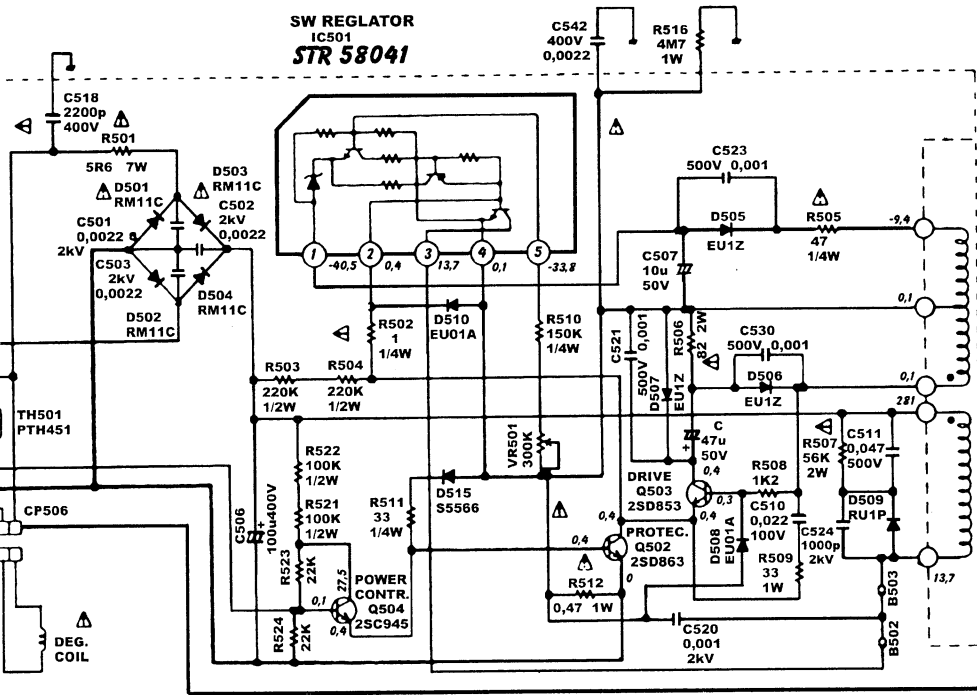
Dragoljub Janković  
microe@ptt.yu

031/512 402 - 514 582

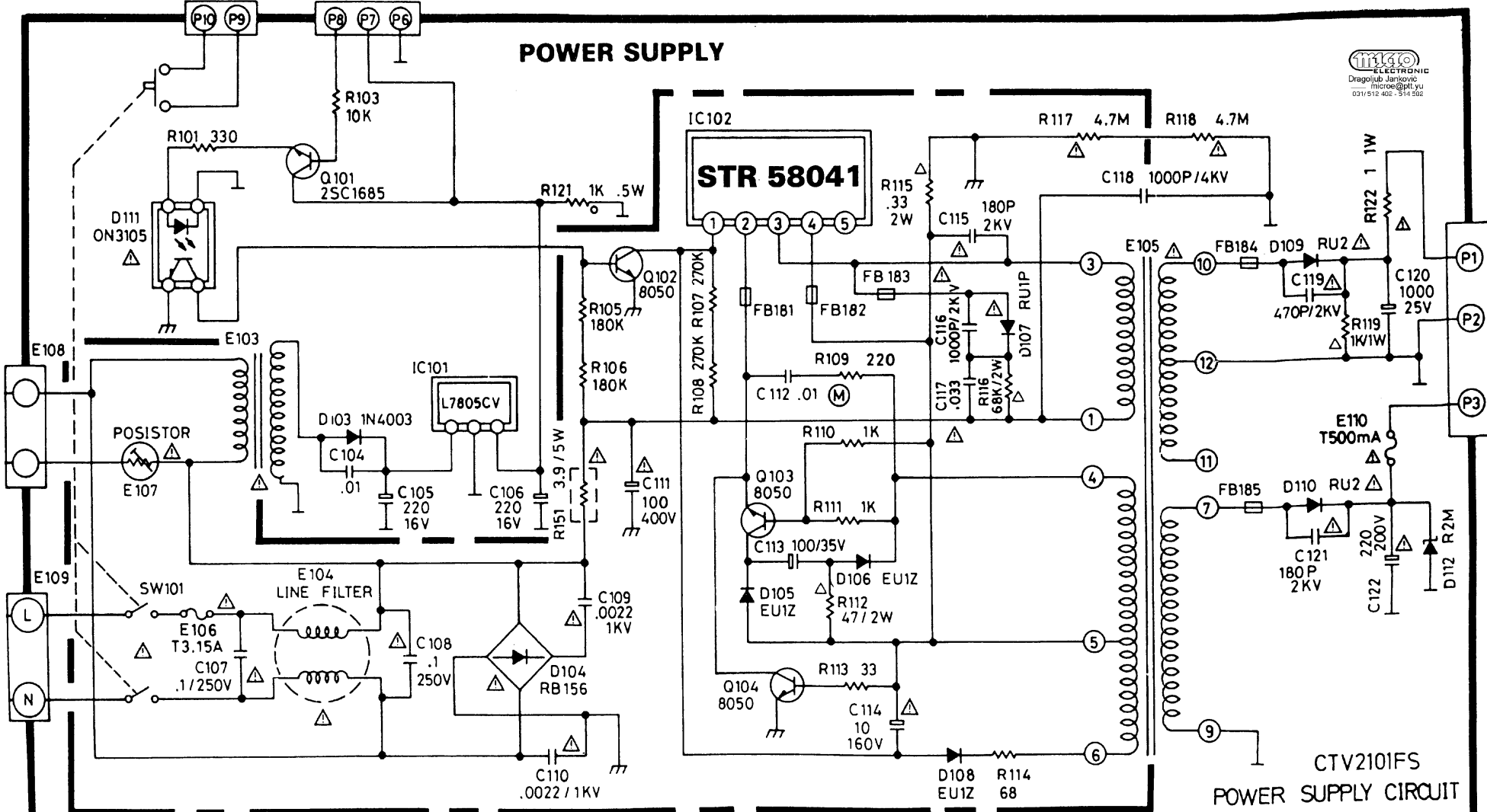


**micro**  
ELECTRONIC  
Dragoljub Janković  
micro@pitt.yu  
031/512 402 063/83 11 606

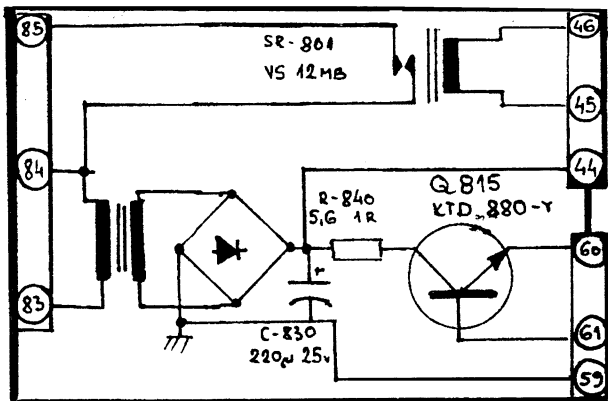
**SW REGLATOR**  
IC501  
**STR 58041**



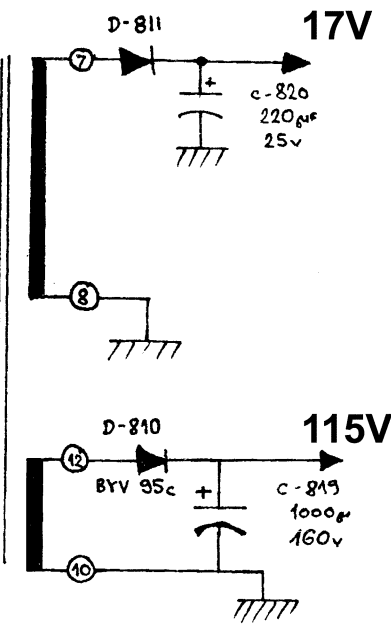
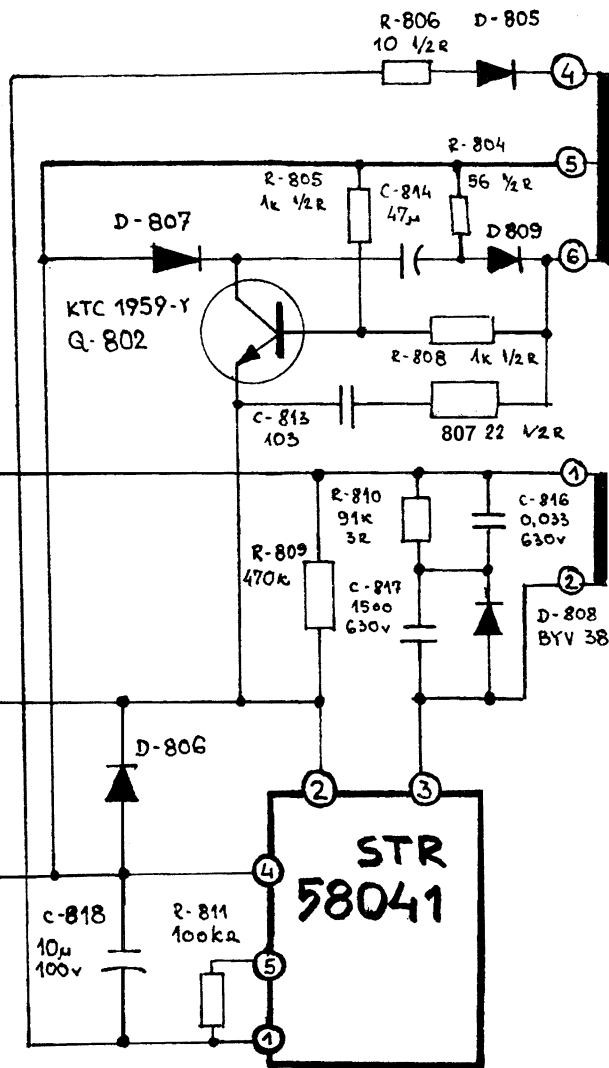
# POWER SUPPLY



CTV2101FS  
POWER SUPPLY CIRCUIT

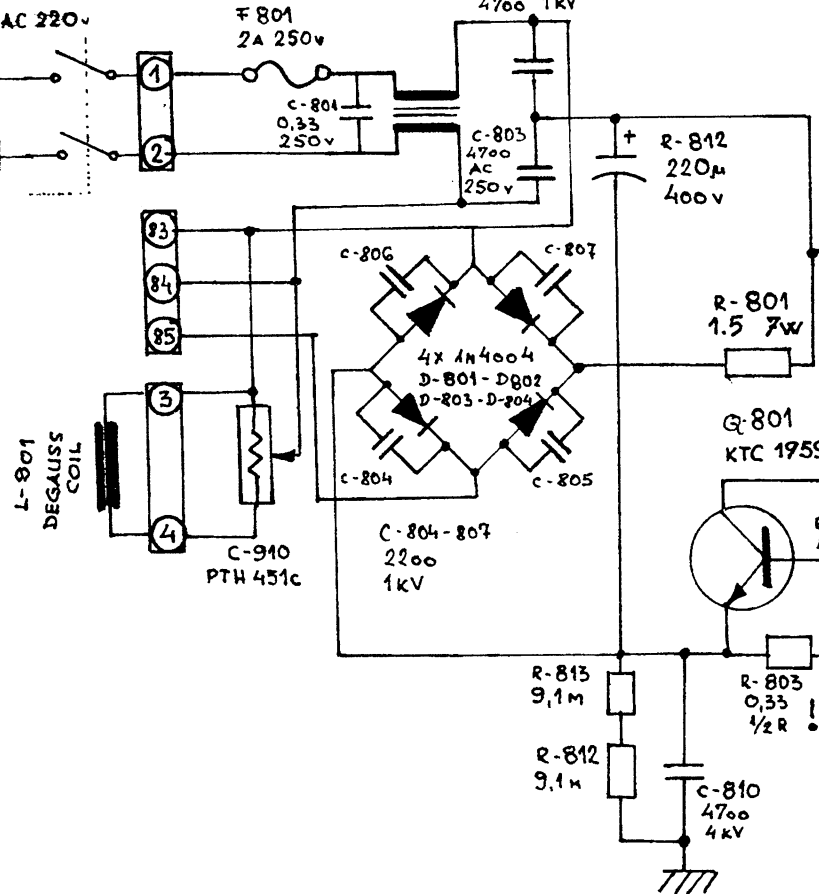


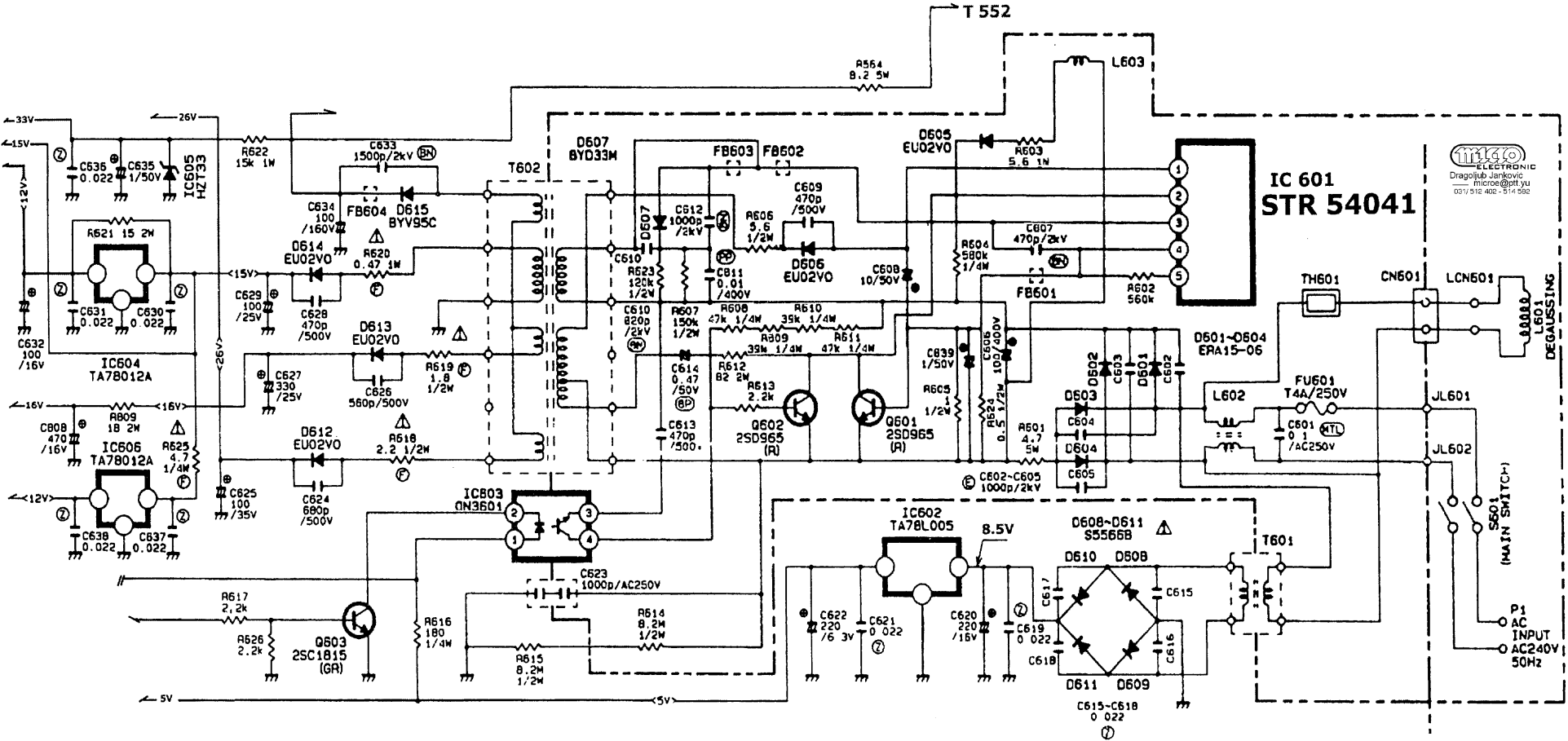
D-805, 806, 807, 809, 811 = BYV 95c



TV  
SAN

**INCO**  
ELECTRONIC  
Dragoljub Janjovic  
micro@ptt.yu  
0011 512 402 - 514 982





**IC 601  
STR 5401**

8.5V

(MAIN SWITCH)

P1  
AC INPUT  
AC 240V  
50Hz

DEGAUSSING

C615-C618  
0.022