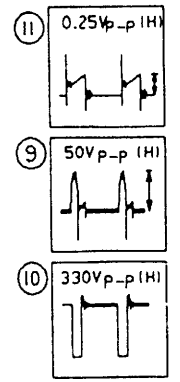


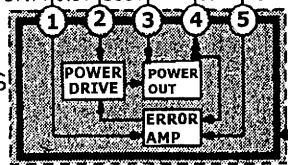
micro
ELECTRONIC
Dragoljub Jankovic
microe@ptt.yu
031/512 402 - 514 592



Q901
25C2655(Y)
PROTECTOR

Q902
25A966
PROTECTOR

IC901
STR5404IS
POWER
REGULATOR



Q923
25D1274AV
BI SWITCH

Q924
25A1013(I)
BI SWITCH

Q925
25C2229(Y)
BI SWITCH

R934 100
1W FR

C934
100/160

B1
115V

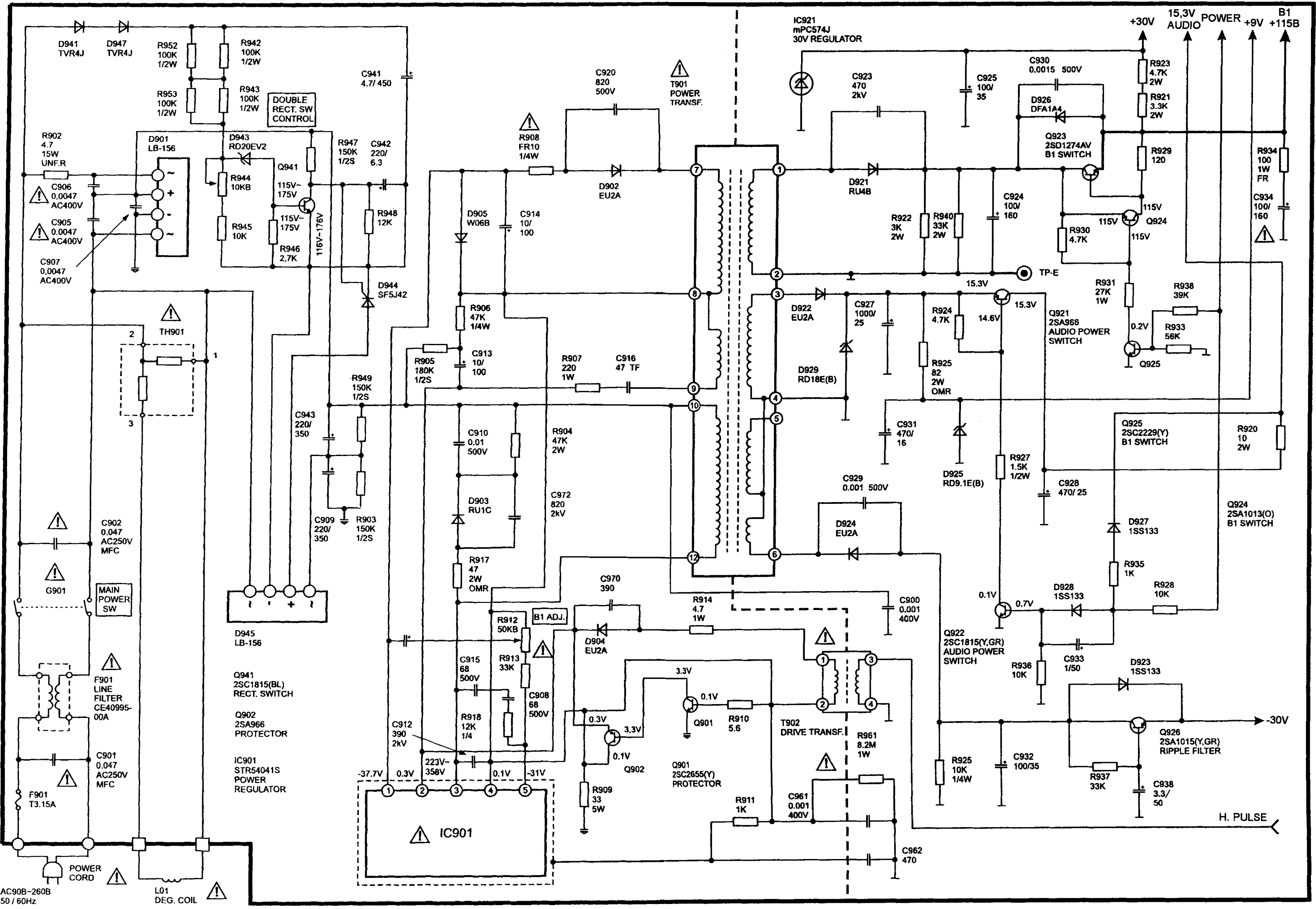
Q921
25A966
AUDIO POWER SWITCH

Q922
25C1815(Y,GR)
AUDIO POWER SWITCH

C938
3.3/50
RIPPLE FILTER

SBX-1901A MAIN PCB

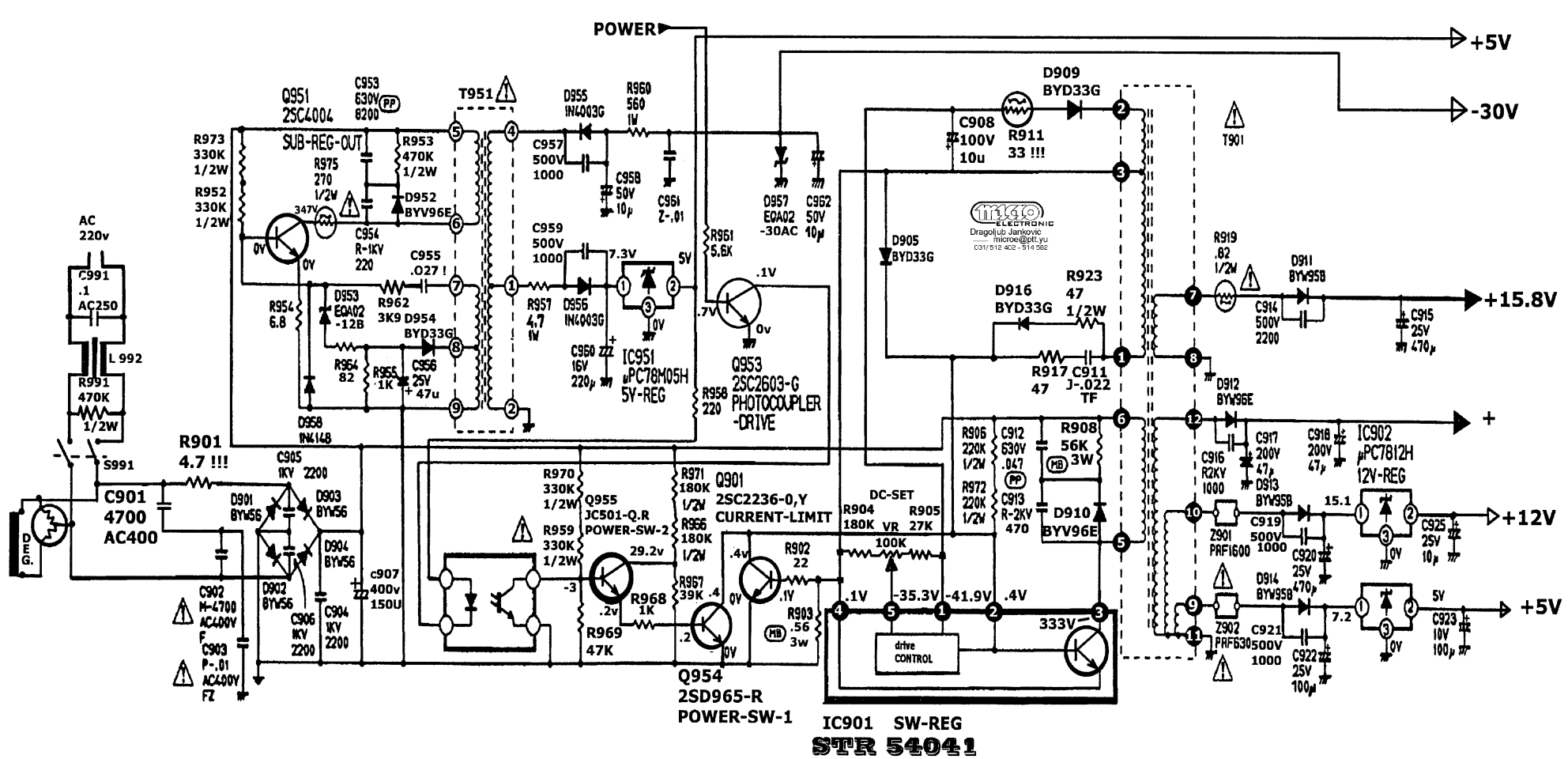
(WAVEFORM VOLTAGE WAS MEASURED BY USING AC 220V)

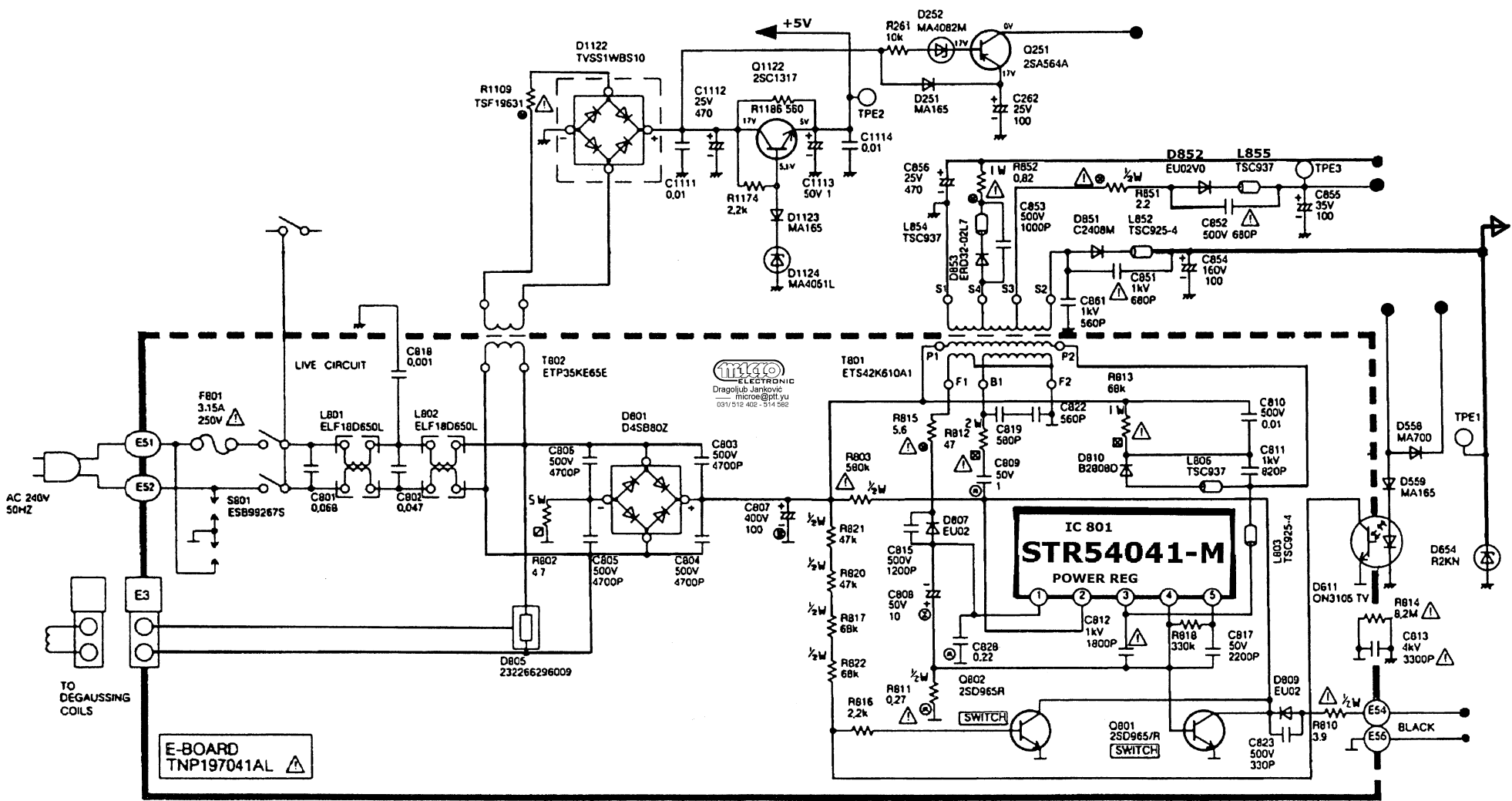


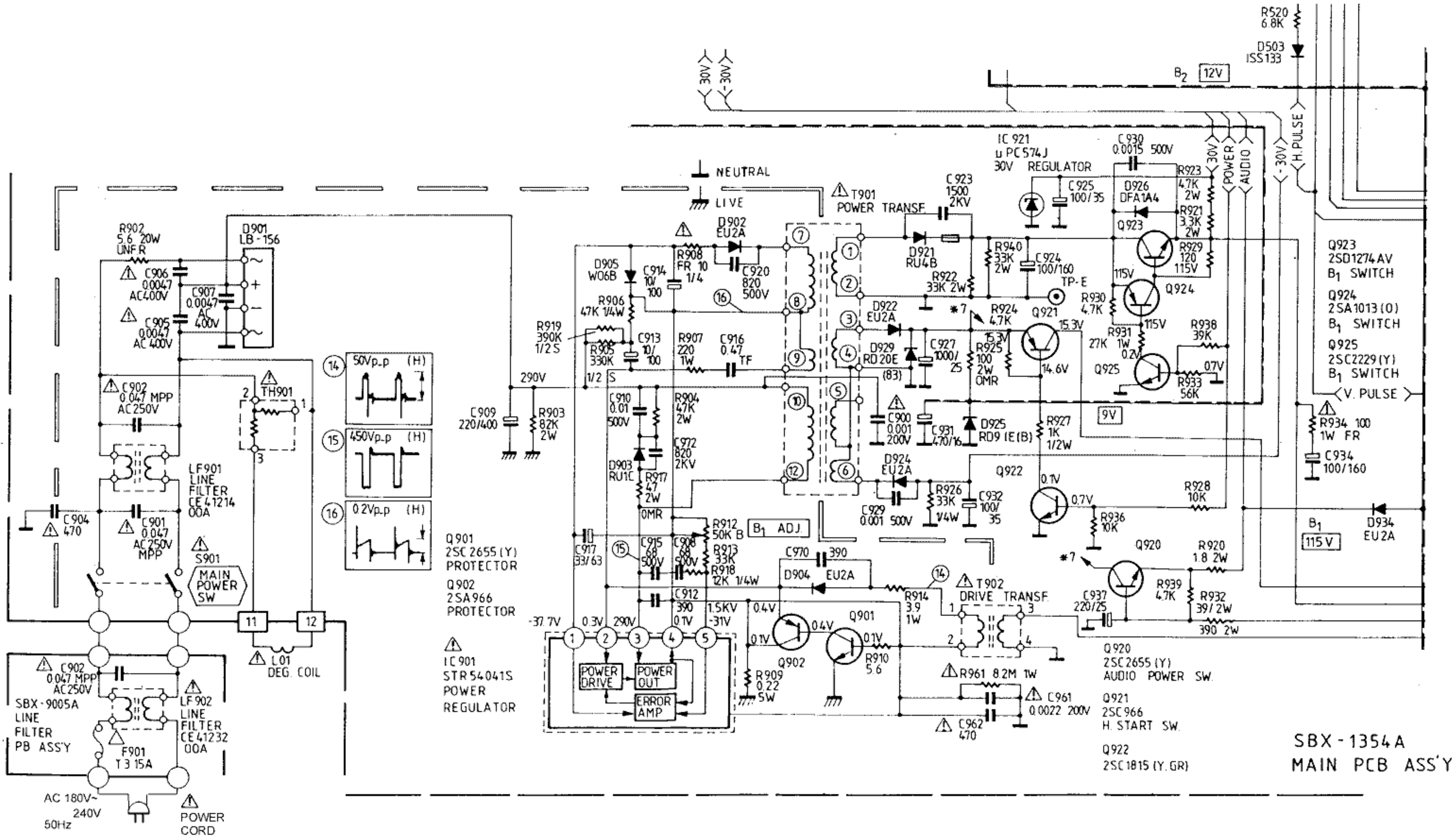
AC90B-260B
50 / 60Hz

L01
DEG. COIL

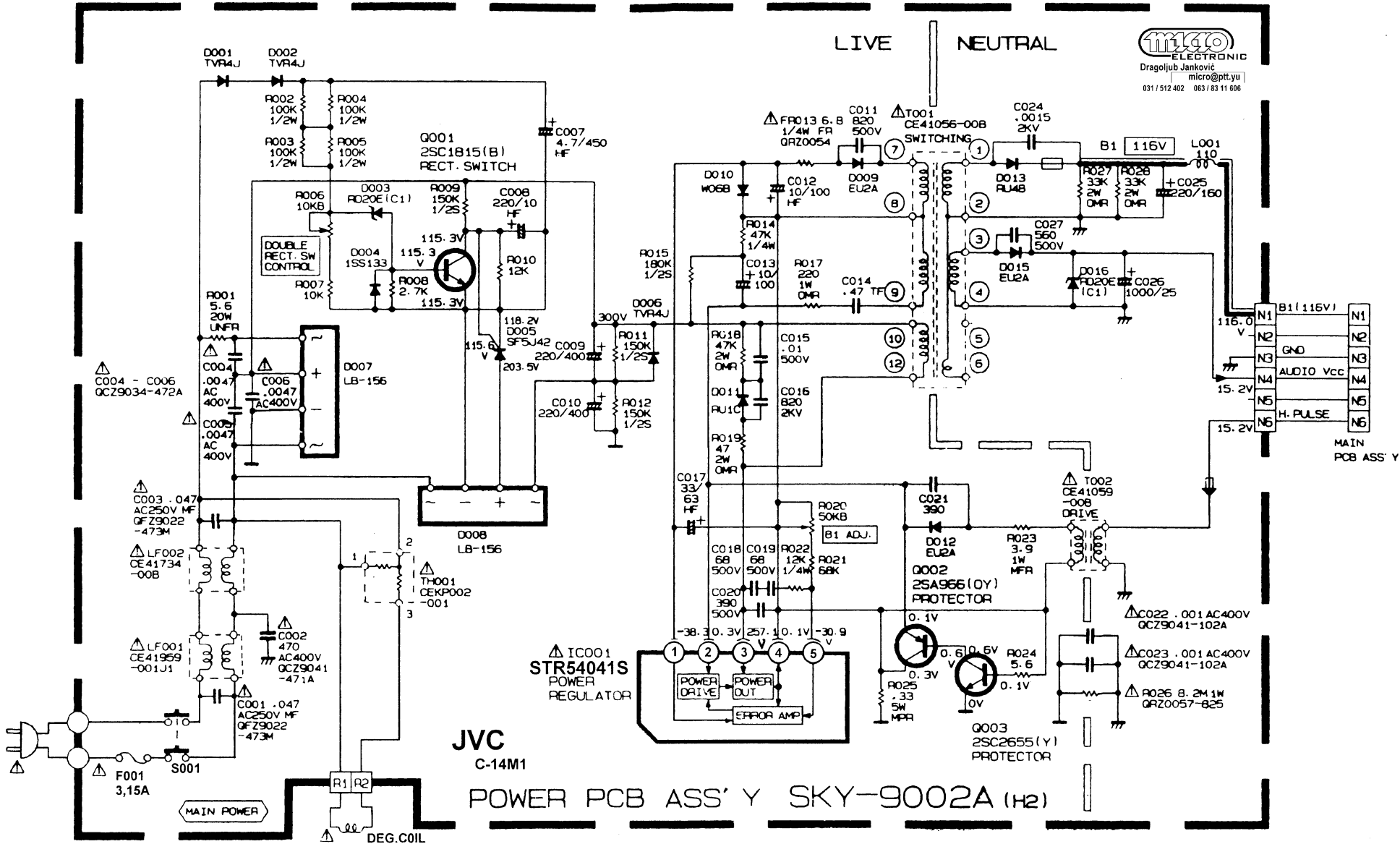
H. PULSE

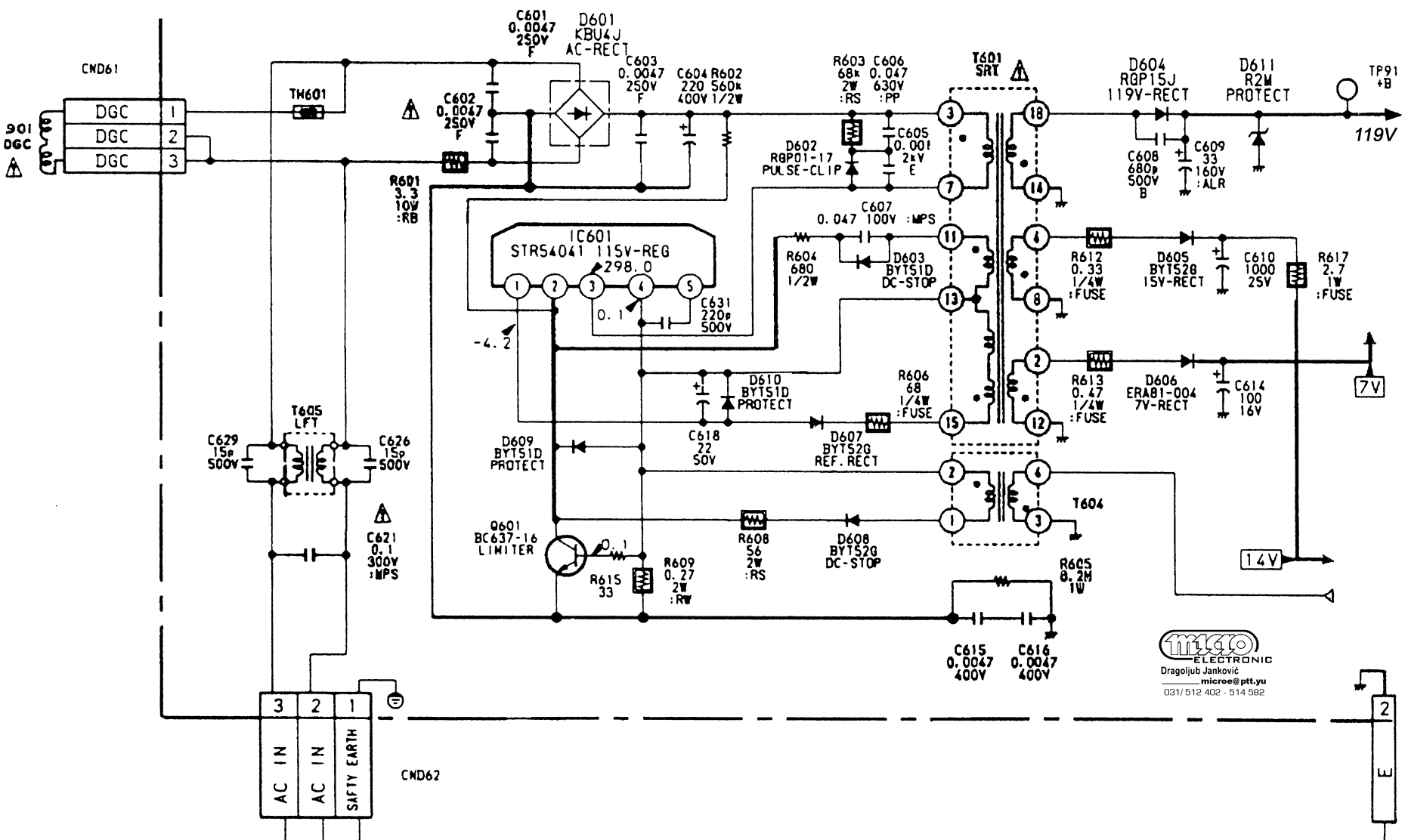




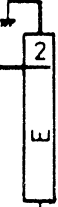
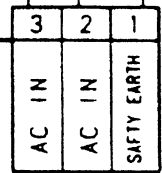


SBX-1354 A
MAIN PCB ASS'Y

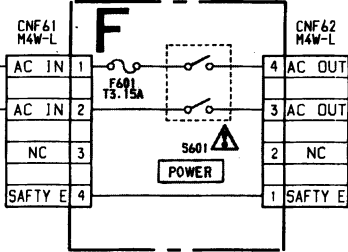





 MICO ELECTRONIC
 Dragoljub Janković
 microe@ptt.yu
 031/512 402 - 514 582



AC IN



micro
ELECTRONIC
Dragoljub Janković
microe@ptt.yu
031/512 402 - 514 582

