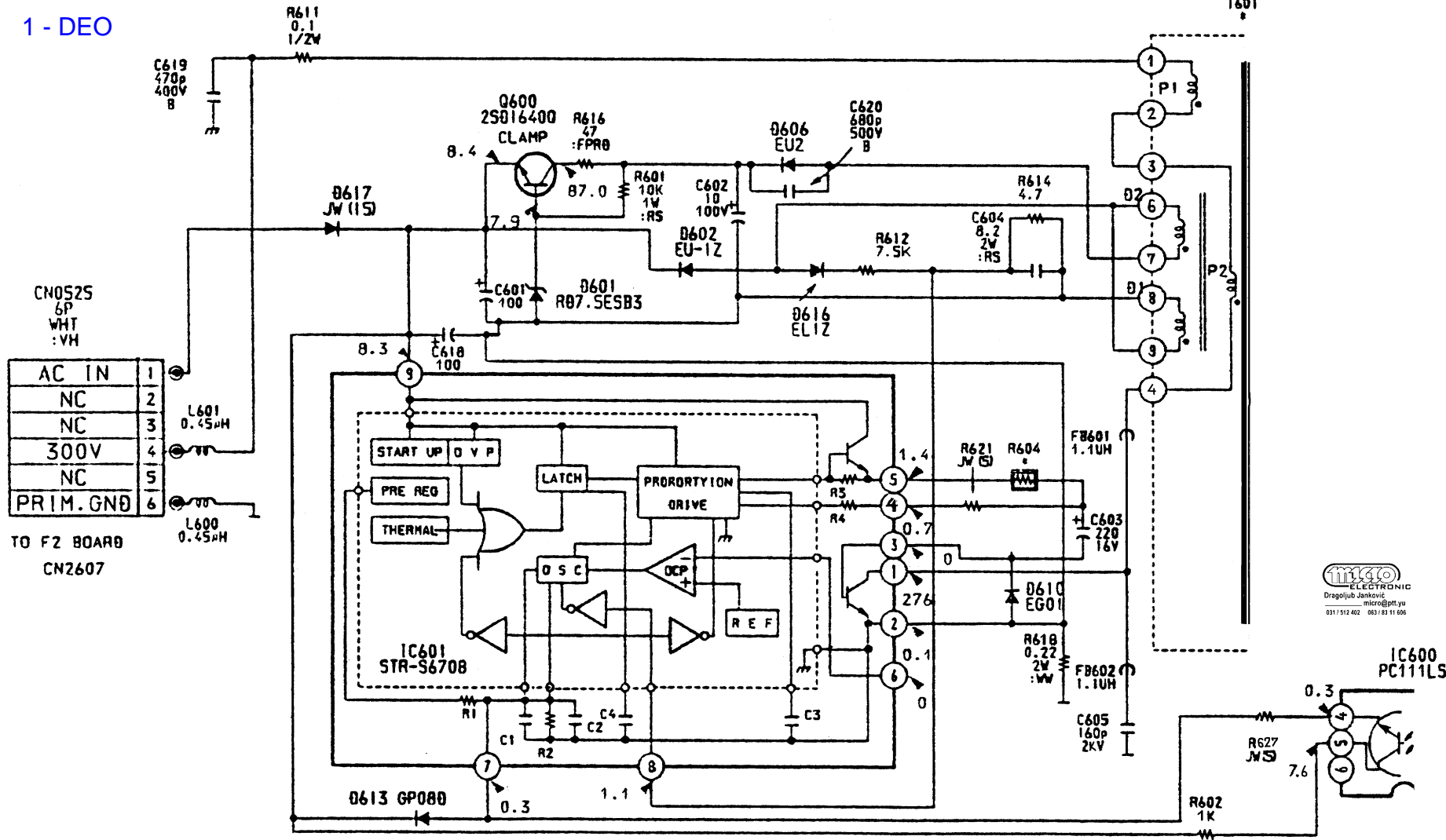


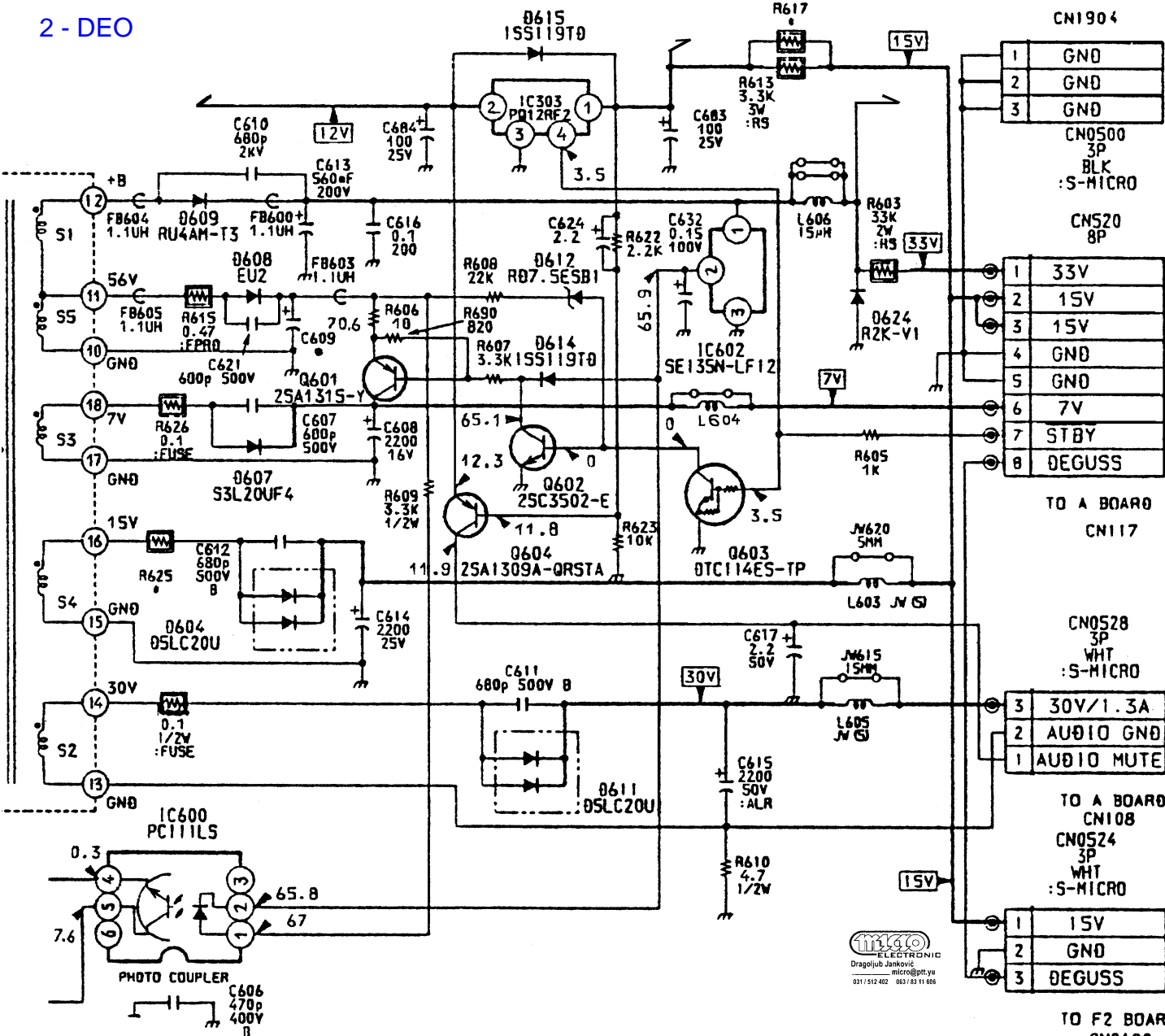

DRAGOJUB JANKOVIĆ
 ELEKTRONIC
 031 / 512 402 031 / 83 11 606
 micro@pjt.yu

1 - DEO



IC600
PC111LS

2 - DEO



CN1904

1	GND
2	GND
3	GND

CN0500
3P
BLK
:S-MICRO

CN520
8P

1	33V
2	15V
3	15V
4	GND
5	GND
6	7V
7	STBY
8	DEGUSS

TO A BOARD
CN117

CN0528
3P
WHT
:S-MICRO

3	30V/1.3A
2	AUDIO GND
1	AUDIO MUTE

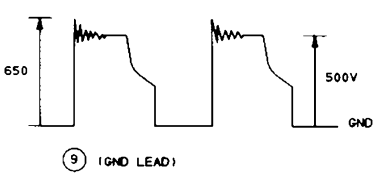
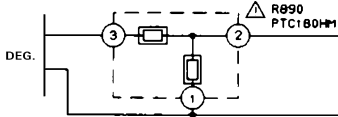
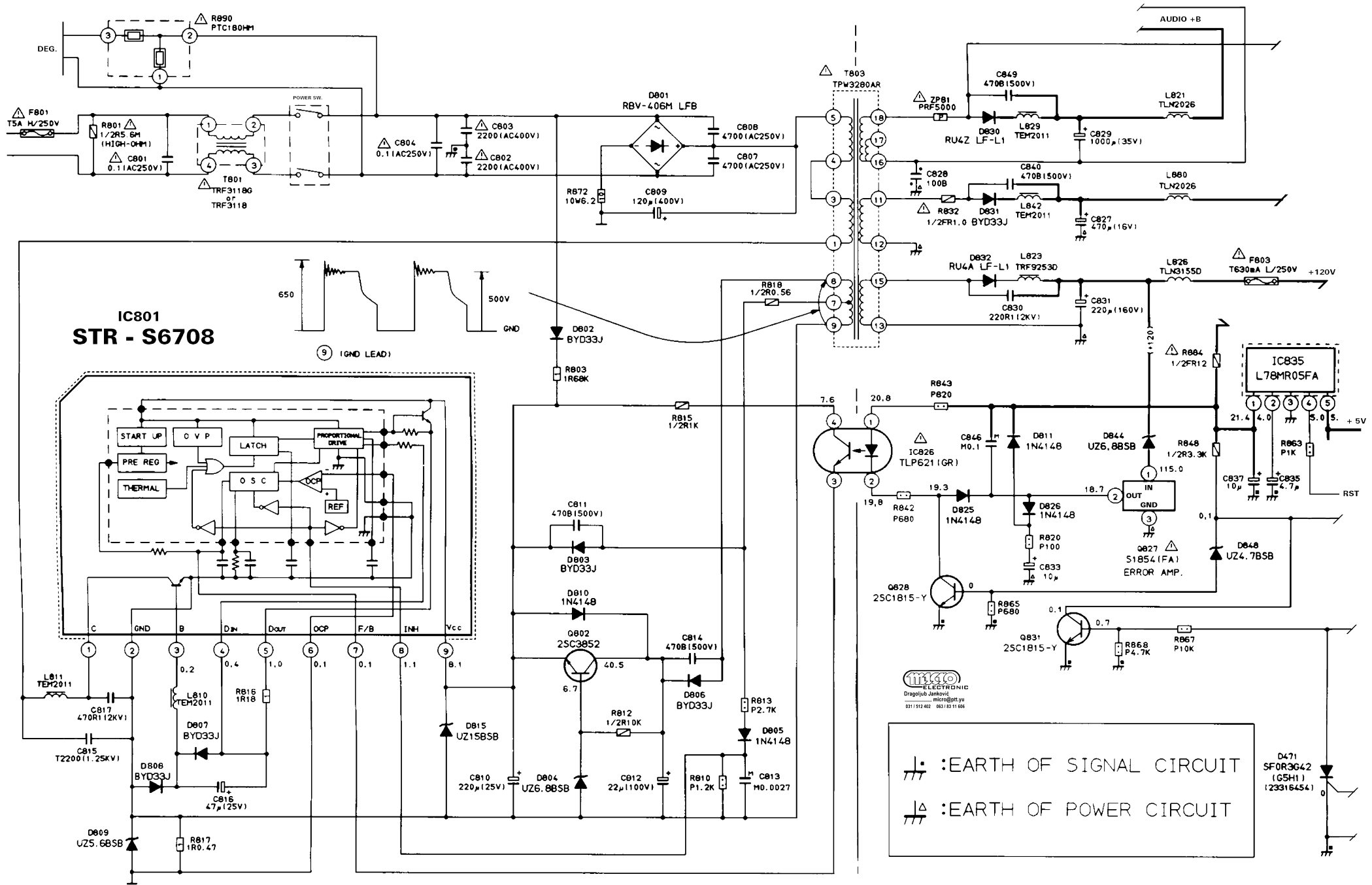
TO A BOARD
CN108

CN0524
3P
WHT
:S-MICRO

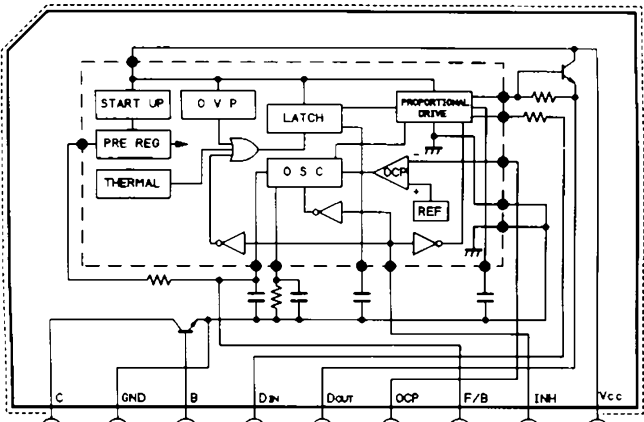
1	15V
2	GND
3	DEGUSS

TO F2 BOARD
CN2602





**IC801
STR - S6708**



IMAGO
ELECTRONIC
Dragoлюб Jankovic
microdigit@pt.yu
031/512 402 031/83 11 606

△ : EARTH OF SIGNAL CIRCUIT
□ : EARTH OF POWER CIRCUIT

D471
SF0R3G42
(G5H1)
(23316454)

