

KV-M1620E/M1621E

RM-694

SERVICE MANUAL

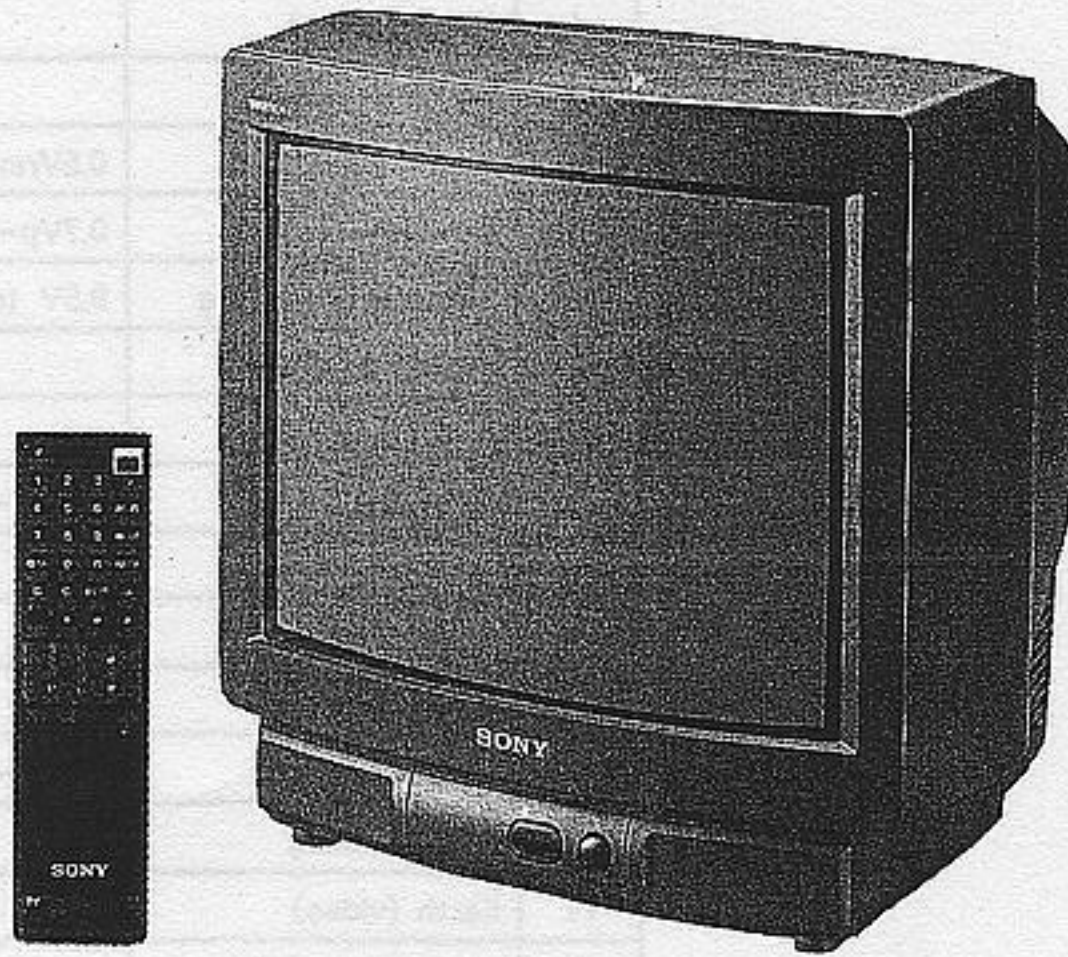
Spanish Model

KV-M1620E

Chassis NO. SCC-D87C-A

KV-M1621E

Chassis NO. SCC-D87D-A



BE-2A CHASSIS

MODELS OF THE SAME SERIES

KV-M1620E/M1621E	
KV-M1420E/M1421E	

SPECIFICATIONS

【KV-M1620E/M1621E】

Television system	B/G/H
Color system	PAL
Channel coverage	VHF : E2-E12 UHF : E21-E69
Picture tube	Trinitron tube 90°-degree deflection Approx. 40.1 cm (16 inches) (Approx. 37.3cm picture measured diagonally)
Inputs	21-pin connector : CENELEC standard
Outputs	21-pin connector : CENELEC standard Earphones jack : minijack
Sound output	5 W (Music)
Power consumption	54 Wh (KV-M1620E) 59.5 Wh (KV-M1621E)
Dimensions	Approx. 399x413x365 mm (w/h/d)
Weight	Approx. 12.5 kg

【RM-694】

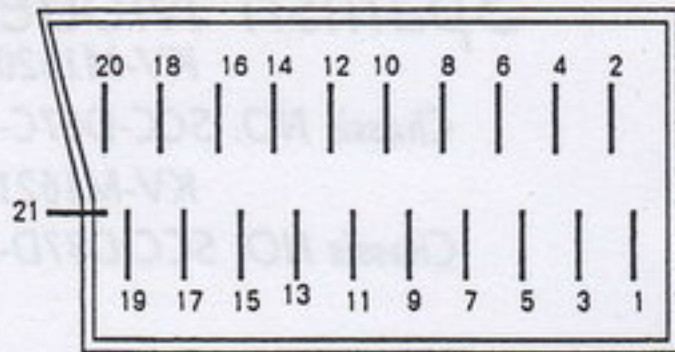
Remote control system	infrared control
Power requirements	3V dc 2 batteries IEC designation R6 (size AA)
Dimensions	Approx. 55×18×185mm (w/h/d)
Weight	Approx. 100g including batteries
Accessories supplied	IEC designation R6 batters (2)
Supplied accessories	RM-694 Remote Commander (1) IEC designation R6 batteries (2)

Design and specifications are subject to change without notice.



TRINITRON® COLOR TV
SONY®

21-pin Euro Connector Configuration



PIN	SIGNAL	SPECIFICATION
1	Audio output	0.5Vrms/1kilohm or less
2	Audio input	0.5Vrms/10kilohms or more
3	Audio output	0.5Vrms/1kilohm or less
4	Earth (audio)	
5	Earth (B-input)	
6	Audio input	0.5Vrms/10kilohms or more
7	B-input	0.7Vp-p/75ohms
8	Function switching	9.5V to 12V
9	Earth (G-input)	
10		
11	G-input	0.7Vp-p/75ohms
12		
13	Earth (R-input)	
14	Earth (blanking)	
15	R-input	0.7Vp-p/75ohms
16	Fast blanking	1V to 3V/75ohms
17	Earth (video)	
18	Earth (fast blanking)	
19	Video output	1Vp-p/75ohms
20	Video input	1Vp-p/75ohms
21	Screening plug	

SAFETY-RELATED COMPONENT WARNING !!


COMPONENTS IDENTIFIED BY SHADING AND MARK  ON THE SCHEMATIC DIAGRAMS, EXPLODED VIEWS AND IN THE PARTS LIST ARE CRITICAL TO SAFE OPERATION. REPLACE THESE COMPONENTS WITH SONY PARTS WHOSE PART NUMBERS APPEAR AS SHOWN IN THIS MANUAL OR IN SUPPLEMENTS PUBLISHED BY SONY.

TABLE OF CONTENTS

<u>Section</u>	<u>Title</u>	<u>Page</u>
1. GENERAL		
1-1.	Index of the parts	4
1-2.	To preset channels	5
1-3.	Daily use of the TV	5
1-4.	Picture and Sound Adjustment	6
1-5.	Viewing Teletext.....	6
2. DISASSEMBLY		
2-1.	Rear Cover Removal	7
2-2.	V Board Removal	7
2-3.	Service Position	7
2-4.	Picture Tube Removal	8
3. SET-UP ADJUSTMENTS		
3-1.	Beam Landing	9
3-2.	Covergence	10
3-3.	Focus.....	11
3-4.	Screen (G2) and White Balance.....	12
4. CIRCUIT ADJUSTMENTS		
4-1.	A Board Adjustments	12
4-2.	V Board Adjustments	13
5. DIAGRAMS		
5-1.	Circuit Boards Location	14
5-2.	Schematic Diagrams and Printed Wiring Boards ..	15
5-3.	Semiconductors	25
6. EXPLODED VIEW		
6-1.	Rear Cover	26
7. ELECTRICAL PARTS LIST		
	PARTS LIST (RM-694)	35

Note) The layout, etc., will be slightly different from the operating instructions packed with the units.

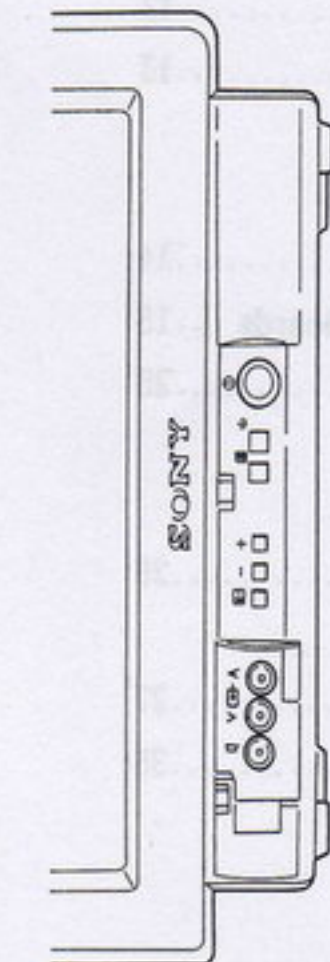
SECTION 1 GENERAL

1-1. INDEX OF THE PARTS

In the following you will find a short description of the parts and their function on the set or on the remote commander using the respective symbols. For more details refer to the page number given in the index.

TV set

Symbol	Function
	Headphones jack (mini-jack)
	Video input jack
	Audio input jack
	Buttons for Sound and picture adjustment
	Programme scanning buttons
	Remote control detector
	Standby indicator
	Power switch
	Aerial socket (rear of the set)
	21-Pin connector (rear of the set)

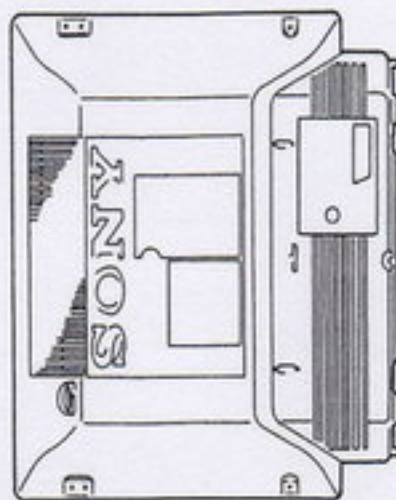


TV set

Front

Pull to open
the panel

Rear



Remote Commander

Remote Commander



Symbol	Function
	Mute button
1-9, 0, -/-	Number buttons - in case of two digit numbers first press button -/- and then two number buttons
	Button has no function
	Select button for picture adjustment item
+/-	Buttons for adjustment picture items
	Buttons for manual fine tuning of a channel
	Button for resetting the picture adjustment items to standard
C	Button for clearing a programme position (in preset mode)
	Functions only in combination with other buttons
	Preset mode on/off buttons
	Buttons for switching the TV set into standby mode
	Used to return to TV-mode from standby and video input modes
	Button for selecting the video input mode
	On/off button for onscreen display
	Time feature (only for KV-M1621E)
PROGR +/-	Programme scanning buttons
	Buttons for adjusting the volume
	Button for activating the sleep timer

Note

Buttons not referred to in this index have no function.

1-2. TO PRESET CHANNELS

The control buttons to preset channels are located on the Remote Commander. (Up to 60 programme positions are at your disposal.)

- 1 Press the power switch on the set to switch it on.
- 2 Press both the \uparrow (shift) button and the \rightarrow (preset) button simultaneously. You are now in the preset mode.
- 3 Use either button **PROGR +** (upwards) or **PROGR -** (downwards) to select the required programme position.
- 4 Press both the \uparrow button and the \rightarrow or \leftarrow button repeatedly until the desired TV station is found.
- 5 Repeat steps 3 and 4 for all other channels.
- 6 Press once more both the \uparrow button and the \rightarrow (preset) button in order to return to the TV mode and to store the channels.

Skipping of programme positions

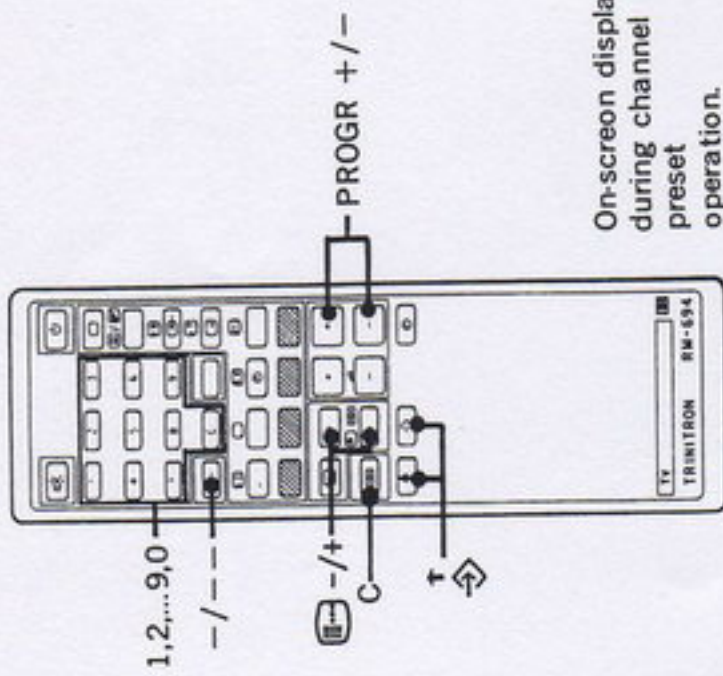
Using both the button **C** and the \uparrow button you have the possibility to skip unused programme positions (e.g. without a stored station) when pressing the **PROGR +/-** buttons.

- 1 Press both the \uparrow button and the \rightarrow (preset) button to select the preset mode.
- 2 Select the programme position to be skipped by pressing the **+** or **-** **PROGR** button.
- 3 Press the **C** button.
- 4 Press both the \rightarrow (preset) button and the \uparrow button to return to the TV mode.

Manual Fine Tuning

If the reception of a channel is not satisfactory you have the possibility to deactivate the Automatic Fine Tuning which usually tunes in the best possible picture during presetting.

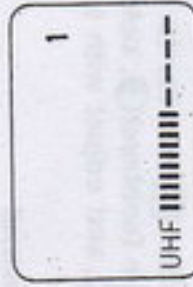
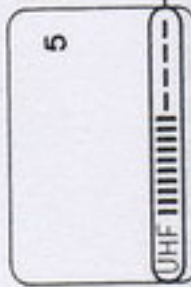
Press both the \uparrow button and the \rightarrow or \leftarrow button to fine tune the channel. By pressing the respective programme number the automatic Fine Tuning will be restored.



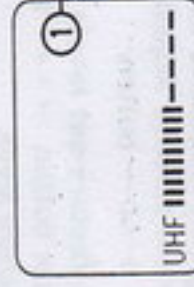
On-screen display during channel preset operation.

Programme position flashes.

Indicates the approximate location in the band of the channel being tuned in.



Programme number stops flashing.



On-screen display after presetting.



1-3. DAILY USE OF THE TV

Your TV set is supposed to be operated with the Remote Commander, for the basic functions however it is also possible to use the buttons on the set itself.

- **Switching the set on**
Press the power switch on the set to switch the TV on. If the set is switched on, the green indicator on the set lights up, if it is in standby mode the red indicator lights up (see also 'Standby mode').
- **Switching the set off**
Press the power switch on the set to switch the TV off.
- **Selection of programmes**
Press the respective number button 1, 2, ..., 9 on the remote commander.
In the case of two digit numbers, first press button **- / -** and then the two respective number buttons.
With the **PROGR +/-** buttons you can scan the programme positions (**+** upwards, **-** downwards).

On the Set

Press the **-** button for lower programme positions and the **+** button for higher ones.

- **Standby mode**

There are two possibilities to put the set into standby mode.

1. Directly

Press the button \rightarrow on the remote commander. The red indicator \rightarrow on the set lights up.

Note:

Use the standby button only for short breaks. If the set will not be used for a longer time span, use the power switch \rightarrow to switch the set off.

2. By using the sleep timer

Press the \rightarrow button repeatedly until the required time period is displayed on the screen (30, 60, 90 or 0 for cancelling of the operation).

In this way you can select the time period after which the set switches itself automatically into standby mode.

Switching the set on out of standby mode

Press the \rightarrow button or one of the number buttons on the remote commander.

- **On-screen display**

Press the \rightarrow button to display the programme number on the screen and press the button once more to make (only for KV-M1621E) it disappear.

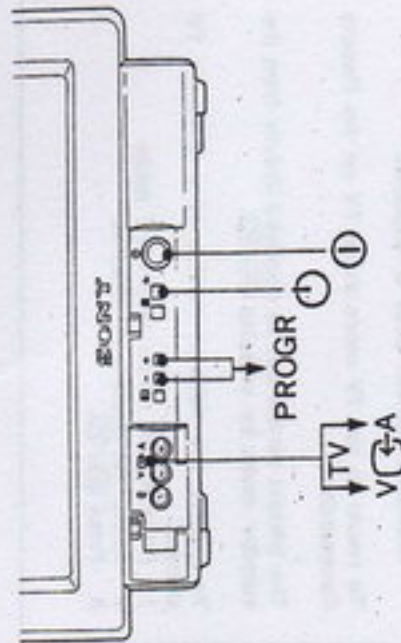
- **Time feature (KV-M1621E only)**

In TV-mode, if teletext is broadcast on the selected channel, press the button \rightarrow to display the current time.

- **Selecting the signal of the connected device**

Press the \rightarrow button to receive the signal of the device (e.g. a video recorder) connected at the VCA connectors or the 21-pin connector (rear of the set).

Press the \rightarrow button to return to the TV mode.



1-4. PICTURE AND SOUND ADJUSTMENTS

• Volume

Press the button \blacktriangle + to increase the volume and the button \blacktriangledown - to decrease it.

On the set

Press the \square button until \triangle is displayed on the screen and adjust the volume with the - or + button.

• Modification of the picture presettings

Press the \square button on the commander to select either contrast \odot , colour intensity \odot , or brightness \odot (the respective indication is displayed on the screen). Adjust the settings by pressing the + or - button.

To return to factory-set levels

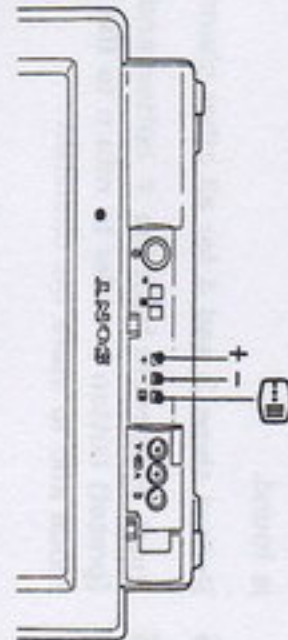
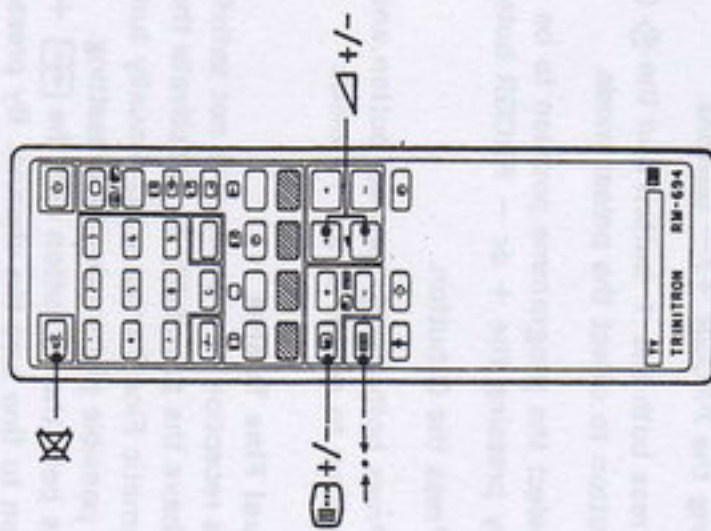
Press the reset button $\rightarrow \leftarrow$ to return to the preset picture levels.

On the set

Press the button \square in order to select the requested item (contrast \odot , colour intensity \odot , brightness \odot), and adjust with the + or - button.

• Muting the sound

Press the \square button to switch off the sound. Press the button again to restore the sound.



1-5. VIEWING TELETEXT (KV-M1621E only)

To view the teletext service, use the Remote Commander. RM-694 has teletext buttons indicated in green; teletext operation is indicated in green.

Operation

- 1 Select the TV channel for the desired teletext service.
- 2 Press \square / \square (TEXT/MIX) to display the teletext service. Once \square / \square has been pressed, the TV channel cannot be changed.
- 3 Key in the three digits for the desired page using the number buttons. If an error is made, complete the three digit sequence by keying in any digit. Then re-enter the correct page number. The requested teletext page is displayed.

To return to the TV mode, press TV on the Remote Commander.

The teletext service can be displayed directly from the standby mode, by pressing \square / \square .

To receive the teletext service of a different TV channel.

- 1 Press TV to return to the TV mode.
- 2 Select the desired TV channel.
- 3 Press \square / \square .

To display the index page.

Press \square (INDEX). If the necessary signal is not being broadcast, page 100 is displayed.

To access the next or preceding page

Press \square (PAGE+) or \square (PAGE-).

These buttons are indicated in white on the Commander.

To superimpose the teletext display on the TV picture.

Press \square / \square twice from TV mode.

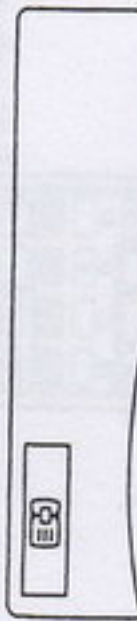
Press \square / \square again to return to the TEXT display.

To suppress the teletext display so that the TV picture is displayed.

Press \square (TEXT CL). This button can be operated from both the TEXT and MIX displays.

To prevent a teletext page (subpage) from being updated / changed.

Press \square HOLD. The HOLD symbol " \square " appears at the top left of the screen.



To resume normal teletext reception, press \square / \square .

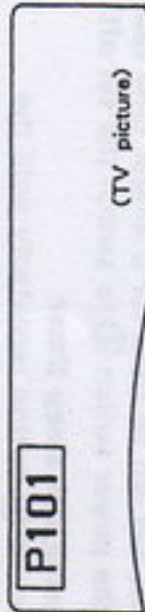
To enlarge the teletext display. Press \square . Press once to enlarge the upper half of the display; press again to enlarge the lower half of the display; press again to return to the normal display.

To reveal concealed information such as the answers to a quiz. Press \square (REVEAL). Press again to conceal the answers.

To adjust the contrast of the teletext display. Press \square + or - button.

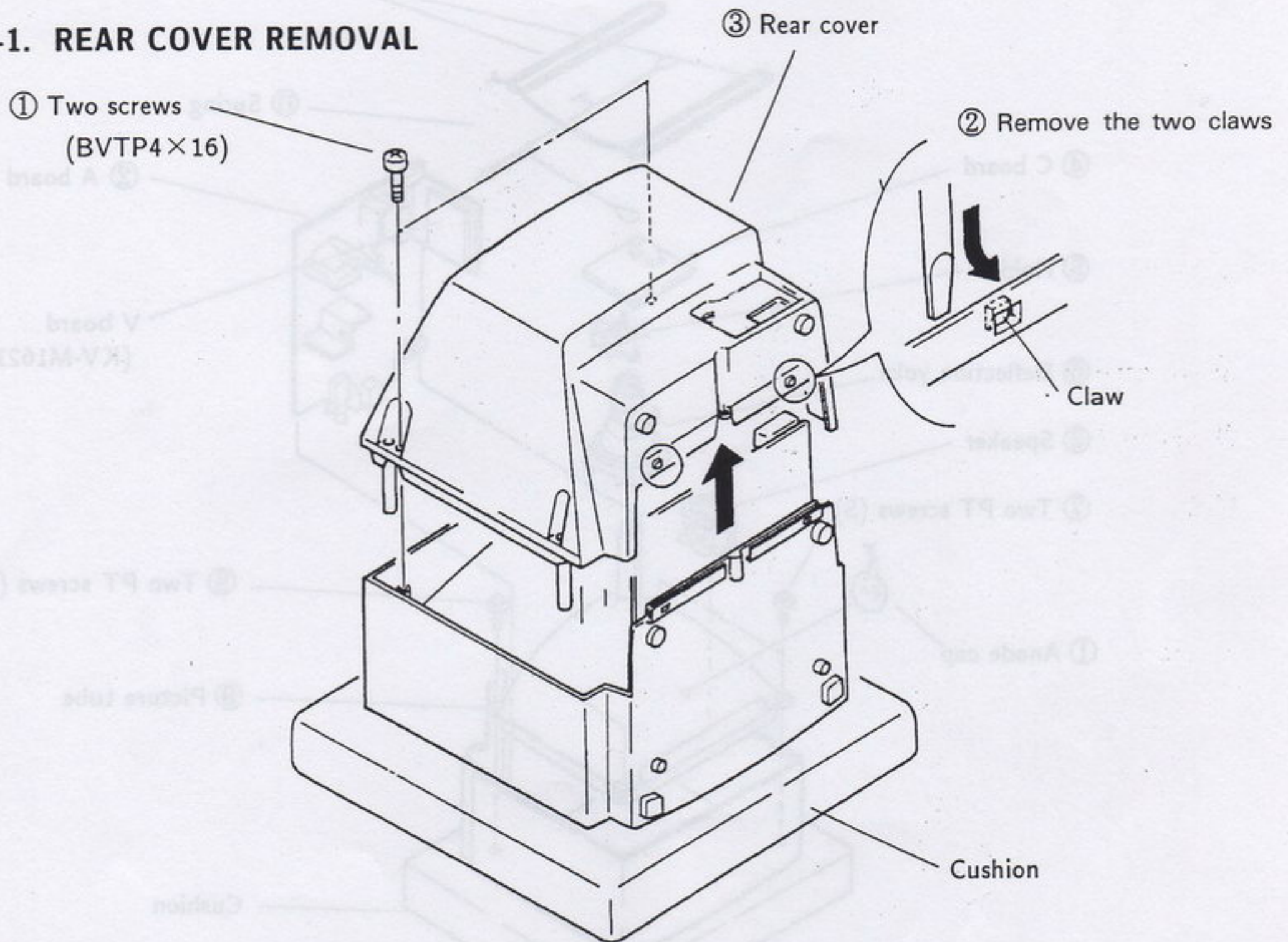
To watch the TV program while waiting for a requested page to be displayed.

- 1 Request the new page.
- 2 Press \square to watch the TV program. The requested page number appears at the top left of the screen. When the requested page has been found, the page number is displayed on the top left hand corner of the screen.

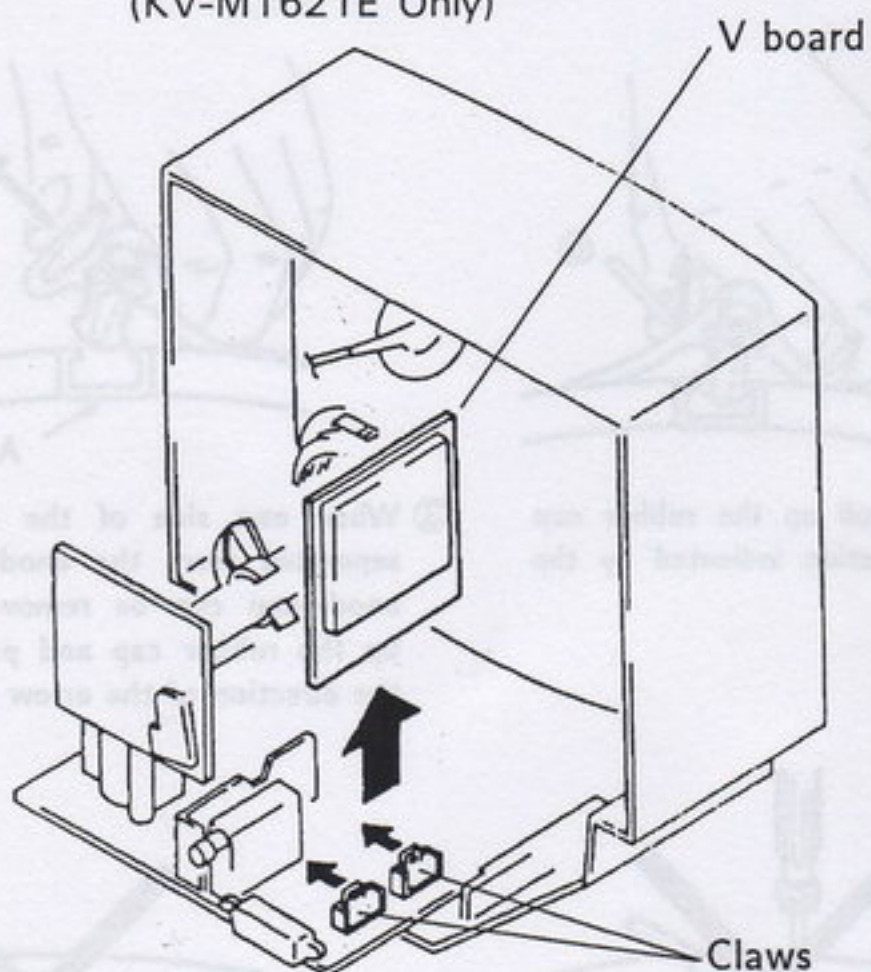


SECTION 2 DISASSEMBLY

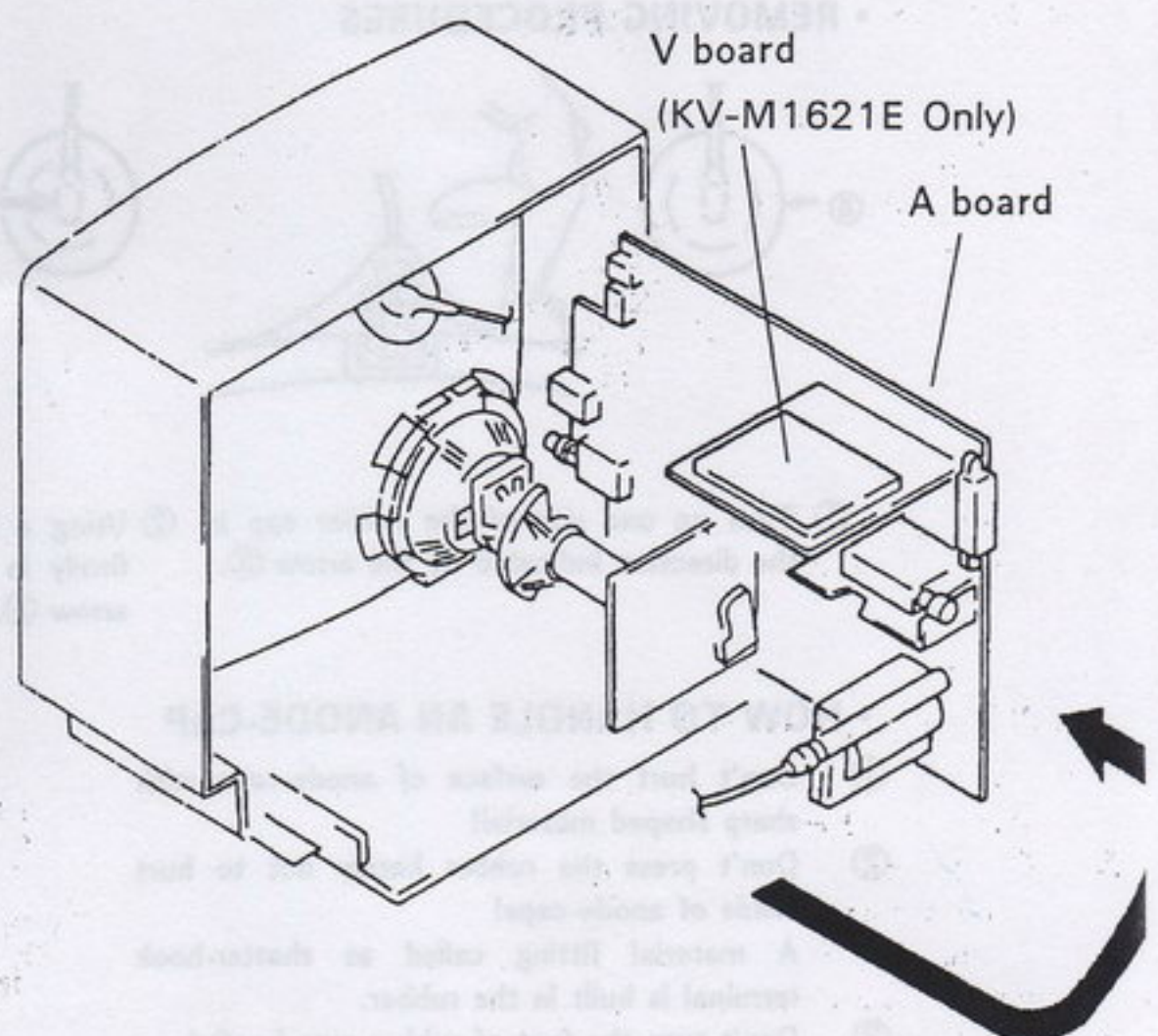
2-1. REAR COVER REMOVAL



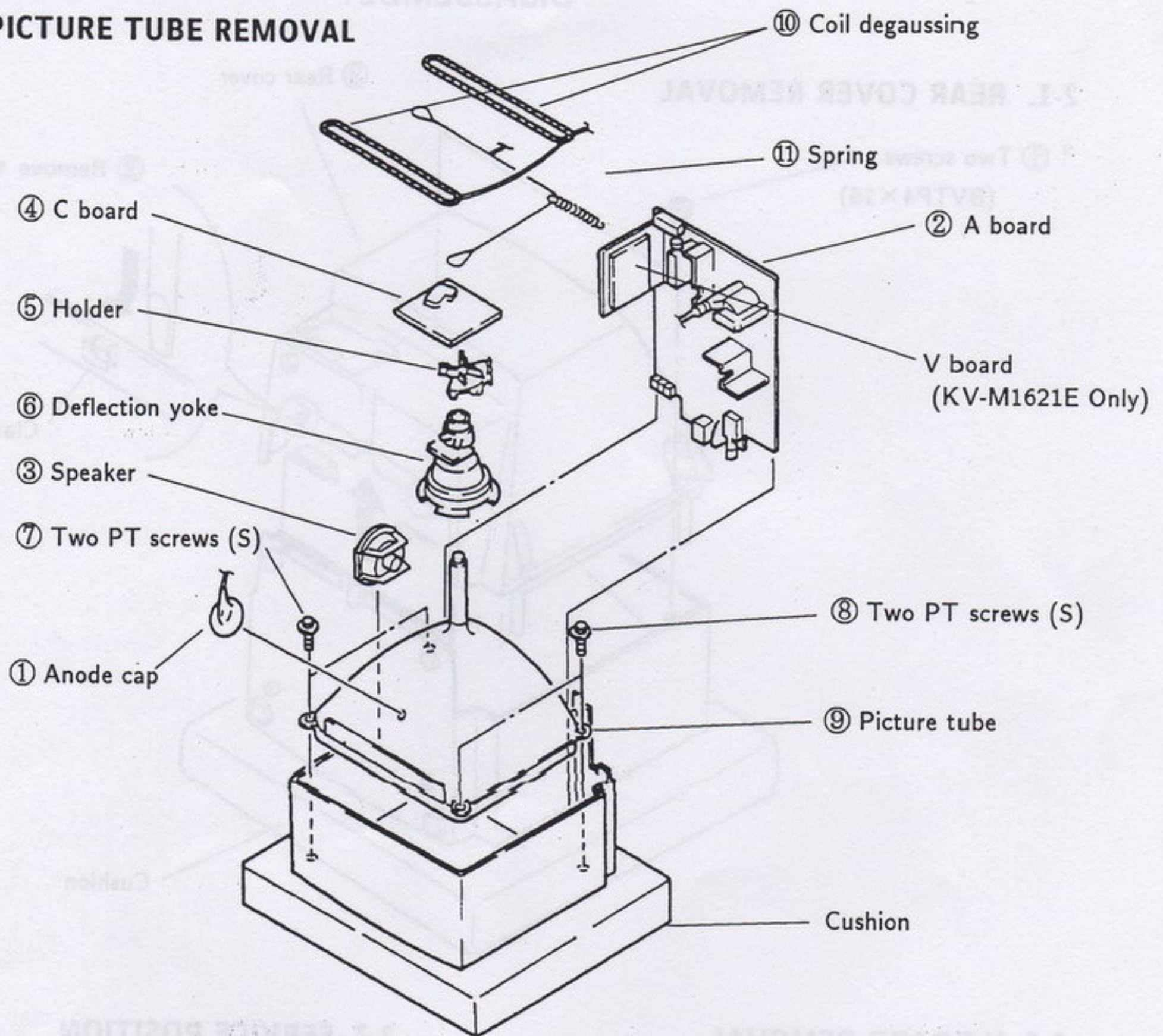
2-2. V BOARD REMOVAL (KV-M1621E Only)



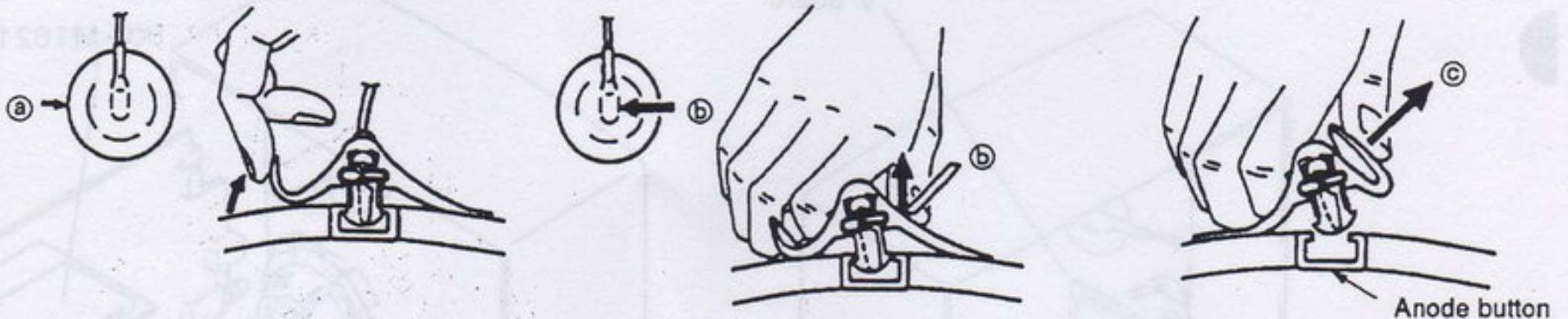
2-3. SERVICE POSITION



2-4. PICTURE TUBE REMOVAL



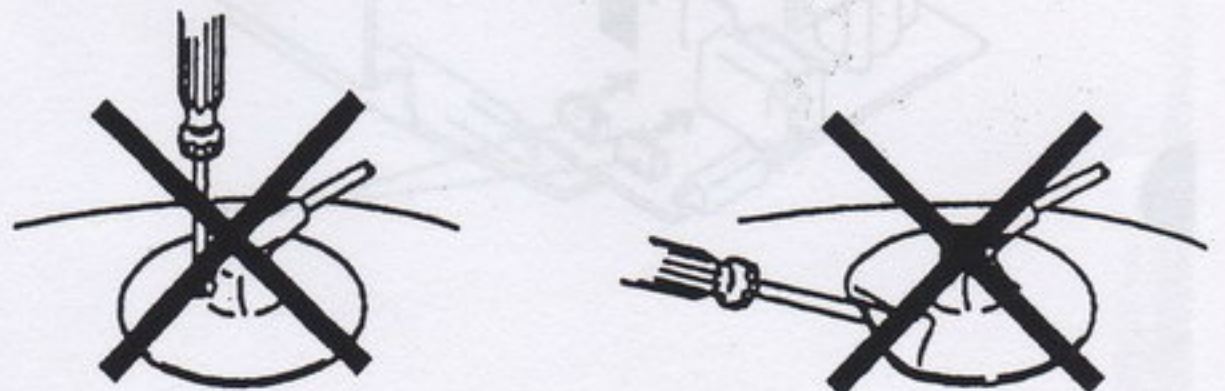
• REMOVING PROCEDURES



- ① Turn up one side of the rubber cap in the direction indicated by the arrow (a).
- ② Using a thumb pull up the rubber cap firmly in the direction indicated by the arrow (b).
- ③ When one side of the rubber cap is separated from the anode button, the anode-cap can be removed by turning up the rubber cap and pulling up it in the direction of the arrow (c).

• HOW TO HANDLE AN ANODE-CAP

- ① Don't hurt the surface of anode-caps with sharp shaped material!
- ② Don't press the rubber hardly not to hurt inside of anode-caps!
A material fitting called as shatter-hook terminal is built in the rubber.
- ③ Don't turn the foot of rubber over hardly!
The shatter-hook terminal will stick out or hurt the rubber.



SECTION 3

SET-UP ADJUSTMENTS

- The following adjustments should be made when a complete realignment is required or a new picture tube is installed.
- These adjustments should be performed with rated power supply voltage unless otherwise noted. The controls and switch below should be set as follows unless otherwise noted :

- CONTRAST control 80% (or Normal by commander)
- BRIGHTNESS control 50%

Perform the adjustments in order as follows:

Preparation:

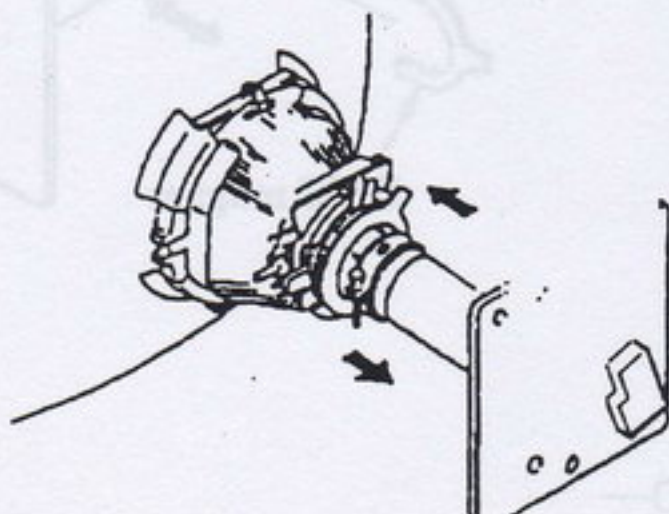
- Set the side of the unit with the PICTURE TUBE so that it faces east or west in order to reduce the influence of external magnetic force.
- Turn the power switch for the unit ON and erase the magnetic force using a degausser..

3-1. BEAM LANDING

Demagnetize with a degausser

1. Input a raster signal with the pattern generator.

CONTRAST	}	normal
BRIGHTNESS		
2. Turn the raster signal of the pattern generator to red.
3. Move the deflection yoke backward, and adjust with the purity control so that red is in the center and blue and green are at the sides evenly. (Fig.3-1 - 3-3)
4. Move the deflection yoke forward, and adjust so that the entire screen becomes red. (Fig.3-1)
5. Switch over the raster signal to blue and blue and confirm the condition.
6. When the position of the deflection yoke is determined, tighten it with a deflection yoke mounting screw.
7. When landing at the corner is not right, adjust by using the disk magnets. (Fig.3-4)



1. Beam Landing
2. Convergence
3. Focus
4. Screen (G 2) and White Balance

Note: Test Equipment Required.

1. Color bar/Pattern Generator
2. Degausser
3. DC Power Supply
4. Digital multimeter
5. Oscilloscope

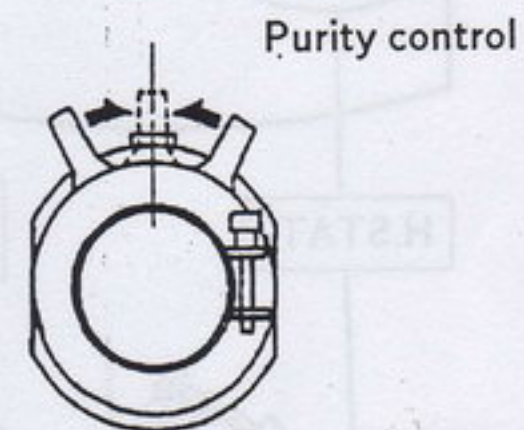


Fig.3-2

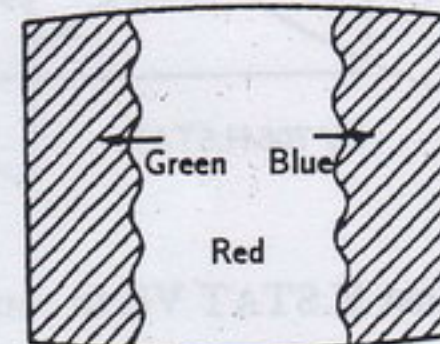


Fig.3-3

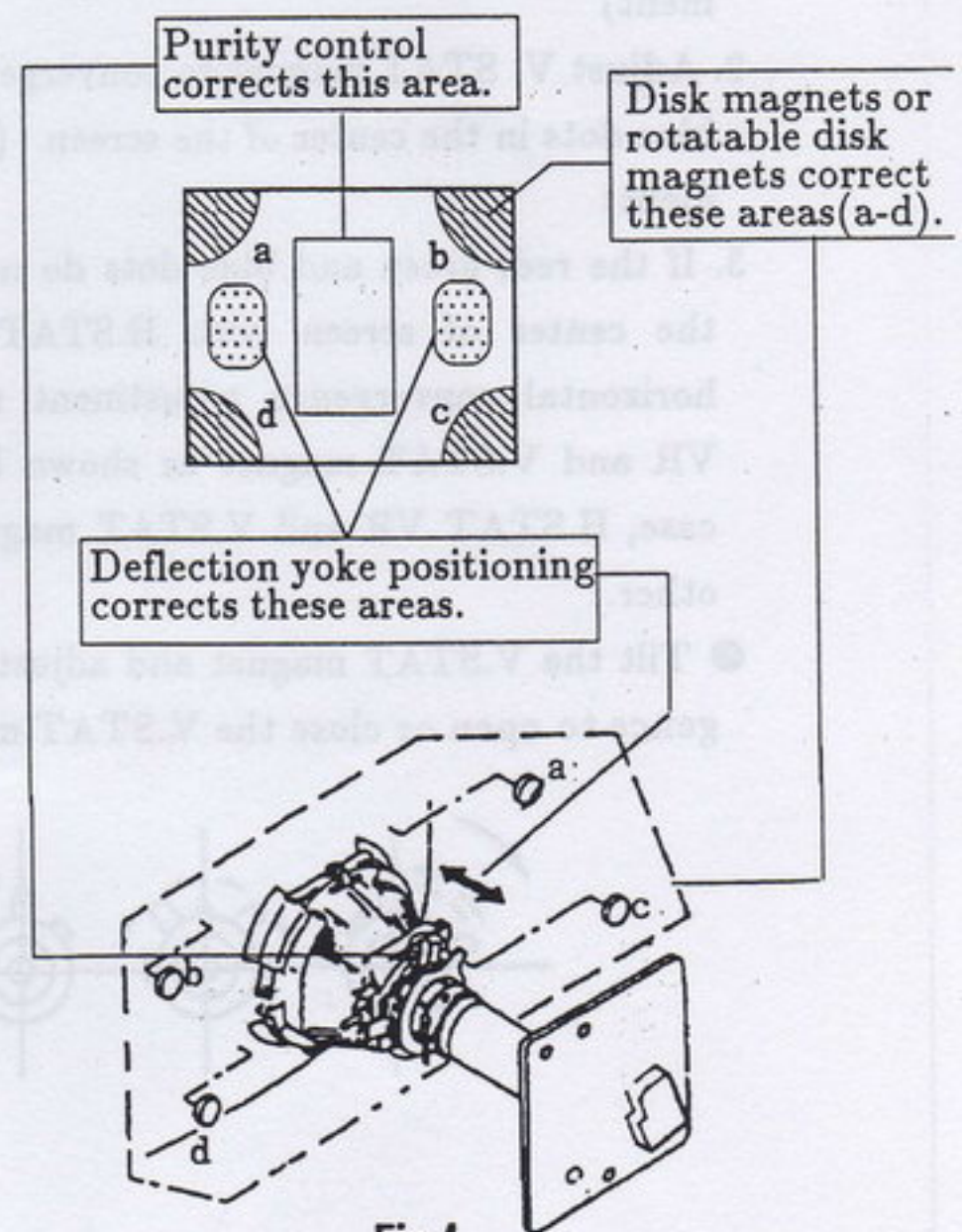


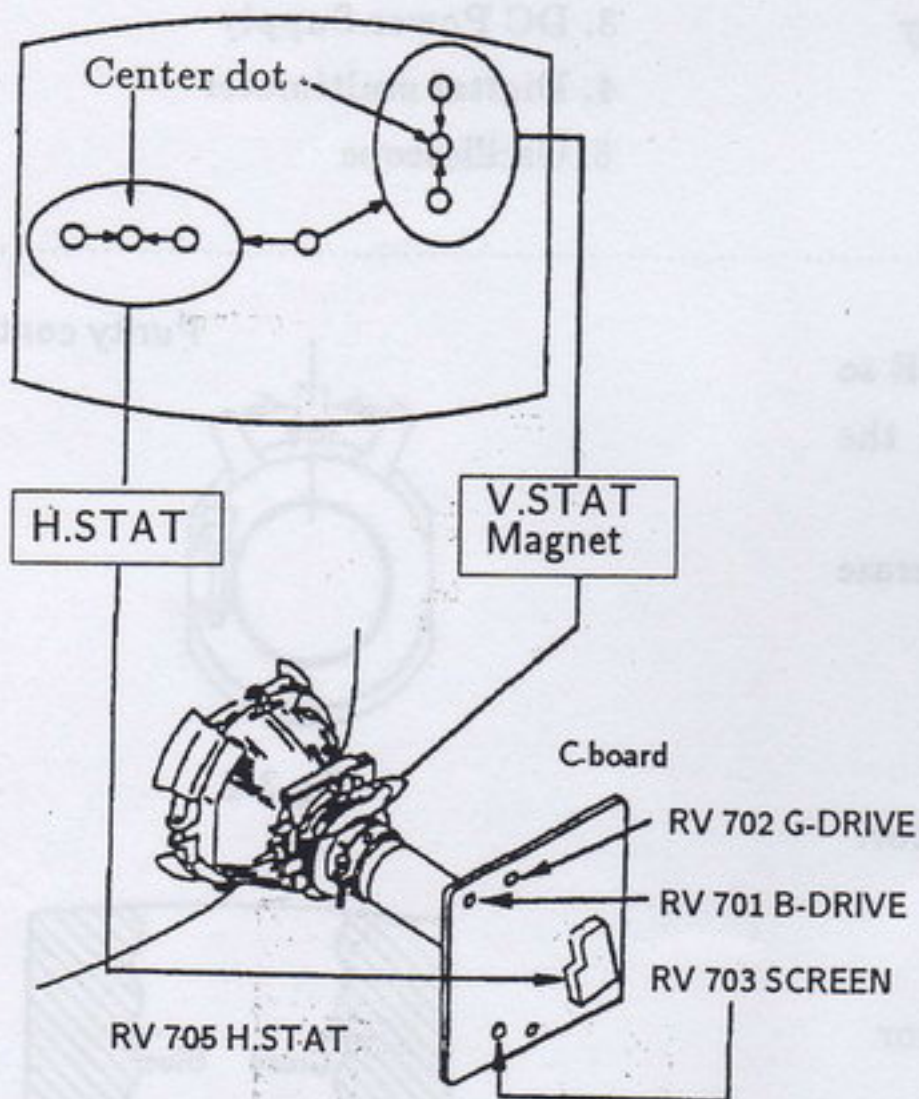
Fig.4

3-2. CONVERGENCE

Preparation:

- Before starting, perform FOCUS, H.SIZE, and V. SIZE adjustments.
- Set BRIGHTNESS control to minimum.
- Feed in the dot pattern.

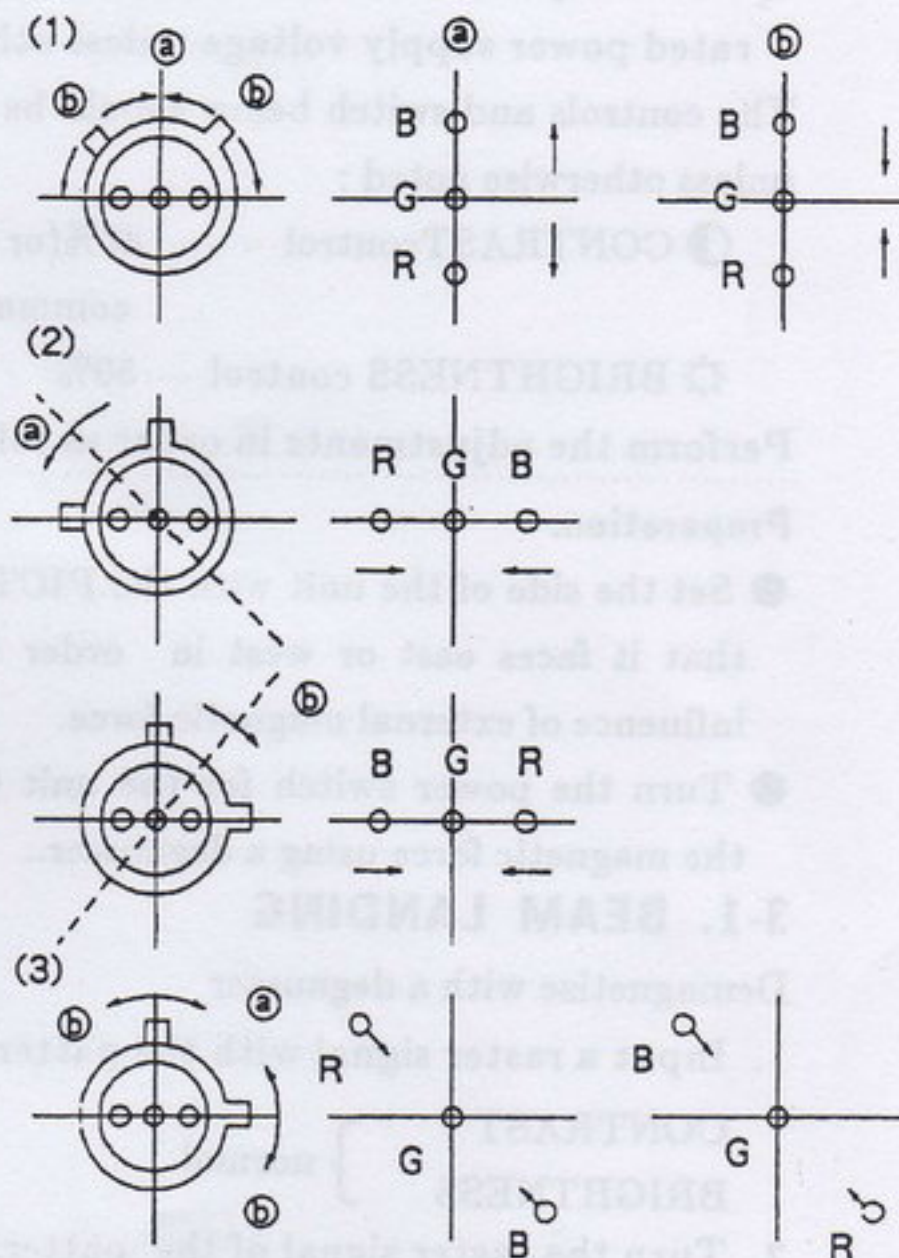
(1) Horizontal and Vertical Static Convergence



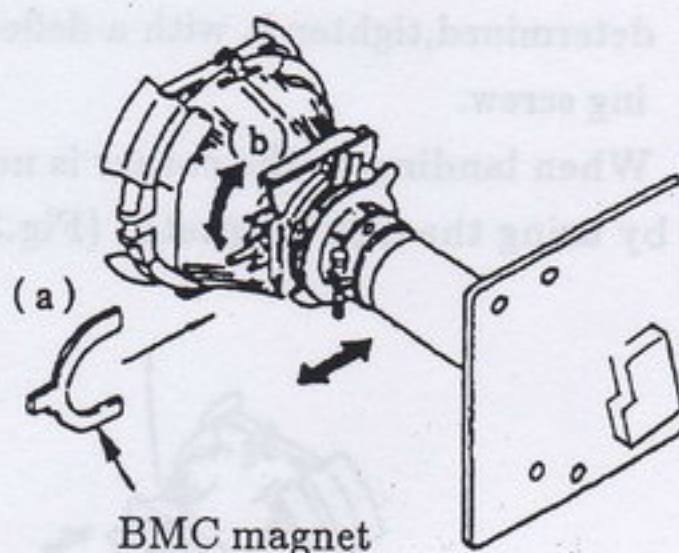
1. Adjust H.STAT VR to converge red, green and blue dots the in center of the screen.(Horizontal movement)
 2. Adjust V. STAT magnet to converge red, green and blue dots in the center of the screen. (Vertical movement)
 3. If the red, green and blue dots do not converge on the center of screen with H.STAT VR, perform horizontal convergence adjustment using H.STAT VR and V.STAT magnet as shown below. (In this case, H.STAT VR and V.STAT magnet effect each other.)
- Tilt the V.STAT magnet and adjust static convergence to open or close the V.STAT magnet.



4. When the V.STAT magnet is moved in the direction of arrow (a) and (b), red, green and blue dot move as shown below.



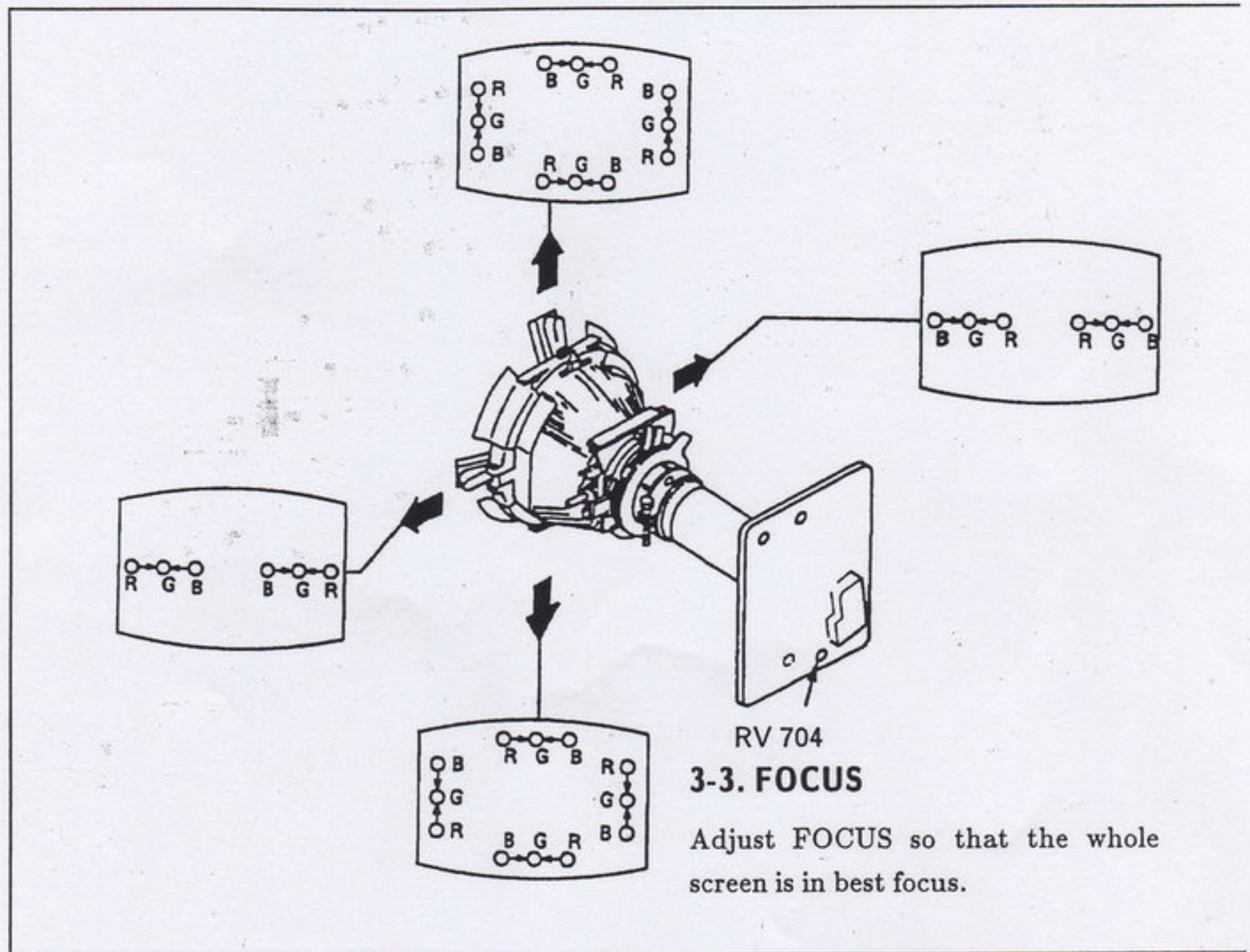
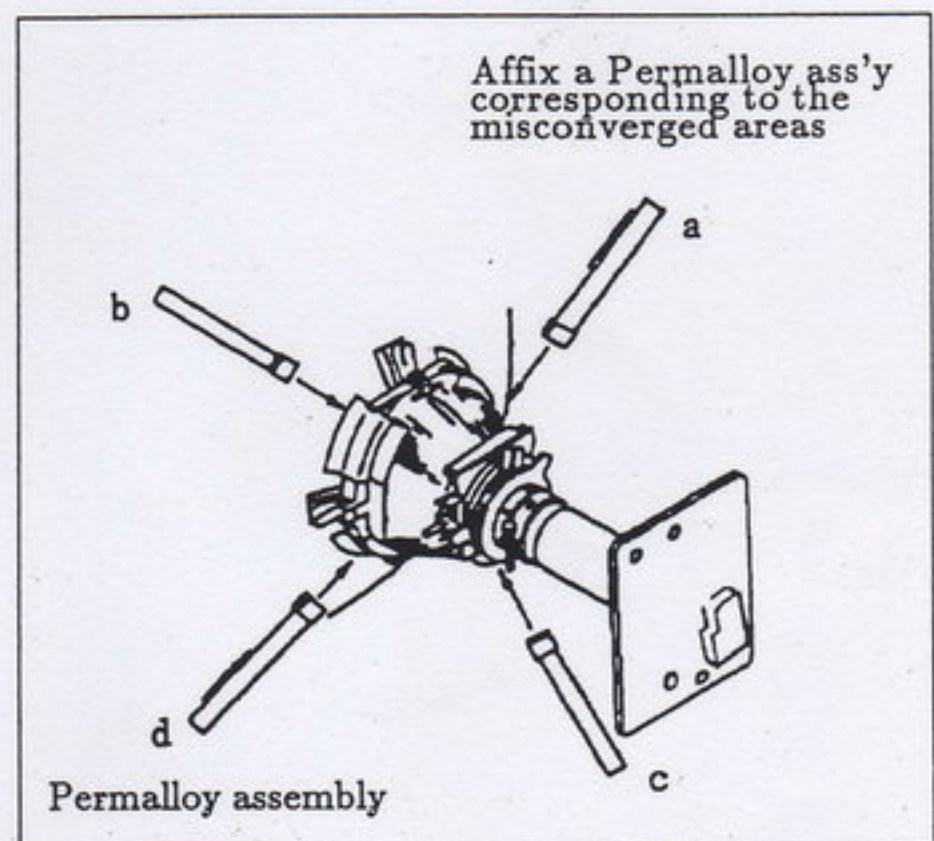
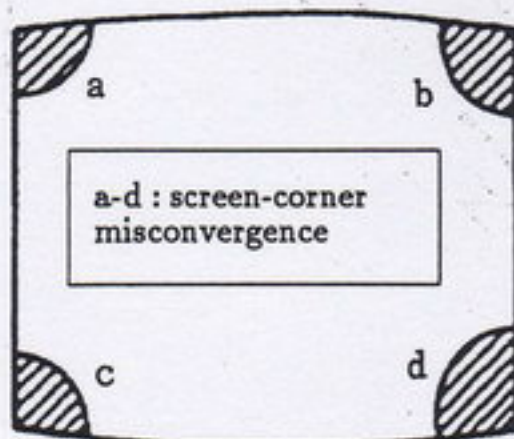
If the red and blue dot do not converge with green dots, perform following steps.
 Move BMC magnet (a) to correct insufficient H.static convergence.
 Rotate BMC magnet (b) to correct insufficient V.static convergence.
 In either case, repeat Beam Landing Adjustment.



(2) Dynamic Convergence Adjustment**Preparation:**

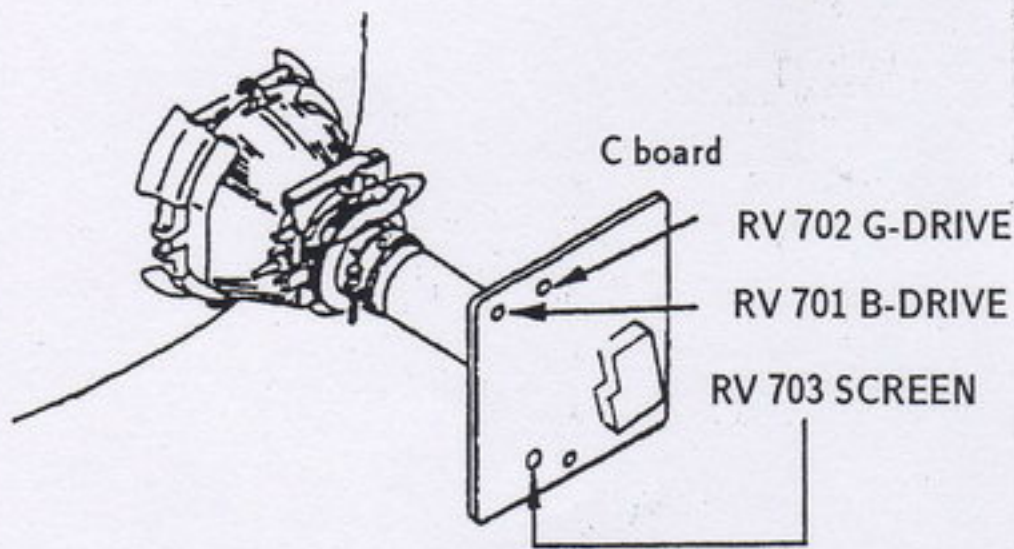
- Before starting perform Horizontal and Vertical static convergence Adjustment.
1. Slightly loosen deflection yoke screw.
 2. Remove deflection yoke spacers.

3. Move the deflection yoke for best convergence as shown below.
4. Tighten the deflection yoke screw.
5. Install the deflection yoke spacers.

**(3) Screen-corner Convergence**

SECTION 4 CIRCUIT ADJUSTMENTS

3-4. SCREEN (G 2) and WHITE BALANCE



Screen (G 2) Setting

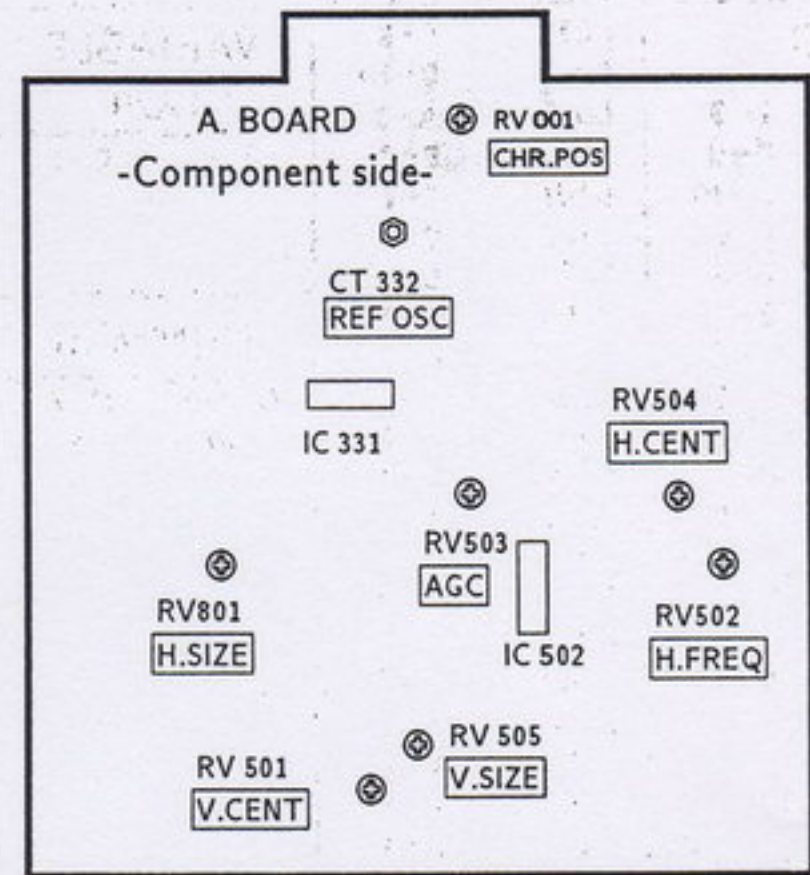
1. Input dot signal from the pattern generator.
2. Set the picture BRIGHTNESS control to minimum level.
3. Apply 140 V DC to the cathodes of R,G and B from an external power power source.
4. While watching the picture, adjust the G 2 volume (RV703) immediately before fly-back line disappears.

White Balance Adjustment

1. Input all-white signal from the pattern generator.
2. Adjust the BRIGHTNESS and COLOR controls to the standard level.
3. Adjust the following using RV 701 (B DRIVE) and RV 702 (G DRIVE)

In the following adjustments, the CONTRAST, COLOR and BRIGHTNESS controls are set to normal unless otherwise specified.

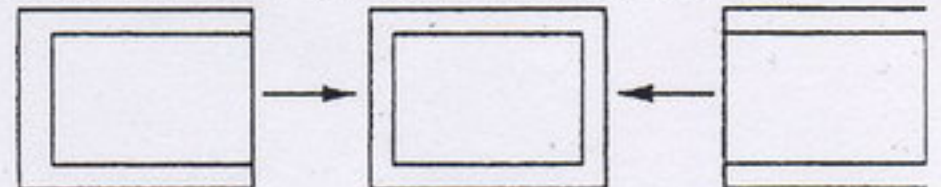
4-1. A BOARD ADJUSTMENTS



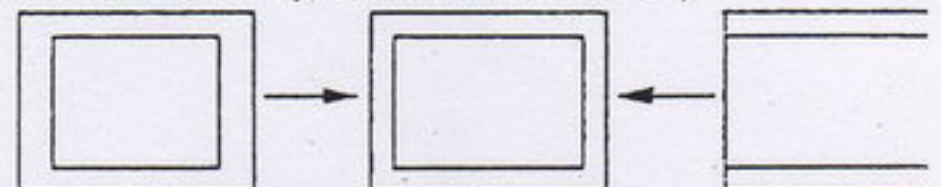
TU AGC Adjustment (RV 503)

1. Tune in air signal.
2. Adjust AGC VR (RV 503) so that snow-noise cross-modulation just disappear from the picture.

RV 504 H.CENT (HORIZONTAL CENTER)



RV 801 H.SIZE (HORIZONTAL SIZE)



RV 501 V.CENT (VERTICAL CENTER)

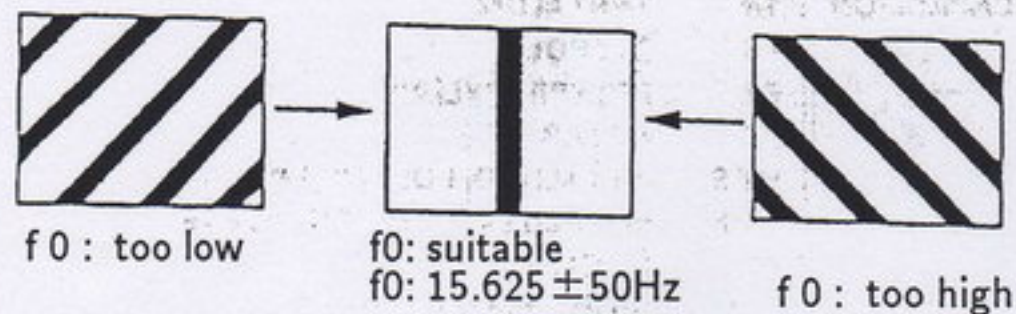


RV 505 V.SIZE (VERTICAL SIZE)



H.FREQ Adjustment (RV 502)

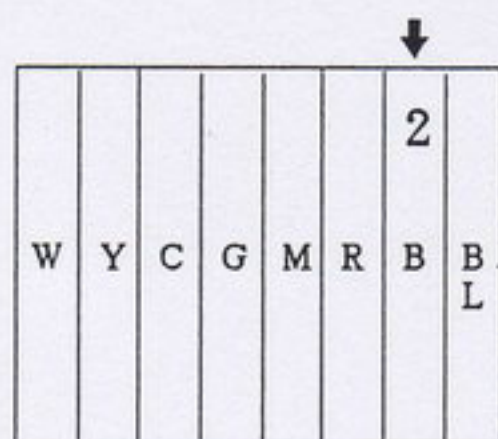
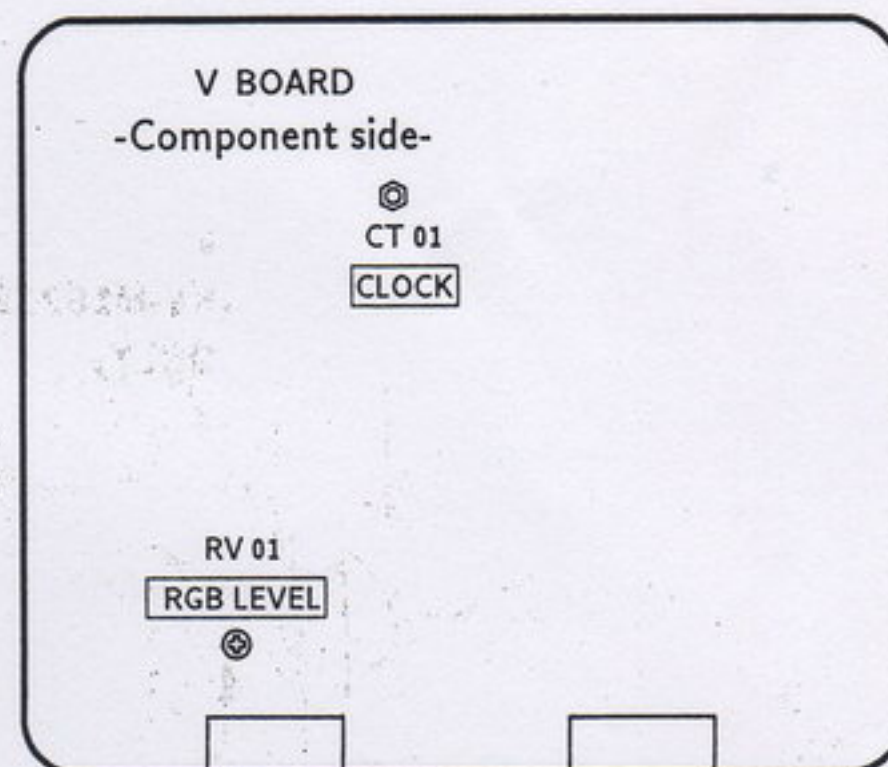
1. Input a PAL COLOR BAR signal, then connect an electrolytic capacitor (100 μ /16 V) between pin 28 and GND of IC 502.
2. Adjust RV 502 (H.FREQ) to stop scrolling of the picture in the horizontal direction.
3. After adjustment, remove the electrolytic capacitor.

**REF OSC 8.8 MHz Adjustment (CT 332)**

1. Input a PAL COLOR BAR pattern.
2. Short circuit between pin 17 of IC 331 and ground.
3. Adjust CT 332 to obtain color synchronization.
4. Remove the jumper wire from IC 331.

CHARACTER POSITION Adjustment (RV 001)

1. Input PAL COLOR BAR pattern.
2. Adjust RV 001 to position the character display at the point indicated by the arrow below.

**4-2. V BOARD ADJUSTMENTS****Clock Adjustment (CT 01)**

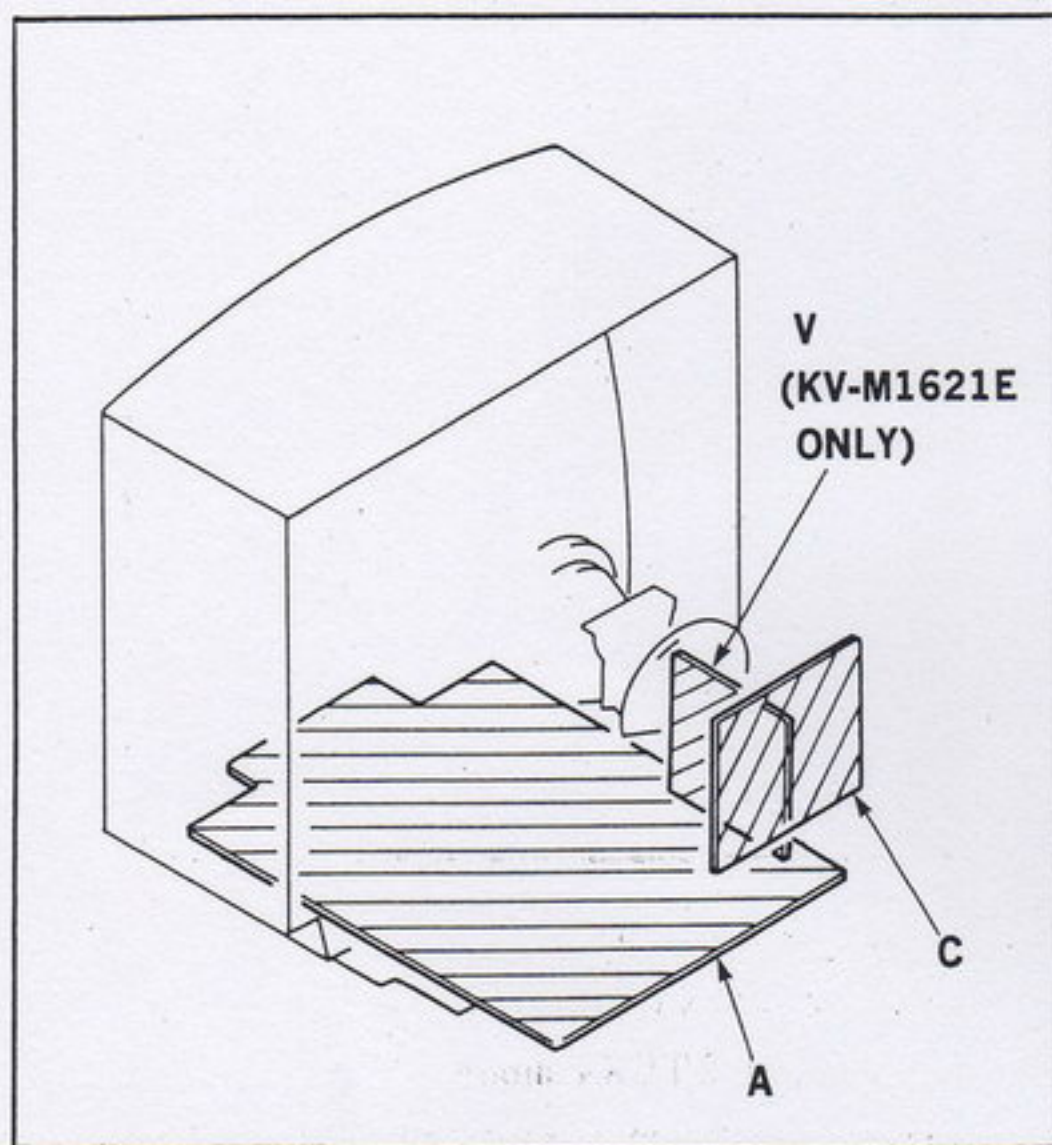
1. Raise pin 3 of CNV 01.
2. Set up the TELETEXT mode.
3. Adjust CT 01 to stop the pictures from scrolling.

RGB Level Adjustment (RV 01)

1. Set PICTURE to maximum.
2. Adjust RV01 till the RGB output becomes maximum.


SECTION 5 DIAGRAMS

5-1. CIRCUIT BOARDS LOCATION



Reference information

RESISTOR	: RN	METAL FILM
	: RC	SOLID
	: FPRD	NONFLAMMABLE CARBON
	: FUSE	NONFLAMMABLE FUSIBLE
	: RS	NONFLAMMABLE METAL OXIDE
	: RB	NONFLAMMABLE CEMENT
	: RW	NONFLAMMABLE WIREWOUND
	: *	ADJUSTMENT RESISTOR
COIL	: LF-8L	MICRO INDUCTOR
CAPACITOR	: TA	TANTALUM
	: PS	STYROL
	: PP	POLYPROPYLENE
	: PT	MYLAR
	: MPS	METALIZED POLYESTER
	: MPP	METALIZED POLYPROPYLENE
	: ALB	BIPOLAR
	: ALT	HIGH TEMPERATURE
	: ALR	HIGH RIPPLE


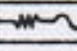



Note: The components identified by shading and mark  are critical for safety. Replace only with part number specified.

Note :

- All capacitors are in μF unless otherwise noted.
 pF : $\mu\mu\text{F}$ 50WV or less are not indicated except for electrolytics.
- Indication of resistance, which does not have one for rating electrical power, is as follows.

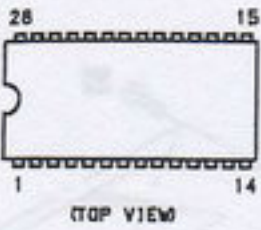
Pitch : 5mm

Rating electrical power : 1/4W

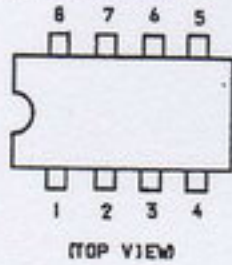
- Chip resistor is in 1/10W.
- All resistors are in ohms. $\text{k}\Omega = 1000\Omega$, $\text{M}\Omega = 1000\text{k}\Omega$
-  : nonflammable resistor.
-  : fusible resistor.
- Δ : internal component.
-  : panel designation and adjustment for repair.
- All variable and adjustable resistors have characteristic curve B.unless otherwise noted.
- All voltages are in V.
- Readings are taken with a $10\text{M}\Omega$ digital multimeter.
- Readings are taken with a color-bar signal input.
- Voltage variations may be noted due to normal production tolerances.
-  : B + line.
-  : signal path. (RF)

5-3. SEMICONDUCTORS

CXK5864BSP-10L
S0A5231-2
T0A3505-V9



RC4558P
ST242C02CP

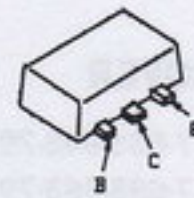


μPC574J

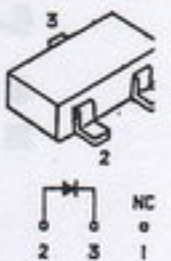


0TA114EK
0TA143EK
0TA144EK
0TC124EK
0TC143TK
0TC144EK
2SA1162-G
2SB1295-UL6
2SC2712-G

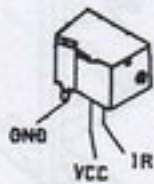
2S01623-R



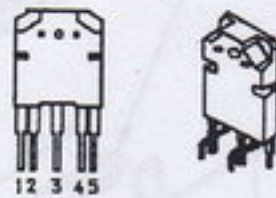
MA3051
R013M-B1
R05.6M-B2
R06.8M-B2



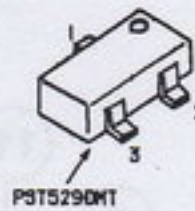
BF871



STR54041



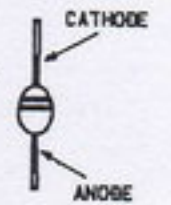
BC673-16



EGP20G
MA152WK



U05G



L78LR050-MA



T0A3827
T0A7245

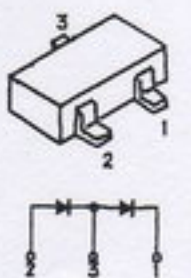


2SA1091-0



ERA83-006
HZS5.1NB2
HZS5.6NB3
HZS6.8NB1
HZS7.5NB3
HZS8.2NB3
1SS119

1SS226



MSF78M12L



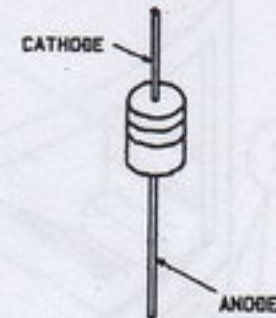
T0A4504B



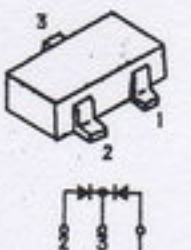
KEY-C005V



2SC2688-LK



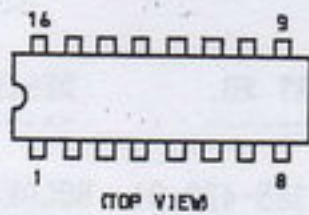
1S2836



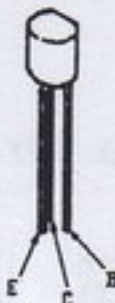
PCA84C840P-BE2A



T0A4510/V6
T0A4660V2



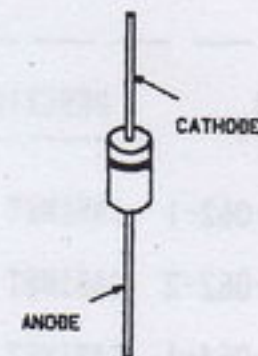
BF959



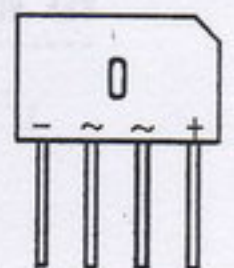
2SC2785-HFE



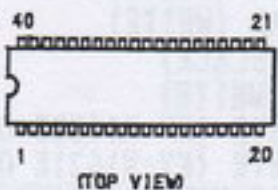
ERC06-15S
RU-3AM
R2M



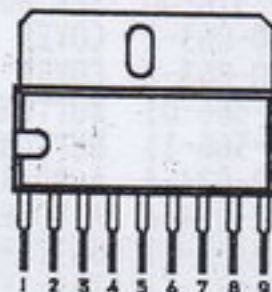
KBU4JL-608E



S0A5243



μPC1488H



BU508AS2



2S01585-K



ES1F



SPR-54MVW



SECTION 6 EXPLODED VIEW

NOTE:

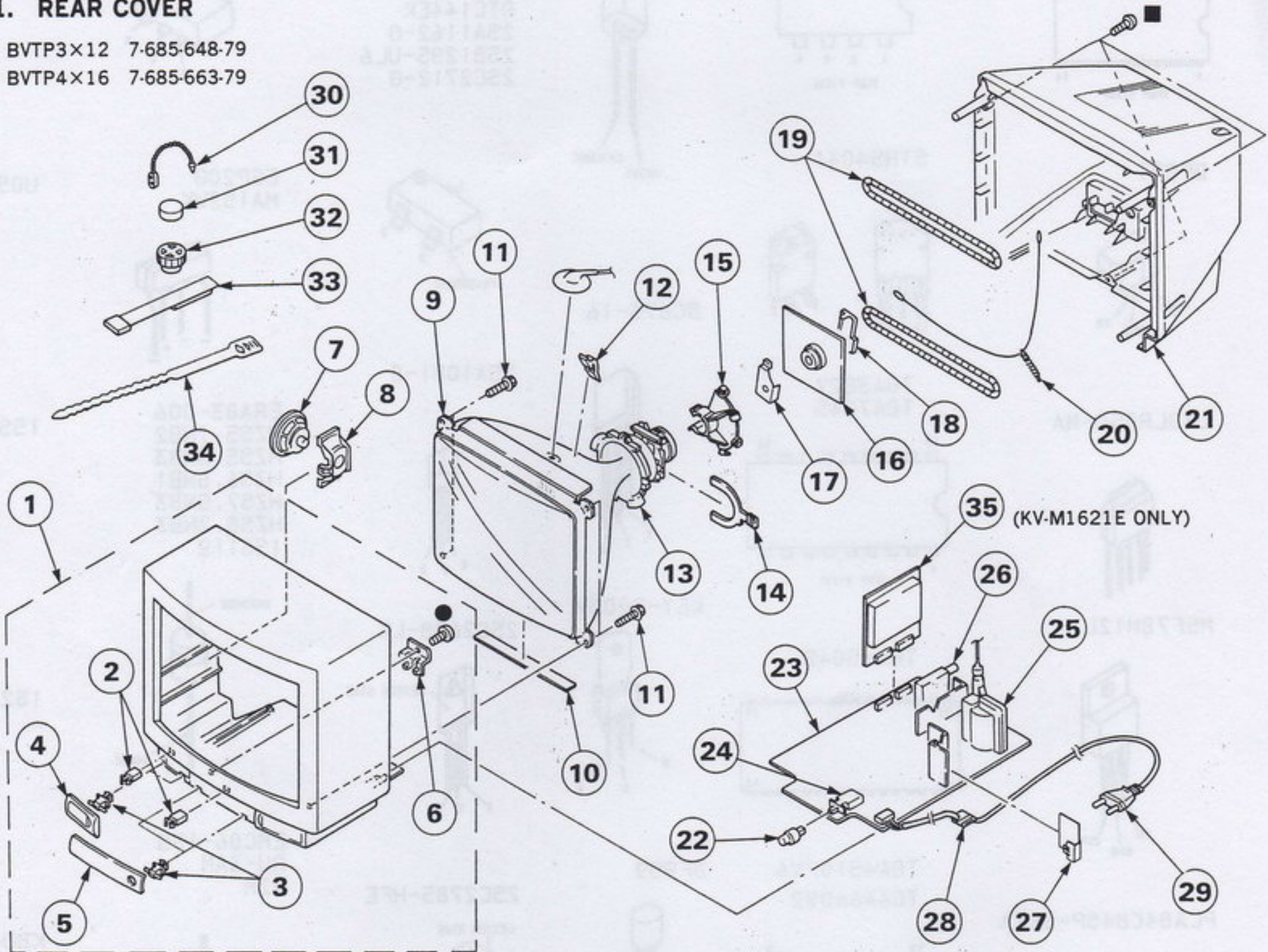
- Items with no part number and no description are not stocked because they are seldom required for routine service.
- The construction parts of an assembled part are indicated with a collation number in the remark column.

- Items marked " * " are not stocked since they are seldom required for routine service. Some delay should be anticipated when ordering these items.

The components identified by shading and mark **▲** are critical for safety. Replace only with part number specified.

6-1. REAR COVER

- : BVTP3×12 7-685-648-79
- : BVTP4×16 7-685-663-79



REF.NO.	PART NO.	DESCRIPTION	REMARK	REF.NO.	PART NO.	DESCRIPTION	REMARK
1	X-4200-062-1	CABINET ASSY(WITH BEZEL ASSY) (BLACK) 2-6 (KV-M1620E ONLY)		15	*4-385-422-01	HOLDER, LEAD	
	X-4200-062-2	CABINET ASSY(WITH BEZEL ASSY) (WHITE) 2-6 (KV-M1620E ONLY)		16	*A-1638-012-A	C BOARD, COMPLETE	
	X-4200-064-1	CABINET ASSY(WITH BEZEL ASSY) (BLACK) 2-6 (KV-M1621E ONLY)		17	*4-374-717-01	COVER (MAIN), CV VOL	
	X-4200-064-2	CABINET ASSY(WITH BEZEL ASSY) (WHITE) 2-6 (KV-M1621E ONLY)		18	*4-374-704-01	COVER (REAR LID), CV VOL	
2	4-392-036-01	CATCHER, PUSH		19	▲ 1-426-317-21	COIL, DEGAUSSING	
3	3-703-035-11	SHAFT, LID		20	4-369-318-00	SPRING, TENSION	
4	4-200-569-01	DOOR, B (PAINTED) (BLACK) (KV-M1620E ONLY)		21	X-4200-063-1	COVER ASSY, REAR (BLACK)	
	4-200-570-01	DOOR, B (PAINTED) (WHITE) (KV-M1620E ONLY)			X-4200-063-2	COVER ASSY, REAR (WHITE)	
	4-200-569-11	DOOR, B (PAINTED) (BLACK) (KV-M1621E ONLY)		22	4-200-566-01	BUTTON, POWER (BLACK)	
	4-200-570-11	DOOR, B (PAINTED) (WHITE) (KV-M1621E ONLY)			4-200-566-11	BUTTON, POWER (WHITE)	
5	4-200-568-01	DOOR, A (PAINTED) (BLACK)		23	A-1632-024-A	A BOARD, COMPLETE (KV-M1620E ONLY)	
	4-200-568-11	DOOR, A (PAINTED) (WHITE)			A-1632-034-A	A BOARD, COMPLETE (KV-M1621E ONLY)	
6	4-200-405-11	BUTTON, MULTI		24	▲ 1-571-433-11	SWITCH, PUSH (AC POWER)	
7	1-544-374-11	SPEAKER		25	▲ 1-439-432-11	TRANSFORMER ASSY, FLYBACK (UX-1620)	
8	4-391-423-02	HOLDER, SPEAKER		26	▲ 1-465-541-11	TUNER TERBIX054A (BT-3C 301)	
9	▲ 8-738-852-05	PICTURE TUBE (A37JUW10X)		27	*4-200-400-11	PLATE, INSULATION	
10	4-391-450-01	CUSHION, PICTURE TUBE		28	▲ 4-389-778-01	HOLDER, AC CORD	
11	4-382-733-01	SCREW (S), PT		29	▲ 1-590-129-11	CORD, POWER (WITH CONNECTOR)	
12	3-704-495-01	SPACER, DY		30	4-308-870-00	CLIP, LEAD WIRE	
13	▲ 1-451-304-21	DEFLECTION YOKE (Y16SXA)		31	1-452-032-00	MAGNET, DISK; 10MM φ	
14	1-452-277-00	MAGNET, BMC		32	1-452-094-00	MAGNET, ROTATABLE DISK; 15MM φ	
				33	X-4309-608-0	PERMALLOY ASSY, CONVERGENCE	
				34	3-701-007-00	BAND, BINDING	
				35	*A-1645-011-A	V BOARD, COMPLETE (KV-M1621E ONLY)	

The components identified by shading and mark **A** are critical for safety. Replace only with part number specified.

A

REF. NO.	PART NO.	DESCRIPTION	REMARK	REF. NO.	PART NO.	DESCRIPTION	REMARK
C334	1-163-063-00	CERAMIC CHIP 0.022MF	10% 50V	C602	A 1-161-964-61	CERAMIC 0.0047MF	250V
C335	1-163-063-00	CERAMIC CHIP 0.022MF	10% 50V	C603	1-162-599-12	CERAMIC 0.0047MF	250V
C337	1-130-834-00	MYLAR 1MF	10% 63V	C604	1-125-318-00	ELECT (BLOCK) 220MF	20% 400V
C340	1-162-568-11	CERAMIC CHIP 0.33MF	25V	C606	1-136-637-11	FILM 0.047MF	10% 630V
C341	1-130-783-00	MYLAR 0.33MF	10% 100V	C607	1-106-367-00	MYLAR 0.01MF	10% 400V
C343	1-130-785-11	MYLAR 0.47MF	10% 100V	C608	1-161-753-00	CERAMIC 470PF	10% 3KV
C344	1-106-383-00	MYLAR 0.047MF	10% 100V	C609	1-124-347-00	ELECT 100MF	20% 160V
C346	1-163-033-00	CERAMIC CHIP 0.022MF	50V	C610	1-124-557-11	ELECT 1000MF	20% 25V
C347	1-163-037-11	CERAMIC CHIP 0.022MF	10% 25V	C612	1-102-228-00	CERAMIC 470PF	10% 500V
C348	1-163-037-11	CERAMIC CHIP 0.022MF	10% 25V	C614	1-126-101-11	ELECT 100MF	20% 16V
C349	1-163-037-11	CERAMIC CHIP 0.022MF	10% 25V	C616	A 1-164-246-11	CERAMIC 0.0022MF	20% 400V
C352	1-106-375-12	MYLAR 0.022MF	10% 250V	C618	1-126-233-11	ELECT 22MF	20% 50V
C353	1-163-037-11	CERAMIC CHIP 0.022MF	10% 25V	C621	A 1-136-517-11	FILM 0.22MF	20% 300V
C354	1-163-037-11	CERAMIC CHIP 0.022MF	10% 25V	C623	A 1-164-246-11	CERAMIC 0.0022MF	20% 400V
C355	1-163-037-11	CERAMIC CHIP 0.022MF	10% 25V	C624	1-161-754-00	CERAMIC 0.001MF	10% 2KV
C357	1-164-232-11	CERAMIC CHIP 0.01MF	50V	C625	A 1-136-517-11	FILM 0.22MF	20% 300V
C358	1-124-556-11	ELECT 2200MF	20% 16V	C626	A 1-163-161-91	CERAMIC CHIP 15PF	5% 50V
C360	1-124-791-11	ELECT 1MF	20% 50V	C627	A 1-163-161-91	CERAMIC CHIP 15PF	5% 50V
C367	1-164-232-11	CERAMIC CHIP 0.01MF	50V	C801	1-106-359-00	MYLAR 0.0047MF	10% 400V
C370	1-126-233-11	ELECT 22MF	20% 50V	C802	1-102-212-00	CERAMIC 820PF	10% 500V
C401	1-124-910-11	ELECT 47MF	20% 50V	C803	1-102-244-00	CERAMIC 220PF	10% 500V
C402	1-124-910-11	ELECT 47MF	20% 50V	C804	1-126-101-11	ELECT 100MF	20% 16V
C403	1-102-824-00	CERAMIC 470PF	5% 50V	C805	A 1-136-076-11	FILM 0.0085MF	3% 2KV
C404	1-164-232-11	CERAMIC CHIP 0.01MF	50V	C806	1-106-389-00	MYLAR 0.082MF	10% 200V
C429	1-163-197-00	CERAMIC CHIP 470PF	10% 50V	C807	A 1-162-116-51	CERAMIC 680PF	10% 2KV
C430	1-130-783-00	MYLAR 0.33MF	10% 100V	C808	1-136-932-11	FILM 0.82MF	5% 100V
C431	1-124-910-11	ELECT 47MF	20% 50V	C809	1-106-367-00	MYLAR 0.01MF	10% 400V
C432	1-164-232-11	CERAMIC CHIP 0.01MF	50V	C811	1-136-541-11	FILM 1.5MF	5% 160V
C433	1-126-233-11	ELECT 22MF	20% 25V	C812	1-124-634-11	ELECT 1MF	20% 250V
C434	1-164-232-11	CERAMIC CHIP 0.01MF	50V	C813	1-163-009-11	CERAMIC CHIP 0.001MF	10% 50V
C475	1-126-233-11	ELECT 22MF	20% 50V	C814	1-123-932-00	ELECT 4.7MF	20% 160V
C476	1-106-216-00	MYLAR 0.068MF	10% 100V	C815	1-106-375-12	MYLAR 0.022MF	10% 250V
C499	1-162-318-11	CERAMIC 0.001MF	10% 500V	C816	1-102-228-00	CERAMIC 470PF	10% 500V
C501	1-163-181-00	CERAMIC CHIP 100PF	5% 50V	C817	1-123-948-00	ELECT 22MF	20% 250V
C502	1-163-001-11	CERAMIC CHIP 220PF	10% 50V	C818	1-106-375-12	MYLAR 0.022MF	10% 250V
C503	1-163-181-00	CERAMIC CHIP 100PF	5% 50V	C819	1-162-114-00	CERAMIC 0.0047MF	2KV
C504	1-124-122-11	ELECT 100MF	20% 50V	C820	1-162-318-11	CERAMIC 0.001MF	10% 500V
C505	1-126-233-11	ELECT 22MF	20% 50V	C821	1-126-101-11	ELECT 100MF	20% 16V
C506	1-106-228-00	MYLAR 0.22MF	10% 100V	C822	1-162-318-11	CERAMIC 0.001MF	10% 500V
C507	1-124-557-11	ELECT 1000MF	20% 25V	C823	1-126-233-11	ELECT 22MF	20% 50V
C508	1-163-117-00	CERAMIC CHIP 100PF	5% 50V	C824	1-124-913-11	ELECT 470MF	20% 50V
C509	1-162-568-11	CERAMIC CHIP 0.33MF	25V	C825	1-106-367-00	MYLAR 0.01MF	10% 400V
C510	1-106-228-00	MYLAR 0.22MF	10% 100V	C826	1-137-146-11	FILM 0.15MF	10% 250V
C511	1-163-117-00	CERAMIC CHIP 100PF	5% 50V	C840	1-124-902-00	ELECT 0.47MF	20% 50V
C512	1-106-216-00	MYLAR 0.068MF	10% 100V				
C513	1-124-927-11	ELECT 4.7MF	20% 50V			<FILTER>	
C514	1-136-298-00	FILM 0.0033MF	2% 100V	CD101	1-579-110-11	DISCRIMINATOR, CERAMIC	
C515	1-163-035-00	CERAMIC CHIP 0.047MF	50V	CF501	1-404-801-11	TRAP, CERAMIC	
C516	1-163-113-00	CERAMIC CHIP 68PF	5% 50V	SWF101	1-579-120-11	FILTER, SURFACE WAVE	
C517	1-163-033-00	CERAMIC CHIP 0.022MF	50V	XF501	1-527-840-00	FILTER, CERAMIC	
C520	1-163-033-00	CERAMIC CHIP 0.022MF	50V			<CONNECTOR>	
C521	1-131-377-00	TANTALUM 10MF	10% 10V	CNA21	*1-560-290-00	PLUG, CONNECTOR (2.5MM PITCH)	
C524	1-106-228-00	MYLAR 0.22MF	10% 100V	CNA31	*1-568-881-51	PIN, CONNECTOR 6P	
C525	1-106-216-00	MYLAR 0.068MF	10% 100V	CNA42	*1-565-394-11	PIN, BOARD TO BOARD CONNECTOR	(KV-M1621E ONL)
C526	1-124-910-11	ELECT 47MF	20% 50V	CNA43	*1-565-394-11	PIN, BOARD TO BOARD CONNECTOR	(KV-M1621E ONL)
C527	1-163-017-00	CERAMIC CHIP 0.0047MF	10% 50V	CNA61	*1-508-765-00	PIN, CONNECTOR (5MM PITCH) 3P	
C529	1-163-117-00	CERAMIC CHIP 100PF	5% 50V	CNA62	*1-566-664-11	PIN, CONNECTOR 4P	
C530	1-163-197-00	CERAMIC CHIP 470PF	5% 50V	CNA64	*1-508-784-00	PIN, CONNECTOR (5MM PITCH) 1P	
C531	1-163-113-00	CERAMIC CHIP 68PF	5% 50V	CNA81	*1-508-768-00	PIN, CONNECTOR (5MM PITCH) 6P	
C532	1-163-117-00	CERAMIC CHIP 100PF	5% 50V				
C536	1-124-927-11	ELECT 4.7MF	20% 50V				
C537	1-163-038-00	CERAMIC CHIP 0.1MF	25V				
C540	1-163-111-00	CERAMIC CHIP 56PF	5% 50V				
C601	A 1-161-964-61	CERAMIC 0.0047MF	250V				

The components identified by shading and mark **A** are critical for safety.
Replace only with part number specified.

A

REF.NO.	PART NO.	DESCRIPTION	REMARK	REF.NO.	PART NO.	DESCRIPTION	R
CNA82	*1-568-536-11	PLUG (MINIATURE DY) 6P		D811	8-719-911-55	DIODE U05G	
CNA83	*1-508-765-00	PIN, CONNECTOR (5MM PITCH) 3P		D820	8-719-911-19	DIODE 1SS119	
<TRIMMER>				<DELAY LINE>			
CT332	1-141-418-11	CAP, ADJ		DL301	1-236-062-11	MODULE, Y DELAY LINE	
<DIODE>				<FUSE>			
D002	8-719-920-55	DIODE SPR-54MVW		F601	A 1-576-016-11	FUSE, GLASS-TUBE (TIME-LAG) 3:15A/	
	4-200-407-01	HOLDER, LED; D002			1-533-230-11	HOLDER, FUSE; F601	
D004	8-719-104-34	DIODE 1S2836		<IC>			
D007	8-719-400-18	DIODE MA152WK		IC001	8-759-502-56	IC PCA84C840P-008	
D008	8-719-400-41	DIODE MA3051		IC002	8-759-988-32	IC ST24C02CP	
D009	8-719-400-41	DIODE MA3051		IC003	8-749-920-65	IC KEY-COOSV	
D010	8-719-104-34	DIODE 1S2836		IC004	8-759-805-37	IC L78LR05D-MA	
D013	8-719-104-34	DIODE 1S2836		IC005	8-759-157-40	IC UPC574J	
D015	8-719-911-19	DIODE 1SS119		IC102	8-759-502-60	IC TDA3827	
D020	8-719-911-19	DIODE 1SS119		IC201	8-759-502-74	IC TDA7245	
D101	8-719-929-08	DIODE HZS7.5NB3		IC301	8-759-505-39	IC TDA4660V2	
D102	8-719-929-08	DIODE HZS7.5NB3		IC302	8-759-947-19	IC TDA3505-V9	
D103	8-719-929-08	DIODE HZS7.5NB3		IC331	8-759-513-46	IC TDA4510/V8	
D110	8-719-928-89	DIODE HZS5.1NB2		IC501	8-759-113-05	IC UPC1488H	
D301	8-719-104-34	DIODE 1S2836			*4-389-343-01	SPRING; IC501	
D302	8-719-800-76	DIODE 1SS226		IC502	8-759-502-59	IC TDA4504B	
D303	8-719-400-18	DIODE MA152WK		IC601	8-749-901-65	IC STR54041	
D305	8-719-800-76	DIODE 1SS226			*4-368-683-01	SPRING; IC601	
D306	8-719-400-18	DIODE MA152WK		IC801	8-759-945-58	IC RC4558P	
D313	8-719-800-76	DIODE 1SS226		IC802	8-759-604-39	IC M5F78M12L	
D321	8-719-928-94	DIODE HZS5.6NB3			*4-389-343-01	SPRING; IC802	
D324	8-719-104-34	DIODE 1S2836		<JACK>			
D402	8-719-109-97	DIODE RD6.8ES-B2		J201	1-562-837-11	JACK	
D403	8-719-109-97	DIODE RD6.8ES-B2		J401	1-561-534-00	SOCKET 21P	
D404	8-719-109-97	DIODE RD6.8ES-B2		J402	1-563-500-11	JACK BLOCK, PIN (L TYPE) 2P	
D405	8-719-929-12	DIODE HZS8.2NB3		<COIL>			
D406	8-719-929-12	DIODE HZS8.2NB3		L001	1-408-409-00	INDUCTOR	10UH
D410	8-719-109-97	DIODE RD6.8ES-B2		L102	1-408-409-00	INDUCTOR	10UH
D411	8-719-109-97	DIODE RD6.8ES-B2		L103	1-408-399-00	INDUCTOR	1.5UH
D417	8-719-104-34	DIODE 1S2836		L106	1-408-415-00	INDUCTOR	33UH
D418	8-719-104-34	DIODE 1S2836		L107	1-408-410-00	INDUCTOR	12UH
D426	8-719-109-97	DIODE RD6.8ES-B2		L201	1-408-409-00	INDUCTOR	10UH
D501	8-719-300-33	DIODE RU-3AM		L301	1-408-409-00	INDUCTOR	10UH
D503	8-719-911-19	DIODE 1SS119		L302	1-408-419-00	INDUCTOR	68UH
D504	8-719-400-18	DIODE MA152WK		L303	1-408-425-00	INDUCTOR	220UH
D519	8-719-400-18	DIODE MA152WK		L404	1-408-397-00	INDUCTOR	1UH
D601	8-719-946-90	DIODE KBU4JL-6088		L405	1-408-409-00	INDUCTOR	10UH
D602	8-719-976-64	DIODE RGP02-17		L406	1-408-417-00	INDUCTOR	47UH
D603	8-719-911-55	DIODE U05G		L501	1-404-493-00	COIL	
D604	8-719-979-85	DIODE EGP20G		L502	1-408-407-00	INDUCTOR	6.8UH
D605	8-719-300-33	DIODE RU-3AM		L506	1-408-411-00	INDUCTOR	15UH
D606	8-719-980-78	DIODE ERA83-006		L801	1-407-365-00	COIL, CHOKE	
D607	8-719-300-33	DIODE RU-3AM		L802	*1-420-872-00	COIL, AIR CORE	
D608	8-719-300-33	DIODE RU-3AM		L804	1-459-856-11	COIL, FERRITE	
D609	8-719-911-55	DIODE U05G		L805	1-459-105-21	COIL(WITH CORE)	
D610	8-719-911-55	DIODE U05G		L806	1-459-756-12	COIL, HORIZONTAL LINEARITY	
D611	8-719-303-49	DIODE R2M		L807	1-410-067-21	INDUCTOR	4.7MMH
D801	8-719-945-80	DIODE ERC06-15S		L808	1-408-226-00	INDUCTOR	82UH
D802	8-719-979-85	DIODE EGP20G					
D803	8-719-300-33	DIODE RU-3AM					
D805	8-719-300-33	DIODE RU-3AM					
D806	8-719-976-64	DIODE RGP02-17					
D807	8-719-300-33	DIODE RU-3AM					
D808	8-719-300-33	DIODE RU-3AM					
D810	8-719-911-55	DIODE U05G					

The components identified by shading and mark **A** are critical for safety.
Replace only with part number specified.

A

REF. NO.	PART NO.	DESCRIPTION	REMARK	REF. NO.	PART NO.	DESCRIPTION	REMARK
L809	1-459-881-11	COIL, CHOKE 2.7MMH		JR018	1-216-295-00	METAL GLAZE	0 5% 1/10W
	<IC LINK>			JR019	1-216-295-00	METAL GLAZE	0 5% 1/10W
PS801A	1-532-679-91	LINK, IC (ICP-N15) 0.6A		JR020	1-216-295-00	METAL GLAZE	0 5% 1/10W
	<TRANSISTOR>			JR021	1-216-295-00	METAL GLAZE	0 5% 1/10W
Q001	8-729-271-22	TRANSISTOR 2SC2712-G		JR022	1-216-295-00	METAL GLAZE	0 5% 1/10W
Q003	8-729-901-01	TRANSISTOR DTC144EK		JR024	1-216-295-00	METAL GLAZE	0 5% 1/10W
Q004	8-729-271-22	TRANSISTOR 2SC2712-G		JR026	1-216-295-00	METAL GLAZE	0 5% 1/10W
Q005	8-729-216-22	TRANSISTOR 2SA1162-G		JR027	1-216-295-00	METAL GLAZE	0 5% 1/10W
Q006	8-729-119-78	TRANSISTOR 2SC2785-HFE		JR028	1-216-295-00	METAL GLAZE	0 5% 1/10W
Q007	8-729-271-22	TRANSISTOR 2SC2712-G		JR029	1-216-295-00	METAL GLAZE	0 5% 1/10W
Q008	8-729-901-04	TRANSISTOR DTA114EK		JR030	1-216-295-00	METAL GLAZE	0 5% 1/10W
Q009	8-729-901-01	TRANSISTOR DTC144EK		JR034	1-216-295-00	METAL GLAZE	0 5% 1/10W
Q015	8-729-271-22	TRANSISTOR 2SC2712-G		JR035	1-216-295-00	METAL GLAZE	0 5% 1/10W
Q016	8-729-901-47	TRANSISTOR DTA143EK		JR036	1-216-295-00	METAL GLAZE	0 5% 1/10W
Q017	8-729-216-22	TRANSISTOR 2SA1162-G		JR037	1-216-295-00	METAL GLAZE	0 5% 1/10W
Q019	8-729-901-06	TRANSISTOR DTA144EK		JR040	1-216-295-00	METAL GLAZE	0 5% 1/10W
Q020	8-729-901-00	TRANSISTOR DTC124EK		JR045	1-216-295-00	METAL GLAZE	0 5% 1/10W
Q101	8-729-901-47	TRANSISTOR DTA143EK		JR101	1-216-296-00	METAL GLAZE	0 5% 1/8W
Q102	8-729-901-47	TRANSISTOR DTA143EK		JR102	1-216-296-00	METAL GLAZE	0 5% 1/8W
Q103	8-729-901-47	TRANSISTOR DTA143EK		JR103	1-216-296-00	METAL GLAZE	0 5% 1/8W
Q104	8-729-271-22	TRANSISTOR 2SC2712-G		JR104	1-216-296-00	METAL GLAZE	0 5% 1/8W
Q106	8-729-271-22	TRANSISTOR 2SC2712-G		JR105	1-216-296-00	METAL GLAZE	0 5% 1/8W
Q107	8-729-216-22	TRANSISTOR 2SA1162-G		JR106	1-216-296-00	METAL GLAZE	0 5% 1/8W
Q112	8-729-271-22	TRANSISTOR 2SC2712-G		JR107	1-216-296-00	METAL GLAZE	0 5% 1/8W
Q114	8-729-901-00	TRANSISTOR DTC124EK		JR108	1-216-296-00	METAL GLAZE	0 5% 1/8W
Q115	8-729-901-00	TRANSISTOR DTC124EK		JR109	1-216-296-00	METAL GLAZE	0 5% 1/8W
Q141	8-729-000-12	TRANSISTOR BF959		JR110	1-216-296-00	METAL GLAZE	0 5% 1/8W
Q302	8-729-271-22	TRANSISTOR 2SC2712-G		JR111	1-216-296-00	METAL GLAZE	0 5% 1/8W
Q304	8-729-271-22	TRANSISTOR 2SC2712-G		JR112	1-216-296-00	METAL GLAZE	0 5% 1/8W
Q305	8-729-271-22	TRANSISTOR 2SC2712-G		JR116	1-216-296-00	METAL GLAZE	0 5% 1/8W
Q307	8-729-216-22	TRANSISTOR 2SA1162-G		JR117	1-216-296-00	METAL GLAZE	0 5% 1/8W
Q310	8-729-271-22	TRANSISTOR 2SC2712-G		JR118	1-216-296-00	METAL GLAZE	0 5% 1/8W
Q311	8-729-216-22	TRANSISTOR 2SA1162-G		JR119	1-216-296-00	METAL GLAZE	0 5% 1/8W
Q401	8-729-271-22	TRANSISTOR 2SC2712-G		JR121	1-216-296-00	METAL GLAZE	0 5% 1/8W
Q457	8-729-216-22	TRANSISTOR 2SA1162-G		JR122	1-216-296-00	METAL GLAZE	0 5% 1/8W
Q504	8-729-271-22	TRANSISTOR 2SC2712-G		JR123	1-216-296-00	METAL GLAZE	0 5% 1/8W
Q505	8-729-216-22	TRANSISTOR 2SA1162-G		JR124	1-216-296-00	METAL GLAZE	0 5% 1/8W
Q601	8-729-906-74	TRANSISTOR BC637-16		JR125	1-216-296-00	METAL GLAZE	0 5% 1/8W
Q801	8-729-119-80	TRANSISTOR 2SC2688-LK		JR126	1-216-296-00	METAL GLAZE	0 5% 1/8W
Q802	8-729-925-64	TRANSISTOR BU508AS2		JR127	1-216-296-00	METAL GLAZE	0 5% 1/8W
Q803	8-729-202-03	TRANSISTOR 2SD1408-Y		JR128	1-216-296-00	METAL GLAZE	0 5% 1/8W
	<RESISTOR>			JR129	1-216-296-00	METAL GLAZE	0 5% 1/8W
JR001	1-216-295-00	METAL GLAZE	0 5% 1/10W	JR130	1-216-296-00	METAL GLAZE	0 5% 1/8W
JR002	1-216-295-00	METAL GLAZE	0 5% 1/10W	JR131	1-216-296-00	METAL GLAZE	0 5% 1/8W
JR003	1-216-295-00	METAL GLAZE	0 5% 1/10W	JR133	1-216-296-00	METAL GLAZE	0 5% 1/8W
JR004	1-216-295-00	METAL GLAZE	0 5% 1/10W	JR134	1-216-296-00	METAL GLAZE	0 5% 1/8W
JR005	1-216-295-00	METAL GLAZE	0 5% 1/10W	JR135	1-216-296-00	METAL GLAZE	0 5% 1/8W
JR006	1-216-295-00	METAL GLAZE	0 5% 1/10W	JR136	1-216-296-00	METAL GLAZE	0 5% 1/8W
JR007	1-216-295-00	METAL GLAZE	0 5% 1/10W	JR137	1-216-296-00	METAL GLAZE	0 5% 1/8W
JR008	1-216-295-00	METAL GLAZE	0 5% 1/10W	JR139	1-216-296-00	METAL GLAZE	0 5% 1/8W
JR009	1-216-295-00	METAL GLAZE	0 5% 1/10W	JR140	1-216-296-00	METAL GLAZE	0 5% 1/8W
JR010	1-216-295-00	METAL GLAZE	0 5% 1/10W	JR141	1-216-296-00	METAL GLAZE	0 5% 1/8W
JR011	1-216-295-00	METAL GLAZE	0 5% 1/10W	JR144	1-216-296-00	METAL GLAZE	0 5% 1/8W
JR012	1-216-295-00	METAL GLAZE	0 5% 1/10W	JR146	1-216-296-00	METAL GLAZE	0 5% 1/8W
JR015	1-216-295-00	METAL GLAZE	0 5% 1/10W	JR147	1-216-296-00	METAL GLAZE	0 5% 1/8W
JR016	1-216-295-00	METAL GLAZE	0 5% 1/10W	JR148	1-216-296-00	METAL GLAZE	0 5% 1/8W
JR017	1-216-295-00	METAL GLAZE	0 5% 1/10W	JR154	1-216-296-00	METAL GLAZE	0 5% 1/8W
				JR155	1-216-296-00	METAL GLAZE	0 5% 1/8W
				R001	1-216-069-00	METAL GLAZE	6.8K 5% 1/10W
				R002	1-216-081-00	METAL GLAZE	22K 5% 1/10W
				R003	1-216-081-00	METAL GLAZE	22K 5% 1/10W
				R004	1-216-083-00	METAL GLAZE	27K 5% 1/10W
				R005	1-216-206-00	METAL GLAZE	2.2K 5% 1/8W
				R006	1-216-246-00	METAL GLAZE	100K 5% 1/8W

REF. NO.	PART NO.	DESCRIPTION	REMARK	REF. NO.	PART NO.	DESCRIPTION	RI
R007	1-216-190-00	METAL GLAZE	470 5% 1/8W	R090	1-249-429-11	CARBON	10K 5% 1/4W
R008	1-216-049-00	METAL GLAZE	1K 5% 1/10W	R094	1-216-077-00	METAL GLAZE	15K 5% 1/10W
R009	1-216-049-00	METAL GLAZE	1K 5% 1/10W	R095	1-216-065-00	METAL GLAZE	4.7K 5% 1/10W
R010	1-216-198-00	METAL GLAZE	1K 5% 1/8W	R096	1-216-065-00	METAL GLAZE	4.7K 5% 1/10W
R011	1-216-035-00	METAL GLAZE	270 5% 1/10W	R097	1-216-085-00	METAL GLAZE	33K 5% 1/10W
R012	1-216-240-00	METAL GLAZE	56K 5% 1/8W	R099	1-216-228-00	METAL GLAZE	18K 5% 1/8W
R013	1-216-077-00	METAL GLAZE	15K 5% 1/10W	R100	1-216-023-00	METAL GLAZE	82 5% 1/10W
R014	1-216-748-11	METAL GLAZE	39K 5% 1/10W	R101	1-216-069-00	METAL GLAZE	6.8K 5% 1/10W
R015	1-216-230-00	METAL GLAZE	22K 5% 1/8W	R102	1-216-061-00	METAL GLAZE	3.3K 5% 1/10W
R016	1-216-049-00	METAL GLAZE	1K 5% 1/10W	R103	1-216-057-00	METAL GLAZE	2.2K 5% 1/10W
R017	1-216-081-00	METAL GLAZE	22K 5% 1/10W	R104	1-216-057-00	METAL GLAZE	2.2K 5% 1/10W
R018	1-216-065-00	METAL GLAZE	4.7K 5% 1/10W	R105	1-216-109-00	METAL GLAZE	330K 5% 1/10W
R019	1-216-065-00	METAL GLAZE	4.7K 5% 1/10W	R106	1-216-081-00	METAL GLAZE	22K 5% 1/10W
R020	1-216-065-00	METAL GLAZE	4.7K 5% 1/10W	R109	1-216-190-00	METAL GLAZE	470 5% 1/8W
R021	1-216-049-00	METAL GLAZE	1K 5% 1/10W	R110	1-249-437-11	CARBON	47K 5% 1/4W
R022	1-216-198-00	METAL GLAZE	1K 5% 1/8W	R111	1-216-085-00	METAL GLAZE	33K 5% 1/10W
R023	1-216-051-00	METAL GLAZE	1.2K 5% 1/10W	R112	1-216-055-00	METAL GLAZE	1.8K 5% 1/10W
R024	1-216-065-00	METAL GLAZE	4.7K 5% 1/10W	R113	1-216-085-00	METAL GLAZE	33K 5% 1/10W
R025	1-216-097-00	METAL GLAZE	100K 5% 1/10W	R114	1-216-238-00	METAL GLAZE	47K 5% 1/8W
R026	1-216-089-00	METAL GLAZE	47K 5% 1/10W	R115	1-216-045-00	METAL GLAZE	680 5% 1/10W
R028	1-216-085-00	METAL GLAZE	33K 5% 1/10W	R116	1-216-049-00	METAL GLAZE	1K 5% 1/10W
R029	1-216-041-00	METAL GLAZE	470 5% 1/10W	R118	1-216-035-00	METAL GLAZE	270 5% 1/10W
R030	1-216-077-00	METAL GLAZE	15K 5% 1/10W	R119	1-216-045-00	METAL GLAZE	680 5% 1/10W
R031	1-216-073-00	METAL GLAZE	10K 5% 1/10W	R130	1-249-409-11	CARBON	220 5% 1/4W
R032	1-216-057-00	METAL GLAZE	2.2K 5% 1/10W	R131	1-216-041-00	METAL GLAZE	470 5% 1/10W
R033	1-216-057-00	METAL GLAZE	2.2K 5% 1/10W	R132	1-216-295-00	METAL GLAZE	0 5% 1/10W
R034	1-216-238-00	METAL GLAZE	47K 5% 1/8W	R134	1-216-121-00	METAL GLAZE	1M 5% 1/10W
R035	1-216-077-00	METAL GLAZE	15K 5% 1/10W	R135	1-249-430-11	CARBON	12K 5% 1/4W
R037	1-216-073-00	METAL GLAZE	10K 5% 1/10W	R136	1-216-041-00	METAL GLAZE	470 5% 1/10W
R038	1-216-073-00	METAL GLAZE	10K 5% 1/10W	R138	1-216-057-00	METAL GLAZE	2.2K 5% 1/10W
R039	1-216-073-00	METAL GLAZE	10K 5% 1/10W	R139	1-216-295-00	METAL GLAZE	0 5% 1/10W
R040	1-216-081-00	METAL GLAZE	22K 5% 1/10W	R140	1-216-037-00	METAL GLAZE	330 5% 1/10W
R041	1-216-081-00	METAL GLAZE	22K 5% 1/10W	R141	1-216-021-00	METAL GLAZE	68 5% 1/10W
R042	1-216-081-00	METAL GLAZE	22K 5% 1/10W	R142	1-216-063-00	METAL GLAZE	3.9K 5% 1/10W
R043	1-215-900-11	METAL OXIDE	22K 5% 2W	R143	1-216-033-00	METAL GLAZE	220 5% 1/10W
R044	1-216-105-00	METAL GLAZE	220K 5% 1/10W	R144	1-216-065-00	METAL GLAZE	4.7K 5% 1/10W
R045	1-216-089-00	METAL GLAZE	47K 5% 1/10W	R147	1-216-073-00	METAL GLAZE	10K 5% 1/10W
R046	1-216-081-00	METAL GLAZE	22K 5% 1/10W	R148	1-216-017-00	METAL GLAZE	47 5% 1/10W
R047	1-216-079-00	METAL GLAZE	18K 5% 1/10W	R149	1-216-182-00	METAL GLAZE	220 5% 1/8W
R048	1-216-202-00	METAL GLAZE	1.5K 5% 1/8W	R151	1-216-057-00	METAL GLAZE	2.2K 5% 1/10W
R049	1-216-073-00	METAL GLAZE	10K 5% 1/10W	R152	1-216-061-00	METAL GLAZE	3.3K 5% 1/10W
R050	1-216-250-00	METAL GLAZE	150K 5% 1/8W	R153	1-215-867-00	METAL OXIDE	470 5% 1W
R051	1-216-105-00	METAL GLAZE	220K 5% 1/10W	R201	1-216-073-00	METAL GLAZE	10K 5% 1/10W
R052	1-216-065-00	METAL GLAZE	4.7K 5% 1/10W	R202	1-216-057-00	METAL GLAZE	2.2K 5% 1/10W
R053	1-216-049-00	METAL GLAZE	1K 5% 1/10W	R203	1-216-298-00	METAL GLAZE	2.2 5% 1/10W
R054	1-249-395-11	CARBON	15 5% 1/4W	R204	1-247-741-11	CARBON	150 5% 1/2W
R055	1-216-057-00	METAL GLAZE	2.2K 5% 1/10W	R205	1-216-083-00	METAL GLAZE	27K 5% 1/10W
R056	1-216-041-00	METAL GLAZE	470 5% 1/10W	R206	1-216-035-00	METAL GLAZE	270 5% 1/10W
R058	1-249-434-11	CARBON	27K 5% 1/4W	R207	1-216-298-00	METAL GLAZE	2.2 5% 1/10W
R059	1-216-089-00	METAL GLAZE	47K 5% 1/10W	R303	1-216-033-00	METAL GLAZE	220 5% 1/10W
R060	1-216-234-00	METAL GLAZE	33K 5% 1/8W	R304	1-216-033-00	METAL GLAZE	220 5% 1/10W
R061	1-216-077-00	METAL GLAZE	15K 5% 1/10W	R305	1-216-033-00	METAL GLAZE	220 5% 1/10W
R062	1-216-242-00	METAL GLAZE	68K 5% 1/8W	R306	1-216-059-00	METAL GLAZE	2.7K 5% 1/10W
R064	1-216-091-00	METAL GLAZE	56K 5% 1/10W	R307	1-216-077-00	METAL GLAZE	15K 5% 1/10W
R075	1-216-240-00	METAL GLAZE	56K 5% 1/8W	R309	1-216-055-00	METAL GLAZE	1.8K 5% 1/10W
R076	1-216-198-00	METAL GLAZE	1K 5% 1/8W	R310	1-216-049-00	METAL GLAZE	1K 5% 1/10W
R077	1-216-077-00	METAL GLAZE	15K 5% 1/10W	R311	1-216-051-00	METAL GLAZE	1.2K 5% 1/10W
R078	1-216-049-00	METAL GLAZE	1K 5% 1/10W	R312	1-216-174-00	METAL GLAZE	100 5% 1/8W
R079	1-216-049-00	METAL GLAZE	1K 5% 1/10W	R313	1-216-174-00	METAL GLAZE	100 5% 1/8W
R081	1-216-198-00	METAL GLAZE	1K 5% 1/8W	R314	1-216-025-00	METAL GLAZE	100 5% 1/10W
R082	1-216-049-00	METAL GLAZE	1K 5% 1/10W	R315	1-216-047-00	METAL GLAZE	820 5% 1/10W
R083	1-216-065-00	METAL GLAZE	4.7K 5% 1/10W	R317	1-216-202-00	METAL GLAZE	1.5K 5% 1/8W
R084	1-216-057-00	METAL GLAZE	2.2K 5% 1/10W	R320	1-216-057-00	METAL GLAZE	2.2K 5% 1/10W
R087	1-216-027-00	METAL GLAZE	120 5% 1/10W				

The components identified by shading and mark **△** are critical for safety. Replace only with part number specified.

A

REF. NO.	PART NO.	DESCRIPTION	REMARK	REF. NO.	PART NO.	DESCRIPTION	REMARK
R321	1-216-023-00	METAL GLAZE	82 5% 1/10W	R502	1-247-743-11	CARBON	220 5% 1/2W
R322	1-216-053-00	METAL GLAZE	1.5K 5% 1/10W	R503	1-249-437-11	CARBON	47K 5% 1/4W
R323	1-216-192-00	METAL GLAZE	560 5% 1/8W	R504	1-216-017-00	METAL GLAZE	47 5% 1/10W
R324	1-216-065-00	METAL GLAZE	4.7K 5% 1/10W	R505	1-216-073-00	METAL GLAZE	10K 5% 1/10W
R325	1-249-410-11	CARBON	270 5% 1/4W	R507	1-216-350-11	METAL OXIDE	1.2 5% 1W F
R326	1-216-035-00	METAL GLAZE	270 5% 1/10W	R508	1-215-867-00	METAL OXIDE	470 5% 1W
R327	1-216-121-00	METAL GLAZE	1M 5% 1/10W	R510	1-216-061-00	METAL GLAZE	3.3K 5% 1/10W
R328	1-216-001-00	METAL GLAZE	10 5% 1/10W	R511	1-216-244-00	METAL GLAZE	82K 5% 1/8W
R329	1-216-109-00	METAL GLAZE	330K 5% 1/10W	R512	1-216-089-00	METAL GLAZE	47K 5% 1/10W
R330	1-216-244-00	METAL GLAZE	82K 5% 1/8W	R513	1-216-053-00	METAL GLAZE	1.5K 5% 1/10W
R331	1-216-113-00	METAL GLAZE	470K 5% 1/10W	R514	1-216-051-00	METAL GLAZE	1.2K 5% 1/10W
R332	1-216-270-00	METAL GLAZE	1M 5% 1/8W	R515	1-216-683-11	METAL CHIP	22K 0.50% 1/10W
R333	1-216-091-00	METAL GLAZE	56K 5% 1/10W	R516	1-216-095-00	METAL GLAZE	82K 5% 1/10W
R334	1-216-067-00	METAL GLAZE	5.6K 5% 1/10W	R517	1-216-031-00	METAL GLAZE	180 5% 1/10W
R335	1-216-001-00	METAL GLAZE	10 5% 1/10W	R518	1-216-033-00	METAL GLAZE	220 5% 1/10W
R336	1-216-059-00	METAL GLAZE	2.7K 5% 1/10W	R519	1-216-049-00	METAL GLAZE	1K 5% 1/10W
R337	1-216-073-00	METAL GLAZE	10K 5% 1/10W	R521	1-216-053-00	METAL GLAZE	1.5K 5% 1/10W
R338	1-216-073-00	METAL GLAZE	10K 5% 1/10W	R522	1-215-863-11	METAL OXIDE	100 5% 1W
R344	1-247-848-11	CARBON	5.1K 5% 1/4W	R523	1-216-053-00	METAL GLAZE	1.5K 5% 1/10W
R345	1-216-073-00	METAL GLAZE	10K 5% 1/10W	R524	1-216-099-00	METAL GLAZE	120K 5% 1/10W
R347	1-216-089-00	METAL GLAZE	47K 5% 1/10W	R525	1-216-065-00	METAL GLAZE	4.7K 5% 1/10W
R348	1-216-033-00	METAL GLAZE	220 5% 1/10W	R527	1-215-869-11	METAL OXIDE	1K 5% 1W
R349	1-216-029-00	METAL GLAZE	150 5% 1/10W	R532	1-216-081-00	METAL GLAZE	22K 5% 1/10W
R350	1-216-041-00	METAL GLAZE	470 5% 1/10W	R533	1-216-133-00	METAL GLAZE	3.3M 5% 1/10W
R351	1-216-043-00	METAL GLAZE	560 5% 1/10W	R534	1-216-069-00	METAL GLAZE	6.8K 5% 1/10W
R352	1-216-039-00	METAL GLAZE	390 5% 1/10W	R535	1-216-107-00	METAL GLAZE	270K 5% 1/10W
R353	1-249-438-11	CARBON	56K 5% 1/4W	R539	1-216-049-00	METAL GLAZE	1K 5% 1/10W
R354	1-216-081-00	METAL GLAZE	22K 5% 1/10W	R542	1-216-025-00	METAL GLAZE	100 5% 1/10W
R355	1-216-049-00	METAL GLAZE	1K 5% 1/10W	R543	1-249-408-11	CARBON	180 5% 1/4W
R356	1-216-041-00	METAL GLAZE	470 5% 1/10W	R545	1-216-278-00	METAL GLAZE	2.2M 5% 1/8W
R357	1-216-039-00	METAL GLAZE	390 5% 1/10W	R548	1-216-049-00	METAL GLAZE	1K 5% 1/10W
R358	1-216-089-00	METAL GLAZE	47K 5% 1/10W	R601 △	1-205-909-11	WIREWOUND	3.3 5% 10W F
R359	1-216-238-00	METAL GLAZE	47K 5% 1/8W	R602	1-214-923-00	CARBON	270K 5% 1/2W
R363	1-216-222-00	METAL GLAZE	10K 5% 1/8W	R603	1-215-903-11	METAL OXIDE	68K 5% 2W
R364	1-216-222-00	METAL GLAZE	10K 5% 1/8W	R604	1-247-752-11	CARBON	1K 5% 1/2W
R402	1-216-172-00	METAL GLAZE	82 5% 1/8W	R605 △	1-218-265-91	METAL GLAZE	8.2M 5% 1W
R403	1-216-023-00	METAL GLAZE	82 5% 1/10W	R606	1-212-877-11	FUSIBLE	68 5% 1/4W
R404	1-216-023-00	METAL GLAZE	82 5% 1/10W	R608	1-215-884-11	METAL OXIDE	47 5% 2W
R405	1-216-023-00	METAL GLAZE	82 5% 1/10W	R609	1-207-905-00	WIREWOUND	0.27 10% 2W
R406	1-216-226-00	METAL GLAZE	15K 5% 1/8W	R611	1-214-915-00	CARBON	120K 5% 1/2W
R407	1-216-226-00	METAL GLAZE	15K 5% 1/8W	R612	1-219-137-11	FUSIBLE	0.33 5% 1/4W
R408	1-216-091-00	METAL GLAZE	56K 5% 1/10W	R613	1-217-811-11	FUSIBLE	0.47 5% 1/4W
R409	1-216-023-00	METAL GLAZE	82 5% 1/10W	R614	1-216-037-00	METAL GLAZE	330 5% 1/10W
R411	1-216-037-00	METAL GLAZE	330 5% 1/10W	R615	1-216-013-00	METAL GLAZE	33 5% 1/10W
R412	1-216-037-00	METAL GLAZE	330 5% 1/10W	R616	1-216-105-00	METAL GLAZE	220K 5% 1/10W
R413	1-216-037-00	METAL GLAZE	330 5% 1/10W	R617	1-216-354-11	METAL OXIDE	2.7 5% 1W F
R414	1-216-049-00	METAL GLAZE	1K 5% 1/10W	R620	1-216-465-11	METAL OXIDE	27K 5% 2W
R420	1-216-182-00	METAL GLAZE	220 5% 1/8W	R621	1-216-465-11	METAL OXIDE	27K 5% 2W
R421	1-216-449-11	METAL OXIDE	56 5% 2W	R801	1-217-778-11	FUSIBLE	1K 5% 1W F
R423	1-216-095-00	METAL GLAZE	82K 5% 1/10W	R802	1-217-826-11	FUSIBLE	10K 5% 1/4W
R424	1-216-073-00	METAL GLAZE	10K 5% 1/10W	R803	1-216-355-11	METAL OXIDE	3.3 5% 1W F
R425	1-216-033-00	METAL GLAZE	220 5% 1/10W	R804	1-216-013-00	METAL GLAZE	33 5% 1/10W
R426	1-216-045-00	METAL GLAZE	680 5% 1/10W	R805	1-216-073-00	METAL GLAZE	10K 5% 1/10W
R427	1-216-049-00	METAL GLAZE	1K 5% 1/10W	R806	1-216-049-00	METAL GLAZE	1K 5% 1/10W
R428	1-216-073-00	METAL GLAZE	10K 5% 1/10W	R807	1-216-071-00	METAL GLAZE	8.2K 5% 1/10W
R430	1-216-077-00	METAL GLAZE	15K 5% 1/10W	R808	1-216-091-00	METAL GLAZE	56K 5% 1/10W
R431	1-216-077-00	METAL GLAZE	15K 5% 1/10W	R809	1-216-083-00	METAL GLAZE	27K 5% 1/10W
R432	1-249-402-11	CARBON	56 5% 1/4W	R810	1-216-121-00	METAL GLAZE	1M 5% 1/10W
R433	1-216-079-00	METAL GLAZE	18K 5% 1/10W	R811	1-216-099-00	METAL GLAZE	120K 5% 1/10W
R434	1-216-029-00	METAL GLAZE	150 5% 1/10W	R812	1-215-869-11	METAL OXIDE	1K 5% 1W F
R435	1-216-033-00	METAL GLAZE	220 5% 1/10W	R813	1-212-877-11	FUSIBLE	68 5% 1/4W
R436	1-216-089-00	METAL GLAZE	47K 5% 1/10W	R814	1-217-820-11	FUSIBLE	3.3K 5% 1/4W
R437	1-216-085-00	METAL GLAZE	33K 5% 1/10W	R816	1-247-889-00	CARBON	270K 5% 1/4W
R501	1-216-214-00	METAL GLAZE	4.7K 5% 1/8W				

(KV-M1621E ONLY)

The components identified by shading and mark **A** are critical for safety.
Replace only with part number specified.

V O **A**

REF. NO.	PART NO.	DESCRIPTION	REMARK	REF. NO.	PART NO.	DESCRIPTION	REMARK
R817	1-216-071-00	METAL GLAZE	8.2K 5% 1/10W	C702	1-163-127-00	CERAMIC CHIP 270PF	5% 50V
R818	1-202-830-00	SOLID	10K 10% 1/2W	C703	1-163-129-00	CERAMIC CHIP 330PF	5% 50V
R819	1-217-811-11	FUSIBLE	0.47 5% 1/4W	C704	1-163-005-11	CERAMIC CHIP 470PF	10% 50V
R820	1-217-811-11	FUSIBLE	0.47 5% 1/4W	C705	1-163-005-11	CERAMIC CHIP 470PF	10% 50V
R821	1-216-059-00	METAL GLAZE	2.7K 5% 1/10W	C706	1-163-005-11	CERAMIC CHIP 470PF	10% 50V
R822	1-216-204-00	METAL GLAZE	1.8K 5% 1/8W	C707	1-123-947-00	ELECT 10MF	20% 250V
R824	1-215-863-11	METAL OXIDE	100 5% 1W F	C708	1-162-116-00	CERAMIC 680PF	10% 2KV
R826	1-216-025-00	METAL GLAZE	100 5% 1/10W	C709	1-136-666-11	FILM 0.01MF	5% 1KV
R827	1-216-081-00	METAL GLAZE	22K 5% 1/10W	C710	1-124-477-11	ELECT 47MF	20% 16V
R850	1-215-859-00	METAL OXIDE	22 5% 1W F	C711	1-163-009-11	CERAMIC CHIP 0.001MF	10% 50V
<VARIABLE RESISTOR>				C712	1-163-009-11	CERAMIC CHIP 0.001MF	10% 50V
RV001	1-238-012-11	RES, ADJ, CARBON	1K	C713	1-163-009-11	CERAMIC CHIP 0.001MF	10% 50V
RV501	1-238-016-11	RES, ADJ, CARBON	10K	C714	1-162-318-11	CERAMIC 0.001MF	10% 500V
RV502	1-226-703-11	RES, ADJ, METAL GLAZE	10K	<CONNECTOR>			
RV503	1-238-019-11	RES, ADJ, CARBON	47K	CNC71	*1-508-786-00	PIN, CONNECTOR (5MM PITCH)	2P
RV504	1-238-019-11	RES, ADJ, CARBON	47K	CNC72	*1-560-123-00	PLUG, CONNECTOR (2.5MM)	3P
RV505	1-238-009-11	RES, ADJ, CARBON	220	CNC73	*1-568-881-51	PIN, CONNECTOR	6P
RV801	1-238-019-11	RES, ADJ, CARBON	47K	CNC74	*1-508-765-00	PIN, CONNECTOR (5MM PITCH)	3P
<SWITCH>				<DIODE>			
S001	1-571-532-21	SWITCH, TACTIL		D701	8-719-400-18	DIODE MA152WK	
S002	1-571-532-21	SWITCH, TACTIL		D702	8-719-400-18	DIODE MA152WK	
S003	1-571-532-21	SWITCH, TACTIL		D703	8-719-400-18	DIODE MA152WK	
S601	A 1-571-433-11	SWITCH, PUSH (AC POWER)		D704	8-719-400-18	DIODE MA152WK	
<SPARK GAP>				D705	8-719-400-18	DIODE MA152WK	
SG801	1-519-422-11	GAP, SPARK		D706	8-719-911-19	DIODE 1SS119	
<TRANSFORMER>				D707	8-719-400-18	DIODE MA152WK	
T601	A 1-450-217-21	S.R.T		D708	8-719-400-18	DIODE MA152WK	
T603	A 1-421-776-11	LFT		D709	8-719-400-18	DIODE MA152WK	
T604	A 1-424-078-11	TRANSFORMER, TRIGGER PULSE		D710	8-719-800-76	DIODE 1SS226	
T605	A 1-424-391-11	TRANSFORMER, LINE FILTER		D711	8-719-800-76	DIODE 1SS226	
T801	1-437-090-00	HDT		D712	8-719-800-76	DIODE 1SS226	
T802	A 1-439-432-11	TRANSFORMER ASSY, FLYBACK (UX-1620)		<JACK>			
<THERMISTOR>				J901	1-526-814-11	SOCKET, PICTURE TUBE	
THP601	A 1-806-165-12	THERMISTOR (POSITIVE)		<COIL>			
<TUNER>				L701	1-407-496-00	INDUCTOR	2.2MMH
TU101	A 1-465-541-11	TUNER TERB1X054A (BT-3C 301)		<TRANSISTOR>			
<CRYSTAL>				Q701	8-729-271-22	TRANSISTOR 2SC2712-G	
X001	1-577-619-11	VIBRATOR, CRYSTAL		Q702	8-729-271-22	TRANSISTOR 2SC2712-G	
X332	1-567-131-00	OSCILLATOR, CRYSTAL		Q703	8-729-271-22	TRANSISTOR 2SC2712-G	
*****				Q704	8-729-906-70	TRANSISTOR BF871	
*A-1638-012-A	C BOARD, COMPLETE			Q705	8-729-906-70	TRANSISTOR BF871	
*****				Q706	8-729-906-70	TRANSISTOR BF871	
*4-374-704-01	COVER (REAR LID), CV VOL			Q707	8-729-200-17	TRANSISTOR 2SA1091-0	
*4-374-717-01	COVER (MAIN), CV VOL			Q708	8-729-200-17	TRANSISTOR 2SA1091-0	
<CAPACITOR>				Q709	8-729-200-17	TRANSISTOR 2SA1091-0	
C701	1-163-127-00	CERAMIC CHIP 270PF	5% 50V	<RESISTOR>			
R701	1-216-061-00	METAL GLAZE	3.3K 5% 1/10W	R701	1-216-061-00	METAL GLAZE	3.3K 5% 1/10W
R702	1-216-210-00	METAL GLAZE	3.3K 5% 1/8W	R702	1-216-210-00	METAL GLAZE	3.3K 5% 1/8W
R703	1-216-045-00	METAL GLAZE	680 5% 1/10W	R703	1-216-045-00	METAL GLAZE	680 5% 1/10W
R704	1-216-045-00	METAL GLAZE	680 5% 1/10W	R704	1-216-045-00	METAL GLAZE	680 5% 1/10W
R705	1-216-017-00	METAL GLAZE	47 5% 1/10W	R705	1-216-017-00	METAL GLAZE	47 5% 1/10W
R706	1-216-017-00	METAL GLAZE	47 5% 1/10W				

The components identified by shading and mark **A** are critical for safety.
Replace only with part number specified.

C **V**

REF. NO.	PART NO.	DESCRIPTION	REMARK	REF. NO.	PART NO.	DESCRIPTION	REM
R707	1-216-017-00	METAL GLAZE	47 5% 1/10W	C52	1-163-038-00	CERAMIC CHIP 0.1MF	25V
R708	1-216-198-00	METAL GLAZE	1K 5% 1/8W	C53	1-163-038-00	CERAMIC CHIP 0.1MF	25V
R709	1-216-196-00	METAL GLAZE	820 5% 1/8W	C54	1-163-038-00	CERAMIC CHIP 0.1MF	25V
R710	1-249-413-11	CARBON	470 5% 1/4W	C55	1-163-038-00	CERAMIC CHIP 0.1MF	25V
R711	1-216-061-00	METAL GLAZE	3.3K 5% 1/10W	C56	1-163-038-00	CERAMIC CHIP 0.1MF	25V
R712	1-247-893-11	CARBON	390K 5% 1/4W	C57	1-163-117-00	CERAMIC CHIP 100PF	5% 50V
R713	1-247-883-00	CARBON	150K 5% 1/4W	C58	1-163-117-00	CERAMIC CHIP 100PF	5% 50V
R714	1-216-198-00	METAL GLAZE	1K 5% 1/8W	<CONNECTOR>			
R715	1-216-198-00	METAL GLAZE	1K 5% 1/8W	CNV01	*1-565-393-11	CONNECTOR, BOARD TO BOARD	
R716	1-216-049-00	METAL GLAZE	1K 5% 1/10W	CNV02	*1-565-393-11	CONNECTOR, BOARD TO BOARD	
R717	1-202-824-00	SOLID	3.3K 10% 1/2W	CNV03	*1-508-784-00	PIN, CONNECTOR (5MM PITCH) 1P	
R718	1-202-824-00	SOLID	3.3K 10% 1/2W	<TRIMMER>			
R719	1-202-824-00	SOLID	3.3K 10% 1/2W	CT01	1-141-392-11	CAP, VAR, TRIMMER (1 GANG)	
R720	1-216-463-00	METAL OXIDE	12K 5% 2W	<DIODE>			
R721	1-216-463-00	METAL OXIDE	12K 5% 2W	D01	8-719-105-91	DIODE RD5.6M-B2	
R722	1-216-463-00	METAL OXIDE	12K 5% 2W	D02	8-719-106-79	DIODE RD13M-B1	
R726	1-202-719-00	SOLID	1M 10% 1/2W	D03	8-719-400-18	DIODE MA152WK	
R727	1-202-838-00	SOLID	100K 10% 1/2W	D07	8-719-106-17	DIODE RD6.8M-B2	
R728	1-202-842-11	SOLID	220K 10% 1/2W	D08	8-719-106-17	DIODE RD6.8M-B2	
R729	1-216-349-00	METAL OXIDE	1 5% 1W F	D11	8-719-104-34	DIODE 1S2836	
R731	1-202-719-00	SOLID	1M 10% 1/2W	<IC>			
R732	1-216-262-00	METAL GLAZE	470K 5% 1/8W	IC2	8-759-037-64	IC SDA5231-2	
R734	1-216-057-00	METAL GLAZE	2.2K 5% 1/10W	IC3	8-759-032-98	IC SDA5243	
R735	1-216-057-00	METAL GLAZE	2.2K 5% 1/10W	IC4	8-752-331-22	IC CXK5864BSP-10L	
R736	1-249-421-11	CARBON	2.2K 5% 1/4W	<COIL>			
<VARIABLE RESISTOR>							
RV701	1-228-721-00	RES, ADJ, CERAMIC CARBON	2.2K	L01	1-408-411-00	INDUCTOR	15UH
RV702	1-228-721-00	RES, ADJ, CERAMIC CARBON	2.2K	L04	1-408-407-00	INDUCTOR	6.8UH
RV703	1-230-641-11	RES, ADJ, METAL GLAZE	2.2M	L05	1-408-407-00	INDUCTOR	6.8UH
RV704	1-230-641-11	RES, ADJ, METAL GLAZE	2.2M	L06	1-408-407-00	INDUCTOR	6.8UH
RV705	1-230-798-11	RES, ADJ, METAL GLAZE	90M	<IC LINK>			

*A-1645-011-A V BOARD, COMPLETE (KV-M1621E ONLY)							

<CAPACITOR>							
C01	1-124-119-00	ELECT	330MF 20% 16V	<TRANSISTOR>			
C02	1-124-120-11	ELECT	220MF 20% 16V	Q01	8-729-202-03	TRANSISTOR 2SD1408-Y	
C03	1-124-119-00	ELECT	330MF 20% 16V	Q02	8-729-807-50	TRANSISTOR 2SD1623-R	
C05	1-126-101-11	ELECT	100MF 20% 16V	Q03	8-729-923-80	TRANSISTOR DTC143EK	
C06	1-124-120-11	ELECT	220MF 20% 16V	Q04	8-729-271-22	TRANSISTOR 2SC2712-G	
C07	1-130-834-00	MYLAR	1MF 10% 63V	Q05	8-729-807-50	TRANSISTOR 2SD1623-R	
C08	1-163-097-00	CERAMIC CHIP	15PF 5% 50V	Q07	8-729-900-98	TRANSISTOR DTC143TK	
C09	1-163-141-00	CERAMIC CHIP	0.001MF 5% 50V	Q09	8-729-807-87	TRANSISTOR 2SB1295-UL6	
C10	1-163-133-00	CERAMIC CHIP	470PF 5% 50V	Q10	8-729-807-87	TRANSISTOR 2SB1295-UL6	
C11	1-163-037-11	CERAMIC CHIP	0.022MF 10% 25V	Q11	8-729-807-87	TRANSISTOR 2SB1295-UL6	
C12	1-163-127-00	CERAMIC CHIP	270PF 5% 50V	<RESISTOR>			
C13	1-163-117-00	CERAMIC CHIP	100PF 5% 50V	JW1	1-216-295-00	METAL GLAZE	0 5% 1/10W
C14	1-163-097-00	CERAMIC CHIP	15PF 5% 50V	JW2	1-216-295-00	METAL GLAZE	0 5% 1/10W
C15	1-163-103-00	CERAMIC CHIP	27PF 5% 50V	JW3	1-216-295-00	METAL GLAZE	0 5% 1/10W
C16	1-164-232-11	CERAMIC CHIP	0.01MF 10% 50V	JW4	1-216-295-00	METAL GLAZE	0 5% 1/10W
C17	1-163-809-11	CERAMIC CHIP	0.047MF 10% 25V	JW5	1-216-295-00	METAL GLAZE	0 5% 1/10W
C18	1-163-099-00	CERAMIC CHIP	18PF 5% 50V				
C19	1-163-809-11	CERAMIC CHIP	0.047MF 10% 25V				
C20	1-163-125-00	CERAMIC CHIP	220PF 5% 50V				
C21	1-163-833-00	CERAMIC CHIP	0.068MF 25V				
C24	1-126-101-11	ELECT	100MF 20% 16V				
C25	1-124-477-11	ELECT	47MF 20% 16V				
C27	1-163-129-00	CERAMIC CHIP	330PF 5% 50V				
C28	1-163-137-00	CERAMIC CHIP	680PF 5% 50V				
C51	1-163-038-00	CERAMIC CHIP	0.1MF 25V				

The components identified by shading and mark Δ are critical for safety.
Replace only with part number specified.

REF. NO.	PART NO.	DESCRIPTION	REMARK	REF. NO.	PART NO.	DESCRIPTION	REM
JW6	1-216-295-00	METAL GLAZE	0 5% 1/10W				
JW7	1-216-295-00	METAL GLAZE	0 5% 1/10W				
JW8	1-216-295-00	METAL GLAZE	0 5% 1/10W				
JW9	1-216-295-00	METAL GLAZE	0 5% 1/10W				
JW10	1-216-295-00	METAL GLAZE	0 5% 1/10W				
JW11	1-216-295-00	METAL GLAZE	0 5% 1/10W				
JW12	1-216-295-00	METAL GLAZE	0 5% 1/10W				
JW13	1-216-295-00	METAL GLAZE	0 5% 1/10W				
JW14	1-216-295-00	METAL GLAZE	0 5% 1/10W				
JW15	1-216-295-00	METAL GLAZE	0 5% 1/10W				
JW16	1-216-295-00	METAL GLAZE	0 5% 1/10W				
JW17	1-216-295-00	METAL GLAZE	0 5% 1/10W				
JW18	1-216-295-00	METAL GLAZE	0 5% 1/10W				
JW19	1-216-295-00	METAL GLAZE	0 5% 1/10W				
JW20	1-216-295-00	METAL GLAZE	0 5% 1/10W				
JW21	1-216-295-00	METAL GLAZE	0 5% 1/10W				
JW22	1-216-295-00	METAL GLAZE	0 5% 1/10W				
JW23	1-216-295-00	METAL GLAZE	0 5% 1/10W				
JW24	1-216-295-00	METAL GLAZE	0 5% 1/10W				
JW25	1-216-295-00	METAL GLAZE	0 5% 1/10W				
R01	1-218-326-11	METAL GLAZE	470 5% 1/2W				
R02	1-216-049-00	METAL GLAZE	1K 5% 1/10W				
R04	1-218-326-11	METAL GLAZE	470 5% 1/2W				
R05	1-216-025-00	METAL GLAZE	100 5% 1/10W				
R06	1-216-049-00	METAL GLAZE	1K 5% 1/10W				
R07	1-216-025-00	METAL GLAZE	100 5% 1/10W				
R08	1-216-037-00	METAL GLAZE	330 5% 1/10W				
R09	1-216-091-00	METAL GLAZE	56K 5% 1/10W				
R13	1-216-025-00	METAL GLAZE	100 5% 1/10W				
R14	1-216-025-00	METAL GLAZE	100 5% 1/10W				
R19	1-216-037-00	METAL GLAZE	330 5% 1/10W				
R20	1-216-063-00	METAL GLAZE	3.9K 5% 1/10W				
R27	1-216-013-00	METAL GLAZE	33 5% 1/10W				
R28	1-216-013-00	METAL GLAZE	33 5% 1/10W				
R29	1-216-013-00	METAL GLAZE	33 5% 1/10W				
R30	1-218-325-11	METAL GLAZE	120 5% 1/4W				
R31	1-218-325-11	METAL GLAZE	120 5% 1/4W				
R32	1-218-325-11	METAL GLAZE	120 5% 1/4W				
R33	1-216-023-00	METAL GLAZE	82 5% 1/10W				
R34	1-216-049-00	METAL GLAZE	1K 5% 1/10W				
R37	1-216-025-00	METAL GLAZE	100 5% 1/10W				
R38	1-216-047-00	METAL GLAZE	820 5% 1/10W				
R45	1-216-049-00	METAL GLAZE	1K 5% 1/10W				
R46	1-216-311-00	METAL GLAZE	6.8 5% 1/10W				
R51	1-216-065-00	METAL GLAZE	4.7K 5% 1/10W				
R52	1-216-065-00	METAL GLAZE	4.7K 5% 1/10W				
R53	1-216-065-00	METAL GLAZE	4.7K 5% 1/10W				
R54	1-216-065-00	METAL GLAZE	4.7K 5% 1/10W				
R55	1-216-057-00	METAL GLAZE	2.2K 5% 1/10W				
<VARIABLE RESISTOR>							
RV01	1-238-012-11	RES. ADJ. CARBON 1K					
<CRYSTAL>							
X01	1-567-162-00	OSCILLATOR, CRYSTAL					
X02	1-567-495-11	OSCILLATOR, CRYSTAL					

MISCELLANEOUS							

	Δ 1-426-317-21	COIL, DEGAUSSING					

	Δ 1-451-304-21	DEFLECTION YOKE (Y16SXA)	
	1-452-032-00	MAGNET, DISK; 10MM ϕ	
	1-452-094-00	MAGNET, ROTATABLE DISK; 15MM ϕ	
	1-452-277-00	MAGNET, BMC	
	1-544-374-11	SPEAKER	
	Δ 1-590-129-11	CORD, POWER (WITH CONNECTOR)	
V901	Δ 8-738-852-05	PICTURE TUBE (A37JUW10X)	

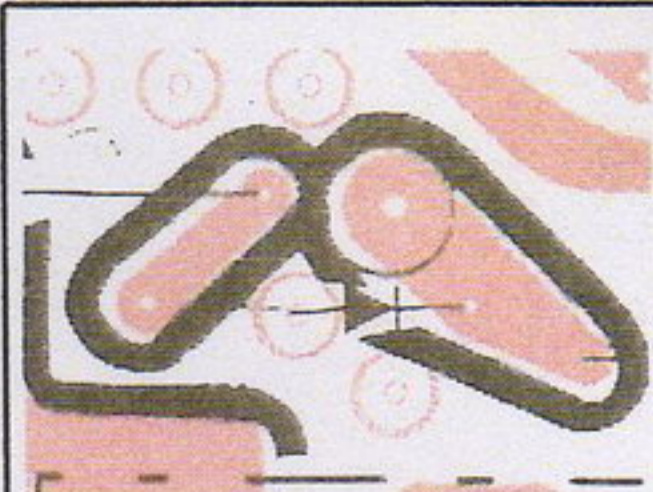
ACCESSORIES AND PACKING MATERIALS

PART NO.	DESCRIPTION	REM
1-417-154-11	MATCHING TRANSFORMER, ANTENNA	
1-501-372-21	ANTENNA, TELESCOPIC	
4-200-574-71	MANUAL, INSTRUCTION (SPANISH)	
4-200-574-81	MANUAL, INSTRUCTION (PORTUGUESE)	
	(KV-M1620E 0	
*4-200-576-01	INDIVIDUAL CARTON	
*4-200-577-01	CUSHION (UPPER) (ASSY)	
*4-200-578-01	CUSHION (LOWER) (ASSY)	
*4-384-927-01	BAG, PROTECTION	

REMOTE COMMANDER

1-465-562-11	CONTROL UNIT, REMOTE (RM-694)	
4-395-610-01	COVER, BATTERY (FOR RM-694)	

A



NOTE:

The circuit indicated as left contains high voltage of over 600 Vp-p. Care must be paid to prevent an electric shock in inspection or repairing.

