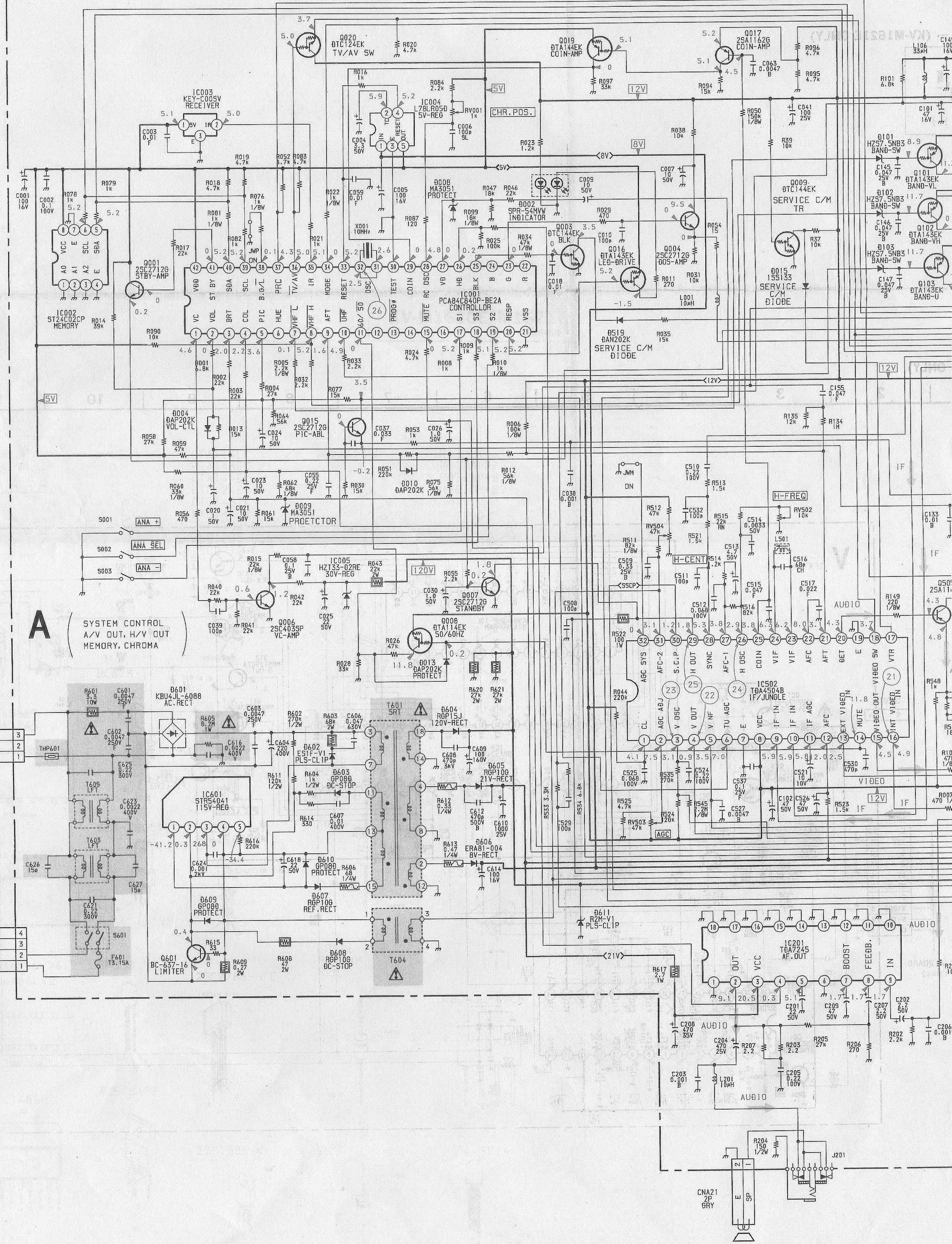
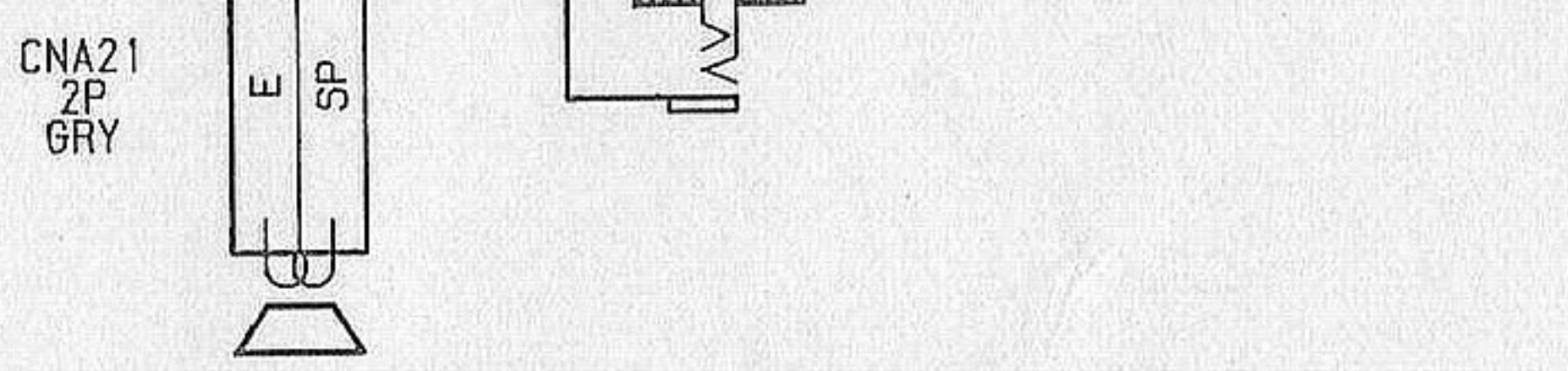
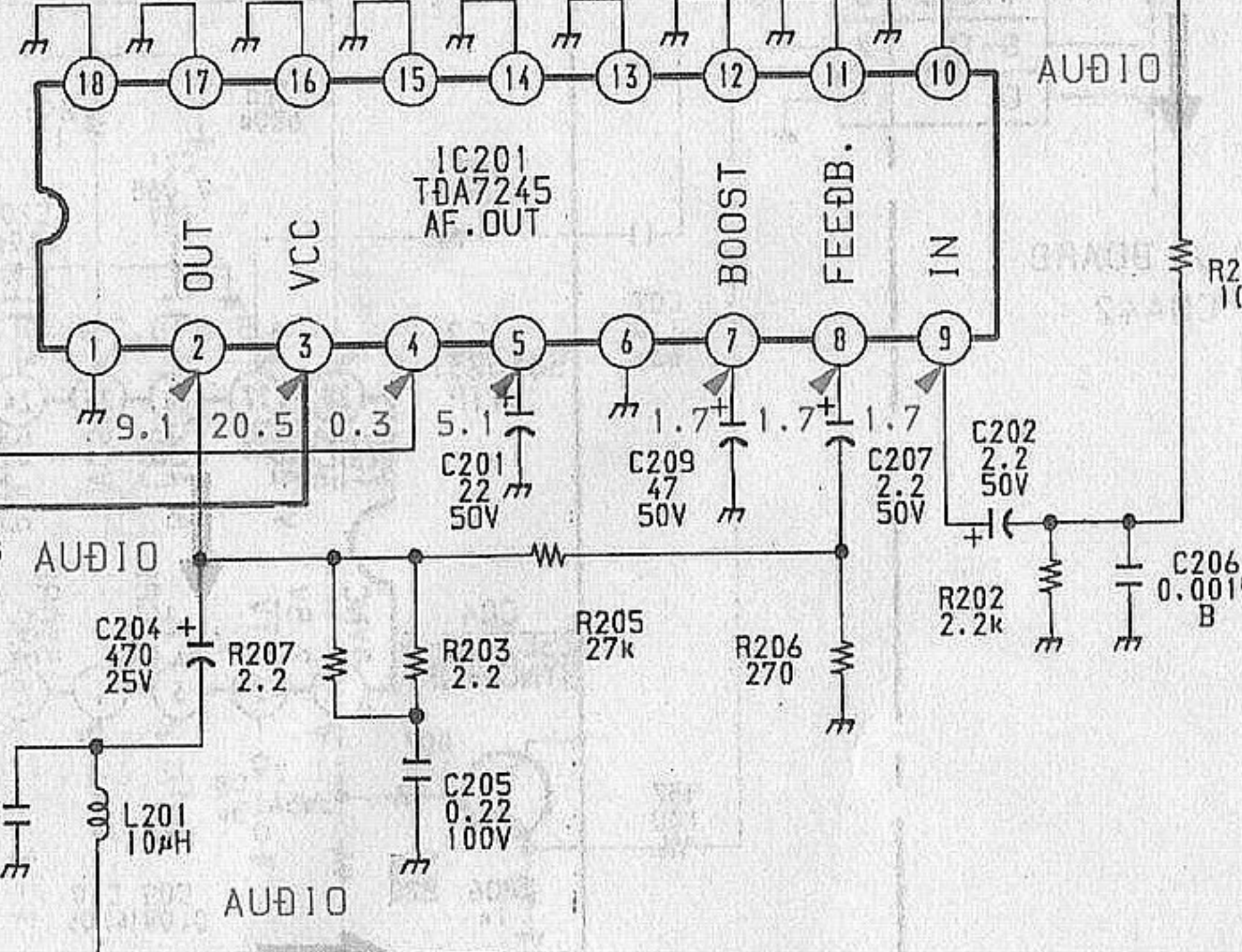
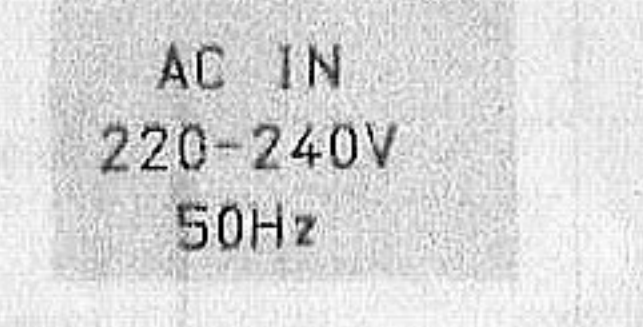
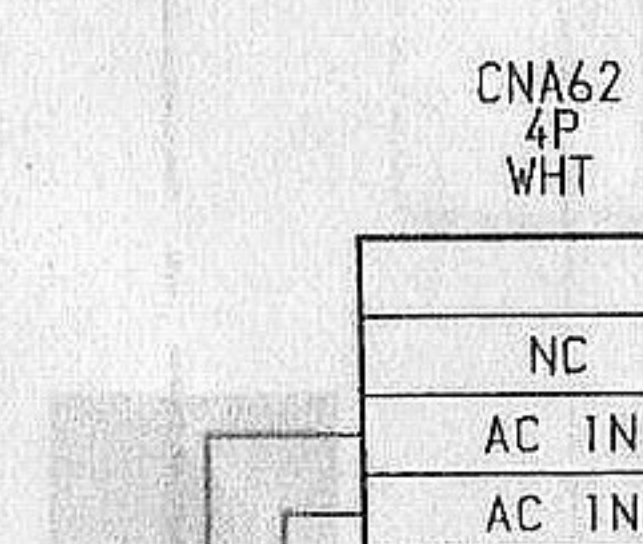
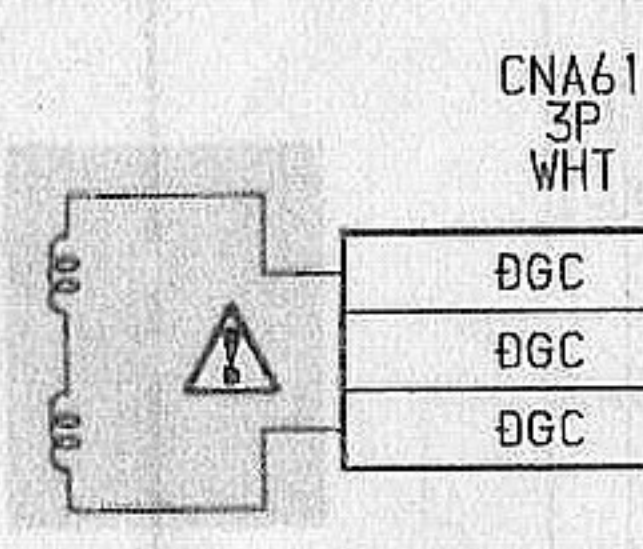


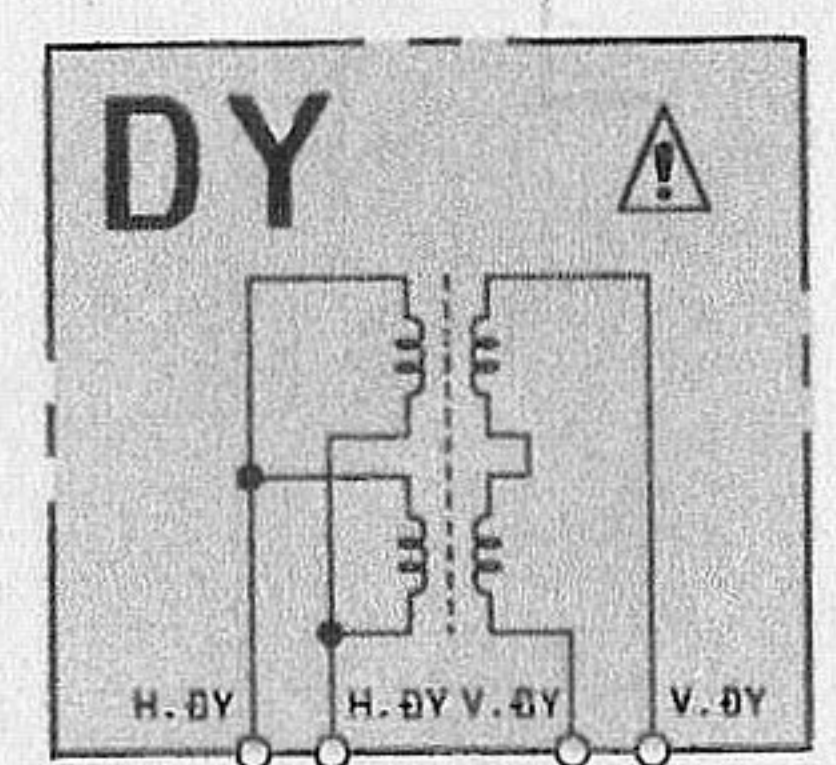
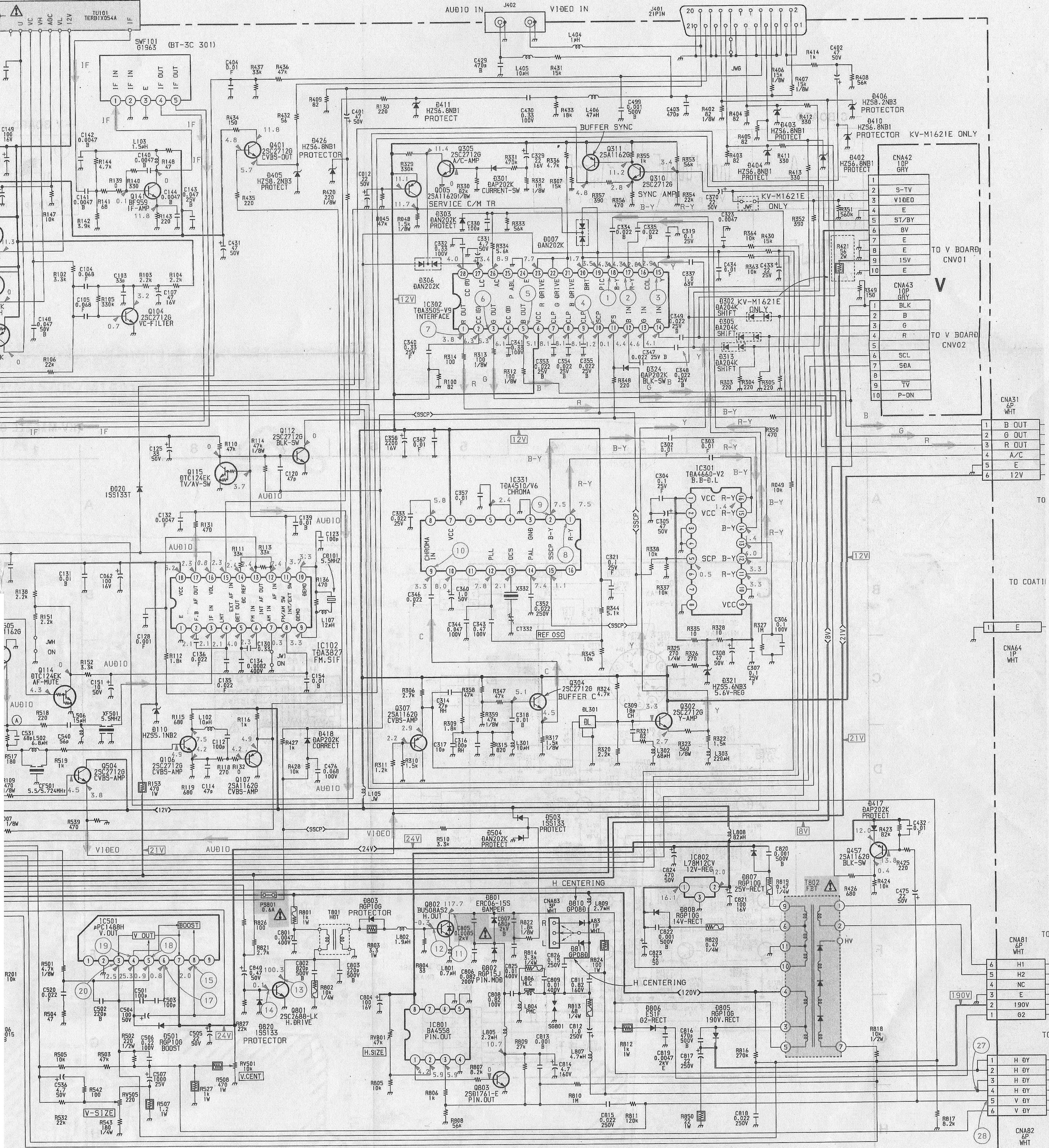
ANTENNA

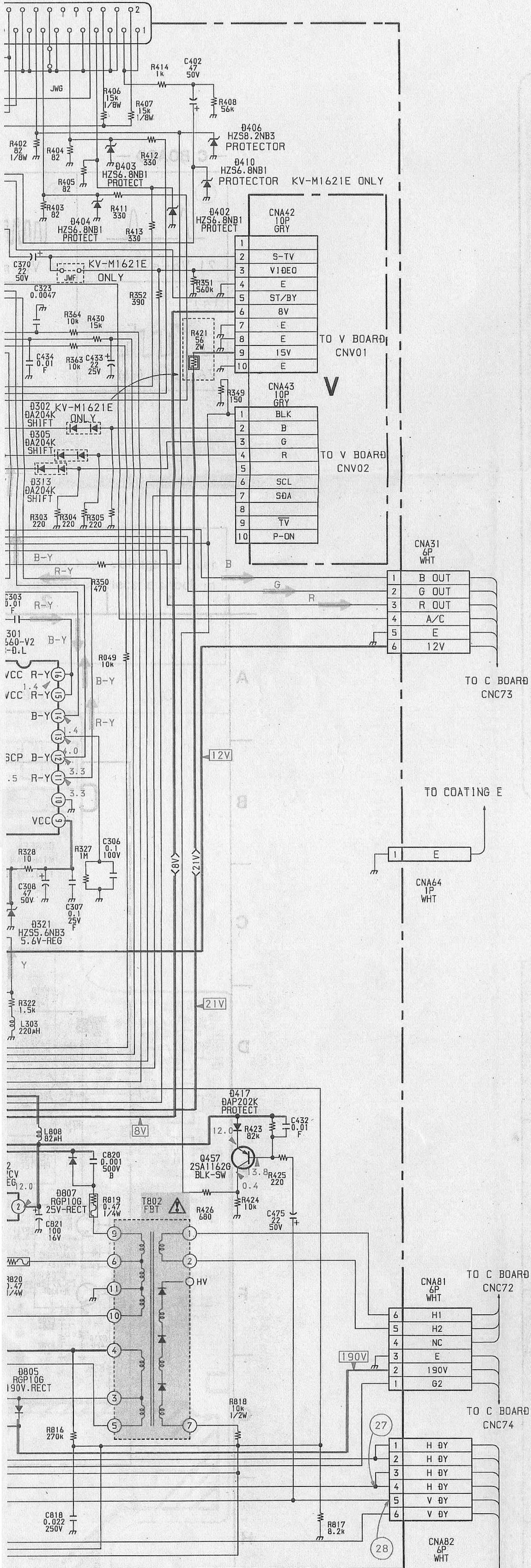
C115
0.01
F



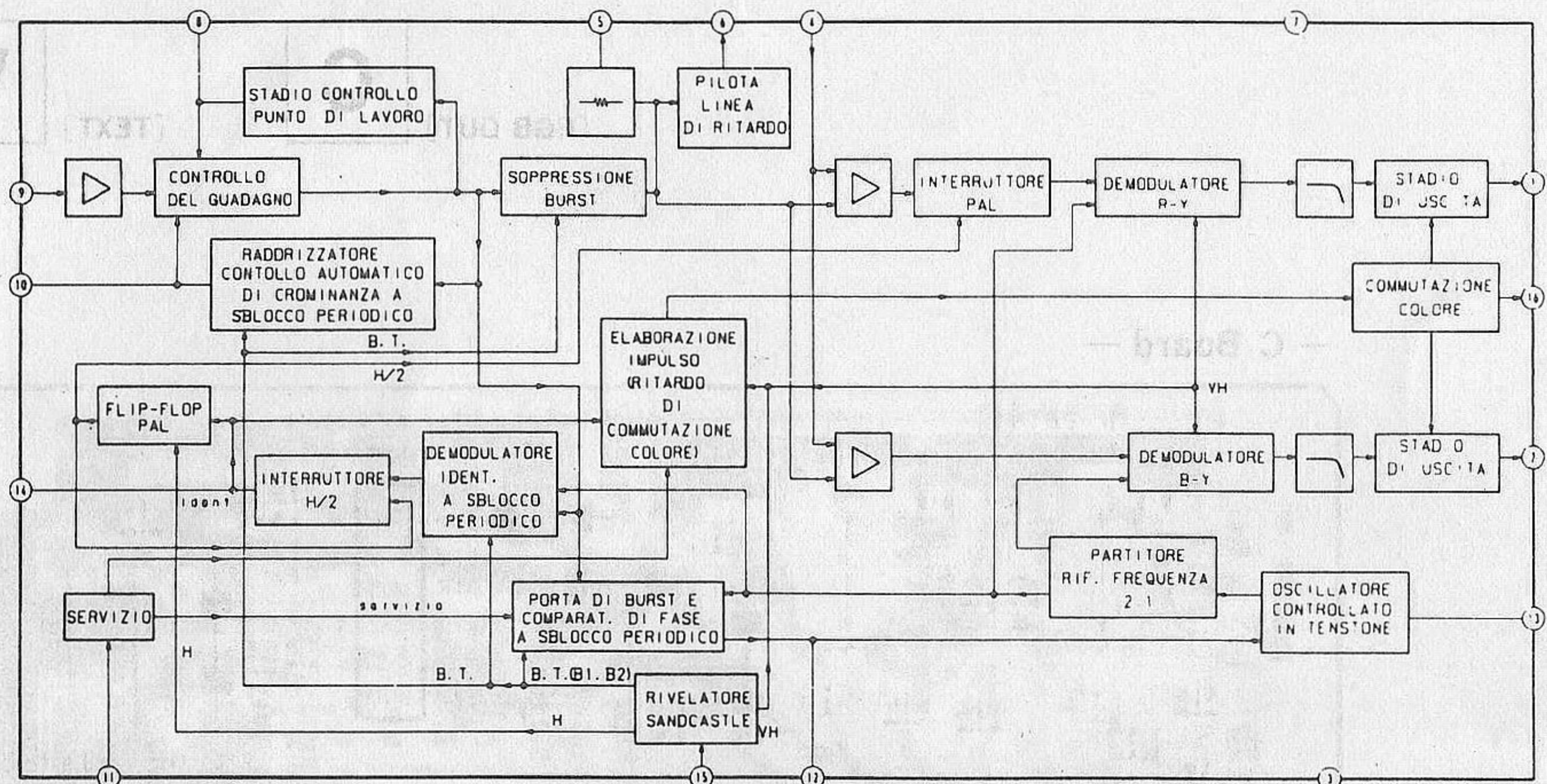
A (SYSTEM CONTROL
A/V OUT, H/V OUT
MEMORY, CHROMA)



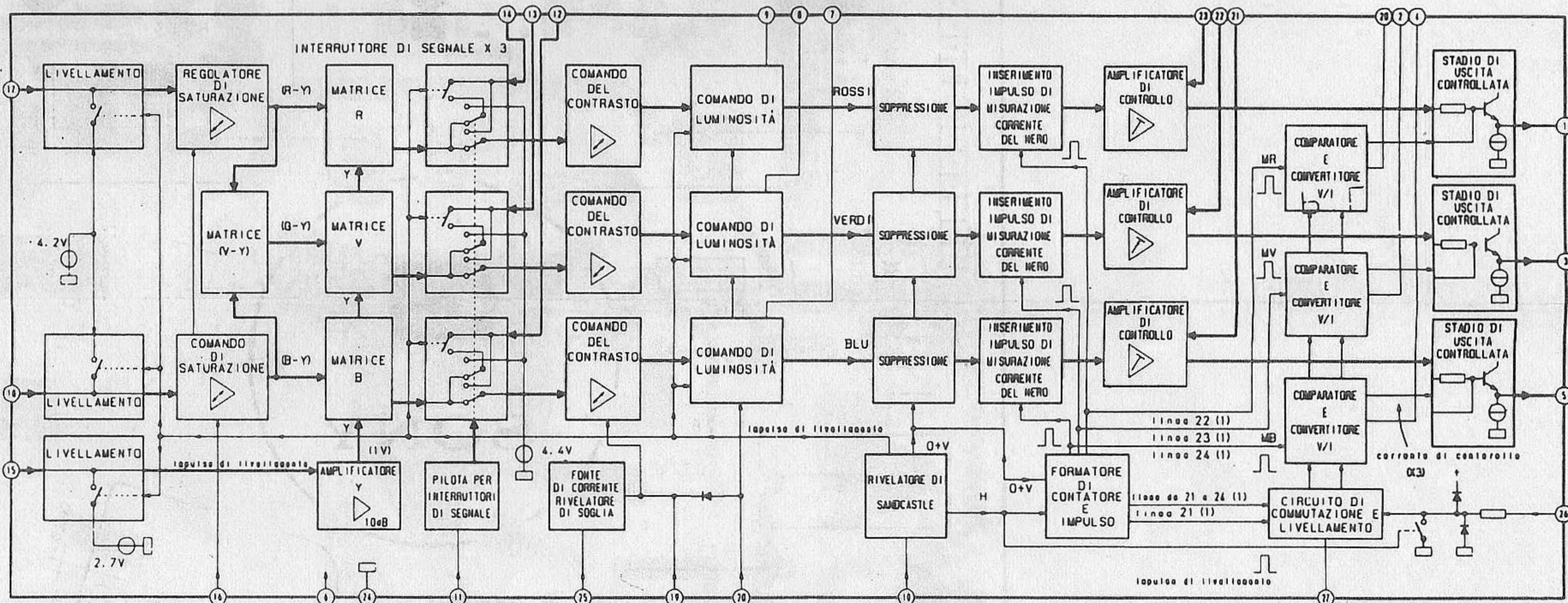




A BOARD IC331 TDA4510-V6



A BOARD IC302 TDA3505-V9



- A BOARD -

① 1.5Vp-p (H)	② 1.2Vp-p (H)	③ 0.5Vp-p (H)
④ 8.5Vp-p (H)	⑤ 3.2Vp-p (H)	⑥ 3.2Vp-p (H)
⑦ 3.2Vp-p (H)	⑧ 0.6Vp-p (H)	⑨ 0.1Vp-p (H)
⑩ 0.24Vp-p (H)	⑪ 800Vp-p (H)	⑫ 11.0Vp-p (H)
⑬ 230Vp-p (H)	⑭ 1.4Vp-p (H)	⑮ 2.4Vp-p (V)
	⑰ 2.0Vp-p (V)	⑱ 1.3Vp-p (V)
⑲ 2.0Vp-p (V)	⑳ 50Vp-p (V)	㉑ 2.8Vp-p (H)
㉒ 1.6Vp-p (V)	㉓ 1.8Vp-p (V)	㉔ 1.8Vp-p (H)
㉕ 3.6Vp-p (H)	㉖ 1.7Vp-p (10MHz)	㉗ 135Vp-p (H)
㉘		