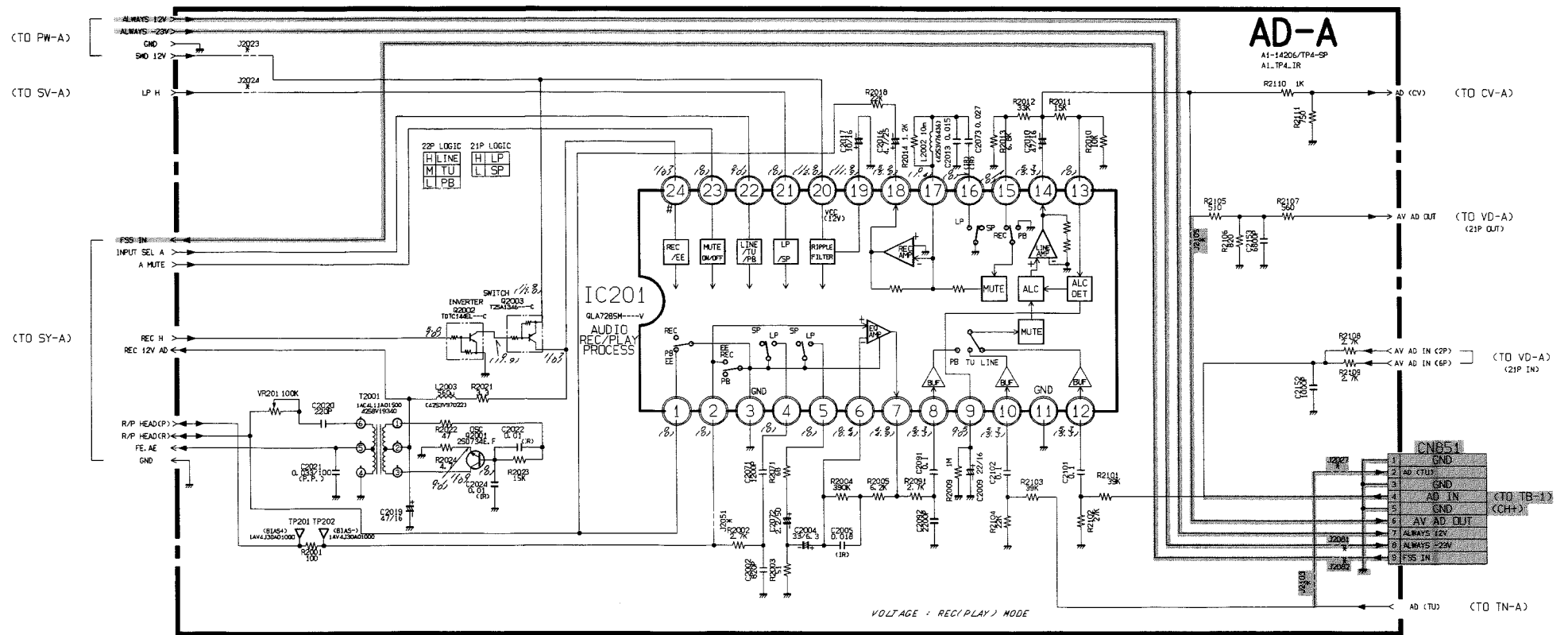


## CP-1 BOARD (AD-A) AUDIO



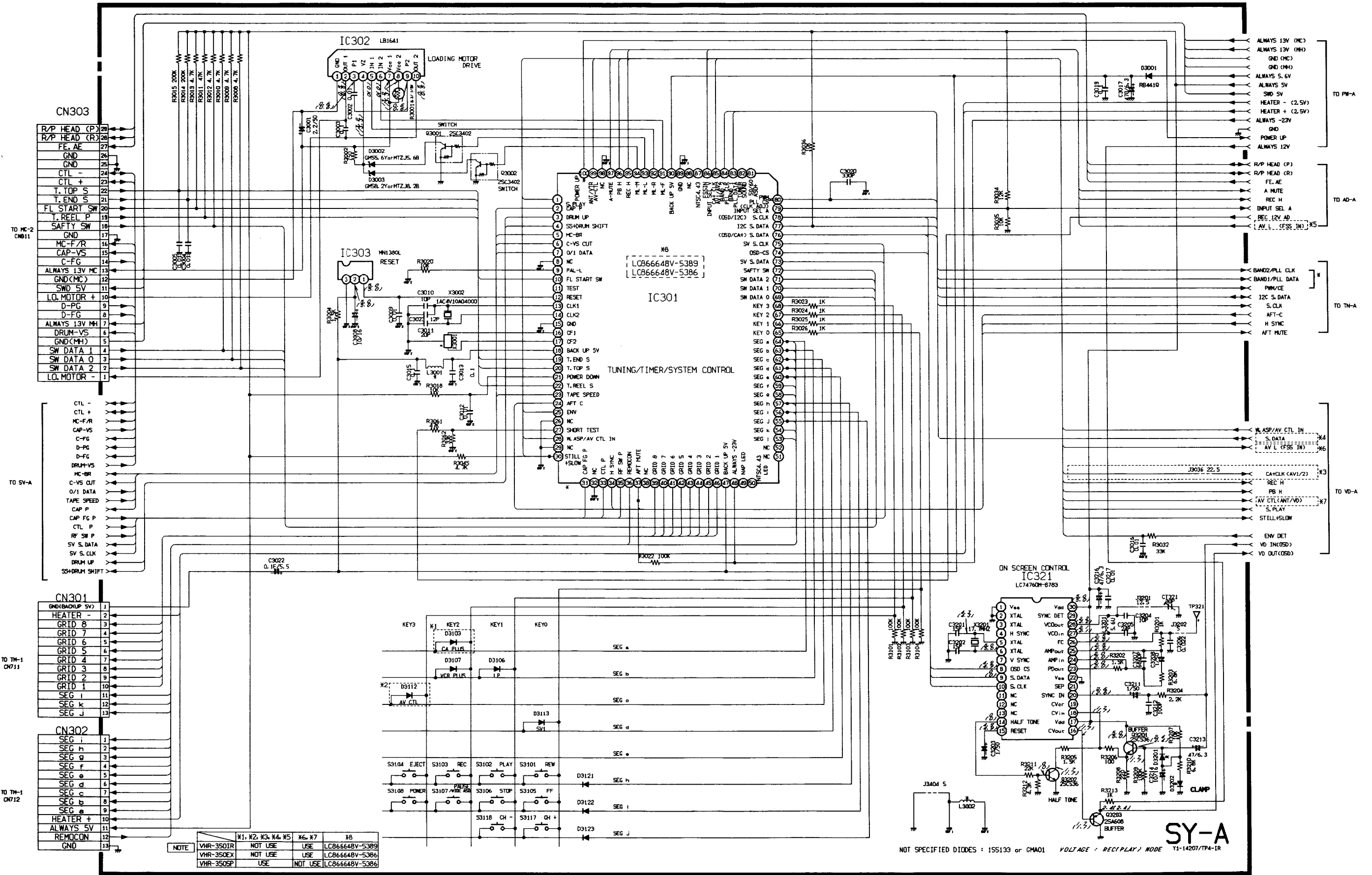
### NOTES:

——: Common parts for VHR-350IR, VHR-350EX & VHR-350SP

——: The parts for VHR-350IR & VHR-350EX

The part marked   is VHR-350SP only.

CP-1 BOARD (SY-A) SYSTEM CONTROL



NOTE

	X1, X2, X3, X4, X5	X6, X7	X8
VHR-3501R	NOT USE	USE	LC866648V-5389
VHR-350EX	NOT USE	USE	LC866648V-5386
VHR-350SP	USE	NOT USE	LC866648V-5386

NOT SPECIFIED DIODES : 1SS133 or GMA01 VOLTAGE : REC/PLAY / MODE Y1-14207/TP4-1R