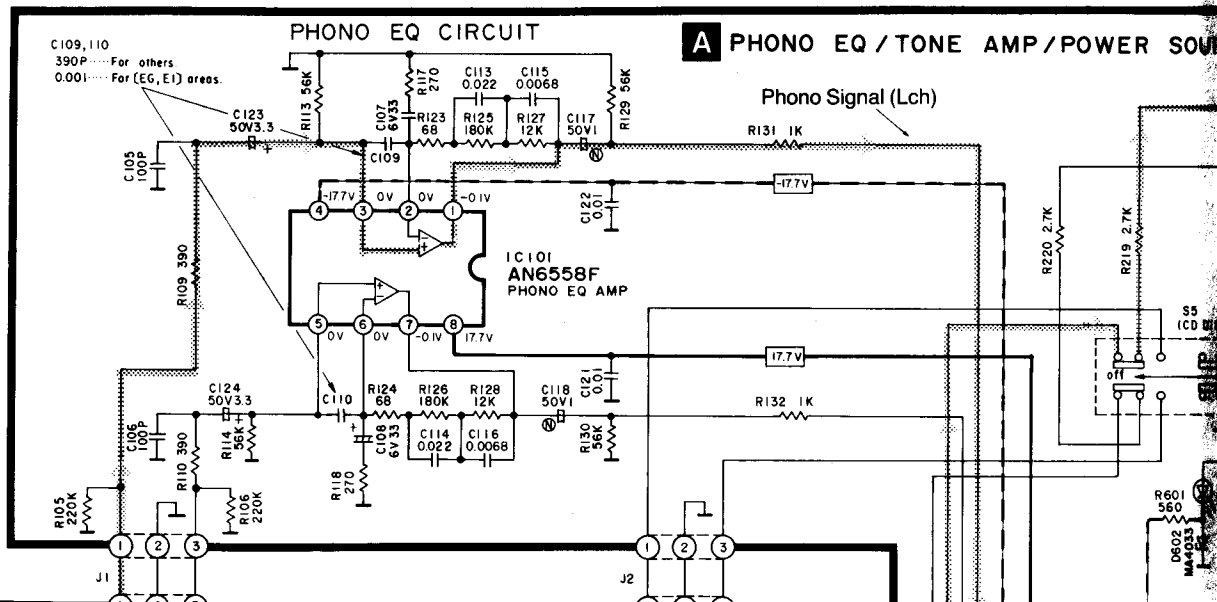
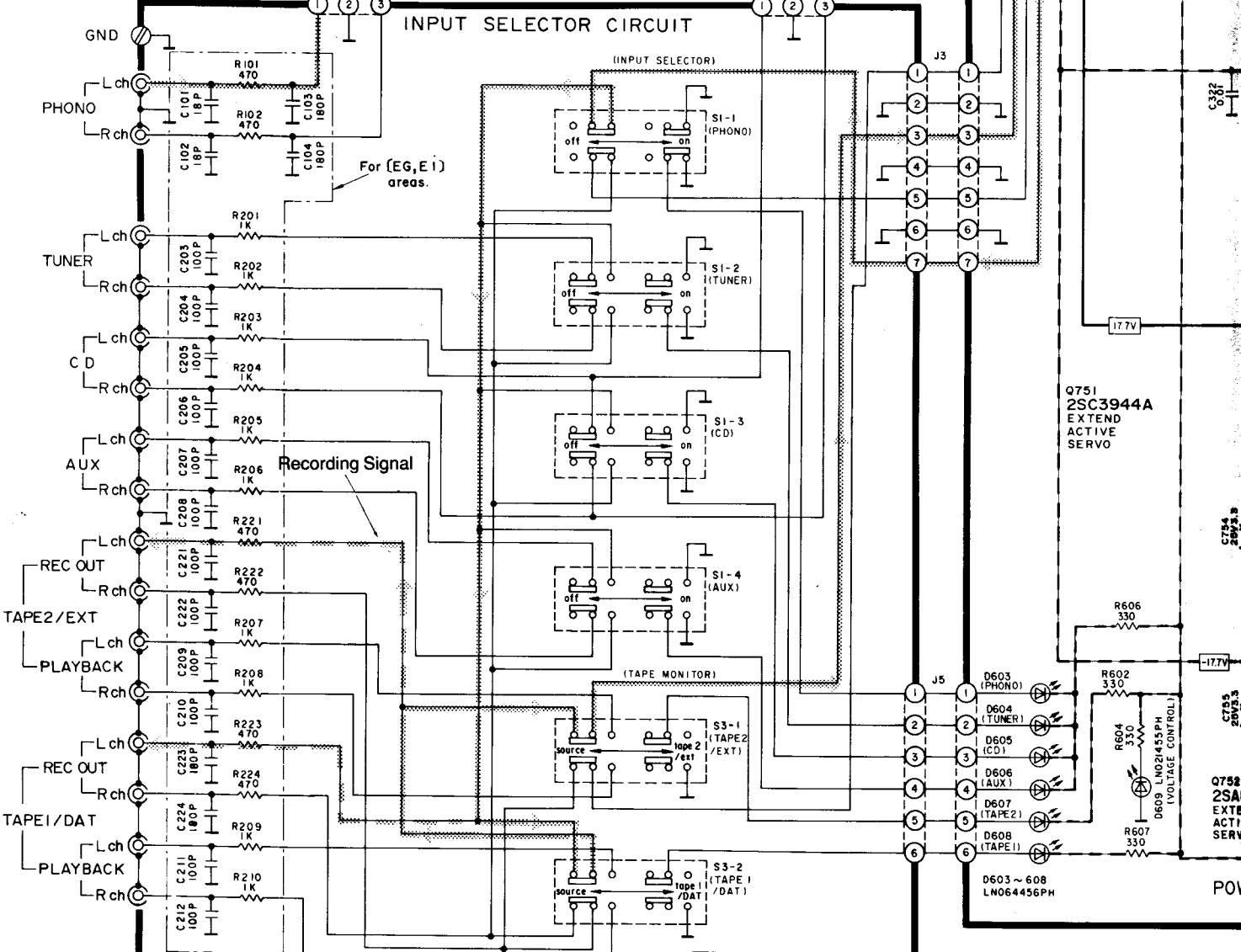


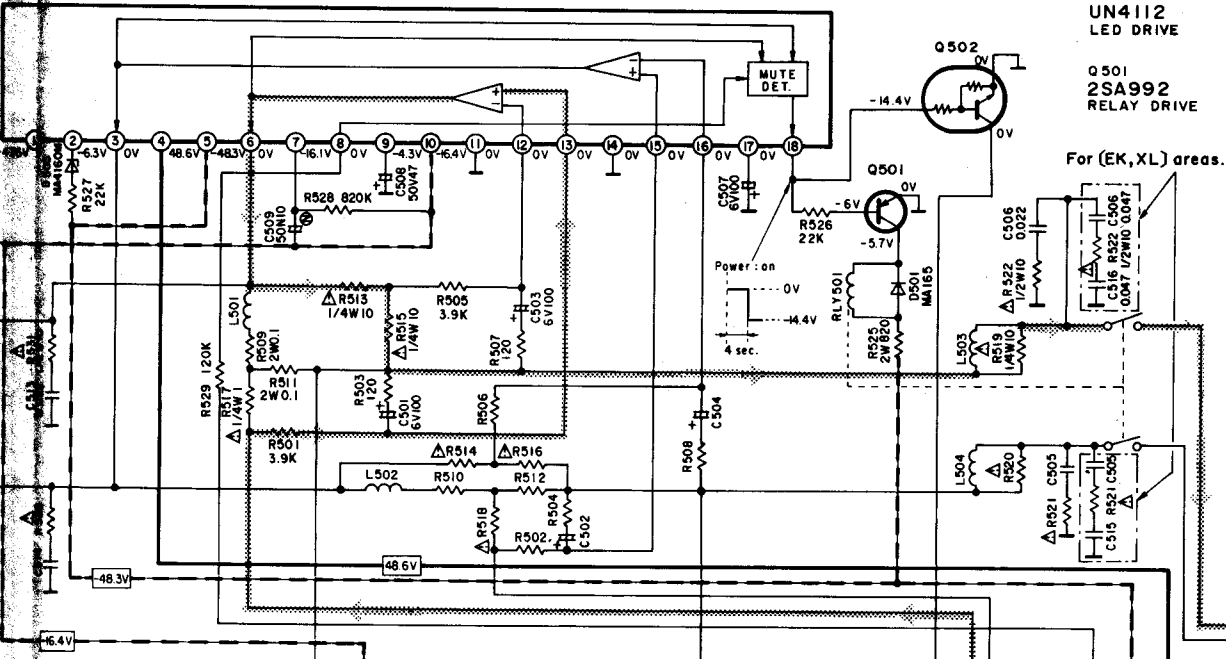
A PHONO EQ / TONE AMP / POWER SOURCE



B INPUT / OUTPUT TERMINAL / VOLTAGE CONTROL



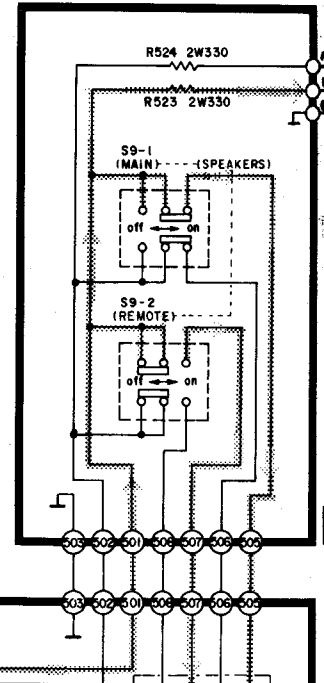
POWER AMP CIRCUIT



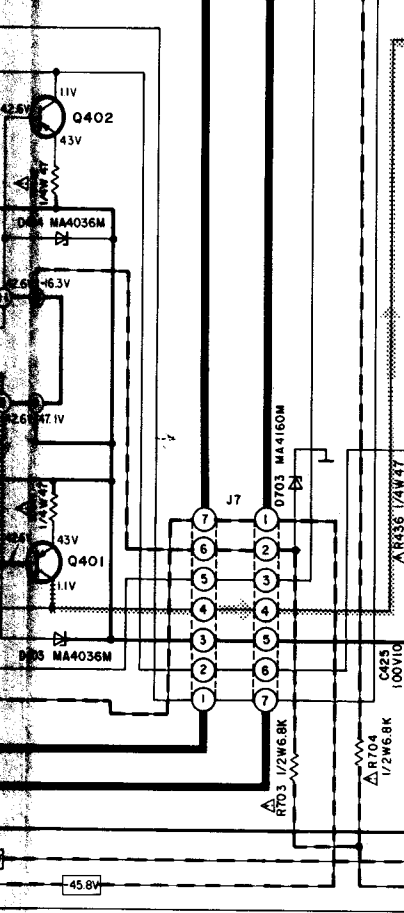
Q502
UN4112
LED DRIVE

Q501
2SA992
RELAY DRIVE

For (EK, XL) areas.



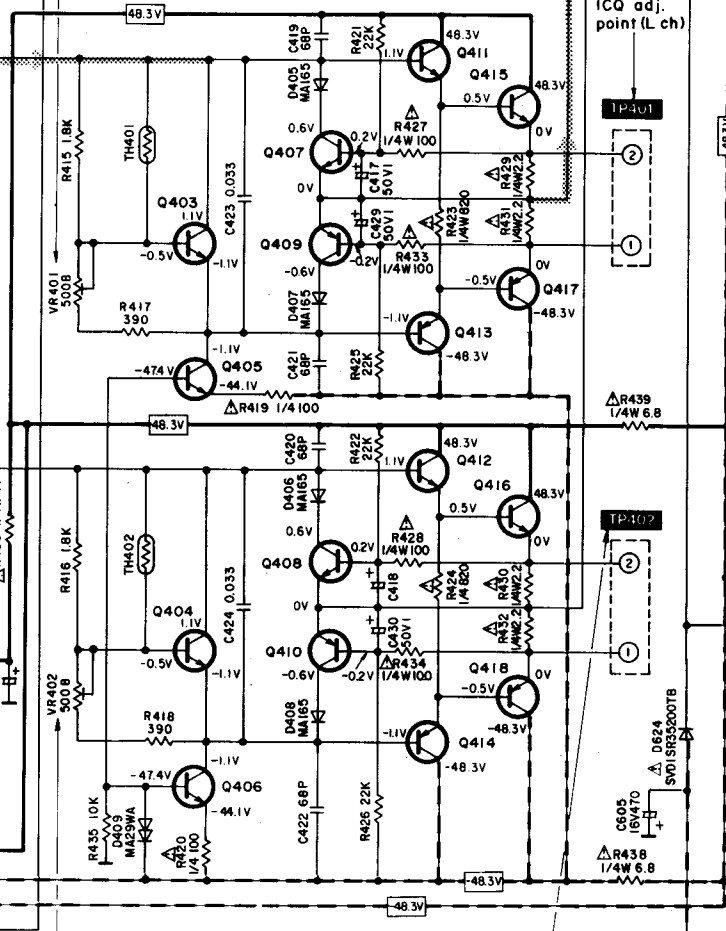
AMP CIRCUIT



Voltage control amp.
ICQ adj. (L ch)

VOLTAGE CONTROL AMP

Voltage control amp.
ICQ adj. point (L ch)



Q403,404
2SC1685
ICQ adj.

Q405,406
2SC2631
CURRENT STABILIZER

Q407,408
2SC3311A
LIMITER

409,410
2SA1309A
LIMITER

Q411,412
2SC2631
AA CLASS AMP

Q413,414
2SA1123
AA CLASS AMP

Q415,416
2SC3944A
AA CLASS AMP

Q417,418
2SA1535A
AA CLASS AMP

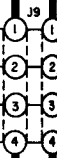
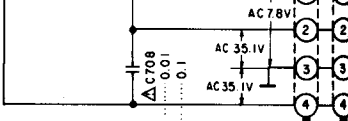
Phono Signal (Lch)

For (EG, EI) areas.

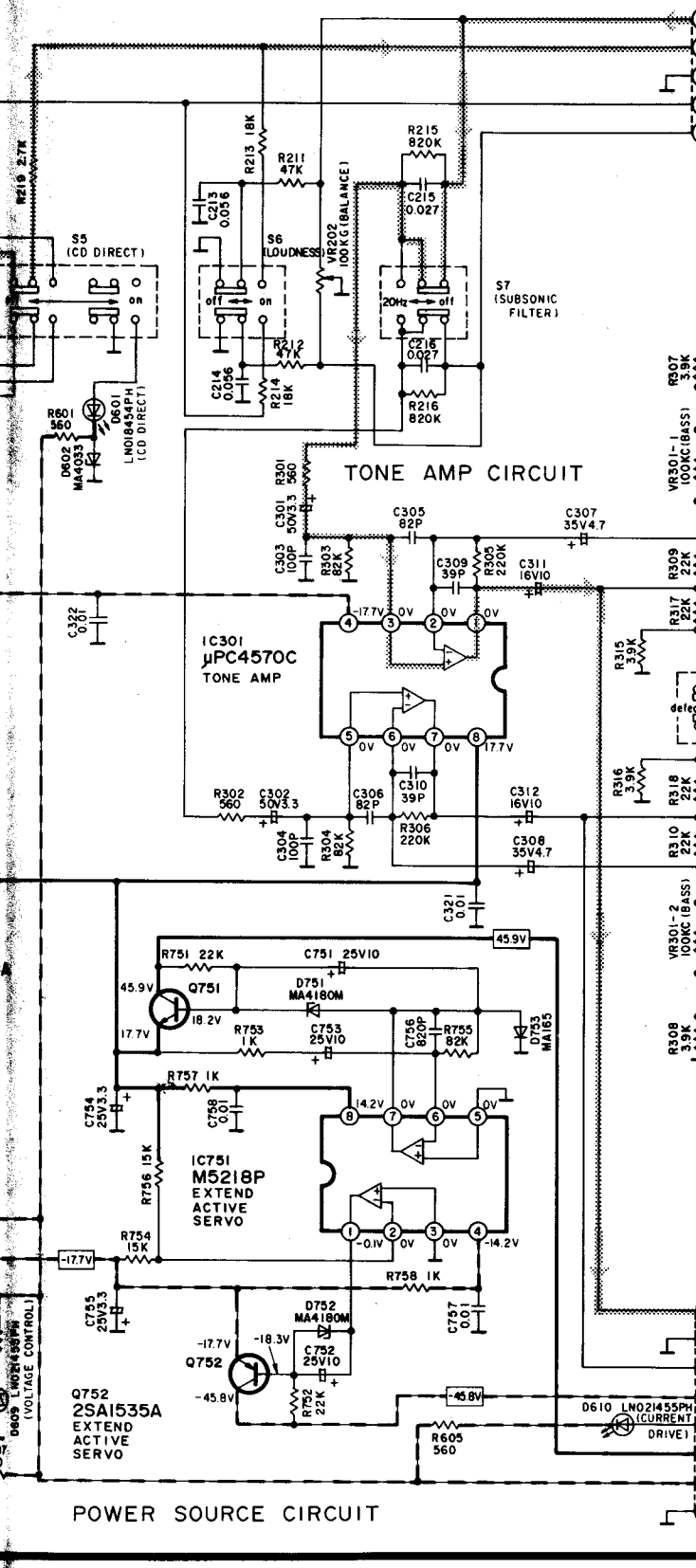
For others...
0.01
0.1
For (EG, EI) areas.

Voltage control amp.
ICQ adj. (R ch)

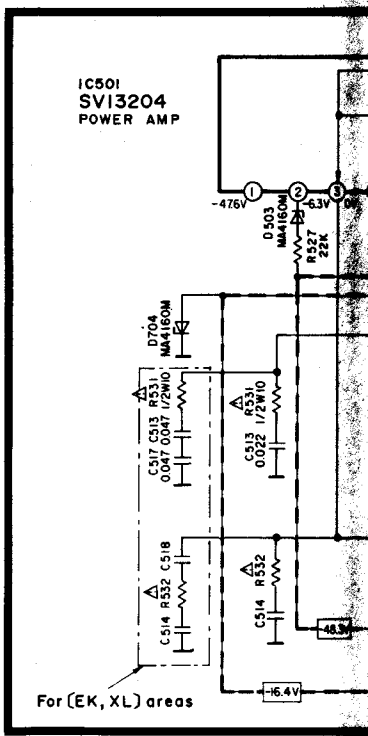
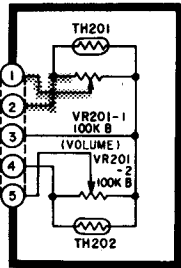
Voltage control amp.
ICQ adj. point (R ch)



POWER SOURCE CIRCUIT



C VOLUME CIRCUIT



D VOLTAGE CONTROL AMP CIRCUIT

