

RTV servis Horvat

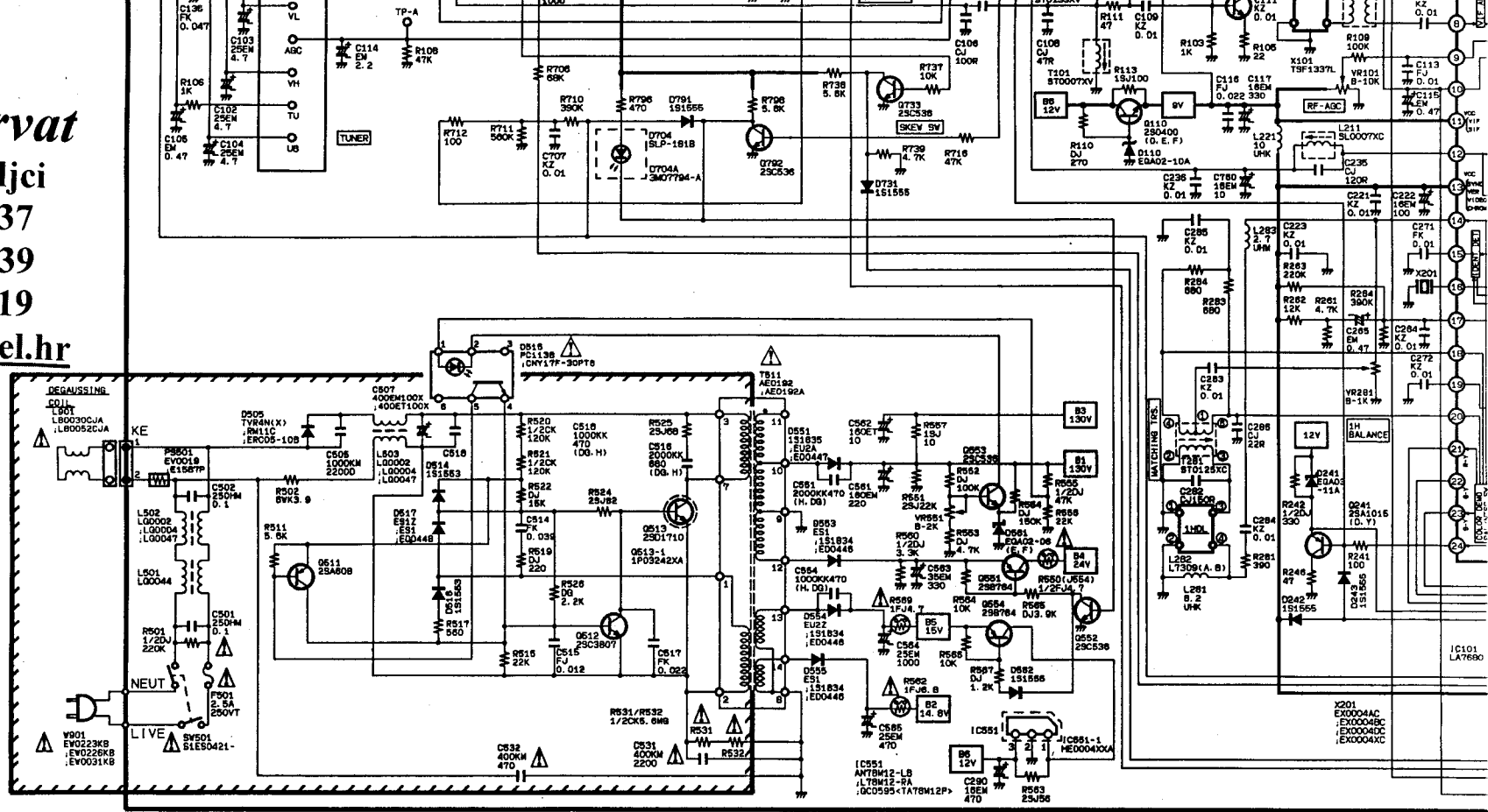
Kešinci, 31402 Semeljci

Tel : 031-856-637

Tel / fax : 031-856-139

Mob : 098-788-319

rtv-servis-horvat@os.tel.hr



SERVICE PRECAUTION:
THE AREA ENCLOSED BY THIS LINE () IS DIRECTLY CONNECTED WITH AC MAINS VOLTAGE. WHEN SERVICING THE AREA, CONNECT AN ISOLATING TRANSFORMER BETWEEN TV RECEIVER AND AC LINE TO ELIMINATE HAZARD OF ELECTRIC SHOCK.

Q511	
VOLT.	WAVEFORM
B 10V	
C -0.8V	
E 10.8V	

230

Q512	
VOLT.	WAVEFORM
B -2.7V	
C -1.5V	
E 0V	

Q513	
VOLT.	WAVEFORM
B -1.5V	
C 280V	
E 0V	

Q551	
VOLT.	WAVEFORM
B 23.5V	
C 0.1V	
E 24V	

Q552	
VOLT.	WAVEFORM
B 0.7V	
C 0.1V	
E 0V	

Q553	
VOLT.	WAVEFORM
B 7V	
C 40V	
E 6.5V	

Q110	
VOLT.	WAVEFORM
B 10V	
C 12V	
E 9V	

COLOUR TELEVISION

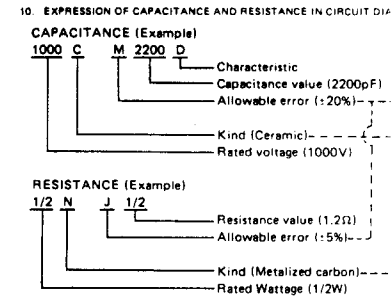
A3 CHASSIS SERIES

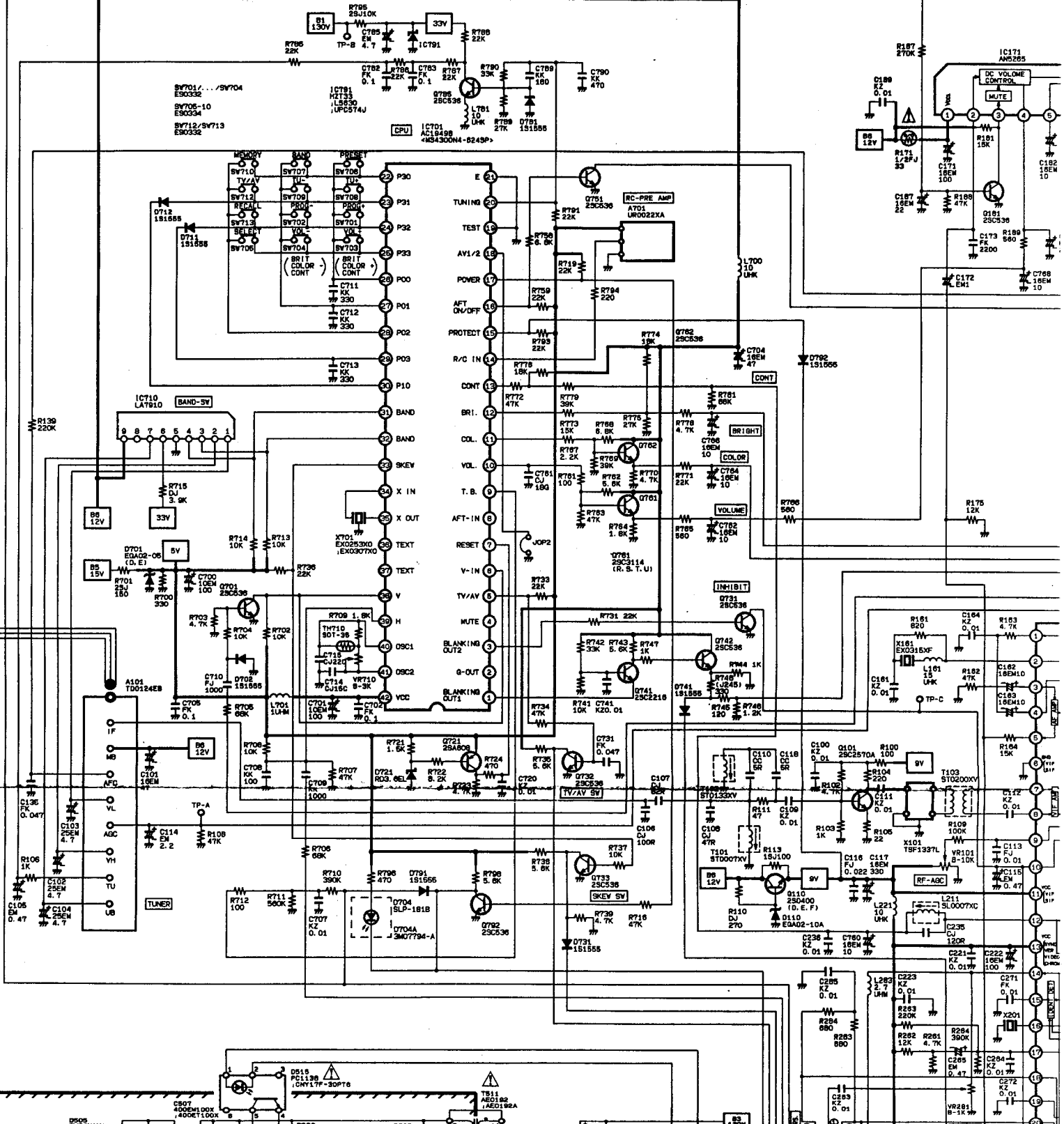
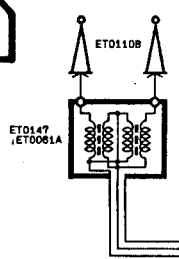
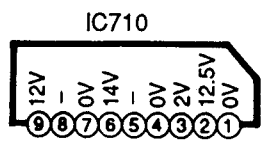
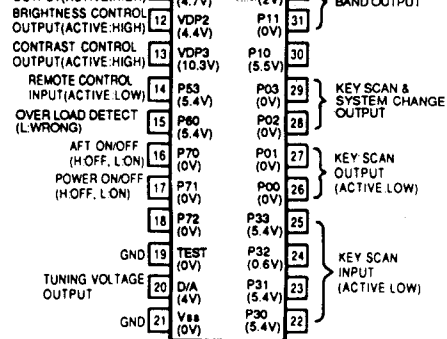
SERVICE REF. NO. **CEP3024D-00**

PRODUCT SAFETY NOTICE

PRODUCT SAFETY SHOULD BE CONSIDERED WHEN A COMPONENT REPLACEMENT IS MADE IN ANY AREA OF A RECEIVER COMPONENTS INDICATED BY A MARK IN THIS CIRCUIT DIAGRAM SHOW COMPONENTS WHOSE VALUE HAVE SPECIAL SIGNIFICANCE TO PRODUCT SAFETY. IT IS PARTICULARLY RECOMMENDED THAT ONLY PARTS SPECIFIED ON THE PARTS LIST OF SERVICE MANUAL BE USED FOR COMPONENTS REPLACEMENT POINTED OUT BY THE MARK.

- CIRCUIT DIAGRAM NOTES:**
- ALL RESISTANCE VALUES ARE IN OHMS, K = 1,000, M = 1,000,000.
 - ALL RESISTANCE RATED WATTAGES ARE 1/4W UNLESS OTHERWISE NOTED.
 - EXCEPTING ELECTROLYTIC CAPACITORS, ALL CAPACITANCE VALUES OF LESS THAN 1 ARE EXPRESSED IN UF, AND MORE THAN 1 ARE IN PF. ELECTROLYTIC CAPACITANCE VALUES ARE IN UF.
 - ALL CAPACITANCE RATED VOLTAGES ARE 50V UNLESS OTHERWISE NOTED.
 - ALL INDUCTANCE VALUES ARE IN UH.
 - VOLTAGE READINGS TAKEN WITH A "VTVM" ARE FROM POINT INDICATED TO CHASSIS GROUND. VOLTAGE READINGS TAKEN BY USING A COLOUR BAR SIGNAL ARE WITH ALL CONTROLS AT NORMAL AND AFC SWITCH IN "OFF" POSITION. SOME VOLTAGES MAY VARY WITH SIGNAL STRENGTH.
 - WAVEFORMS WERE TAKEN WITH COLOUR BAR SIGNAL AND CONTROLS ADJUSTED FOR NORMAL PICTURE. WAVEFORMS WERE TAKEN BY USING A WIDE BAND OSCILLOSCOPE AND A LOW CAPACITY PROBE.
 - VOLTAGE AND WAVEFORM VALUES OF TRANSISTORS IN THE AREA ENCLOSED BY LINE (---) ARE MEASURED TO BASE THE ELECTRIC POTENTIAL AT PIN 3 OF T311.
 - THIS CIRCUIT DIAGRAM COVERS A BASIC OR REPRESENTATIVE CHASSIS ONLY. THERE MAY BE SOME COMPONENTS OR PARTIAL CIRCUIT DIFFERENCES BETWEEN THE ACTUAL CHASSIS AND THE CIRCUIT DIAGRAM.





RTV servis Horvat

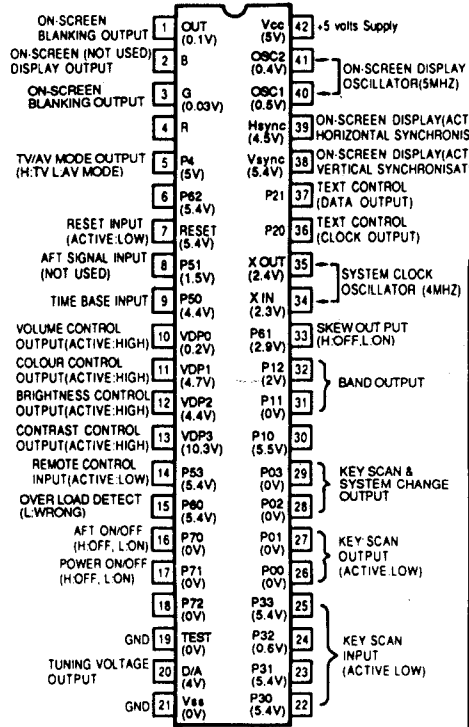
Kešinci, 31402 Semeljci

Tel : 031-856-637

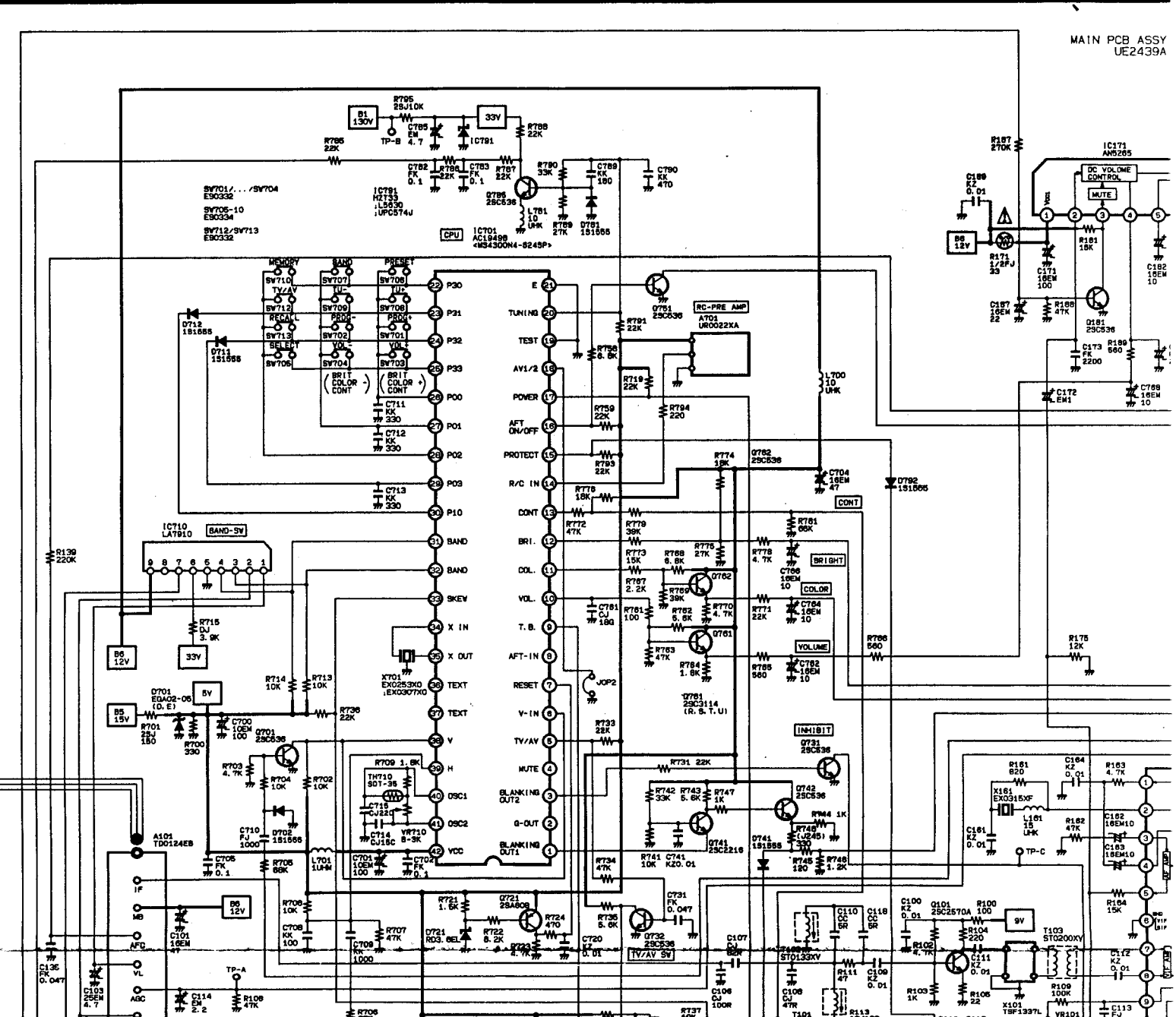
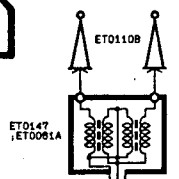
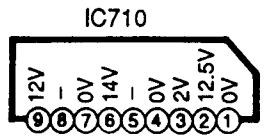
Tel / fax : 031-856-139

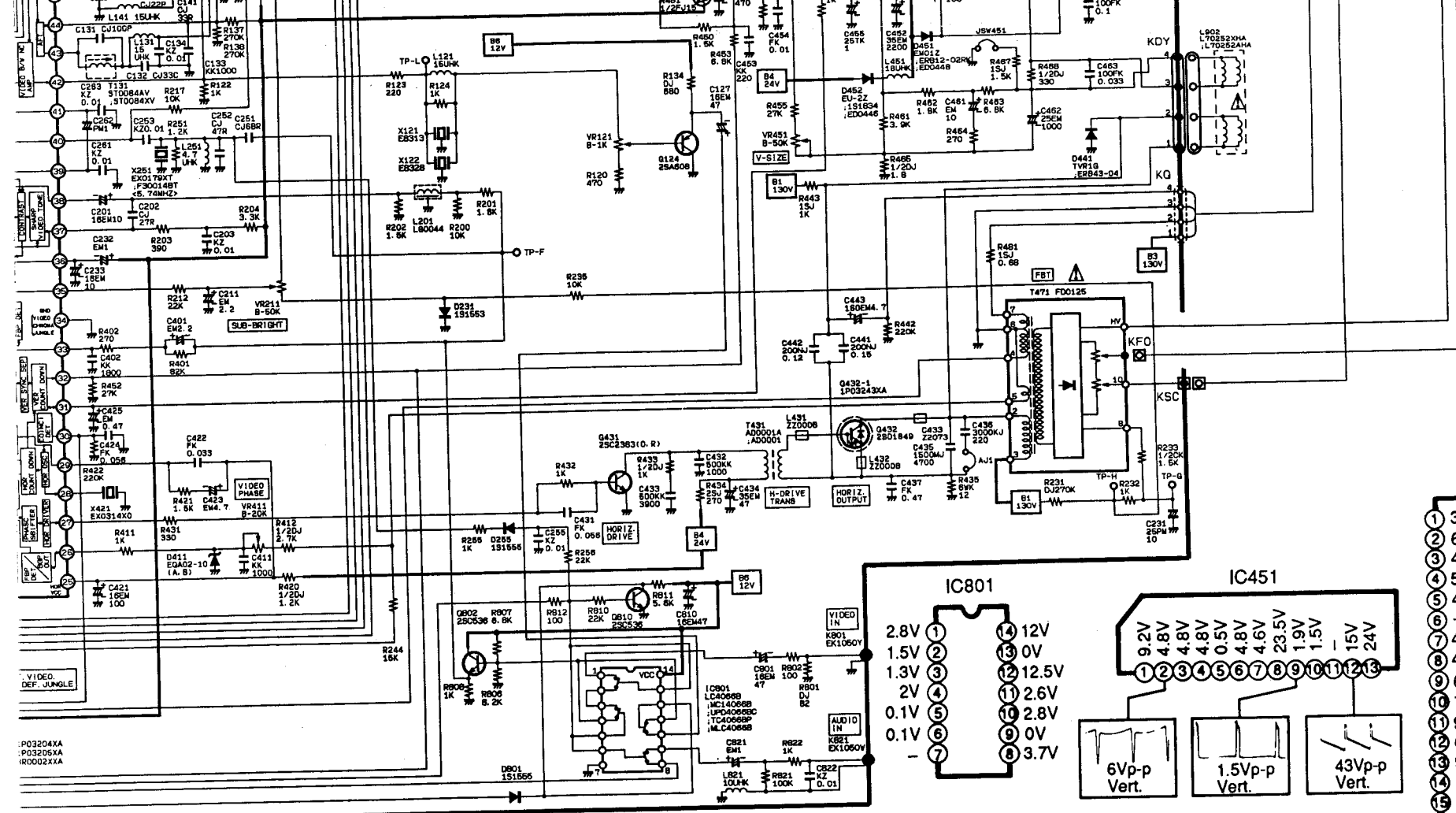
Mob : 098-788-319

rtv-servis-horvat@os.tel.hr



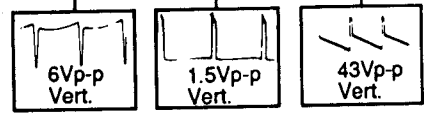
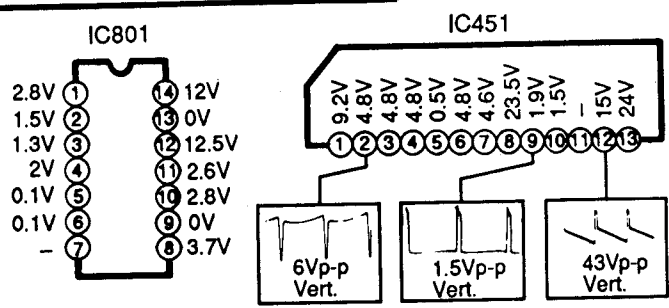
Q701	Q721	Q731	Q732	Q733	Q741	Q742	Q751	Q785	Q792
VOLT.	VOLT.	VOLT.	VOLT.	VOLT.	VOLT.	VOLT.	VOLT.	VOLT.	VOLT.
B 0V	B 4.6V	B 0.03V	B 0.7V	B 0.7V	B 0.15V	B 0.17V	B 0.03V	B 0.5V	B 0V
C 5.4V	C 5.2V	C 7V	C 0.06V	C 0.03V	C 0.1V	C 12V	C 7.2V	C 4.6V	C 11V
E 0V	E 5.3V	E 0V	E 0V	E 0V	E 0.9V	E 12V	E 0V	E 0V	E 0V





IC101

1	3.6V	5V	18
2	6V	5V	17
3	4.6V	4V	16
4	5.8V	5V	15
5	4V	5.4V	14
6	-	7.2V	13
7	4.8V	3.5V	12
8	4.8V	6.2V	11
9	6V	4.8V	10
10	7V	5.6V	9
11	9.3V	1.8V	8
12	6.7V	8.6V	7
13	9.2V	2.8V	6
14	5.7V	4.4V	5
15	7V	-	4
16	5.8V	7V	3
17	6.2V	4.8V	2
18	3.4V	0.4V	1
19	4.8V	7.4V	19
20	3.5V	5.8V	18
21	5.5V	5.2V	17
22	5.5V	0.8V	16
23	5.5V	0.6V	15
24	4.5V	7.7V	14



VOLT.	WAVEFORM
B	2V
C	0V
E	2.8V

VOLT.	WAVEFORM
B	4.8V
C	1.2V
E	5.3V

VOLT.	WAVEFORM
B	6.6V
C	12V
E	6V

VOLT.	WAVEFORM
B	0.06V
C	12.5V
E	0V

VOLT.	WAVEFORM
B	0.08V
C	19V
E	0V

VOLT.	WAVEFORM
B	2.3V
C	80V
E	2.4V

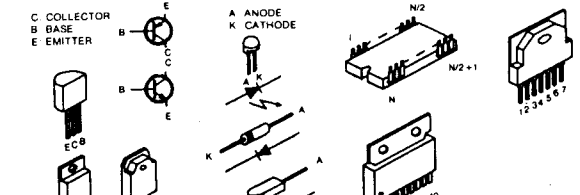
5%
10%
20%

E, U, D Electrolytic
C, B Ceramic
Mylar film
Polypropylene
Metalized paper

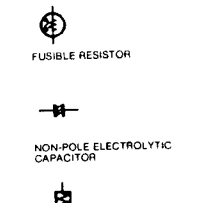
Carbon

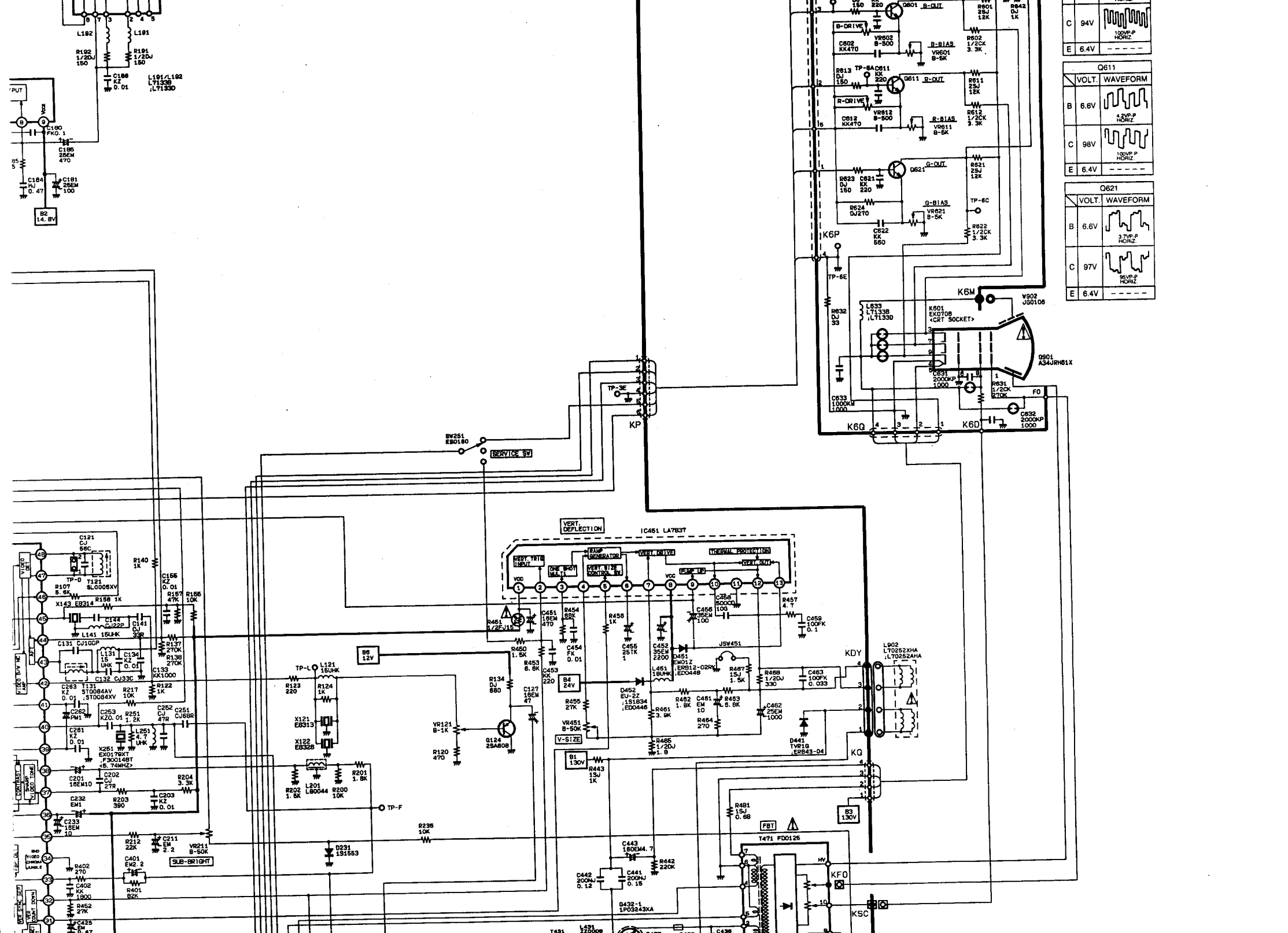
11. DIODE 1S1555 MAY BE REPLACED WITH IS2473, IS2078 OR DS442 UNLESS OTHERWISE NOTED.
TRANSISTOR 2SC536 (E, F, G) MAY BE REPLACED WITH 2SC1740S (Q, R, S), 2SC1740 (Q, R, S), 2SC946A (Q, R, P) OR 2SC1815 (Q, O, Y) UNLESS OTHERWISE NOTED.
TRANSISTOR 2SA808 (E, F) MAY BE REPLACED WITH 2SA933 (O, R), 2SA564 (Q, A, RA) OR 2SA1015 (Q, Y) UNLESS OTHERWISE NOTED.

TRANSISTOR, DIODE & INTEGRATED CIRCUIT TERMINAL GUIDE



PARTICULAR PARTS SYMBOL





C	94V	
E	6.4V	-----

Q611	
VOLT.	WAVEFORM
B	6.6V
C	98V
E	6.4V -----

Q621	
VOLT.	WAVEFORM
B	6.6V
C	97V
E	6.4V -----

T451 FD0125

C438

KF0

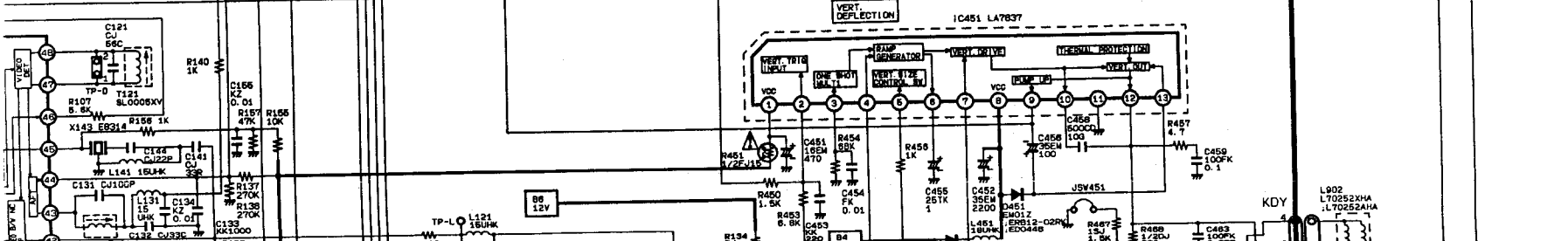
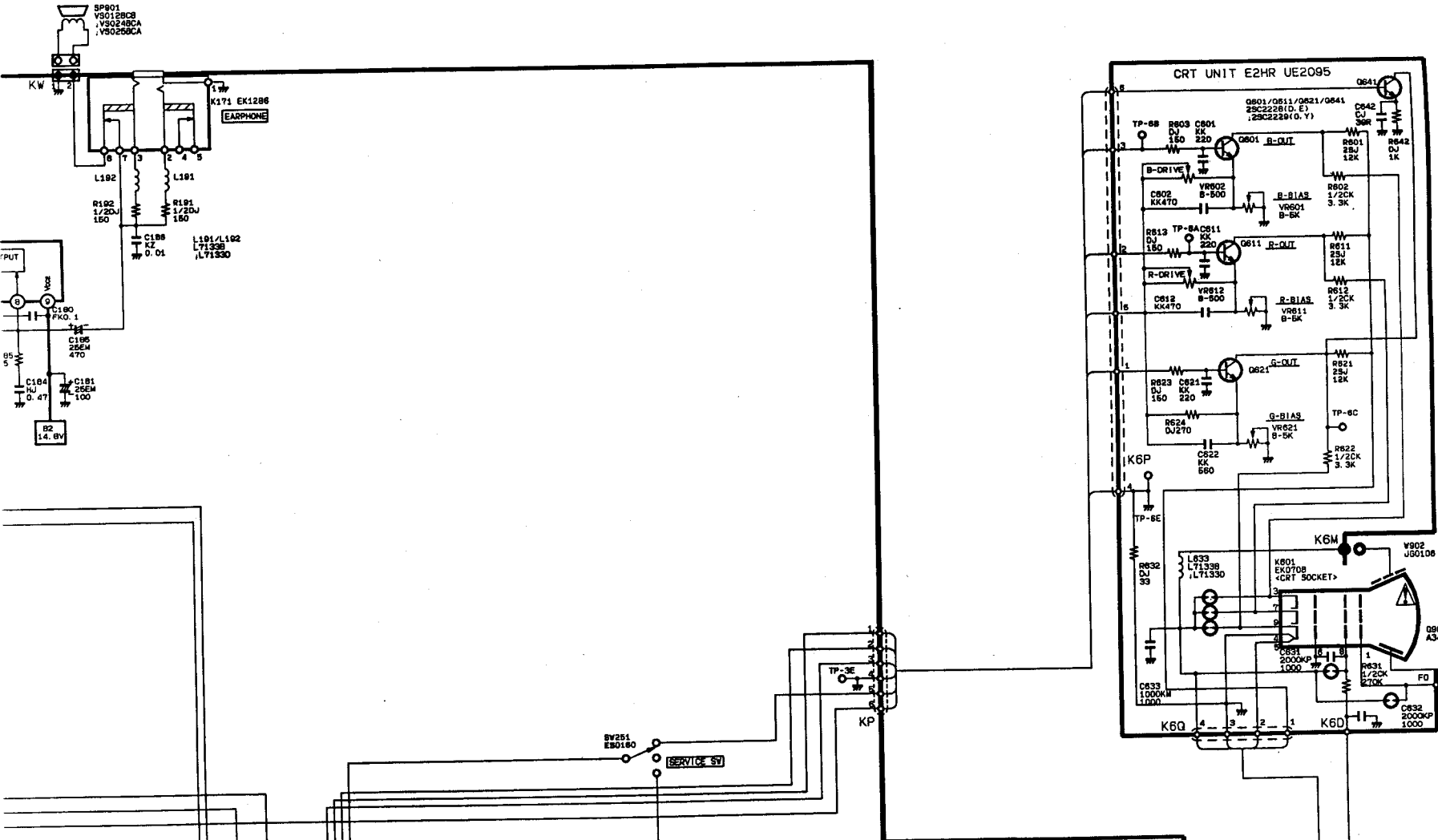
KSC

Q641	
VOLT.	WAVEFORM
B	0V
C	100V
E	0V

Q601	
VOLT.	WAVEFORM
B	6.6V
C	94V
E	6.4V

Q611	
VOLT.	WAVEFORM
B	6.6V
C	98V
E	6.4V

Q621	
VOLT.	WAVEFORM
B	6.6V
C	97V
E	6.4V



COMPONENT LOCATION

MAIN UNIT

