

Service
Service
Service

14PV120/07
14PV125/01/07/39/58
14PV225/01/07/39/58
14PV422/01/07/39/58
14PV425/07

Service Manual

Contents

Chapter	
Sec. 1: Adjustment Procedure	
Schematic Diagrams and CBA's	
Exploded Views	
Mechanical and Electrical Parts Lists	
Sec. 2: Standard Maintenance	
Mechanism Alignment Procedures	
Disassembly / Assembly of Mechanism	
Deck Exploded Views	

Survey of versions:

/01	PAL-BG, EURO
/07	PAL I, UK/IRELAND
/39	PAL/SECAM-BG+PAL/SECAM-L/L', FRANCE
/58	PAL-BG/DK+SECAM-BG/DK, EAST-EURO

For technical data reference is made to the Service Manual of 14PV374/01/07/39/58 & 14PV375/01/07/39/58 3103 785 22220. The present Manual states only the differences.

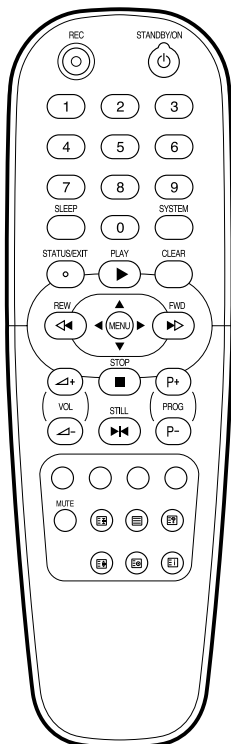
Safety regulations require that the set be restored to its original condition and that parts which are identical with those specified be used.



OPERATING CONTROLS AND FUNCTIONS

[14PV120/07, 14PV125/ (01, 07, 39, 58), 14PV225/ (01, 07, 39, 58),
14PV422/ (01, 07, 39, 58), 14PV425/07]

The remote control



CLEAR To delete last entry/Clear programmed recording (TIMER).

REC To record the TV channel selected at this moment or press repeatedly to start a One-Touch Recording.

STILL To stop the tape and show a still picture.

PROG P+ **PROG P-** To select the programme number. During normal or slow motion playback, press to adjust the tracking or vertical jitter.

MUTE To eliminate the sound. Press again to restore the volume.

VOL **VOL** To adjust the volume.

SYSTEM Doesn't work on these models.

SLEEP To select the switch-off time in 30 minutes intervals.

STANDBY/ON To switch TVCR on or off, interrupt menu function.

MENU To call up main menu of TVCR.

STATUS/EXIT To access or remove the TVCR's on-screen status display. To exit on-screen menus.

0..9 Press to select channels.

FWD When tape playback is stopped, press to fast forward the tape at high speed. During playback, press to fast forward the tape while the picture stay on the screen. To store or confirm entry in the menu. Press to adjust the controls of TVCR menu.

REW When tape playback is stopped, press to rewind the tape at high speed. During playback, press to rewind the tape while the picture stay on the screen. To return the cursor in the menu. Press to adjust the controls of TVCR menu.

PLAY To play a tape, select an item in the menu of TVCR.

STOP To stop the tape, select an item in the menu of TVCR.

Red button / Green button / Yellow button/ Blue button / Doesn't work on these models.

<14PV225>

: To switch TELETEXT on or off, or transparent mode.

: enlarge font

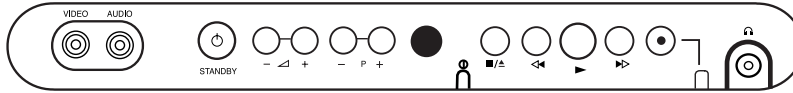
: select TELETEXT sub-page

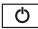









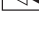
: recall hidden information

: stop page changes

: go back to start page.

Front of the device



-  **Standby/on:** To switch TVCR on or off, interrupt menu function.
-  **Volume:** In connection with the button ,  to adjust the volume.
-  **Programme number minus:** previous programme number
-  **Programme number plus:** next programme number
-  **Record:** To record the programme currently selected.
-  **Playback:** To play a recorded cassette.
-  **Pause/Stop, eject cassette:** To stop the tape; If this key is depressed while in STOP, the cassette is then ejected from the machine.
-  When tape playback is stopped, press to fast forward the tape at high speed.
-  When tape playback is stopped, press to rewind the tape at high speed.

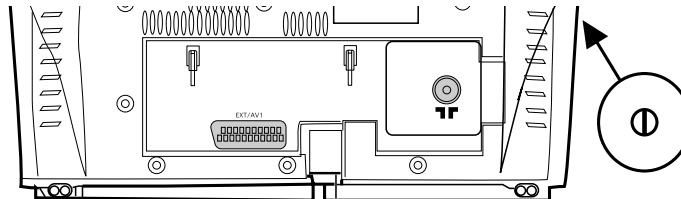
 **Sockets on the front:**

White socket / AUDIO input socket: To connect a camcorder or video games (audio).

Yellow socket / VIDEO input socket: To connect a camcorder or video games (video).

Small socket / socket for headphones: To connect headphones.

Back of the set



 **Aerial input socket:** To connect the aerial cable

 **Scart socket:** To connect a satellite receiver, decoder, video recorder, etc

 **Power switch:** To switch the TV-Video Combi off.

Caution: If you switch off using the power switch, TIMER-recordings are impossible!

The control lights at the front of machine

STANDBY ● **Standby light:** lights up when the TV-Video Combi has been switched on by means of the main switch.

RECORD ● **Recording light:** lights up during recording.

FAST blink: RECORDING PAUSE; TIMER RECORDING NOT STAND-BY.

SLOW blink; TIMER RECORDING is stored in a timer block.

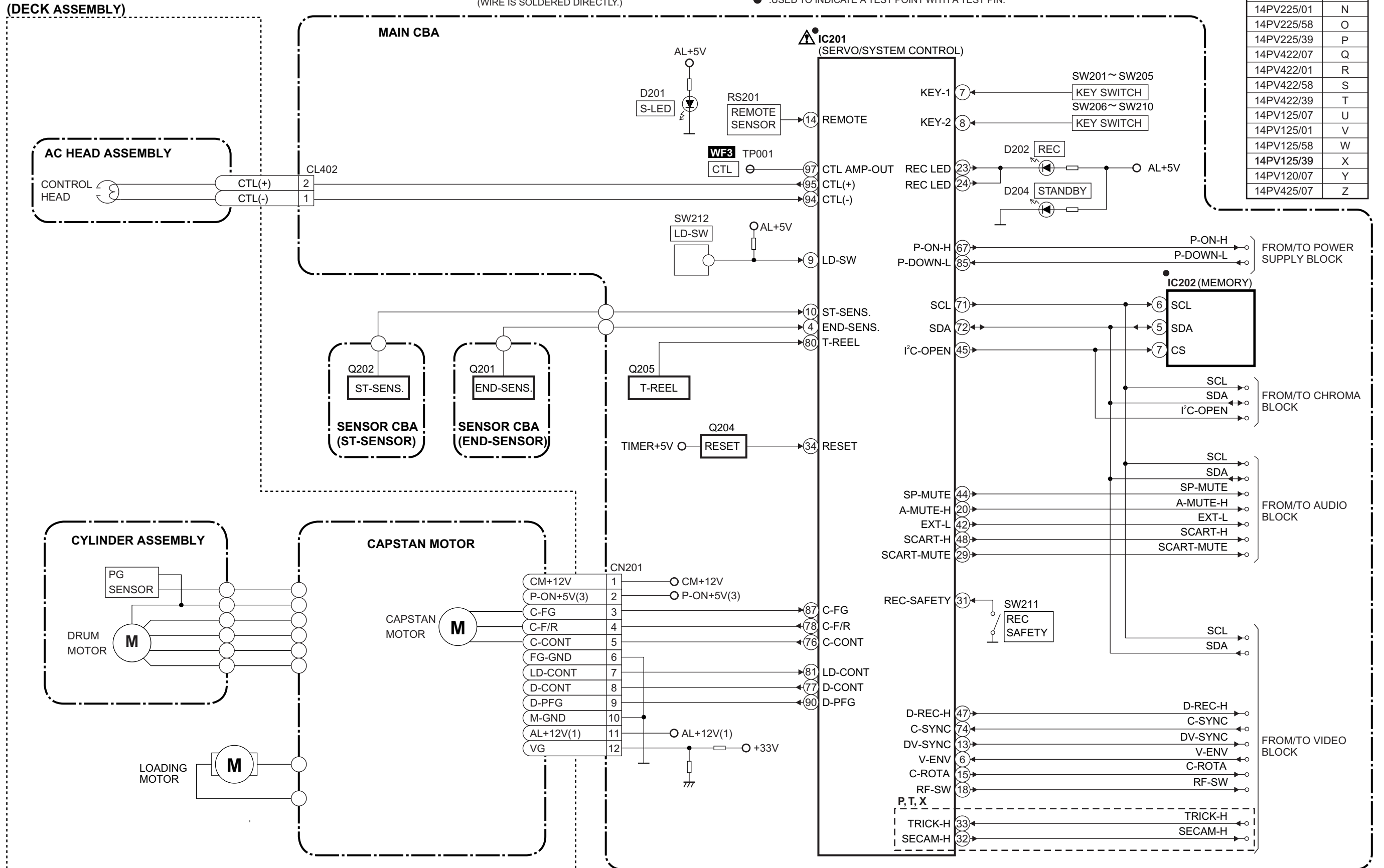
[14PV120/07, 14PV125/ (01, 07, 39, 58), 14PV225/ (01, 07, 39, 58), **BLOCK DIAGRAMS**
 14PV422/ (01, 07, 39, 58), 14PV425/07]
Servo/System Control Block Diagram

NOTE FOR WIRE CONNECTORS:
 1. PREFIX SYMBOL "CN" MEANS CONNECTOR.
 (CAN DISCONNECT AND RECONNECT.)
 2. PREFIX SYMBOL "CL" MEANS WIRE-SOLDER
 HOLES OF THE PCB.
 (WIRE IS SOLDERED DIRECTLY.)

TEST POINT INFORMATION
 ○ :INDICATES A TEST POINT WITH A JUMPER WIRE ACROSS A HOLE IN THE PCB.
 □ :USED TO INDICATE A TEST POINT WITH A COMPONENT LEAD ON FOIL SIDE.
 ⊙ :USED TO INDICATE A TEST POINT WITH NO TEST PIN.
 ● :USED TO INDICATE A TEST POINT WITH A TEST PIN.

Comparison Chart of Models & Marks

Model	Mark
14PV225/07	M
14PV225/01	N
14PV225/58	O
14PV225/39	P
14PV422/07	Q
14PV422/01	R
14PV422/58	S
14PV422/39	T
14PV125/07	U
14PV125/01	V
14PV125/58	W
14PV125/39	X
14PV120/07	Y
14PV425/07	Z



Video Block Diagram

NOTE FOR WIRE CONNECTORS:

1. PREFIX SYMBOL "CN" MEANS CONNECTOR. (CAN DISCONNECT AND RECONNECT.)
2. PREFIX SYMBOL "CL" MEANS WIRE-SOLDER HOLES OF THE PCB. (WIRE IS SOLDERED DIRECTLY.)

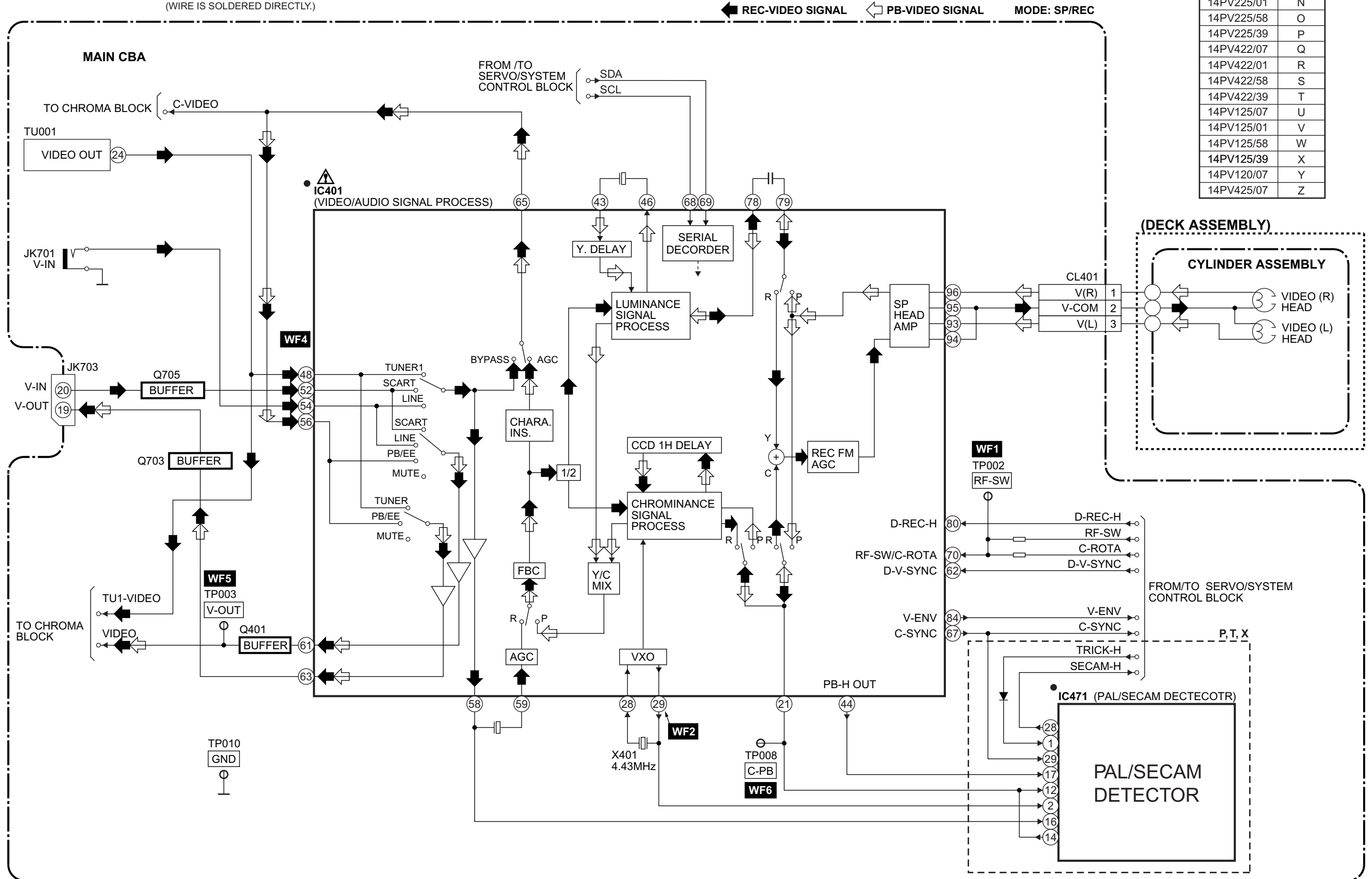
"●" = SMD

TEST POINT INFORMATION

- ⊙ : INDICATES A TEST POINT WITH A JUMPER WIRE ACROSS A HOLE IN THE PCB.
- ◻ : USED TO INDICATE A TEST POINT WITH A COMPONENT LEAD ON FOIL SIDE.
- ⊗ : USED TO INDICATE A TEST POINT WITH NO TEST PIN.
- : USED TO INDICATE A TEST POINT WITH A TEST PIN.

Comparison Chart of Models & Marks

Model	Mark
14PV225/07	M
14PV225/01	N
14PV225/58	O
14PV225/39	P
14PV422/07	Q
14PV422/01	R
14PV422/58	S
14PV422/39	T
14PV125/07	U
14PV125/01	V
14PV125/58	W
14PV125/39	X
14PV120/07	Y
14PV425/07	Z



Audio Block Diagram

NOTE FOR WIRE CONNECTORS:

1. PREFIX SYMBOL "CN" MEANS CONNECTOR. (CAN DISCONNECT AND RECONNECT.)
2. PREFIX SYMBOL "CL" MEANS WIRE-SOLDER HOLES OF THE PCB. (WIRE IS SOLDERED DIRECTLY.)

"•" = SMD

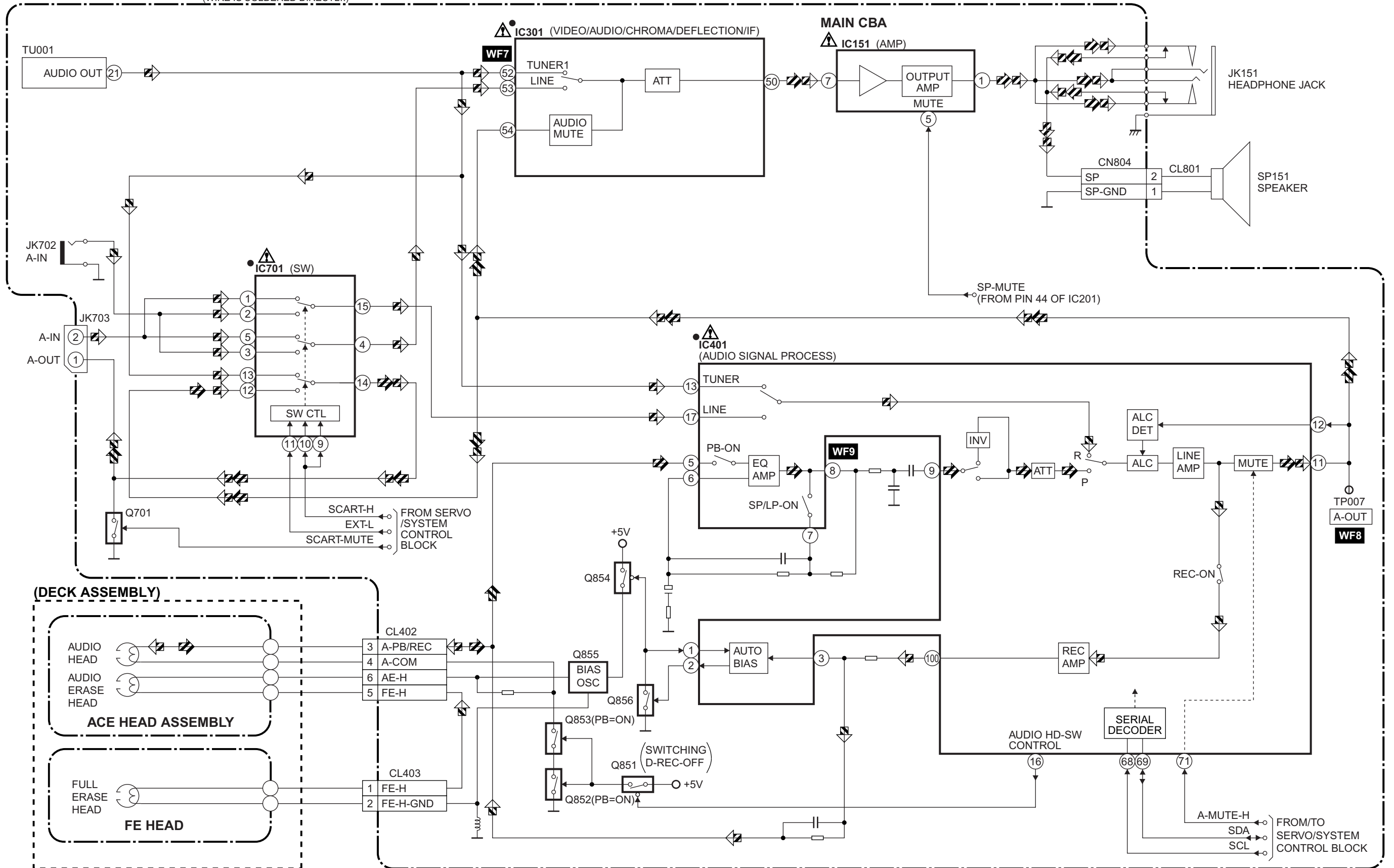
TEST POINT INFORMATION

- ⊕ : INDICATES A TEST POINT WITH A JUMPER WIRE ACROSS A HOLE IN THE PCB.
- ⊔ : USED TO INDICATE A TEST POINT WITH A COMPONENT LEAD ON FOIL SIDE.
- ⊖ : USED TO INDICATE A TEST POINT WITH NO TEST PIN.
- : USED TO INDICATE A TEST POINT WITH A TEST PIN.

PB-AUDIO SIGNAL

REC-AUDIO SIGNAL

Mode : SP/REC



Chroma Block Diagram

NOTE FOR WIRE CONNECTORS:

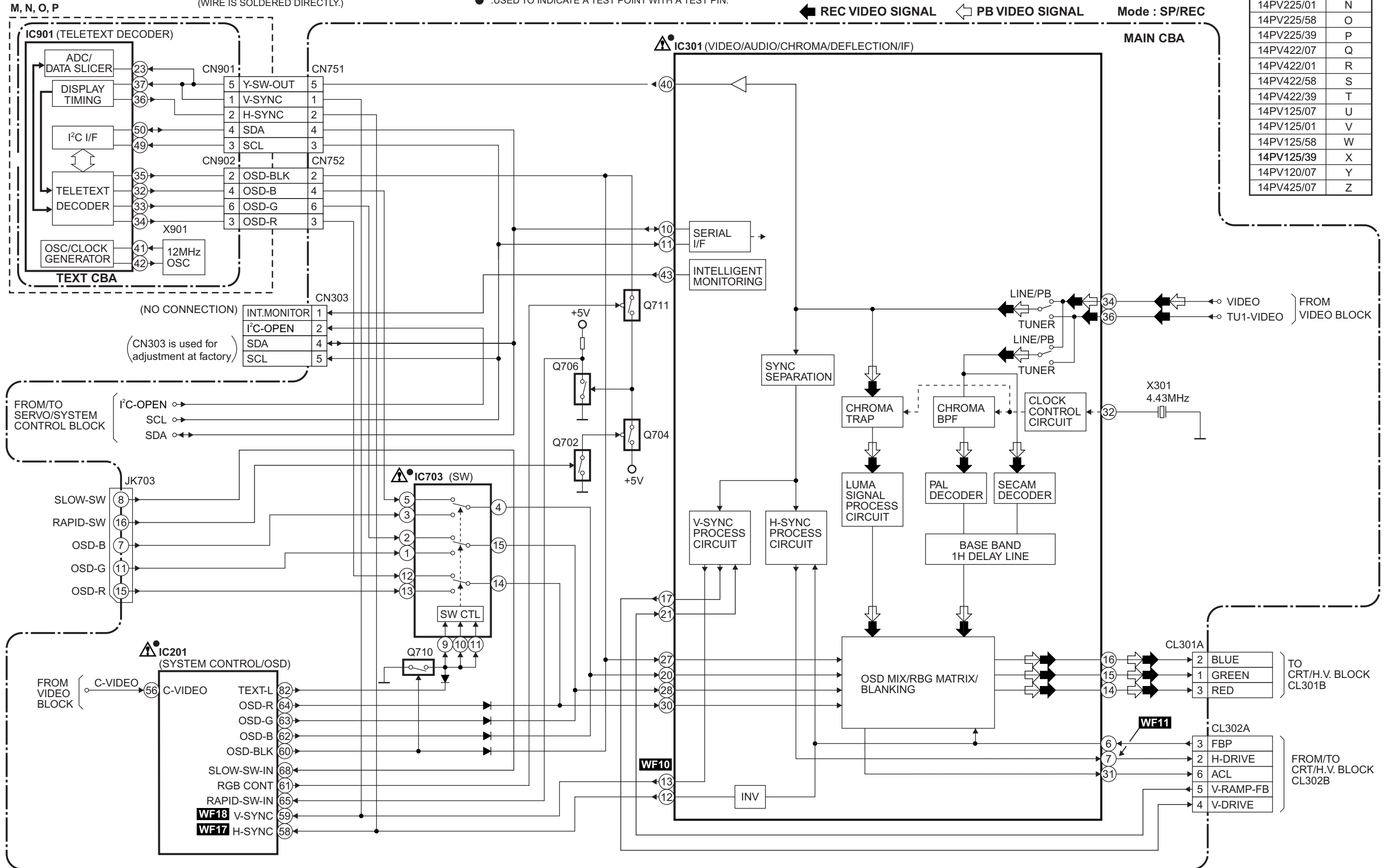
1. PREFIX SYMBOL "CN" MEANS CONNECTOR.
(CAN DISCONNECT AND RECONNECT.)
2. PREFIX SYMBOL "CL" MEANS WIRE-SOLDER
HOLES OF THE PCB.
(WIRE IS SOLDERED DIRECTLY.)

TEST POINT INFORMATION

- ⊙ : INDICATES A TEST POINT WITH A JUMPER WIRE ACROSS A HOLE IN THE PCB.
- ⊞ : USED TO INDICATE A TEST POINT WITH A COMPONENT LEAD ON FOIL SIDE.
- ⊗ : USED TO INDICATE A TEST POINT WITH NO TEST PIN.
- : USED TO INDICATE A TEST POINT WITH A TEST PIN.

Comparison Chart of Models & Marks

Model	Mark
14PV225/07	M
14PV225/01	N
14PV225/58	O
14PV225/39	P
14PV422/07	Q
14PV422/01	R
14PV422/58	S
14PV422/39	T
14PV125/07	U
14PV125/01	V
14PV125/58	W
14PV125/39	X
14PV120/07	Y
14PV425/07	Z

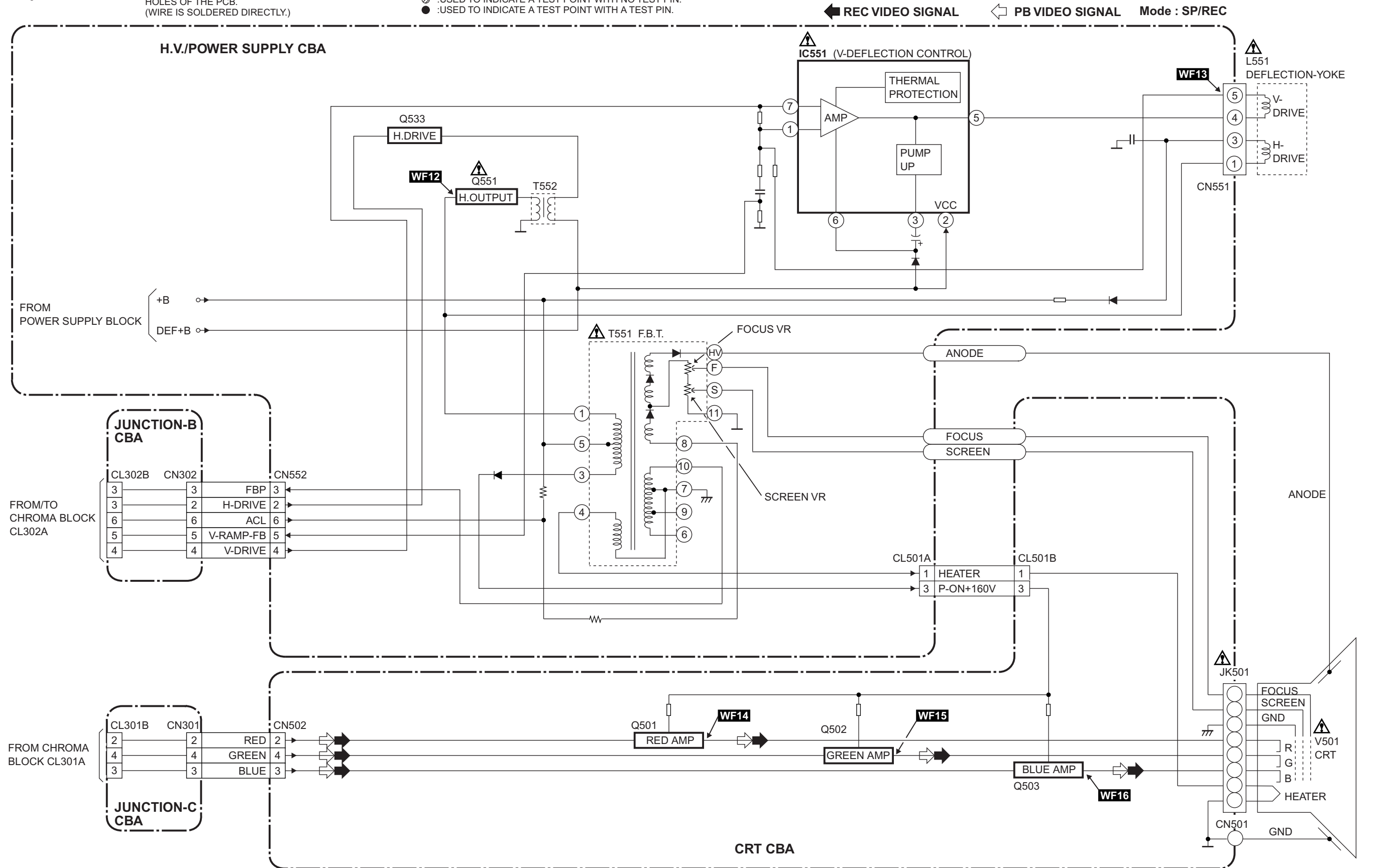


CRT/H.V. Block Diagram

NOTE FOR WIRE CONNECTORS:
 1. PREFIX SYMBOL "CN" MEANS CONNECTOR.
 (CAN DISCONNECT AND RECONNECT.)
 2. PREFIX SYMBOL "CL" MEANS WIRE-SOLDER
 HOLES OF THE PCB.
 (WIRE IS SOLDERED DIRECTLY.)

"●" = SMD

TEST POINT INFORMATION
 ○ :INDICATES A TEST POINT WITH A JUMPER WIRE ACROSS A HOLE IN THE PCB.
 □ :USED TO INDICATE A TEST POINT WITH A COMPONENT LEAD ON FOIL SIDE.
 ⊗ :USED TO INDICATE A TEST POINT WITH NO TEST PIN.
 ● :USED TO INDICATE A TEST POINT WITH A TEST PIN.



Power Supply Block Diagram

CAUTION !

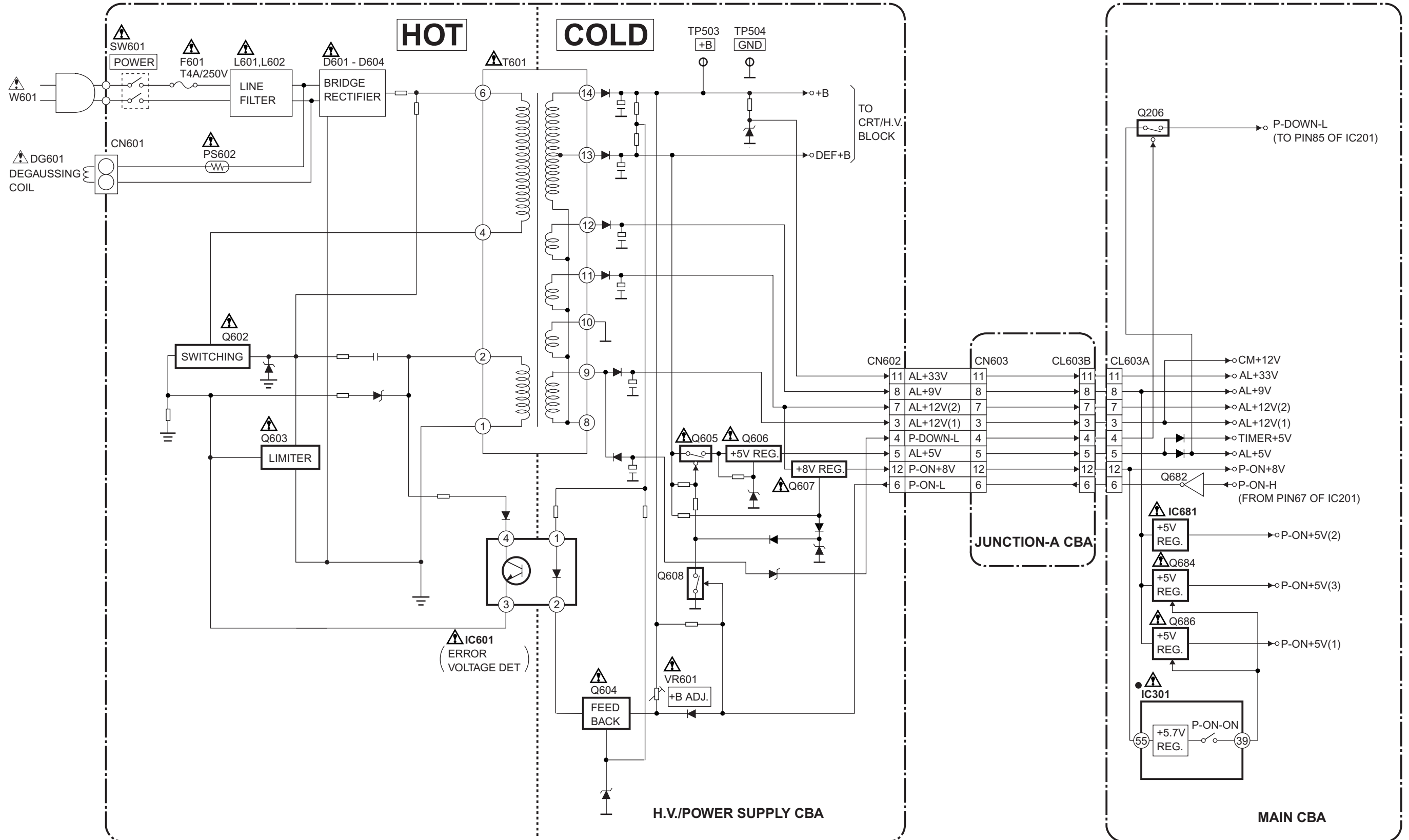
Fixed voltage power supply circuit is used in this unit.
 If Main Fuse (F601) is blown, check to see that all components in the power supply circuit are not defective before you connect the AC plug to the AC power supply.
 Otherwise it may cause some components in the power supply circuit to fail.

CAUTION

FOR CONTINUED PROTECTION AGAINST FIRE HAZARD,
 REPLACE ONLY WITH THE SAME TYPE T4A/250V FUSE.

NOTE :

The voltage for parts in hot circuit is measured using hot GND as a common terminal.



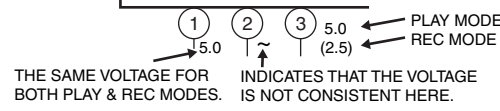
[14PV120/07,14PV125/(01,07,39,57),14PV225/(01,07,39,57),14PV422/(01,07,39,57),14PV425/07]

Main 1/5 Schematic Diagram Parts Location Guide

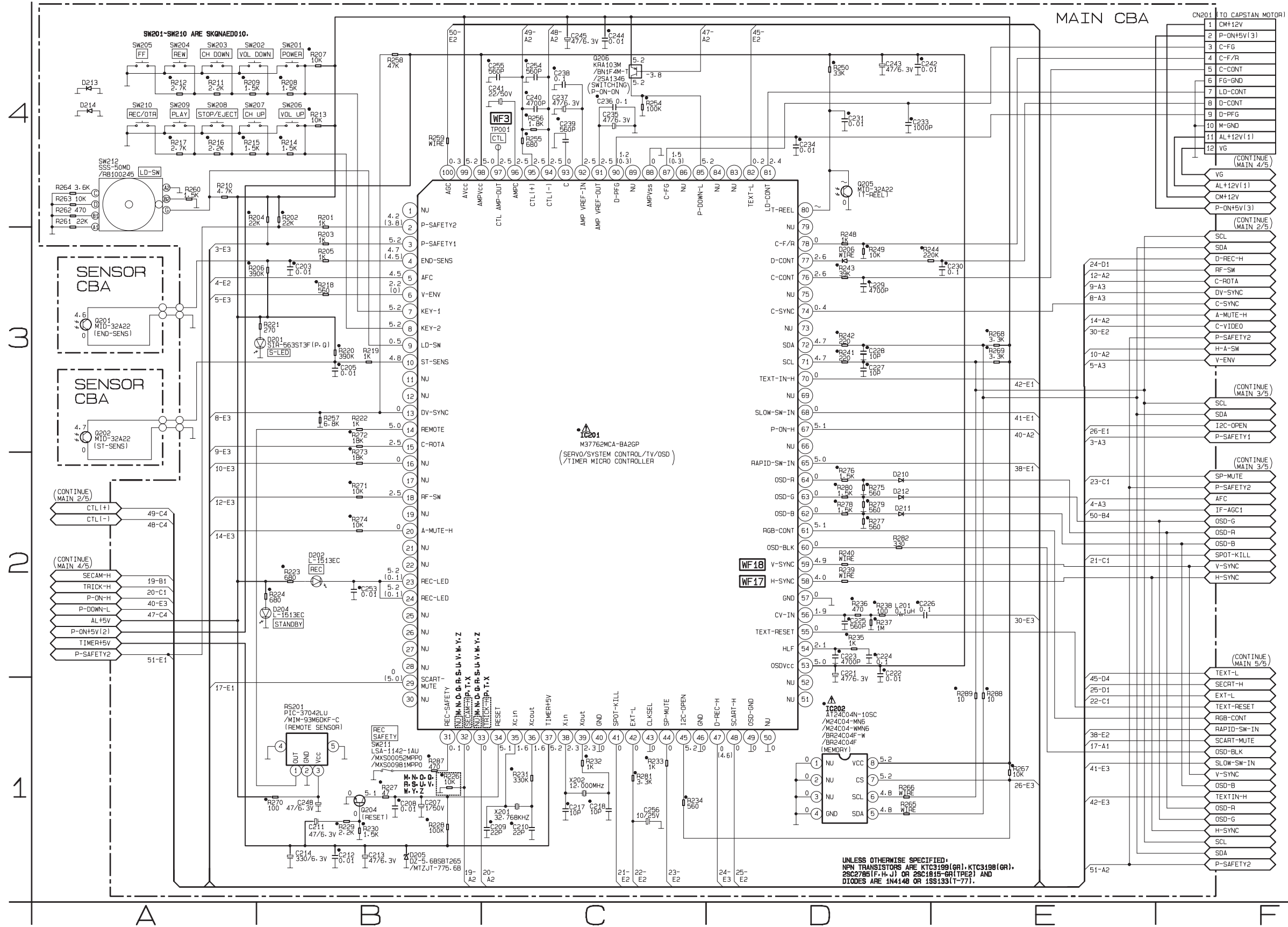
Ref No.	Position	Ref No.	Position	Ref No.	Position	Ref No.	Position
CAPACITORS		CONNECTOR		RESISTORS		RESISTORS	
C203	B-3	CN201	F-5	R220	B-3	R268	E-3
C205	B-3	DIODES		R221	B-3	R269	E-3
C207	B-1	D201	B-3	R222	B-3	R270	B-1
C208	B-1	D202	B-2	R223	B-2	R271	B-2
C209	C-1	D204	B-2	R224	B-2	R272	B-3
C210	C-1	D205	B-1	R226	B-1	R273	B-2
C211	B-1	D206	D-3	R227	B-1	R274	B-2
C212	B-1	D210	D-2	R228	B-1	R275	D-2
C213	B-1	D211	D-2	R229	B-1	R276	D-2
C214	B-1	D212	D-2	R230	B-1	R277	D-2
C217	C-1	D213	A-4	R231	C-1	R278	D-2
C218	C-1	D214	A-4	R232	C-1	R279	D-2
C221	D-2	ICS		R233	C-1	R280	D-2
C222	D-2	IC201	C-3	R234	C-1	R281	C-1
C223	D-2	IC202	D-1	R235	D-2	R282	D-2
C224	D-2	COIL		R236	D-2	R287	B-1
C225	D-2	L201	D-2	R237	D-2	R288	E-1
C226	D-2	TRANSISTORS		R238	D-2	R289	E-1
C227	D-3	Q204	B-1	R239	D-2	SWITCHES	
C228	D-3	Q205	D-4	R240	D-2	SW201	B-4
C229	D-3	Q206	C-4	R241	D-3	SW202	A-4
C230	E-3	RESISTORS		R242	D-3	SW203	A-4
C231	D-4	R201	B-4	R243	D-3	SW204	A-4
C233	D-4	R202	B-4	R244	D-3	SW205	A-4
C234	D-4	R203	B-3	R248	D-3	SW206	B-4
C235	C-4	R204	B-4	R249	D-3	SW207	A-4
C236	C-4	R205	B-3	R250	D-3	SW208	A-4
C237	C-4	R206	B-3	R254	C-4	SW209	A-4
C238	C-4	R207	B-4	R255	C-4	SW210	A-4
C239	C-4	R208	B-4	R256	C-4	SW211	B-1
C240	C-4	R209	A-4	R257	B-3	SW212	A-4
C241	C-4	R210	A-4	R258	B-4	TEST POINT	
C242	D-4	R211	A-4	R259	B-4	TP001	C-4
C243	D-4	R212	A-4	R260	A-4	CRYSTAL OSCILATORS	
C244	C-4	R213	B-4	R261	A-4	X201	C-1
C245	C-4	R214	B-4	R262	A-4	X202	C-1
C248	B-1	R215	A-4	R263	A-4	MISCELLANEOUS	
C253	B-2	R216	A-4	R264	A-4	RS201	B-1
C254	C-4	R217	A-4	R265	D-1		
C255	C-4	R218	B-3	R266	D-1		
C256	C-1	R219	B-3	R267	E-1		

Main 1/5 Schematic Diagram

Voltage indications for PLAY and REC modes on the Schematic Diagrams are as shown below:



* = SMD



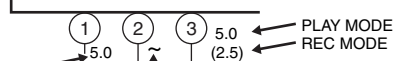
Comparison Chart of Models and Marks

MODEL	MARK
14PV225/07	M
14PV225/01	N
14PV225/58	O
14PV225/39	P
14PV422/07	Q
14PV422/01	R
14PV422/58	S
14PV422/39	T
14PV125/07	U
14PV125/01	V
14PV125/58	W
14PV125/39	X
14PV120/07	Y
14PV425/07	Z

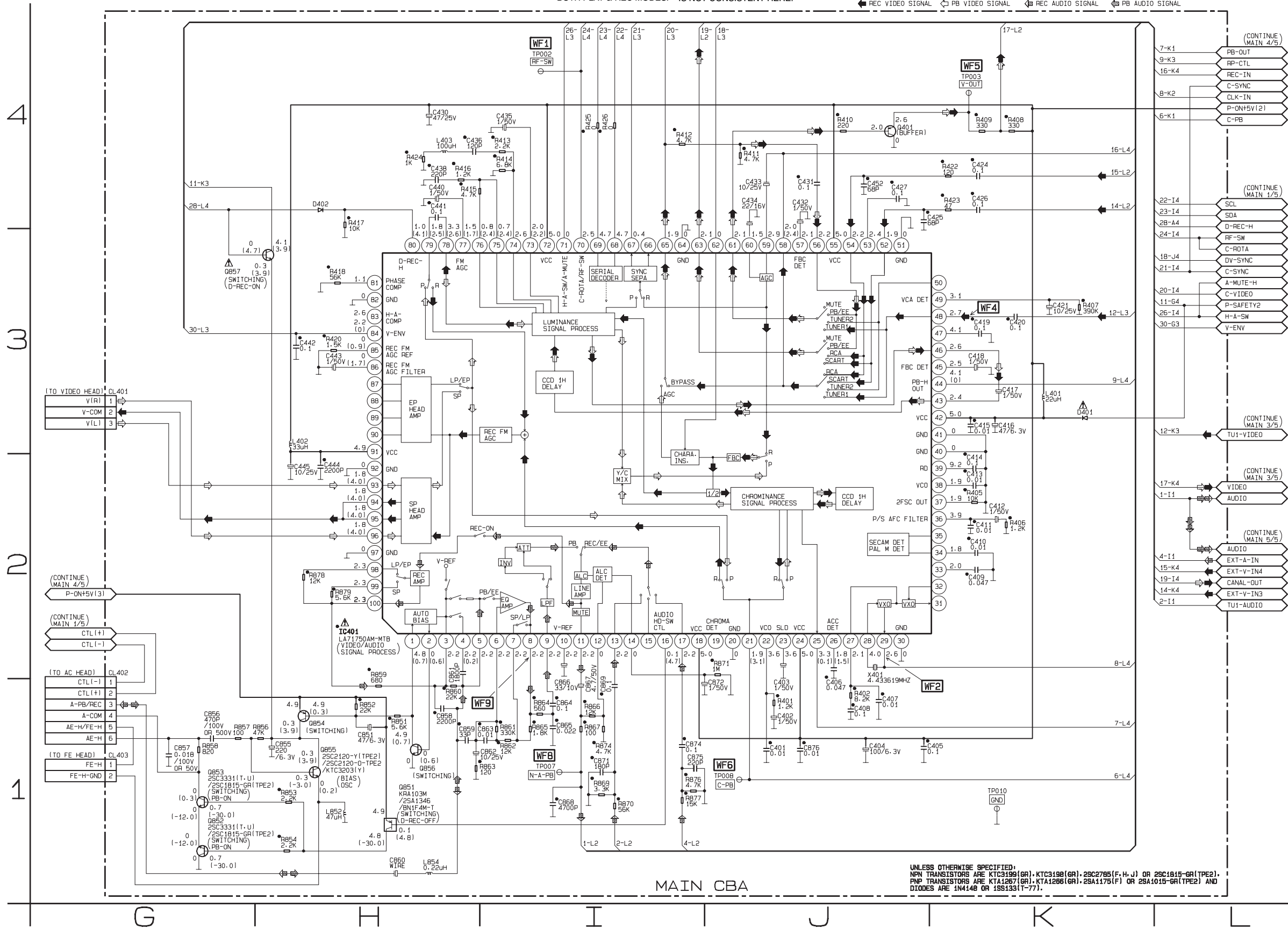
UNLESS OTHERWISE SPECIFIED:
 NPN TRANSISTORS ARE KTC3198(GR), KTC3199(GR),
 2SC2785(F, H, J) OR 2SC1815-6R(TPE2) AND
 DIODES ARE 1N4148 OR 1S9133(T-771).

Main 2/5 Schematic Diagram

Voltage indications for PLAY and REC modes on the Schematic Diagrams are as shown below:



"•" = SMD



MAIN CBA

Main 2/5 Schematic Diagram Parts Location Guide

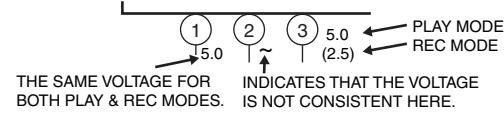
Ref No.	Position	Ref No.	Position	Ref No.	Position	Ref No.	Position
CAPACITORS		CAPACITORS		COILS		RESISTORS	
C401	J-1	C443	H-3	L402	H-3	R851	H-1
C402	J-1	C444	H-2	L403	H-4	R852	H-1
C403	J-2	C445	H-2	L852	H-1	R853	H-1
C404	J-1	C452	J-4	L854	H-1	R854	H-1
C405	J-1	C851	H-1	TRANSISTORS		R856	H-1
C406	J-2	C855	H-1	Q401	J-4	R857	G-1
C407	J-1	C856	G-1	Q851	H-1	R858	G-1
C408	J-1	C857	G-1	Q852	G-1	R859	H-1
C409	K-2	C858	H-1	Q853	G-1	R860	H-1
C410	K-2	C859	H-1	Q854	H-1	R861	I-1
C411	K-2	C860	H-1	Q855	H-1	R862	I-1
C412	K-2	C861	H-2	Q856	H-1	R863	H-1
C413	K-2	C862	H-1	Q857	H-3	R864	I-1
C414	K-2	C863	I-1	RESISTORS		R865	I-1
C415	K-3	C864	I-1	R401	J-1	R866	I-1
C416	K-3	C865	I-1	R402	J-1	R867	I-1
C417	K-3	C866	I-2	R405	K-2	R869	I-1
C418	K-3	C867	I-1	R406	K-2	R870	I-1
C419	K-3	C868	I-1	R407	K-3	R871	J-2
C420	K-3	C869	I-1	R408	K-4	R874	I-1
C421	K-3	C871	I-1	R409	K-4	R876	I-1
C424	K-4	C872	J-1	R410	J-4	R877	I-1
C425	J-4	C874	I-1	R411	J-4	R878	H-2
C426	K-4	C875	I-1	R412	I-4	R879	H-2
C427	J-4	C876	J-1	R413	I-4	CRYSTAL OSCILATOR	
C430	H-4	CONNECTORS		R414	I-4	X401	J-2
C431	J-4	CL401	G-3	R415	H-4	TEST POINTS	
C432	J-4	CL402	G-1	R416	H-4	TP002	I-4
C433	J-4	CL403	G-1	R417	H-4	TP003	K-4
C434	J-4	DIODES		R418	H-3	TP007	I-1
C435	I-4	D401	K-3	R420	H-3	TP008	J-1
C436	H-4	D402	H-4	R422	K-4	TP010	K-1
C438	H-4	IC		R423	K-4		
C440	H-4	IC401	H-2	R424	H-4		
C441	H-4	COILS		R425	I-4		
C442	H-3	L401	K-3	R426	I-4		

Main 3/5 Schematic Diagram Parts Location Guide

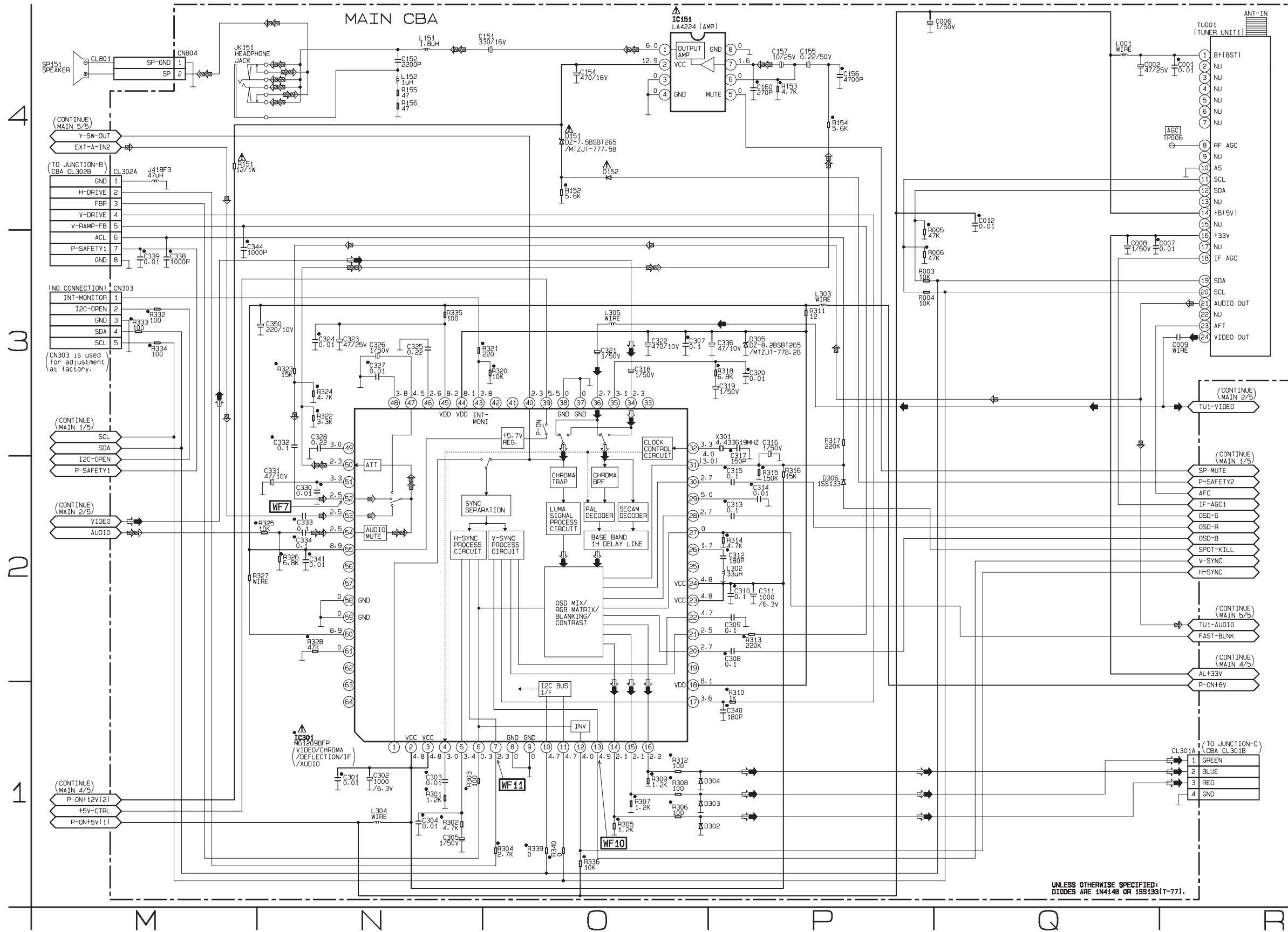
Ref No.	Position	Ref No.	Position	Ref No.	Position
CAPACITORS		CAPACITORS		RESISTORS	
C001	R-4	C333	N-2	R156	N-4
C002	Q-4	C334	N-2	R301	N-1
C006	P-4	C336	P-3	R302	N-1
C007	Q-3	C338	M-3	R303	N-1
C008	Q-3	C339	M-3	R304	O-1
C009	R-3	C340	P-1	R305	O-1
C012	Q-4	C341	N-2	R306	O-1
C151	O-4	C344	M-3	R307	O-1
C152	N-4	C350	N-3	R308	O-1
C154	O-4	CONNECTORS		R309	O-1
C155	P-4	CL301A	R-1	R310	P-1
C156	P-4	CL302A	M-4	R311	P-3
C157	P-4	CN303	M-3	R312	O-1
C160	P-4	CN804	M-4	R313	P-2
C301	N-1	DIODES		R314	P-2
C302	N-1	D151	O-4	R315	P-2
C303	N-1	D152	O-4	R316	P-2
C304	N-1	D302	P-1	R317	P-3
C305	N-1	D303	P-1	R318	P-3
C307	O-3	D304	P-1	R320	O-3
C308	P-2	D305	P-3	R321	N-3
C309	P-2	D306	P-2	R322	N-3
C310	P-2	IC		R323	N-3
C311	P-2	IC151	O-4	R324	N-3
C312	P-2	IC301	N-1	R325	N-2
C313	P-2	COILS		R326	N-2
C314	P-2	J418F3	M-4	R327	M-2
C315	P-2	L001	Q-4	R328	N-2
C316	P-3	L151	N-4	R332	M-3
C317	P-3	L152	N-4	R333	M-3
C318	O-3	L302	P-2	R334	M-3
C319	P-3	L303	P-3	R335	N-3
C320	P-3	L304	N-1	R336	O-1
C321	O-3	L305	O-4	R339	O-1
C322	O-3	RESISTORS		R340	O-1
C323	N-3	R003	P-3	CRYSTAL OSCILATOR	
C324	N-3	R004	P-3	X301	P-3
C325	N-3	R005	P-3	MISCELLANEOUS	
C326	N-3	R006	P-3	JK151	M-4
C327	N-3	R151	M-4	TU001	R-4
C328	N-3	R152	Q-4	TEST POINTS	
C330	N-2	R153	P-4	TP006	R-4
C331	N-2	R154	P-4		
C332	N-3	R155	N-4		

Main 3/5 Schematic Diagram

Voltage indications for PLAY and REC modes on the Schematic Diagrams are as shown below:



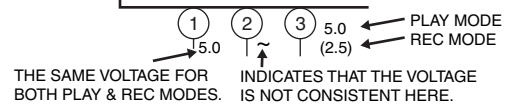
◀ REC VIDEO SIGNAL ◀ PB VIDEO SIGNAL ◀ REC AUDIO SIGNAL ◀ PB AUDIO SIGNAL



UNLESS OTHERWISE SPECIFIED:
DIODES ARE 1N4148 OR 1SS133(T-77).

Main 4/5 Schematic Diagram

Voltage indications for PLAY and REC modes on the Schematic Diagrams are as shown below:

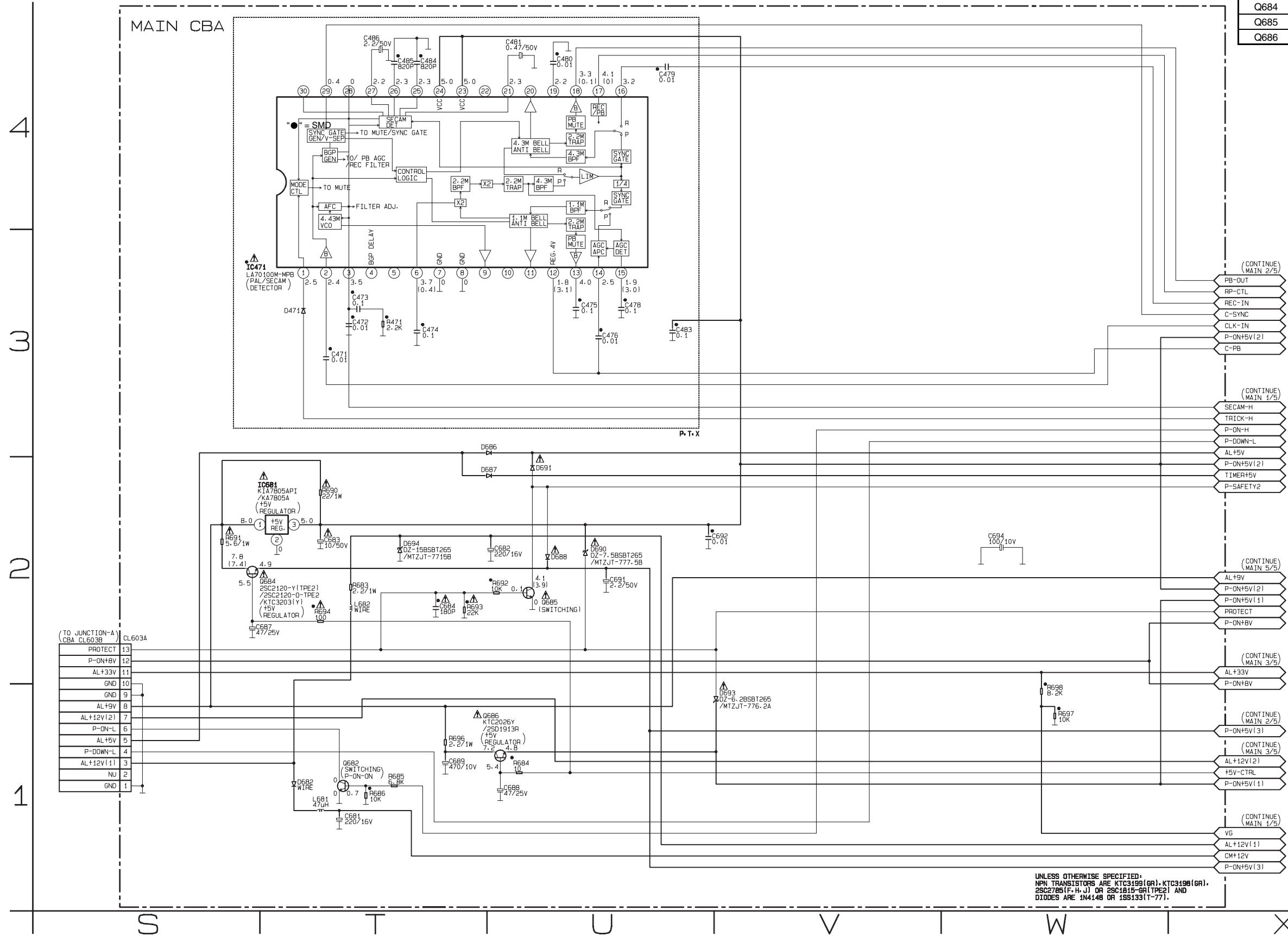


VOLTAGE CHART (Power off mode)

Ref. No.	1	2	3
IC602	3.2	0	1.9
Ref. No.	E	C	B
Q682	0	7.9	0
Q684	0.1	3.1	0
Q685	0	0.6	0
Q686	0	3.1	0

Comparison Chart of Models and Marks

MODEL	MARK
14PV225/07	M
14PV225/01	N
14PV225/58	O
14PV225/39	P
14PV422/07	Q
14PV422/01	R
14PV422/58	S
14PV422/39	T
14PV125/07	U
14PV125/01	V
14PV125/58	W
14PV125/39	X
14PV120/07	Y
14PV425/07	Z



UNLESS OTHERWISE SPECIFIED:
 NPN TRANSISTORS ARE KTC3199(6R), KTC3198(6R),
 2SC2785(F-H-J) OR 2SC1815-6R(TPE2) AND
 DIODES ARE 1N4148 OR 1SS133(T-77).

Main 4/5 Schematic Diagram Parts Location Guide

Ref No.	Position	Ref No.	Position
CAPACITORS		DIODES	
C471	T-3	D688	U-2
C472	T-3	D690	U-2
C473	T-3	D691	U-2
C474	T-3	D693	W-1
C475	U-3	D694	T-2
C476	U-3	ICS	
C478	U-3	IC471	T-3
C479	U-4	IC681	T-2
C480	U-4	COILS	
C481	U-4	L681	T-1
C483	U-3	L682	T-2
C484	T-4	TRANSISTORS	
C485	T-4	Q682	T-1
C486	T-4	Q684	S-2
C681	T-1	Q685	U-2
C682	U-2	Q686	U-1
C683	T-2	RESISTORS	
C684	T-2	R471	T-3
C687	S-2	R681	S-1
C688	U-1	R683	T-2
C689	T-1	R684	U-1
C691	U-2	R685	T-1
C692	U-2	R686	T-1
C694	W-2	R690	T-2
CONNECTOR		R691	S-2
CL603A	S-2	R692	U-2
DIODES		R693	T-2
D471	T-3	R694	T-2
D682	T-1	R696	T-1
D686	U-3	R697	W-1
D687	U-2	R698	W-1

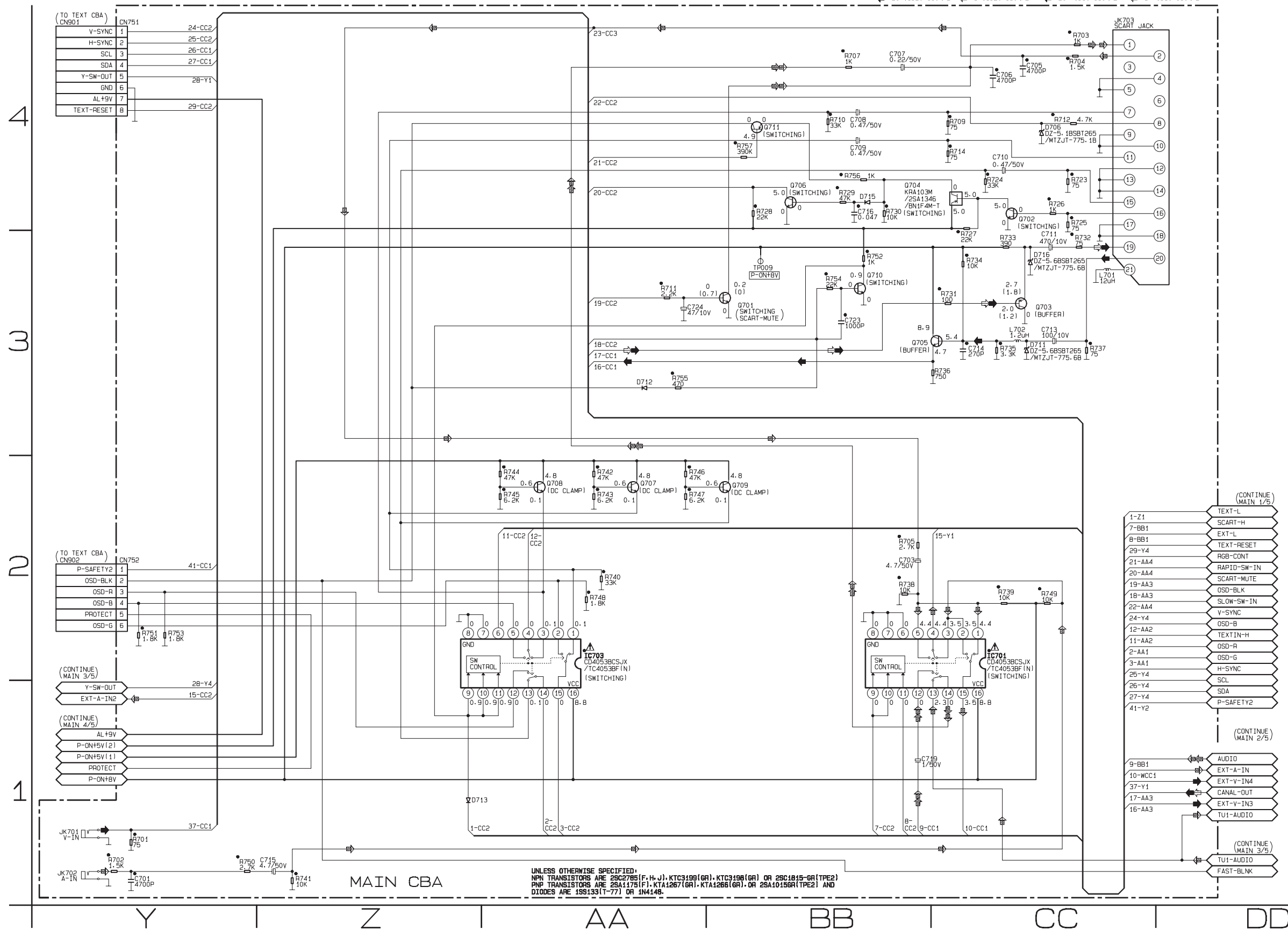
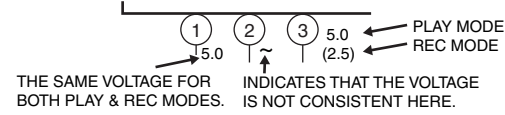
Main 5/5 Schematic Diagram Parts Location Guide

Ref No.	Position	Ref No.	Position
CAPACITORS		RESISTORS	
C701	Y-1	R705	BB-2
C703	BB-2	R707	AA-4
C705	CC-4	R709	CC-4
C706	CC-4	R710	BB-4
C707	AA-4	R711	AA-3
C708	BB-4	R712	CC-4
C709	BB-4	R714	CC-4
C710	CC-4	R723	CC-4
C711	CC-3	R724	CC-4
C713	CC-3	R725	CC-4
C714	CC-3	R726	CC-4
C715	Z-1	R727	CC-3
C716	BB-4	R728	BB-4
C719	BB-1	R729	BB-4
C723	BB-3	R730	BB-4
C724	AA-3	R731	CC-3
CONNECTOR		R732	CC-3
CN751	Y-4	R733	CC-3
CN752	Y-2	R734	CC-3
DIODES		R735	CC-3
D706	CC-4	R736	CC-3
D711	CC-3	R737	CC-3
D712	AA-3	R738	BB-2
D713	Z-1	R739	CC-2
D715	BB-4	R740	AA-2
D716	CC-3	R741	Z-1
ICS		R742	AA-2
IC701	CC-2	R743	AA-2
IC703	AA-2	R744	AA-2
COILS		R745	AA-2
L701	CC-3	R746	AA-2
L702	CC-3	R747	AA-2
TRANSISTORS		R748	AA-2
Q701	BB-3	R749	CC-2
Q702	CC-4	R750	Y-1
Q703	CC-3	R751	Y-2
Q704	BB-4	R752	BB-3
Q705	BB-3	R753	Y-2
Q706	BB-4	R754	BB-3
Q707	AA-2	R755	AA-3
Q708	AA-2	R756	BB-4
Q709	BB-2	R757	BB-4
Q710	BB-3	TEST POINTS	
Q711	BB-4	TP009	BB-3
RESISTORS		MISCELLANEOUS	
R701	Y-1	JK701	Y-1
R702	Y-1	JK702	Y-1
R703	CC-4	JK703	CC-4
R704	CC-4		

Main 5/5 Schematic Diagram

Voltage indications for PLAY and REC modes on the Schematic Diagrams are as shown below:

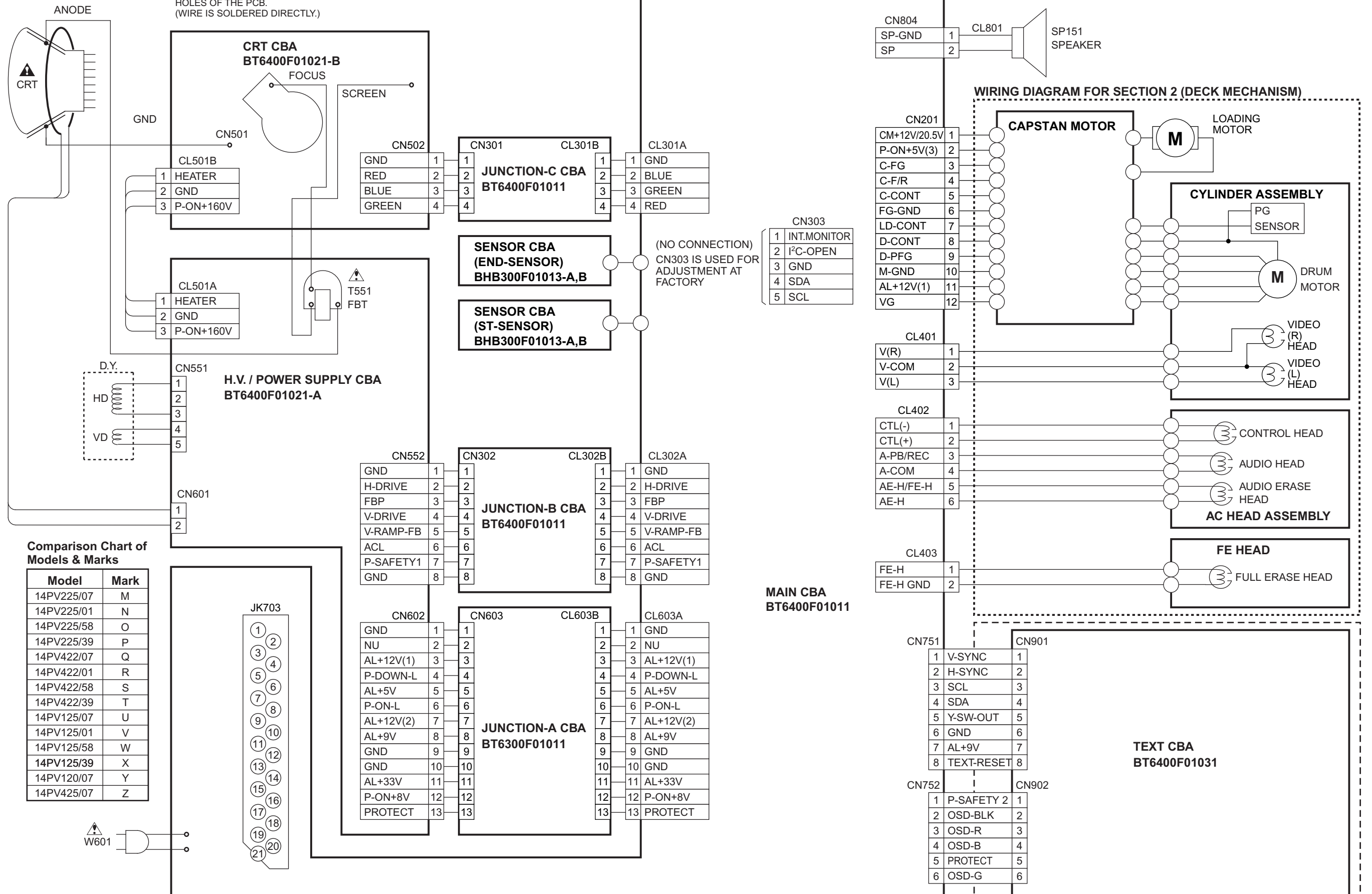
"•" = SMD



UNLESS OTHERWISE SPECIFIED:
 NPN TRANSISTORS ARE 2SC2785(F,H,J), KTC3199(6R), KTC3198(6R) OR 2SC1815-GR(TPE2)
 PNP TRANSISTORS ARE 2SA1175(F), KTA1267(6R), KTA1266(6R), OR 2SA10156R(TPE2) AND
 DIODES ARE 1SS133(T-77) OR 1N4148.

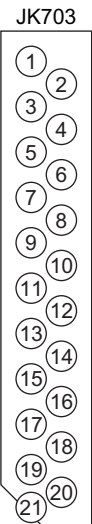
WIRING DIAGRAM

NOTE FOR WIRE CONNECTORS:
 1. PREFIX SYMBOL "CN" MEANS CONNECTOR.
 (CAN DISCONNECT AND RECONNECT.)
 2. PREFIX SYMBOL "CL" MEANS WIRE-SOLDER
 HOLES OF THE PCB.
 (WIRE IS SOLDERED DIRECTLY.)



Comparison Chart of Models & Marks

Model	Mark
14PV225/07	M
14PV225/01	N
14PV225/58	O
14PV422/07	Q
14PV422/01	R
14PV422/58	S
14PV422/39	T
14PV125/07	U
14PV125/01	V
14PV125/58	W
14PV125/39	X
14PV120/07	Y
14PV425/07	Z



IC PIN FUNCTION DESCRIPTIONS

[14PV120/07, 14PV125/ (01, 07, 39, 58), 14PV225/ (01, 07, 39, 58), 14PV422/ (01, 07, 39, 58), 14PV425/07]

Comparison Chart of Models and Marks

Model	Mark
14PV225/07	M
14PV225/01	N
14PV225/58	O
14PV225/39	P
14PV422/07	Q
14PV422/01	R
14PV422/58	S
14PV422/39	T
14PV125/07	U
14PV125/01	V
14PV125/58	W
14PV125/39	X
14PV120/07	Y
14PV425/07	Z

IC 201 (TV/VCR Micro Computer)

“H” ≥ 4.5V, “L” ≤ 1.0V

Pin No.	Mark	IN/OUT	Signal Name	Function
1		-	NU	Not Used
2		IN	P-SAFETY 2	Power Supply Failure Detection 2
3		IN	P-SAFETY 1	Power Supply Failure Detection 1
4		IN	END-SENS	End-Sensor
5		IN	AFC	Automatic Frequency Control Signal
6		IN	V-ENV	Video Envelope Input
7		IN	KEY-1	Key 1 Input
8		IN	KEY-2	Key 2 Input
9		IN	LD-SW	Loading Switch Input
10		IN	ST-SENS	Start-Sensor
11		-	NU	Not Used
12		-	NU	Not Used
13		IN/OUT	D-V SYNC	Artificial V-Sync Output
14		IN	REMOTE	Remote Signal Input

Pin No.	Mark	IN/OUT	Signal Name	Function
15		OUT	C-ROTA	Color Phase Rotary Changeover Signal
16		-	NU	Not Used
17		-	NU	Not Used
18		OUT	RF-SW	Video Head Switching Pulse
19		-	NU	Not Used
20		OUT	A-MUTE-H	Audio Mute Control Signal (Mute = “H”)
21		-	NU	Not Used
22		-	NU	Not Used
23		OUT	REC-LED	Recording LED Control Signal
24		OUT	REC-LED	Recording LED Control Signal
25		-	NU	Not Used
26		-	NU	Not Used
27		-	NU	Not Used
28		-	NU	Not Used
29		IN	SCART-MUTE	RAPID-Switch Input Signal from Scart Jack
30		-	NU	Not Used
31		IN	REC-SAFETY	Record Protection Tab Detection
32	M,N, O,Q, R,S, U,V, W,Y, Z	-	NU	Not Used
	P,T,X	IN	SECAM-H	SECAM Mode at High

Pin No.	Mark	IN/OUT	Signal Name	Function
33	M,N, O,Q, R,S, U,V, W,Y, Z	-	NU	Not Used
	P,T,X	OUT	TRICK-H	Special Playback = "H" in SECAM Mode
34		IN	RESET	System Reset Signal (Reset="L")
35		IN	XCIN	Sub Clock 32 kHz
36		OUT	XCOUT	Sub Clock 32 kHz
37		-	TIMER+5V	Vcc
38		IN	XIN	Main Clock Input
39		OUT	XOUT	Main Clock Output
40		-	GND	GND
41		OUT	SPOT-KILL	Counter-measure for Spot
42		OUT	EXT-L	External Input or Playback = Output
43		IN	CLKSEL	Clock Select (GND)
44		OUT	SP-MUTE	Speaker Mute Signal
45		IN	I2C-OPEN	White Balance Adjust Mode Judgment
46		-	GND	GND
47		OUT	D-REC-H	Delayed Record Signal
48		OUT	SCART-H	Switching Signal of Scart Jack and RCA Jack
49		-	OSD-GND	OSD GND
50		-	NU	Not Used
51		-	NU	Not Used
52		-	NU	Not Used
53		-	OSDVcc	OSDVcc
54		-	HLF	HLF
55		OUT	TEXT-RESET	Tele Text Reset
56		IN	CV-IN	Video Signal Input
57		-	GND	GND
58		IN	H-SYNC	H-SYNC Input
59		IN	V-SYNC	V-SYNC Input
60		OUT	OSD-BLK	Output for Picture Cut off

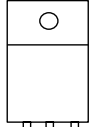
Pin No.	Mark	IN/OUT	Signal Name	Function
61		OUT	RGB-CONT	RGB Control Signal
62		OUT	OSD-B	Blue Output
63		OUT	OSD-G	Green Output
64		OUT	OSD-R	Red Output
65		IN	RAPIT-SW-IN	RAPID-Switch Input Signal
66		-	NU	Not Used
67		OUT	P-ON-H	Power On Signal at High
68		IN	SLOW-SW-IN	Slow Switch Input Signal
69		-	NU	Not Used
70		OUT	TEXT-IN-H	Tele Text Input Signal at High
71		OUT	SCL	E2PROM/CHROMA IC Tuner Communication Clock
72		IN/OUT	SDA	E2PROM/CHROMA IC Tuner Communication Data
73		-	NU	Not Used
74		IN	C-SYNC	C-Sync Input
75		-	NU	Not Used
76		OUT	C-CONT	Capstan Motor Control Signal
77		OUT	D-CONT	Drum Motor Control Signal
78		OUT	C-F/R	Capstan Motor FWD/REV Control Signal (FWD="L"/REV="H")
79		-	NU	Not Used
80		IN	T-REEL	Take Up Reel Rotation Signal
81		OUT	LD-CONT	Loading Motor Control Signal
82		OUT	TEXT-L	Teletext Control Signal
83	L	-	NU	Not Used
84		-	NU	Not Used
85		OUT	P-DOWN-L	Power Voltage Down Detector Signal at Low
86		-	NU	Not Used

Pin No.	Mark	IN/OUT	Signal Name	Function
87		IN	C-FG	Capstan Motor Rotation Detection Pulse
88		-	AMPVss	AMPVss (GND)
89		-	NU	Not Used
90		IN	D-PFG	Drum Motor Phase/Frequency Generator
91		OUT	AMP VREF-OUT	Standard Voltage Output
92		IN	AMP VREF-IN	Standard Voltage Input
93		-	C	C Terminal
94		IN/OUT	CTL (-)	CTL (-)
95		IN/OUT	CTL (+)	CTL (+)
96		-	AMPC	AMPC
97		OUT	CTL AMP-OUT	Control Amp Output
98		-	AMPVcc	AMPVcc
99		-	AVcc	A/D Converter Power Input/Standard Voltage Input
100		IN	AGC	Tuner IF Output Signal

LEAD IDENTIFICATIONS

[14PV120/07, 14PV125/ (01, 07, 39, 58), 14PV225/ (01, 07, 39, 58),
14PV422/ (01, 07, 39, 58), 14PV425/07]

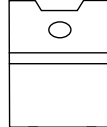
2SK2647



S: Souce
D: Drain
G: Gate

S D G

TT2084LS-YB11
TT2138LS-YB11
2SC5884000RF



E: Emitter
C: Collector
B: Base

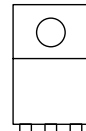
B C E

PT204-6B-12
MID-32A22



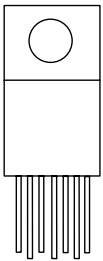
E C

2SD1913(R)
KTC2026Y

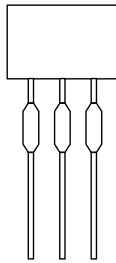


B C E

LA78040A

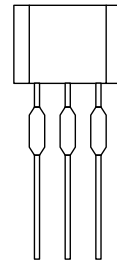


IN G OUT



E C B

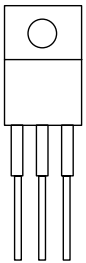
KRA103M
2SA1346
2SC1815-GR(TPE2)
2SC3331(T,U)
2SC2120-(O,Y)(TPE2)
KTC3203(Y)
KTA1266(GR)



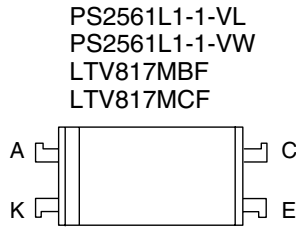
E C B

2SC1627Y-TPE2
2SA950(Y,O)
KTA1271(Y)
2SC2482 TPE6
2SC3468(E,D)-AE
KTC3207
2SA1175(F)
KTA1267(GR)
KTC3198(GR)
BN1F4M-T
KTC3199(GR)
2SC2785(J,H,F)
2SA1015-GR(TPE2)

KIA7805API
KA7805A
AN7805F



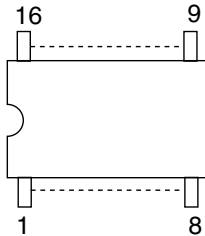
IN G OUT



A K C E

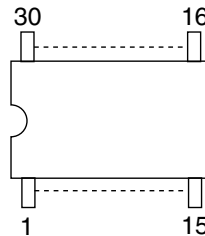
PS2561L1-1-VL
PS2561L1-1-VW
LTV817MBF
LTV817MCF

TC4053BF(N)
CD4053BCSJX

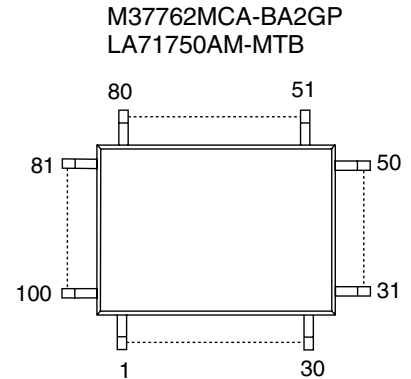


16 9 1 8

LA70100M-MPB

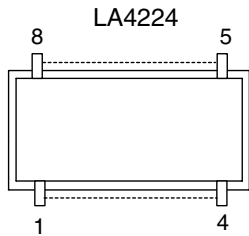


30 16 1 15

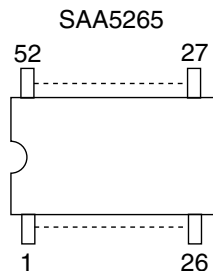


80 51 81 50 100 31 1 30

M37762MCA-BA2GP
LA71750AM-MTB



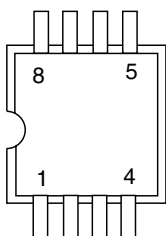
8 5 1 4



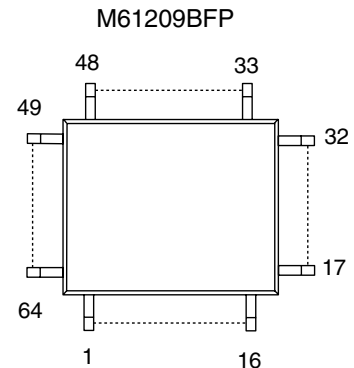
52 27 1 26

SAA5265

BR24C04F-W
AT24C04N-10SC
M24C04-MN6
BR24C04F
M24C04-WMN6



8 5 1 4



48 33 49 32 64 17 1 16

M61209BFP

PRODUCT SAFETY NOTE: Products marked with a ▲

have special characteristics important to safety.
 Before replacing any of these components, read carefully
 the product safety notice in this service manual.
 Don't degrade the safety of the product through improper servicing.

NOTES:

- | | | |
|--------------|-------------|----------------|
| C.....±0.25% | D.....±0.5% | F.....±1% |
| G.....±2% | J.....±5% | K.....±10% |
| M.....±20% | N.....±30% | Z.....+80/-20% |

ELECTRICAL PARTS LIST			14PV120/07	14PV125/01	14PV125/07	14PV125/39	14PV125/58	14PV225/01	14PV225/07	14PV225/39	14PV225/58	14PV422/01	14PV422/07	14PV422/39	14PV422/58
Pos.	▲ 12 NC	Description													
MMA CBA															
Consists of the following															
		MAIN CBA	1	1	1	1	1	1	1	1	1	1	1	1	1
		JUNCTION A CBA	1	1	1	1	1	1	1	1	1	1	1	1	1
		JUNCTION B CBA	1	1	1	1	1	1	1	1	1	1	1	1	1
		JUNCTION C CBA	1	1	1	1	1	1	1	1	1	1	1	1	1
		SENSOR CBA	1	1	1	1	1	1	1	1	1	1	1	1	1
		POWER CBA	1	1	1	1	1	1	1	1	1	1	1	1	1
		CRT CBA	1	1	1	1	1	1	1	1	1	1	1	1	1
		TEXT CBA						1	1	1	1	1	1	1	1
MAIN CBA															
CAPACITORS															
C001		CHIP CERAMIC CAP.(MELF) F Z 0.01UF/16V	1	1	1	1	1	1	1	1	1	1	1	1	1
C002	9965 000 14863	ELECTROLYTIC CAP. 47UF/25V M	1	1	1	1	1	1	1	1	1	1	1	1	1
C006	9965 000 13908	ELECTROLYTIC CAP. 1UF/50V M	1	1	1	1	1	1	1	1	1	1	1	1	1
C007		CHIP CERAMIC CAP. B K 0.01UF/50V	1	1	1	1	1	1	1	1	1	1	1	1	1
C008		ELECTROLYTIC CAP. 1UF/50V M	1	1	1	1	1	1	1	1	1	1	1	1	1
C009		PCB JUMPER D0.6-P5.0	1	1	1	1	1	1	1	1	1	1	1	1	1
C012		CHIP CERAMIC CAP.(MELF) F Z 0.01UF/16V	1	1	1	1	1	1	1	1	1	1	1	1	1
C151		ELECTROLYTIC CAP. 330UF/16V M	1	1	1	1	1	1	1	1	1	1	1	1	1
C152		CERAMIC CAP.(AX) X M 2200PF/16V	1	1	1	1	1	1	1	1	1	1	1	1	1
C154		ELECTROLYTIC CAP. 470UF/16V M	1	1	1	1	1	1	1	1	1	1	1	1	1
C155		ELECTROLYTIC CAP. 0.22UF/50V M H7	1	1	1	1	1	1	1	1	1	1	1	1	1
C156		CHIP CERAMIC CAP. B K 4700PF/50V	1	1	1	1	1	1	1	1	1	1	1	1	1
C157		ELECTROLYTIC CAP. 10UF/25V M H7	1	1	1	1	1	1	1	1	1	1	1	1	1
C160		CHIP CERAMIC CAP. CH J 390PF/50V	1	1	1	1	1	1	1	1	1	1	1	1	1
C203		CHIP CERAMIC CAP.(MELF) F Z 0.01UF/16V	1	1	1	1	1	1	1	1	1	1	1	1	1
C205		CHIP CERAMIC CAP.(MELF) F Z 0.01UF/16V	1	1	1	1	1	1	1	1	1	1	1	1	1
C207		ELECTROLYTIC CAP. 1UF/50V M H7	1	1	1	1	1	1	1	1	1	1	1	1	1
C208		CHIP CERAMIC CAP.(MELF) F Z 0.01UF/16V	1	1	1	1	1	1	1	1	1	1	1	1	1
C209		CHIP CERAMIC CAP. CH J 22PF/50V	1	1	1	1	1	1	1	1	1	1	1	1	1
C210		CHIP CERAMIC CAP. CH J 22PF/50V	1	1	1	1	1	1	1	1	1	1	1	1	1
C211		ELECTROLYTIC CAP. 47UF/6.3V M H7	1	1	1	1	1	1	1	1	1	1	1	1	1
C212		CHIP CERAMIC CAP.(MELF) F Z 0.01UF/16V	1	1	1	1	1	1	1	1	1	1	1	1	1
C213		ELECTROLYTIC CAP. 47UF/6.3V M H7	1	1	1	1	1	1	1	1	1	1	1	1	1
C214		ELECTROLYTIC CAP. 330UF/6.3V M	1	1	1	1	1	1	1	1	1	1	1	1	1
C217		CHIP CERAMIC CAP. CH D 10PF/50V	1	1	1	1	1	1	1	1	1	1	1	1	1
C218		CHIP CERAMIC CAP. CH D 10PF/50V	1	1	1	1	1	1	1	1	1	1	1	1	1
C221		ELECTROLYTIC CAP. 47UF/6.3V M H7	1	1	1	1	1	1	1	1	1	1	1	1	1

ELECTRICAL PARTS LIST			14PV120/07	14PV125/01	14PV125/07	14PV125/39	14PV125/58	14PV225/01	14PV225/07	14PV225/39	14PV225/58	14PV422/01	14PV422/07	14PV422/39	14PV422/58
Pos.	▲ 12 NC	Description													
C222		CHIP CERAMIC CAP.(MELF) F Z 0.01UF/16V	1	1	1	1	1	1	1	1	1	1	1	1	1
C223		CHIP CERAMIC CAP.(MELF) Y K 2200PF/35V	1	1	1	1	1	1	1	1	1	1	1	1	1
C224		CHIP CERAMIC CAP. F Z 0.1UF/50V	1	1	1	1	1	1	1	1	1	1	1	1	1
C225		CHIP CERAMIC CAP. CH J 560PF/50V	1	1	1	1	1	1	1	1	1	1	1	1	1
C226		CHIP CERAMIC CAP. F Z 0.1UF/50V	1	1	1	1	1	1	1	1	1	1	1	1	1
C227		CHIP CERAMIC CAP. CH D 10PF/50V	1	1	1	1	1	1	1	1	1	1	1	1	1
C228		CHIP CERAMIC CAP. CH D 10PF/50V	1	1	1	1	1	1	1	1	1	1	1	1	1
C229		CHIP CERAMIC CAP.(MELF) Y K 4700PF/16V	1	1	1	1	1	1	1	1	1	1	1	1	1
C230		CHIP CERAMIC CAP. F Z 0.1UF/50V	1	1	1	1	1	1	1	1	1	1	1	1	1
C231		CHIP CERAMIC CAP.(MELF) F Z 0.01UF/16V	1	1	1	1	1	1	1	1	1	1	1	1	1
C233		CHIP CERAMIC CAP.(MELF) Y K 1000PF/35V	1	1	1	1	1	1	1	1	1	1	1	1	1
C234		CHIP CERAMIC CAP. B K 0.01UF/50V	1	1	1	1	1	1	1	1	1	1	1	1	1
C235		ELECTROLYTIC CAP. 47UF/6.3V M H7	1	1	1	1	1	1	1	1	1	1	1	1	1
C236		CHIP CERAMIC CAP. B K 0.047UF/50V	1	1	1	1	1	1	1	1	1	1	1	1	1
C237		ELECTROLYTIC CAP. 47UF/6.3V M H7	1	1	1	1	1	1	1	1	1	1	1	1	1
C238		CHIP CERAMIC CAP. B K 0.047UF/50V	1	1	1	1	1	1	1	1	1	1	1	1	1
C239		CHIP CERAMIC CAP. CH J 560PF/50V	1	1	1	1	1	1	1	1	1	1	1	1	1
C240		CHIP CERAMIC CAP.(MELF) Y K 4700PF/16V	1	1	1	1	1	1	1	1	1	1	1	1	1
C241		ELECTROLYTIC CAP. 22UF/50V M	1	1	1	1	1	1	1	1	1	1	1	1	1
C242		CHIP CERAMIC CAP.(MELF) F Z 0.01UF/16V	1	1	1	1	1	1	1	1	1	1	1	1	1
C243		ELECTROLYTIC CAP. 47UF/6.3V M H7	1	1	1	1	1	1	1	1	1	1	1	1	1
C244		CHIP CERAMIC CAP.(MELF) F Z 0.01UF/16V	1	1	1	1	1	1	1	1	1	1	1	1	1
C245		ELECTROLYTIC CAP. 47UF/6.3V M H7	1	1	1	1	1	1	1	1	1	1	1	1	1
C248		ELECTROLYTIC CAP. 47UF/6.3V M H7	1	1	1	1	1	1	1	1	1	1	1	1	1
C253		CHIP CERAMIC CAP. B K 0.01UF/50V	1	1	1	1	1	1	1	1	1	1	1	1	1
C256		ELECTROLYTIC CAP. 10UF/25V M H7	1	1	1	1	1	1	1	1	1	1	1	1	1
C301		CHIP CERAMIC CAP.(MELF) F Z 0.01UF/16V	1	1	1	1	1	1	1	1	1	1	1	1	1
C302		ELECTROLYTIC CAP. 1000UF/6.3V M	1	1	1	1	1	1	1	1	1	1	1	1	1
C303		CHIP CERAMIC CAP. B K 0.01UF/50V	1	1	1	1	1	1	1	1	1	1	1	1	1
C304		CHIP CERAMIC CAP. B K 0.01UF/50V	1	1	1	1	1	1	1	1	1	1	1	1	1
C305		ELECTROLYTIC CAP. 1UF/50V M	1	1	1	1	1	1	1	1	1	1	1	1	1
C307		CHIP CERAMIC CAP. F Z 0.1UF/50V	1	1	1	1	1	1	1	1	1	1	1	1	1
C308		CHIP CERAMIC CAP. F Z 0.1UF/50V	1	1	1	1	1	1	1	1	1	1	1	1	1
C309		FILM CAP.(P) 0.1UF/50V J	1	1	1	1	1	1	1	1	1	1	1	1	1
C310		CHIP CERAMIC CAP. F Z 0.1UF/50V	1	1	1	1	1	1	1	1	1	1	1	1	1
C311		ELECTROLYTIC CAP. 1000UF/6.3V M	1	1	1	1	1	1	1	1	1	1	1	1	1
C312		CHIP CERAMIC CAP.(MELF) B K 180PF/50V	1	1	1	1	1	1	1	1	1	1	1	1	1
C313		CHIP CERAMIC CAP. F Z 0.1UF/50V	1	1	1	1	1	1	1	1	1	1	1	1	1
C314		CHIP CERAMIC CAP. B K 0.01UF/50V	1	1	1	1	1	1	1	1	1	1	1	1	1
C315		CHIP CERAMIC CAP. F Z 0.1UF/50V	1	1	1	1	1	1	1	1	1	1	1	1	1
C316		ELECTROLYTIC CAP. 1UF/50V M	1	1	1	1	1	1	1	1	1	1	1	1	1
C317		CHIP CERAMIC CAP. CH J 150PF/50V	1	1	1	1	1	1	1	1	1	1	1	1	1
C318		ELECTROLYTIC CAP. 1UF/50V M	1	1	1	1	1	1	1	1	1	1	1	1	1
C319		ELECTROLYTIC CAP. 1UF/50V M	1	1	1	1	1	1	1	1	1	1	1	1	1
C320		CHIP CERAMIC CAP. B K 0.01UF/50V	1	1	1	1	1	1	1	1	1	1	1	1	1
C321		ELECTROLYTIC CAP. 1UF/50V M	1	1	1	1	1	1	1	1	1	1	1	1	1
C322		ELECTROLYTIC CAP. 470UF/10V M	1	1	1	1	1	1	1	1	1	1	1	1	1
C323		ELECTROLYTIC CAP. 47UF/25V M	1	1	1	1	1	1	1	1	1	1	1	1	1
C324		CHIP CERAMIC CAP.(MELF) F Z 0.01UF/16V	1	1	1	1	1	1	1	1	1	1	1	1	1
C325		MYLAR CAP. 0.22UF/50V J	1	1	1	1	1	1	1	1	1	1	1	1	1
C326		ELECTROLYTIC CAP. 1UF/50V M	1	1	1	1	1	1	1	1	1	1	1	1	1
C327		CHIP CERAMIC CAP. B K 0.01UF/50V	1	1	1	1	1	1	1	1	1	1	1	1	1
C328		MYLAR CAP. 0.22UF/50V J	1	1	1	1	1	1	1	1	1	1	1	1	1
C330		CHIP CERAMIC CAP.(MELF) F Z 0.01UF/16V	1	1	1	1	1	1	1	1	1	1	1	1	1
C331		ELECTROLYTIC CAP. 47UF/10V M	1	1	1	1	1	1	1	1	1	1	1	1	1
C332		CHIP CERAMIC CAP. F Z 0.1UF/50V	1	1	1	1	1	1	1	1	1	1	1	1	1
C333		CHIP CERAMIC CAP. F Z 0.1UF/50V	1	1	1	1	1	1	1	1	1	1	1	1	1
C334		CHIP CERAMIC CAP. F Z 0.1UF/50V	1	1	1	1	1	1	1	1	1	1	1	1	1
C336		ELECTROLYTIC CAP. 47UF/10V M	1	1	1	1	1	1	1	1	1	1	1	1	1

ELECTRICAL PARTS LIST			14PV120/07	14PV125/01	14PV125/07	14PV125/39	14PV125/58	14PV225/01	14PV225/07	14PV225/39	14PV225/58	14PV422/01	14PV422/07	14PV422/39	14PV422/58
Pos.	▲ 12 NC	Description													
C338		CHIP CERAMIC CAP.(MELF) Y K 1000PF/35V	1	1	1	1	1	1	1	1	1	1	1	1	1
C339		CHIP CERAMIC CAP.(MELF) F Z 0.01UF/16V	1	1	1	1	1	1	1	1	1	1	1	1	1
C340		CHIP CERAMIC CAP.(MELF) SL J 100PF/50V	1	1	1	1	1	1	1	1	1	1	1	1	1
C341		CHIP CERAMIC CAP.(MELF) F Z 0.01UF/16V	1	1	1	1	1	1	1	1	1	1	1	1	1
C344		CHIP CERAMIC CAP.(MELF) Y K 1000PF/35V	1	1	1	1	1	1	1	1	1	1	1	1	1
C350		ELECTROLYTIC CAP. 220UF/10V M	1	1	1	1	1	1	1	1	1	1	1	1	1
C401		CHIP CERAMIC CAP. B K 0.01UF/50V	1	1	1	1	1	1	1	1	1	1	1	1	1
C402		ELECTROLYTIC CAP. 1UF/50V M H7	1	1	1	1	1	1	1	1	1	1	1	1	1
C403		ELECTROLYTIC CAP. 1UF/50V M H7	1	1	1	1	1	1	1	1	1	1	1	1	1
C404		ELECTROLYTIC CAP. 100UF/6.3V H7	1	1	1	1	1	1	1	1	1	1	1	1	1
C405		CHIP CERAMIC CAP. F Z 0.1UF/50V	1	1	1	1	1	1	1	1	1	1	1	1	1
C406		CHIP CERAMIC CAP. B K 0.047UF/50V	1	1	1	1	1	1	1	1	1	1	1	1	1
C407		CHIP CERAMIC CAP. B K 0.01UF/50V	1	1	1	1	1	1	1	1	1	1	1	1	1
C408		CHIP CERAMIC CAP. F Z 0.1UF/50V	1	1	1	1	1	1	1	1	1	1	1	1	1
C409		CHIP CERAMIC CAP. B K 0.047UF/50V	1	1	1	1	1	1	1	1	1	1	1	1	1
C410		CHIP CERAMIC CAP. B K 0.01UF/50V	1	1	1	1	1	1	1	1	1	1	1	1	1
C411		CHIP CERAMIC CAP. B K 0.01UF/50V	1	1	1	1	1	1	1	1	1	1	1	1	1
C412		ELECTROLYTIC CAP. 1UF/50V M H7	1	1	1	1	1	1	1	1	1	1	1	1	1
C413		CHIP CERAMIC CAP. B K 0.01UF/50V	1	1	1	1	1	1	1	1	1	1	1	1	1
C414		CHIP CERAMIC CAP. F Z 0.1UF/50V	1	1	1	1	1	1	1	1	1	1	1	1	1
C415		CHIP CERAMIC CAP. B K 0.01UF/50V	1	1	1	1	1	1	1	1	1	1	1	1	1
C416		ELECTROLYTIC CAP. 47UF/6.3V M H7	1	1	1	1	1	1	1	1	1	1	1	1	1
C417		ELECTROLYTIC CAP. 1UF/50V M H7	1	1	1	1	1	1	1	1	1	1	1	1	1
C418		ELECTROLYTIC CAP. 1UF/50V M H7	1	1	1	1	1	1	1	1	1	1	1	1	1
C419		CHIP CERAMIC CAP. F Z 0.1UF/50V	1	1	1	1	1	1	1	1	1	1	1	1	1
C420		CHIP CERAMIC CAP. F Z 0.1UF/50V	1	1	1	1	1	1	1	1	1	1	1	1	1
C421		ELECTROLYTIC CAP. 10UF/25V M H7	1	1	1	1	1	1	1	1	1	1	1	1	1
C424		CHIP CERAMIC CAP. F Z 0.1UF/50V	1	1	1	1	1	1	1	1	1	1	1	1	1
C425		CHIP CERAMIC CAP. CH J 68PF/50V	1	1	1	1	1	1	1	1	1	1	1	1	1
C426		CHIP CERAMIC CAP. F Z 0.1UF/50V	1	1	1	1	1	1	1	1	1	1	1	1	1
C427		CHIP CERAMIC CAP. F Z 0.1UF/50V	1	1	1	1	1	1	1	1	1	1	1	1	1
C430		ELECTROLYTIC CAP. 47UF/25V M	1	1	1	1	1	1	1	1	1	1	1	1	1
C431		CHIP CERAMIC CAP. F Z 0.1UF/50V	1	1	1	1	1	1	1	1	1	1	1	1	1
C432		ELECTROLYTIC CAP. 1UF/50V M H7	1	1	1	1	1	1	1	1	1	1	1	1	1
C433		ELECTROLYTIC CAP. 10UF/25V M H7	1	1	1	1	1	1	1	1	1	1	1	1	1
C434		ELECTROLYTIC CAP. 22UF/16V M H7	1	1	1	1	1	1	1	1	1	1	1	1	1
C435		ELECTROLYTIC CAP. 1UF/50V M H7	1	1	1	1	1	1	1	1	1	1	1	1	1
C436		CHIP CERAMIC CAP. CH J 120PF/50V	1	1	1	1	1	1	1	1	1	1	1	1	1
C438		CHIP CERAMIC CAP. CH J 220PF/50V	1	1	1	1	1	1	1	1	1	1	1	1	1
C440		ELECTROLYTIC CAP. 1UF/50V M H7	1	1	1	1	1	1	1	1	1	1	1	1	1
C441		CHIP CERAMIC CAP. F Z 0.1UF/50V	1	1	1	1	1	1	1	1	1	1	1	1	1
C442		CHIP CERAMIC CAP. F Z 0.1UF/50V	1	1	1	1	1	1	1	1	1	1	1	1	1
C443		ELECTROLYTIC CAP. 1UF/50V M H7	1	1	1	1	1	1	1	1	1	1	1	1	1
C444		CHIP CERAMIC CAP. B K 1000PF/50V	1	1	1	1	1	1	1	1	1	1	1	1	1
C445		ELECTROLYTIC CAP. 10UF/25V M H7	1	1	1	1	1	1	1	1	1	1	1	1	1
C452		CHIP CERAMIC CAP. CH J 68PF/50V	1	1	1	1	1	1	1	1	1	1	1	1	1
C471		CHIP CERAMIC CAP. B K 0.01UF/50V				1				1				1	
C472		CHIP CERAMIC CAP. B K 0.01UF/50V				1				1				1	
C473		CHIP CERAMIC CAP. F Z 0.1UF/50V				1				1				1	
C474		CHIP CERAMIC CAP. F Z 0.1UF/50V				1				1				1	
C475		CHIP CERAMIC CAP. F Z 0.1UF/50V				1				1				1	
C476		CHIP CERAMIC CAP. B K 0.01UF/50V				1				1				1	
C478		CHIP CERAMIC CAP. F Z 0.1UF/50V				1				1				1	
C479		CHIP CERAMIC CAP. B K 0.01UF/50V				1				1				1	
C480		CHIP CERAMIC CAP. B K 0.01UF/50V				1				1				1	
C481		ELECTROLYTIC CAP. 0.47UF/50V M H7				1				1				1	
C483		CHIP CERAMIC CAP. F Z 0.1UF/50V				1				1				1	
C484		CHIP CERAMIC CAP. CH J 820PF/50V				1				1				1	
C485		CHIP CERAMIC CAP. CH J 820PF/50V				1				1				1	

ELECTRICAL PARTS LIST			14PV120/07	14PV125/01	14PV125/07	14PV125/39	14PV125/58	14PV225/01	14PV225/07	14PV225/39	14PV225/58	14PV422/01	14PV422/07	14PV422/39	14PV422/58	
Pos.	▲ 12 NC	Description														
C486		ELECTROLYTIC CAP. 2.2UF/50V M H7				1				1					1	
C681		ELECTROLYTIC CAP. 220UF/16V M	1	1	1	1	1	1	1	1	1	1	1	1	1	
C682		ELECTROLYTIC CAP. 220UF/16V M	1	1	1	1	1	1	1	1	1	1	1	1	1	
C683		ELECTROLYTIC CAP. 10UF/50V M	1	1	1	1	1	1	1	1	1	1	1	1	1	
C684		CHIP CERAMIC CAP.(MELF) SL J 100PF/50V	1	1	1	1	1	1	1	1	1	1	1	1	1	
C687		ELECTROLYTIC CAP. 47UF/25V M	1	1	1	1	1	1	1	1	1	1	1	1	1	
C688		ELECTROLYTIC CAP. 47UF/25V M	1	1	1	1	1	1	1	1	1	1	1	1	1	
C689		ELECTROLYTIC CAP. 470UF/10V M	1	1	1	1	1	1	1	1	1	1	1	1	1	
C691		ELECTROLYTIC CAP. 2.2UF/50V M	1	1	1	1	1	1	1	1	1	1	1	1	1	
C692		CHIP CERAMIC CAP.(MELF) F Z 0.01UF/16V	1	1	1	1	1	1	1	1	1	1	1	1	1	
C694		ELECTROLYTIC CAP. 100UF/10V M	1	1	1	1	1	1	1	1	1	1	1	1	1	
C701		CHIP CERAMIC CAP.(MELF) Y K 4700PF/16V	1	1	1	1	1	1	1	1	1	1	1	1	1	
C703		ELECTROLYTIC CAP. 4.7UF/50V M	1	1	1	1	1	1	1	1	1	1	1	1	1	
C705		CHIP CERAMIC CAP.(MELF) Y K 4700PF/16V	1	1	1	1	1	1	1	1	1	1	1	1	1	
C706		CHIP CERAMIC CAP.(MELF) Y K 6800PF/16V	1	1	1	1	1	1	1	1	1	1	1	1	1	
C707		ELECTROLYTIC CAP. 0.22UF/50V M	1	1	1	1	1	1	1	1	1	1	1	1	1	
C708		ELECTROLYTIC CAP. 0.47UF/50V M	1	1	1	1	1	1	1	1	1	1	1	1	1	
C709		ELECTROLYTIC CAP. 0.47UF/50V M	1	1	1	1	1	1	1	1	1	1	1	1	1	
C710		ELECTROLYTIC CAP. 0.47UF/50V M	1	1	1	1	1	1	1	1	1	1	1	1	1	
C711		ELECTROLYTIC CAP. 470UF/10V M	1	1	1	1	1	1	1	1	1	1	1	1	1	
C713		ELECTROLYTIC CAP. 100UF/10V M	1	1	1	1	1	1	1	1	1	1	1	1	1	
C714		CHIP CERAMIC CAP. CH J 270PF/50V	1	1	1	1	1	1	1	1	1	1	1	1	1	
C715		ELECTROLYTIC CAP. 4.7UF/50V M	1	1	1	1	1	1	1	1	1	1	1	1	1	
C716		CHIP CERAMIC CAP. B K 0.047UF/50V	1	1	1	1	1	1	1	1	1	1	1	1	1	
C719		ELECTROLYTIC CAP. 1UF/50V M	1	1	1	1	1	1	1	1	1	1	1	1	1	
C723		CHIP CERAMIC CAP.(MELF) Y K 1000PF/35V	1	1	1	1	1	1	1	1	1	1	1	1	1	
C724		ELECTROLYTIC CAP. 47UF/10V M	1	1	1	1	1	1	1	1	1	1	1	1	1	
C851		ELECTROLYTIC CAP. 47UF/6.3V M H7	1	1	1	1	1	1	1	1	1	1	1	1	1	
C855		ELECTROLYTIC CAP. 220UF/6.3V M H7	1	1	1	1	1	1	1	1	1	1	1	1	1	
C856		CERAMIC CAP. B K 470PF/100V	1	1	1	1	1	1	1	1	1	1	1	1	1	
C857		FILM CAP.(P) 0.018UF/100V J	1	1	1	1	1	1	1	1	1	1	1	1	1	
C858		CHIP CERAMIC CAP. B K 2200PF/50V	1	1	1	1	1	1	1	1	1	1	1	1	1	
C859		CHIP CERAMIC CAP.(MELF) SL J 33PF/50V	1	1	1	1	1	1	1	1	1	1	1	1	1	
C860		PCB JUMPER D0.6-P5.0	1	1	1	1	1	1	1	1	1	1	1	1	1	
C861		CERAMIC CAP.(AX) X M 1800PF/16V	1	1	1	1	1	1	1	1	1	1	1	1	1	
C862		ELECTROLYTIC CAP. 10UF/25V M H7	1	1	1	1	1	1	1	1	1	1	1	1	1	
C863		CHIP CERAMIC CAP. B K 0.01UF/50V	1	1	1	1	1	1	1	1	1	1	1	1	1	
C864		CHIP CERAMIC CAP. F Z 0.1UF/50V	1	1	1	1	1	1	1	1	1	1	1	1	1	
C865		CHIP CERAMIC CAP. B K 0.022UF/50V	1	1	1	1	1	1	1	1	1	1	1	1	1	
C866		ELECTROLYTIC CAP. 33UF/10V H7	1	1	1	1	1	1	1	1	1	1	1	1	1	
C867		ELECTROLYTIC CAP. 4.7UF/50V M H7	1	1	1	1	1	1	1	1	1	1	1	1	1	
C868		CHIP CERAMIC CAP.(MELF) Y K 4700PF/16V	1	1	1	1	1	1	1	1	1	1	1	1	1	
C869		CHIP CERAMIC CAP. F Z 0.1UF/50V	1	1	1	1	1	1	1	1	1	1	1	1	1	
C871		CHIP CERAMIC CAP.(MELF) B K 150PF/50V	1	1	1	1	1	1	1	1	1	1	1	1	1	
C872		ELECTROLYTIC CAP. 1UF/50V M H7	1	1	1	1	1	1	1	1	1	1	1	1	1	
C874		CHIP CERAMIC CAP. F Z 0.1UF/50V	1	1	1	1	1	1	1	1	1	1	1	1	1	
C875		CHIP CERAMIC CAP. CH J 220PF/50V	1	1	1	1	1	1	1	1	1	1	1	1	1	
C876		CHIP CERAMIC CAP. B K 0.01UF/50V	1	1	1	1	1	1	1	1	1	1	1	1	1	
MISCELLANEOUS																
1005	3143 027 10191	TUN IF V+U PLL IEC BGDKI 03	1	1	1		1	1	1		1	1	1		1	
1005	3143 027 10201	TUN IF V+U PLL IEC BGDKIL 03				1				1					1	
5000	3143 021 00011	COI DEGAUS FUNAI	1	1	1	1	1	1	1	1	1	1	1	1	1	
8000	3143 021 00031	EARTH CABLE	1	1	1	1	1	1	1	1	1	1	1	1	1	
8016	2422 070 98211	MAINSCORD EUR 2A5 1M7 JH BK B		1		1	1		1	1	1			1	1	
8016	2422 070 98218	MAINSCORD UK 5A 1M8 BK B	1		1				1					1		
CONNECTORS																
CL604	9965 000 18088	WIRE ASSEMBLY 1P/45	1	1	1	1	1	1	1	1	1	1	1	1	1	
CN201	9965 000 13840	FFC/FPC CONNECTOR, 12P	1	1	1	1	1	1	1	1	1	1	1	1	1	
CN301	9965 000 05261	CONNECTOR 4P TUC-P04X-B1	1	1	1	1	1	1	1	1	1	1	1	1	1	

ELECTRICAL PARTS LIST			14PV120/07	14PV125/01	14PV125/07	14PV125/39	14PV125/58	14PV225/01	14PV225/07	14PV225/39	14PV225/58	14PV422/01	14PV422/07	14PV422/39	14PV422/58	
Pos.	▲ 12 NC	Description														
CN302	9965 000 13916	CONNECTOR, 8P TUC-P08X-B1	1	1	1	1	1	1	1	1	1	1	1	1	1	
CN303	9965 000 13841	CONNECTOR BASE, 5P TUC-P05P-B1	1	1	1	1	1	1	1	1	1	1	1	1	1	
CN603	9965 000 18089	CONNECTOR 13P TUC-P13X-B1	1	1	1	1	1	1	1	1	1	1	1	1	1	
CN751	9965 000 13842	CONNECTOR BASE, 8P TUC-P08P-B1	1	1	1	1	1	1	1	1	1	1	1	1	1	
CN752	9965 000 13843	CONNECTOR BASE, 6P TUC-P06P-B1	1	1	1	1	1	1	1	1	1	1	1	1	1	
CN804	9965 000 13844	STRAIGHT CONNECTOR BASE	1	1	1	1	1	1	1	1	1	1	1	1	1	
DIODES																
D151	9965 000 13848	ZENER DIODE MTZJT-777.5B	1	1	1	1	1	1	1	1	1	1	1	1	1	
D152	4822 130 32778	SWITCHING DIODE 1SS133(T-77)	1	1	1	1	1	1	1	1	1	1	1	1	1	
D201	9965 000 05250	LED SIR-563ST3F P	1	1	1	1	1	1	1	1	1	1	1	1	1	
D202	9965 000 13846	LED(RED) L-1513EC	1	1	1	1	1	1	1	1	1	1	1	1	1	
D204	9965 000 13846	LED(RED) L-1513EC	1	1	1	1	1	1	1	1	1	1	1	1	1	
D205	9965 000 05249	ZENER DIODE MTZJT-775.6B	1	1	1	1	1	1	1	1	1	1	1	1	1	
D206		PCB JUMPER D0.6-P5.0	1	1	1	1	1	1	1	1	1	1	1	1	1	
D210	4822 130 32778	SWITCHING DIODE 1SS133(T-77)	1	1	1	1	1	1	1	1	1	1	1	1	1	
D211	4822 130 32778	SWITCHING DIODE 1SS133(T-77)	1	1	1	1	1	1	1	1	1	1	1	1	1	
D212	4822 130 32778	SWITCHING DIODE 1SS133(T-77)	1	1	1	1	1	1	1	1	1	1	1	1	1	
D213	4822 130 32778	SWITCHING DIODE 1SS133(T-77)	1	1	1	1	1	1	1	1	1	1	1	1	1	
D214	4822 130 32778	SWITCHING DIODE 1SS133(T-77)	1	1	1	1	1	1	1	1	1	1	1	1	1	
D302	4822 130 32778	SWITCHING DIODE 1SS133(T-77)	1	1	1	1	1	1	1	1	1	1	1	1	1	
D303	4822 130 32778	SWITCHING DIODE 1SS133(T-77)	1	1	1	1	1	1	1	1	1	1	1	1	1	
D304	4822 130 32778	SWITCHING DIODE 1SS133(T-77)	1	1	1	1	1	1	1	1	1	1	1	1	1	
D305	9965 000 11153	ZENER DIODE MTZJT-778.2B	1	1	1	1	1	1	1	1	1	1	1	1	1	
D306	4822 130 32778	SWITCHING DIODE 1SS133(T-77)	1	1	1	1	1	1	1	1	1	1	1	1	1	
D401	4822 130 32778	SWITCHING DIODE 1SS133(T-77)	1	1	1	1	1	1	1	1	1	1	1	1	1	
D402	4822 130 32778	SWITCHING DIODE 1SS133(T-77)	1	1	1	1	1	1	1	1	1	1	1	1	1	
D471	4822 130 32778	SWITCHING DIODE 1SS133(T-77)				1				1				1		
D682		PCB JUMPER D0.6-P10.0	1	1	1	1	1	1	1	1	1	1	1	1	1	
D686	4822 130 32778	SWITCHING DIODE 1SS133(T-77)	1	1	1	1	1	1	1	1	1	1	1	1	1	
D687	4822 130 32778	SWITCHING DIODE 1SS133(T-77)	1	1	1	1	1	1	1	1	1	1	1	1	1	
D688	4822 130 32778	SWITCHING DIODE 1SS133(T-77)	1	1	1	1	1	1	1	1	1	1	1	1	1	
D690	9965 000 13848	ZENER DIODE MTZJT-777.5B	1	1	1	1	1	1	1	1	1	1	1	1	1	
D691	4822 130 32778	SWITCHING DIODE 1SS133(T-77)	1	1	1	1	1	1	1	1	1	1	1	1	1	
D693	9965 000 18090	ZENER DIODE MTZJT-776.2A	1	1	1	1	1	1	1	1	1	1	1	1	1	
D694	9965 000 18091	ZENER DIODE MTZJT-7715B	1	1	1	1	1	1	1	1	1	1	1	1	1	
D706	9965 000 12904	ZENER DIODE DZ-5.1BSBT265	1	1	1	1	1	1	1	1	1	1	1	1	1	
D711	9965 000 05249	ZENER DIODE MTZJT-775.6B	1	1	1	1	1	1	1	1	1	1	1	1	1	
D712	4822 130 32778	SWITCHING DIODE 1SS133(T-77)	1	1	1	1	1	1	1	1	1	1	1	1	1	
D713	4822 130 32778	SWITCHING DIODE 1SS133(T-77)	1	1	1	1	1	1	1	1	1	1	1	1	1	
D715	4822 130 32778	SWITCHING DIODE 1SS133(T-77)	1	1	1	1	1	1	1	1	1	1	1	1	1	
D716	9965 000 05249	ZENER DIODE MTZJT-775.6B	1	1	1	1	1	1	1	1	1	1	1	1	1	
IC's																
IC151	9965 000 13853	AUDIO AMP LA4224	1	1	1	1	1	1	1	1	1	1	1	1	1	
IC201	9965 000 18092	MICRO COMPUTER M37762MCA-BA2GP	1	1	1	1	1	1	1	1	1	1	1	1	1	
IC202	9965 000 13030	IC:MEMORY BR24C04F-W	1	1	1	1	1	1	1	1	1	1	1	1	1	
IC301	9965 000 18093	IC:CHROMA/IF 1 CHIP M61209BFP	1	1	1	1	1	1	1	1	1	1	1	1	1	
IC401	9965 000 12180	IC:Y/C/A LA71750AM-MTB	1	1	1	1	1	1	1	1	1	1	1	1	1	
IC471	9965 000 13927	IC:SECAM LA70100M-MPB				1				1				1		
IC681	9965 000 13851	VOLTAGE REGULATOR KIA7805API	1	1	1	1	1	1	1	1	1	1	1	1	1	
IC701	9965 000 13852	IC:SWITCH TC4053BF(N)	1	1	1	1	1	1	1	1	1	1	1	1	1	
IC703	9965 000 13852	IC:SWITCH TC4053BF(N)	1	1	1	1	1	1	1	1	1	1	1	1	1	
JACK																
JK151	9965 000 13855	HEADPHONE JACK MSJ-035-10A B	1	1	1	1	1	1	1	1	1	1	1	1	1	
JK701	4822 265 11659	RCA JACK(YELLOW) MSP-281V4-B	1	1	1	1	1	1	1	1	1	1	1	1	1	
JK702	4822 265 11661	RCA JACK(WHITE) MSP-281V1-B	1	1	1	1	1	1	1	1	1	1	1	1	1	
JK703	9965 000 13854	SKIRT JACK 21P HRC-21V-02P	1	1	1	1	1	1	1	1	1	1	1	1	1	
L001		PCB JUMPER D0.6-P5.0	1	1	1	1	1	1	1	1	1	1	1	1	1	
COILS																

ELECTRICAL PARTS LIST			14PV120/07	14PV125/01	14PV125/07	14PV125/39	14PV125/58	14PV225/01	14PV225/07	14PV225/39	14PV225/58	14PV422/01	14PV422/07	14PV422/39	14PV422/58	
Pos.	▲ 12 NC	Description														
J418F3	9965 000 05627	CHOKE COIL 47UH-K	1	1	1	1	1	1	1	1	1	1	1	1	1	
L151	9965 000 18094	INDUCTOR 1.8UH-J-26T	1	1	1	1	1	1	1	1	1	1	1	1	1	
L152	9965 000 13856	INDUCTOR 1.0UH-J-26T	1	1	1	1	1	1	1	1	1	1	1	1	1	
L201	9965 000 13857	INDUCTOR 0.10UH-K-26T	1	1	1	1	1	1	1	1	1	1	1	1	1	
L302	9965 000 13858	INDUCTOR 33UH-J-26T	1	1	1	1	1	1	1	1	1	1	1	1	1	
L303		PCB JUMPER D0.6-P7.5	1	1	1	1	1	1	1	1	1	1	1	1	1	
L304		PCB JUMPER D0.6-P7.5	1	1	1	1	1	1	1	1	1	1	1	1	1	
L305		PCB JUMPER D0.6-P5.0	1	1	1	1	1	1	1	1	1	1	1	1	1	
L401	9965 000 13859	INDUCTOR 22UH-J-26T	1	1	1	1	1	1	1	1	1	1	1	1	1	
L402	9965 000 13858	INDUCTOR 33UH-J-26T	1	1	1	1	1	1	1	1	1	1	1	1	1	
L403	9965 000 13893	INDUCTOR 100UH-J-26T	1	1	1	1	1	1	1	1	1	1	1	1	1	
L681	9965 000 05627	CHOKE COIL 47UH-K	1	1	1	1	1	1	1	1	1	1	1	1	1	
L682		PCB JUMPER D0.6-P7.5	1	1	1	1	1	1	1	1	1	1	1	1	1	
L701	9965 000 13860	INDUCTOR 12UH-J-26T	1	1	1	1	1	1	1	1	1	1	1	1	1	
L702	9965 000 13861	INDUCTOR 1.2UH-J-26T	1	1	1	1	1	1	1	1	1	1	1	1	1	
L852	9965 000 05705	INDUCTOR 47UH-K-5FT	1	1	1	1	1	1	1	1	1	1	1	1	1	
L854	9965 000 18095	INDUCTOR 0.22UH-K-26T	1	1	1	1	1	1	1	1	1	1	1	1	1	
TRANSISTORS																
Q204	9965 000 05643	TRANSISTOR 2SC2785(F)	1	1	1	1	1	1	1	1	1	1	1	1	1	
Q205	9965 000 18096	PHOTO TRANSISTOR MID-32A22	1	1	1	1	1	1	1	1	1	1	1	1	1	
Q206	4822 130 10145	RES. BUILT-IN TRANSISTOR KRA103M	1	1	1	1	1	1	1	1	1	1	1	1	1	
Q401	4822 130 42959	TRANSISTOR KTA1266(GR)	1	1	1	1	1	1	1	1	1	1	1	1	1	
Q682	9965 000 05643	TRANSISTOR 2SC2785(F)	1	1	1	1	1	1	1	1	1	1	1	1	1	
Q684	4822 130 42292	TRANSISTOR 2SC2120-Y(TPE2)	1	1	1	1	1	1	1	1	1	1	1	1	1	
Q685	9965 000 05643	TRANSISTOR 2SC2785(F)	1	1	1	1	1	1	1	1	1	1	1	1	1	
Q686	9965 000 13863	TRANSISTOR 2SD1913(R)	1	1	1	1	1	1	1	1	1	1	1	1	1	
Q701	9965 000 05643	TRANSISTOR 2SC2785(F)	1	1	1	1	1	1	1	1	1	1	1	1	1	
Q702	9965 000 05643	TRANSISTOR 2SC2785(F)	1	1	1	1	1	1	1	1	1	1	1	1	1	
Q703	4822 130 42959	TRANSISTOR KTA1266(GR)	1	1	1	1	1	1	1	1	1	1	1	1	1	
Q704	4822 130 10145	RES. BUILT-IN TRANSISTOR KRA103M	1	1	1	1	1	1	1	1	1	1	1	1	1	
Q705	9965 000 05643	TRANSISTOR 2SC2785(F)	1	1	1	1	1	1	1	1	1	1	1	1	1	
Q706	9965 000 05643	TRANSISTOR 2SC2785(F)	1	1	1	1	1	1	1	1	1	1	1	1	1	
Q707	9965 000 05643	TRANSISTOR 2SC2785(F)	1	1	1	1	1	1	1	1	1	1	1	1	1	
Q708	9965 000 05643	TRANSISTOR 2SC2785(F)	1	1	1	1	1	1	1	1	1	1	1	1	1	
Q709	9965 000 05643	TRANSISTOR 2SC2785(F)	1	1	1	1	1	1	1	1	1	1	1	1	1	
Q710	9965 000 05643	TRANSISTOR 2SC2785(F)	1	1	1	1	1	1	1	1	1	1	1	1	1	
Q711	4822 130 42959	TRANSISTOR KTA1266(GR)	1	1	1	1	1	1	1	1	1	1	1	1	1	
Q851	4822 130 10145	RES. BUILT-IN TRANSISTOR KRA103M	1	1	1	1	1	1	1	1	1	1	1	1	1	
Q852	4822 130 10097	TRANSISTOR 2SC3331(T)	1	1	1	1	1	1	1	1	1	1	1	1	1	
Q853	4822 130 10097	TRANSISTOR 2SC3331(T)	1	1	1	1	1	1	1	1	1	1	1	1	1	
Q854	4822 130 42959	TRANSISTOR KTA1266(GR)	1	1	1	1	1	1	1	1	1	1	1	1	1	
Q855	4822 130 42292	TRANSISTOR 2SC2120-Y(TPE2)	1	1	1	1	1	1	1	1	1	1	1	1	1	
Q856	9965 000 05643	TRANSISTOR 2SC2785(F)	1	1	1	1	1	1	1	1	1	1	1	1	1	
Q857	9965 000 05643	TRANSISTOR 2SC2785(F)	1	1	1	1	1	1	1	1	1	1	1	1	1	
RESISTORS																
R003	9965 000 09896	CARBON RES. 1/4W J 10K OHM	1	1	1	1	1	1	1	1	1	1	1	1	1	
R004	9965 000 09896	CARBON RES. 1/4W J 10K OHM	1	1	1	1	1	1	1	1	1	1	1	1	1	
R005		CHIP RES.(1608) 1/10W J 47K OHM	1	1	1	1	1	1	1	1	1	1	1	1	1	
R006		CHIP RES.(1608) 1/10W J 47K OHM	1	1	1	1	1	1	1	1	1	1	1	1	1	
R151		METAL OXIDE FILM RES. 1W J 12 OHM	1	1	1	1	1	1	1	1	1	1	1	1	1	
R152		CHIP RES.(1608) 1/10W J 5.6K OHM	1	1	1	1	1	1	1	1	1	1	1	1	1	
R153		CHIP RES.(1608) 1/10W J 4.7K OHM	1	1	1	1	1	1	1	1	1	1	1	1	1	
R154		CHIP RES.(1608) 1/10W J 5.6K OHM	1	1	1	1	1	1	1	1	1	1	1	1	1	
R155		CARBON RES. 1/4W J 47 OHM	1	1	1	1	1	1	1	1	1	1	1	1	1	
R156		CARBON RES. 1/4W J 47 OHM	1	1	1	1	1	1	1	1	1	1	1	1	1	
R201		CARBON RES. 1/4W J 1K OHM	1	1	1	1	1	1	1	1	1	1	1	1	1	
R202		CHIP RES.(1608) 1/10W J 22K OHM	1	1	1	1	1	1	1	1	1	1	1	1	1	
R203		CARBON RES. 1/4W J 1K OHM	1	1	1	1	1	1	1	1	1	1	1	1	1	
R204		CHIP RES.(1608) 1/10W J 22K OHM	1	1	1	1	1	1	1	1	1	1	1	1	1	

ELECTRICAL PARTS LIST			14PV120/07	14PV125/01	14PV125/07	14PV125/39	14PV125/58	14PV225/01	14PV225/07	14PV225/39	14PV225/58	14PV422/01	14PV422/07	14PV422/39	14PV422/58
Pos.	▲ 12 NC	Description													
R205		CARBON RES. 1/4W J 1K OHM	1	1	1	1	1	1	1	1	1	1	1	1	1
R206		CHIP RES.(1608) 1/10W J 390K OHM	1	1	1	1	1	1	1	1	1	1	1	1	1
R207		CHIP RES.(1608) 1/10W J 10K OHM	1	1	1	1	1	1	1	1	1	1	1	1	1
R208		CHIP RES.(1608) 1/10W J 1.5K OHM	1	1	1	1	1	1	1	1	1	1	1	1	1
R209		CHIP RES.(1608) 1/10W J 1.5K OHM	1	1	1	1	1	1	1	1	1	1	1	1	1
R210		CARBON RES. 1/4W G 4.7K OHM	1	1	1	1	1	1	1	1	1	1	1	1	1
R211		CHIP RES.(1608) 1/10W J 2.2K OHM	1	1	1	1	1	1	1	1	1	1	1	1	1
R212		CHIP RES.(1608) 1/10W J 2.7K OHM	1	1	1	1	1	1	1	1	1	1	1	1	1
R213		CHIP RES.(1608) 1/10W J 10K OHM	1	1	1	1	1	1	1	1	1	1	1	1	1
R214		CHIP RES.(1608) 1/10W J 1.5K OHM	1	1	1	1	1	1	1	1	1	1	1	1	1
R215		CHIP RES.(1608) 1/10W J 1.5K OHM	1	1	1	1	1	1	1	1	1	1	1	1	1
R216		CHIP RES.(1608) 1/10W J 2.2K OHM	1	1	1	1	1	1	1	1	1	1	1	1	1
R217		CHIP RES.(1608) 1/10W J 2.7K OHM	1	1	1	1	1	1	1	1	1	1	1	1	1
R218		CHIP RES.(1608) 1/10W J 560 OHM	1	1	1	1	1	1	1	1	1	1	1	1	1
R219		CARBON RES. 1/4W J 1K OHM	1	1	1	1	1	1	1	1	1	1	1	1	1
R220		CHIP RES.(1608) 1/10W J 390K OHM	1	1	1	1	1	1	1	1	1	1	1	1	1
R221		CARBON RES. 1/4W J 270 OHM	1	1	1	1	1	1	1	1	1	1	1	1	1
R222		CARBON RES. 1/4W J 1K OHM	1	1	1	1	1	1	1	1	1	1	1	1	1
R223		CHIP RES.(1608) 1/10W J 680 OHM	1	1	1	1	1	1	1	1	1	1	1	1	1
R224		CHIP RES.(1608) 1/10W J 680 OHM	1	1	1	1	1	1	1	1	1	1	1	1	1
R226		CHIP RES.(1608) 1/10W J 10K OHM	1	1	1		1	1	1		1	1	1		1
R227		CHIP RES.(1608) 1/10W J 47 OHM	1	1	1	1	1	1	1	1	1	1	1	1	1
R228		CHIP RES.(1608) 1/10W J 100K OHM	1	1	1	1	1	1	1	1	1	1	1	1	1
R229		CHIP RES.(1608) 1/10W J 2.2K OHM	1	1	1	1	1	1	1	1	1	1	1	1	1
R230		CHIP RES.(1608) 1/10W J 1.5K OHM	1	1	1	1	1	1	1	1	1	1	1	1	1
R231		CHIP RES.(1608) 1/10W J 330K OHM	1	1	1	1	1	1	1	1	1	1	1	1	1
R232		CHIP RES.(1608) 1/10W J 1K OHM	1	1	1	1	1	1	1	1	1	1	1	1	1
R233		CHIP RES.(1608) 1/10W J 1K OHM	1	1	1	1	1	1	1	1	1	1	1	1	1
R234		CHIP RES.(1608) 1/10W J 560 OHM	1	1	1	1	1	1	1	1	1	1	1	1	1
R235		CHIP RES.(1608) 1/10W J 1K OHM	1	1	1	1	1	1	1	1	1	1	1	1	1
R236		CHIP RES.(1608) 1/10W J 470 OHM	1	1	1	1	1	1	1	1	1	1	1	1	1
R237		CHIP RES.(1608) 1/10W J 1M OHM	1	1	1	1	1	1	1	1	1	1	1	1	1
R238		CHIP RES.(1608) 1/10W J 100 OHM	1	1	1	1	1	1	1	1	1	1	1	1	1
R239		PCB JUMPER D0.6-P5.0	1	1	1	1	1	1	1	1	1	1	1	1	1
R240		PCB JUMPER D0.6-P5.0	1	1	1	1	1	1	1	1	1	1	1	1	1
R241		CHIP RES.(1608) 1/10W J 220 OHM	1	1	1	1	1	1	1	1	1	1	1	1	1
R242		CHIP RES.(1608) 1/10W J 220 OHM	1	1	1	1	1	1	1	1	1	1	1	1	1
R243		CHIP RES.(1608) 1/10W J 39K OHM	1	1	1	1	1	1	1	1	1	1	1	1	1
R244		CHIP RES.(1608) 1/10W J 220K OHM	1	1	1	1	1	1	1	1	1	1	1	1	1
R248		CARBON RES. 1/4W J 1K OHM	1	1	1	1	1	1	1	1	1	1	1	1	1
R249		CHIP RES.(1608) 1/10W J 10K OHM	1	1	1	1	1	1	1	1	1	1	1	1	1
R250		CHIP RES.(1608) 1/10W J 33K OHM	1	1	1	1	1	1	1	1	1	1	1	1	1
R254		CHIP RES.(1608) 1/10W J 100K OHM	1	1	1	1	1	1	1	1	1	1	1	1	1
R255		CHIP RES.(1608) 1/10W J 680 OHM	1	1	1	1	1	1	1	1	1	1	1	1	1
R256		CHIP RES.(1608) 1/10W J 1.8K OHM	1	1	1	1	1	1	1	1	1	1	1	1	1
R257		CARBON RES. 1/4W J 6.8K OHM	1	1	1	1	1	1	1	1	1	1	1	1	1
R258		CARBON RES. 1/4W J 47K OHM	1	1	1	1	1	1	1	1	1	1	1	1	1
R259		PCB JUMPER D0.6-P5.0	1	1	1	1	1	1	1	1	1	1	1	1	1
R260		CARBON RES. 1/4W G 1.5K OHM	1	1	1	1	1	1	1	1	1	1	1	1	1
R261		CARBON RES. 1/4W G 22K OHM	1	1	1	1	1	1	1	1	1	1	1	1	1
R262		CARBON RES. 1/4W G 470 OHM	1	1	1	1	1	1	1	1	1	1	1	1	1
R263		CARBON RES. 1/4W G 10K OHM	1	1	1	1	1	1	1	1	1	1	1	1	1
R264		CARBON RES. 1/4W G 3.6K OHM	1	1	1	1	1	1	1	1	1	1	1	1	1
R265		PCB JUMPER D0.6-P5.0	1	1	1	1	1	1	1	1	1	1	1	1	1
R266		PCB JUMPER D0.6-P5.0	1	1	1	1	1	1	1	1	1	1	1	1	1
R267		CHIP RES.(1608) 1/10W J 10K OHM	1	1	1	1	1	1	1	1	1	1	1	1	1
R268		CHIP RES.(1608) 1/10W J 3.3K OHM	1	1	1	1	1	1	1	1	1	1	1	1	1
R269		CHIP RES.(1608) 1/10W J 3.3K OHM	1	1	1	1	1	1	1	1	1	1	1	1	1
R270		CHIP RES.(1608) 1/10W J 100 OHM	1	1	1	1	1	1	1	1	1	1	1	1	1

ELECTRICAL PARTS LIST			14PV120/07	14PV125/01	14PV125/07	14PV125/39	14PV125/58	14PV225/01	14PV225/07	14PV225/39	14PV225/58	14PV422/01	14PV422/07	14PV422/39	14PV422/58
Pos.	▲ 12 NC	Description													
R271		CHIP RES.(1608) 1/10W J 10K OHM	1	1	1	1	1	1	1	1	1	1	1	1	1
R272		CHIP RES.(1608) 1/10W J 18K OHM	1	1	1	1	1	1	1	1	1	1	1	1	1
R273		CHIP RES.(1608) 1/10W J 18K OHM	1	1	1	1	1	1	1	1	1	1	1	1	1
R274		CHIP RES.(1608) 1/10W J 10K OHM	1	1	1	1	1	1	1	1	1	1	1	1	1
R275		CHIP RES.(1608) 1/10W J 560 OHM	1	1	1	1	1	1	1	1	1	1	1	1	1
R276		CHIP RES.(1608) 1/10W J 1.5K OHM	1	1	1	1	1	1	1	1	1	1	1	1	1
R277		CHIP RES.(1608) 1/10W J 560 OHM	1	1	1	1	1	1	1	1	1	1	1	1	1
R278		CHIP RES.(1608) 1/10W J 1.5K OHM	1	1	1	1	1	1	1	1	1	1	1	1	1
R279		CHIP RES.(1608) 1/10W J 560 OHM	1	1	1	1	1	1	1	1	1	1	1	1	1
R280		CHIP RES.(1608) 1/10W J 1.5K OHM	1	1	1	1	1	1	1	1	1	1	1	1	1
R281		CHIP RES.(1608) 1/10W J 3.3K OHM	1	1	1	1	1	1	1	1	1	1	1	1	1
R282		CARBON RES. 1/4W J 330 OHM	1	1	1	1	1	1	1	1	1	1	1	1	1
R287		CHIP RES.(1608) 1/10W J 470 OHM	1	1	1	1	1	1	1	1	1	1	1	1	1
R288		CHIP RES.(1608) 1/10W 0 OHM	1	1	1	1	1	1	1	1	1	1	1	1	1
R289		CHIP RES.(1608) 1/10W 0 OHM	1	1	1	1	1	1	1	1	1	1	1	1	1
R301		CHIP RES.(1608) 1/10W J 1.2K OHM	1	1	1	1	1	1	1	1	1	1	1	1	1
R302		CHIP RES.(1608) 1/10W J 4.7K OHM	1	1	1	1	1	1	1	1	1	1	1	1	1
R303		CHIP RES.(1608) 1/10W J 100 OHM	1	1	1	1	1	1	1	1	1	1	1	1	1
R304		CHIP RES.(1608) 1/10W J 2.7K OHM	1	1	1	1	1	1	1	1	1	1	1	1	1
R305		CHIP RES.(1608) 1/10W J 1.2K OHM	1	1	1	1	1	1	1	1	1	1	1	1	1
R306		CHIP RES.(1608) 1/10W J 100 OHM	1	1	1	1	1	1	1	1	1	1	1	1	1
R307		CHIP RES.(1608) 1/10W J 1.2K OHM	1	1	1	1	1	1	1	1	1	1	1	1	1
R308		CHIP RES.(1608) 1/10W J 100 OHM	1	1	1	1	1	1	1	1	1	1	1	1	1
R309		CHIP RES.(1608) 1/10W J 1.2K OHM	1	1	1	1	1	1	1	1	1	1	1	1	1
R310		CHIP RES.(1608) 1/10W J 1K OHM	1	1	1	1	1	1	1	1	1	1	1	1	1
R311		CARBON RES. 1/4W J 12 OHM	1	1	1	1	1	1	1	1	1	1	1	1	1
R312		CHIP RES.(1608) 1/10W J 100 OHM	1	1	1	1	1	1	1	1	1	1	1	1	1
R313		CHIP RES.(1608) 1/10W J 220K OHM	1	1	1	1	1	1	1	1	1	1	1	1	1
R314		CHIP RES.(1608) 1/10W J 4.7K OHM	1	1	1	1	1	1	1	1	1	1	1	1	1
R315		CHIP RES.(1608) 1/10W J 150K OHM	1	1	1	1	1	1	1	1	1	1	1	1	1
R316		CARBON RES. 1/4W J 15K OHM	1	1	1	1	1	1	1	1	1	1	1	1	1
R317		CARBON RES. 1/4W J 220K OHM	1	1	1	1	1	1	1	1	1	1	1	1	1
R318		CHIP RES.(1608) 1/10W J 6.8K OHM	1	1	1	1	1	1	1	1	1	1	1	1	1
R320		CHIP RES.(1608) 1/10W J 10K OHM	1	1	1	1	1	1	1	1	1	1	1	1	1
R321		CHIP RES.(1608) 1/10W J 220 OHM	1	1	1	1	1	1	1	1	1	1	1	1	1
R322		CHIP RES.(1608) 1/10W J 3.3K OHM	1	1	1	1	1	1	1	1	1	1	1	1	1
R323		CHIP RES.(1608) 1/10W J 15K OHM	1	1	1	1	1	1	1	1	1	1	1	1	1
R324		CHIP RES.(1608) 1/10W J 4.7K OHM	1	1	1	1	1	1	1	1	1	1	1	1	1
R325		CHIP RES.(1608) 1/10W J 10K OHM	1	1	1	1	1	1	1	1	1	1	1	1	1
R326		CHIP RES.(1608) 1/10W J 6.8K OHM	1	1	1	1	1	1	1	1	1	1	1	1	1
R327		PCB JUMPER D0.6-P5.0	1	1	1	1	1	1	1	1	1	1	1	1	1
R328		CHIP RES.(1608) 1/10W J 47K OHM	1	1	1	1	1	1	1	1	1	1	1	1	1
R332		CHIP RES.(1608) 1/10W J 100 OHM	1	1	1	1	1	1	1	1	1	1	1	1	1
R333		CHIP RES.(1608) 1/10W J 100 OHM	1	1	1	1	1	1	1	1	1	1	1	1	1
R334		CHIP RES.(1608) 1/10W J 100 OHM	1	1	1	1	1	1	1	1	1	1	1	1	1
R335		CARBON RES. 1/4W J 100 OHM	1	1	1	1	1	1	1	1	1	1	1	1	1
R336		CHIP RES.(1608) 1/10W J 10K OHM	1	1	1	1	1	1	1	1	1	1	1	1	1
R339		CHIP RES.(1608) 1/10W 0 OHM	1	1	1	1	1	1	1	1	1	1	1	1	1
R340		CHIP RES.(1608) 1/10W 0 OHM	1	1	1	1	1	1	1	1	1	1	1	1	1
R401		CHIP RES.(1608) 1/10W J 1.2K OHM	1	1	1	1	1	1	1	1	1	1	1	1	1
R402		CHIP RES.(1608) 1/10W J 8.2K OHM	1	1	1	1	1	1	1	1	1	1	1	1	1
R405		CHIP RES.(1608) 1/10W J 10K OHM	1	1	1	1	1	1	1	1	1	1	1	1	1
R406		CHIP RES.(1608) 1/10W J 1.2K OHM	1	1	1	1	1	1	1	1	1	1	1	1	1
R407		CHIP RES.(1608) 1/10W J 390K OHM	1	1	1	1	1	1	1	1	1	1	1	1	1
R408		CHIP RES.(1608) 1/10W J 330 OHM	1	1	1	1	1	1	1	1	1	1	1	1	1
R409		CHIP RES.(1608) 1/10W J 330 OHM	1	1	1	1	1	1	1	1	1	1	1	1	1
R410		CHIP RES.(1608) 1/10W J 220 OHM	1	1	1	1	1	1	1	1	1	1	1	1	1
R411		CHIP RES.(1608) 1/10W J 4.7K OHM	1	1	1	1	1	1	1	1	1	1	1	1	1
R412		CHIP RES.(1608) 1/10W J 4.7K OHM	1	1	1	1	1	1	1	1	1	1	1	1	1

ELECTRICAL PARTS LIST			14PV120/07	14PV125/01	14PV125/07	14PV125/39	14PV125/58	14PV225/01	14PV225/07	14PV225/39	14PV225/58	14PV422/01	14PV422/07	14PV422/39	14PV422/58
Pos.	▲ 12 NC	Description													
R413		CHIP RES.(1608) 1/10W J 2.2K OHM	1	1	1	1	1	1	1	1	1	1	1	1	1
R414		CHIP RES.(1608) 1/10W J 6.8K OHM	1	1	1	1	1	1	1	1	1	1	1	1	1
R415		CHIP RES.(1608) 1/10W J 4.7K OHM	1	1	1	1	1	1	1	1	1	1	1	1	1
R416		CHIP RES.(1608) 1/10W J 1.2K OHM	1	1	1	1	1	1	1	1	1	1	1	1	1
R417		CHIP RES.(1608) 1/10W J 10K OHM	1	1	1	1	1	1	1	1	1	1	1	1	1
R418		CHIP RES.(1608) 1/10W J 56K OHM	1	1	1	1	1	1	1	1	1	1	1	1	1
R420		CHIP RES.(1608) 1/10W J 1.5K OHM	1	1	1	1	1	1	1	1	1	1	1	1	1
R422		CHIP RES.(1608) 1/10W J 150 OHM	1	1	1	1	1	1	1	1	1	1	1	1	1
R423		CHIP RES.(1608) 1/10W J 33 OHM	1	1	1	1	1	1	1	1	1	1	1	1	1
R424		CHIP RES.(1608) 1/10W J 1K OHM	1	1	1	1	1	1	1	1	1	1	1	1	1
R425		CHIP RES.(1608) 1/10W 0 OHM	1	1	1	1	1	1	1	1	1	1	1	1	1
R426		CHIP RES.(1608) 1/10W 0 OHM	1	1	1	1	1	1	1	1	1	1	1	1	1
R471		CHIP RES.(1608) 1/10W J 2.2K OHM				1				1				1	
R683		METAL OXIDE FILM RES. 1W J 2.2 OHM	1	1	1	1	1	1	1	1	1	1	1	1	1
R684		CHIP RES.(1608) 1/10W J 10 OHM	1	1	1	1	1	1	1	1	1	1	1	1	1
R685		CARBON RES. 1/4W J 6.8K OHM	1	1	1	1	1	1	1	1	1	1	1	1	1
R686		CHIP RES.(1608) 1/10W J 10K OHM	1	1	1	1	1	1	1	1	1	1	1	1	1
R690		METAL OXIDE FILM RES. 1W J 22 OHM	1	1	1	1	1	1	1	1	1	1	1	1	1
R691		METAL OXIDE FILM RES. 1W J 5.6 OHM	1	1	1	1	1	1	1	1	1	1	1	1	1
R692		CHIP RES.(1608) 1/10W J 10K OHM	1	1	1	1	1	1	1	1	1	1	1	1	1
R693		CHIP RES.(1608) 1/10W J 22K OHM	1	1	1	1	1	1	1	1	1	1	1	1	1
R694		CHIP RES.(1608) 1/10W J 100 OHM	1	1	1	1	1	1	1	1	1	1	1	1	1
R696		METAL OXIDE FILM RES. 1W J 2.2 OHM	1	1	1	1	1	1	1	1	1	1	1	1	1
R697		CHIP RES.(1608) 1/10W J 10K OHM	1	1	1	1	1	1	1	1	1	1	1	1	1
R698		CHIP RES.(1608) 1/10W J 8.2K OHM	1	1	1	1	1	1	1	1	1	1	1	1	1
R701		CHIP RES.(1608) 1/10W J 75 OHM	1	1	1	1	1	1	1	1	1	1	1	1	1
R702		CHIP RES.(1608) 1/10W J 1.5K OHM	1	1	1	1	1	1	1	1	1	1	1	1	1
R703		CHIP RES.(1608) 1/10W J 1K OHM	1	1	1	1	1	1	1	1	1	1	1	1	1
R704		CHIP RES.(1608) 1/10W J 1.5K OHM	1	1	1	1	1	1	1	1	1	1	1	1	1
R705		CHIP RES.(1608) 1/10W J 2.7K OHM	1	1	1	1	1	1	1	1	1	1	1	1	1
R706		CHIP RES.(1608) 1/10W J 1K OHM	1	1	1	1	1	1	1	1	1	1	1	1	1
R707		CHIP RES.(1608) 1/10W J 1K OHM	1	1	1	1	1	1	1	1	1	1	1	1	1
R708		CHIP RES.(1608) 1/10W J 1.5K OHM	1	1	1	1	1	1	1	1	1	1	1	1	1
R709		CHIP RES.(1608) 1/10W J 75 OHM	1	1	1	1	1	1	1	1	1	1	1	1	1
R710		CHIP RES.(1608) 1/10W J 33K OHM	1	1	1	1	1	1	1	1	1	1	1	1	1
R711		CHIP RES.(1608) 1/10W J 2.2K OHM	1	1	1	1	1	1	1	1	1	1	1	1	1
R712		CHIP RES.(1608) 1/10W J 4.7K OHM	1	1	1	1	1	1	1	1	1	1	1	1	1
R714		CHIP RES.(1608) 1/10W J 75 OHM	1	1	1	1	1	1	1	1	1	1	1	1	1
R723		CHIP RES.(1608) 1/10W J 75 OHM	1	1	1	1	1	1	1	1	1	1	1	1	1
R724		CHIP RES.(1608) 1/10W J 33K OHM	1	1	1	1	1	1	1	1	1	1	1	1	1
R725		CHIP RES.(1608) 1/10W J 75 OHM	1	1	1	1	1	1	1	1	1	1	1	1	1
R726		CHIP RES.(1608) 1/10W J 1K OHM	1	1	1	1	1	1	1	1	1	1	1	1	1
R727		CHIP RES.(1608) 1/10W J 22K OHM	1	1	1	1	1	1	1	1	1	1	1	1	1
R728		CHIP RES.(1608) 1/10W J 22K OHM	1	1	1	1	1	1	1	1	1	1	1	1	1
R729		CHIP RES.(1608) 1/10W J 47K OHM	1	1	1	1	1	1	1	1	1	1	1	1	1
R730		CHIP RES.(1608) 1/10W J 10K OHM	1	1	1	1	1	1	1	1	1	1	1	1	1
R731		CHIP RES.(1608) 1/10W J 100 OHM	1	1	1	1	1	1	1	1	1	1	1	1	1
R732		CHIP RES.(1608) 1/10W J 75 OHM	1	1	1	1	1	1	1	1	1	1	1	1	1
R733		CARBON RES. 1/4W J 390 OHM	1	1	1	1	1	1	1	1	1	1	1	1	1
R734		CHIP RES.(1608) 1/10W J 10K OHM	1	1	1	1	1	1	1	1	1	1	1	1	1
R735		CHIP RES.(1608) 1/10W J 3.3K OHM	1	1	1	1	1	1	1	1	1	1	1	1	1
R736		CARBON RES. 1/4W J 750 OHM	1	1	1	1	1	1	1	1	1	1	1	1	1
R737		CHIP RES.(1608) 1/10W J 75 OHM	1	1	1	1	1	1	1	1	1	1	1	1	1
R738		CHIP RES.(1608) 1/10W J 10K OHM	1	1	1	1	1	1	1	1	1	1	1	1	1
R739		CHIP RES.(1608) 1/10W J 10K OHM	1	1	1	1	1	1	1	1	1	1	1	1	1
R740		CHIP RES.(1608) 1/10W J 33K OHM	1	1	1	1	1	1	1	1	1	1	1	1	1
R741		CHIP RES.(1608) 1/10W J 10K OHM	1	1	1	1	1	1	1	1	1	1	1	1	1
R742		CHIP RES.(1608) 1/10W J 47K OHM	1	1	1	1	1	1	1	1	1	1	1	1	1
R743		CHIP RES.(1608) 1/10W J 6.2K OHM	1	1	1	1	1	1	1	1	1	1	1	1	1

ELECTRICAL PARTS LIST			14PV120/07	14PV125/01	14PV125/07	14PV125/39	14PV125/58	14PV225/01	14PV225/07	14PV225/39	14PV225/58	14PV422/01	14PV422/07	14PV422/39	14PV422/58	
Pos.	▲ 12 NC	Description														
R744		CHIP RES.(1608) 1/10W J 47K OHM	1	1	1	1	1	1	1	1	1	1	1	1	1	
R745		CHIP RES.(1608) 1/10W J 6.2K OHM	1	1	1	1	1	1	1	1	1	1	1	1	1	
R746		CHIP RES.(1608) 1/10W J 47K OHM	1	1	1	1	1	1	1	1	1	1	1	1	1	
R747		CHIP RES.(1608) 1/10W J 6.2K OHM	1	1	1	1	1	1	1	1	1	1	1	1	1	
R748		CHIP RES.(1608) 1/10W J 1.8K OHM	1	1	1	1	1	1	1	1	1	1	1	1	1	
R749		CHIP RES.(1608) 1/10W J 10K OHM	1	1	1	1	1	1	1	1	1	1	1	1	1	
R750		CHIP RES.(1608) 1/10W J 2.7K OHM	1	1	1	1	1	1	1	1	1	1	1	1	1	
R751		CHIP RES.(1608) 1/10W J 1.8K OHM	1	1	1	1	1	1	1	1	1	1	1	1	1	
R752		CHIP RES.(1608) 1/10W J 1K OHM	1	1	1	1	1	1	1	1	1	1	1	1	1	
R753		CARBON RES. 1/4W J 1.8K OHM	1	1	1	1	1	1	1	1	1	1	1	1	1	
R754		CHIP RES.(1608) 1/10W J 22K OHM	1	1	1	1	1	1	1	1	1	1	1	1	1	
R755		CHIP RES.(1608) 1/10W J 470 OHM	1	1	1	1	1	1	1	1	1	1	1	1	1	
R756		CHIP RES.(1608) 1/10W J 1K OHM	1	1	1	1	1	1	1	1	1	1	1	1	1	
R757		CHIP RES.(1608) 1/10W J 470K OHM	1	1	1	1	1	1	1	1	1	1	1	1	1	
R851		CHIP RES.(1608) 1/10W J 5.6K OHM	1	1	1	1	1	1	1	1	1	1	1	1	1	
R852		CHIP RES.(1608) 1/10W J 22K OHM	1	1	1	1	1	1	1	1	1	1	1	1	1	
R853		CHIP RES.(1608) 1/10W J 2.2K OHM	1	1	1	1	1	1	1	1	1	1	1	1	1	
R854		CHIP RES.(1608) 1/10W J 2.2K OHM	1	1	1	1	1	1	1	1	1	1	1	1	1	
R856		CARBON RES. 1/4W J 47K OHM	1	1	1	1	1	1	1	1	1	1	1	1	1	
R857		CARBON RES. 1/4W J 100 OHM	1	1	1	1	1	1	1	1	1	1	1	1	1	
R858		CARBON RES. 1/4W J 820 OHM	1	1	1	1	1	1	1	1	1	1	1	1	1	
R859		CHIP RES.(1608) 1/10W J 680 OHM	1	1	1	1	1	1	1	1	1	1	1	1	1	
R860		CHIP RES.(1608) 1/10W J 22K OHM	1	1	1	1	1	1	1	1	1	1	1	1	1	
R861		CHIP RES.(1608) 1/10W J 330K OHM	1	1	1	1	1	1	1	1	1	1	1	1	1	
R862		CHIP RES.(1608) 1/10W J 12K OHM	1	1	1	1	1	1	1	1	1	1	1	1	1	
R863		CHIP RES.(1608) 1/10W J 120 OHM	1	1	1	1	1	1	1	1	1	1	1	1	1	
R864		CHIP RES.(1608) 1/10W J 560 OHM	1	1	1	1	1	1	1	1	1	1	1	1	1	
R865		CHIP RES.(1608) 1/10W J 1.8K OHM	1	1	1	1	1	1	1	1	1	1	1	1	1	
R866		CHIP RES.(1608) 1/10W J 12K OHM	1	1	1	1	1	1	1	1	1	1	1	1	1	
R867		CHIP RES.(1608) 1/10W J 100 OHM	1	1	1	1	1	1	1	1	1	1	1	1	1	
R869		CHIP RES.(1608) 1/10W J 3.3K OHM	1	1	1	1	1	1	1	1	1	1	1	1	1	
R870		CHIP RES.(1608) 1/10W J 56K OHM	1	1	1	1	1	1	1	1	1	1	1	1	1	
R871		CHIP RES.(1608) 1/10W J 1M OHM	1	1	1	1	1	1	1	1	1	1	1	1	1	
R874		CHIP RES.(1608) 1/10W J 4.7K OHM	1	1	1	1	1	1	1	1	1	1	1	1	1	
R876		CHIP RES.(1608) 1/10W J 4.7K OHM	1	1	1	1	1	1	1	1	1	1	1	1	1	
R877		CHIP RES.(1608) 1/10W J 15K OHM	1	1	1	1	1	1	1	1	1	1	1	1	1	
R878		CHIP RES.(1608) 1/10W J 12K OHM	1	1	1	1	1	1	1	1	1	1	1	1	1	
R879		CHIP RES.(1608) 1/10W J 5.6K OHM	1	1	1	1	1	1	1	1	1	1	1	1	1	
RS201	9965 000 10857	REMOTE RECEIVER PIC-37042LU	1	1	1	1	1	1	1	1	1	1	1	1	1	
SWITCHES																
SW201	9965 000 14390	TACT SWITCH SKQNAED010	1	1	1	1	1	1	1	1	1	1	1	1	1	
SW202	9965 000 14390	TACT SWITCH SKQNAED010	1	1	1	1	1	1	1	1	1	1	1	1	1	
SW203	9965 000 14390	TACT SWITCH SKQNAED010	1	1	1	1	1	1	1	1	1	1	1	1	1	
SW204	9965 000 14390	TACT SWITCH SKQNAED010	1	1	1	1	1	1	1	1	1	1	1	1	1	
SW205	9965 000 14390	TACT SWITCH SKQNAED010	1	1	1	1	1	1	1	1	1	1	1	1	1	
SW206	9965 000 14390	TACT SWITCH SKQNAED010	1	1	1	1	1	1	1	1	1	1	1	1	1	
SW207	9965 000 14390	TACT SWITCH SKQNAED010	1	1	1	1	1	1	1	1	1	1	1	1	1	
SW208	9965 000 14390	TACT SWITCH SKQNAED010	1	1	1	1	1	1	1	1	1	1	1	1	1	
SW209	9965 000 14390	TACT SWITCH SKQNAED010	1	1	1	1	1	1	1	1	1	1	1	1	1	
SW210	9965 000 14390	TACT SWITCH SKQNAED010	1	1	1	1	1	1	1	1	1	1	1	1	1	
SW211	9965 000 12192	LEAF SWITCH MXS00052MPP0	1	1	1	1	1	1	1	1	1	1	1	1	1	
SW212	9965 000 16626	ROTARY MODE SWITCH SSS-50MD	1	1	1	1	1	1	1	1	1	1	1	1	1	
MISCELLANEUOS																
TB3	9965 000 18113	HEAD SHIELD S T6400RA	1	1	1	1	1	1	1	1	1	1	1	1	1	
TB7	9965 000 18114	LED HOLDER T6400RA	1	1	1	1	1	1	1	1	1	1	1	1	1	
TB21	9965 000 08566	BUSH, LED(F) H3700UD	1	1	1	1	1	1	1	1	1	1	1	1	1	
TP001		PCB JUMPER D0.6-P12.5	1	1	1	1	1	1	1	1	1	1	1	1	1	
TP002		PCB JUMPER D0.6-P12.5	1	1	1	1	1	1	1	1	1	1	1	1	1	
TP003		PCB JUMPER D0.6-P12.5	1	1	1	1	1	1	1	1	1	1	1	1	1	

ELECTRICAL PARTS LIST			14PV120/07	14PV125/01	14PV125/07	14PV125/39	14PV125/58	14PV225/01	14PV225/07	14PV225/39	14PV225/58	14PV422/01	14PV422/07	14PV422/39	14PV422/58
Pos.	▲ 12 NC	Description													
TP006		PCB JUMPER D0.6-P10.0	1	1	1	1	1	1	1	1	1	1	1	1	1
TP007		PCB JUMPER D0.6-P10.0	1	1	1	1	1	1	1	1	1	1	1	1	1
TP008		PCB JUMPER D0.6-P12.5	1	1	1	1	1	1	1	1	1	1	1	1	1
TP009		PCB JUMPER D0.6-P12.5	1	1	1	1	1	1	1	1	1	1	1	1	1
TP010		PCB JUMPER D0.6-P22.5	1	1	1	1	1	1	1	1	1	1	1	1	1
X201	9965 000 09200	X'TAL 32.768KHZ(20PPM)	1	1	1	1	1	1	1	1	1	1	1	1	1
X202	9965 000 12194	X'TAL 12.000MHZ	1	1	1	1	1	1	1	1	1	1	1	1	1
X301	9965 000 13869	X'TAL 4.433619MHZ	1	1	1	1	1	1	1	1	1	1	1	1	1
X401	9965 000 05629	X'TAL 4.433619MHZ	1	1	1	1	1	1	1	1	1	1	1	1	1
JUNCTION A CBA															
CN301	9965 000 13836	LEAD WIRE 4P/300	1	1	1	1	1	1	1	1	1	1	1	1	1
JUNCTION B CBA															
CN302	9965 000 18115	LEAD WIRE 8P/190	1	1	1	1	1	1	1	1	1	1	1	1	1
JUNCTION C CBA															
CN603	9965 000 18116	LEAD WIRE 13P/190	1	1	1	1	1	1	1	1	1	1	1	1	1
SENSOR CBA															
Q201	9965 000 18096	PHOTO TRANSISTOR MID-32A22	1	1	1	1	1	1	1	1	1	1	1	1	1
Q202	9965 000 18096	PHOTO TRANSISTOR MID-32A22	1	1	1	1	1	1	1	1	1	1	1	1	1
POWER CBA															
Consists of the following															
H.V./POWER SUPPLY CBA			1	1	1	1	1	1	1	1	1	1	1	1	1
CRT CBA			1	1	1	1	1	1	1	1	1	1	1	1	1
JUNCTION D CBA			1	1	1	1	1	1	1	1	1	1	1	1	1
JUNCTION E CBA			1	1	1	1	1	1	1	1	1	1	1	1	1
H.V./POWER SUPPLY CBA			1	1	1	1	1	1	1	1	1	1	1	1	1
COILS															
BC551	9965 000 13874	BEAD INDUCTORS FBA04HA600VB-00	1	1	1	1	1	1	1	1	1	1	1	1	1
BC602	9965 000 13875	BEAD INDUCTORS FBR07HA121TB-00	1	1	1	1	1	1	1	1	1	1	1	1	1
BC604	9965 000 13875	BEAD INDUCTORS FBR07HA121TB-00	1	1	1	1	1	1	1	1	1	1	1	1	1
BC605	9965 000 13875	BEAD INDUCTORS FBR07HA121TB-00	1	1	1	1	1	1	1	1	1	1	1	1	1
CAPACITORS															
C551		ELECTROLYTIC CAP. 2.2UF/50V M LL	1	1	1	1	1	1	1	1	1	1	1	1	1
C552		ELECTROLYTIC CAP. 1000UF/25V M	1	1	1	1	1	1	1	1	1	1	1	1	1
C553		CERAMIC CAP.(AX) B K 0.01UF/50V	1	1	1	1	1	1	1	1	1	1	1	1	1
C554		ELECTROLYTIC CAP. 470UF/35V M	1	1	1	1	1	1	1	1	1	1	1	1	1
C555		ELECTROLYTIC CAP. 47UF/25V M	1	1	1	1	1	1	1	1	1	1	1	1	1
C556		ELECTROLYTIC CAP. 2.2UF/50V M	1	1	1	1	1	1	1	1	1	1	1	1	1
C558		FILM CAP.(P) 0.047UF/50V J	1	1	1	1	1	1	1	1	1	1	1	1	1
C559		CERAMIC CAP. R K 680PF/2KV(HR)	1	1	1	1	1	1	1	1	1	1	1	1	1
C560		P.P. CAP 0.0082UF/1.6K J	1	1	1	1	1	1	1	1	1	1	1	1	1
C561		FILM CAP.(P) 0.01UF/50V J	1	1	1	1	1	1	1	1	1	1	1	1	1
C562		ELECTROLYTIC CAP. 47UF/25V M	1	1	1	1	1	1	1	1	1	1	1	1	1
C565		ELECTROLYTIC CAP. 47UF/160V M W/F	1	1	1	1	1	1	1	1	1	1	1	1	1
C567		ELECTROLYTIC CAP. 1UF/160V M	1	1	1	1	1	1	1	1	1	1	1	1	1
C569		ELECTROLYTIC CAP. 4.7UF/250V M	1	1	1	1	1	1	1	1	1	1	1	1	1
C570		ELECTROLYTIC CAP. 1UF/50V M	1	1	1	1	1	1	1	1	1	1	1	1	1
C572		ELECTROLYTIC CAP. 22UF/50V M	1	1	1	1	1	1	1	1	1	1	1	1	1
C575		P.P. CAP 0.18UF/200V J	1	1	1	1	1	1	1	1	1	1	1	1	1
C576		P.P. CAP 0.15UF/200V J	1	1	1	1	1	1	1	1	1	1	1	1	1
C577		ELECTROLYTIC CAP. 100UF/35V M	1	1	1	1	1	1	1	1	1	1	1	1	1
C602	▲ 2020 554 90173	SAFETY CAP. 2200PF/250V KX	1	1	1	1	1	1	1	1	1	1	1	1	1
C604	▲ 9965 000 14280	METALLIZED FILM CAP. 0.1UF/250V	1	1	1	1	1	1	1	1	1	1	1	1	1
C605	▲ 9965 000 14280	METALLIZED FILM CAP. 0.1UF/250V	1	1	1	1	1	1	1	1	1	1	1	1	1
C607		CERAMIC CAP. 0.01UF/AC250V	1	1	1	1	1	1	1	1	1	1	1	1	1
C608		CERAMIC CAP. 0.01UF/AC250V	1	1	1	1	1	1	1	1	1	1	1	1	1

ELECTRICAL PARTS LIST			14PV120/07	14PV125/01	14PV125/07	14PV125/39	14PV125/58	14PV225/01	14PV225/07	14PV225/39	14PV225/58	14PV422/01	14PV422/07	14PV422/39	14PV422/58
Pos.	▲ 12 NC	Description													
C609		CERAMIC CAP. 0.01UF/AC250V	1	1	1	1	1	1	1	1	1	1	1	1	1
C610		CERAMIC CAP. 0.01UF/AC250V	1	1	1	1	1	1	1	1	1	1	1	1	1
C611		ELECTROLYTIC CAP. 100UF/400V M	1	1	1	1	1	1	1	1	1	1	1	1	1
C613		FILM CAP.(P) 0.039UF/50V J	1	1	1	1	1	1	1	1	1	1	1	1	1
C614		FILM CAP.(P) 0.0012UF/50V J	1	1	1	1	1	1	1	1	1	1	1	1	1
C615		FILM CAP.(P) 0.068UF/50V J	1	1	1	1	1	1	1	1	1	1	1	1	1
C616		CERAMIC CAP. R K 220PF/2KV(HR)	1	1	1	1	1	1	1	1	1	1	1	1	1
C617		ELECTROLYTIC CAP. 470UF/25V M	1	1	1	1	1	1	1	1	1	1	1	1	1
C618		ELECTROLYTIC CAP. 1UF/50V M	1	1	1	1	1	1	1	1	1	1	1	1	1
C619		ELECTROLYTIC CAP. 1000UF/16V M	1	1	1	1	1	1	1	1	1	1	1	1	1
C621		ELECTROLYTIC CAP. 470UF/16V M	1	1	1	1	1	1	1	1	1	1	1	1	1
C622		ELECTROLYTIC CAP. 1000UF/16V M	1	1	1	1	1	1	1	1	1	1	1	1	1
C624		CERAMIC CAP.(AX) SL J 68PF/50V	1	1	1	1	1	1	1	1	1	1	1	1	1
C625		ELECTROLYTIC CAP. 470UF/35V M	1	1	1	1	1	1	1	1	1	1	1	1	1
C626		CERAMIC CAP. R K 680PF/2KV(HR)	1	1	1	1	1	1	1	1	1	1	1	1	1
C627		ELECTROLYTIC CAP. 100UF/160V M	1	1	1	1	1	1	1	1	1	1	1	1	1
C629		CERAMIC CAP.(AX) B K 0.01UF/50V	1	1	1	1	1	1	1	1	1	1	1	1	1
C630		ELECTROLYTIC CAP. 1000UF/6.3V M	1	1	1	1	1	1	1	1	1	1	1	1	1
C631		ELECTROLYTIC CAP. 100UF/10V M	1	1	1	1	1	1	1	1	1	1	1	1	1
C632		ELECTROLYTIC CAP. 100UF/16V M	1	1	1	1	1	1	1	1	1	1	1	1	1
C633		ELECTROLYTIC CAP. 47UF/25V M	1	1	1	1	1	1	1	1	1	1	1	1	1
C634		ELECTROLYTIC CAP. 4.7UF/50V M	1	1	1	1	1	1	1	1	1	1	1	1	1
C635		ELECTROLYTIC CAP. 22UF/50V M	1	1	1	1	1	1	1	1	1	1	1	1	1
C636		ELECTROLYTIC CAP. 100UF/10V M	1	1	1	1	1	1	1	1	1	1	1	1	1
CONNECTORS															
CN551	9965 000 13876	CONNECTOR BASE, 5P TV-50P-05-V3	1	1	1	1	1	1	1	1	1	1	1	1	1
CN552	9965 000 13842	CONNECTOR BASE, 8P TUC-P08P-B1	1	1	1	1	1	1	1	1	1	1	1	1	1
CN601	9965 000 13877	CONNECTOR BASE, 2P TV-50P-02-V3	1	1	1	1	1	1	1	1	1	1	1	1	1
CN602	9965 000 18117	CONNECTOR BASE 13P TUC-P13P-B1	1	1	1	1	1	1	1	1	1	1	1	1	1
DIODES															
D551	9965 000 13847	DIODE 1N5397-B	1	1	1	1	1	1	1	1	1	1	1	1	1
D553	9965 000 13882	ZENER DIODE MTZJT-7718B	1	1	1	1	1	1	1	1	1	1	1	1	1
D554	4822 130 32778	SWITCHING DIODE 1SS133(T-77)	1	1	1	1	1	1	1	1	1	1	1	1	1
D555	9965 000 13879	DIODE FR154	1	1	1	1	1	1	1	1	1	1	1	1	1
D556	4822 130 32778	SWITCHING DIODE 1SS133(T-77)	1	1	1	1	1	1	1	1	1	1	1	1	1
D557	9965 000 13880	DIODE FR104-B	1	1	1	1	1	1	1	1	1	1	1	1	1
D557	9965 000 18118	RECTIFIER DIODE ERA22-02	1	1	1	1	1	1	1	1	1	1	1	1	1
D558	9965 000 13880	DIODE FR104-B	1	1	1	1	1	1	1	1	1	1	1	1	1
D560	9965 000 13881	ZENER DIODE MTZJT-7736B	1	1	1	1	1	1	1	1	1	1	1	1	1
D561		PCB JUMPER D0.6-P5.0	1	1	1	1	1	1	1	1	1	1	1	1	1
D562	4822 130 32778	SWITCHING DIODE 1SS133(T-77)	1	1	1	1	1	1	1	1	1	1	1	1	1
D563	9965 000 12904	ZENER DIODE DZ-5.1BSBT265	1	1	1	1	1	1	1	1	1	1	1	1	1
D564	9965 000 18119	ZENER DIODE DZ-3.3BSBT265	1	1	1	1	1	1	1	1	1	1	1	1	1
D601	9965 000 13883	DIODE 1N5399-B/P	1	1	1	1	1	1	1	1	1	1	1	1	1
D602	9965 000 13883	DIODE 1N5399-B/P	1	1	1	1	1	1	1	1	1	1	1	1	1
D603	9965 000 13883	DIODE 1N5399-B/P	1	1	1	1	1	1	1	1	1	1	1	1	1
D604	9965 000 13883	DIODE 1N5399-B/P	1	1	1	1	1	1	1	1	1	1	1	1	1
D605	4822 130 32778	SWITCHING DIODE 1SS133(T-77)	1	1	1	1	1	1	1	1	1	1	1	1	1
D609	9965 000 05249	ZENER DIODE MTZJT-775.6B	1	1	1	1	1	1	1	1	1	1	1	1	1
D610	9965 000 13884	ZENER DIODE MTZJT-7720C	1	1	1	1	1	1	1	1	1	1	1	1	1
D612	4822 130 32778	SWITCHING DIODE 1SS133(T-77)	1	1	1	1	1	1	1	1	1	1	1	1	1
D613	4822 130 83883	RECTIFIER DIODE FR202	1	1	1	1	1	1	1	1	1	1	1	1	1
D614	4822 130 32778	SWITCHING DIODE 1SS133(T-77)	1	1	1	1	1	1	1	1	1	1	1	1	1
D615	9965 000 13880	DIODE FR104-B	1	1	1	1	1	1	1	1	1	1	1	1	1
D616	9965 000 13882	ZENER DIODE MTZJT-7718B	1	1	1	1	1	1	1	1	1	1	1	1	1
D617	4822 130 83194	SCHOTTKY BARRIER DIODE 11EQS04	1	1	1	1	1	1	1	1	1	1	1	1	1
D618	4822 130 83194	SCHOTTKY BARRIER DIODE 11EQS04	1	1	1	1	1	1	1	1	1	1	1	1	1
D619	4822 130 80601	SCHOTTKY BARRIER DIODE ERB81-004	1	1	1	1	1	1	1	1	1	1	1	1	1
D620	9965 000 13880	DIODE FR104-B	1	1	1	1	1	1	1	1	1	1	1	1	1

ELECTRICAL PARTS LIST			14PV120/07	14PV125/01	14PV125/07	14PV125/39	14PV125/58	14PV225/01	14PV225/07	14PV225/39	14PV225/58	14PV422/01	14PV422/07	14PV422/39	14PV422/58
Pos.	▲ 12 NC	Description													
D621	9965 000 13886	DIODE 1ZC33	1	1	1	1	1	1	1	1	1	1	1	1	1
D622	4822 130 32778	SWITCHING DIODE 1SS133(T-77)	1	1	1	1	1	1	1	1	1	1	1	1	1
D623	4822 130 32778	SWITCHING DIODE 1SS133(T-77)	1	1	1	1	1	1	1	1	1	1	1	1	1
D624	4822 130 32778	SWITCHING DIODE 1SS133(T-77)	1	1	1	1	1	1	1	1	1	1	1	1	1
D625	4822 130 11629	ZENER DIODE MTZJT-776.8B	1	1	1	1	1	1	1	1	1	1	1	1	1
D626	9965 000 13885	FAST RECOVERY DIODE CA201-4	1	1	1	1	1	1	1	1	1	1	1	1	1
D627	4822 130 32778	SWITCHING DIODE 1SS133(T-77)	1	1	1	1	1	1	1	1	1	1	1	1	1
D629	4822 130 81729	ZENER DIODE MTZJT-7733C	1	1	1	1	1	1	1	1	1	1	1	1	1
D630	4822 130 32778	SWITCHING DIODE 1SS133(T-77)	1	1	1	1	1	1	1	1	1	1	1	1	1
D631	9965 000 13888	ZENER DIODE MTZJT-776.8A	1	1	1	1	1	1	1	1	1	1	1	1	1
D632	9965 000 09896	CARBON RES. 1/4W J 10K OHM	1	1	1	1	1	1	1	1	1	1	1	1	1
D633	9965 000 13889	ZENER DIODE MTZJT-7724B	1	1	1	1	1	1	1	1	1	1	1	1	1
D634		CARBON RES. 1/4W J 100 OHM	1	1	1	1	1	1	1	1	1	1	1	1	1
D635	9965 000 11153	ZENER DIODE MTZJT-778.2B	1	1	1	1	1	1	1	1	1	1	1	1	1
D636	4822 130 32778	SWITCHING DIODE 1SS133(T-77)	1	1	1	1	1	1	1	1	1	1	1	1	1
D637	4822 130 32778	SWITCHING DIODE 1SS133(T-77)	1	1	1	1	1	1	1	1	1	1	1	1	1
D638	4822 130 32778	SWITCHING DIODE 1SS133(T-77)	1	1	1	1	1	1	1	1	1	1	1	1	1
D640	4822 130 11629	ZENER DIODE MTZJT-776.8B	1	1	1	1	1	1	1	1	1	1	1	1	1
F601	▲ 9965 000 13890	FUSE 4A/250V 215004	1	1	1	1	1	1	1	1	1	1	1	1	1
FH601	4822 25610461	FUSE HOLDER MSF-015	1	1	1	1	1	1	1	1	1	1	1	1	1
FH602	4822 25610461	FUSE HOLDER MSF-015	1	1	1	1	1	1	1	1	1	1	1	1	1
IC's															
IC551	9965 000 18120	VERTICAL OUTPUT IC LA78040A	1	1	1	1	1	1	1	1	1	1	1	1	1
IC601	▲ 9965 000 13892	PHOTO COUPLER LTV817MBF	1	1	1	1	1	1	1	1	1	1	1	1	1
COILS															
L552		PCB JUMPER D0.6-P7.5	1	1	1	1	1	1	1	1	1	1	1	1	1
L553	9965 000 18121	CHOKO COIL 22UH-K	1	1	1	1	1	1	1	1	1	1	1	1	1
L554	9965 000 05627	CHOKO COIL 47UH-K	1	1	1	1	1	1	1	1	1	1	1	1	1
L601	9965 000 13894	LINE FILTER ELF15N007A	1	1	1	1	1	1	1	1	1	1	1	1	1
L602	9965 000 13894	LINE FILTER ELF15N007A	1	1	1	1	1	1	1	1	1	1	1	1	1
L603	9965 000 05627	CHOKO COIL 47UH-K	1	1	1	1	1	1	1	1	1	1	1	1	1
MISCELLANEOUS															
PB1	9965 000 18122	POWER PCB HOLDER T6400RA	1	1	1	1	1	1	1	1	1	1	1	1	1
PB4		13V POW HEAT SINK PAL PHKT6400RA	1	1	1	1	1	1	1	1	1	1	1	1	1
PB5	9965 000 18123	13V P H/S PAL PHM ASSEMBLY T6400RA	1	1	1	1	1	1	1	1	1	1	1	1	1
PL1	9965 000 08646	SCREW, P-TIGHT 3X12 WASHER HEAD+	1	1	1	1	1	1	1	1	1	1	1	1	1
PL2	9965 000 12171	SCREW, B-TIGHT M3X8 BIND HEAD+	1	1	1	1	1	1	1	1	1	1	1	1	1
PL2		SCREW, B-TIGHT M3X8 BIND HEAD+	1	1	1	1	1	1	1	1	1	1	1	1	1
PS602	9965 000 13896	THERMISTOR ZPB31BL9R0A	1	1	1	1	1	1	1	1	1	1	1	1	1
TRANSISTORS															
Q551	9965 000 13897	TRANSISTOR TT2084LS-YB11	1	1	1	1	1	1	1	1	1	1	1	1	1
Q553	9965 000 13899	TRANSISTOR 2SC1627Y-TPE2	1	1	1	1	1	1	1	1	1	1	1	1	1
Q554	9965 000 05643	TRANSISTOR 2SC2785(F)	1	1	1	1	1	1	1	1	1	1	1	1	1
Q602	9965 000 13901	MOS FET 2SK2647	1	1	1	1	1	1	1	1	1	1	1	1	1
Q603	4822 130 42292	TRANSISTOR 2SC2120-Y(TPE2)	1	1	1	1	1	1	1	1	1	1	1	1	1
Q604	9965 000 05643	TRANSISTOR 2SC2785(F)	1	1	1	1	1	1	1	1	1	1	1	1	1
Q605	4822 130 63665	TRANSISTOR 2SA950(O)	1	1	1	1	1	1	1	1	1	1	1	1	1
Q606	4822 130 42292	TRANSISTOR 2SC2120-Y(TPE2)	1	1	1	1	1	1	1	1	1	1	1	1	1
Q607	4822 130 42292	TRANSISTOR 2SC2120-Y(TPE2)	1	1	1	1	1	1	1	1	1	1	1	1	1
Q608	9965 000 05643	TRANSISTOR 2SC2785(F)	1	1	1	1	1	1	1	1	1	1	1	1	1
RESISTORS															
R551		CARBON RES. 1/4W J 8.2K OHM	1	1	1	1	1	1	1	1	1	1	1	1	1
R552		CARBON RES. 1/4W J 3.3K OHM	1	1	1	1	1	1	1	1	1	1	1	1	1
R553		CARBON RES. 1/4W J 22K OHM	1	1	1	1	1	1	1	1	1	1	1	1	1
R554		CARBON RES. 1/4W J 1K OHM	1	1	1	1	1	1	1	1	1	1	1	1	1
R555		CARBON RES. 1/4W J 5.6 OHM	1	1	1	1	1	1	1	1	1	1	1	1	1
R556		CARBON RES. 1/4W J 5.6 OHM	1	1	1	1	1	1	1	1	1	1	1	1	1
R557		CARBON RES. 1/4W J 10K OHM	1	1	1	1	1	1	1	1	1	1	1	1	1

ELECTRICAL PARTS LIST			14PV120/07	14PV125/01	14PV125/07	14PV125/39	14PV125/58	14PV225/01	14PV225/07	14PV225/39	14PV225/58	14PV422/01	14PV422/07	14PV422/39	14PV422/58
Pos.	▲ 12 NC	Description													
R558		CARBON RES. 1/4W J 4.7 OHM	1	1	1	1	1	1	1	1	1	1	1	1	1
R559		CARBON RES. 1/4W J 4.7 OHM	1	1	1	1	1	1	1	1	1	1	1	1	1
R560		CARBON RES. 1/4W J 4.7 OHM	1	1	1	1	1	1	1	1	1	1	1	1	1
R561		CARBON RES. 1/4W J 4.7 OHM	1	1	1	1	1	1	1	1	1	1	1	1	1
R564		CARBON RES. 1/4W J 8.2K OHM	1	1	1	1	1	1	1	1	1	1	1	1	1
R565		PCB JUMPER D0.6-P5.0	1	1	1	1	1	1	1	1	1	1	1	1	1
R566		CARBON RES. 1/4W J 470 OHM	1	1	1	1	1	1	1	1	1	1	1	1	1
R568		CARBON RES. 1/4W J 1.5K OHM	1	1	1	1	1	1	1	1	1	1	1	1	1
R569		CARBON RES. 1/4W J 270 OHM	1	1	1	1	1	1	1	1	1	1	1	1	1
R570		PCB JUMPER D0.6-P5.0	1	1	1	1	1	1	1	1	1	1	1	1	1
R572		CARBON RES. 1/4W J 390 OHM	1	1	1	1	1	1	1	1	1	1	1	1	1
R573		METAL OXIDE FILM RES. 2W J 150 OHM	1	1	1	1	1	1	1	1	1	1	1	1	1
R574		CARBON RES. 1/4W J 1K OHM	1	1	1	1	1	1	1	1	1	1	1	1	1
R577		METAL OXIDE FILM RES. 2W J 1.5K OHM	1	1	1	1	1	1	1	1	1	1	1	1	1
R578		METAL OXIDE FILM RES. 2W J 1.5K OHM	1	1	1	1	1	1	1	1	1	1	1	1	1
R579		CARBON RES. 1/4W J 100K OHM	1	1	1	1	1	1	1	1	1	1	1	1	1
R580		METAL OXIDE FILM RES. 2W J 1.5K OHM	1	1	1	1	1	1	1	1	1	1	1	1	1
R581		CARBON RES. 1/4W J 100K OHM	1	1	1	1	1	1	1	1	1	1	1	1	1
R583		PCB JUMPER D0.6-P5.0	1	1	1	1	1	1	1	1	1	1	1	1	1
R584		CARBON RES. 1/4W J 1K OHM	1	1	1	1	1	1	1	1	1	1	1	1	1
R585		CARBON RES. 1/4W J 180K OHM	1	1	1	1	1	1	1	1	1	1	1	1	1
R586		CARBON RES. 1/4W J 56K OHM	1	1	1	1	1	1	1	1	1	1	1	1	1
R587		CARBON RES. 1/4W J 56K OHM	1	1	1	1	1	1	1	1	1	1	1	1	1
R588		CARBON RES. 1/4W J 22K OHM	1	1	1	1	1	1	1	1	1	1	1	1	1
R589		CARBON RES. 1/4W J 10K OHM	1	1	1	1	1	1	1	1	1	1	1	1	1
R590		METAL OXIDE FILM RES. 2W J 2.2 OHM	1	1	1	1	1	1	1	1	1	1	1	1	1
R591		CARBON RES. 1/4W J 22K OHM	1	1	1	1	1	1	1	1	1	1	1	1	1
R592		CARBON RES. 1/4W J 10K OHM	1	1	1	1	1	1	1	1	1	1	1	1	1
R593		CARBON RES. 1/4W J 8.2K OHM	1	1	1	1	1	1	1	1	1	1	1	1	1
R594		CARBON RES. 1/4W J 2.2K OHM	1	1	1	1	1	1	1	1	1	1	1	1	1
R595		CARBON RES. 1/4W J 2.7 OHM	1	1	1	1	1	1	1	1	1	1	1	1	1
R601		ANTI-SURGE RESISTOR 1/2W J 3.3M OHM	1	1	1	1	1	1	1	1	1	1	1	1	1
R602		ANTI-SURGE RESISTOR 1/2W J 3.3M OHM	1	1	1	1	1	1	1	1	1	1	1	1	1
R603		ANTI-SURGE RESISTOR 1/2W J 3.3M OHM	1	1	1	1	1	1	1	1	1	1	1	1	1
R604	▲ 9965 000 14277	CEMENT RESISTOR 5W 1.8 OHM	1	1	1	1	1	1	1	1	1	1	1	1	1
R605		CARBON RES. 1/4W J 56 OHM	1	1	1	1	1	1	1	1	1	1	1	1	1
R611		CARBON RES. 1/4W J 220 OHM	1	1	1	1	1	1	1	1	1	1	1	1	1
R612		CARBON RES. 1/4W J 180 OHM	1	1	1	1	1	1	1	1	1	1	1	1	1
R613		CARBON RES. 1/4W J 470K OHM	1	1	1	1	1	1	1	1	1	1	1	1	1
R615		CARBON RES. 1/4W J 1K OHM	1	1	1	1	1	1	1	1	1	1	1	1	1
R616		CARBON RES. 1/4W J 22 OHM	1	1	1	1	1	1	1	1	1	1	1	1	1
R617	▲ 9965 000 14278	CEMENT RES. 5W K 0.68 OHM	1	1	1	1	1	1	1	1	1	1	1	1	1
R618		PCB JUMPER D0.6-P5.0	1	1	1	1	1	1	1	1	1	1	1	1	1
R619		CARBON RES. 1/4W J 1.2K OHM	1	1	1	1	1	1	1	1	1	1	1	1	1
R620		CARBON RES. 1/4W J 820K OHM	1	1	1	1	1	1	1	1	1	1	1	1	1
R621		CARBON RES. 1/4W J 560K OHM	1	1	1	1	1	1	1	1	1	1	1	1	1
R622		CARBON RES. 1/4W J 680K OHM	1	1	1	1	1	1	1	1	1	1	1	1	1
R624		CARBON RES. 1/4W J 680K OHM	1	1	1	1	1	1	1	1	1	1	1	1	1
R625		CARBON RES. 1/4W J 1.2K OHM	1	1	1	1	1	1	1	1	1	1	1	1	1
R626		CARBON RES. 1/4W J 1.2K OHM	1	1	1	1	1	1	1	1	1	1	1	1	1
R627		CARBON RES. 1/4W J 2.2 OHM	1	1	1	1	1	1	1	1	1	1	1	1	1
R628		CARBON RES. 1/4W J 820 OHM	1	1	1	1	1	1	1	1	1	1	1	1	1
R631		CARBON RES. 1/4W J 33K OHM	1	1	1	1	1	1	1	1	1	1	1	1	1
R632		CARBON RES. 1/4W J 10K OHM	1	1	1	1	1	1	1	1	1	1	1	1	1
R633		CARBON RES. 1/4W J 15K OHM	1	1	1	1	1	1	1	1	1	1	1	1	1
R634		CARBON RES. 1/4W J 15K OHM	1	1	1	1	1	1	1	1	1	1	1	1	1
R635		CARBON RES. 1/4W J 180 OHM	1	1	1	1	1	1	1	1	1	1	1	1	1
R636		CARBON RES. 1/4W J 680 OHM	1	1	1	1	1	1	1	1	1	1	1	1	1
R637		CARBON RES. 1/4W J 5.6K OHM	1	1	1	1	1	1	1	1	1	1	1	1	1

ELECTRICAL PARTS LIST			14PV120/07	14PV125/01	14PV125/07	14PV125/39	14PV125/58	14PV225/01	14PV225/07	14PV225/39	14PV225/58	14PV422/01	14PV422/07	14PV422/39	14PV422/58	
Pos.	▲ 12 NC	Description														
R638		CARBON RES. 1/4W J 39K OHM	1	1	1	1	1	1	1	1	1	1	1	1	1	
R639		CARBON RES. 1/4W J 39K OHM	1	1	1	1	1	1	1	1	1	1	1	1	1	
R640		CARBON RES. 1/4W J 2.7K OHM	1	1	1	1	1	1	1	1	1	1	1	1	1	
R641		CARBON RES. 1/2W J 1K OHM	1	1	1	1	1	1	1	1	1	1	1	1	1	
R642		CARBON RES. 1/4W J 10K OHM	1	1	1	1	1	1	1	1	1	1	1	1	1	
R643		CARBON RES. 1/4W J 2.7K OHM	1	1	1	1	1	1	1	1	1	1	1	1	1	
R644		CARBON RES. 1/4W J 2.7K OHM	1	1	1	1	1	1	1	1	1	1	1	1	1	
R645		CARBON RES. 1/4W J 56K OHM	1	1	1	1	1	1	1	1	1	1	1	1	1	
R646		CARBON RES. 1/4W J 15 OHM	1	1	1	1	1	1	1	1	1	1	1	1	1	
R647		CARBON RES. 1/4W J 2.7K OHM	1	1	1	1	1	1	1	1	1	1	1	1	1	
R649		CARBON RES. 1/4W J 390 OHM	1	1	1	1	1	1	1	1	1	1	1	1	1	
R651		CARBON RES. 1/4W J 100 OHM	1	1	1	1	1	1	1	1	1	1	1	1	1	
R652		METAL OXIDE FILM RES. 2W J 22 OHM	1	1	1	1	1	1	1	1	1	1	1	1	1	
R653		CARBON RES. 1/4W J 150 OHM	1	1	1	1	1	1	1	1	1	1	1	1	1	
R654		CARBON RES. 1/4W J 2.2K OHM	1	1	1	1	1	1	1	1	1	1	1	1	1	
R655		CARBON RES. 1/4W J 5.6K OHM	1	1	1	1	1	1	1	1	1	1	1	1	1	
R656		CARBON RES. 1/4W J 47K OHM	1	1	1	1	1	1	1	1	1	1	1	1	1	
R657		CARBON RES. 1/4W J 220 OHM	1	1	1	1	1	1	1	1	1	1	1	1	1	
R658		METAL OXIDE FILM RES. 2W J 10K OHM	1	1	1	1	1	1	1	1	1	1	1	1	1	
R659		METAL OXIDE FILM RES. 2W J 10K OHM	1	1	1	1	1	1	1	1	1	1	1	1	1	
R660		PCB JUMPER D0.6-P5.0	1	1	1	1	1	1	1	1	1	1	1	1	1	
R661		CARBON RES. 1/4W J 1.8K OHM	1	1	1	1	1	1	1	1	1	1	1	1	1	
R662		CARBON RES. 1/4W J 820K OHM	1	1	1	1	1	1	1	1	1	1	1	1	1	
SA601	▲ 9965 000 13898	SURGE ABSORBER PVR-07D471KB	1	1	1	1	1	1	1	1	1	1	1	1	1	
SWITCHES																
SW601	▲ 9965 000 13902	POWER SWITCH SDKVA30100	1	1	1	1	1	1	1	1	1	1	1	1	1	
TRANSISTORS																
T551	9965 000 18124	FLYBACK TRANS BSC23-2603S	1	1	1	1	1	1	1	1	1	1	1	1	1	
T552	9965 000 13904	HORIZONTAL DRIVE TRANS LP2-005	1	1	1	1	1	1	1	1	1	1	1	1	1	
T601	▲ 9965 000 18125	SWITCHING TRANS 03701	1	1	1	1	1	1	1	1	1	1	1	1	1	
TM601	▲	TAB 42018	1	1	1	1	1	1	1	1	1	1	1	1	1	
TM602	▲	TAB 42018	1	1	1	1	1	1	1	1	1	1	1	1	1	
TP501		PCB JUMPER D0.6-P7.5	1	1	1	1	1	1	1	1	1	1	1	1	1	
TP502		PCB JUMPER D0.6-P7.5	1	1	1	1	1	1	1	1	1	1	1	1	1	
TP503		PCB JUMPER D0.6-P15.0	1	1	1	1	1	1	1	1	1	1	1	1	1	
TP504		PCB JUMPER D0.6-P15.0	1	1	1	1	1	1	1	1	1	1	1	1	1	
VR601	9965 000 13906	CARBON P.O.T. 10K OHM B	1	1	1	1	1	1	1	1	1	1	1	1	1	
CRT CBA																
CAPACITORS																
C501		CERAMIC CAP.(AX) B K 220PF/50V	1	1	1	1	1	1	1	1	1	1	1	1	1	
C502		CERAMIC CAP.(AX) B K 220PF/50V	1	1	1	1	1	1	1	1	1	1	1	1	1	
C503		CERAMIC CAP.(AX) B K 220PF/50V	1	1	1	1	1	1	1	1	1	1	1	1	1	
C504		CERAMIC CAP. B K 1000PF/2KV	1	1	1	1	1	1	1	1	1	1	1	1	1	
C505		ELECTROLYTIC CAP. 1UF/50V M H7	1	1	1	1	1	1	1	1	1	1	1	1	1	
CONNECTORS																
CL501A	9965 000 18126	LEAD WIRE 3P/230	1	1	1	1	1	1	1	1	1	1	1	1	1	
CN501	9965 000 13911	PIN CONNECTOR 005P-5100	1	1	1	1	1	1	1	1	1	1	1	1	1	
CN502	9965 000 05247	CONNECTOR BASE, 4P TUC-P04P-B1	1	1	1	1	1	1	1	1	1	1	1	1	1	
JK501	9965 000 13913	CRT SOCKET ISMS01S	1	1	1	1	1	1	1	1	1	1	1	1	1	
L501		PCB JUMPER D0.6-P5.0	1	1	1	1	1	1	1	1	1	1	1	1	1	
TRANSISTORS																
Q501	4822 130 60578	TRANSISTOR 2SC2482 TPE6	1	1	1	1	1	1	1	1	1	1	1	1	1	
Q502	4822 130 60578	TRANSISTOR 2SC2482 TPE6	1	1	1	1	1	1	1	1	1	1	1	1	1	
Q503	4822 130 60578	TRANSISTOR 2SC2482 TPE6	1	1	1	1	1	1	1	1	1	1	1	1	1	
RESISTORS																
R501		METAL OXIDE FILM RES. 1W J 18K OHM	1	1	1	1	1	1	1	1	1	1	1	1	1	
R502		METAL OXIDE FILM RES. 1W J 18K OHM	1	1	1	1	1	1	1	1	1	1	1	1	1	

ELECTRICAL PARTS LIST			14PV120/07	14PV125/01	14PV125/07	14PV125/39	14PV125/58	14PV225/01	14PV225/07	14PV225/39	14PV225/58	14PV422/01	14PV422/07	14PV422/39	14PV422/58
Pos.	▲ 12 NC	Description													
R503		METAL OXIDE FILM RES. 1W J 18K OHM	1	1	1	1	1	1	1	1	1	1	1	1	1
R504		CARBON RES. 1/4W J 1.5K OHM	1	1	1	1	1	1	1	1	1	1	1	1	1
R505		CARBON RES. 1/4W J 1.5K OHM	1	1	1	1	1	1	1	1	1	1	1	1	1
R506		CARBON RES. 1/4W J 1.5K OHM	1	1	1	1	1	1	1	1	1	1	1	1	1
R507		CARBON RES. 1/4W J 1.5K OHM	1	1	1	1	1	1	1	1	1	1	1	1	1
R510		CARBON RES. 1/4W J 1.5K OHM	1	1	1	1	1	1	1	1	1	1	1	1	1
R511		PCB JUMPER D0.6-P5.0	1	1	1	1	1	1	1	1	1	1	1	1	1
R512		PCB JUMPER D0.6-P5.0	1	1	1	1	1	1	1	1	1	1	1	1	1
R513		PCB JUMPER D0.6-P5.0	1	1	1	1	1	1	1	1	1	1	1	1	1
R514		CARBON RES. 1/4W J 1.5K OHM	1	1	1	1	1	1	1	1	1	1	1	1	1
R515		CARBON RES. 1/4W J 120K OHM	1	1	1	1	1	1	1	1	1	1	1	1	1
R516		CARBON RES. 1/4W J 15 OHM	1	1	1	1	1	1	1	1	1	1	1	1	1
R517		CARBON RES. 1/4W J 560 OHM	1	1	1	1	1	1	1	1	1	1	1	1	1
R518		CARBON RES. 1/4W J 120K OHM	1	1	1	1	1	1	1	1	1	1	1	1	1
R519		CARBON RES. 1/4W J 15 OHM	1	1	1	1	1	1	1	1	1	1	1	1	1
R520		CARBON RES. 1/4W J 560 OHM	1	1	1	1	1	1	1	1	1	1	1	1	1
R521		CARBON RES. 1/4W J 120K OHM	1	1	1	1	1	1	1	1	1	1	1	1	1
R522		CARBON RES. 1/4W J 15 OHM	1	1	1	1	1	1	1	1	1	1	1	1	1
R523		CARBON RES. 1/4W J 560 OHM	1	1	1	1	1	1	1	1	1	1	1	1	1
TEXT CBA															
CAPACITORS															
C901		ELECTROLYTIC CAP. 22UF/50V M						1	1	1	1	1	1	1	
C902		CERAMIC CAP.(AX) B K 100PF/50V						1	1	1	1	1	1	1	
C903		ELECTROLYTIC CAP. 0.1UF/50V M						1	1	1	1	1	1	1	
C904		ELECTROLYTIC CAP. 0.1UF/50V M						1	1	1	1	1	1	1	
C905		CERAMIC CAP.(AX) Y M 0.01UF/16V						1	1	1	1	1	1	1	
C906		ELECTROLYTIC CAP. 100UF/10V M						1	1	1	1	1	1	1	
C916		CERAMIC CAP.(AX) CH J 18PF/50V						1	1	1	1	1	1	1	
C917		CERAMIC CAP.(AX) CH J 18PF/50V						1	1	1	1	1	1	1	
C920		CERAMIC CAP.(AX) Y M 0.01UF/16V						1	1	1	1	1	1	1	
C921		ELECTROLYTIC CAP. 100UF/10V M						1	1	1	1	1	1	1	
C922		ELECTROLYTIC CAP. 100UF/10V M						1	1	1	1	1	1	1	
C923		ELECTROLYTIC CAP. 100UF/10V M						1	1	1	1	1	1	1	
C926		CERAMIC CAP.(AX) Y M 0.01UF/16V						1	1	1	1	1	1	1	
CONNECTORS															
CN901	9965 000 13916	CONNECTOR, 8P TUC-P08X-B1						1	1	1	1	1	1	1	
CN902	9965 000 13917	CONNECTOR, 6P TUC-P06X-B1						1	1	1	1	1	1	1	
DIODES															
D901	4822 130 32778	SWITCHING DIODE 1SS133(T-77)						1	1	1	1	1	1	1	
D902	4822 130 32778	SWITCHING DIODE 1SS133(T-77)						1	1	1	1	1	1	1	
D903	9965 000 18140	ZENER DIODE MTZJT-773.6B						1	1	1	1	1	1	1	
D904	4822 130 32778	SWITCHING DIODE 1SS133(T-77)						1	1	1	1	1	1	1	
D905	4822 130 32778	SWITCHING DIODE 1SS133(T-77)						1	1	1	1	1	1	1	
D906	4822 130 32778	SWITCHING DIODE 1SS133(T-77)						1	1	1	1	1	1	1	
D907	4822 130 32778	SWITCHING DIODE 1SS133(T-77)						1	1	1	1	1	1	1	
D908	9965 000 18119	ZENER DIODE DZ-3.3BSBT265						1	1	1	1	1	1	1	
D909	9965 000 18119	ZENER DIODE DZ-3.3BSBT265						1	1	1	1	1	1	1	
IC's															
IC901	9965 000 18141	IC:TEXT SAA5265						1	1	1	1	1	1	1	
COILS															
L901	9965 000 18142	INDUCTOR 10UH-J-26T						1	1	1	1	1	1	1	
L902	9965 000 18142	INDUCTOR 10UH-J-26T						1	1	1	1	1	1	1	
TRANSISTORS															
Q901	9965 000 05643	TRANSISTOR 2SC2785(F)						1	1	1	1	1	1	1	
Q901		TRANSISTOR 2SC2785(H)						1	1	1	1	1	1	1	
Q901		TRANSISTOR 2SC2785(J)						1	1	1	1	1	1	1	
Q901		TRANSISTOR KTC3199(GR)						1	1	1	1	1	1	1	

ELECTRICAL PARTS LIST			14PV120/07	14PV125/01	14PV125/07	14PV125/39	14PV125/58	14PV225/01	14PV225/07	14PV225/39	14PV225/58	14PV422/01	14PV422/07	14PV422/39	14PV422/58	
Pos.	▲ 12 NC	Description														
Q901		TRANSISTOR KTC3198(GR)						1	1	1	1	1	1	1	1	
Q901		TRANSISTOR 2SC1815-GR(TPE2)						1	1	1	1	1	1	1	1	
RESISTORS																
R901		CARBON RES. 1/4W J 2.2K OHM						1	1	1	1	1	1	1	1	
R902		CARBON RES. 1/4W J 1K OHM						1	1	1	1	1	1	1	1	
R903		CARBON RES. 1/4W J 24K OHM						1	1	1	1	1	1	1	1	
R904		CARBON RES. 1/4W J 10K OHM						1	1	1	1	1	1	1	1	
R905		CARBON RES. 1/4W J 10K OHM						1	1	1	1	1	1	1	1	
R906		CARBON RES. 1/4W J 1.5K OHM						1	1	1	1	1	1	1	1	
R908		CARBON RES. 1/4W J 1.5K OHM						1	1	1	1	1	1	1	1	
R911		CARBON RES. 1/4W J 1.5K OHM						1	1	1	1					
R912		CARBON RES. 1/4W J 1K OHM						1	1	1	1					
R913		PCB JUMPER D0.6-P5.0						1	1	1	1					
R914		PCB JUMPER D0.6-P5.0						1	1	1	1					
R915		PCB JUMPER D0.6-P5.0						1	1	1	1					
R916		CARBON RES. 1/4W J 220 OHM						1	1	1	1					
R918		METAL OXIDE FILM RES. 2W J 56 OHM						1	1	1	1					
R919		PCB JUMPER D0.6-P5.0						1	1	1	1					
R920		PCB JUMPER D0.6-P5.0						1	1	1	1					
R921		CARBON RES. 1/4W J 3.3K OHM						1	1	1	1					
R922		CARBON RES. 1/4W J 3.3K OHM						1	1	1	1					
R923		CARBON RES. 1/4W J 3.3K OHM						1	1	1	1					
R924		CARBON RES. 1/4W J 1K OHM						1	1	1	1					
R925		CARBON RES. 1/4W J 10 OHM						1	1	1	1					
R926		CARBON RES. 1/4W J 4.7K OHM						1	1	1	1					
R927		CARBON RES. 1/4W J 1K OHM						1	1	1	1					
X901	9965 000 12194	X'TAL 12.000MHZ						1	1	1	1					

PRODUCT SAFETY NOTE: Products marked with a ▲

have special characteristics important to safety.
 Before replacing any of these components, read carefully
 the product safety notice in this service manual.
 Don't degrade the safety of the product through improper

***)Note:**

Pos.1 consists of A1-1 A1-8
 A1-3 A1-9
 A1-4 A1-10
 A1-5 L7
 A1-7

MECHANICAL PARTS LIST				14PV120/07	14PV125/01	14PV125/07	14PV125/39	14PV125/58	14PV225/01	14PV225/07	14PV225/39	14PV225/58	14PV422/01	14PV422/07	14PV422/39	14PV422/58
Pos.	Pos. Expl. View	▲ 12 NC	Description													
0001	*)	3143 027 60281	FRONT ASSY 14PV120/07	1												
0001	*)	3143 027 60291	FRONT ASSY 14PV125/01/07/58		1	1		1								
0001	*)	3143 027 60301	FRONT ASSY 14PV125/39				1									
0001	*)	3143 027 60041	FRONT ASSY 14PV203/01/07/58						1	1		1				
0001	*)	3143 027 60311	FRONT ASSY 14PV225/39								1					
0001	*)	3143 027 60201	FRONT ASSY 14PV422/01/07/58										1	1		1
0001	*)	3143 027 60211	FRONT ASSY 14PV422/39												1	
0001	A1-1		FRONT CAB (A) BL 80007	1												
0001	A1-1		FRONT CAB (A) GR PH001		1	1	1	1	1	1	1	1				
0001	A1-1		FRONT CAB PH01 LIGHT GREY										1	1	1	1
0011	A1-3		WORDMARK 14" 17" PLASTIC	1												
0011	A1-3		WORDMARK PHILIPS										1	1	1	1
0011	A1-3		WORDMARK PHILIPS		1	1	1	1	1	1	1	1				
0005	A1-4		CASS. DOOR PH01 LIGHT GREY										1	1	1	1
0005	A1-4		CASS. DOOR (A) BL 80007	1												
0005	A1-4		CASS. DOOR (A) GR PH001		1	1	1	1	1	1	1	1				
0006	A1-5		LEG SPRING	1	1	1	1	1	1	1	1	1	1	1	1	1
0007	A1-8		LED LENS A (C)	1	1	1	1	1	1	1	1	1				
0007	A1-8		LED LENS B (C)										1	1	1	1
0008	A1-9		LED LENS A (R)	1	1	1	1	1	1	1	1	1				
0008	A1-9		LED LENS B (R)										1	1	1	1
0010	L7	4822 502 14109	SCR PAN TORX TAP ST ZN BK 3X10	1	1	1	1	1	1	1	1	1	1	1	1	1
0009			FUNC. KNOB (A) BL 80007	1												
0009			FUNC. KNOB (A) GR PH001		1	1	1	1	1	1	1	1				
0009			FUNC. KNOB PH01 LIGHT GREY										1	1	1	1
0005	A1-7	3143 027 50371	FUNC. KNOB "A" BLACK	1												
0005	A1-7	3143 027 50381	FUNC. KNOB "A" SILVER SHADOW		1	1	1	1	1	1	1	1				
0005	A1-7	3143 027 50401	FUNC. KNOB "B" SILVER SHADOW										1	1	1	1
0031	B15	3143 021 20021	TE HOLDER						1	1	1	1				
0055	L1	4822 502 14062	SCREW	1	1	1	1	1	1	1	1	1	1	1	1	1
0056	L2		TORX HEAD TAPPING SCREW M4X12	1	1	1	1	1	1	1	1	1	1	1	1	1
0059	TL1	4822 502 14109	SCR PAN TORX TAP ST ZN BK 3X10						1	1	1	1				
0070	A2	3143 027 50131	REAR CAB PH001		1	1	1	1	1	1	1	1	1	1	1	1
0070	A2	3143 027 50141	REAR CAB PH004	1												
0071	A12	3143 027 50191	POWER BUTTON PH001		1	1	1	1	1	1	1	1	1	1	1	1

MECHANICAL PARTS LIST				14PV120/07	14PV125/01	14PV125/07	14PV125/39	14PV125/58	14PV225/01	14PV225/07	14PV225/39	14PV225/58	14PV422/01	14PV422/07	14PV422/39	14PV422/58
Pos.	Pos. Expl. View	▲ 12 NC	Description													
0071	A12	3143 027 50201	POWER BUTTON PH004	1												
1010	SP151	9965 000 18085	SPEAKER ASSY	1	1	1	1	1	1	1	1	1	1	1	1	1
0002	B4	4822 402 10174	BRACKET ==>14"	1	1	1	1	1	1	1	1	1	1	1	1	1
0004	B1	3143 021 20031	TENSION SPRING	1	1	1	1	1	1	1	1	1	1	1	1	1
0030	B3	3143 021 20011	SCREENING	1	1	1	1	1	1	1	1	1	1	1	1	1
0015		3143 027 50351	CABLE CLAMP	1	1	1	1	1	1	1	1	1	1	1	1	1
0054	B2		SCREW ==>CRT	1	1	1	1	1	1	1	1	1	1	1	1	1
0057	L8		FLAT HEAD SCREW 4X18	1	1	1	1	1	1	1	1	1	1	1	1	1
0058	TL1		SHIELD PLATE SCREW M3X4	1	1	1	1	1	1	1	1	1	1	1	1	1
1100			CRT A34EAC01X71	1	1	1	1	1	1	1	1	1	1	1	1	1
1B1			DECK ASSEMBLY	1	1	1	1	1	1	1	1	1	1	1	1	1
TB1			TRAY CHASSIS T6400RA	1	1	1	1	1	1	1	1	1	1	1	1	1
TB2			TOP COVER T6300RA	1	1	1	1	1	1	1	1	1	1	1	1	1
TB10		9965 000 18086	RCA HOLDER T6400RA	1	1	1	1	1	1	1	1	1	1	1	1	1
TB23			BOTTOM PLATE T6300RA	1	1	1	1	1	1	1	1	1	1	1	1	1
TL1		9965 000 08646	SCREW, P-TIGHT 3X12 WASHER HEAD+	1	1	1	1	1	1	1	1	1	1	1	1	1
TL14		9965 000 12171	SCREW, B-TIGHT M3X8 BIND HEAD+	1	1	1	1	1	1	1	1	1	1	1	1	1
TL18		9965 000 13027	SCREW, P-TIGHT M3X8 BIND HEAD+	1	1	1	1	1	1	1	1	1	1	1	1	1
			PACKING													
0450	S1		BOX FOLDED 14PV120	1												
0450	S1		BOX FOLDED 14PV125		1	1	1	1								
0450	S1		BOX FOLDED 14PV22X						1	1	1	1				
0450	S1		BOX FOLDED 14PV42X										1	1	1	1
0453	S2		STYROFOAM TOP A	1	1	1	1	1	1	1	1	1				
0453	S2		STYROFOAM TOP B										1	1	1	1
0454	S2		STYROFOAM BOTTOM A	1	1	1	1	1	1	1	1	1				
0454	S2		STYROFOAM BOTTOM B										1	1	1	1
0455	X1		BAG (==>MAINS CORD)	1	1	1	1	1	1	1	1	1	1	1	1	1
0469	S6		TOPFOIL	1	1	1	1	1	1	1	1	1	1	1	1	1
0471			STRETCHFOIL 500/15	1	1	1	1	1	1	1	1	1	1	1	1	1
0150	X3	9965 000 18084	RC RT350/101	1												
0150	X3	9965 000 18138	RC RT350/111		1	1	1	1					1	1	1	1
0150	X3	9965 000 18139	RC RT351/111						1	1	1	1				
			TEST TAPES													
0001		3143 023 20011	TEST TAPE FL6K(S)	1	1	1	1	1	1	1	1	1	1	1	1	1
0002		3143 023 20021	TEST TAPE FL6NS8	1	1	1	1	1	1	1	1	1	1	1	1	1
0003		3143 023 20031	TEST TAPE FSLT-120	1	1	1	1	1	1	1	1	1	1	1	1	1
0004		3143 023 20041	TEST TAPE FL6M	1	1	1	1	1	1	1	1	1	1	1	1	1

STANDARD MAINTENANCE

[14PV120/07, 14PV125/ (01, 07, 39, 58), 14PV225/ (01, 07, 39, 58), 14PV422/ (01, 07, 39, 58), 14PV425/07]

Service Schedule of Components

H: Hours ○: Check ●: Change

Deck		Periodic Service Schedule			
Ref.No.	Part Name	1,000 H	2,000 H	3,000 H	4,000 H
B2	Cylinder Assembly	○	●	○	●
B3	Loading Motor Assembly			●	
B8	Pulley Assembly		●		●
B587	Tension Lever Assembly		●		●
B31	AC Head Assembly			●	
B573,B574	Reel (SP)(D2), Reel (TU)(D2)			●	
B37	Capstan Motor		●		●
B52	Cap Belt		●		●
B73	FE Head			●	
B133,B134	Idler Gear, Idler Arm		●		●
B410	Pinch Arm Assembly		●		●
B414	M Brake (SP) Assembly		●		●
B416	M Brake (TU) Assembly		●		●
B525	LDG Belt		●		●
B569	Cam Holder (F)		●		●

Notes:

- 1.Clean all parts for the tape transport (Upper Drum with Video Head / Pinch Roller / Audio Control Head / Full Erase Head) using 90% Isopropyl Alcohol.
- 2.After cleaning the parts, do all DECK ADJUSTMENTS.
- 3.For the reference numbers listed above, refer to Deck Exploded Views.

Cleaning

Cleaning of Video Head

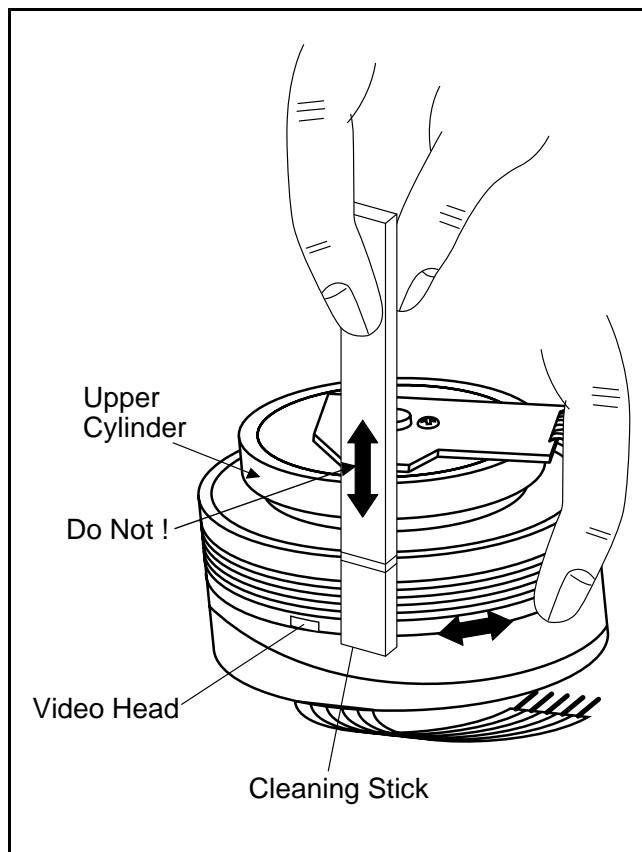
Clean the head with a head cleaning stick or chamois cloth.

Procedure

1. Remove the top cabinet.
2. Put on a glove (thin type) to avoid touching the upper and lower drum with your bare hand.
3. Put a few drops of 90% Isopropyl alcohol on the head cleaning stick or on the chamois cloth and, by slightly pressing it against the head tip, turn the upper drum to the right and to the left.

Notes:

1. The video head surface is made of very hard material, but since it is very thin, avoid cleaning it vertically.
2. Wait for the cleaned part to dry thoroughly before operating the unit.
3. Do not reuse a stained head cleaning stick or a stained chamois cloth.



Cleaning of Audio Control Head

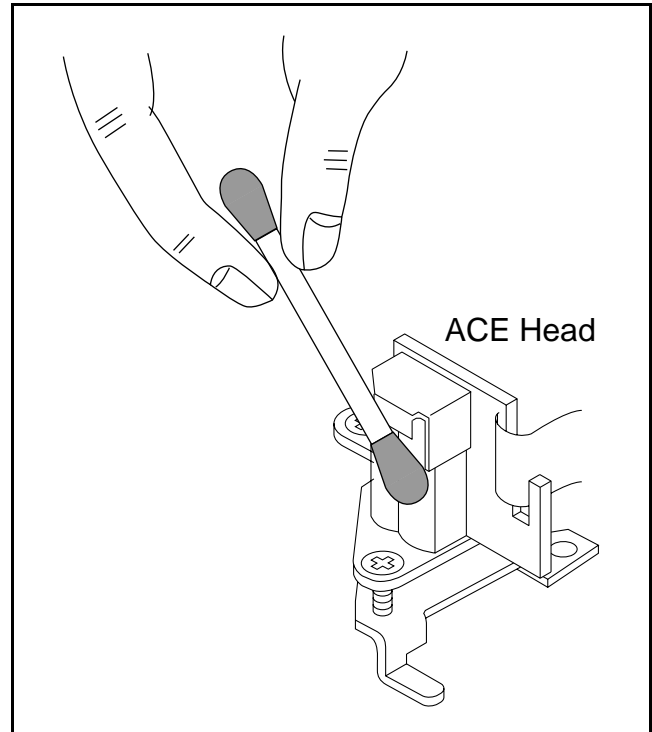
Clean the head with a cotton swab.

Procedure

1. Remove the top cabinet.
2. Dip the cotton swab in 90% isopropyl alcohol and clean the audio control head. Be careful not to damage the upper drum and other tape running parts.

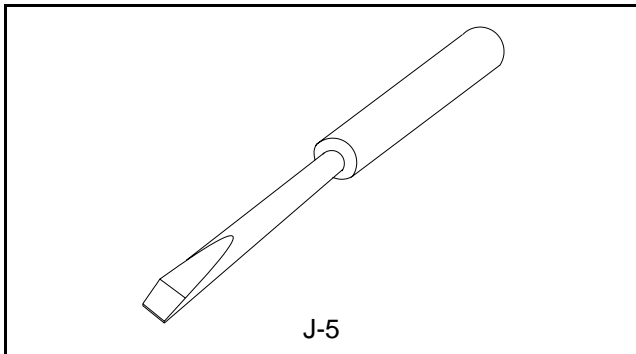
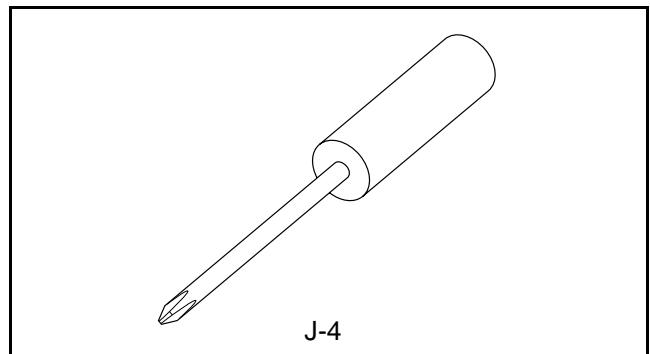
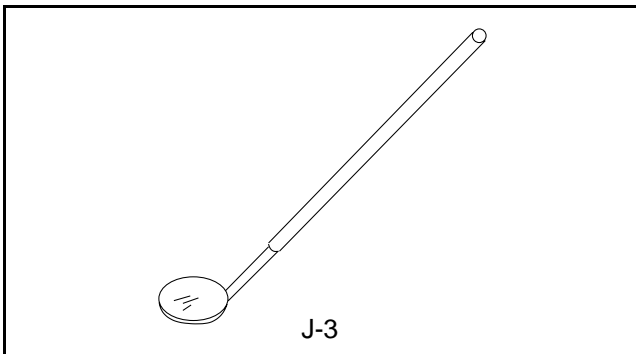
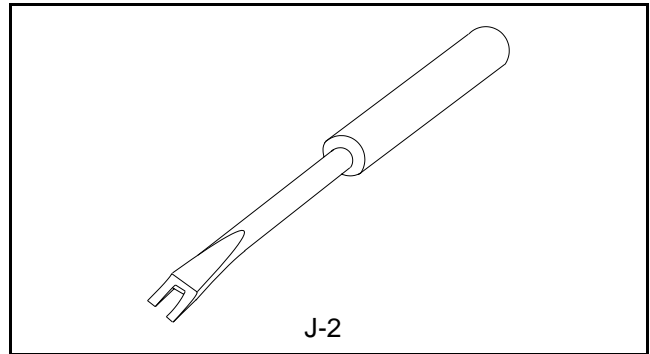
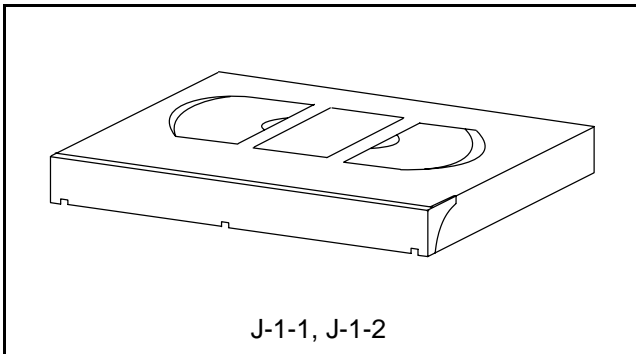
Notes:

1. Avoid cleaning the audio control head vertically.
2. Wait for the cleaned part to dry thoroughly before operating the unit or damage may occur.



SERVICE FIXTURE AND TOOLS

[14PV120/07, 14PV125/ (01, 07, 39, 58), 14PV225/ (01, 07, 39, 58),
14PV422/ (01, 07, 39, 58), 14PV425/07]



Ref. No.	Name	Part No.	Adjustment
J-1-1	Alignment Tape	FL6A	Electrical Adjustments
J-1-2	Alignment Tape	FL6N8 (2 Head model) FL6NS8 (4 Head model)	Azimuth and X Value Adjustment of Audio Control Head / Adjustment of Envelope Waveform
J-2	Guide Roller Adj.Screwdriver	Available Locally	Guide Roller
J-3	Mirror	Available Locally	Tape Transportation Check
J-4	Azimuth Adj.Screwdriver +	Available Locally	A/C Head Height
J-5	X Value Adj.Screwdriver -	Available Locally	X Value

MECHANICAL ALIGNMENT PROCEDURES

[14PV120/07, 14PV125/ (01, 07, 39, 58), 14PV225/ (01, 07, 39, 58), 14PV422/ (01, 07, 39, 58), 14PV425/07]

Explanation of alignment for the tape to correctly run starts on the next page. Refer to the information below on this page if a tape gets stuck, for example, in the mechanism due to some electrical trouble of the unit.

Service Information

A. Method for Manual Tape Loading/Unloading

To load a cassette tape manually:

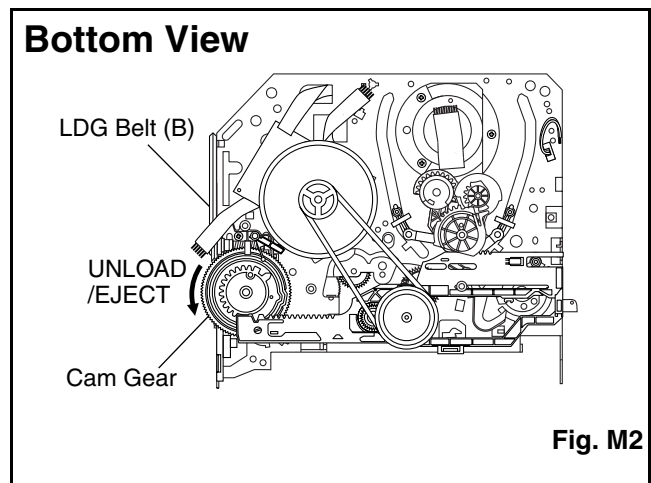
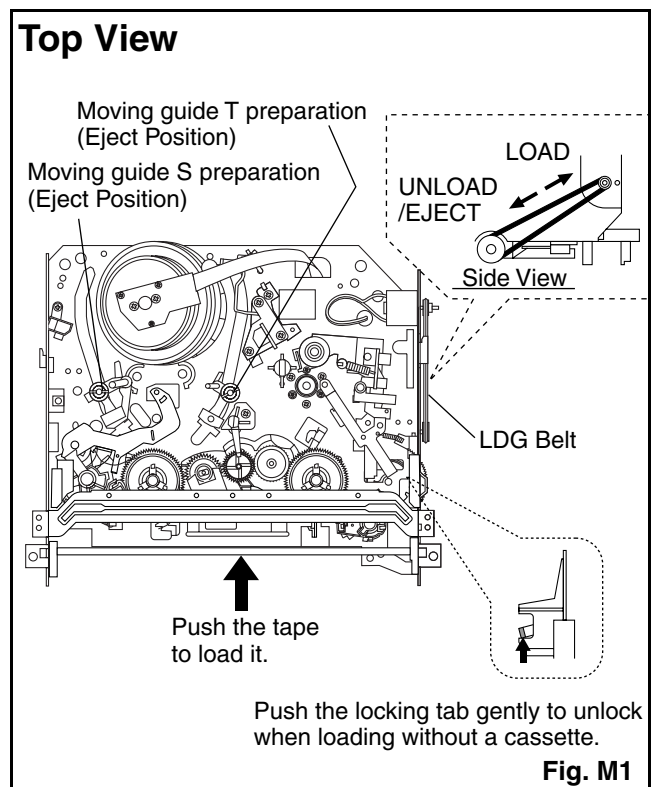
1. Disconnect the AC plug.
2. Remove the Top Case and Front Assembly.
3. Insert a cassette tape. Though the tape will not be automatically loaded, make sure that the cassette tape is all the way in at the inlet of the Cassette Holder. To confirm this, lightly push the cassette tape further in and see if the tape comes back out, by a spring motion, just as much as you have pushed in.
4. Turn the LDG Belt in the appropriate direction shown in Fig. M1 for a minute or two to complete this task.

To unload a cassette tape manually:

1. Disconnect the AC plug.
2. Remove the Top Case and Front Assembly.
3. Make sure that the Moving guide preparations are in the Eject Position.
4. Turn the LDG Belt in the appropriate direction shown in Fig. M1 until the Moving guide preparations come to the Eject Position. Stop turning when the preparations begin clicking or can not be moved further. However, the tape will be left wound around the cylinder.
5. Turn the LDG Belt in the appropriate direction continuously, and the cassette tape will be ejected. Allow a minute or two to complete this task.

B. Method to place the Cassette Holder in the tape-loaded position without a cassette tape

1. Disconnect the AC Plug.
2. Remove the Top Case and Front Assembly.
3. Turn the LDG Belt in the appropriate direction shown in Fig. M1. Release the locking tabs shown in Fig. M1 and continue turning the LDG Belt until the Cassette Holder comes to the tape-loaded position. Allow a minute or two to complete this task.



1. Tape Interchangeability Alignment

Note:

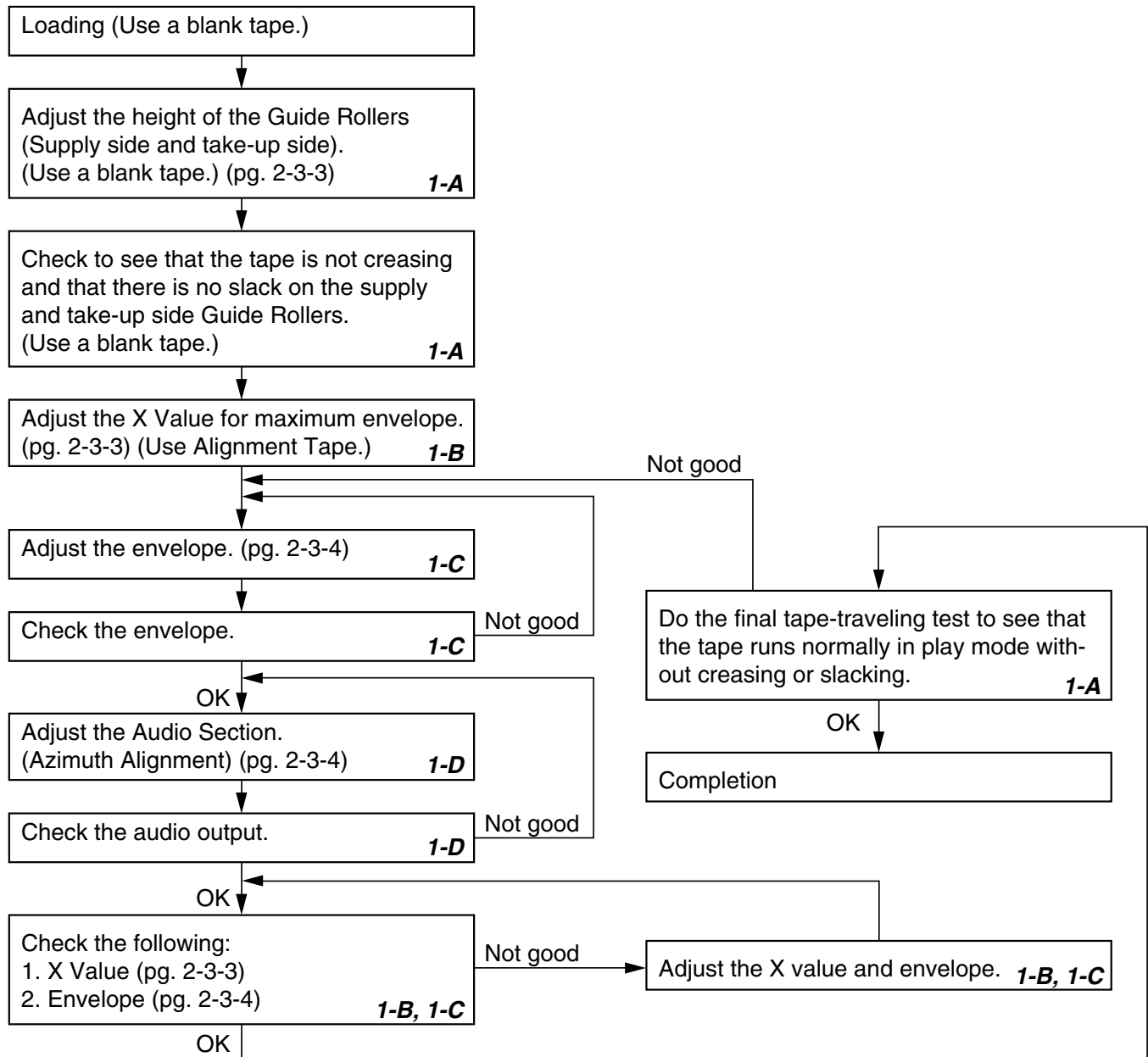
To do these alignment procedures, make sure that the Tracking Control Circuit is set to the center position every time a tape is loaded or unloaded. (Refer to page 2-3-8, procedure 1-C, step 2.)

Equipment required:

- Dual Trace Oscilloscope
- VHS Alignment Tape (FL6N8)
- Guide Roller Adj. Screwdriver
- X-Value Adj. Screwdriver

Note: Before starting this Mechanical Alignment, do all Electrical Adjustment procedures.

Flowchart of Alignment for tape traveling



1-A. Preliminary/Final Checking and Alignment of Tape Path

Purpose:

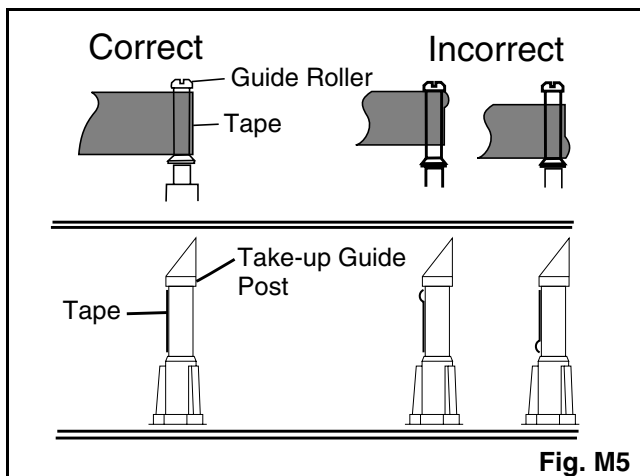
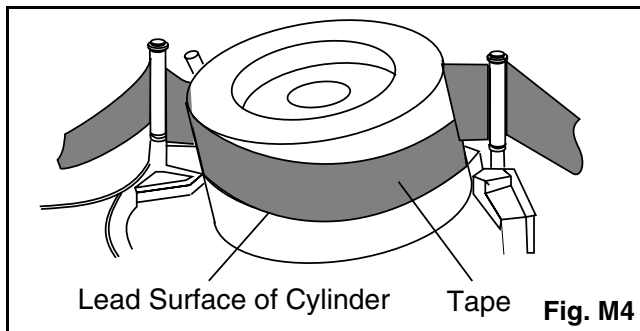
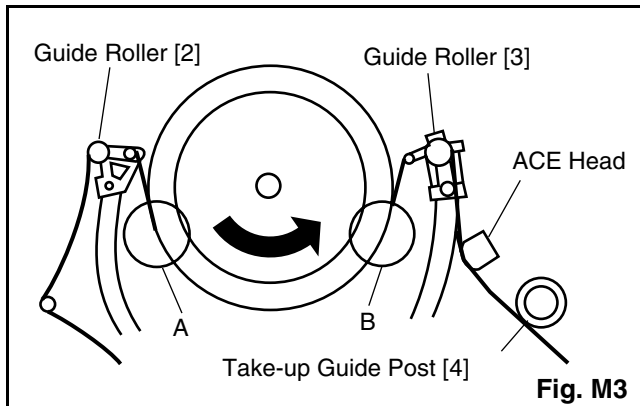
To make sure that the tape path is well stabilized.

Symptom of Misalignment:

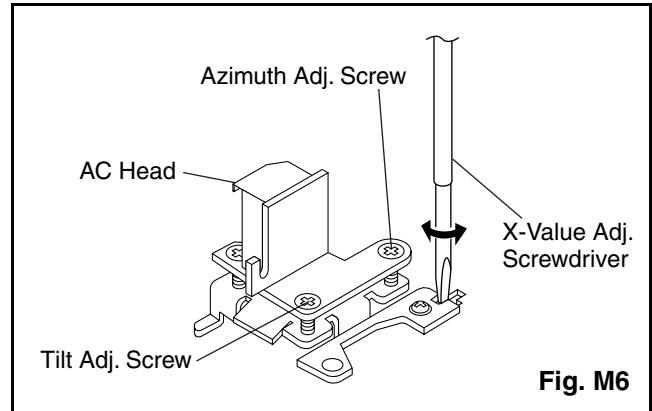
If the tape path is unstable, the tape will be damaged.

Note: Do not use an Alignment Tape for this procedure. If the unit is not correctly aligned, the tape may be damaged.

1. Playback a blank cassette tape and check to see that the tape runs without creasing at Guide Rollers [2] and [3], and at points A and B on the lead surface. (Refer to Fig. M3 and M4.)
2. If creasing is apparent, align the height of the guide rollers by turning the top of Guide Rollers [2] and [3] with a Guide Roller Adj. Screwdriver. (Refer to Fig. M3 and M5.)



3. Check to see that the tape runs without creasing at Take-up Guide Post [4] or without snaking between Guide Roller [3] and AC Head. (Fig. M3 and M5)
4. If creasing or snaking is apparent, adjust the Tilt Adj. Screw of the AC Head. (Fig. M6)



1-B. X Value Alignment

Purpose:

To align the Horizontal Position of the Audio/Control/ Erase Head.

Symptom of Misalignment:

If the Horizontal Position of the Audio/Control/Erase Head is not properly aligned, maximum envelope cannot be obtained at the Neutral position of the Tracking Control Circuit.

1. Connect the oscilloscope to TP008 (C-PB) and TP001 (CTL) on the Main CBA. Use TP002 (RF-SW) as a trigger.
2. Playback the Gray Scale of the Alignment Tape (FL6N8) and confirm that the PB FM signal is present.
3. Set the Tracking Control Circuit to the center position by pressing CH UP button then "PLAY" button on the unit. (Refer to note on bottom of page 2-3-8.)
4. Use the X-Value Adj. Screwdriver so that the PB FM signal at TP008 (C-PB) is maximum. (Fig. M6)
5. Press CH UP button on the unit until the CTL waveform has shifted by approx. +2msec. Make sure that the envelope is simply attenuated (shrinks in height) during this process so that you will know the envelope has been at its peak.

- Press CH DOWN button on the unit until the CTL waveform has shifted from its original position (not the position achieved in step 5, but the position of CTL waveform in step 4) by approximately -2msec. Make sure that the envelope is simply attenuated (shrinks in height) once CTL waveform passes its original position and is further brought in the minus direction.
- Set the Tracking Control Circuit to the center position by pressing CH UP button and then "PLAY" button.

1-C. Checking/Adjustment of Envelope Waveform

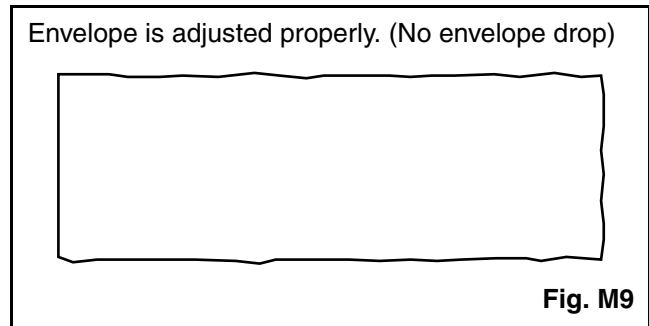
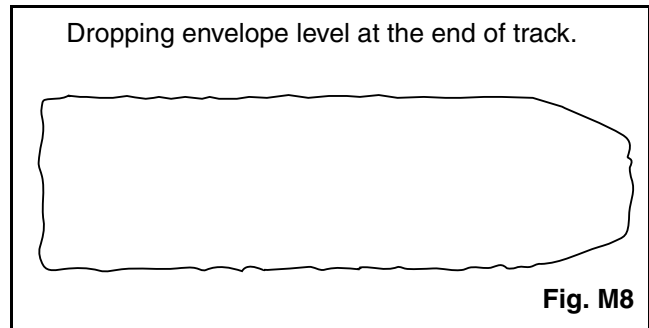
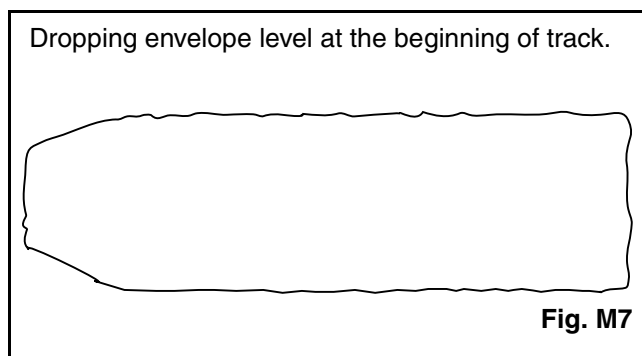
Purpose:

To achieve a satisfactory picture and precise tracking.

Symptom of Misalignment:

If the envelope output is poor, noise will appear in the picture. The tracking will then lose precision and the playback picture will be distorted by any slight variation of the Tracking Control Circuit.

- Connect the oscilloscope to TP008 (C-PB) on the Main CBA. Use TP002 (RF-SW) as a trigger.
- Playback the Gray Scale on the Alignment Tape (FL6N8). Set the Tracking Control Circuit to the center position by pressing CH UP button and then "PLAY" button on the unit. Adjust the height of Guide Rollers [2] and [3] (Fig. M3, Page 2-3-7) watching the oscilloscope display so that the envelope becomes as flat as possible. To do this adjustment, turn the top of the Guide Roller with the Guide Roller Adj. Screwdriver.
- If the envelope is as shown in Fig. M7, adjust the height of Guide Roller [2] (Refer to Fig. M3) so that the waveform looks like the one shown in Fig. M9.
- If the envelope is as shown in Fig. M8, adjust the height of Guide Roller [3] (Refer to Fig. M3) so that the waveform looks like the one shown in Fig. M9.
- When Guide Rollers [2] and [3] (Refer to Fig.M3) are aligned properly, there is no envelope drop either at the beginning or end of track as shown in Fig. M9.



Note: Upon completion of the adjustment of Guide Rollers [2] and [3] (Refer to Fig. M3), check the X Value by pushing the CH UP or DOWN buttons alternately, to check the symmetry of the envelope. Check the number of pushes to ensure center position. The number of pushes CH UP button to achieve 1/2 level of envelope should match the number of pushes CH DOWN button from center. If required, redo the "X Value Alignment."

1-D. Azimuth Alignment of Audio/Control/Erase Head

Purpose:

To correct the Azimuth alignment so that the Audio/Control/Erase Head meets tape tracks properly.

Symptom of Misalignment:

If the position of the Audio/Control/Erase Head is not properly aligned, the Audio S/N Ratio or Frequency Response will be poor.

- Connect the oscilloscope to the audio output jack on the rear side of the deck.
- Playback the alignment tape (FL6N8) and confirm that the audio signal output level is 6kHz.
- Adjust Azimuth Adj. Screw so that the output level on the AC Voltmeter or the waveform on the oscilloscope is at maximum. (Fig. M6)

DISASSEMBLY/ASSEMBLY PROCEDURES OF DECK MECHANISM

**[14PV120/07, 14PV125/ (01, 07, 39, 58), 14PV225/ (01, 07, 39, 58),
14PV422/ (01, 07, 39, 58), 14PV425/07]**

Before following the procedures described below, be sure to remove the deck assembly from the cabinet. (Refer to CABINET DISASSEMBLY INSTRUCTIONS.)

All the following procedures, including those for adjustment and replacement of parts, should be done in Eject mode; see the positions of [41] and [42] in Fig.DM1 on page 2-4-11. When reassembling, follow the steps in reverse order.

STEP /LOC. No.	START-ING No.	PART		REMOVAL		INSTALLATION
				Fig. No.	REMOVE/*UNHOOK/ UNLOCK/RELEASE/ UNPLUG/DESOLDER	ADJUSTMENT CONDITION
[1]	[1]	Guide Holder A	T	DM3	2(S-1)	
[2]	[1]	Cassette Holder Assembly	T	DM4		
[3]	[2]	Slider (SP)	T	DM5	*(L-1)	
[4]	[2]	Slider (TU)	T	DM5	*(L-2)	
[5]	[4]	Lock Lever	T	DM5	*(L-3),*(P-1)	
[6]	[2]	Cassette Plate	T	DM5		
[7]	[7]	Cylinder Assembly	T	DM1,DM6	Desolder, 3(S-2)	
[8]	[8]	Loading Motor Assembly	T	DM1,DM7	Desolder, LDG Belt, 2(S-3)	
[9]	[9]	AC Head Assembly	T	DM1,DM7	(S-4)	
[10]	[2]	Tape Guide Arm Assembly	T	DM1,DM8	*(P-2)	
[11]	[10]	C Door Opener	T	DM1,DM8	*(L-4)	
[12]	[11]	Pinch Arm (B)	T	DM1,DM8	*(P-3)	
[13]	[12]	Pinch Arm Assembly	T	DM1,DM8		
[14]	[14]	FE Head Assembly	T	DM1,DM9	(S-5)	
[15]	[15]	Prism	T	DM1,DM9	(S-6)	
[16]	[2],[15]	Sensor Gear	T	DM1,DM15		
[17]	[2]	Slider Shaft	T	DM10	*(L-5)	
[18]	[17]	C Drive Lever (SP)	T	DM10		
[19]	[17]	C Drive Lever (TU)	T	DM10	(S-7),*(P-4)	
[20]	[7],[8],[10]	Capstan Motor	B	DM2,DM11	3(S-8), Cap Belt	
[21]	[21]	Clutch Assembly	B	DM2,DM12	(C-1)	
[22]	[22]	Cam Holder (F)	B	DM2,DM12	*(L-6)	
[23]	[23]	Cam Gear (B)	B	DM2,DM12	(C-4), *(P-5)	
[24]	[24]	Mode Gear	B	DM2,DM13	(C-2)	
[25]	[21],[23],[24]	Mode Lever	B	DM2,DM13	(C-3), *(L-8)	
[26]	[22]	Worm Holder	B	DM2,DM13	(S-9),*(L-9),*(L-10)	
[27]	[26]	Pulley Assembly	B	DM2,DM13		
[28]	[25],[26]	Cam Gear (A)	B	DM2,DM13		
[29]	[25]	Idler Gear	B	DM1,DM14		
[30]	[29]	Idler Arm	B	DM1,DM14	*(L-11)	

Top View

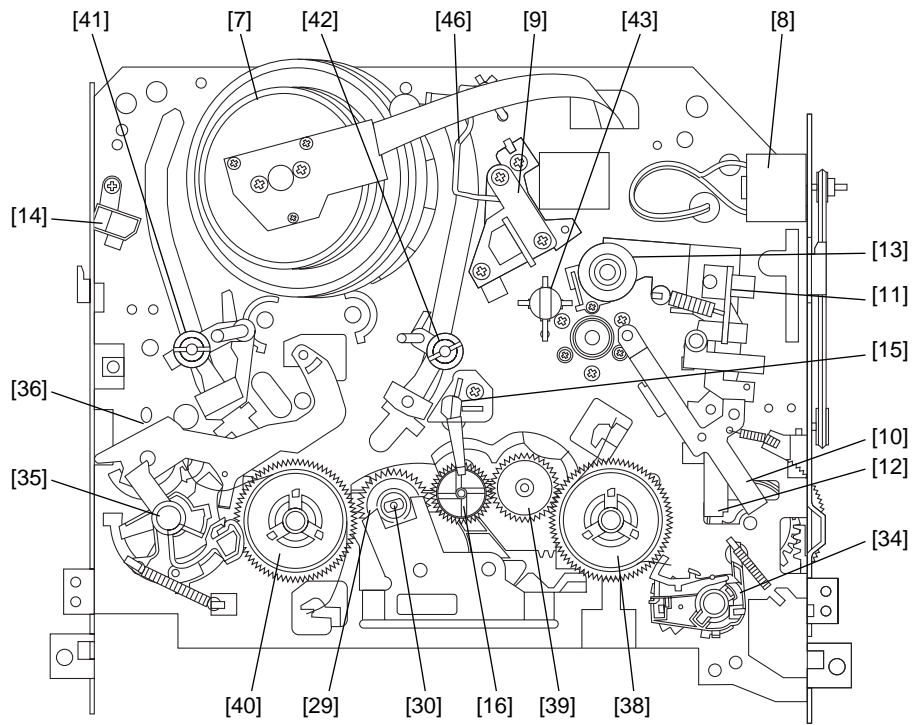


Fig. DM1

Bottom View

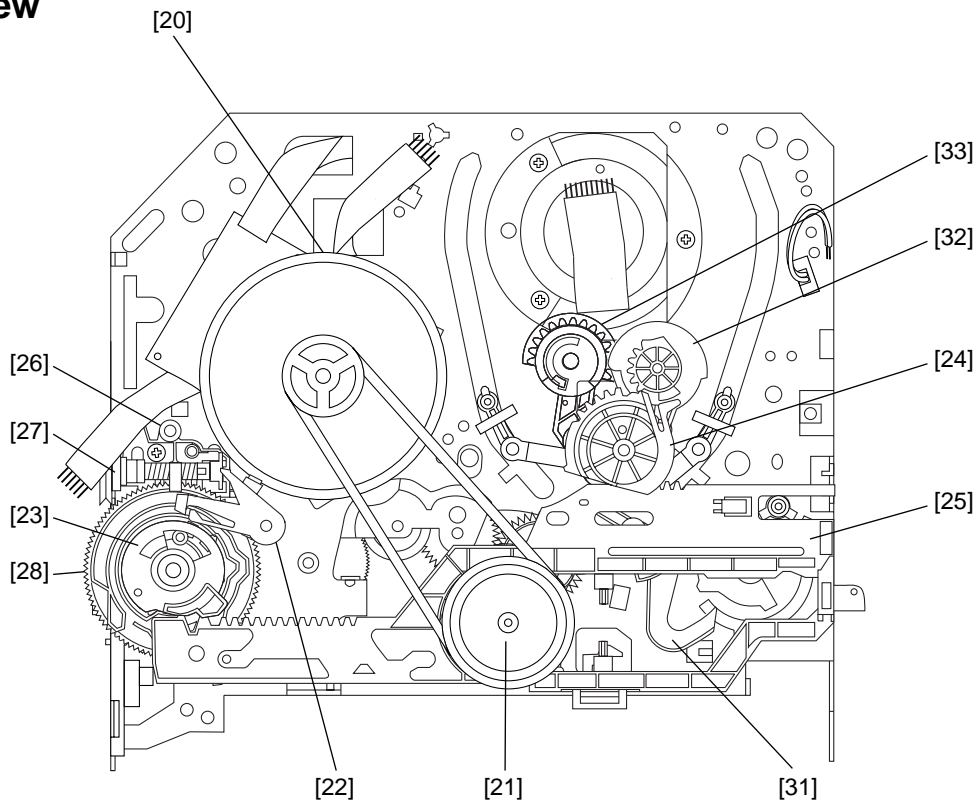


Fig. DM2

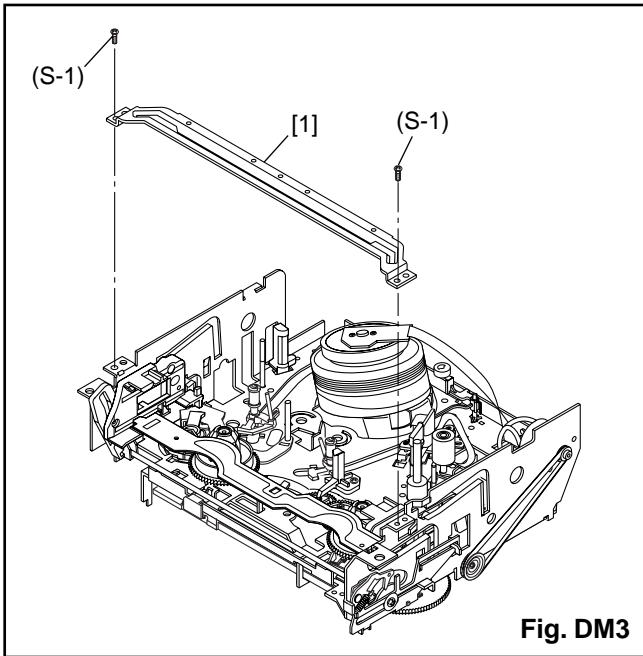


Fig. DM3

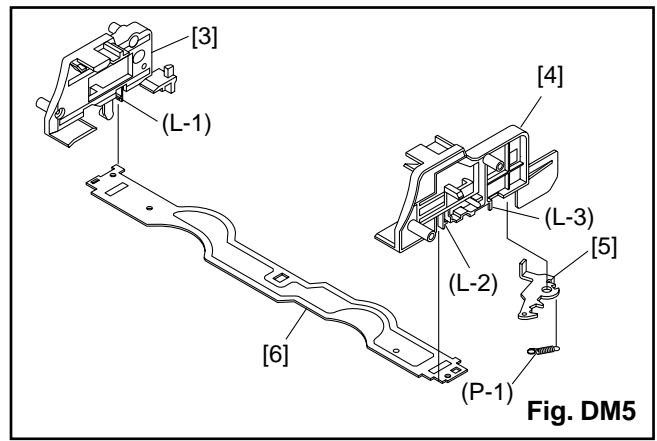


Fig. DM5

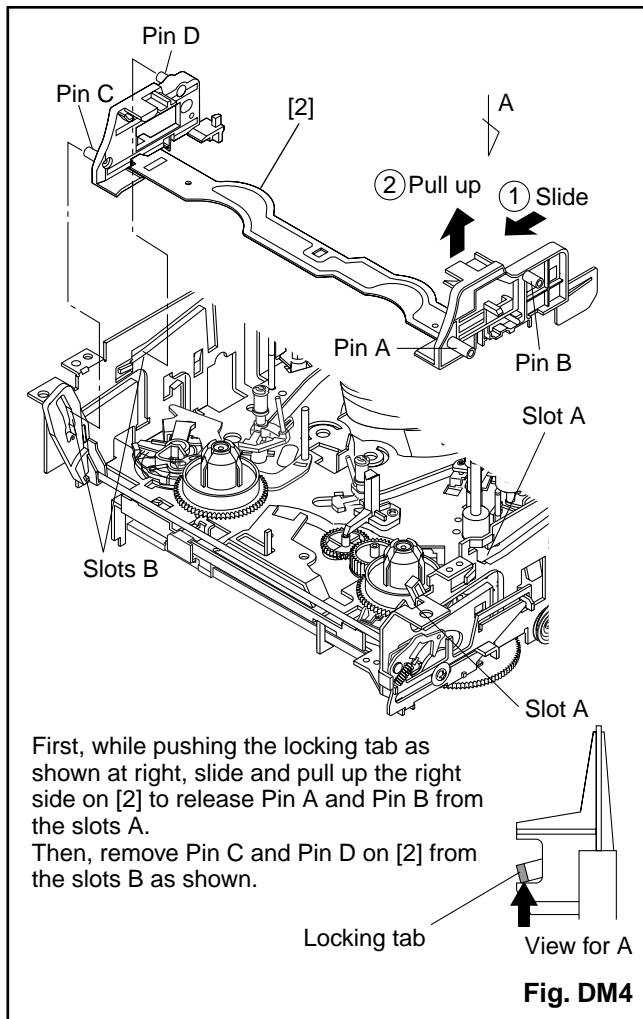


Fig. DM4

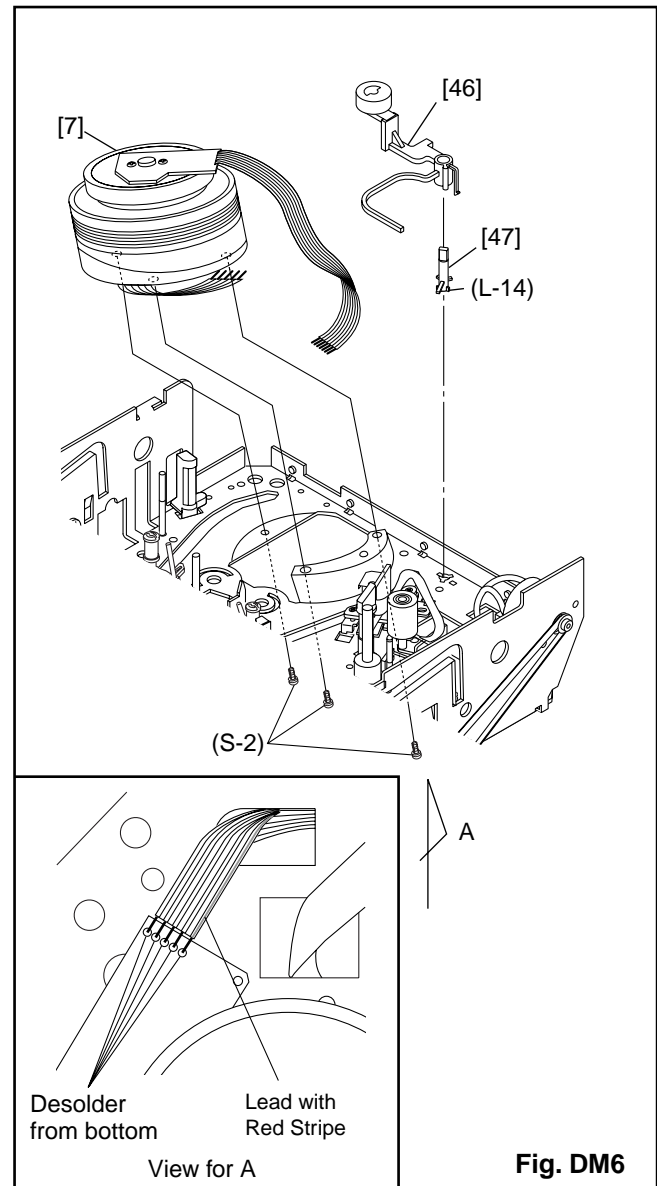
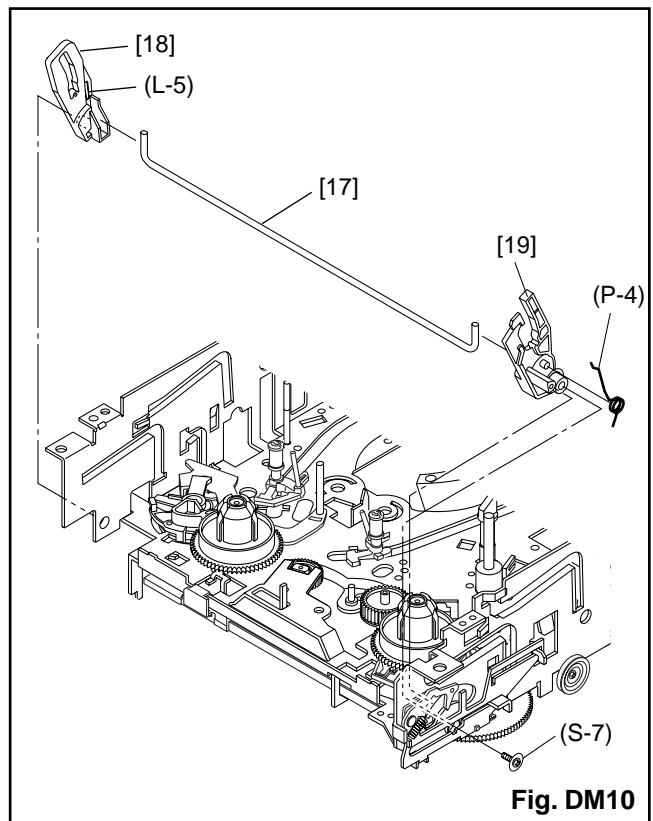
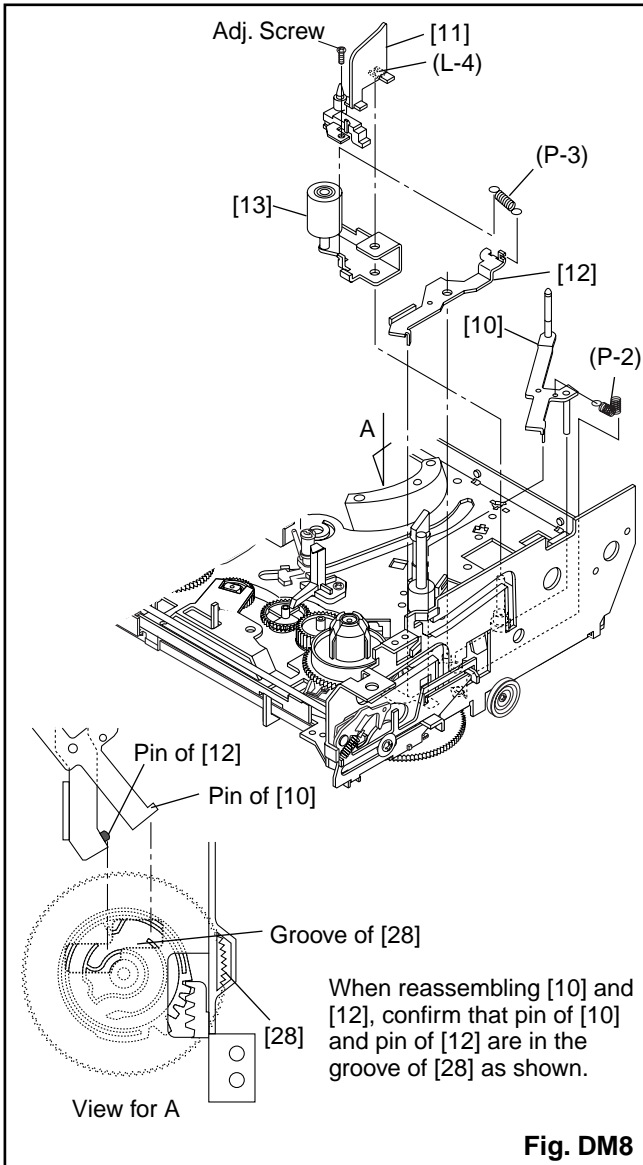
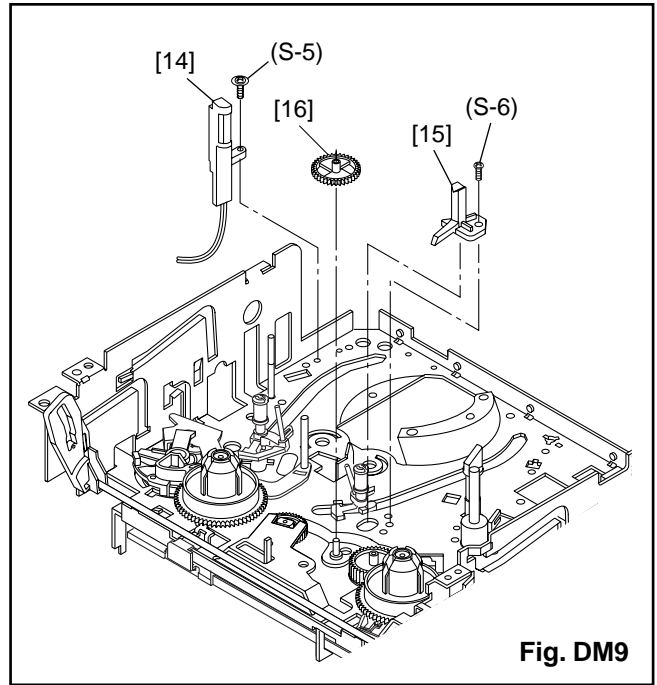
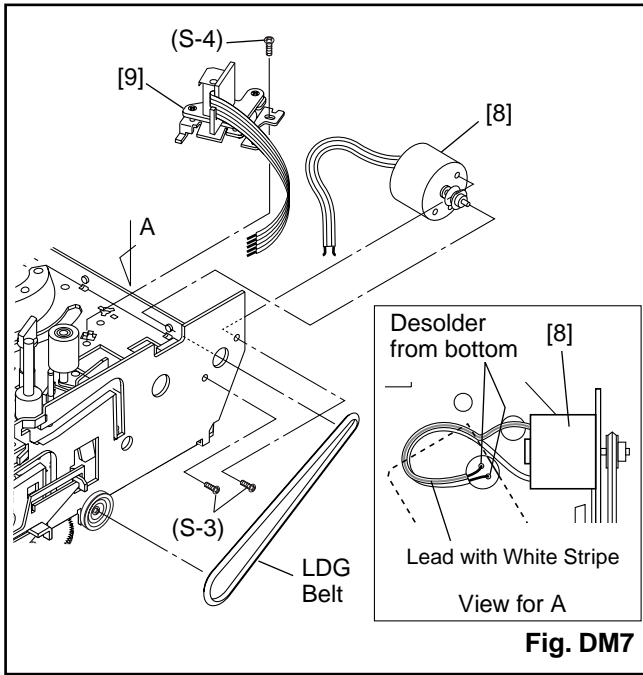
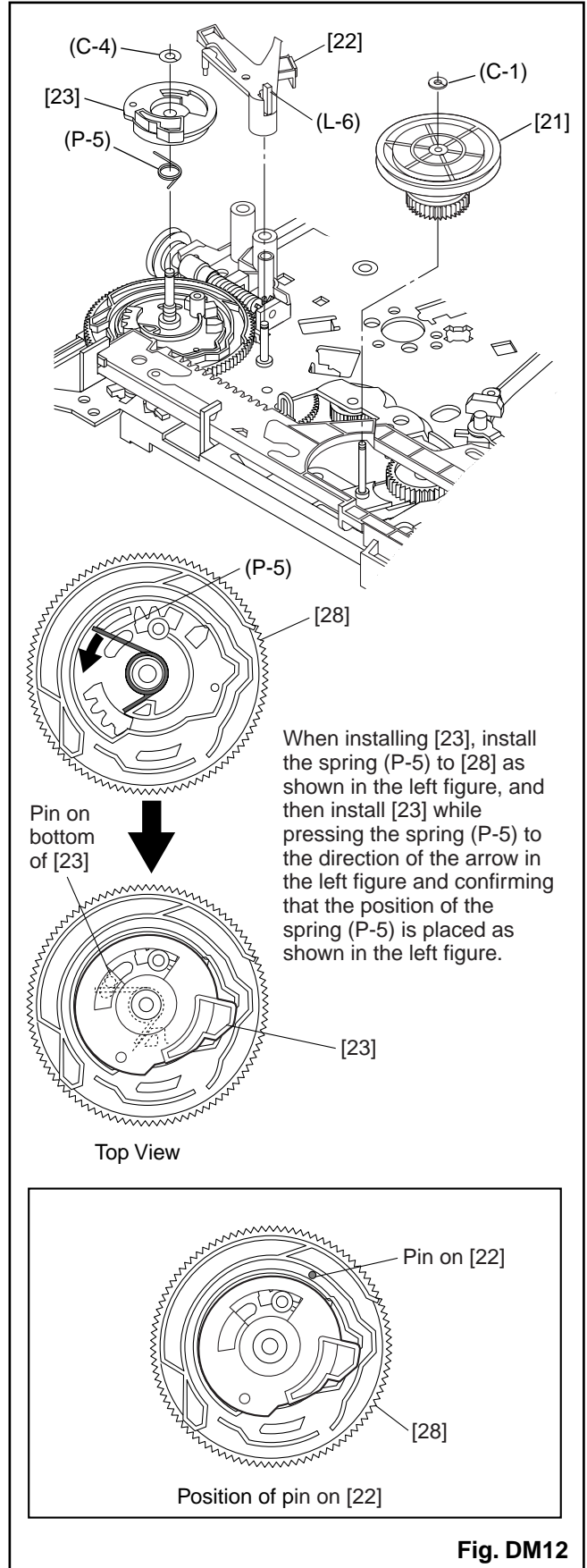
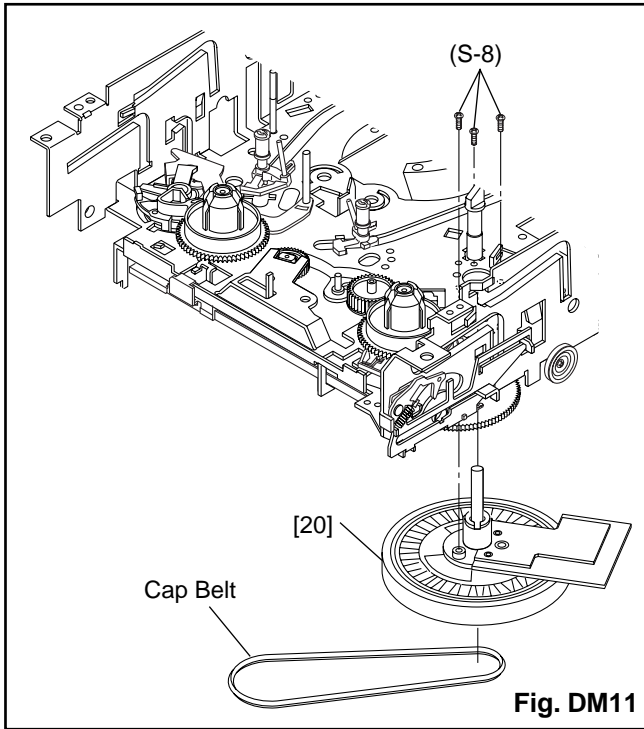


Fig. DM6





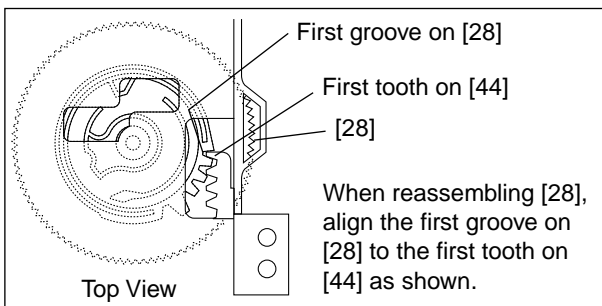
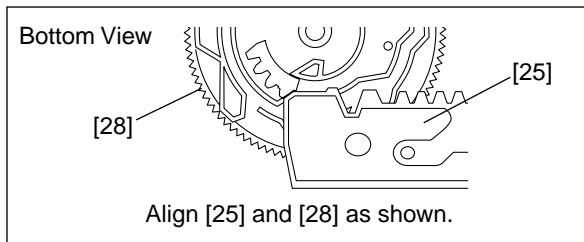
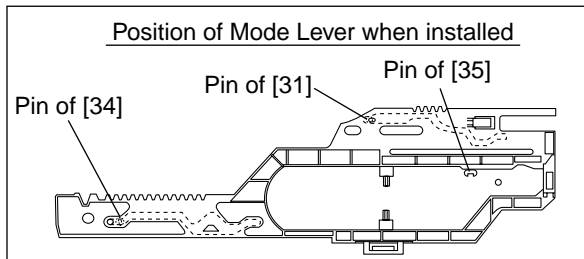
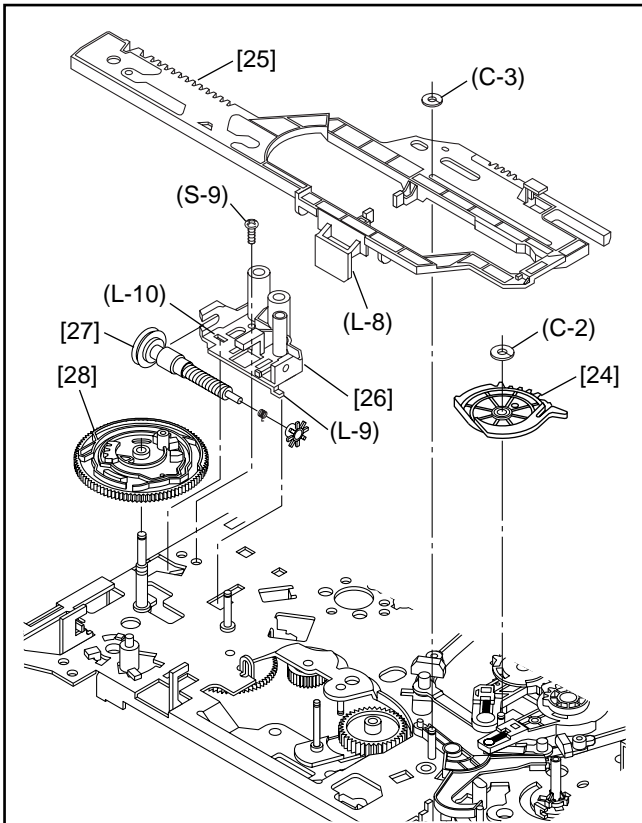


Fig. DM13

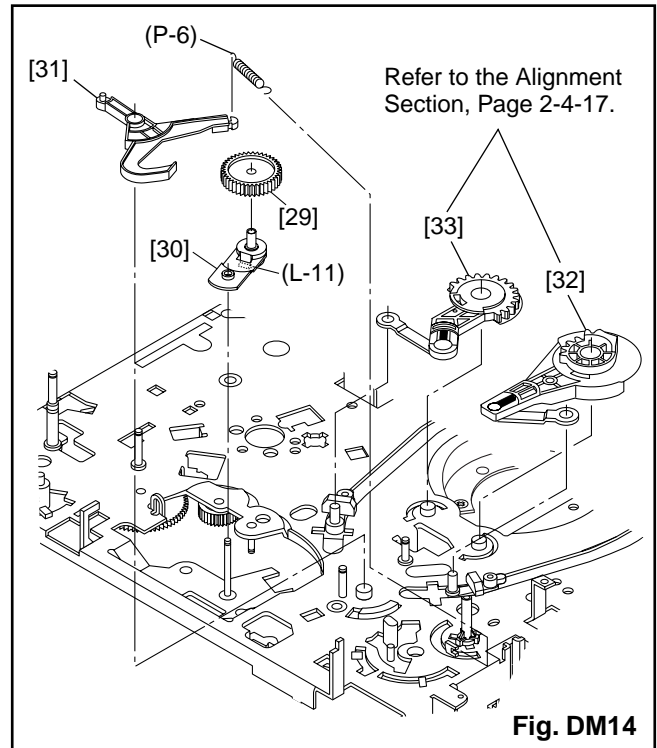


Fig. DM14

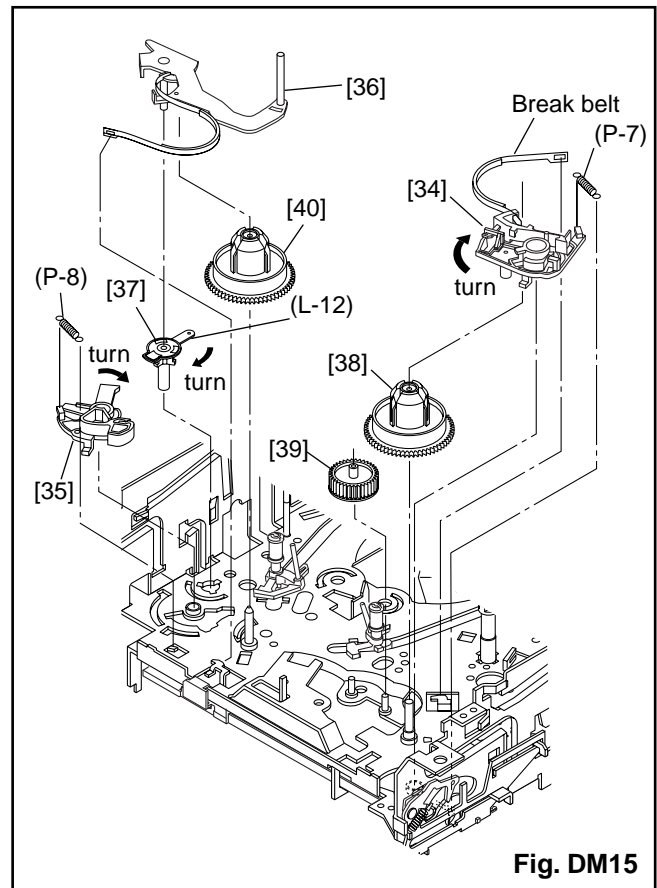
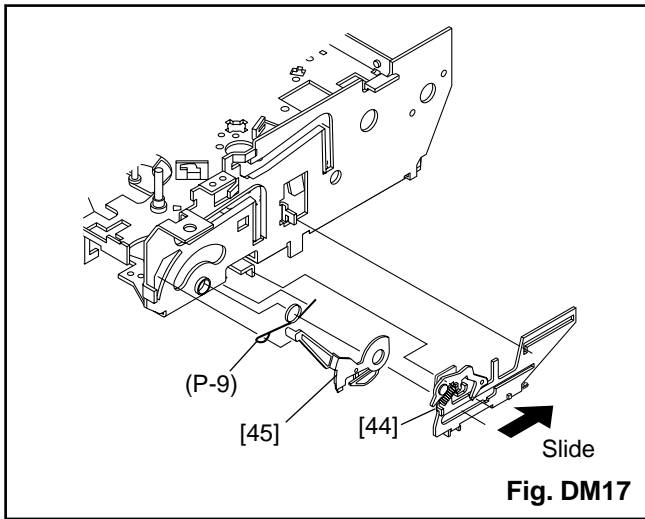
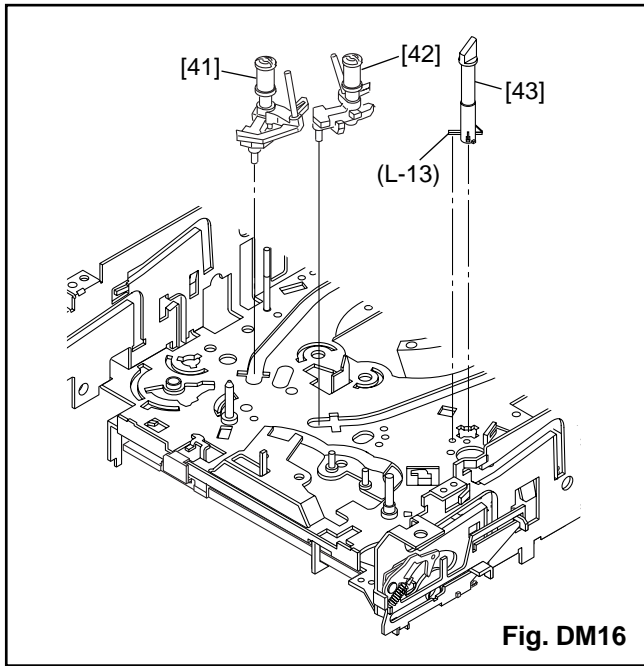


Fig. DM15



ALIGNMENT PROCEDURES OF MECHANISM

[14PV120/07, 14PV125/ (01, 07, 39, 58), 14PV225/ (01, 07, 39, 58), 14PV422/ (01, 07, 39, 58), 14PV425/07]

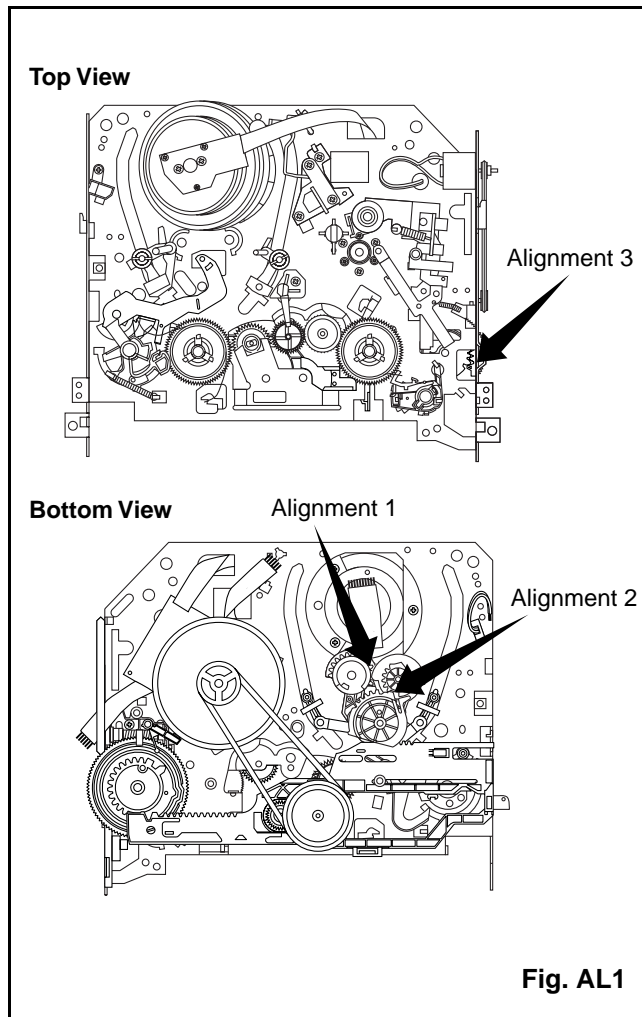
The following procedures describe how to align the individual gears and levers that make up the tape loading/unloading mechanism. Since information about the state of the mechanism is provided to the System Control Circuit only through the Mode Switch, it is essential that the correct relationship between individual gears and levers be maintained.

All alignments are to be performed with the mechanism in Eject mode, in the sequence given. Each procedure assumes that all previous procedures have been completed.

IMPORTANT:

If any one of these alignments is not performed properly, even if off by only one tooth, the unit will unload or stop and it may result in damage to the mechanical or electrical parts.

Alignment points in Eject Position



Alignment 1

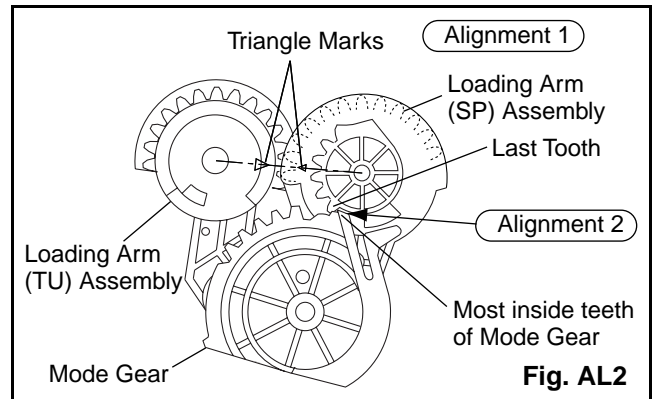
Loading Arm (SP) and (TU) Assembly

Install Loading Arm (SP) and (TU) Assembly so that their triangle marks point to each other as shown in Fig. AL2.

Alignment 2

Mode Gear

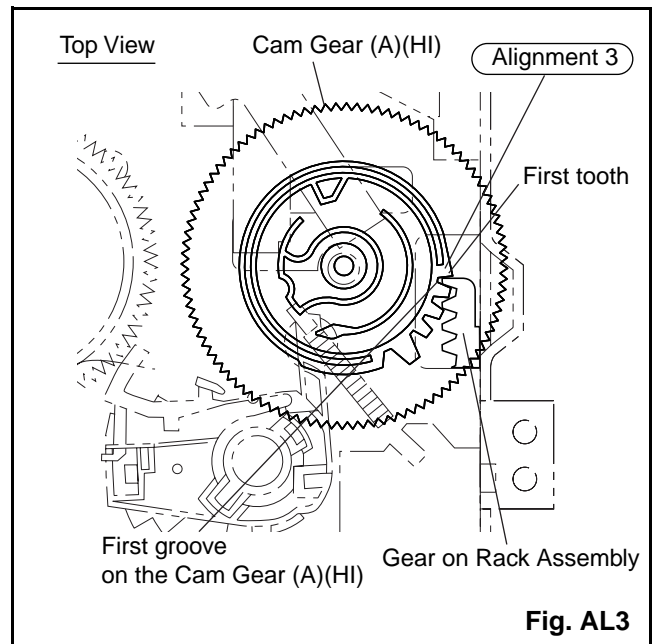
Keeping the two triangles pointing at each other, install the Loading Arm (TU) Assembly so that the last tooth of the gear meets the most inside teeth of the Mode Gear. See Fig. AL2.



Alignment 3

Cam Gear (A), Rack Assembly

Install the Rack Assembly so that the first tooth on the gear of the Rack Assembly meets the first groove on the Cam Gear (A) as shown in Fig. AL3.

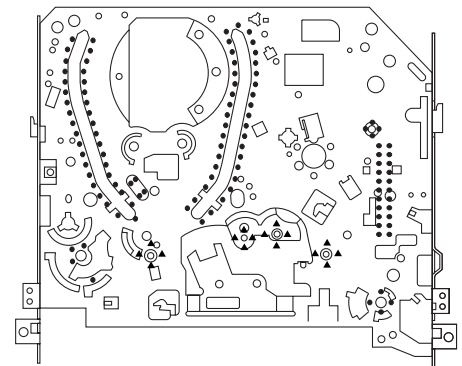
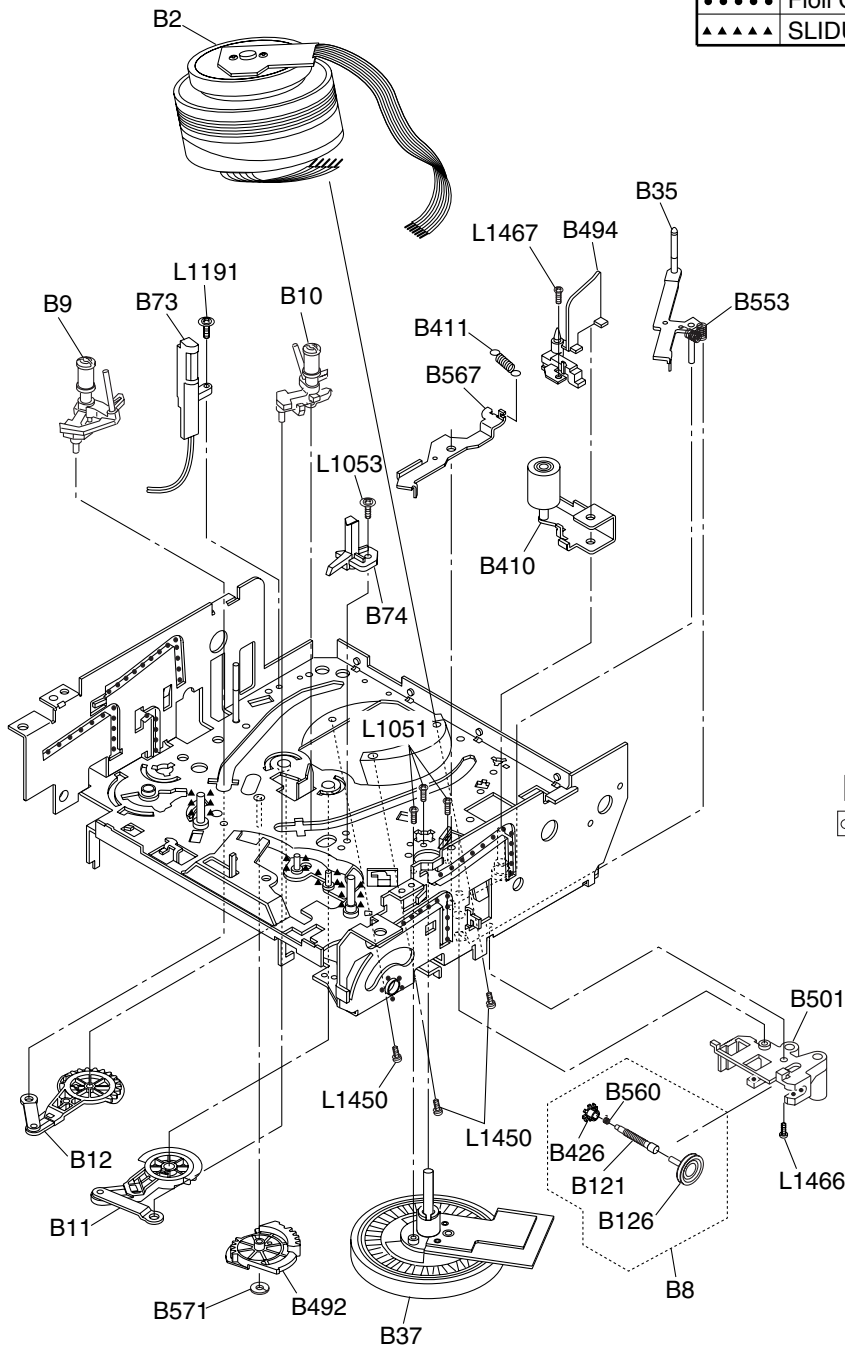


DECK EXPLODED VIEWS

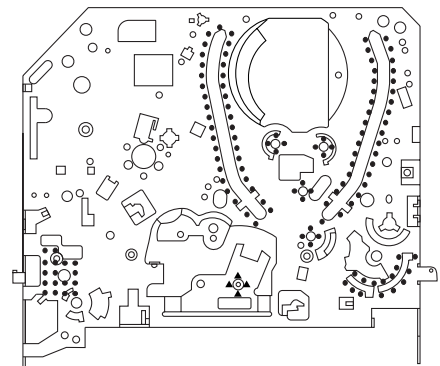
[14PV120/07, 14PV125/ (01, 07, 39, 58), 14PV225/ (01, 07, 39, 58),
14PV422/ (01, 07, 39, 58), 14PV425/07]

Deck Mechanism View 1

Mark	Description
•••••	Foil G-684G or Multemp MH-D (Blue grease)
▲▲▲▲▲	SLIDUS OIL #150



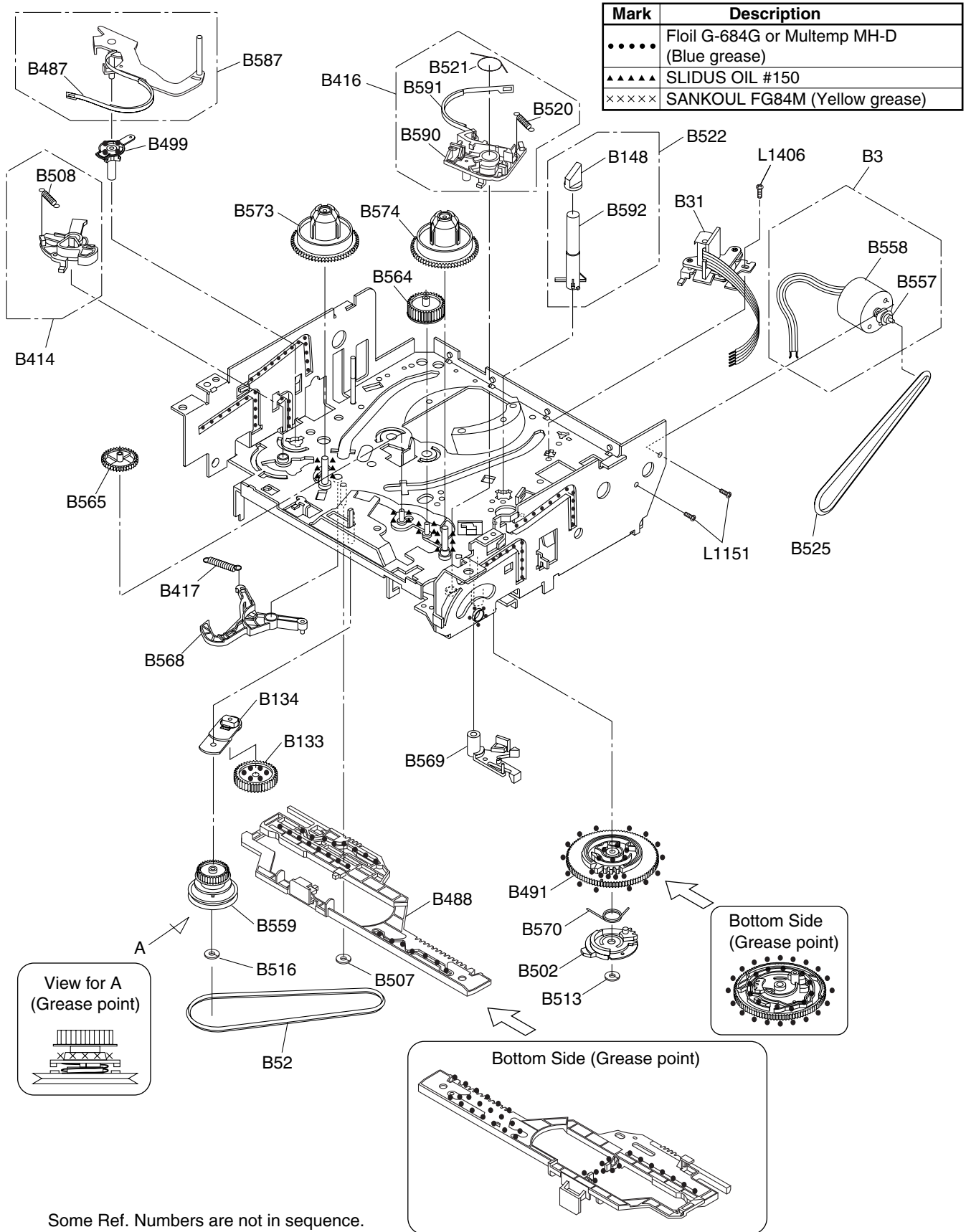
Chassis Assembly
Top View (Lubricating Point)



Chassis Assembly
Bottom View (Lubricating Point)

Some Ref. Numbers are not in sequence.

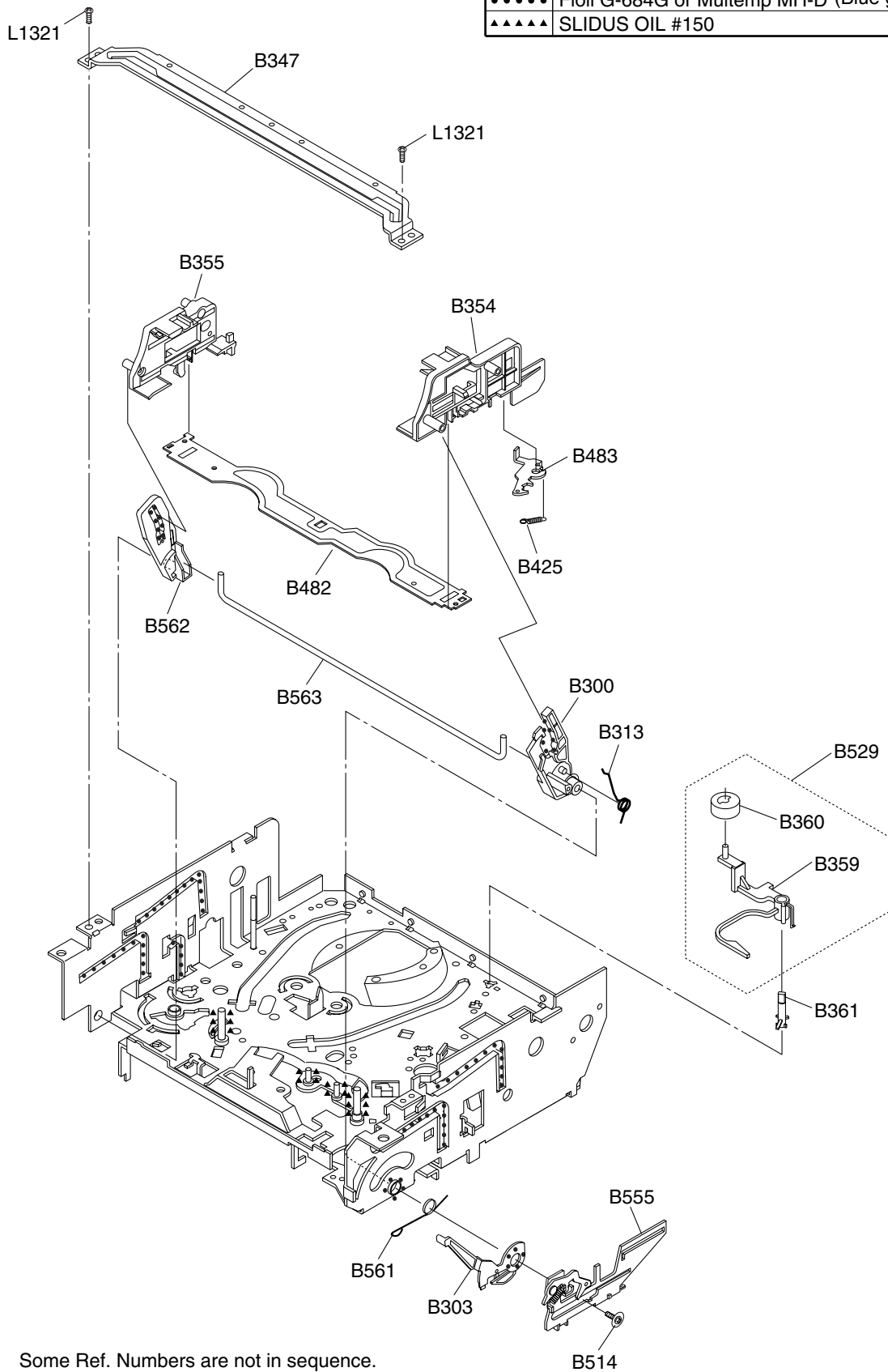
Deck Mechanism View 2



Some Ref. Numbers are not in sequence.

Deck Mechanism View 3

Mark	Description
•••••	Floil G-684G or Multemp MH-D (Blue grease)
▲▲▲▲▲	SLIDUS OIL #150



DECK PARTS LIST		
Pos.	▲ 12 NC	Description
B2	996500017189	CYLINDER ASS. MK12 PAL 2HD 2SP
B3	996500017217	LOADING MOTOR
B8	996500017191	PULLEY ASS. MK12
B9	996500016632	MOVING GUIDE S PREP. MK12
B10	996500016633	MOVING GUIDE T PREP. MK12
B11	996500016634	LOADING ARM(TU) ASS. MK12
B12	996500016635	LOADING ARM(SP) ASS. MK12
B31	996500018127	AC HEAD ASS. MK12(TVCR)
B35	996500016637	TAPE GUIDE ARM ASS. MK12
B37	996500017192	CAPSTAN MOTOR
B52	996500008593	CAP BELT MK10
B73	996500012210	FE HEAD ASS. MK11
B74	996500008555	PRISM MK10
B121	996500016640	WORM MK12
B126	996500018128	PULLEY MK12
B133	996500017193	IDLER GEAR MK12
B134	996500017194	IDLER ARM MK12
B148	996500012368	TG CAP MK11
B300	996500016643	C DRIVE LEVER(TU) MK12
B303	996500018129	F DOOR OPENER MK12
B313	996500016645	C DRIVE SPRING MK12
B347	996500008445	GUIDE HOLDER A MK10
B354	996500018130	SLIDER(TU) MK12
B355	996500016647	SLIDER(SP) MK12
B359	996500008449	CLEANER LEVER MK10
B360	996500006561	CLEANER ROLLER MK9
B361	996500008450	CL POST MK10
B410	996500016648	PINCH ARM(A) ASS.(4) MK12
B411	996500016649	PINCH SPRING MK12
B414	996500017195	M BRAKE(SP) ASS. MK12
B416	996500017196	M BRAKE(TU) ASS. MK12
B417	996500017197	TENSION SPG(3002654) MK12
B425	996500008457	LOCK LEVER SPRING MK10
B426	996500008458	KICK PULLEY MK10
B482	996500016653	CASSETTE PLATE MK12
B483	996500016654	LOCK LEVER MK12
B487	996500016655	BAND BRAKE(SP) MK12
B488	996500017198	MODE LEVER MK12
B491	996500017199	CAM GEAR(A) MK12
B492	996500016658	MODE GEAR MK12
B494	996500016659	C DOOR OPENER MK12
B499	996500016660	T LEVER HOLDER MK12
B501	996500016661	WORM HOLDER MK12
B502	996500017200	CAM GEAR(B) MK12
B507	996500005342	REEL WASHER MK9 5*2.1*0.5
B508	996500008470	S BRAKE SPRING MK10
B513	996500017201	CAM WASHER MK12
B514	996500008641	SCREW RACK MK10
B516	996500005342	REEL WASHER MK9 5*2.1*0.5
B520	996500017202	TU BRAKE SPRING MK12
B521	996500016662	REV BRAKE SPRING MK12
B522	996500012373	TG POST ASS. MK11

DECK PARTS LIST		
Pos.	▲ 12 NC	Description
B525	996500012230	LDG BELT MK11
B529	996500008504	CLEANER ASS. MK10
B553	996500012233	REV SPRING MK11
B555	996500016663	RACK ASS. MK12
B557	996500008519	MOTOR PULLEY U5
B558	996500018131	LOADING MOTOR
B559	996500017204	CLUTCH ASS. MK12
B560	996500008522	KICK SPRING MK10
B561	996500008523	F DOOR SPRING MK10
B562	996500016665	C DRIVE LEVER(SP) MK12
B563	996500016666	SLIDER SHAFT MK12
B564	996500017205	M GEAR MK12
B565	996500017206	SENSOR GEAR MK12
B567	996500016669	PINCH ARM(B) MK12
B568	996500016670	BT ARM MK12
B569	996500017207	CAM HOLDER(F) MK12
B570	996500012240	CAM RACK SPRING(HI) MK11
B571	482253213159	P.S.W CUT 1.6X4.0X0.5T
B573	996500017208	REEL(SP)(D2) MK12
B574	996500017209	REEL(TU)(D2) MK12
B587	996500016674	TENSION LEVER ASS. MK12
B590	996500018132	BRAKE ARM(TU) MK12
B591	996500017210	BAND BRAKE(TU) MK12
B592	996500017211	TG POST MK11
L1051	996500005359	SCREW, B-TIGHT M2.6X6 PAN HEAD+
L1053	996500005375	SCREW, S-TIGHT M2.6X8 WASHER HEAD+
L1151	482250214013	SCREW, SEMS M3X4 PAN HEAD +
L1191	996500005375	SCREW, S-TIGHT M2.6X8 WASHER HEAD+
L1321	482250214009	SCREW, S-TIGHT M3X6 BIND HEAD+
L1406	996500008643	AC HEAD SCREW MK9
L1450	482250214671	SCREW, SEMS M2.6X5 PAN HEAD+
L1466	996500005364	SCREW, S-TIGHT M2.6X6 BIND HEAD+
L1467	996500012251	SCREW, S-TIGHT M2.6X5 WASHER HEAD+