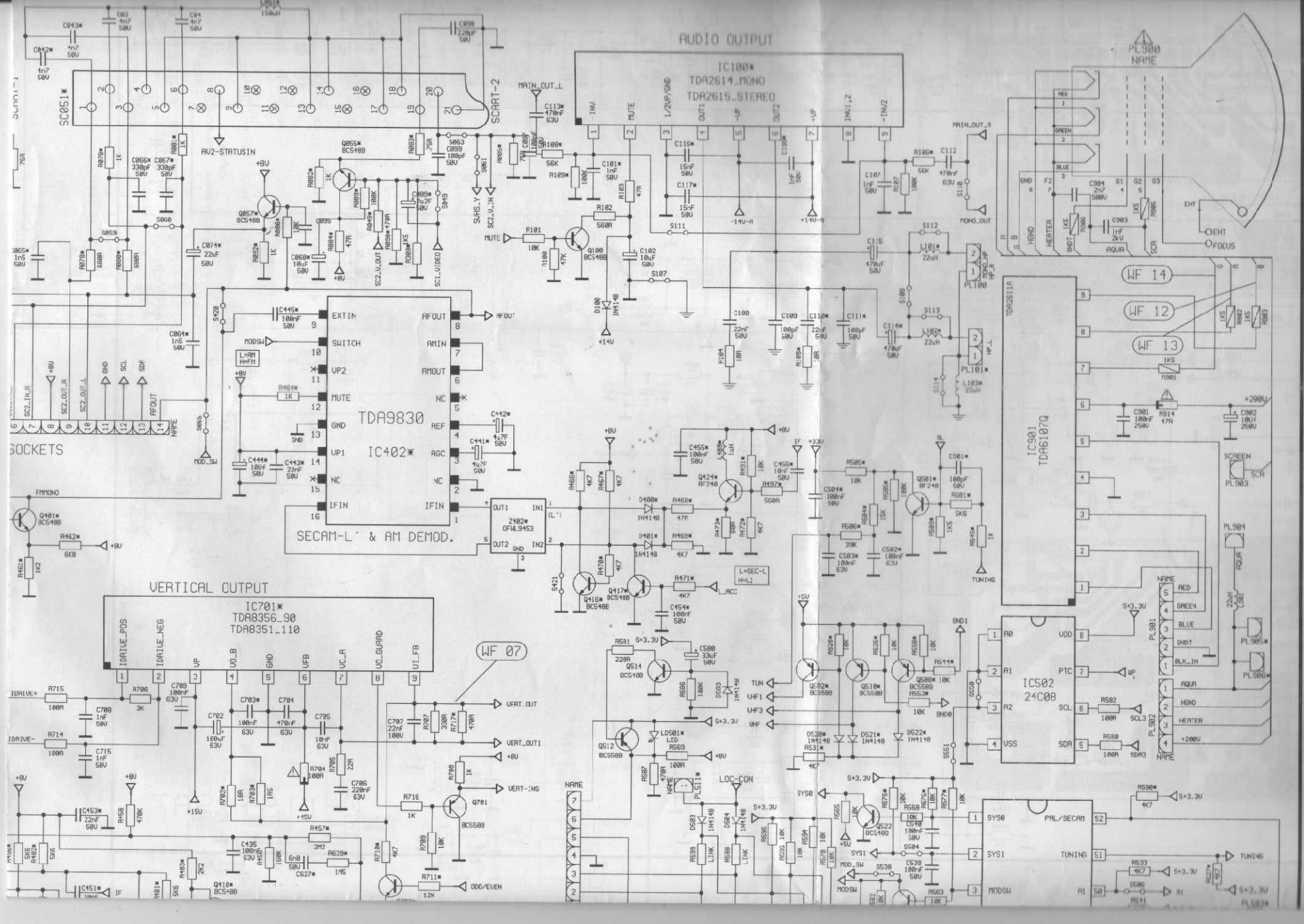
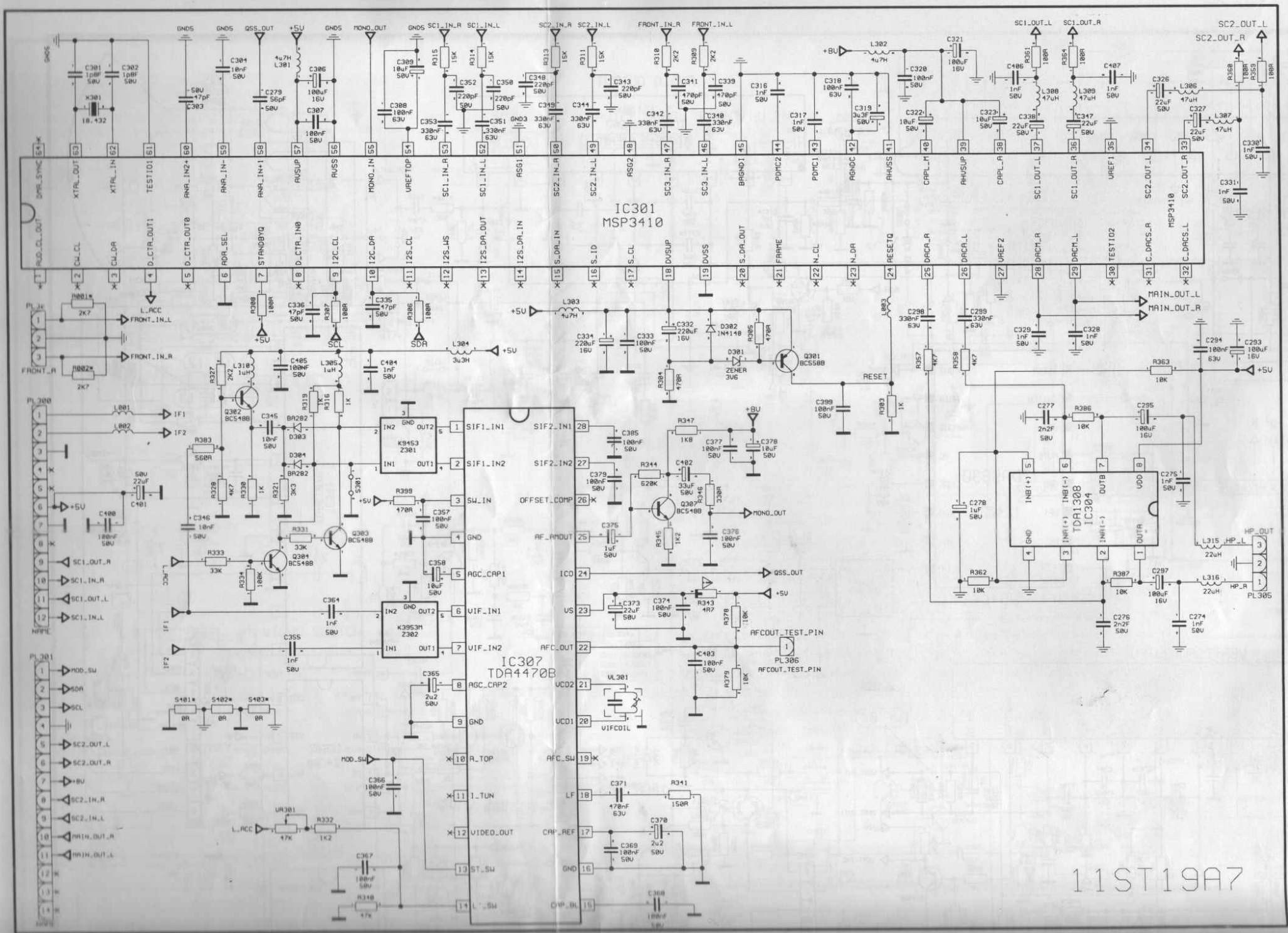


11AK19P5
CIRCUIT DIAGRAM

TEXT & CONTROLLER



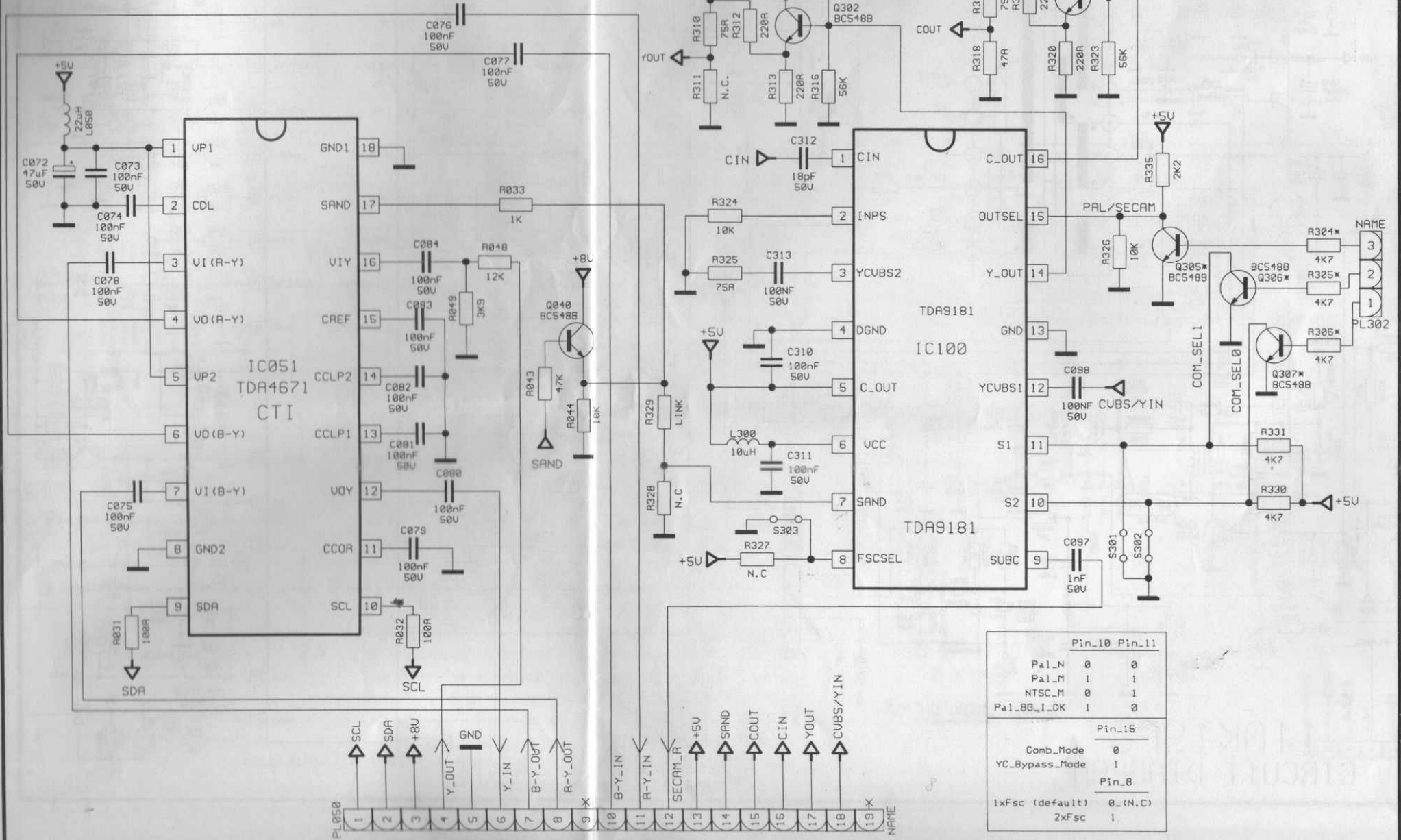


IC301
MSP3410

IC307
TDA4470B

11ST19A7

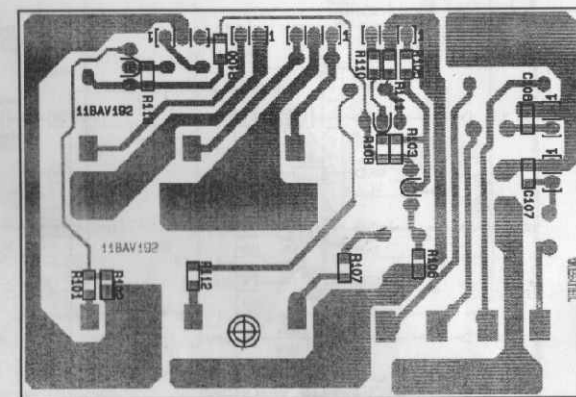
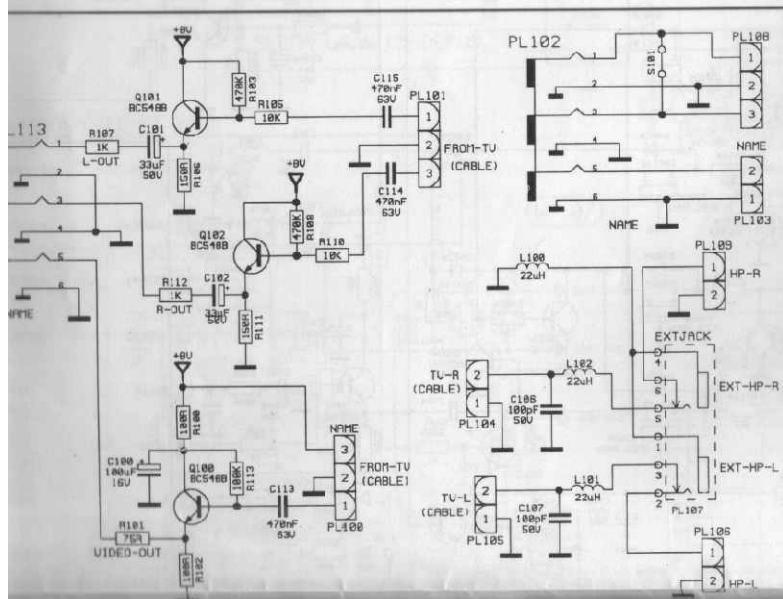
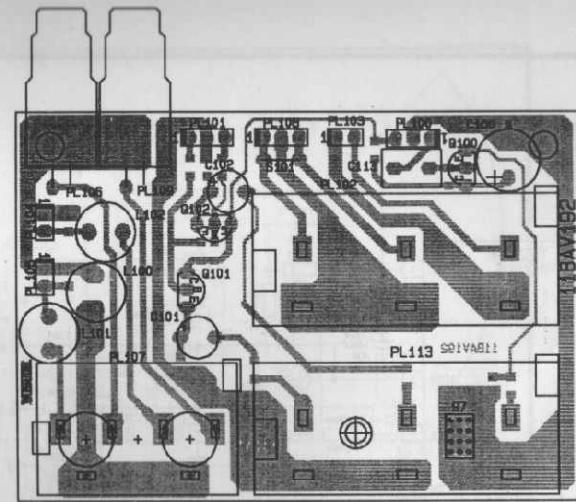
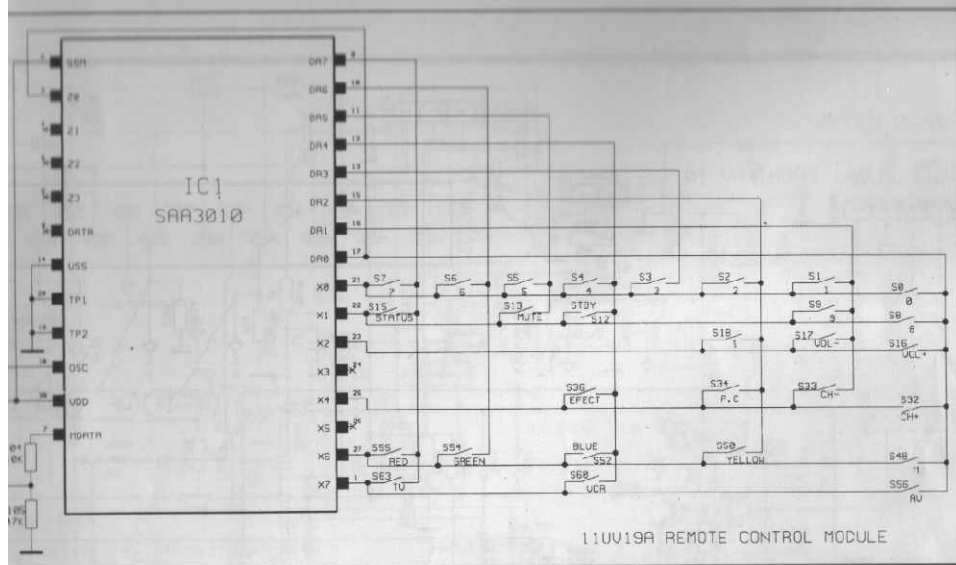
11CTFI9-2 CTI+COMB FILTER MODULE



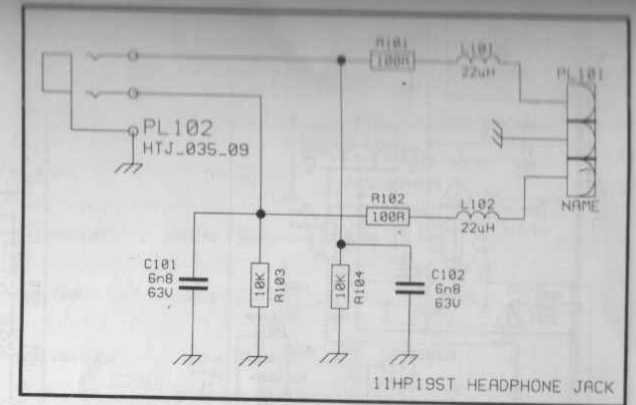
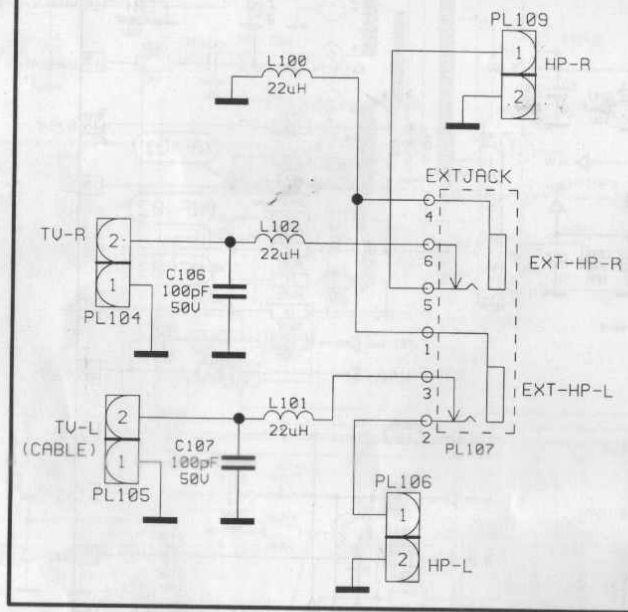
	Pin_10	Pin_11
Pal_N	0	0
Pal_M	1	1
NTSC_M	0	1
Pal_BG_I_DK	1	0

	Pin_15
Comb_Mode	0
YC_Bypass_Mode	1

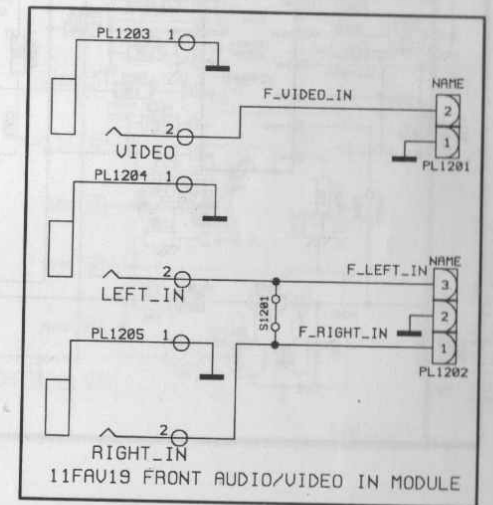
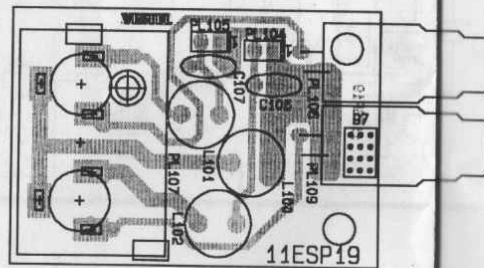
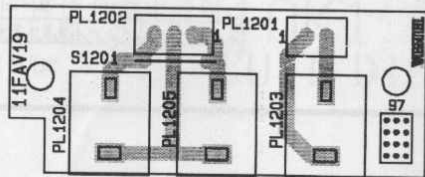
	Pin_8
1xFsc (default)	0 (N.C)
2xFsc	1



11ESP19
11AK19 EXTERNAL SPEAKER PCB



11HP19ST HEADPHONE JACK



RIGHT_IN
11FAV19 FRONT AUDIO/VIDEO IN MODULE

