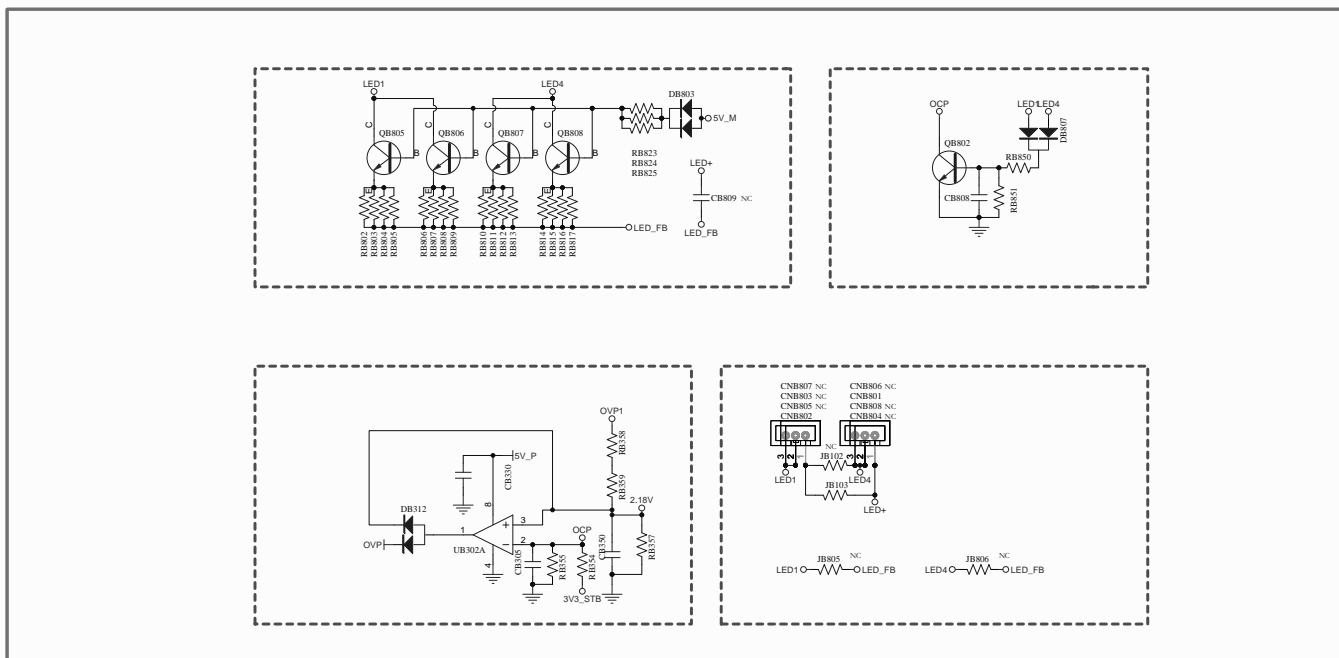
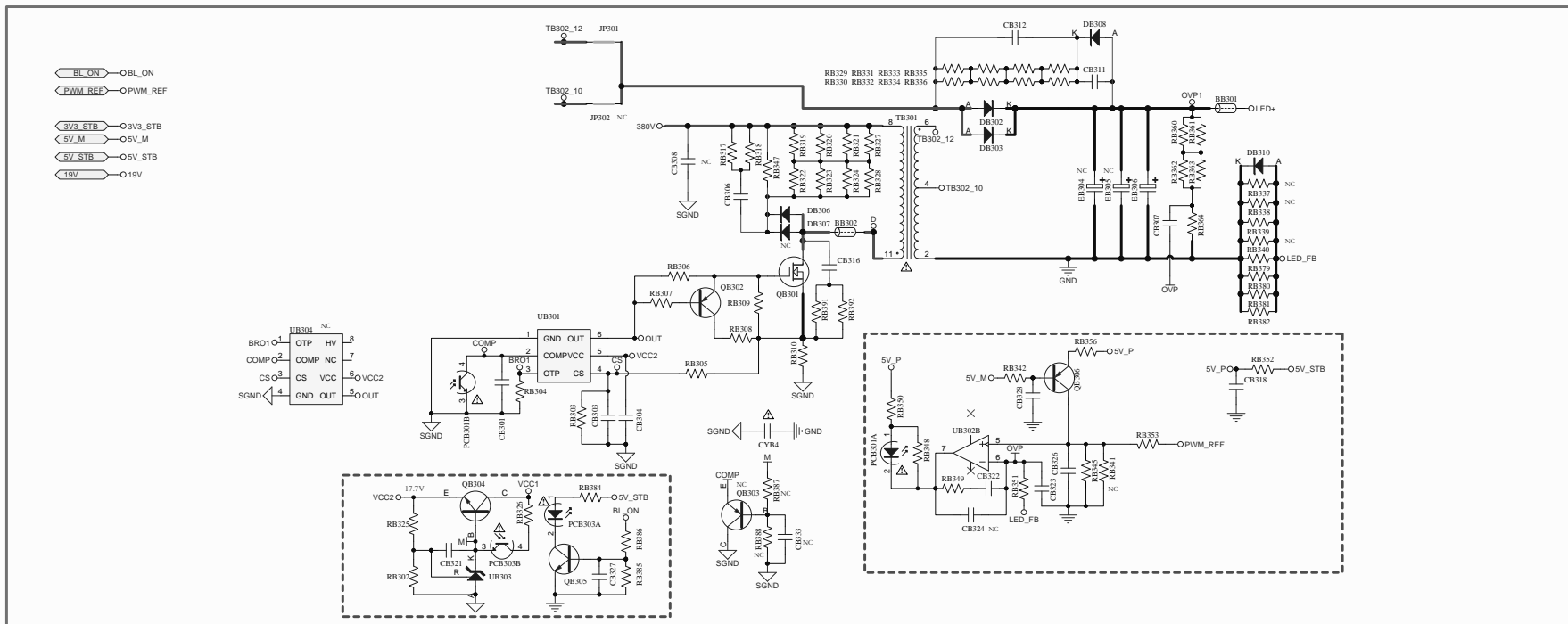


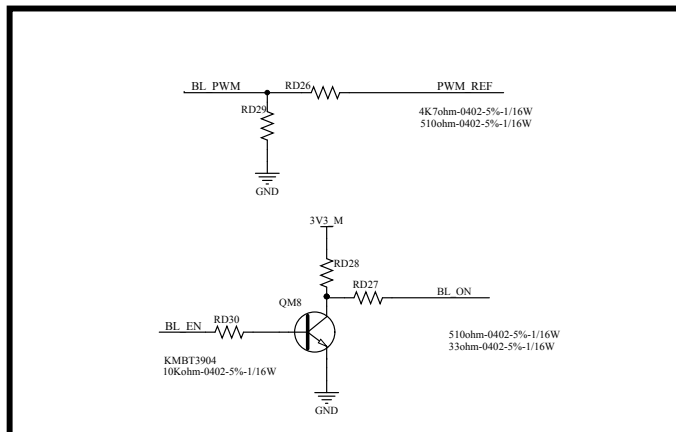
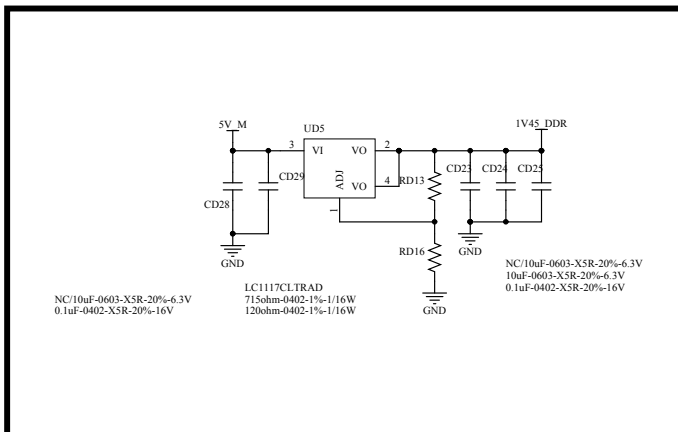
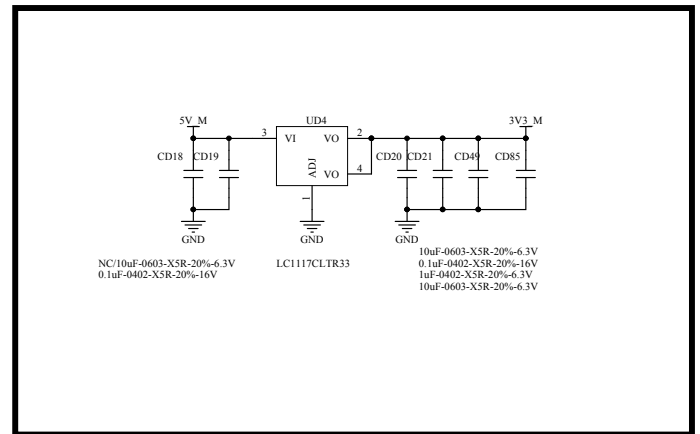
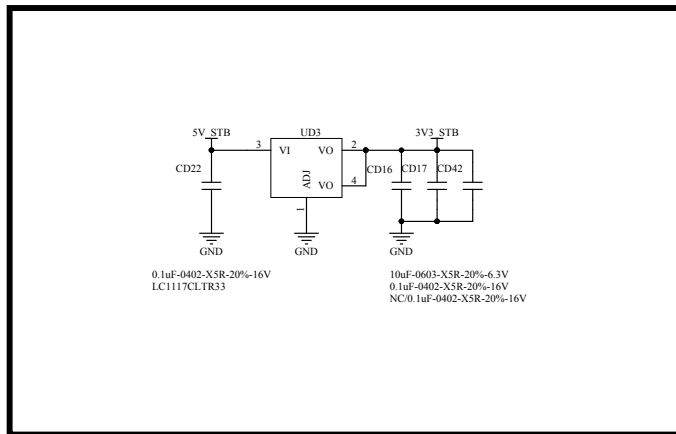
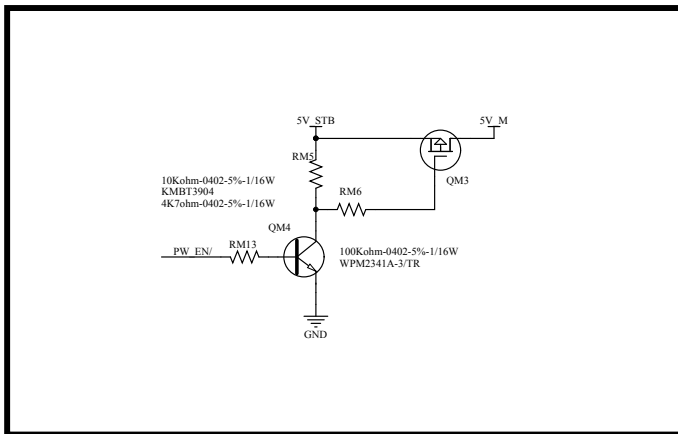
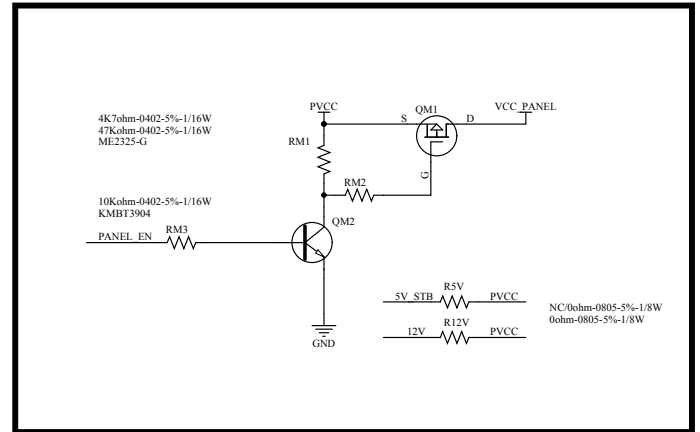
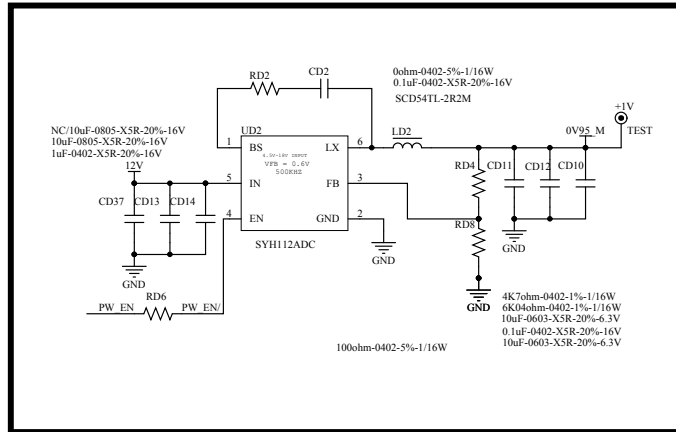
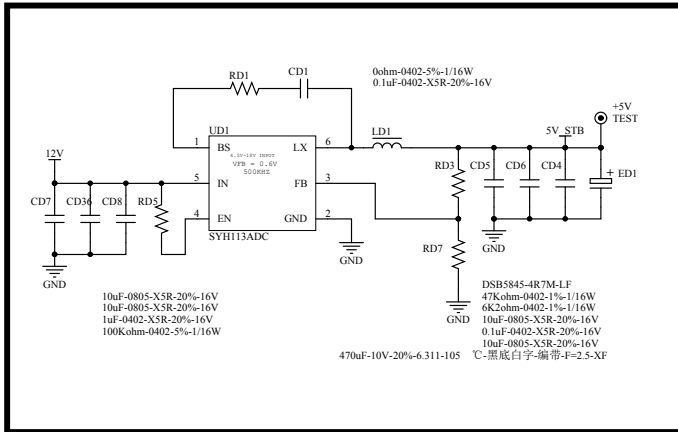
Model Name:	TP-S506-PC321		
DRAWN:	Ma Fengqi	DATE:	2014.12.23
VERSION:	V1.0		
CHKD:		DATE:	
APPD:		DATE:	

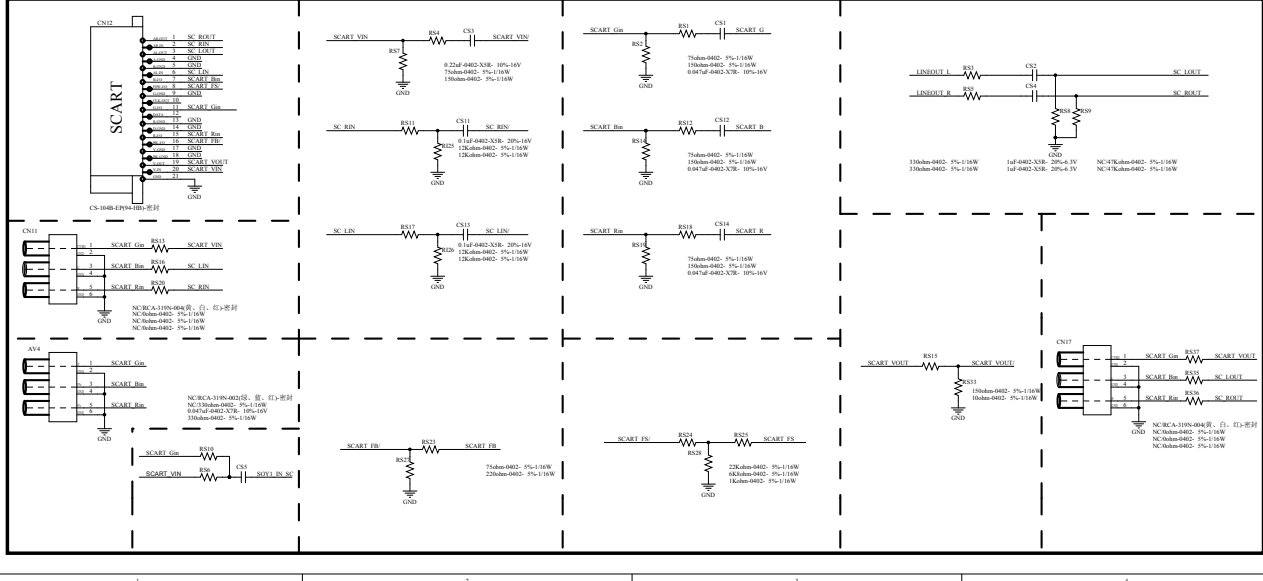
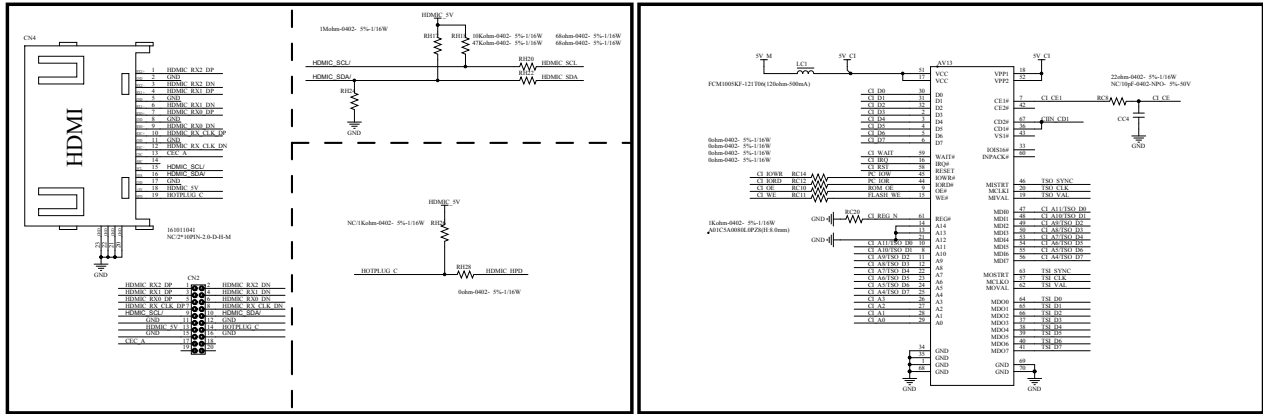
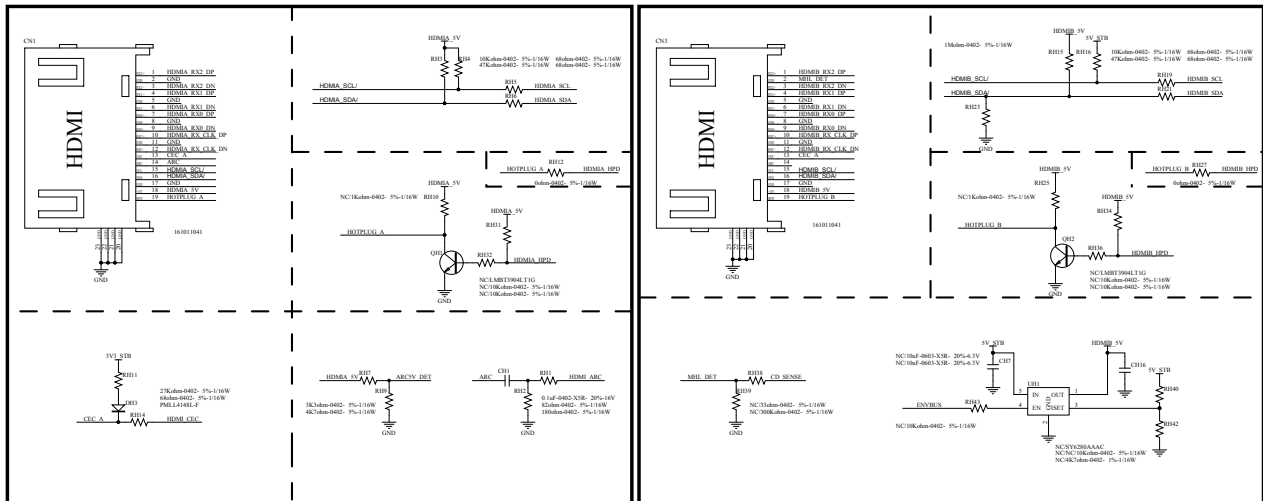


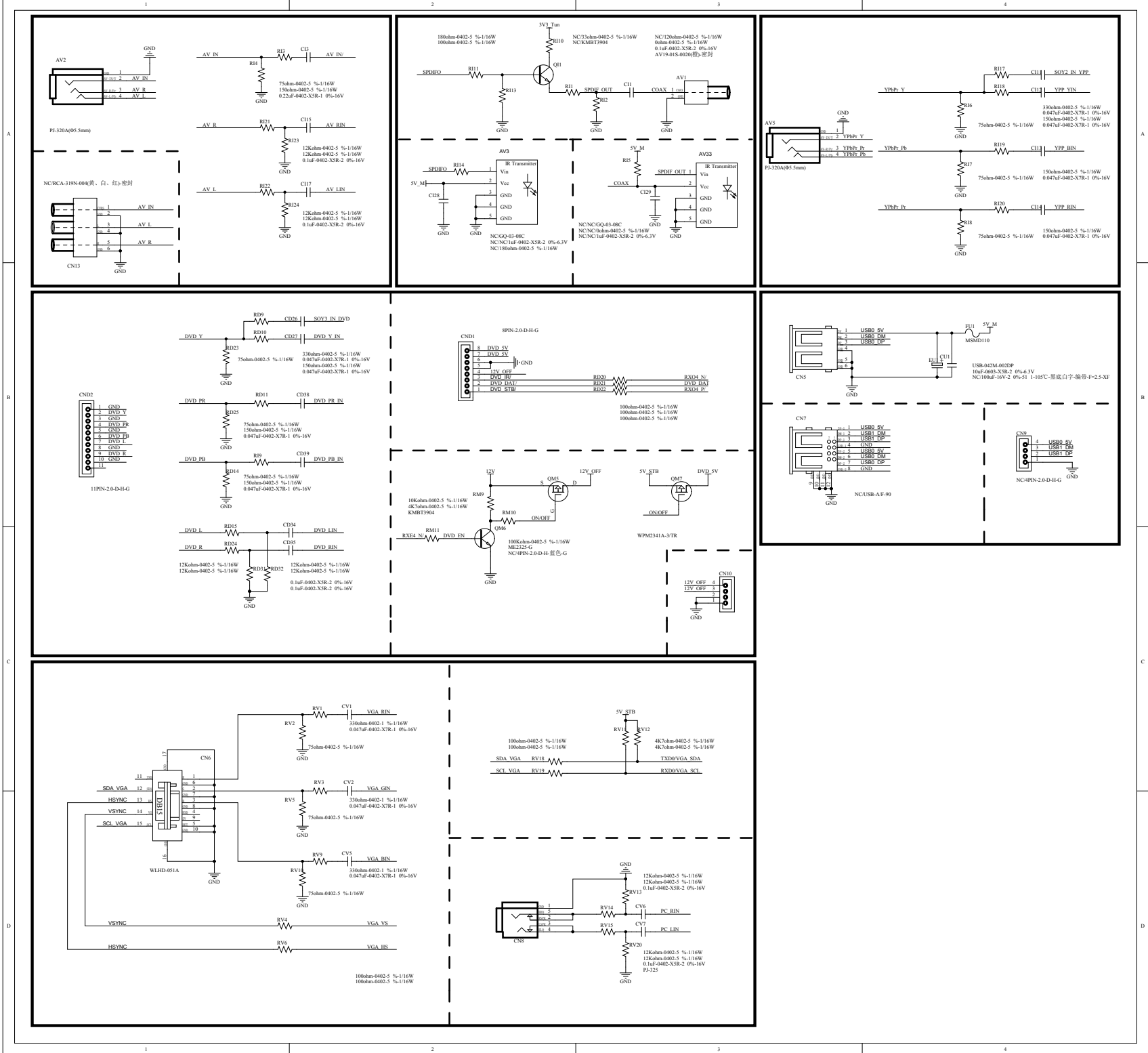


Model Name:	TP-5506-PCB21		
DRAWN:	Ma Fengqi	DATE:	2014.12.23
CHKD:		DATE:	
APPD:		DATE:	
		VERSION:	V1.0











1

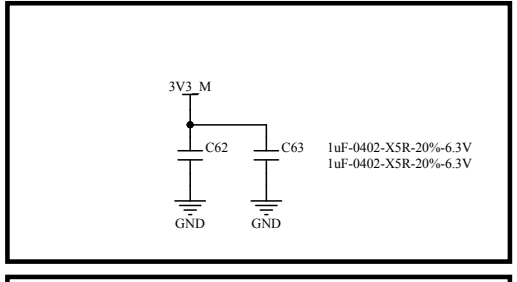
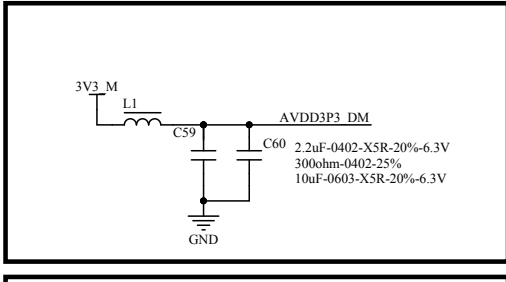
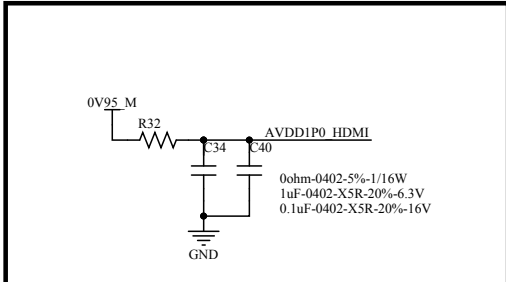
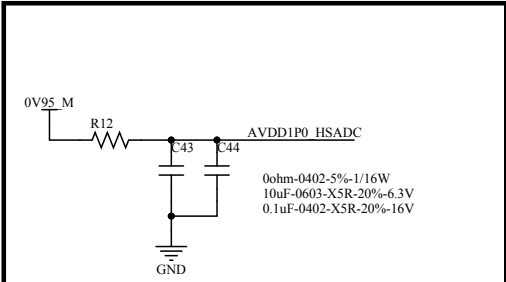
2

3

4

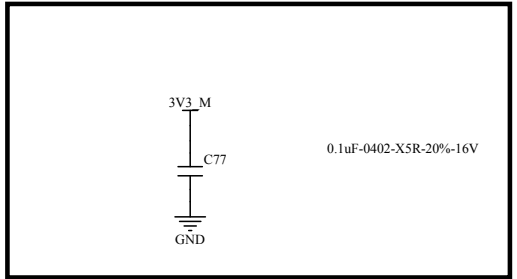
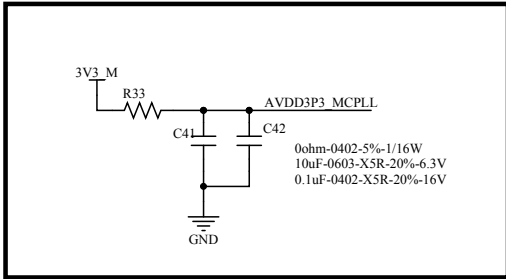
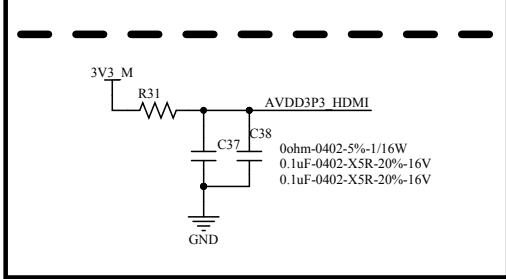
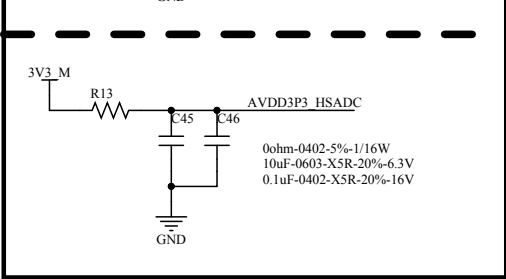
A

A



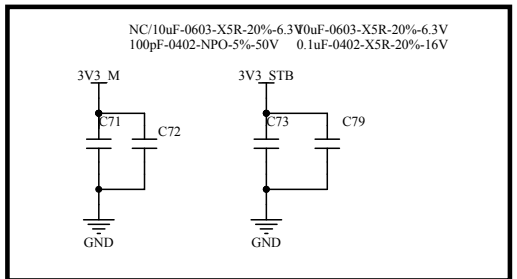
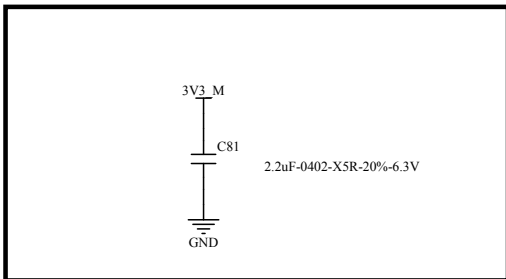
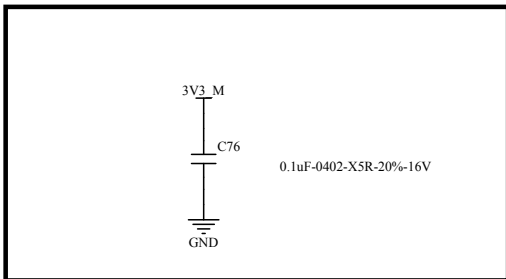
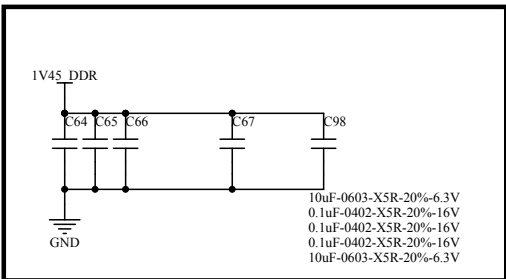
B

B



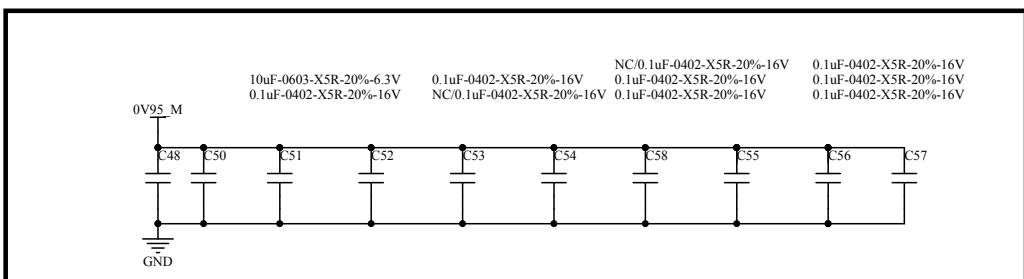
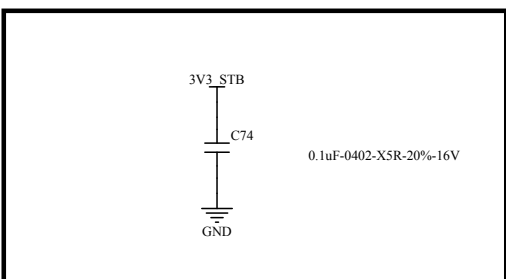
C

C



D

D

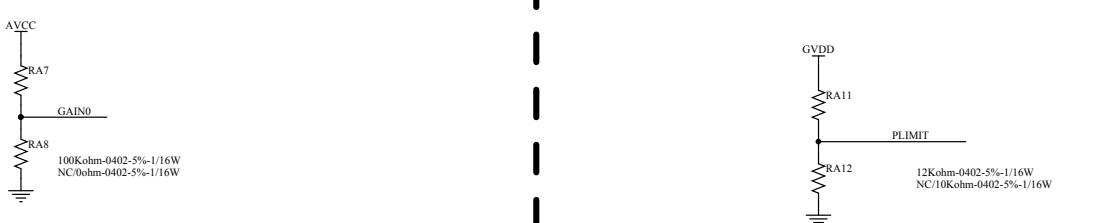
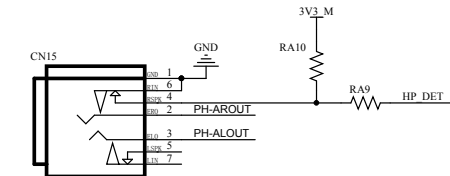
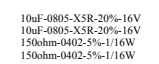
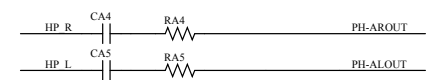
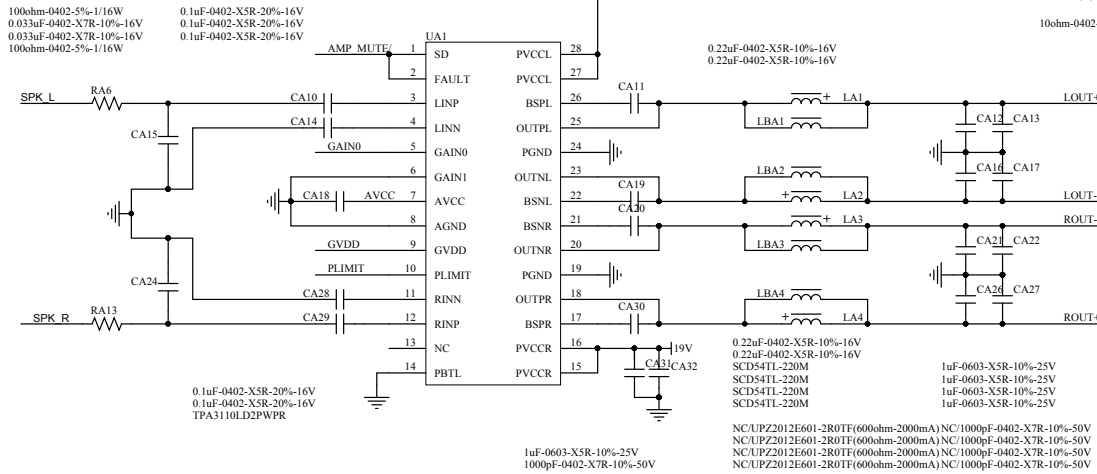


1

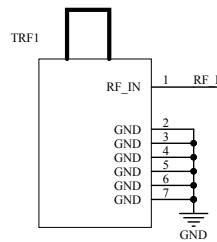
2

3

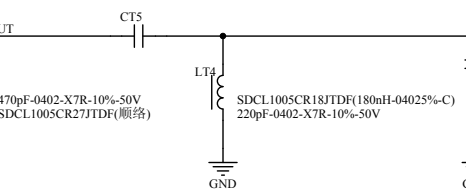
4







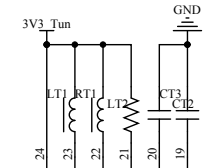
T-2514.59-I EC14.5-LHD(3只脚)



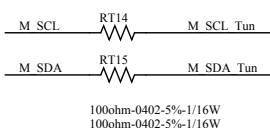
470pF-0402-X7R-10%-50V  
SDCL1005CR27JTDF(顺络)

SDCL1005CR18JTDF(180nH-04025%-C)  
220pF-0402-X7R-10%-50V

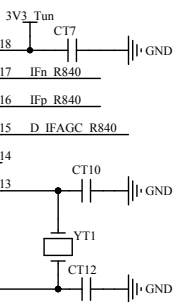
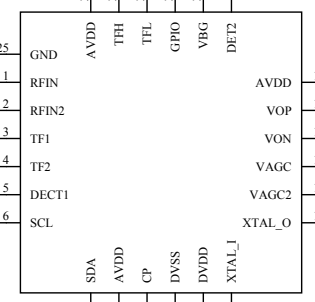
1Kohm-0402-25%  
1Kohm-0402-25%  
SDCL1005CR18JTDF(180nH-04025%-C)  
0.1uF-0402-X5R-20%-16V  
R840



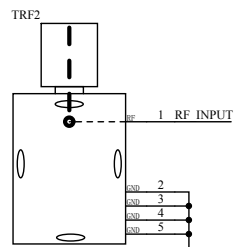
SDCL1005C68NJTDF(68nH-04025%-C)  
SDCL1005CR27JTDF(顺络)  
NC/10Kohm-0402-5%-1/16W  
0.1uF-0402-X5R-20%-16V  
0.022uF-0402-X7R-10%-16V  
0.1uF-0402-X5R-20%-16V



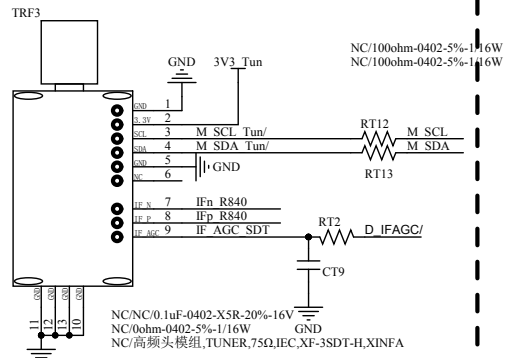
100ohm-0402-5%-1/16W  
100ohm-0402-5%-1/16W



NC/8pF-0402-NPO-5%-50V  
NC/8pF-0402-NPO-5%-50V  
16MHz-20PPM-20PF -HC-49S  
330pF-0402-NPO-5%-50V

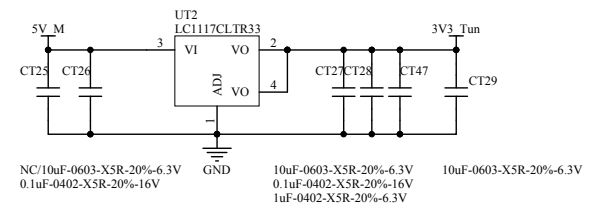


NC/T-14.5259-I EC14.5-LHD(一体)

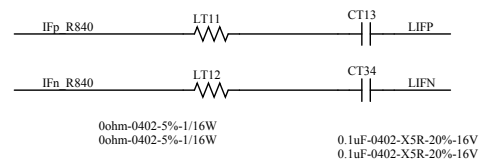


NC/NC/0.1uF-0402-X5R-20%-16V  
NC/0ohm-0402-5%-1/16W  
NC/高频头模组, TUNER, 75Ω, IEC, XF-3SDT-H, XINFA

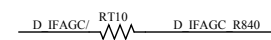
NC/100ohm-0402-5%-1/16W  
NC/100ohm-0402-5%-1/16W



NC/10uF-0603-X5R-20%-6.3V  
0.1uF-0402-X5R-20%-16V  
GND  
10uF-0603-X5R-20%-6.3V  
0.1uF-0402-X5R-20%-16V  
1uF-0402-X5R-20%-6.3V



0ohm-0402-5%-1/16W  
0ohm-0402-5%-1/16W  
0.1uF-0402-X5R-20%-16V  
0.1uF-0402-X5R-20%-16V



1Kohm-0402-5%-1/16W