

HISTORY INFORMATION FOR THE FOLLOWING MANUAL:

SERVICE MANUAL

WAX3B CHASSIS

<u>MODEL NAME</u>	<u>REMOTE COMMANDER</u>	<u>DESTINATION</u>
KLV-32L400A	RM-YA008	BRAZIL
KLV-37L400A	RM-YA008	BRAZIL

ORIGINAL MANUAL ISSUE DATE: 6/2008

REVISION DATE

SUBJECT

6/2008

No revisions or updates are applicable at this time.

SERVICE MANUAL

WAX3B CHASSIS

<u>MODEL NAME</u>	<u>REMOTE COMMANDER</u>	<u>DESTINATION</u>
<i>KLV-32L400A</i>	<i>RM-YA008</i>	<i>BRAZIL</i>
<i>KLV-37L400A</i>	<i>RM-YA008</i>	<i>BRAZIL</i>



KLV-32L400A



RM-YA008

LCD COLOR TELEVISION

SONY®

TABLE OF CONTENTS

SECTION TITLE	PAGE	SECTION TITLE	PAGE
Specifications	4	SECTION 3: DIAGRAMS.....	21
Warnings and Cautions	6	3-1. Circuit Boards Location	21
Safety-Related Component Warning	7	3-2. Printed Wiring Boards and Schematic Diagrams Information	21
Safety Check-Out	9	3-3. Block Diagram	23
Self-Diagnostic Function.....	10	3-4. Schematics and Supporting Information	24
SECTION 1: DISASSEMBLY.....	12	BG2A Board Schematic Diagram (1 of 8)	24
1-1. Rear Cover Removal.....	12	BG2A Board Schematic Diagram (2 of 8)	25
1-2. HL1 Board Removal.....	12	BG2A Board Schematic Diagram (3 of 8)	26
1-3. UM Board and Jack Holder Removal.....	13	BG2A Board Schematic Diagram (4 of 8)	27
1-4. BG2A Board and RF Bracket Removal	13	BG2A Board Schematic Diagram (5 of 8)	28
1-5. G Bracket and GM Board Removal.....	14	BG2A Board Schematic Diagram (6 of 8)	29
1-6. VESA Arms, Under Cover and Table-Top Stand Removal (KLV-32L400A ONLY)	15	BG2A Board Schematic Diagram (7 of 8)	30
1-7. VESA Arms, Under Cover and Table-Top Stand Removal (KLV-32L400A ONLY)	16	BG2A Board Schematic Diagram (8 of 8)	31
1-8. Speaker, Light Guide and HL5 Board Removal	16	G1M Board Schematic Diagram (KLV-32L400A ONLY).....	34
1-9. Brackets Removal (KLV-32L400A ONLY)	17	G5M Board Schematic Diagram (KLV-37L400A ONLY).....	37
1-10. Bracket Removal (KLV-37L400A ONLY)	17	HL1 Board Schematic Diagram.....	40
1-11. LCD Panel Removal.....	18	HL5 Board Schematic Diagram.....	42
1-12. Inverter Board Removal	18	UM Board Schematic Diagram.....	44
SECTION 2: SERVICE ADJUSTMENTS.....	19	3-5. Semiconductors	46
2-1. Using the Remote Commander for Electrical Adjustments ..	19	SECTION 4: EXPLODED VIEWS.....	47
2-2. Accessing Service Adjustment Mode	19	4-1. Rear Cover Assembly and Table-Top Stand Assembly	47
2-3. Viewing the Service Menus	19	4-2. Chassis	48
2-4. Changing Service Data	20	4-3. Connectors (KLV-32L400A Only)	49
2-4-1. Exiting Service Mode.....	20	4-4. Connectors (KLV-37L400A Only)	50
2-5. Verifying Service Data Changes	20	4-5. Bezel Assembly and LCD Panel (KLV-32L400A Only).....	51
		4-6. Bezel Assembly and LCD Panel (KLV-37L400A Only).....	52
		4-7. Screw Legend	53
		SECTION 5: ELECTRICAL PARTS LIST.....	54
		APPENDIX A: ENCRYPTION KEY COMPONENTS.....	A-1

SPECIFICATIONS

Power Requirements AC 120V - 220V, 50/60 Hz

Power Consumption (W)

In Use (Max) 155W (KLV-32L400A Only)

190W (KLV-37L400A Only)

In Standby Less than 1W

VIDEO (IN) 1/2

S Video (4-Pin Mini DIN (VIDEO 1 Only))

Y: 1.0 Vp-p, 75 ohms unbalanced, sync negative

C: 0.286 Vp-p (Burst signal), 75 ohms

Video

1.0 Vp-p, 75 ohms unbalanced, sync negative

Audio

500 mVrms (100% modulation)

Impedance: 47 kilohms

COMPONENT IN 1/2

Y_BP_R (Component Video)

Y: 1.0 Vp-p, 75 ohms unbalanced, sync negative

P_B: 0.7 Vp-p, 75 ohms

P_R: 0.7 Vp-p, 75 ohms

Signal format: 480i, 480p, 720p, 1080i, 1080p

AUDIO

500 mVrms (100% modulation)

Impedance: 47 kilohms

HDMI IN 1/2:

HDMI: Video: 480i, 480p, 720p, 1080i, 1080p

Audio: Two channel linear PCM 32, 44.1 and 48 kHz, 16, 20 and 24 bits

AUDIO: (HDMI In 2 Only) 500 mVrms (100% modulation)

Impedance: 47 kilohms

AUDIO OUT:

500 mVrms (100% modulation) /

More than 1 Vrms at the maximum volume setting (Variable)

More than 500 mVrms (Fixed)

PC IN:

D-sub 15-pin, analog RGB, 0.7 Vp-p, 75 ohms, positive

PC AUDIO INPUT:

Stereo mini jack, 500 mVrms (100% modulation)

Impedance: 47 kilohms

HEADPHONES:

Stereo mini jack

Impedance: ≥ 16 ohms

Trademark Information

This TV incorporates High-Definition Multimedia Interface (HDMI™) technology. HDMI, the HDMI logo and High-Definition Multimedia Interface are trademarks or registered trademarks of HDMI Licensing LLC.

Blu-ray is a trademark.

“BRAVIA” and BRAVIA, , BRAVIA Theatre Sync and DMPort are trademarks or registered marks of Sony Corporation.

“PLAYSTATION” is a registered trademark and “PS3” is a trademark of Sony Computer Entertainment Inc.

Macintosh is a trademark licensed to Apple Computer, Inc., registered in the U.S.A. and other countries.

Design and specifications are subject to change without notice.



	KLV-32L400A	KLV-37L400A		
Power Consumption	in use	155W	190W	
	in standby	Less than 1W		
Speaker Output (W) Speaker/Full Range (2)		10W + 10W		
	mm	146 x 35 mm		
	in	5 ^{3/4} x 1 ^{3/8}		
Dimensions (W x H x D) with stand	mm	796 x 590 x 214	918 x 655 x 265	
	in	31 ^{3/8} x 23 ^{1/4} x 8 ^{1/2}	36 ^{1/4} x 25 ^{7/8} x 10 ^{1/2}	
	without stand	mm	796 x 544 x 100	918 x 609 x 108
		in	31 ^{3/8} x 21 ^{1/2} x 4	36 ^{1/4} x 24 x 4 ^{3/8}
	wall-mount hole pattern (mm)		200 x 200 mm	300 x 200 mm
	Mass	with stand	kg	15 kg
lb			34 lb	46 kg
without stand		kg	13 kg	17 kg
		lb	29 lb	38 lb

All measurements are approximations.

Television system

NTSC 3.58/PAL-M/PAL-N Trinorma

Channel coverage

VHS: 2-13
UHF: 14-69
CATV: 1-125

Antenna

75-ohm external terminal for VHF/UHF/CABLE

Panel System

LCD (Liquid Crystal Display) Panel

Display Resolution (horizontal x vertical):

1,366 dots x 768 lines

Screen Size (measured diagonally)

approx. 31.5 inches / 80 cm (KLV-32L400A Only)
approx. 37 inches / 94 cm (KLV-37L400A Only)

Supplied Accessories

Remote Commander RM-YA008
Two Size AA (R6) Batteries
Cable Holder
Operating Instructions
Quick Setup Guide
Safety and Regulatory Booklet

Optional Accessories

Headphones Plug Adapter
Connecting Cables
Wall-Mount Bracket
SU-WL500
75-ohm coaxial cable
HD15-HD15 cable

WARNINGS AND CAUTIONS

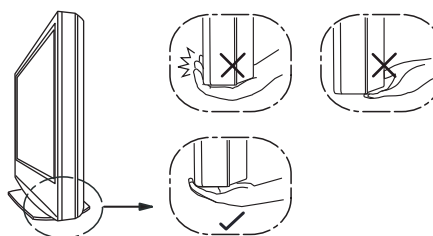
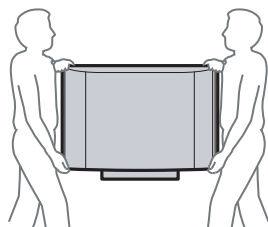
CAUTION

These servicing instructions are for use by qualified service personnel only. To reduce the risk of electric shock, do not perform any servicing other than that contained in the operating instructions unless you are qualified to do so.

CARRYING THE TV

To avoid dropping the TV and causing serious injury, be sure to follow these guidelines:


- Before carrying the TV, disconnect all cables.
- Carrying the large size TV requires two or more people.
- When you carry the TV, place your hand as illustrated and hold it securely. Do not put stress on the LCD panel.
- When lifting or moving the TV, hold it firmly from the bottom. Place your palm directly under the panel.
- When carrying, do not subject the TV to shocks or vibration, or excessive force.
- Place your palm directly underneath, but do not squeeze the panel's speaker grill area.



WARNING!!

An isolation transformer should be used during any service to avoid possible shock hazard, because of live chassis. The chassis of this receiver is directly connected to the ac power line.

SAFETY-RELATED COMPONENT WARNING!!

Components identified by shading and  mark on the schematic diagrams, exploded views, and in the parts list are critical for safe operation. Replace these components with Sony parts whose part numbers appear as shown in this manual or in supplements published by Sony. Circuit adjustments that are critical for safe operation are identified in this manual. Follow these procedures whenever critical components are replaced or improper operation is suspected.

SAFETY-RELATED COMPONENT WARNING

There are critical components used in LCD color TVs that are important for safety. These components are identified with shading and \triangle mark on the schematic diagrams and the electrical parts list. It is essential that these critical parts be replaced only with the part number specified in the electrical parts list to prevent electric shock, fire, or other hazard.

NOTE: Do not modify the original design without obtaining written permission from the manufacturer or you will void the original parts and labor guarantee.

USE CAUTION WHEN HANDLING THE LCD PANEL

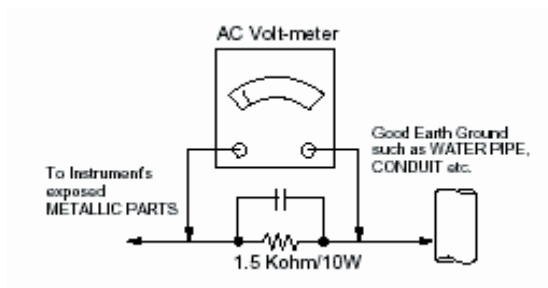
When repairing the LCD panel, be sure you are grounded by using a wrist band.

When installing the LCD panel on a wall, the LCD panel must be secured using the 4 mounting holes on the rear cover.

To avoid damaging the LCD panel:

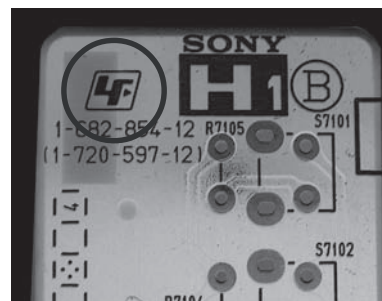
- do not press on the panel or frame edge to avoid the risk of electric shock.
- do not scratch or press on the panel with any sharp objects.
- do not leave the module in high temperatures or in areas of high humidity for an extended period of time.
- do not expose the LCD panel to direct sunlight.
- avoid contact with water. It may cause a short circuit within the module.
- disconnect the AC adapter when replacing the backlight (CCFL) or inverter circuit.
(High voltage occurs at the inverter circuit at 650Vrms.)
- always clean the LCD panel with a soft cloth material.
- use care when handling the wires or connectors of the inverter circuit. Damaging the wires may cause a short.
- protect the panel from ESD to avoid damaging the electronic circuit (C-MOS).

LEAKAGE CURRENT HOT CHECK CIRCUIT



example 1

The circuit boards used in these models have been processed using Lead Free Solder. The boards are identified by the LF logo located close to the board designation e.g. H1 etc [see example]. The servicing of these boards requires special precautions to be taken as outlined below.



It is strongly recommended to use Lead Free Solder material in order to guarantee optimal quality of new solder joints. Lead Free Solder is available under the following part numbers :

Part number	Diameter	Remarks
7-640-005-19	0.3mm	0.25Kg
7-640-005-20	0.4mm	0.50Kg
7-640-005-21	0.5mm	0.50Kg
7-640-005-22	0.6mm	0.25Kg
7-640-005-23	0.8mm	1.00Kg
7-640-005-24	1.0mm	1.00Kg
7-640-005-25	1.2mm	1.00Kg
7-640-005-26	1.6mm	1.00Kg

Due to the higher melting point of Lead Free Solder the soldering iron tip temperature needs to be set to 370 degrees centigrade. This requires soldering equipment capable of accurate temperature control coupled with a good heat recovery characteristics.

For more information on the use of Lead Free Solder, please refer to <http://www.sony-training.com>

SAFETY CHECK-OUT

After correcting the original service problem, perform the following safety checks before releasing the set to the customer:

1. Check the area of your repair for unsoldered or poorly soldered connections. Check the entire board surface for solder splashes and bridges.
2. Check the interboard wiring to ensure that no wires are "pinched" or touching high-wattage resistors.
3. Check that all control knobs, shields, covers, ground straps, and mounting hardware have been replaced. Be absolutely certain that you have replaced all the insulators.
4. Look for unauthorized replacement parts, particularly transistors, that were installed during a previous repair. Point them out to the customer and recommend their replacement.
5. Look for parts which, though functioning, show obvious signs of deterioration. Point them out to the customer and recommend their replacement.
6. Check the line cords for cracks and abrasion. Recommend the replacement of any such line cord to the customer.
7. Check the antenna terminals, metal trim, "metallized" knobs, screws, and all other exposed metal parts for AC leakage. Check leakage as described below.

The AC leakage from any exposed metal part to earth ground and from all exposed metal parts to any exposed metal part having a return to chassis, must not exceed 0.5 mA (500 microamperes). Leakage current can be measured by any one of three methods.

1. A commercial leakage tester, such as the Simpson 229 or RCA WT-540A. Follow the manufacturers' instructions to use these instructions.
2. A battery-operated AC milliammeter. The Data Precision 245 digital multimeter is suitable for this job.
3. Measuring the voltage drop across a resistor by means of a VOM or battery-operated AC voltmeter. The "limit" indication is 0.75 V, so analog meters must have an accurate low voltage scale. The Simpson's 250 and Sanwa SH-63TRD are examples of passive VOMs that are suitable. Nearly all battery-operated digital multimeters that have a 2 VAC range are suitable (see Figure A).

How to Find a Good Earth Ground

A cold-water pipe is a guaranteed earth ground; the cover-plate retaining screw on most AC outlet boxes is also at earth ground. If the retaining screw is to be used as your earth ground, verify that it is at ground by measuring the resistance between it and a cold-water pipe with an ohmmeter. The reading should be zero ohms.

If a cold-water pipe is not accessible, connect a 60- to 100-watt trouble-light (not a neon lamp) between the hot side of the receptacle and the retaining screw. Try both slots, if necessary, to locate the hot side on the line; the lamp should light at normal brilliance if the screw is at ground potential (see Figure B).

Leakage Test

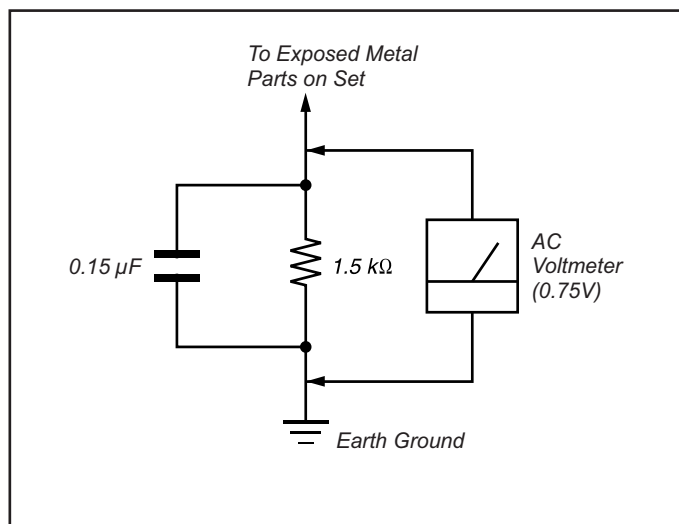


Figure A. Using an AC voltmeter to check AC leakage.

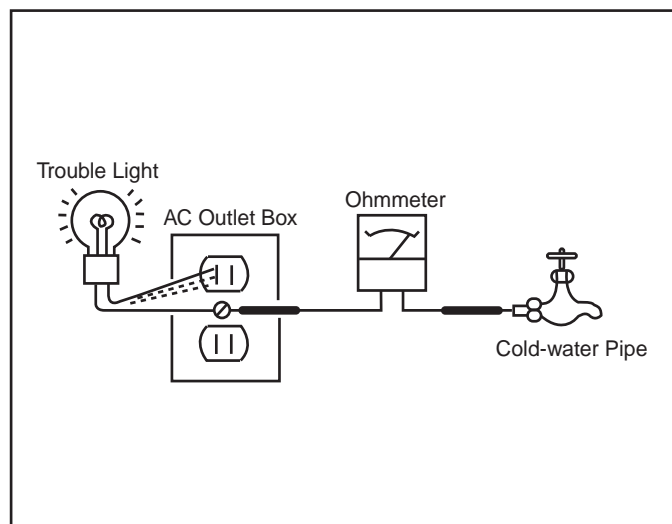


Figure B. Checking for earth ground.

SELF-DIAGNOSTIC FUNCTION

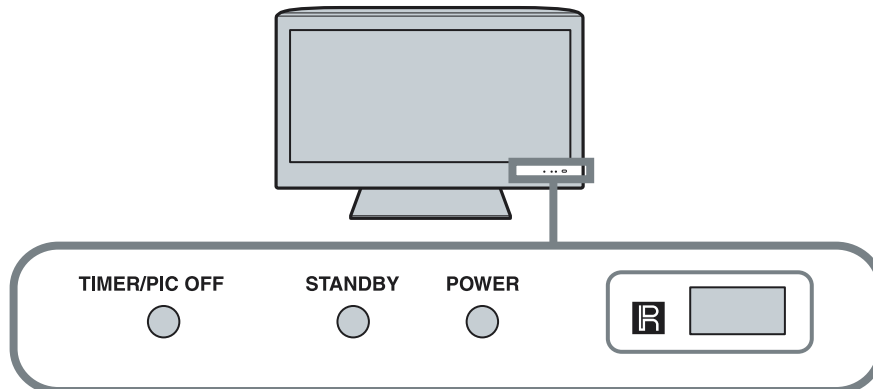


The units in this manual contain a self-diagnostic function. If an error occurs, the TIMER/PIC OFF LED indicator will automatically begin to flash. The number of times the LED flashes translates to a probable source of the problem. A definition of the TIMER/PIC OFF LED flash indicators is listed in the instruction manual for the user's knowledge and reference. If an error symptom cannot be reproduced, the Remote Commander can be used to review the failure occurrence data stored in memory to reveal past problems and how often these problems occur.

1. Diagnostic Test Indicators

When an error occurs, the TIMER/PIC OFF LED indicator will flash a set number of times to indicate the possible cause of the problem. If there is more than one error, the indicator will identify the first of the problem areas.

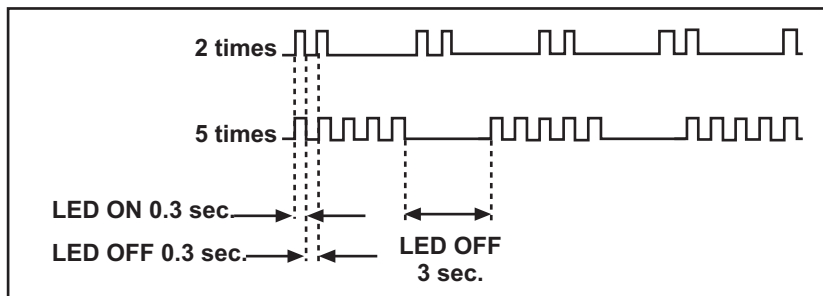
Control Buttons



Description of LED Indicators

LED	LED Type	Description
POWER LED	Green LED	* Light is green when the TV set is on.
STANDBY LED	Red LED	* Light is red when the TV set is in PC standby mode. * Blinks red when indicating the TV may need servicing
TIMER/PIC OFF LED	Amber/Green LED	* Light is amber when the timer is set. * Light is green when the Picture Off feature activated.

Display of TIMER/PIC OFF LED Flash Count



Viewing the Self Check Diagnostic List

1. TV must be in standby mode. (Power off).
2. Press the following buttons on the Remote Commander within a second of each other:

[DISPLAY] → Channel [5] → Volume [↓] → [TV POWER].

The Self Check list displays.

↑ This differs from accessing Service Adjustments.

Results for all of the following diagnostic items are displayed on screen. No error has occurred if the screen displays a "0"

	TV	
DC_DET	0	
DC_ALERT1	0	
DC_ALERT2	0	
DC_ALERT3	0	
BACKLIGHT	0	
TEMPERATURE	0	
AUDIO	1	"1" is displayed when an error is detected one or more times.
DFE	0	"0" is displayed when no error has been detected.
B-ENGINE	0	
HFR	0	

Failure LED Displays

MONITORING ITEMS	NUMBER OF STANDBY LED (RED) BLINKING TIMES
Main power supply voltage error	2
DC_ALERT 1	3
DC_ALERT 2	4
DC_ALERT 3	5
Backlight error	6
Internal temperature error	7
Audio error	8
Fan error (HFR model only)	9
Digital FE error	10
Trident error	11

*Each of the above blinking is repeated every 2 seconds

LED Displays during Aging

Condition	LED Displays
When AGING_TIMER > 0	Green (0.5 Sec) → Off (0.5 sec) → Green (0.5 sec) → Off (0.5 sec)
When AGING_TIMER = 0	Green (3.0 sec) → Off (3.0 sec) → Green (3.0 sec) → Off (3.0 sec)

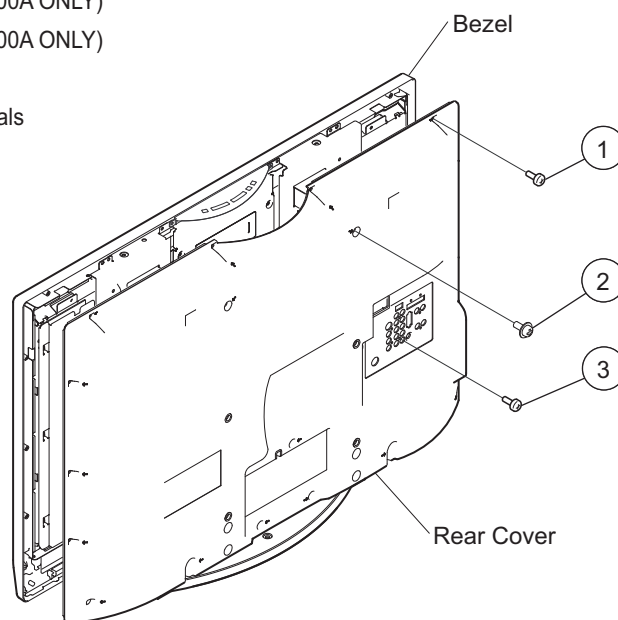
Clearing the Self Check Diagnostic List

1. In Service Mode, turn the TV off, then on.

SECTION 1: DISASSEMBLY

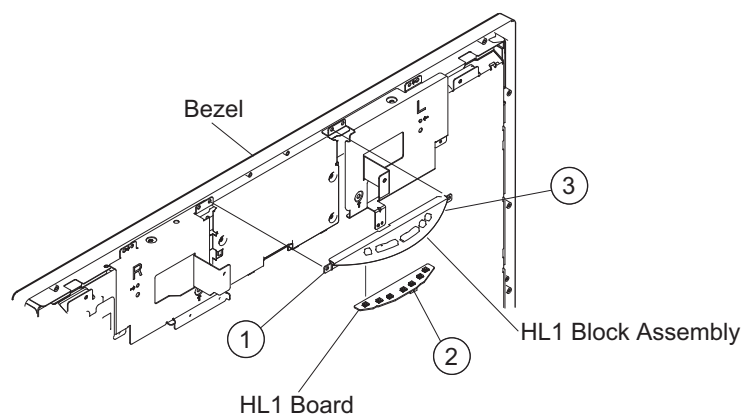
1-1. REAR COVER REMOVAL

- ① Remove 14 screws (KLV-32L400A ONLY)
Remove 16 screws (KLV-37L400A ONLY)
- ② Remove 2 screws
- ③ Remove 2 screws from Terminals



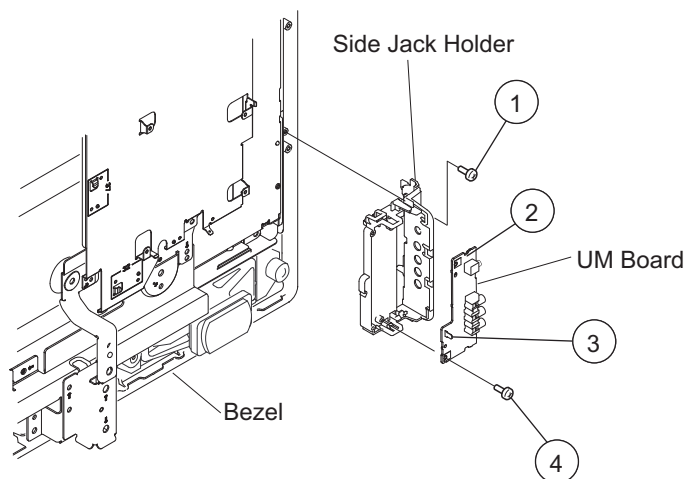
1-2. HL1 BOARD REMOVAL

- ① Slide out HL1 Block Assembly from bezel
- ② Disconnect 1 connector
- ③ Release hooks and remove HL1 Board



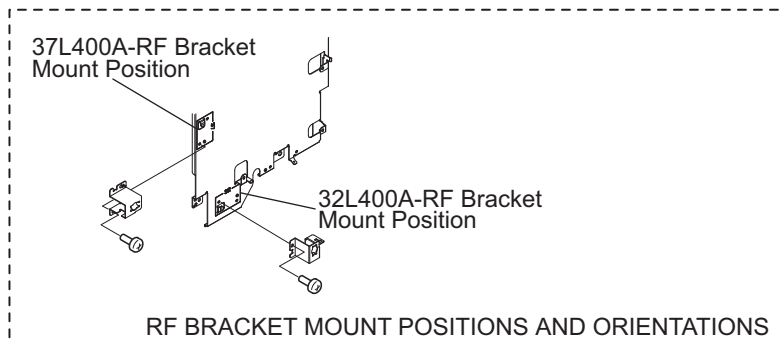
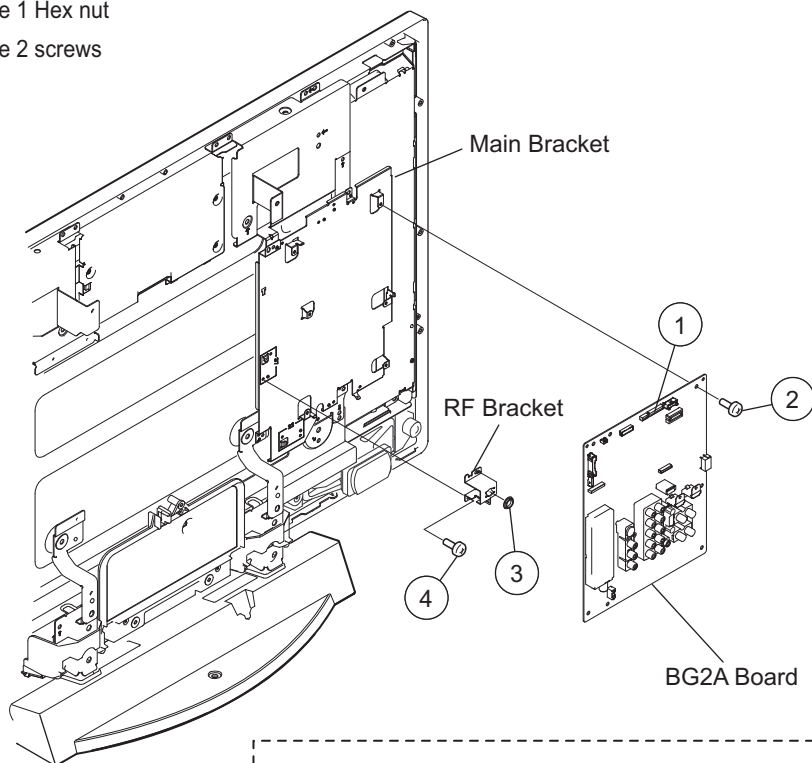
1-3. UM BOARD AND JACK HOLDER REMOVAL

- ① Remove 1 screw
- ② Disconnect 1 connector
- ③ Disconnect 1 wire terminal
- ④ Remove 2 screws



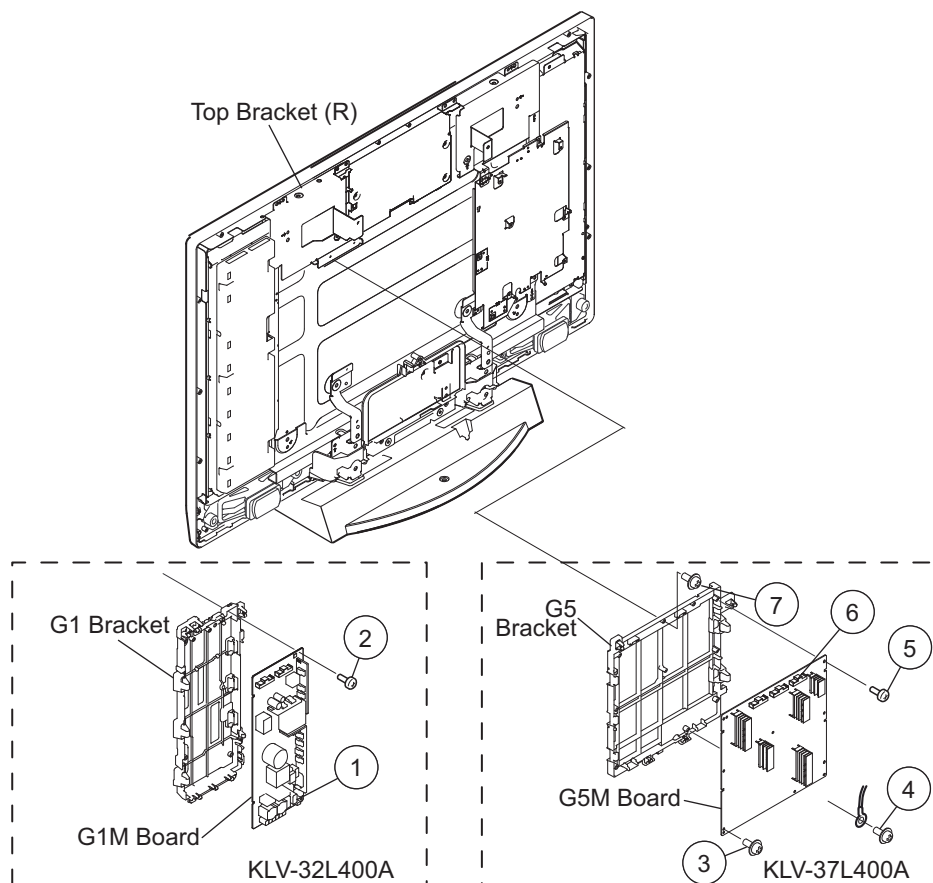
1-4. BG2A BOARD AND RF BRACKET REMOVAL

- ① Disconnect 7 connectors
- ② Remove 6 screws
- ③ Remove 1 Hex nut
- ④ Remove 2 screws



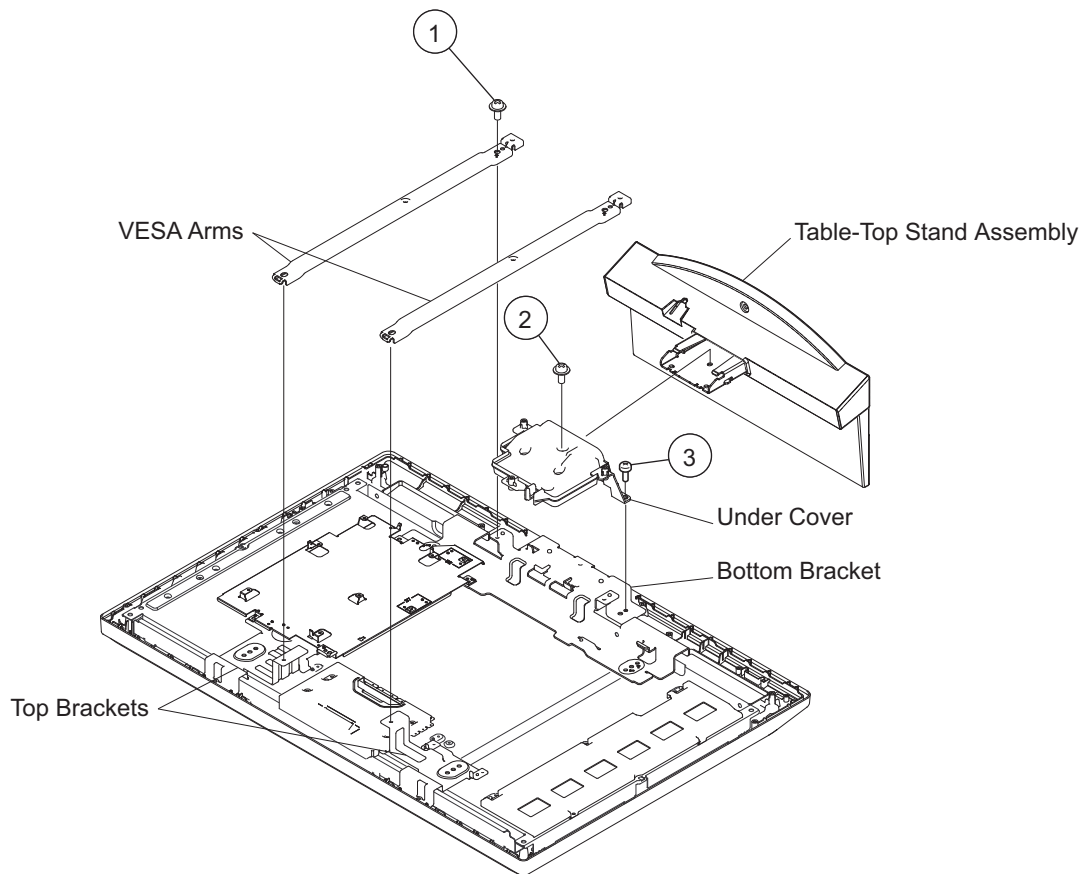
1-5. G BRACKET AND GM BOARD REMOVAL

- ① Disconnect 3 connectors (KLV-32L400A ONLY)
- ② Remove 3 screws (KLV-32L400A ONLY)
- ③ Remove 2 screws (KLV-37L400A ONLY)
- ④ Remove 1 screw (KLV-37L400A ONLY)
- ⑤ Remove 3 screws (KLV-37L400A ONLY)
- ⑥ Disconnect 4 connectors (KLV-37L400A ONLY)
- ⑦ Remove 1 screw (KLV-37L400A ONLY)



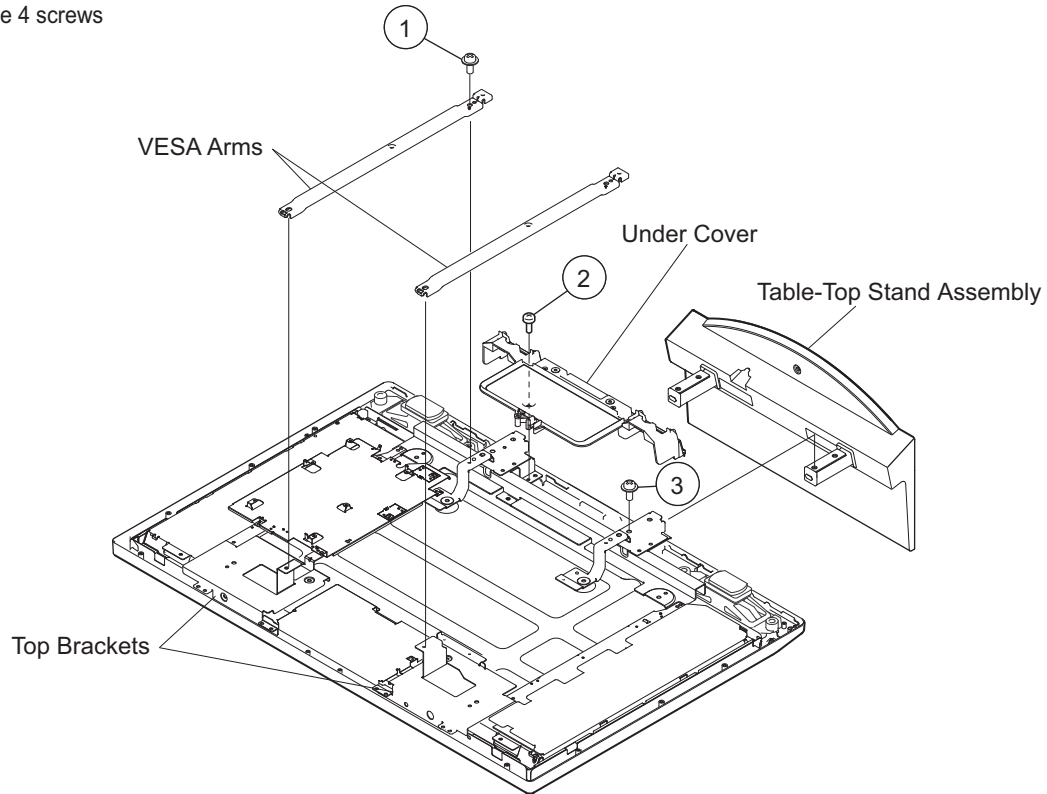
1-6. VESA ARMS, UNDER COVER AND TABLE-TOP STAND REMOVAL (KLV-32L400A ONLY)

- ① Remove 2 screws from bottom of VESA Arms
- ② Remove 3 screws
- ③ Remove 2 screws



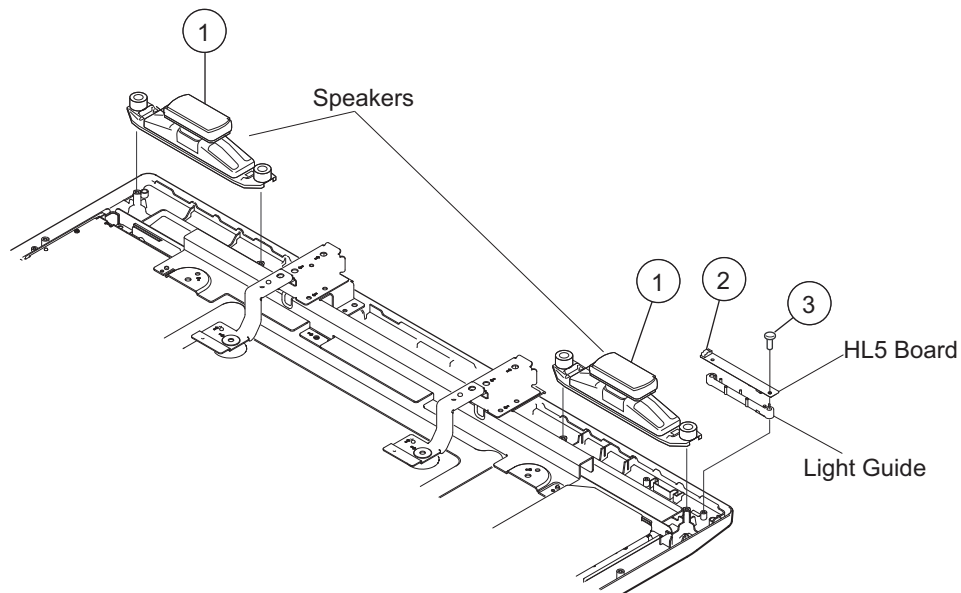
1-7. VESA ARMS, UNDER COVER AND TABLE-TOP STAND REMOVAL (KLV-37L400A ONLY)

- ① Remove 2 screws from bottom of VESA Arms
- ② Remove 2 screws
- ③ Remove 4 screws



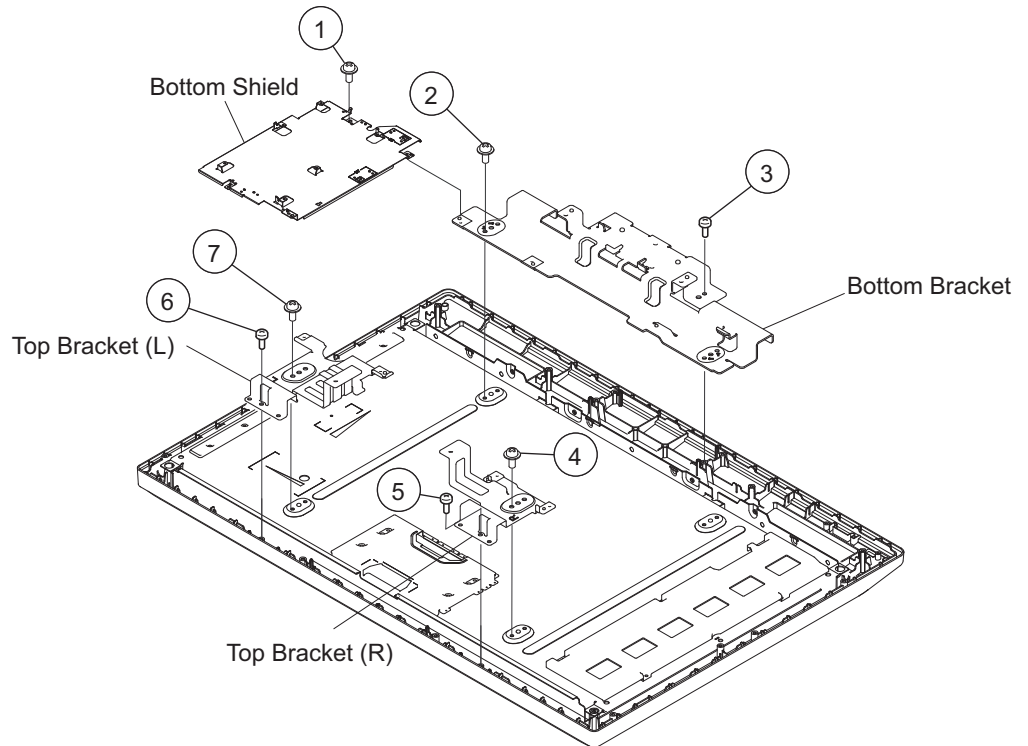
1-8. SPEAKER, LIGHT GUIDE AND HL5 BOARD REMOVAL

- ① Slide out Speakers from Bezel
- ② Disconnect one connector
- ③ Remove 2 screws



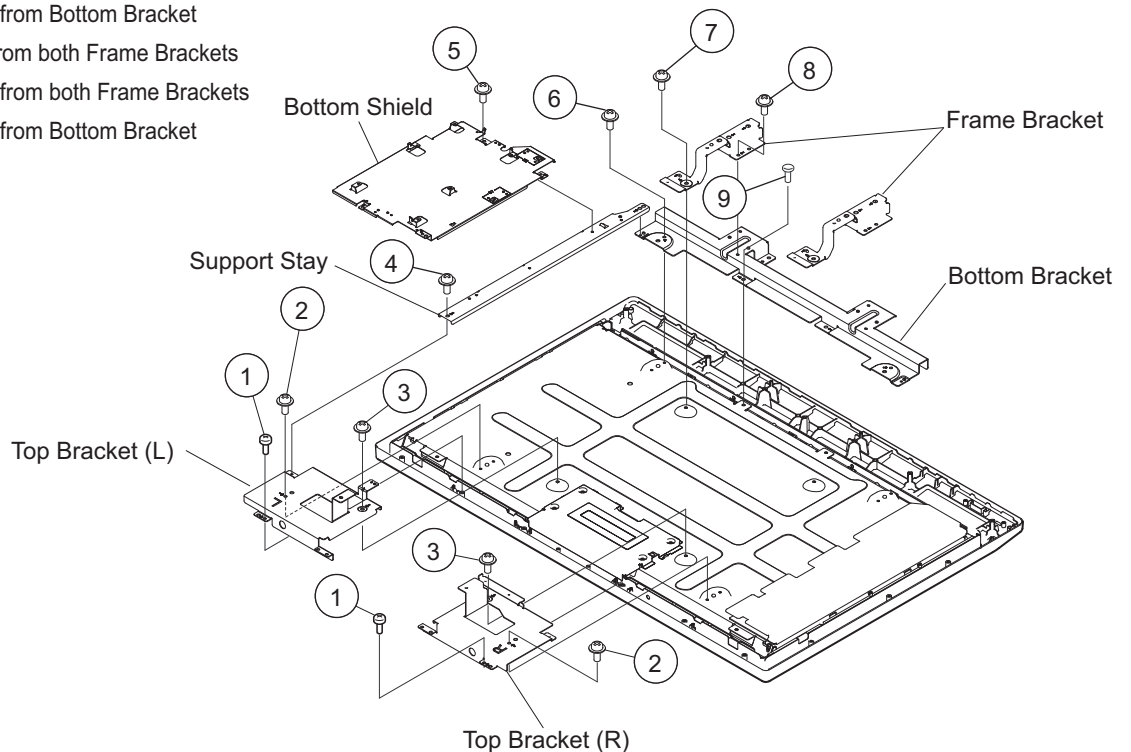
1-9. BRACKETS REMOVAL (KLV-32L400A ONLY)

- ① Remove 4 screws
- ② Remove 4 screws
- ③ Remove 2 screws
- ④ Remove 2 screws
- ⑤ Remove 1 screw
- ⑥ Remove 1 screw
- ⑦ Remove 2 screws



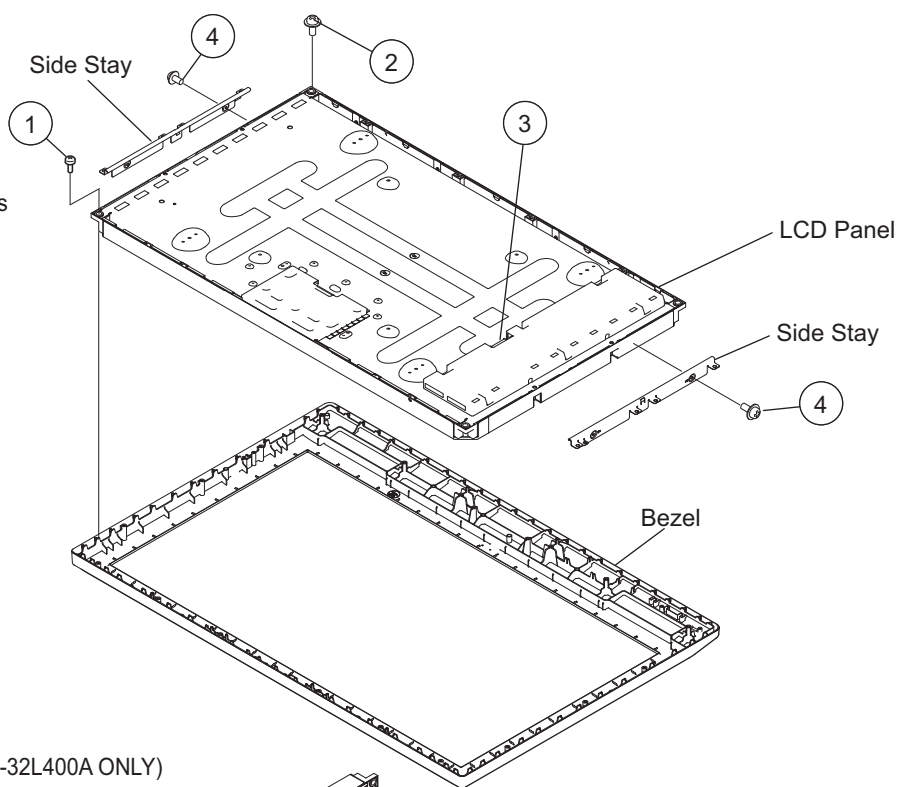
1-10. BRACKET REMOVAL (KLV-37L400A ONLY)

- ① Remove 1 screw from top of both Top Brackets
- ② Remove 1 screw from top of both Top Brackets
- ③ Remove 1 screw from top of both Top Brackets
- ④ Remove 2 screws
- ⑤ Remove 4 screws
- ⑥ Remove 2 screws from Bottom Bracket
- ⑦ Remove 1 screw from both Frame Brackets
- ⑧ Remove 2 screws from both Frame Brackets
- ⑨ Remove 2 screws from Bottom Bracket



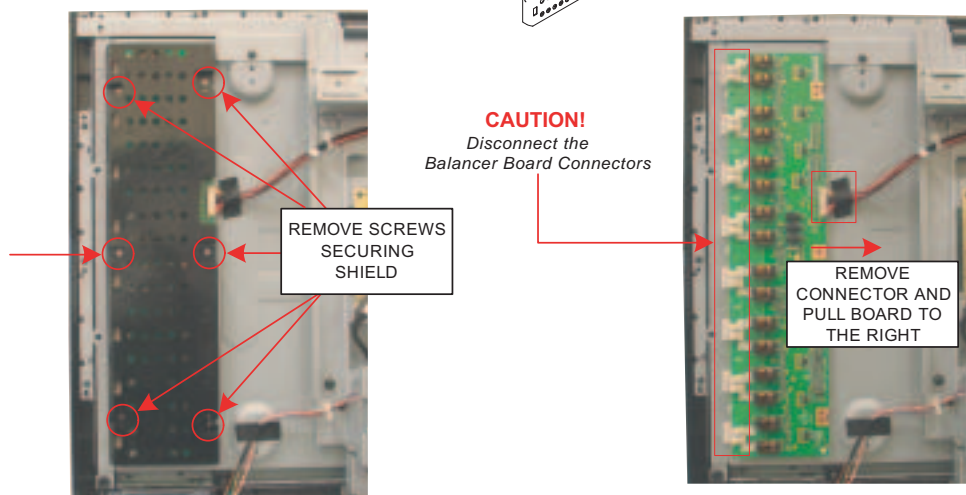
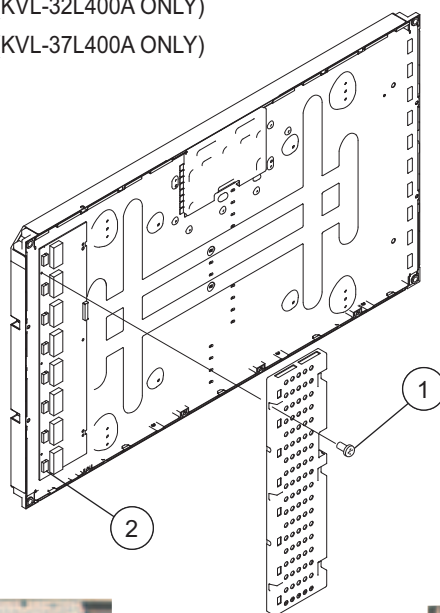
1-11. LCD PANEL REMOVAL

- ① Remove 2 screws (KLV-32L400A ONLY)
- ② Remove 1 screw (KLV-32L400A ONLY)
- ③ Disconnect 1 connector
- ④ Remove 2 screws from both sides of Stays (KLV-37L400A ONLY)



1-12. INVERTER BOARD REMOVAL

- ① Remove 6 screws from cover
- ② Disconnect 7 connectors from board (KVL-32L400A ONLY)
Disconnect 8 connectors from board (KVL-37L400A ONLY)



REMOVE SCREWS
SECURING
SHIELD

CAUTION!
Disconnect the
Balancer Board Connectors

REMOVE
CONNECTOR AND
PULL BOARD TO
THE RIGHT

SHIELD REMOVAL

SECTION 2: SERVICE ADJUSTMENTS

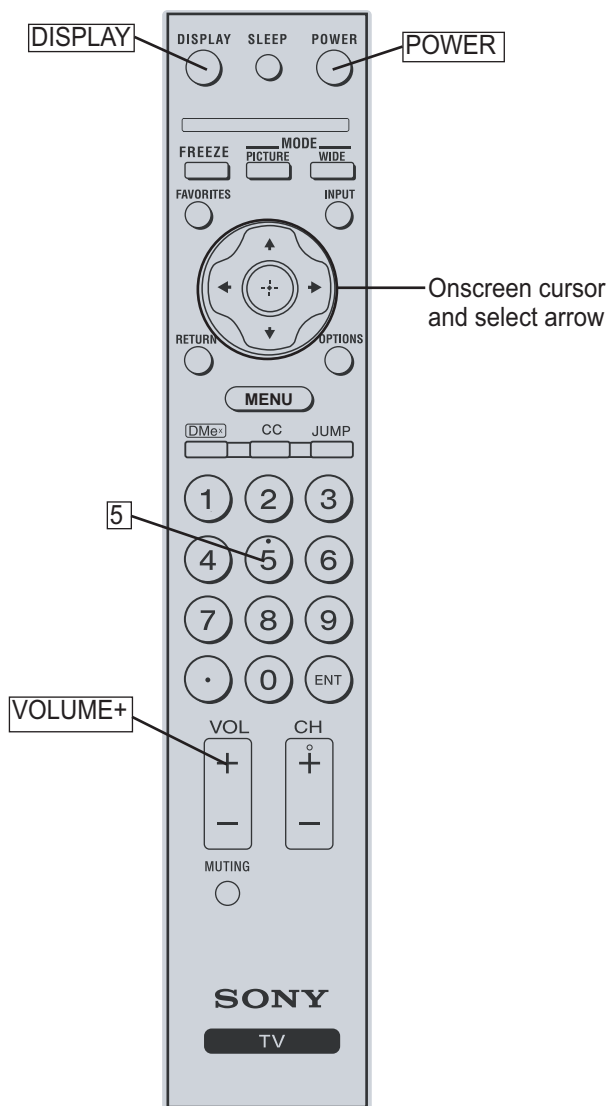
2-1. USING THE REMOTE COMMANDER FOR ELECTRICAL ADJUSTMENTS

To adjust various set features, use the Remote Commander to put the set into service mode to display the service menus and categories.

2-2. ACCESSING SERVICE ADJUSTMENT MODE

1. TV must be in standby mode. (Power off).
2. Press the following arrows on the Remote Commander within a second of each other:

DISPLAY → Channel **5** → Volume **+** → **POWER**.



RM-YA008

The first service menu (TV) displays.

2-3. VIEWING THE SERVICE MENUS

Use the Remote Commander to view the BE Service Menu options.

1. To display the Service Menu that contains the category you want to adjust, press the ↑ or ↓ arrow on the Remote Commander.

MAIN VER.	1000
BOOT VER.	1000
PACK VER.	1000
CHECK SUM	E918
NVM VER.	1025
USB VER.	0000
ETI1	24h
ETI2	24h


		TV
R_DRIVE	256	
G_DRIVE	256	
B_DRIVE	256	
R_BKG	512	
G_BKG	512	
B_BKG	512	
COLOR SAVE		

		TV
TEST RESET		
AGING MODE	Off	
AUTO SHUT-OFF	On	
ETI CLEAR 1		
ETI CLEAR 2		
INFORMATION RESET		
SOUND MUTE	On	
PRODUCTION	11111111	
POWER SAVING	On	
HPD_EXTRA_TIME	0	

2-4. CHANGING SERVICE DATA

1. Use the ↓ or ↑ arrows to select the Adjustment Item you want to change

	TV
R_DRIVE	256
G_DRIVE	256
B_DRIVE	256
R_BKG	512
G_BKG	512
B_BKG	512
COLOR SAVE	

2. To change the data value:
 - a. To increase the data value, press the → arrow.
 - b. To decrease the data value, press the ← arrow.
3. To save the data value changes, press ↓ to select COLOR SAVE, then press  button.

2-4-1. EXITING SERVICE MODE

After completing the changes, exit service mode.

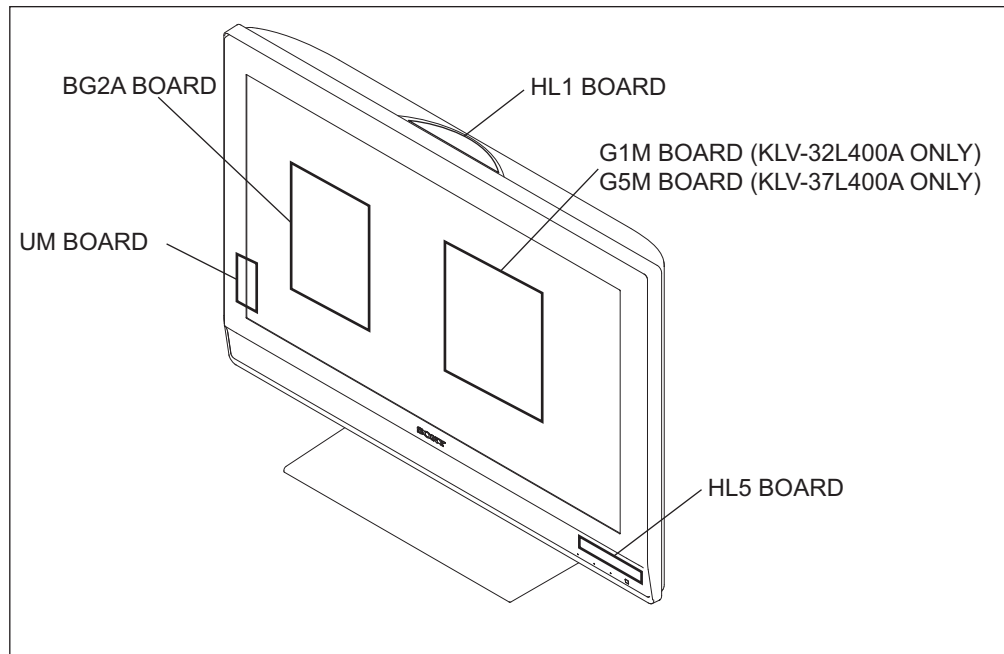
4. To exit service mode, turn the power off by pressing **[POWER]**.

2-5. VERIFYING SERVICE DATA CHANGES

1. After completing all adjustments turn the set off with the Remote Commander and then proceed to the next step.
2. Press the following arrows on the Remote Commander within a second of each other:
[DISPLAY] → **Channel [5]** → **Volume [↑]** → **[POWER]**.
3. To verify the changes repeat step 1 of 2-4. Changing Service Data.
4. To exit service mode, turn the power off by pressing **[POWER]**.

SECTION 3: DIAGRAMS

3-1. CIRCUIT BOARDS LOCATION



3-2. PRINTED WIRING BOARDS AND SCHEMATIC DIAGRAMS INFORMATION

All capacitors are in μF unless otherwise noted. pF : $\mu\mu\text{F}$ 50VV or less are not indicated except for electrolytics and tantalums.

All electrolytics are in 50V unless otherwise specified.

All resistors are in ohms. $\text{k}\Omega=1000\Omega$, $\text{M}\Omega=1000\text{k}\Omega$

Indication of resistance, which does not have one for rating electrical power, is as follows: Pitch : 5mm

Rating electrical power : $\frac{1}{4}\text{W}$

$\frac{1}{4}\text{W}$ in resistance, $\frac{1}{10}\text{W}$ and $\frac{1}{16}\text{W}$ in chip resistance.

 : nonflammable resistor

 : fusible resistor

 : internal component

 : panel designation and adjustment for repair

 : earth ground

 : earth-chassis

All variable and adjustable resistors have characteristic curve B, unless otherwise noted.

Readings are taken with a color-bar signal input.

Readings are taken with a $10\text{M}\Omega$ digital multimeter.

Voltages are DC with respect to ground unless otherwise noted.

Voltage variations may be noted due to normal production tolerances.

All voltages are in V.

S : Measurement impossibility.


 : B+line.


 : B-line. (Actual measured value may be different).

 : signal path. (RF)

Circled numbers are waveform references.

The components identified by shading and  symbol are critical for safety. Replace only with part number specified.

The symbol  indicates a fast operating fuse and is displayed on the component side of the board. Replace only with fuse of the same rating as marked.

NOTE: The components identified by a red outline and a  mark contain confidential information. Specific instructions must be adhered to whenever these components are repaired and/or replaced.
See Appendix A: Encryption Key Components in the back of this manual.

REFERENCE INFORMATION

RESISTOR

- : RN METAL FILM
- : RC SOLID
- : FPRD NONFLAMMABLE CARBON
- : FUSE NONFLAMMABLE FUSIBLE
- : RW NONFLAMMABLE WIREWOUND
- : RS NONFLAMMABLE METAL OXIDE
- : RB NONFLAMMABLE CEMENT
- : ※ ADJUSTMENT RESISTOR

CAPACITOR

- : TA TANTALUM
- : PS STYROL
- : PP POLYPROPYLENE
- : PT MYLAR
- : MPS METALIZED POLYESTER
- : MPP METALIZED POLYPROPYLENE
- : ALB BIPOLAR
- : ALT HIGH TEMPERATURE
- : ALR HIGH RIPPLE

COIL

- : LF-8L MICRO INDUCTOR

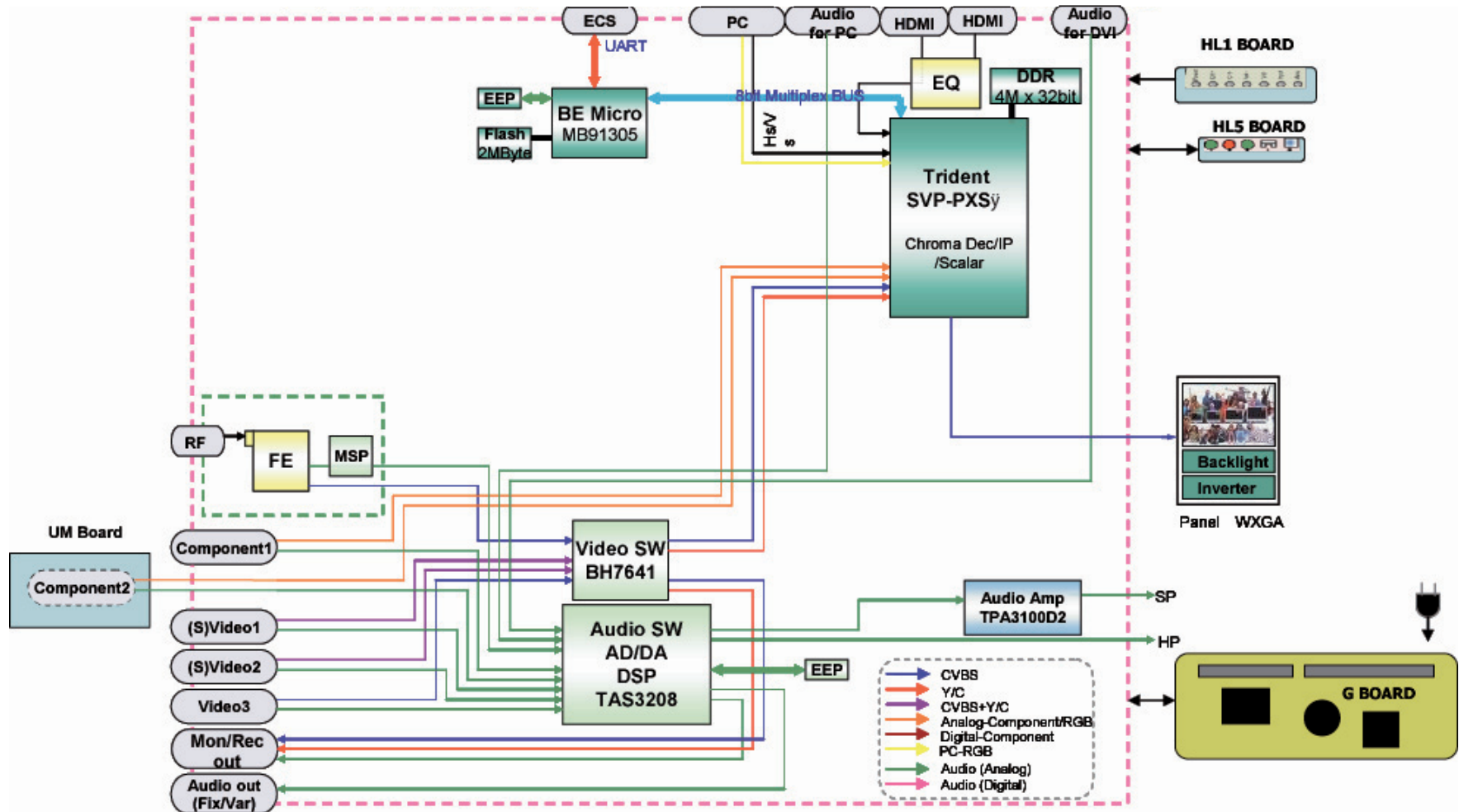
Terminal name of semiconductors in silk screen printed circuit (※)

	Device	Printed symbol	Terminal name	Circuit
1	Transistor		Collector Base Emitter	
2	Transistor		Collector Base Emitter	
3	Diode		Cathode Anode	
4	Diode		Cathode Anode (NC)	
5	Diode		Cathode Anode (NC)	
6	Diode		Common Anode Cathode	
7	Diode		Common Anode Cathode	
8	Diode		Common Anode Anode	
9	Diode		Common Anode Anode	
0	Diode		Common Cathode Cathode	
!j	Diode		Common Cathode Cathode	
!TM	Diode		Anode Anode Cathode Cathode	
!£	Transistor (FET)		Drain Source Gate	
!Ç	Transistor (FET)		Drain Source Gate	
!?	Transistor (FET)		Source Drain Gate	
!§	Transistor		Emitter Collector Base	
!¶	Transistor		C2 B1 E1 E2 B2 C1	
!•	Transistor		C1 B2 E2 E1 B1 C2	
!a	Transistor		C1 B2 E2 E1 B1 C2	
@°	Transistor		C1 B2 E2 E1 B1 C2	
@₁	Transistor		E2 B1 E1 C2 C1(B2)	
@TM	Transistor		(B2) B1 E1 E2 C1 C2	
@£	Transistor		(B2) E2 E1 B1 C2 C1	
—	Discrete semiconductot			

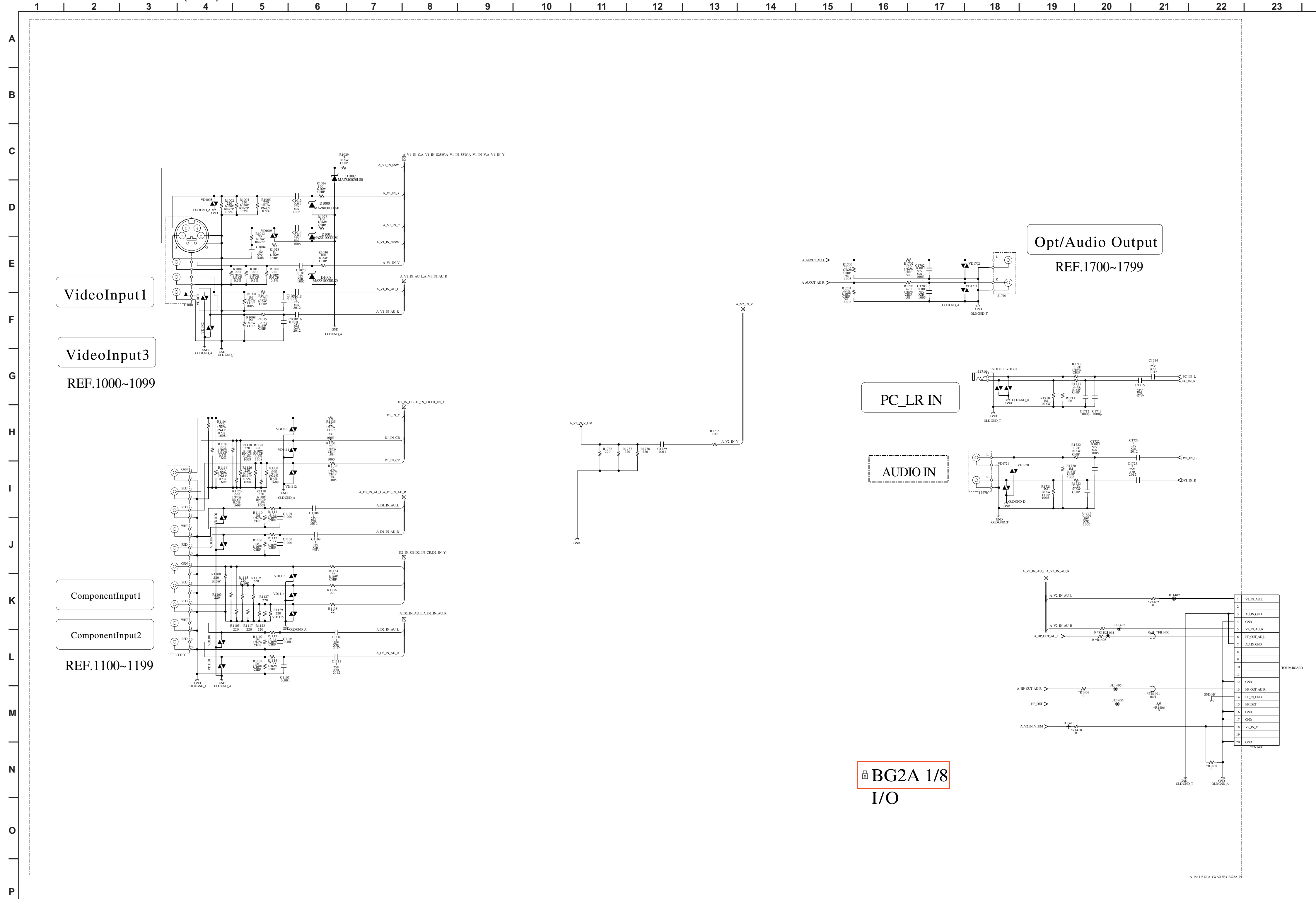
(Chip semiconductors that are not actually used are included.)

Ver.1.6

3-3. BLOCK DIAGRAM



3-4. SCHEMATICS AND SUPPORTING INFORMATION
BG2A BOARD SCHEMATIC DIAGRAM (1 OF 8)



VideoInput1

VideoInput3

REF.1000~1099

ComponentInput1

ComponentInput2

REF.1100~1199

Opt/Audio Output

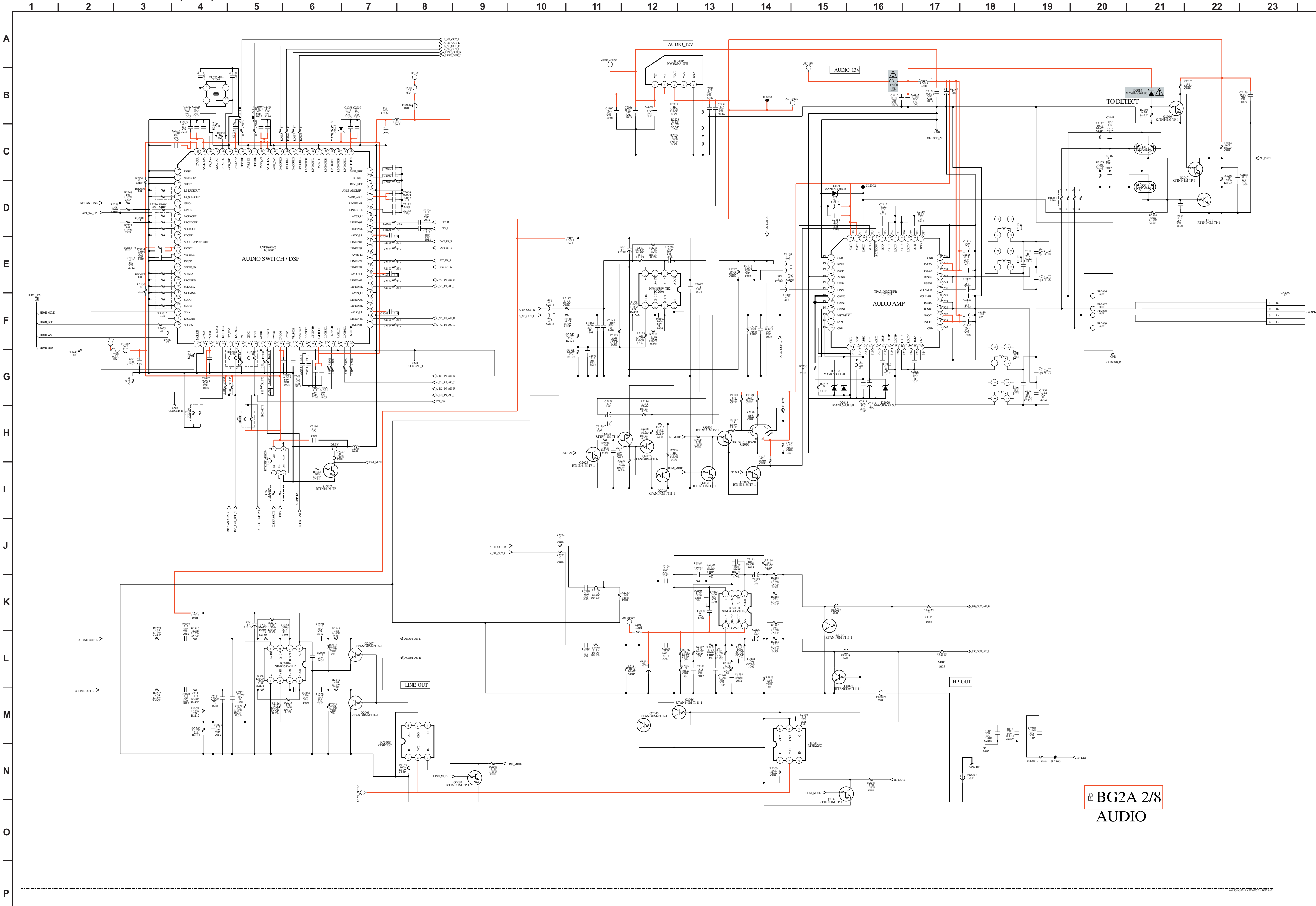
REF.1700~1799

PC_LR IN

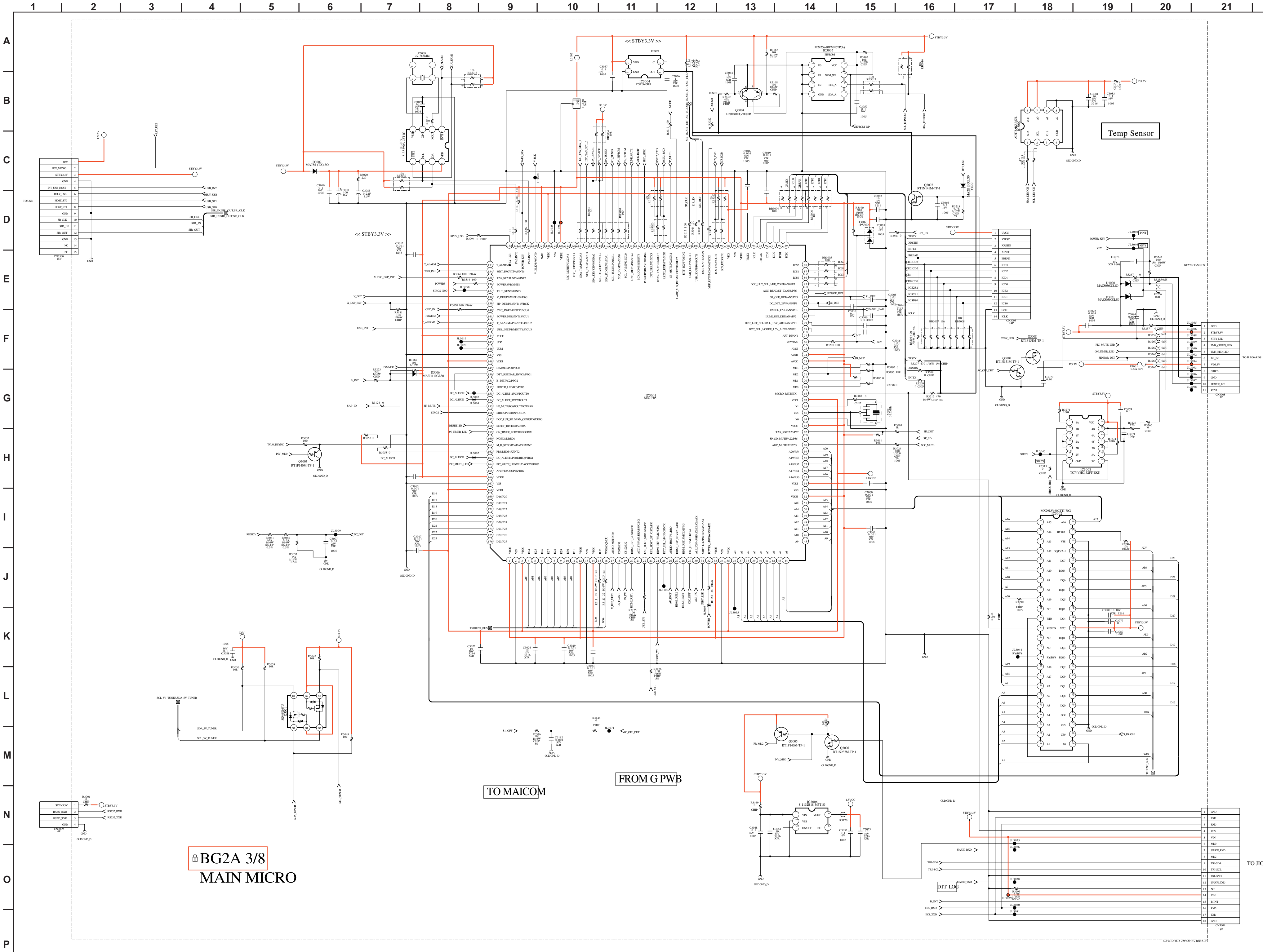
AUDIO IN

BG2A 1/8 I/O

BG2A BOARD SCHEMATIC DIAGRAM (2 OF 8)

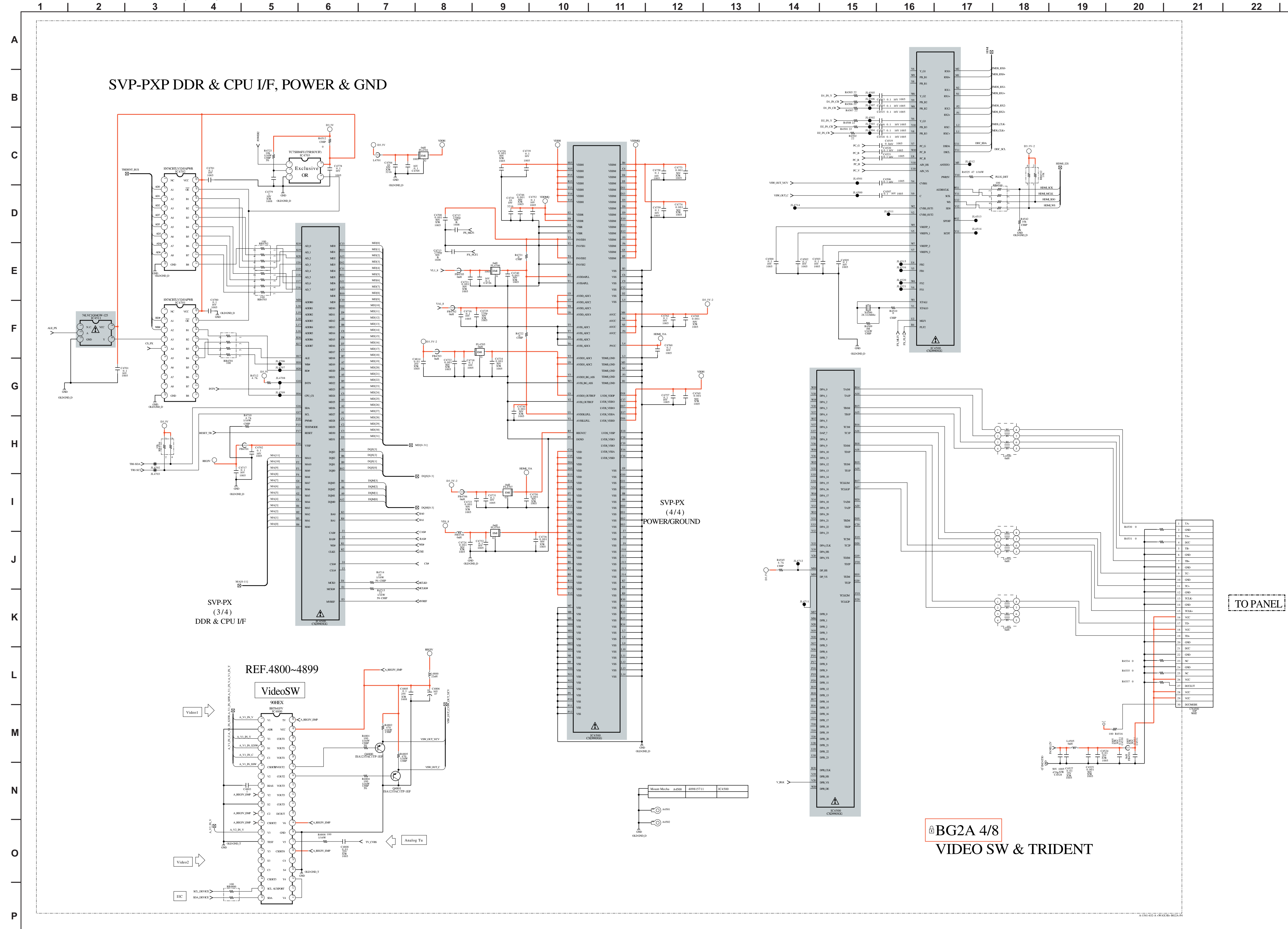


BG2A BOARD SCHEMATIC DIAGRAM (3 OF 8)



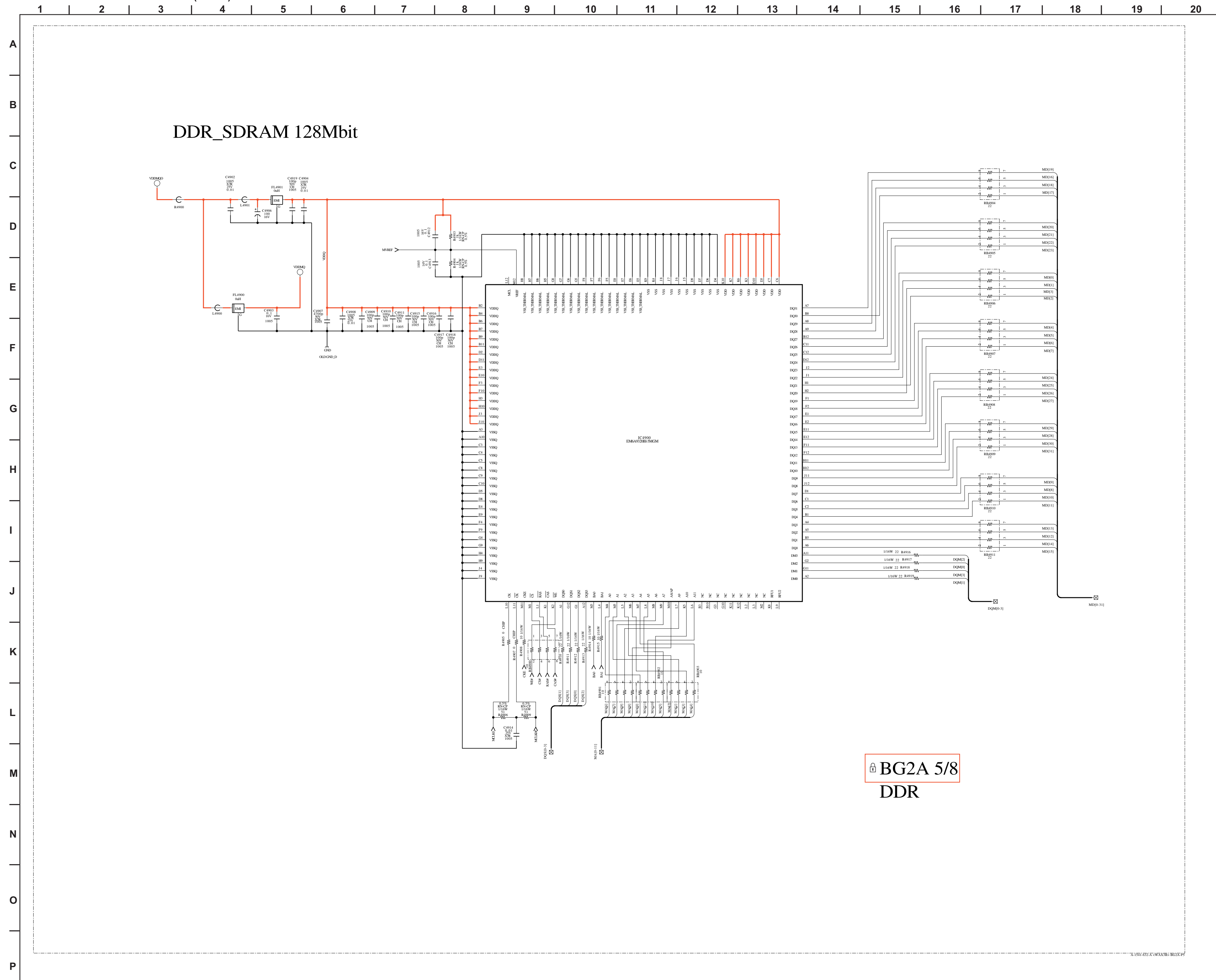
BG2A 3/8
MAIN MICRO

BG2A BOARD SCHEMATIC DIAGRAM (4 OF 8)

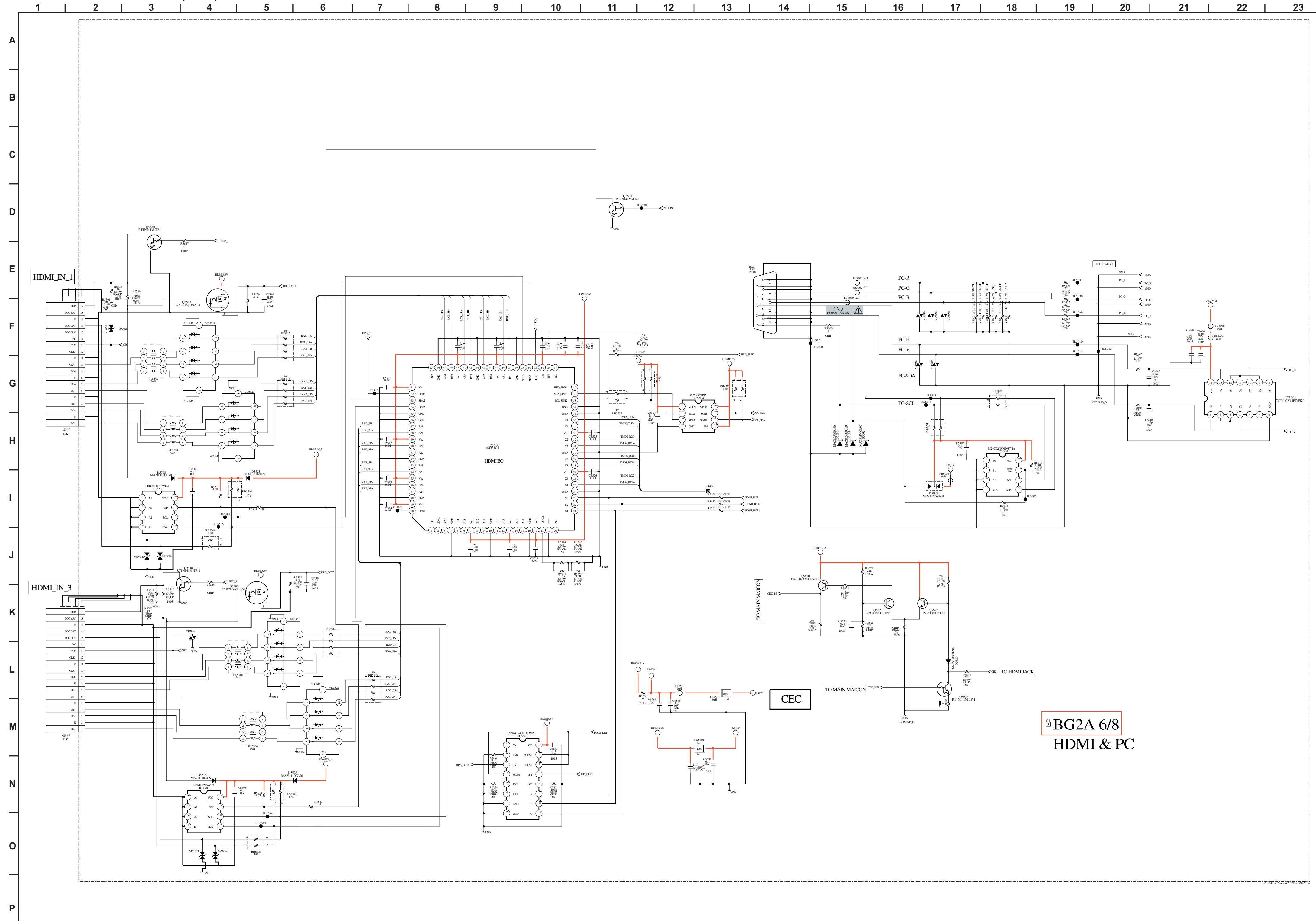


BG2A 4/8 VIDEO SW & TRIDENT

BG2A BOARD SCHEMATIC DIAGRAM (5 OF 8)

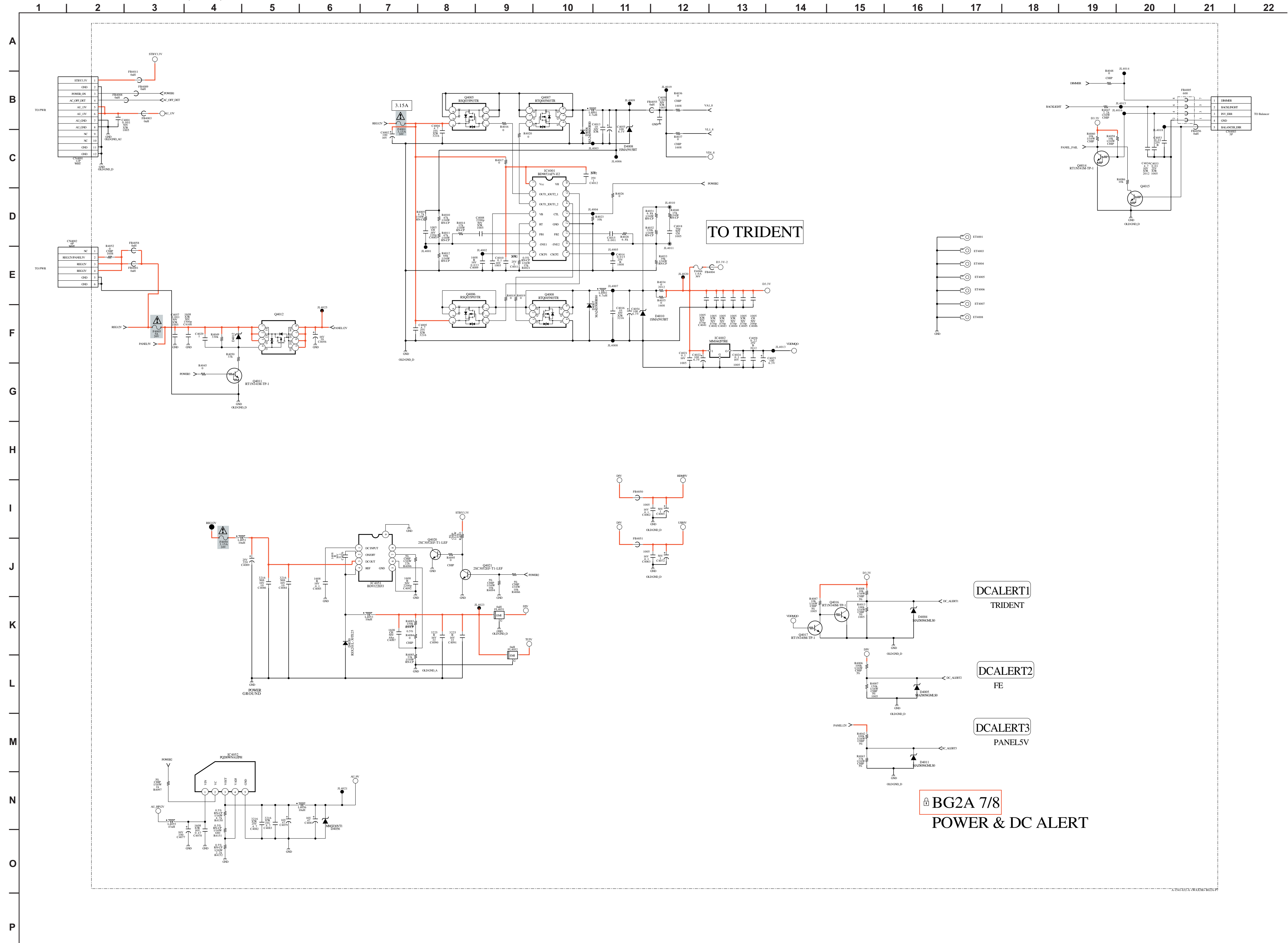


BG2A BOARD SCHEMATIC DIAGRAM (6 OF 8)



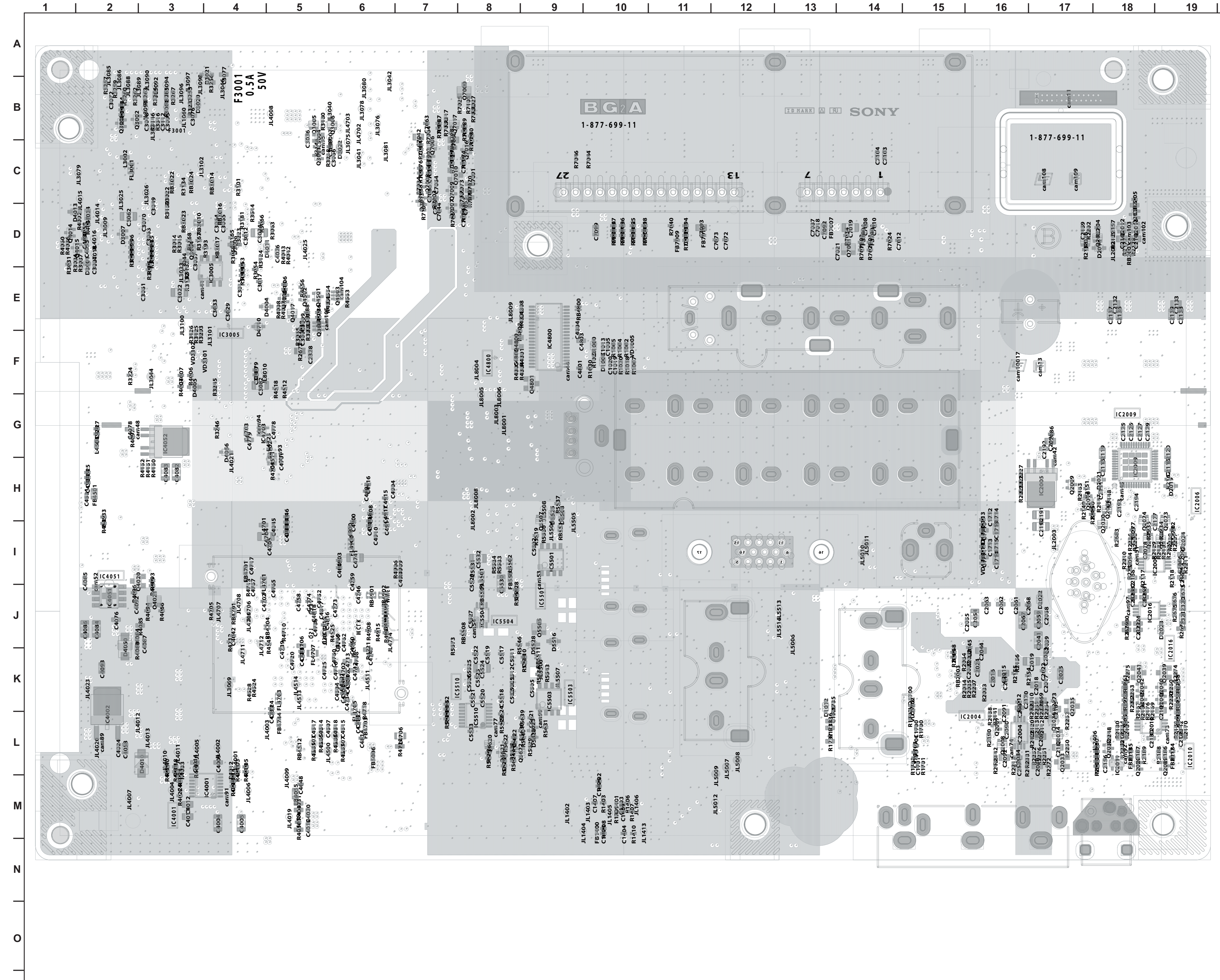
BG2A 6/8
HDMI & PC

BG2A BOARD SCHEMATIC DIAGRAM (7 OF 8)

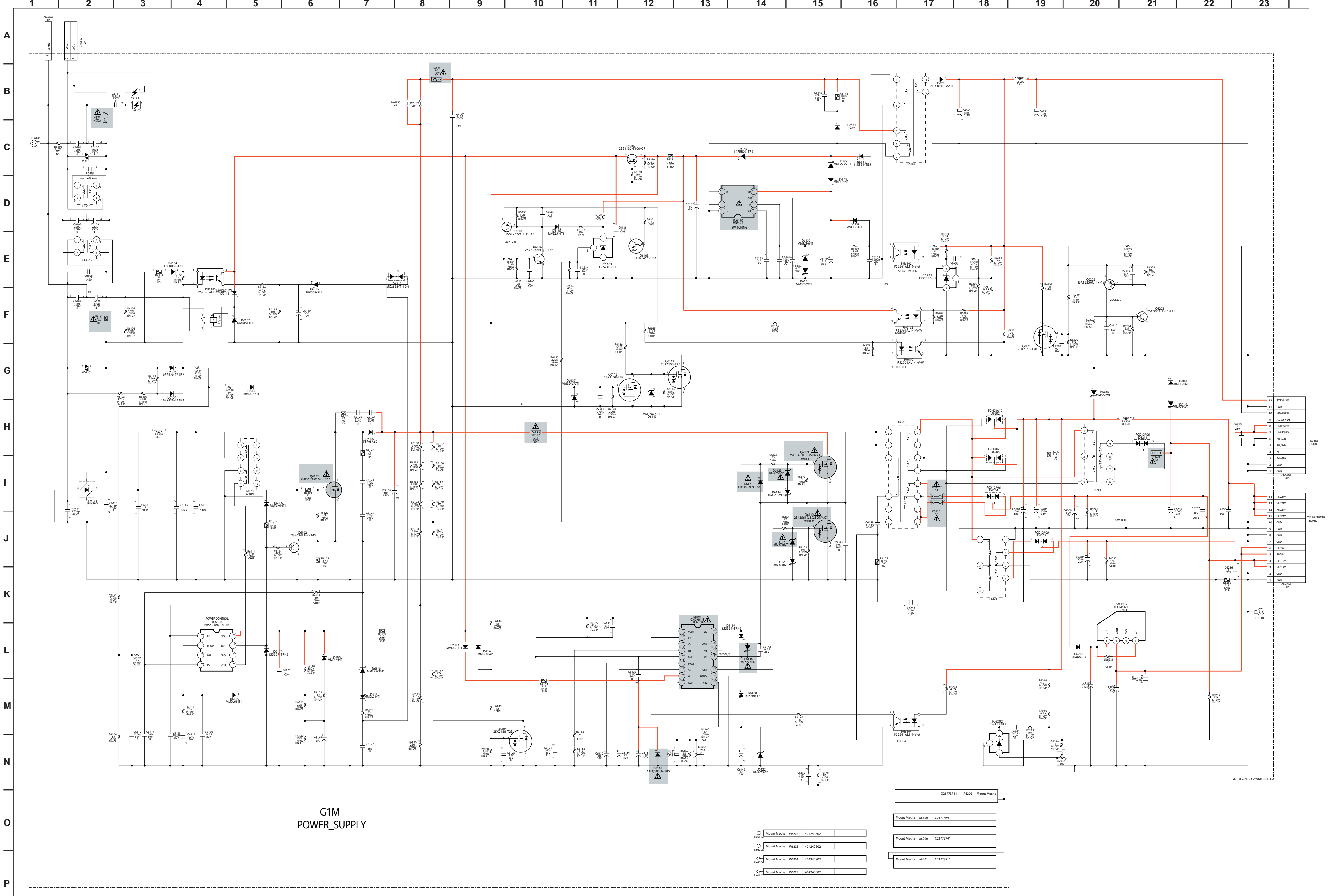


BG2A 7/8
POWER & DC ALERT

BG2A [I/O, AUDIO, MAIN MICRO, VIDEO SW & TRIDENT, DDR, HDMI & PC, POWER & DC ALERT, TUNER MSP] CONDUCTOR SIDE



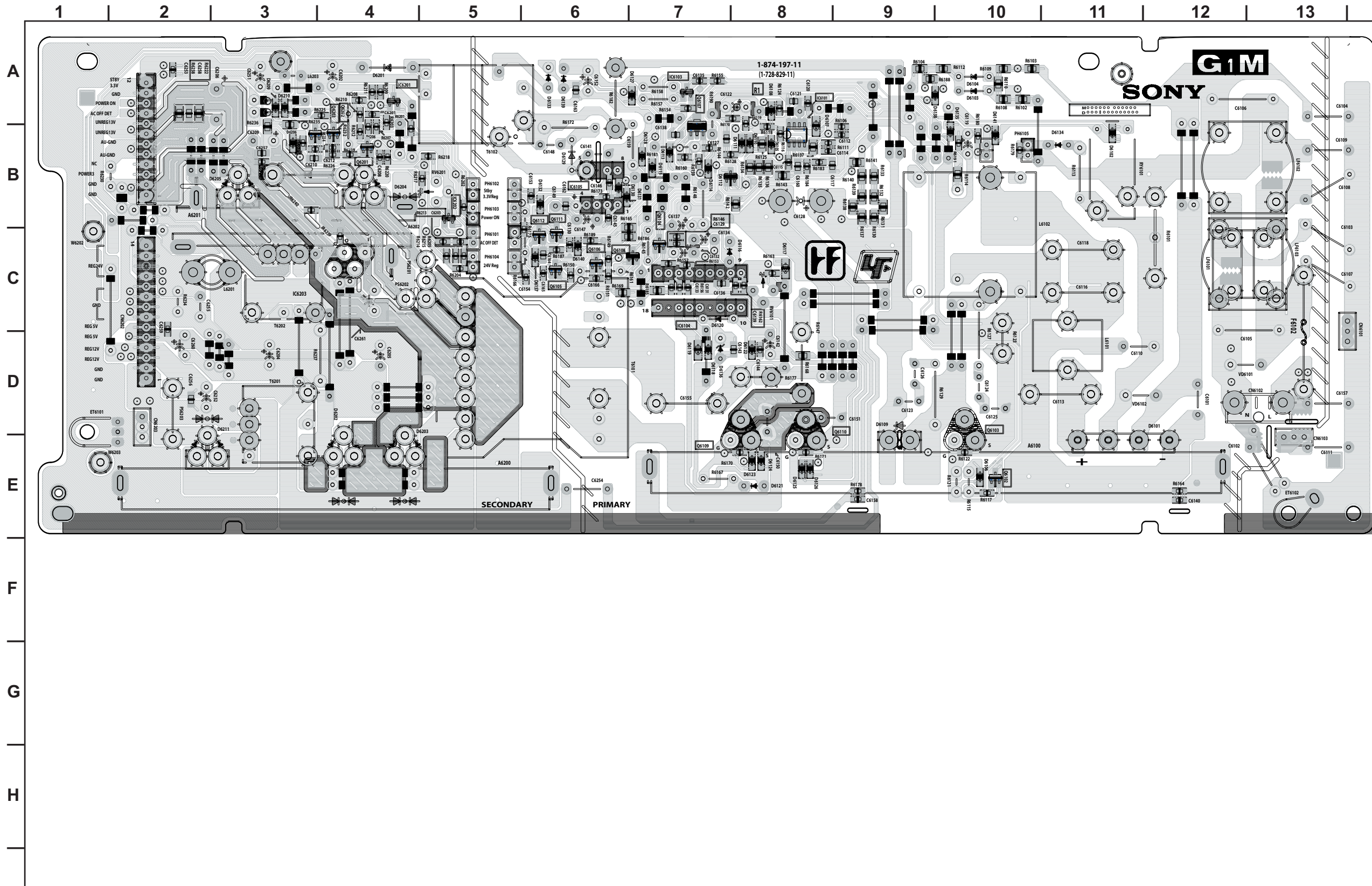
G1M BOARD SCHEMATIC DIAGRAM (KLV-32L400A ONLY)



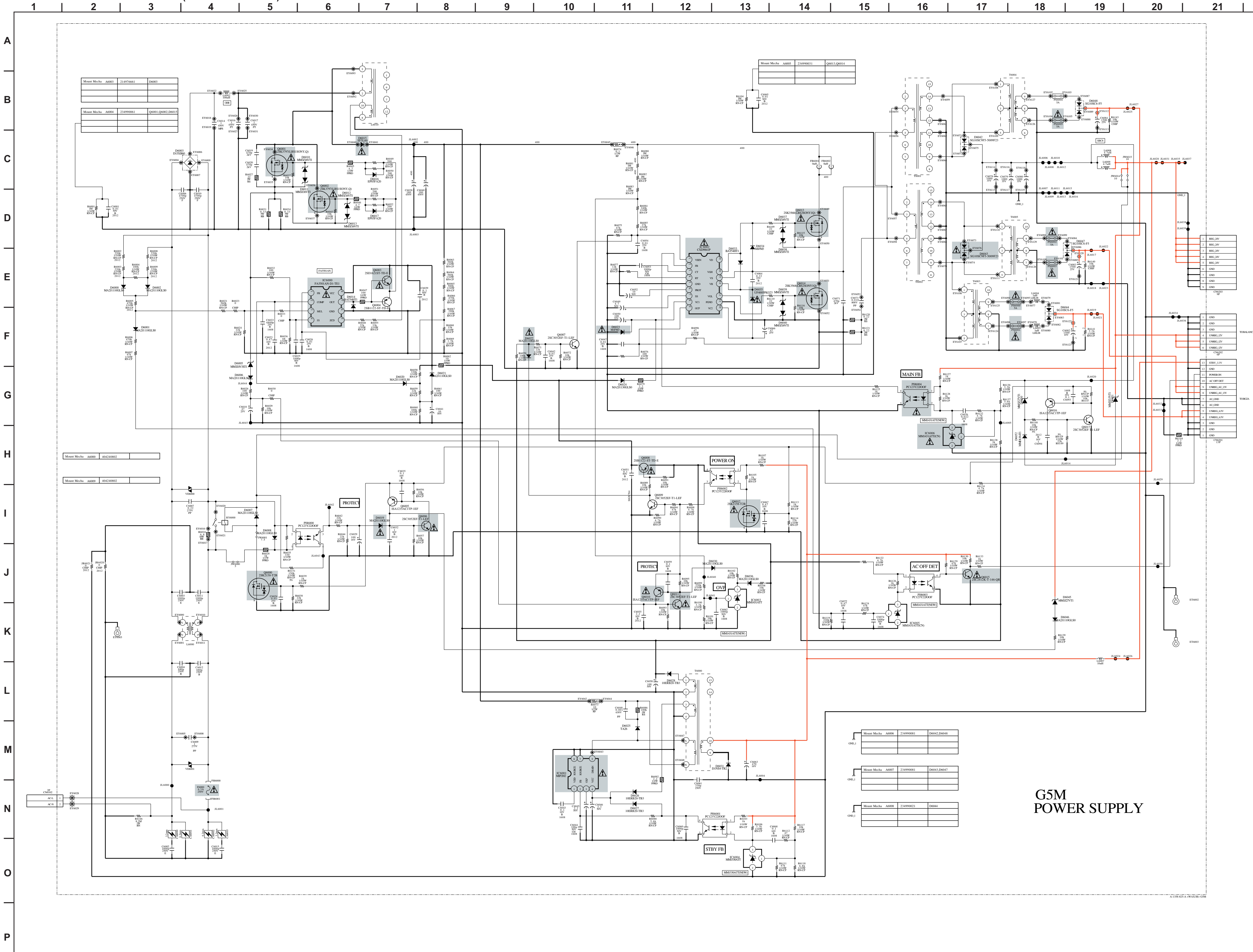
G1M POWER_SUPPLY

Mount Mecha	W620	A04240802
Mount Mecha	A6100	K21773801
Mount Mecha	W603	A04240802
Mount Mecha	W604	A04240802
Mount Mecha	W605	A04240802
Mount Mecha	A6201	K21773711

G1M [POWER]
CONDUCTOR SIDE (KLV-32L400A ONLY)



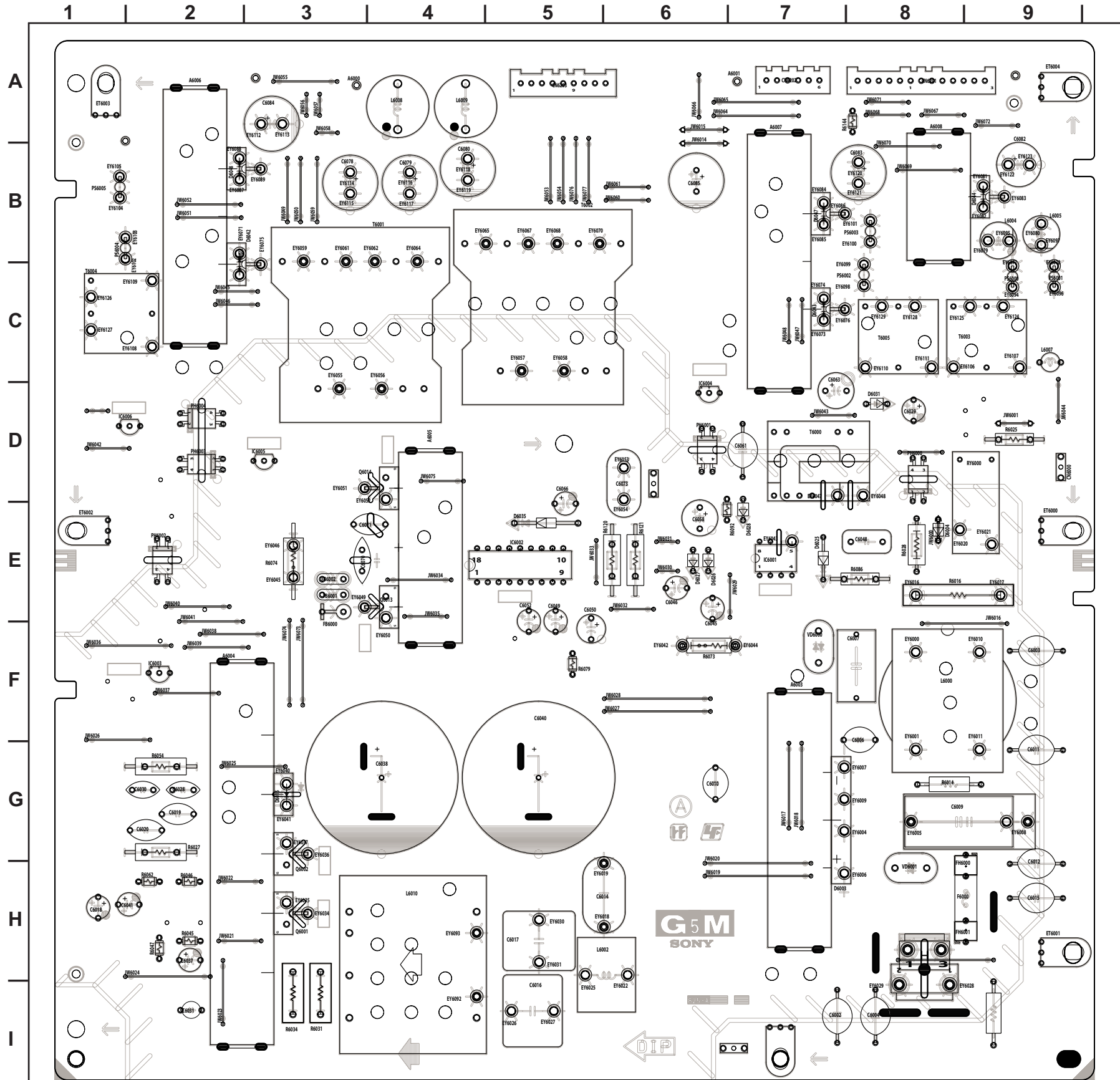
G5M BOARD SCHEMATIC DIAGRAM (KLV-37L400A ONLY)



G5M POWER SUPPLY

G5M^[POWER]

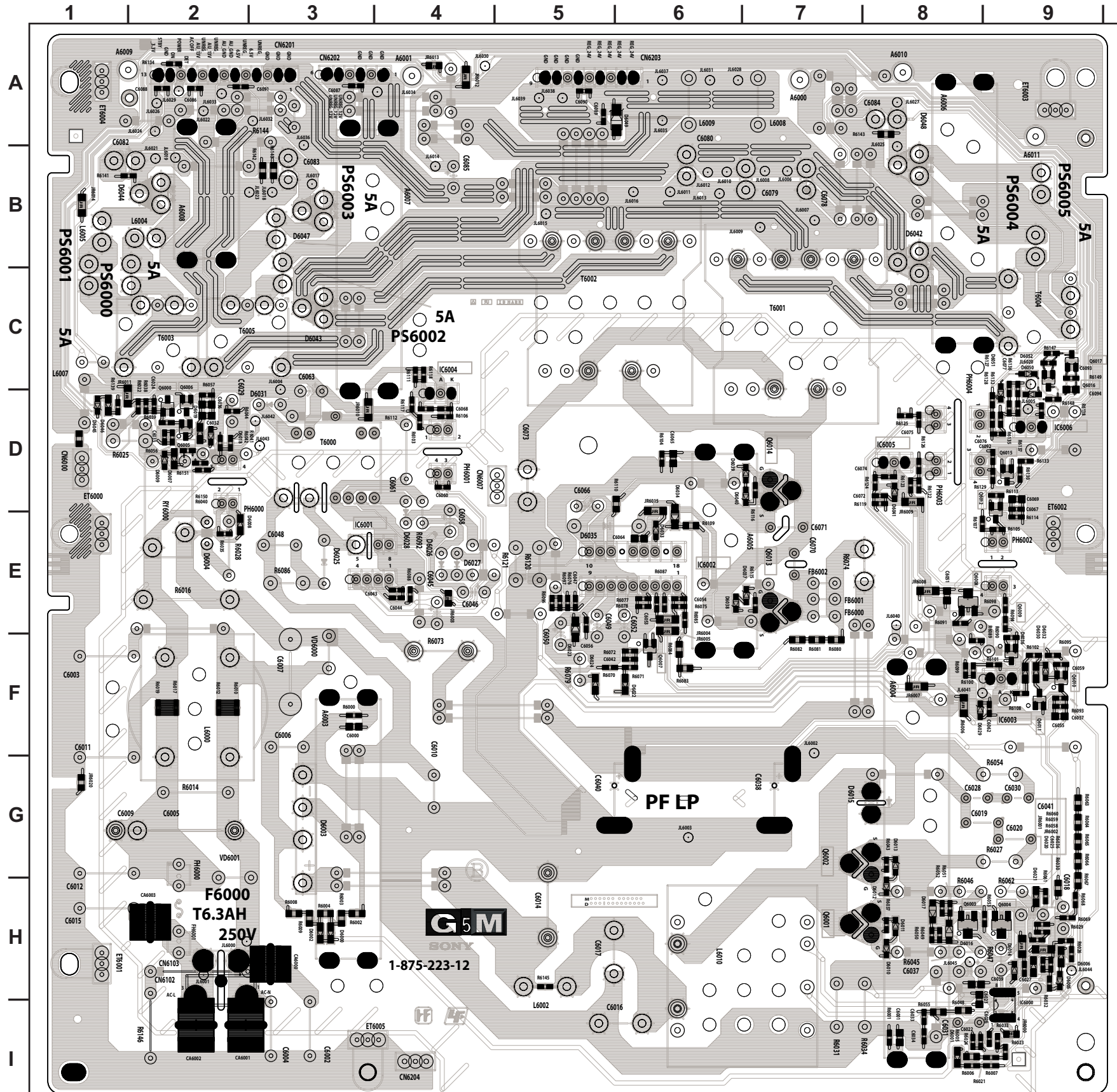
COMPONENT SIDE (KLV-37L400A ONLY)



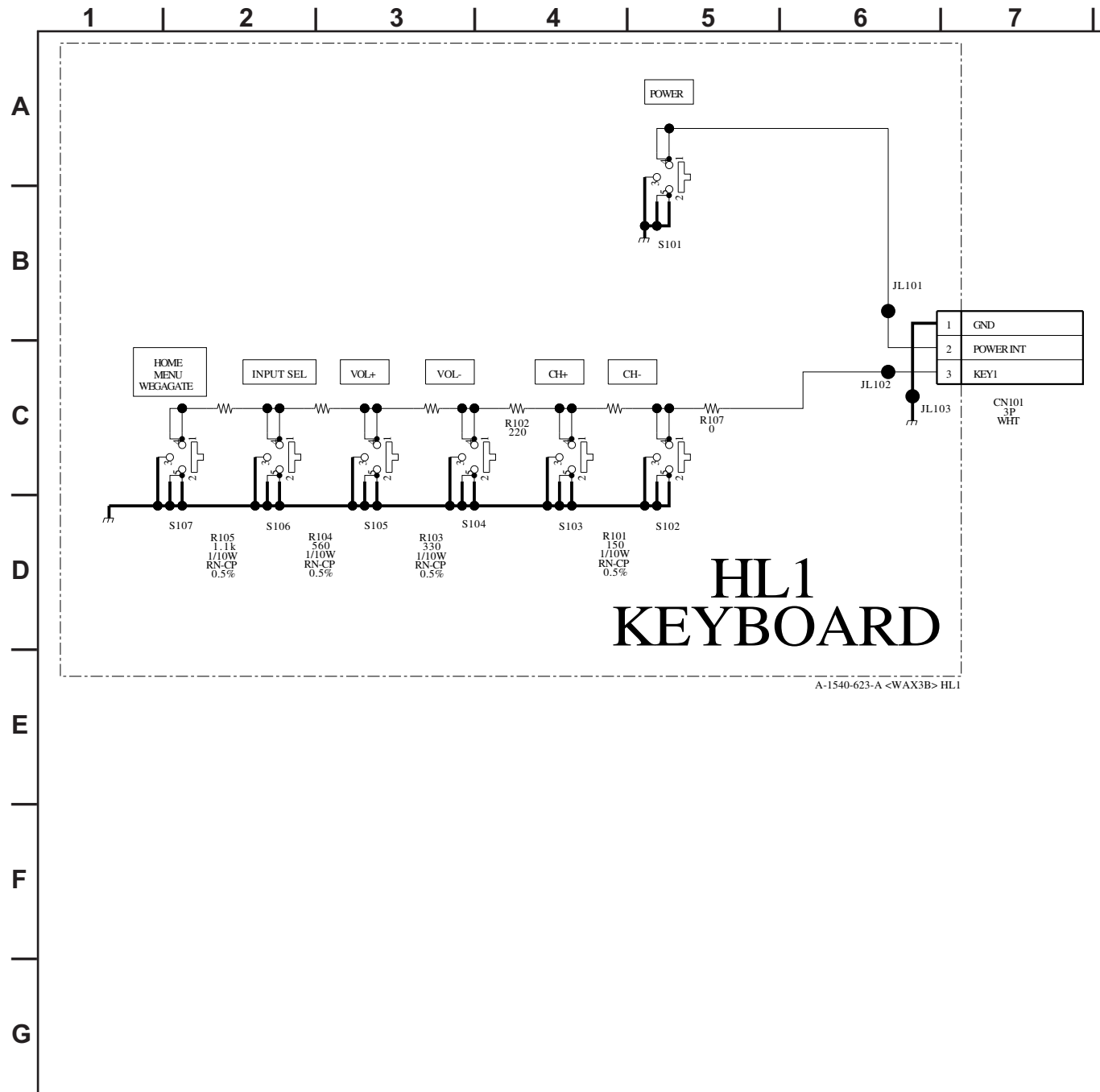
G5M

[POWER]

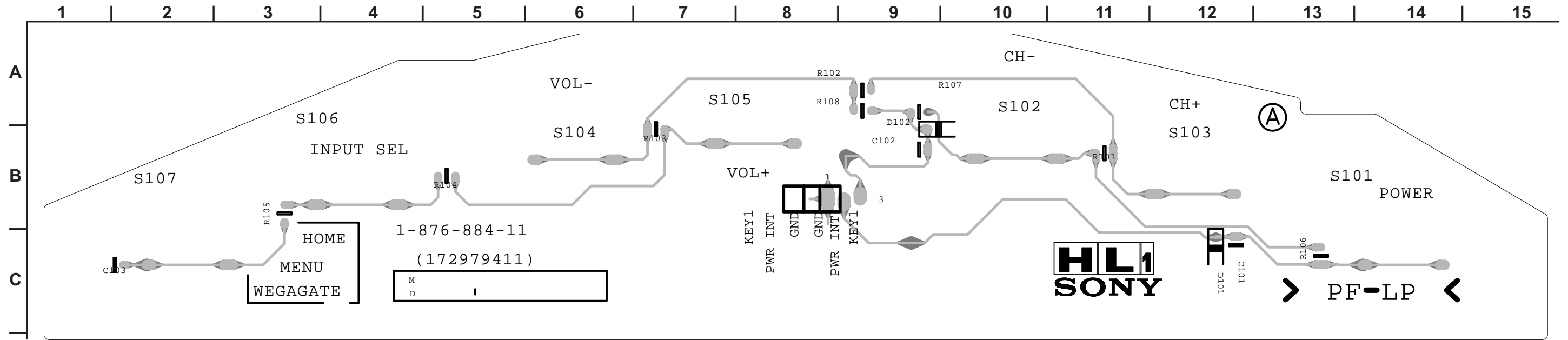
CONDUCTOR SIDE (KLV-37L400A ONLY)



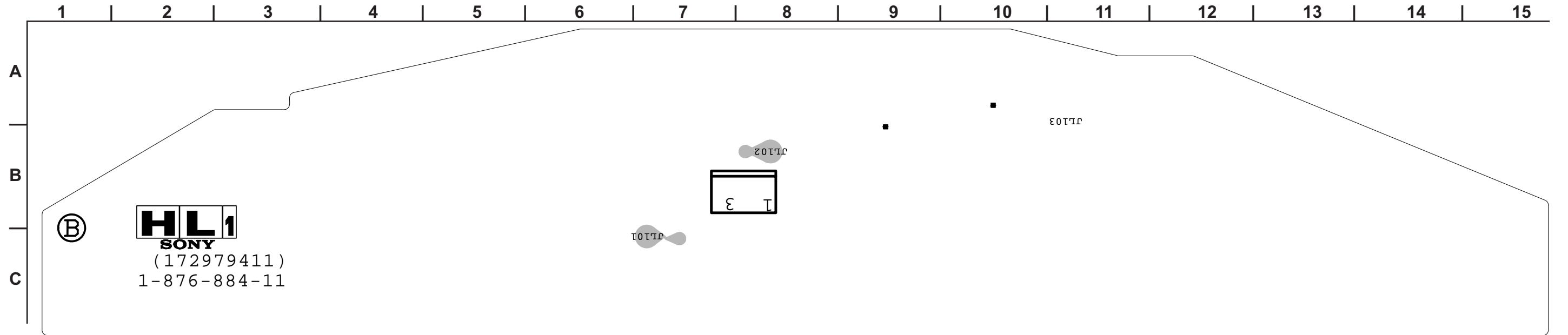
HL1 BOARD SCHEMATIC DIAGRAM



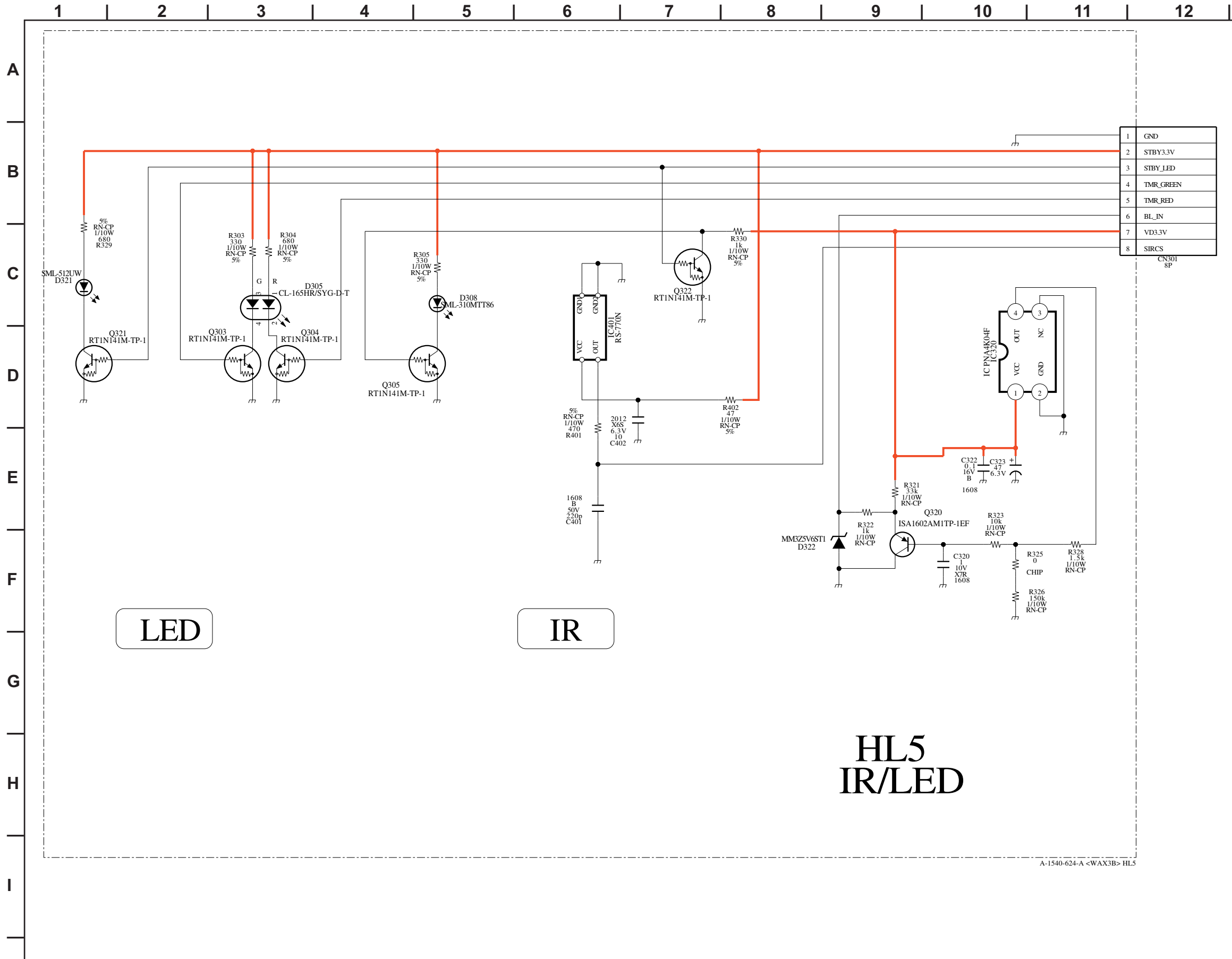
HL1 [KEYBOARD]
COMPONENT SIDE



HL1 [KEYBOARD]
CONDUCTOR SIDE



HL5 BOARD SCHEMATIC DIAGRAM



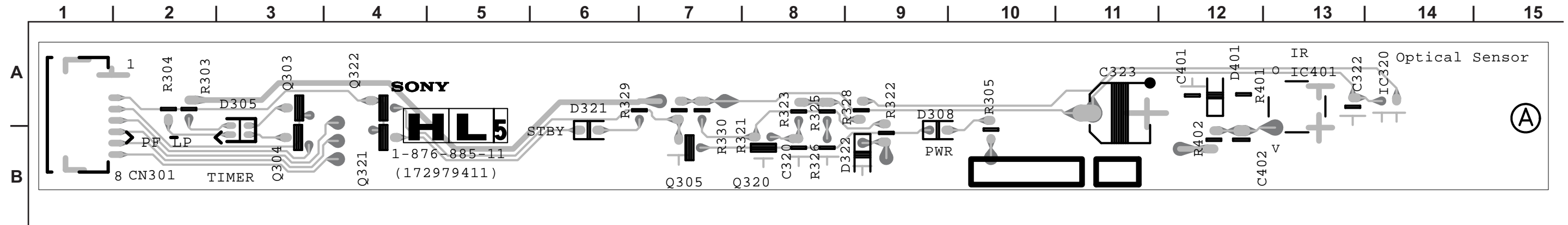
LED

IR

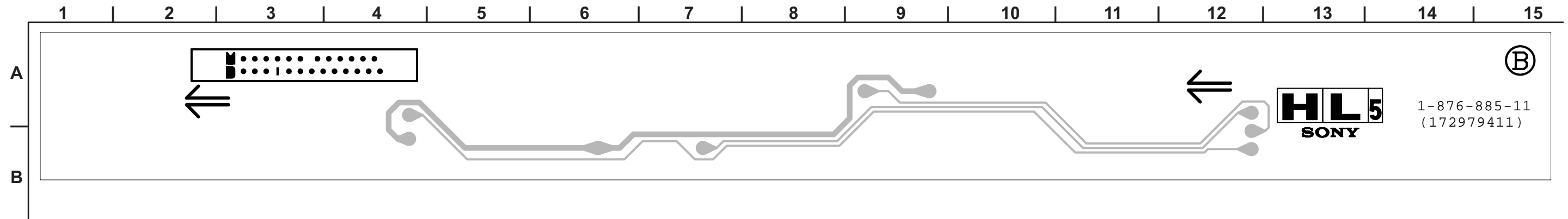
HL5
IR/LED

A-1540-624-A <WAX3B> HL5

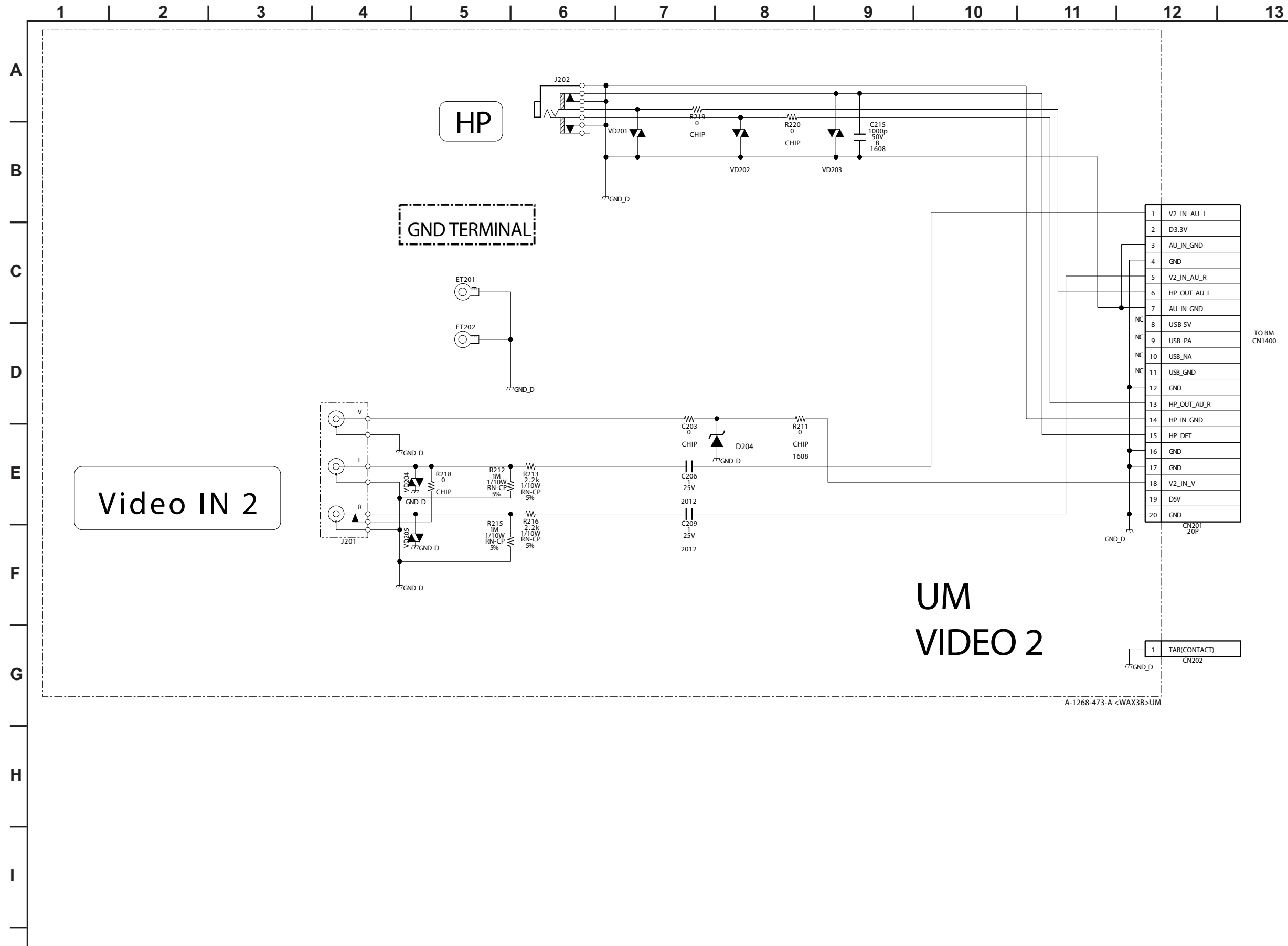
HL5 [IR & LED]
COMPONENT SIDE



HL5 [IR & LED]
CONDUCTOR SIDE

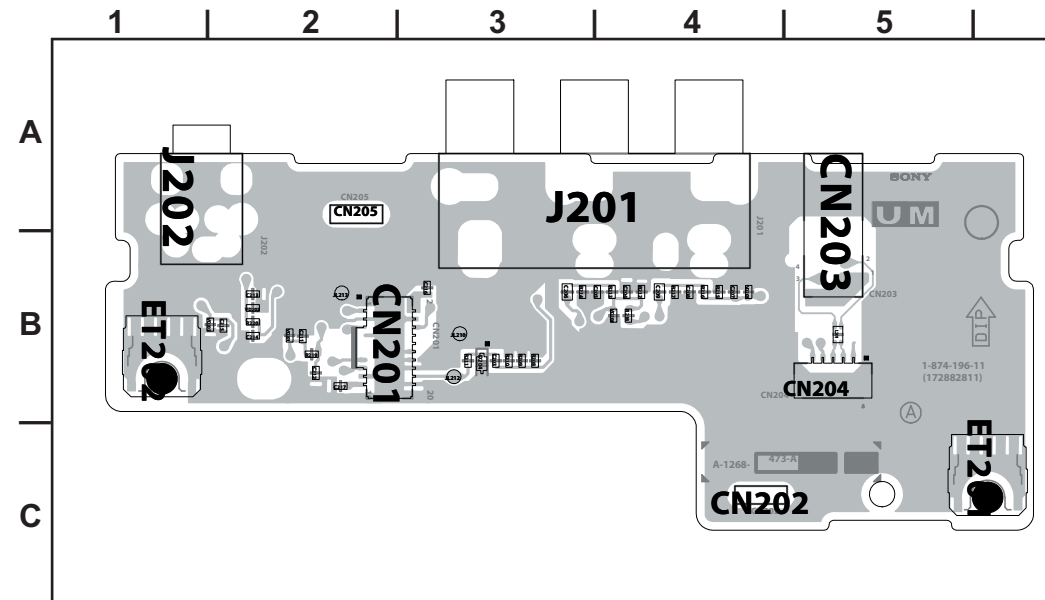


UM BOARD SCHEMATIC DIAGRAM

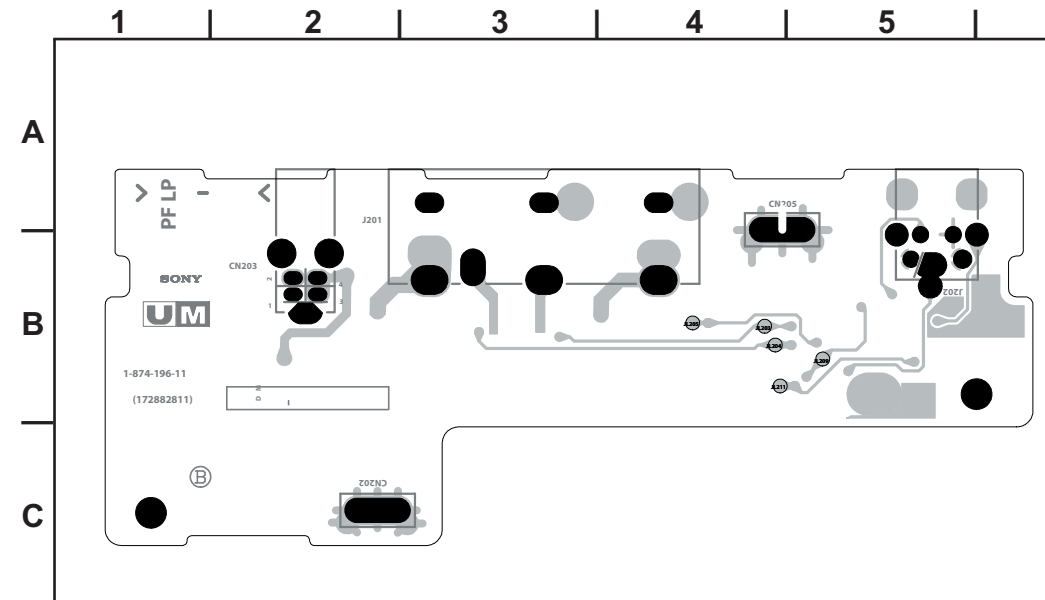


A-1268-473-A <WAX3B>UM

UM [VIDEO 2]
COMPONENT SIDE



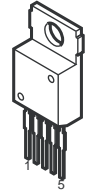
UM [VIDEO 2]
CONDUCTOR SIDE



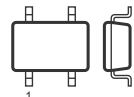
3-5. SEMICONDUCTORS

IC

BA00AST-V5

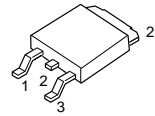


BA05FP-E2
BA09FP-E2
S-1111B33MC-NYSTFG
S-80928CNMC-G8YT2G
TC7SZ125FU(TE85R)

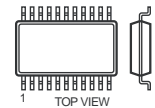


5Pin CHIP

BA18BC0FP-E2
BA25BC0FP-E2

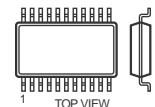


BR24L02F-WE2
CS4335-KSZR
FA5501N-TE1
LM75CIMX-3
M24128-BWMN6T(A)
M24C02-WMN6T(B)
NJM2521V(TE2)
NJM3414AV(TE2)
RC4558DR
RC4558PWR



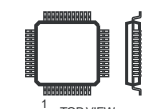
8Pin SOP

CD4052BNSR
FMS6418AM16X



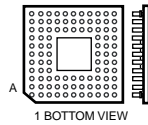
16Pin SOP

CXA2188Q-T4



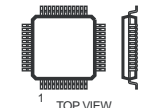
40Pin QFP

EM6A9320BI-5MG



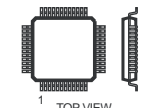
144Pin PGA

HD6433692A39FXV
HD64F3694FXV-DA4
TPA3004D2PHPR



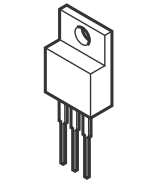
48Pin QFP

HD64F2378-12681-01

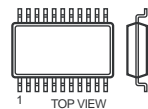


144Pin QFP

L88M05T-FA-TL

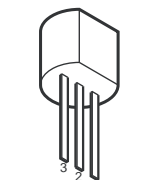


M52347FP-TE

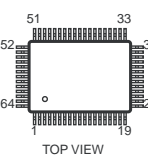


20Pin SOP

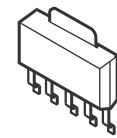
MM1431ATT



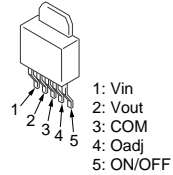
NJW1149AFH1



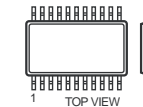
PQ1CY1032ZP



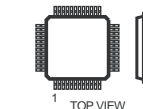
PQ1CZ41H2ZPH



RV5C387A-E2-FB

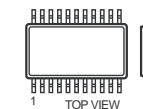


SH9993CTG100



100Pin QFP

SN74LV132APWR
SN74LVC14APWR



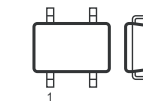
14Pin SOP

STR-A6169



8Pin DIP

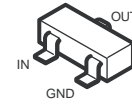
TK11819MTL



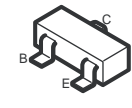
6Pin CHIP

TRANSISTOR

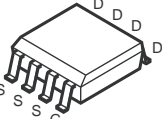
DTC114EU
DTC114EUAFT106



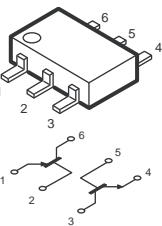
DTC114EUA-T106
DTC115EUA-T106
DTC144WKA-T146
DTC314TK-T-146
DTC323TK
DTC323TKT146
MUN2211T1
MUN2212T1
MUN5213T1
PDTC114EK-115
UN2211
2PA1576R-115
2PC4081R-115
2PD601AR-115
2SA1037AK-T146-QR
2SA1037AK-T146-R
2SA1576A-T106-QR
2SA1774R
2SA1774TL-QR
2SC1623-L5L6
2SC2412K-T-146-QR
2SC4081-R
2SC4081T106R
2SC4617R
2SC4617TL-QR
2SD2114K
2SD601A-Q-TX



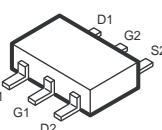
FDS6690A



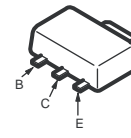
HN1B01FU-TE85R



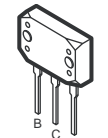
SSM6N15FU(TE85R)



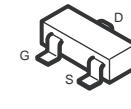
2SB1122-S
2SB1122-ST-TD-E
2SD1621-ST
2SD1621ST-TD-E



2SD2114KT146

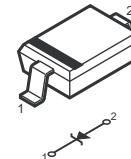


2SK2158-T2B

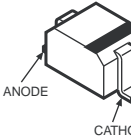


DIODE

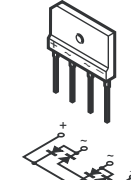
BAS316-115
EP05FA20
MM3Z10VT1
MM3Z11VT1
MM3Z13VT1
MM3Z18VST1
MM3Z22VT1
MM3Z2V4T1
MM3Z5V6ST1
MM3Z6V2ST1
MM3Z6V8ST1
MM3Z8V2ST1



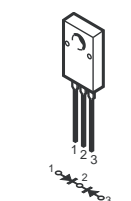
BAT54HT1
DTZ10B
HZU5.6GTRF
MA113-(TX)
MMDL914T1
RD5.6SB-T1
UDZ-TE-17-18B
UDZ-TE-17-6.2B
UDZ-TE-17-6.8B



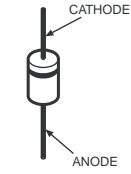
D10SBS4
D10SBS4F
D2SB60A-F04
D4SB60L



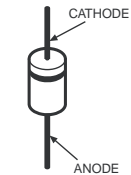
D10SC6M



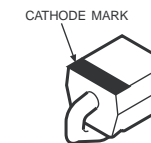
D1NL40-TA2
D1NL40-TR2
ERA22-08



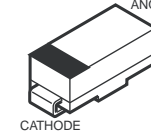
D1NS6
D1NS6-TR
ERA22-06AVRBT
UF4005PKG23
10ERB20-TB3
1N5404TU



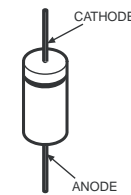
EC10QS-04
EC10QS04-TE12L5



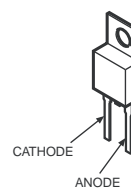
EC21QS03L-TE12L
P6SMBJ30A-5
PTZ-TE25-3.9B



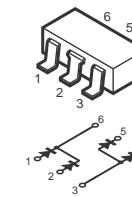
ERA22-08KFLB



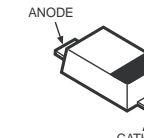
FSF05A60



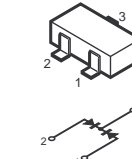
HN1D03FU-TE85L
HN1D03FU-TE85R



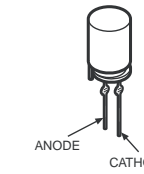
M1FM3



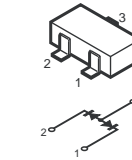
MA132WK
MA132WK-TX
MA151WK-TX
1SS184



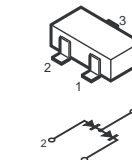
UDZSTE-1710B



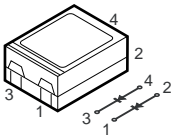
UMZ16NT106



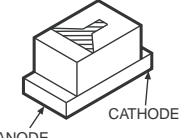
1PS302



SML-020MVT-T86



SML-310LTT86





SECTION 4: EXPLODED VIEWS

Components not identified by a part number or description are not stocked because they are seldom required for routine service.

The component parts of an assembly are indicated by the reference numbers in the far right column of the parts list and within the dotted lines of the diagram.

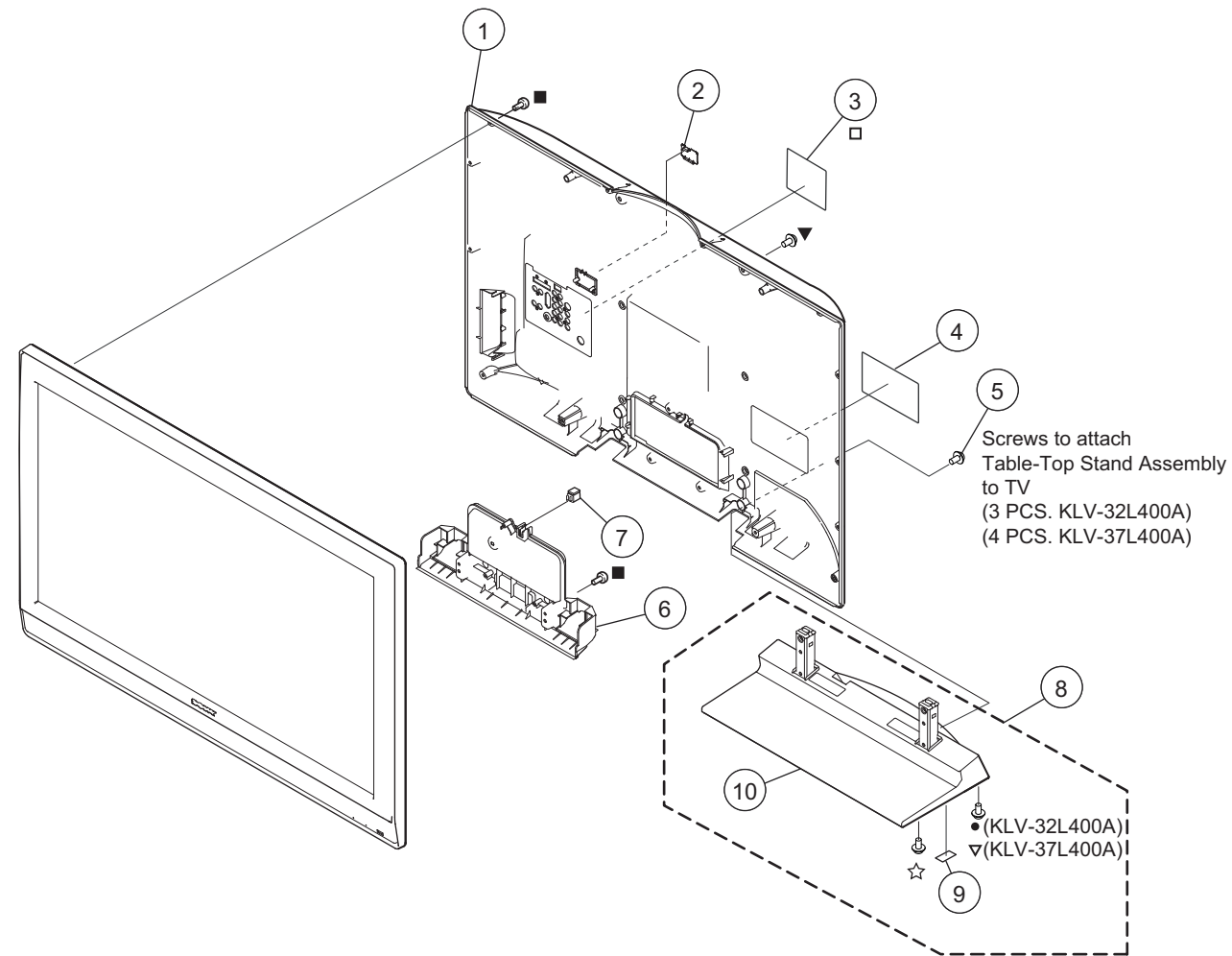
* Items marked with an asterisk are not stocked since they are seldom required for routine service. Expect some delay when ordering these components.

NOTE: The components identified by shading and  mark are critical for safety. Replace only with part number specified.

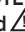
NOTE: The components identified by a red outline and a  mark contain confidential information. Specific instructions must be adhered to whenever these components are repaired and/or replaced. See Appendix A: Encryption Key Components in the back of this manual.


4-1. REAR COVER ASSEMBLY AND TABLE-TOP STAND ASSEMBLY

- 2-580-640-01 SCREW, +BVTP2 4X16
- 7-685-648-79 SCREW +BVTP 3X12 TYPE2 TT(B)
- ▼ 2-580-608-01 SCREW, +PSW M5X16
- ▽ 2-580-607-01 SCREW, +PSW M5X12 (KLV-37L400A ONLY)
- 2-580-606-01 SCREW, +PSW M5X8
- ☆ 2-580-644-01 SCREW, +KTP2 3X8








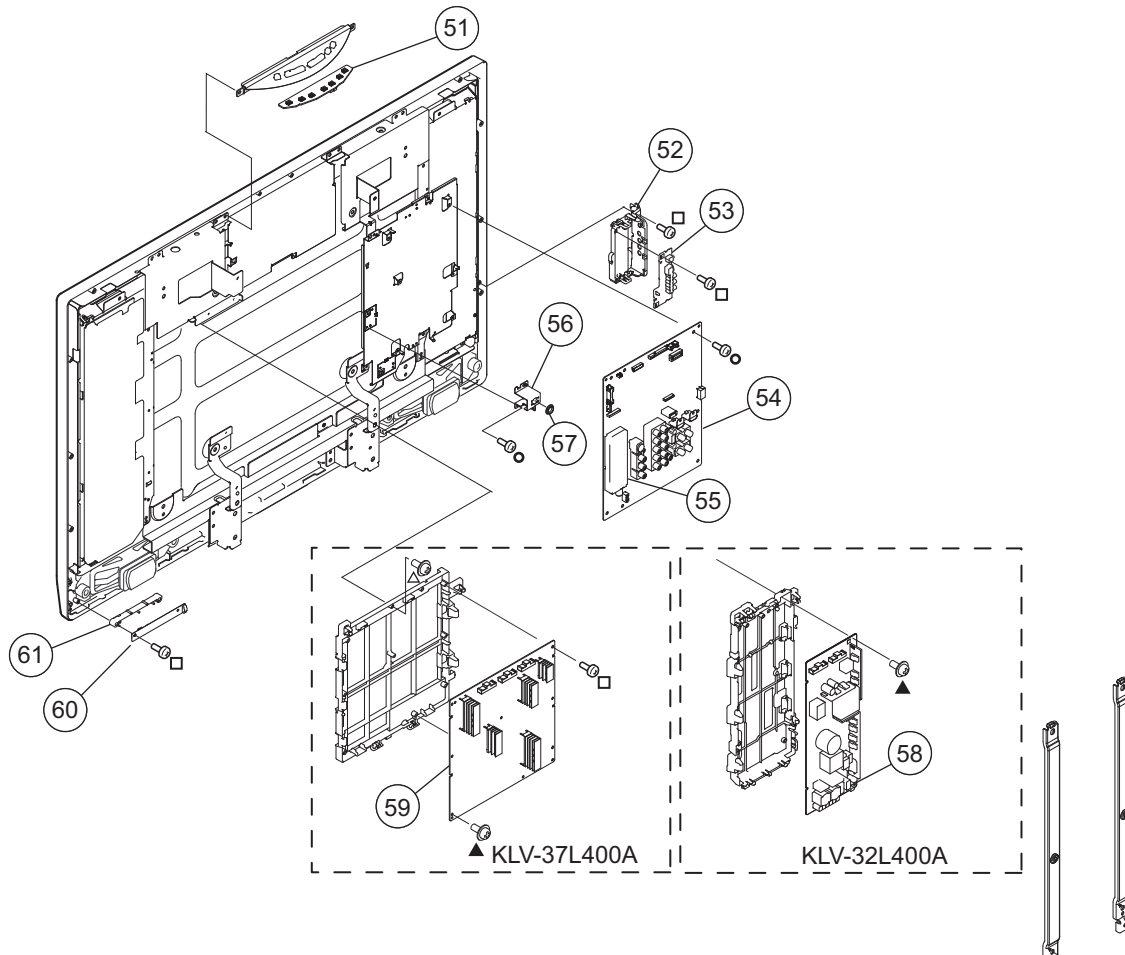
REF. NO.	PART NO.	DESCRIPTION	[ASSEMBLY INCLUDES]	REF. NO.	PART NO.	DESCRIPTION	[ASSEMBLY INCLUDES]
1	3-210-439-11	COVER, REAR (32) (KLV-32L400A ONLY)		5	2-580-608-01	SCREW, +PSW M5X16 (SCREWS TO ATTACH TABLE-TOP STAND TO LCD TV)	
1	3-218-557-01	COVER, REAR (37) (KLV-37L400A ONLY)				For product protection and safety reasons, Sony strongly recommends that you use the screws provided with the TV.	
2	3-196-465-11	COVER, ECS (KLV-32L400A ONLY)		6	3-218-558-01	COVER, UNDER (37) (KLV-37L400A ONLY)	
2	3-196-465-01	COVER, ECS (KLV-37L400A ONLY)		7	4-022-115-00	HOLDER, AC CORD	
3	4-105-740-01	LABEL, REAR TERMINAL		8	A-1541-637-A	TABLE-TOP STAND ASSEMBLY (M-2) (KLV-32L400A ONLY)	[9-10]
* 4	4-110-261-01	LABEL, INFORMATION (KLV-32L400A ONLY)		8	A-1560-459-A	TABLE-TOP STAND ASSEMBLY (ML-2) (KLV-37L400A ONLY)	[9-10]
* 4	3-874-514-01	LABEL, INFORMATION (KLV-37L400A ONLY)		9	3-213-762-01	FOOT (15X30)	
				10	3-210-444-21	COVER, STAND (KLV-32L400A ONLY)	
				10	3-106-490-22	COVER, STAND (ML) (KLV-37L400A ONLY)	



NOTE: The components identified by shading and  mark are critical for safety. Replace only with part number specified.

NOTE: The components identified by a red outline and a  mark contain confidential information. Specific instructions must be adhered to whenever these components are repaired and/or replaced. See Appendix A: Encryption Key Components in the back of this manual.

4-2. CHASSIS

	7-685-648-79	SCREW +BVTP 3X12 TYPE2 TT(B)
	2-580-608-01	SCREW, +PSW M5X16
	2-580-629-01	SCREW, +BVST 3X8
	2-674-965-31	SCREW, +PSW 3SG (KLV-32L400A ONLY)
	2-580-591-01	SCREW, +PSW M3X5



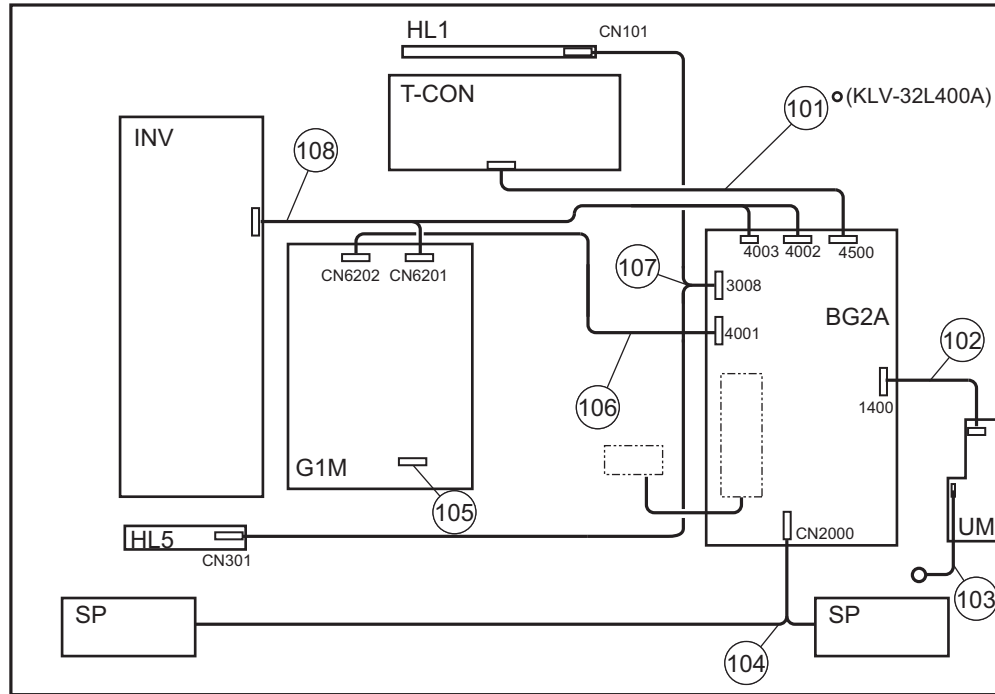
REF. NO.	PART NO.	DESCRIPTION	[ASSEMBLY INCLUDES]	REF. NO.	PART NO.	DESCRIPTION	[ASSEMBLY INCLUDES]
51	A-1540-623-A	HL1 BOARD, MOUNTED		* 56	3-286-966-01	BRACKET, RF	
52	3-106-473-22	HOLDER, SIDE JACK(M)		57	3-682-691-00	NUT, WASHER HEXAGON	
53	A-1268-473-A	UM BOARD, MOUNTED		58	A-1513-114-A	G1M BOARD, MOUNTED (KLV-32L400A ONLY)	
	A-1556-837-A	BG2A BOARD, MOUNTED (KLV-32L400A ONLY)		59	A-1358-825-A	G5M BOARD, MOUNTED (KLV-37L400A ONLY)	
	A-1556-847-A	BG2A BOARD, MOUNTED (KLV-37L400A ONLY)		60	3-296-407-01	LIGHT GUIDE	
55	8-597-611-00	TUNER, FSS BTF-CA411Z		61	A-1540-624-A	HL5 BOARD, MOUNTED	

NOTE: The components identified by shading and \triangle mark are critical for safety. Replace only with part number specified.

NOTE: The components identified by a red outline and a \triangle mark contain confidential information. Specific instructions must be adhered to whenever these components are repaired and/or replaced. See Appendix A: Encryption Key Components in the back of this manual.

4-3. CONNECTORS (KLV-32L400A ONLY)

○ 2-580-629-01 SCREW, +BVST 3X8



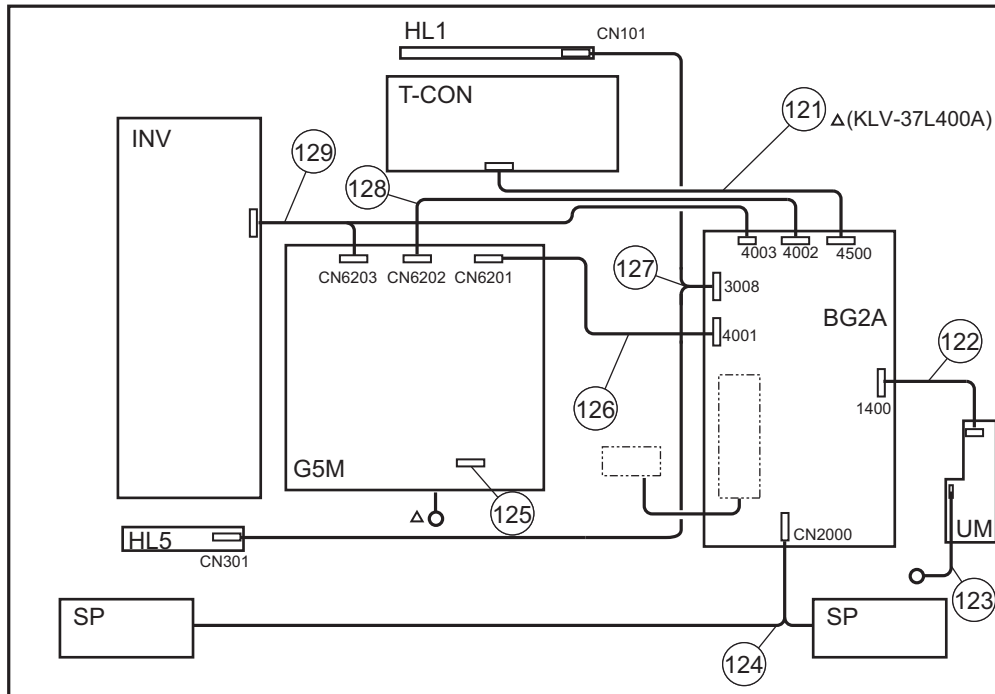
REF. NO.	PART NO.	DESCRIPTION	[ASSEMBLY INCLUDES]	REF. NO.	PART NO.	DESCRIPTION	[ASSEMBLY INCLUDES]
101	1-835-169-11	LEAD WIRE WITH CONNECTOR (LVDS)		\triangle 105	1-832-159-13	CORD, POWER (WITH CONNECTOR)	
102	1-910-045-03	CONN ASSEMBLY, 20P MM CRIMP 210		106	1-910-045-61	CONN ASSEMBLY, 12P MM CRIMP 450	
103	1-910-045-05	WIRE ASSEMBLY, FASTON TERMINAL		107	1-910-044-77	CONN ASSEMBLY, 11P MM CRIMP 890	
104	1-910-044-94	CONN ASSEMBLY, 4P SPEAKER FASTON		108	1-910-045-60	CONN ASSEMBLY, 14P MM CRIMP 790	

NOTE: The components identified by shading and Δ mark are critical for safety. Replace only with part number specified.


NOTE: The components identified by a red outline and a Δ mark contain confidential information. Specific instructions must be adhered to whenever these components are repaired and/or replaced. See Appendix A: Encryption Key Components in the back of this manual.


4-4. CONNECTORS (KLV-37L400A ONLY)

Δ 2-580-591-01 SCREW, +PSW M3X5



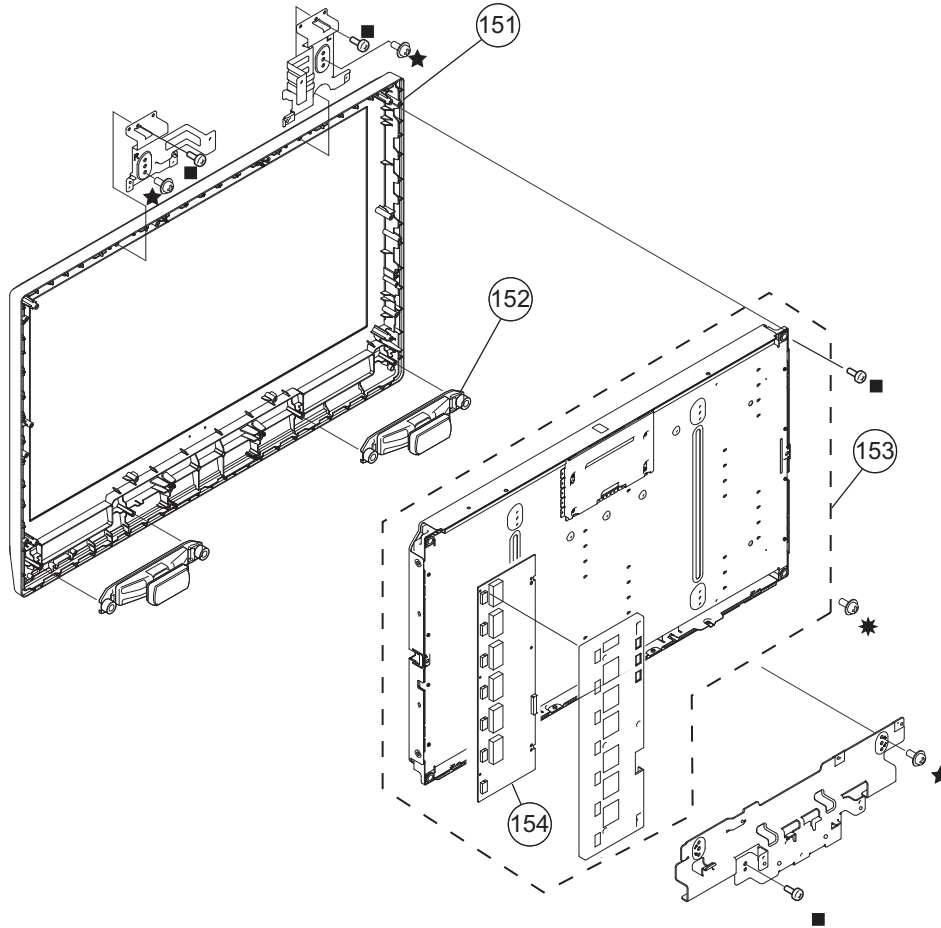
REF. NO.	PART NO.	DESCRIPTION	[ASSEMBLY INCLUDES]	REF. NO.	PART NO.	DESCRIPTION	[ASSEMBLY INCLUDES]
121	1-835-686-11	LEAD WIRE WITH CONNECTOR (LVDS)		Δ 125	1-832-159-13	CORD, POWER (WITH CONNECTOR)	
122	1-910-045-03	CONN ASSEMBLY, 20P MM CRIMP 210		126	1-910-038-34	CONN ASSEMBLY, 13P MM CRIMP 340	
123	1-910-045-05	WIRE ASSEMBLY, FASTON TERMINAL		127	1-910-044-77	CONN ASSEMBLY, 11P MM CRIMP 890	
124	1-910-044-94	CONN ASSEMBLY, 4P SPEAKER FASTON		128	1-910-047-30	CONN ASSEMBLY, 6P MM CRIMP 430	
124	1-910-044-92	CONN ASSEMBLY, 4P SPEAKER FASTON		129	1-910-047-29	CONN ASSEMBLY, 14P MM CRIMP 700	

NOTE: The components identified by shading and  mark are critical for safety. Replace only with part number specified.


NOTE: The components identified by a red outline and a  mark contain confidential information. Specific instructions must be adhered to whenever these components are repaired and/or replaced. See Appendix A: Encryption Key Components in the back of this manual.


4-5. BEZEL ASSEMBLY AND LCD PANEL (KLV-32L400A ONLY)

- 2-580-640-01 SCREW, +BVTP2 4X16
- ★ 2-580-600-01 SCREW, +PSW M4X8
- ✱ 2-580-654-01 SCREW, +PWTP2 4X16



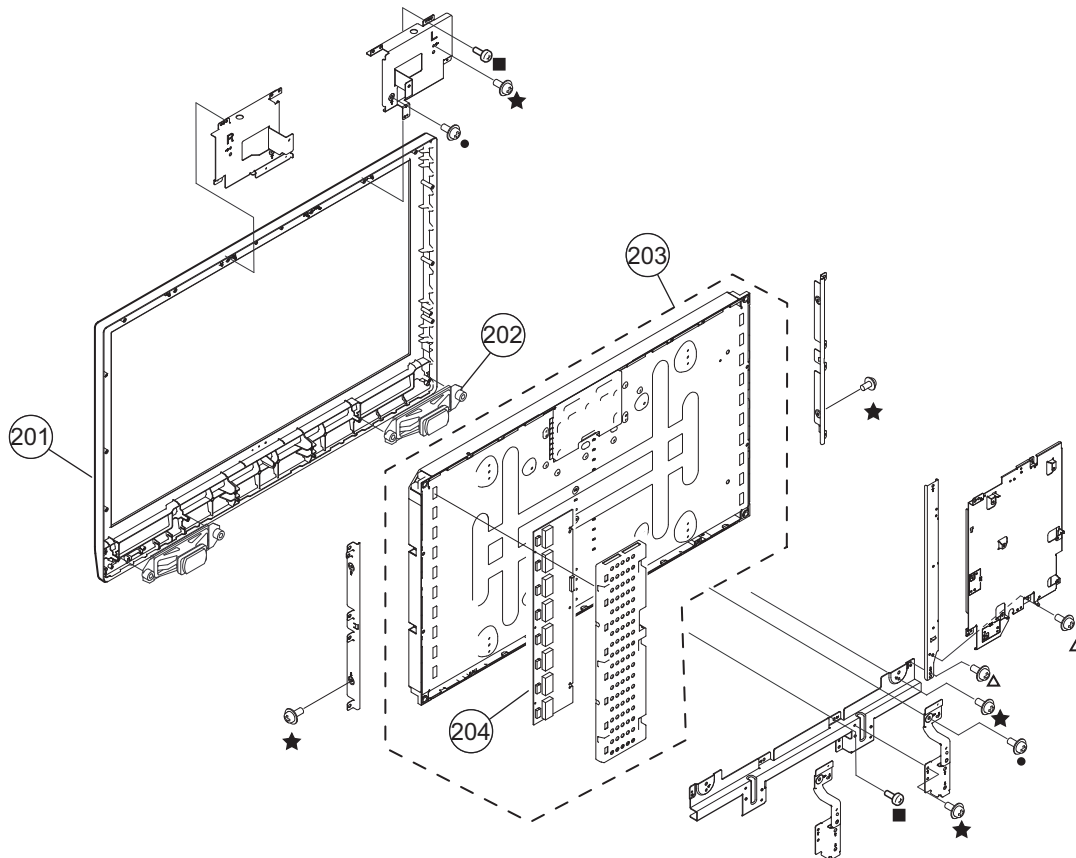
REF. NO.	PART NO.	DESCRIPTION	[ASSEMBLY INCLUDES]	REF. NO.	PART NO.	DESCRIPTION	[ASSEMBLY INCLUDES]
151	A-1541-633-A	BEZEL ASSEMBLY (32)		153	1-802-614-11	LCD PANEL(32INCH WXGA TFT)	[154]
152	1-826-363-11	LOUDSPEAKER (4.2X15CM)		154	1-857-133-11	ETC-INVERTER MOUNT BOARD	

NOTE: The components identified by shading and  mark are critical for safety. Replace only with part number specified.

NOTE: The components identified by a red outline and a  mark contain confidential information. Specific instructions must be adhered to whenever these components are repaired and/or replaced. See Appendix A: Encryption Key Components in the back of this manual.

4-6. BEZEL ASSEMBLY AND LCD PANEL (KLV-37L400A ONLY)

- 2-580-640-01 SCREW, +BVTP2 4X16
- ▼ 2-580-608-01 SCREW, +PSW M5X16
- 2-580-606-01 SCREW, +PSW M5X8
- ★ 2-580-600-01 SCREW, +PSW M4X8
- ✱ 2-580-654-01 SCREW, +PWTP2 4X16



REF. NO.	PART NO.	DESCRIPTION	[ASSEMBLY INCLUDES]	REF. NO.	PART NO.	DESCRIPTION	[ASSEMBLY INCLUDES]
201	A-1560-452-A	BEZEL ASSEMBLY (37)		203	1-802-622-11	LCD PANEL (37INCH WXGA TFT)	[204]
202	1-826-363-11	LOUDSPEAKER (4.2X15CM)		204	1-857-097-11	ETC-INVERTER MOUNT BOARD	

4-7. SCREW LEGEND

	P/N	DISCRIPTION	REMARKS	TOTAL
KLV-32L400A				
■	2-580-640-01	SCREW, +BVTP2 4X16	RC-14 TOP(L)-1 TOP(R)-1 BOTOM BRKT-2 UNDER COVER-2 LCD-2	22
□	7-685-648-79	SCREW +BVTP 3X12 TYPE2 TT(B)	SIDE JACK-1 UM-2 G1-3 HL5-2 RC-2	10
▼	2-580-608-01	SCREW, +PSW M5X16	VESA-2 RC-2 STAND/UC-3	7
▽	2-580-607-01	SCREW, +PSW M5X12	(none)	0
•	2-580-606-01	SCREW, +PSW M5X8	STAND ASSY-5	5
☆	2-580-644-01	SCREW, +KTP2 3X8	STAND ASSY-9	9
★	2-580-600-01	SCREW, +PSW M4X8	TOP(L)-2 TOP(R)-2 BOTOM BRKT-4	8
○	2-580-629-01	SCREW, +BVST 3X8	BG2A-6 RF BRACKET-2 LVDS-1	9
▲	2-674-965-31	SCREW, +PSW 3SG	G1-3	3
△	2-580-591-01	SCREW, +PSW M3X5	BOTTOM SHIELD-4	4
✱	2-580-654-01	SCREW, +PWTP2 4X16	LCD-1	1
✧	2-580-626-01	SCREW, SP 4-4O UNC	TERMINAL-2	2
KLV-37L400A				
■	2-580-640-01	SCREW, +BVTP2 4X16	RC-16 TOP(L)-1 TOP(R)-1 BOTOM BRKT-2 UNDER COVER-2	22
□	7-685-648-79	SCREW +BVTP 3X12 TYPE2 TT(B)	SIDE JACK-1 UM-2 G5-2 HL5-2 RC-2	9
▼	2-580-608-01	SCREW, +PSW M5X16	FRAME BRKT-2 RC-2 STAND/UC-4	8
▽	2-580-607-01	SCREW, +PSW M5X12	STAND ASSY-10	10
•	2-580-606-01	SCREW, +PSW M5X8	TOP(L)-1 TOP(R)-1 FRAME BRKT-2	4
☆	2-580-644-01	SCREW, +KTP2 3X8	STAND ASSY-9	9
★	2-580-600-01	SCREW, +PSW M4X8	TOP(L)-1 TOP(R)-1 SIDE(L)-2 SIDE(R)-2 BOTOM BRKT-2 FRAME BRKT-4	12
○	2-580-629-01	SCREW, +BVST 3X8	BG2A-6 RF BRACKET-2	8
▲	2-674-965-31	SCREW, +PSW 3SG	G5-3	3
△	2-580-591-01	SCREW, +PSW M3X5	BOTTOM SHIELD-4 LVDS-1 G5-2	7
✱	2-580-654-01	SCREW, +PWTP2 4X16	(none)	0
✧	2-580-626-01	SCREW, SP 4-4O UNC	TERMINAL-2	2

SECTION 5: ELECTRICAL PARTS LIST

NOTE: The components identified by shading and \triangle mark are critical for safety. Replace only with part number specified.

* Items marked with an asterisk are not stocked since they are seldom required for routine service. Expect some delay when ordering these components.

BG2A

NOTE: The components identified by a red outline and a \triangle mark contain confidential information. Specific instructions must be adhered to whenever these components are repaired and/or replaced. See Appendix A: Encryption Key Components in the back of this manual.

RESISTORS

- All resistors are in ohms
- F : nonflammable
- All variable and adjustable resistors have characteristic curve B, unless otherwise noted.

When ordering parts by reference number, please include the board name.

REF. NO.	ART NO.	DESCRIPTION	VALUES	REF. NO.	ART NO.	DESCRIPTION	VALUES
BG2A				C1725	1-100-912-11	CERAMIC CHIP	1 μ F 10% 25V
BG2A				C1729	1-112-777-11	CERAMIC CHIP	0.01 μ F 10% 25V
BG2A				C2013	1-135-366-11	ELECT CHIP	100 μ F 20% 16V
BG2A				C2014	1-100-905-11	CERAMIC CHIP	0.001 μ F 10% 50V
BG2A				C2016	1-114-331-11	CERAMIC CHIP	4.7 μ F 10% 10V
BG2A				C2017	1-100-905-11	CERAMIC CHIP	0.001 μ F 10% 50V
BG2A				C2019	1-100-911-11	CERAMIC CHIP	4.7 μ F 10% 25V
BG2A				C2022	1-100-905-11	CERAMIC CHIP	0.001 μ F 10% 50V
BG2A				C2025	1-114-331-11	CERAMIC CHIP	4.7 μ F 10% 10V
BG2A				C2027	1-100-905-11	CERAMIC CHIP	0.001 μ F 10% 50V
BG2A				C2029	1-164-849-11	CERAMIC CHIP	9pF 0.50pF 50V
BG2A				C2030	1-164-849-11	CERAMIC CHIP	9pF 0.50pF 50V
BG2A				C2033	1-114-325-11	CERAMIC CHIP	0.1 μ F 10% 25V
BG2A				C2039	1-100-905-11	CERAMIC CHIP	0.001 μ F 10% 50V
BG2A				C2041	1-100-911-11	CERAMIC CHIP	4.7 μ F 10% 25V
BG2A				C2042	1-100-905-11	CERAMIC CHIP	0.001 μ F 10% 50V
BG2A				C2045	1-100-905-11	CERAMIC CHIP	0.001 μ F 10% 50V
BG2A				C2051	1-114-331-11	CERAMIC CHIP	4.7 μ F 10% 10V
BG2A				C2052	1-162-959-11	CERAMIC CHIP	330pF 5% 50V
BG2A				C2053	1-162-959-11	CERAMIC CHIP	330pF 5% 50V
BG2A				C2054	1-100-911-11	CERAMIC CHIP	4.7 μ F 10% 25V
BG2A				C2055	1-100-905-11	CERAMIC CHIP	0.001 μ F 10% 50V
BG2A				C2058	1-100-905-11	CERAMIC CHIP	0.001 μ F 10% 50V
BG2A				C2059	1-100-911-11	CERAMIC CHIP	4.7 μ F 10% 25V
BG2A				C2060	1-135-366-11	ELECT CHIP	100 μ F 20% 16V
BG2A				C2061	1-114-325-11	CERAMIC CHIP	0.1 μ F 10% 25V
BG2A				C2062	1-114-325-11	CERAMIC CHIP	0.1 μ F 10% 25V
BG2A				C2063	1-114-325-11	CERAMIC CHIP	0.1 μ F 10% 25V
BG2A				C2064	1-112-781-11	CERAMIC CHIP	1 μ F 10% 10V
BG2A				C2065	1-112-781-11	CERAMIC CHIP	1 μ F 10% 10V
BG2A				C2067	1-100-911-11	CERAMIC CHIP	4.7 μ F 10% 25V
BG2A				C2068	1-100-905-11	CERAMIC CHIP	0.001 μ F 10% 50V
BG2A				C2069	1-112-064-11	CERAMIC CHIP	2.2 μ F 10% 10V
BG2A				C2070	1-112-064-11	CERAMIC CHIP	2.2 μ F 10% 10V
BG2A				C2073	1-114-330-11	CERAMIC CHIP	2.2 μ F 10% 16V
BG2A				C1004	1-112-781-11	CERAMIC CHIP	1 μ F 10% 10V
BG2A				C1006	1-100-905-11	CERAMIC CHIP	0.001 μ F 10% 50V
BG2A				C1007	1-100-905-11	CERAMIC CHIP	0.001 μ F 10% 50V
BG2A				C1013	1-112-777-11	CERAMIC CHIP	0.01 μ F 10% 25V
BG2A				C1014	1-112-777-11	CERAMIC CHIP	0.01 μ F 10% 25V
BG2A				C1015	1-100-912-11	CERAMIC CHIP	1 μ F 10% 25V
BG2A				C1016	1-100-912-11	CERAMIC CHIP	1 μ F 10% 25V
BG2A				C1020	1-112-777-11	CERAMIC CHIP	0.01 μ F 10% 25V
BG2A				C1104	1-100-905-11	CERAMIC CHIP	0.001 μ F 10% 50V
BG2A				C1105	1-100-905-11	CERAMIC CHIP	0.001 μ F 10% 50V
BG2A				C1106	1-100-905-11	CERAMIC CHIP	0.001 μ F 10% 50V
BG2A				C1107	1-100-905-11	CERAMIC CHIP	0.001 μ F 10% 50V
BG2A				C1108	1-100-912-11	CERAMIC CHIP	1 μ F 10% 25V
BG2A				C1109	1-100-912-11	CERAMIC CHIP	1 μ F 10% 25V
BG2A				C1110	1-100-912-11	CERAMIC CHIP	1 μ F 10% 25V
BG2A				C1111	1-100-912-11	CERAMIC CHIP	1 μ F 10% 25V
BG2A				C1702	1-100-905-11	CERAMIC CHIP	0.001 μ F 10% 50V
BG2A				C1703	1-100-905-11	CERAMIC CHIP	0.001 μ F 10% 50V
BG2A				C1712	1-162-964-11	CERAMIC CHIP	0.001 μ F 10% 50V
BG2A				C1713	1-162-964-11	CERAMIC CHIP	0.001 μ F 10% 50V
BG2A				C1714	1-100-912-11	CERAMIC CHIP	1 μ F 10% 25V
BG2A				C1715	1-100-912-11	CERAMIC CHIP	1 μ F 10% 25V
BG2A				C1722	1-100-905-11	CERAMIC CHIP	0.001 μ F 10% 50V
BG2A				C1723	1-100-905-11	CERAMIC CHIP	0.001 μ F 10% 50V
BG2A				C1724	1-100-912-11	CERAMIC CHIP	1 μ F 10% 25V



REF. NO.	ART NO.	DESCRIPTION	VALUES			REF. NO.	ART NO.	DESCRIPTION	VALUES		
C2074	1-100-764-21	ELECT CHIP	4.7μF	20%	25V	C2136	1-115-340-11	CERAMIC CHIP	0.22μF	10%	25V
C2075	1-100-764-21	ELECT CHIP	4.7μF	20%	25V	C2137	1-115-340-11	CERAMIC CHIP	0.22μF	10%	25V
C2077	1-100-766-21	ELECT CHIP	47μF	20%	16V	C2138	1-115-340-11	CERAMIC CHIP	0.22μF	10%	25V
C2078	1-114-330-11	CERAMIC CHIP	2.2μF	10%	16V	C2139	1-115-340-11	CERAMIC CHIP	0.22μF	10%	25V
C2081	1-162-959-11	CERAMIC CHIP	330pF	5%	50V	C2140	1-112-064-11	CERAMIC CHIP	2.2μF	10%	10V
C2084	1-162-959-11	CERAMIC CHIP	330pF	5%	50V	C2141	1-114-330-11	CERAMIC CHIP	2.2μF	10%	16V
C2085	1-100-766-21	ELECT CHIP	47μF	20%	16V	C2142	1-164-874-11	CERAMIC CHIP	100pF	5%	50V
C2086	1-100-905-11	CERAMIC CHIP	0.001μF	10%	50V	C2143	1-112-064-11	CERAMIC CHIP	2.2μF	10%	10V
C2090	1-114-325-11	CERAMIC CHIP	0.1μF	10%	25V	C2144	1-164-874-11	CERAMIC CHIP	100pF	5%	50V
C2091	1-112-064-11	CERAMIC CHIP	2.2μF	10%	10V	C2145	1-100-912-11	CERAMIC CHIP	1μF	10%	25V
C2092	1-112-064-11	CERAMIC CHIP	2.2μF	10%	10V	C2146	1-100-912-11	CERAMIC CHIP	1μF	10%	25V
C2094	1-162-927-11	CERAMIC CHIP	100pF	5%	50V	C2149	1-100-766-21	ELECT CHIP	47μF	20%	16V
C2095	1-100-912-11	CERAMIC CHIP	1μF	10%	25V	C2150	1-100-766-21	ELECT CHIP	47μF	20%	16V
C2096	1-162-927-11	CERAMIC CHIP	100pF	5%	50V	C2156	1-114-325-11	CERAMIC CHIP	0.1μF	10%	25V
C2097	1-114-325-11	CERAMIC CHIP	0.1μF	10%	25V	C2157	1-114-325-11	CERAMIC CHIP	0.1μF	10%	25V
C2101	1-100-905-11	CERAMIC CHIP	0.001μF	10%	50V	C2158	1-114-325-11	CERAMIC CHIP	0.1μF	10%	25V
C2102	1-100-905-11	CERAMIC CHIP	0.001μF	10%	50V	C2159	1-100-905-11	CERAMIC CHIP	0.001μF	10%	50V
C2103	1-100-764-21	ELECT CHIP	4.7μF	20%	25V	C2160	1-100-905-11	CERAMIC CHIP	0.001μF	10%	50V
C2104	1-100-764-21	ELECT CHIP	4.7μF	20%	25V	C2161	1-100-905-11	CERAMIC CHIP	0.001μF	10%	50V
C2105	1-100-764-21	ELECT CHIP	4.7μF	20%	25V	C2164	1-112-064-11	CERAMIC CHIP	2.2μF	10%	10V
C2106	1-100-764-21	ELECT CHIP	4.7μF	20%	25V	C2165	1-112-064-11	CERAMIC CHIP	2.2μF	10%	10V
C2111	1-114-325-11	CERAMIC CHIP	0.1μF	10%	25V	C2168	1-162-964-11	CERAMIC CHIP	0.001μF	10%	50V
C2112	1-100-764-21	ELECT CHIP	4.7μF	20%	25V	C2169	1-162-964-11	CERAMIC CHIP	0.001μF	10%	50V
C2113	1-112-777-11	CERAMIC CHIP	0.01μF	10%	25V	C2170	1-162-979-11	CERAMIC CHIP	0.0027μF	10%	50V
C2114	1-100-764-21	ELECT CHIP	4.7μF	20%	25V	C2171	1-162-979-11	CERAMIC CHIP	0.0027μF	10%	50V
C2115	1-115-340-11	CERAMIC CHIP	0.22μF	10%	25V	C2172	1-162-959-11	CERAMIC CHIP	330pF	5%	50V
C2116	1-115-340-11	CERAMIC CHIP	0.22μF	10%	25V	C2173	1-162-959-11	CERAMIC CHIP	330pF	5%	50V
C2117	1-100-905-11	CERAMIC CHIP	0.001μF	10%	50V	C2177	1-100-912-11	CERAMIC CHIP	1μF	10%	25V
C2118	1-100-905-11	CERAMIC CHIP	0.001μF	10%	50V	C2178	1-100-764-21	ELECT CHIP	4.7μF	20%	25V
C2119	1-115-340-11	CERAMIC CHIP	0.22μF	10%	25V	C2179	1-100-764-21	ELECT CHIP	4.7μF	20%	25V
C2120	1-115-340-11	CERAMIC CHIP	0.22μF	10%	25V	C2180	1-100-916-11	CERAMIC CHIP	0.1μF	10%	16V
C2121	1-100-905-11	CERAMIC CHIP	0.001μF	10%	50V	C2187	1-112-064-11	CERAMIC CHIP	2.2μF	10%	10V
C2123	1-112-797-11	ELECT CHIP	470μF	20%	25V	C2188	1-112-064-11	CERAMIC CHIP	2.2μF	10%	10V
C2124	1-112-800-11	ELECT CHIP	100μF	20%	35V	C2190	1-100-911-11	CERAMIC CHIP	4.7μF	10%	25V
C2125	1-114-325-11	CERAMIC CHIP	0.1μF	10%	25V	C2191	1-100-911-11	CERAMIC CHIP	4.7μF	10%	25V
C2126	1-100-912-11	CERAMIC CHIP	1μF	10%	25V	C2192	1-114-325-11	CERAMIC CHIP	0.1μF	10%	25V
C2127	1-100-912-11	CERAMIC CHIP	1μF	10%	25V	C2279	1-100-905-11	CERAMIC CHIP	0.001μF	10%	50V
C2128	1-112-800-11	ELECT CHIP	100μF	20%	35V	C2280	1-100-905-11	CERAMIC CHIP	0.001μF	10%	50V
C2129	1-114-325-11	CERAMIC CHIP	0.1μF	10%	25V	C2282	1-100-905-11	CERAMIC CHIP	0.001μF	10%	50V
C2130	1-114-325-11	CERAMIC CHIP	0.1μF	10%	25V	C3005	1-112-777-11	CERAMIC CHIP	0.01μF	10%	25V
C2131	1-100-766-21	ELECT CHIP	47μF	20%	16V	C3006	1-112-777-11	CERAMIC CHIP	0.01μF	10%	25V
C2132	1-115-340-11	CERAMIC CHIP	0.22μF	10%	25V	C3007	1-112-777-11	CERAMIC CHIP	0.01μF	10%	25V
C2133	1-115-340-11	CERAMIC CHIP	0.22μF	10%	25V	C3010	1-100-916-11	CERAMIC CHIP	0.1μF	10%	16V
C2134	1-112-064-11	CERAMIC CHIP	2.2μF	10%	10V	C3011	1-117-681-11	ELECT CHIP	100μF	20%	16V
C2135	1-112-064-11	CERAMIC CHIP	2.2μF	10%	10V	C3012	1-100-905-11	CERAMIC CHIP	0.001μF	10%	50V



REF. NO.	ART NO.	DESCRIPTION	VALUES			REF. NO.	ART NO.	DESCRIPTION	VALUES		
C3014	1-112-777-11	CERAMIC CHIP	0.01μF	10%	25V	C4009	1-164-677-11	CERAMIC CHIP	0.033μF	10%	16V
C3015	1-100-905-11	CERAMIC CHIP	0.001μF	10%	50V	C4010	1-100-916-11	CERAMIC CHIP	0.1μF	10%	16V
C3016	1-112-777-11	CERAMIC CHIP	0.01μF	10%	25V	C4011	1-100-912-11	CERAMIC CHIP	1μF	10%	25V
C3017	1-100-905-11	CERAMIC CHIP	0.001μF	10%	50V	C4012	1-100-912-11	CERAMIC CHIP	1μF	10%	25V
C3019	1-162-911-11	CERAMIC CHIP	6pF	0.50pF	50V	C4013	1-112-066-11	CERAMIC CHIP	10μF	10%	10V
C3022	1-112-066-11	CERAMIC CHIP	10μF	10%	10V	C4014	1-164-245-11	CERAMIC CHIP	0.015μF	10%	25V
C3024	1-112-066-11	CERAMIC CHIP	10μF	10%	10V	C4015	1-100-905-11	CERAMIC CHIP	0.001μF	10%	50V
C3029	1-100-905-11	CERAMIC CHIP	0.001μF	10%	50V	C4016	1-112-066-11	CERAMIC CHIP	10μF	10%	10V
C3033	1-100-905-11	CERAMIC CHIP	0.001μF	10%	50V	C4018	1-164-868-11	CERAMIC CHIP	56pF	5%	50V
C3036	1-112-781-11	CERAMIC CHIP	1μF	10%	10V	C4021	1-100-916-11	CERAMIC CHIP	0.1μF	10%	16V
C3044	1-112-781-11	CERAMIC CHIP	1μF	10%	10V	C4022	1-165-667-21	ELECT CHIP	100μF	20%	6.3V
C3046	1-100-905-11	CERAMIC CHIP	0.001μF	10%	50V	C4024	1-100-916-11	CERAMIC CHIP	0.1μF	10%	16V
C3048	1-100-916-11	CERAMIC CHIP	0.1μF	10%	16V	C4025	1-165-667-21	ELECT CHIP	100μF	20%	6.3V
C3049	1-100-905-11	CERAMIC CHIP	0.001μF	10%	50V	C4029	1-100-912-11	CERAMIC CHIP	1μF	10%	25V
C3051	1-112-066-11	CERAMIC CHIP	10μF	10%	10V	C4033	1-112-777-11	CERAMIC CHIP	0.01μF	10%	25V
C3052	1-100-916-11	CERAMIC CHIP	0.1μF	10%	16V	C4034	1-114-331-11	CERAMIC CHIP	4.7μF	10%	10V
C3053	1-112-066-11	CERAMIC CHIP	10μF	10%	10V	C4041	1-112-774-11	CERAMIC CHIP	470pF	10%	50V
C3057	1-100-916-11	CERAMIC CHIP	0.1μF	10%	16V	C4042	1-112-774-11	CERAMIC CHIP	470pF	10%	50V
C3060	1-100-905-11	CERAMIC CHIP	0.001μF	10%	50V	C4043	1-112-774-11	CERAMIC CHIP	470pF	10%	50V
C3061	1-100-905-11	CERAMIC CHIP	0.001μF	10%	50V	C4044	1-112-774-11	CERAMIC CHIP	470pF	10%	50V
C3062	1-112-066-11	CERAMIC CHIP	10μF	10%	10V	C4045	1-112-774-11	CERAMIC CHIP	470pF	10%	50V
C3063	1-100-916-11	CERAMIC CHIP	0.1μF	10%	16V	C4046	1-164-874-11	CERAMIC CHIP	100pF	5%	50V
C3066	1-100-916-11	CERAMIC CHIP	0.1μF	10%	16V	C4053	1-162-970-11	CERAMIC CHIP	0.01μF	10%	25V
C3070	1-112-777-11	CERAMIC CHIP	0.01μF	10%	25V	C4054	1-165-667-21	ELECT CHIP	100μF	20%	6.3V
C3071	1-164-874-11	CERAMIC CHIP	100pF	5%	50V	C4055	1-165-667-21	ELECT CHIP	100μF	20%	6.3V
C3072	1-100-905-11	CERAMIC CHIP	0.001μF	10%	50V	C4056	1-114-525-21	ELECT CHIP	39μF	20%	16V
C3074	1-100-916-11	CERAMIC CHIP	0.1μF	10%	16V	C4057	1-100-905-11	CERAMIC CHIP	0.001μF	10%	50V
C3076	1-112-781-11	CERAMIC CHIP	1μF	10%	10V	C4058	1-115-340-11	CERAMIC CHIP	0.22μF	10%	25V
C3079	1-100-916-11	CERAMIC CHIP	0.1μF	10%	16V	C4059	1-100-905-11	CERAMIC CHIP	0.001μF	10%	50V
C3080	1-100-905-11	CERAMIC CHIP	0.001μF	10%	50V	C4062	1-100-916-11	CERAMIC CHIP	0.1μF	10%	16V
C3081	1-112-066-11	CERAMIC CHIP	10μF	10%	10V	C4063	1-100-916-11	CERAMIC CHIP	0.1μF	10%	16V
C3082	1-112-066-11	CERAMIC CHIP	10μF	10%	10V	C4065	1-126-193-11	ELECT CHIP	1μF	20%	50V
C3083	1-100-916-11	CERAMIC CHIP	0.1μF	10%	16V	C4072	1-126-193-11	ELECT CHIP	1μF	20%	50V
C3084	1-100-905-11	CERAMIC CHIP	0.001μF	10%	50V	C4076	1-107-826-11	CERAMIC CHIP	0.1μF	10%	16V
C3085	1-115-456-21	DOUBLE LAYER	0.22F	5.5V		C4077	1-117-681-11	ELECT CHIP	100μF	20%	16V
C3087	1-100-916-11	CERAMIC CHIP	0.1μF	10%	16V	C4078	1-112-780-11	CERAMIC CHIP	0.47μF	10%	16V
C3088	1-100-916-11	CERAMIC CHIP	0.1μF	10%	16V	C4079	1-126-204-11	ELECT CHIP	47μF	20%	16V
C3110	1-100-916-11	CERAMIC CHIP	0.1μF	10%	16V	C4081	1-126-204-11	ELECT CHIP	47μF	20%	16V
C3112	1-100-905-11	CERAMIC CHIP	0.001μF	10%	50V	C4082	1-100-911-11	CERAMIC CHIP	4.7μF	10%	25V
C4001	1-100-905-11	CERAMIC CHIP	0.001μF	10%	50V	C4083	1-100-911-11	CERAMIC CHIP	4.7μF	10%	25V
C4002	1-117-681-11	ELECT CHIP	100μF	20%	16V	C4085	1-107-826-11	CERAMIC CHIP	0.1μF	10%	16V
C4003	1-164-882-11	CERAMIC CHIP	220pF	5%	16V	C4087	1-162-925-11	CERAMIC CHIP	68pF	5%	50V
C4004	1-100-911-11	CERAMIC CHIP	4.7μF	10%	25V	C4089	1-110-648-11	ELECT CHIP	220μF	20%	25V
C4005	1-100-911-11	CERAMIC CHIP	4.7μF	10%	25V	C4090	1-100-055-11	CERAMIC CHIP	22μF	20%	16V
C4008	1-112-775-11	CERAMIC CHIP	0.0022μF	10%	50V	C4091	1-100-055-11	CERAMIC CHIP	22μF	20%	16V



REF. NO.	ART NO.	DESCRIPTION	VALUES			REF. NO.	ART NO.	DESCRIPTION	VALUES				
C4092	1-162-966-11	CERAMIC CHIP	0.0022	μF	10%	50V	C4739	1-100-916-11	CERAMIC CHIP	0.1	μF	10%	16V
C4100	1-114-810-11	CERAMIC CHIP	0.0015	μF	10%	50V	C4740	1-100-905-11	CERAMIC CHIP	0.001	μF	10%	50V
C4500	1-100-916-11	CERAMIC CHIP	0.1	μF	10%	16V	C4741	1-112-066-11	CERAMIC CHIP	10	μF	10%	10V
C4502	1-100-916-11	CERAMIC CHIP	0.1	μF	10%	16V	C4746	1-100-905-11	CERAMIC CHIP	0.001	μF	10%	50V
C4503	1-100-916-11	CERAMIC CHIP	0.1	μF	10%	16V	C4750	1-100-905-11	CERAMIC CHIP	0.001	μF	10%	50V
C4505	1-100-916-11	CERAMIC CHIP	0.1	μF	10%	16V	C4752	1-100-916-11	CERAMIC CHIP	0.1	μF	10%	16V
C4506	1-100-916-11	CERAMIC CHIP	0.1	μF	10%	16V	C4757	1-100-916-11	CERAMIC CHIP	0.1	μF	10%	16V
C4507	1-100-916-11	CERAMIC CHIP	0.1	μF	10%	16V	C4758	1-100-916-11	CERAMIC CHIP	0.1	μF	10%	16V
C4513	1-100-916-11	CERAMIC CHIP	0.1	μF	10%	16V	C4759	1-100-916-11	CERAMIC CHIP	0.1	μF	10%	16V
C4514	1-100-916-11	CERAMIC CHIP	0.1	μF	10%	16V	C4760	1-100-916-11	CERAMIC CHIP	0.1	μF	10%	16V
C4515	1-100-916-11	CERAMIC CHIP	0.1	μF	10%	16V	C4762	1-100-916-11	CERAMIC CHIP	0.1	μF	10%	16V
C4516	1-100-916-11	CERAMIC CHIP	0.1	μF	10%	16V	C4765	1-100-905-11	CERAMIC CHIP	0.001	μF	10%	50V
C4517	1-100-916-11	CERAMIC CHIP	0.1	μF	10%	16V	C4769	1-100-905-11	CERAMIC CHIP	0.001	μF	10%	50V
C4518	1-100-916-11	CERAMIC CHIP	0.1	μF	10%	16V	C4773	1-100-905-11	CERAMIC CHIP	0.001	μF	10%	50V
C4519	1-100-916-11	CERAMIC CHIP	0.1	μF	10%	16V	C4774	1-100-905-11	CERAMIC CHIP	0.001	μF	10%	50V
C4520	1-100-916-11	CERAMIC CHIP	0.1	μF	10%	16V	C4778	1-100-916-11	CERAMIC CHIP	0.1	μF	10%	16V
C4521	1-100-916-11	CERAMIC CHIP	0.1	μF	10%	16V	C4779	1-112-781-11	CERAMIC CHIP	1	μF	10%	10V
C4524	1-112-777-11	CERAMIC CHIP	0.01	μF	10%	25V	C4780	1-100-916-11	CERAMIC CHIP	0.1	μF	10%	16V
C4525	1-100-905-11	CERAMIC CHIP	0.001	μF	10%	50V	C4781	1-100-916-11	CERAMIC CHIP	0.1	μF	10%	16V
C4527	1-112-777-11	CERAMIC CHIP	0.01	μF	10%	25V	C4803	1-112-781-11	CERAMIC CHIP	1	μF	10%	10V
C4528	1-112-774-11	CERAMIC CHIP	470	pF	10%	50V	C4805	1-114-325-11	CERAMIC CHIP	0.1	μF	10%	25V
C4530	1-100-905-11	CERAMIC CHIP	0.001	μF	10%	50V	C4806	1-100-766-21	ELECT CHIP	47	μF	20%	16V
C4531	1-100-905-11	CERAMIC CHIP	0.001	μF	10%	50V	C4808	1-112-777-11	CERAMIC CHIP	0.01	μF	10%	25V
C4701	1-100-916-11	CERAMIC CHIP	0.1	μF	10%	16V	C4814	1-112-777-11	CERAMIC CHIP	0.01	μF	10%	25V
C4702	1-100-916-11	CERAMIC CHIP	0.1	μF	10%	16V	C4902	1-112-777-11	CERAMIC CHIP	0.01	μF	10%	25V
C4704	1-112-066-11	CERAMIC CHIP	10	μF	10%	10V	C4903	1-100-916-11	CERAMIC CHIP	0.1	μF	10%	16V
C4705	1-100-916-11	CERAMIC CHIP	0.1	μF	10%	16V	C4904	1-112-777-11	CERAMIC CHIP	0.01	μF	10%	25V
C4708	1-100-905-11	CERAMIC CHIP	0.001	μF	10%	50V	C4906	1-135-366-11	ELECT CHIP	100	μF	20%	16V
C4712	1-162-979-11	CERAMIC CHIP	0.0027	μF	10%	50V	C4907	1-112-776-11	CERAMIC CHIP	0.0047	μF	10%	50V
C4713	1-162-979-11	CERAMIC CHIP	0.0027	μF	10%	50V	C4908	1-112-777-11	CERAMIC CHIP	0.01	μF	10%	25V
C4716	1-100-916-11	CERAMIC CHIP	0.1	μF	10%	16V	C4909	1-164-874-11	CERAMIC CHIP	100	pF	5%	50V
C4717	1-100-916-11	CERAMIC CHIP	0.1	μF	10%	16V	C4910	1-164-874-11	CERAMIC CHIP	100	pF	5%	50V
C4718	1-100-916-11	CERAMIC CHIP	0.1	μF	10%	16V	C4911	1-164-874-11	CERAMIC CHIP	100	pF	5%	50V
C4720	1-100-905-11	CERAMIC CHIP	0.001	μF	10%	50V	C4912	1-100-916-11	CERAMIC CHIP	0.1	μF	10%	16V
C4721	1-100-905-11	CERAMIC CHIP	0.001	μF	10%	50V	C4913	1-100-916-11	CERAMIC CHIP	0.1	μF	10%	16V
C4722	1-100-905-11	CERAMIC CHIP	0.001	μF	10%	50V	C4914	1-112-777-11	CERAMIC CHIP	0.01	μF	10%	25V
C4723	1-100-905-11	CERAMIC CHIP	0.001	μF	10%	50V	C4915	1-164-874-11	CERAMIC CHIP	100	pF	5%	50V
C4724	1-100-905-11	CERAMIC CHIP	0.001	μF	10%	50V	C4916	1-164-874-11	CERAMIC CHIP	100	pF	5%	50V
C4725	1-112-068-11	CERAMIC CHIP	220	pF	10%	50V	C4917	1-164-874-11	CERAMIC CHIP	100	pF	5%	50V
C4726	1-100-916-11	CERAMIC CHIP	0.1	μF	10%	16V	C4918	1-164-874-11	CERAMIC CHIP	100	pF	5%	50V
C4730	1-100-905-11	CERAMIC CHIP	0.001	μF	10%	50V	C4919	1-164-874-11	CERAMIC CHIP	100	pF	5%	50V
C4731	1-100-916-11	CERAMIC CHIP	0.1	μF	10%	16V	C5002	1-100-916-11	CERAMIC CHIP	0.1	μF	10%	16V
C4732	1-100-916-11	CERAMIC CHIP	0.1	μF	10%	16V	C5005	1-164-874-11	CERAMIC CHIP	100	pF	5%	50V
C4734	1-100-905-11	CERAMIC CHIP	0.001	μF	10%	50V	C5006	1-164-874-11	CERAMIC CHIP	100	pF	5%	50V
C4736	1-100-905-11	CERAMIC CHIP	0.001	μF	10%	50V	C5008	1-112-781-11	CERAMIC CHIP	1	μF	10%	10V



REF. NO.	ART NO.	DESCRIPTION	VALUES			REF. NO.	ART NO.	DESCRIPTION	VALUES		
C5009	1-112-777-11	CERAMIC CHIP	0.01µF	10%	25V	C7053	1-100-743-91	CERAMIC CHIP	2.2µF	20%	16V
C5502	1-100-916-11	CERAMIC CHIP	0.1µF	10%	16V	C7055	1-112-775-11	CERAMIC CHIP	0.0022µF	10%	50V
C5505	1-100-916-11	CERAMIC CHIP	0.1µF	10%	16V	C7056	1-112-778-11	CERAMIC CHIP	0.022µF	10%	25V
C5509	1-112-777-11	CERAMIC CHIP	0.01µF	10%	25V	C7057	1-112-776-11	CERAMIC CHIP	0.0047µF	10%	50V
C5510	1-112-777-11	CERAMIC CHIP	0.01µF	10%	25V	C7058	1-100-916-11	CERAMIC CHIP	0.1µF	10%	16V
C5511	1-112-777-11	CERAMIC CHIP	0.01µF	10%	25V	C7059	1-115-416-11	CERAMIC CHIP	0.001µF	5%	25V
C5512	1-112-777-11	CERAMIC CHIP	0.01µF	10%	25V	C7060	1-100-743-91	CERAMIC CHIP	2.2µF	20%	16V
C5513	1-112-777-11	CERAMIC CHIP	0.01µF	10%	25V	C7061	1-117-681-11	ELECT CHIP	100µF	20%	16V
C5514	1-112-777-11	CERAMIC CHIP	0.01µF	10%	25V	C7062	1-100-766-21	ELECT CHIP	47µF	20%	16V
C5517	1-112-777-11	CERAMIC CHIP	0.01µF	10%	25V	C7063	1-100-916-11	CERAMIC CHIP	0.1µF	10%	16V
C5518	1-112-777-11	CERAMIC CHIP	0.01µF	10%	25V	C7064	1-100-916-11	CERAMIC CHIP	0.1µF	10%	16V
C5519	1-112-777-11	CERAMIC CHIP	0.01µF	10%	25V	C7066	1-112-778-11	CERAMIC CHIP	0.022µF	10%	25V
C5520	1-112-777-11	CERAMIC CHIP	0.01µF	10%	25V	C7072	1-100-905-11	CERAMIC CHIP	0.001µF	10%	50V
C5521	1-112-777-11	CERAMIC CHIP	0.01µF	10%	25V	C7073	1-100-905-11	CERAMIC CHIP	0.001µF	10%	50V
C5522	1-112-777-11	CERAMIC CHIP	0.01µF	10%	25V	C7087	1-100-905-11	CERAMIC CHIP	0.001µF	10%	50V
C5523	1-112-777-11	CERAMIC CHIP	0.01µF	10%	25V	C7088	1-112-777-11	CERAMIC CHIP	0.01µF	10%	25V
C5524	1-112-066-11	CERAMIC CHIP	10µF	10%	10V	C7089	1-117-681-11	ELECT CHIP	100µF	20%	16V
C5525	1-112-777-11	CERAMIC CHIP	0.01µF	10%	25V	C7090	1-100-916-11	CERAMIC CHIP	0.1µF	10%	16V
C5526	1-112-777-11	CERAMIC CHIP	0.01µF	10%	25V	C7092	1-112-064-11	CERAMIC CHIP	2.2µF	10%	10V
C5527	1-112-777-11	CERAMIC CHIP	0.01µF	10%	25V	C7093	1-112-064-11	CERAMIC CHIP	2.2µF	10%	10V
C5528	1-100-916-11	CERAMIC CHIP	0.1µF	10%	16V	C7094	1-100-905-11	CERAMIC CHIP	0.001µF	10%	50V
C5529	1-100-905-11	CERAMIC CHIP	0.001µF	10%	50V	C7095	1-100-905-11	CERAMIC CHIP	0.001µF	10%	50V
C5530	1-112-066-11	CERAMIC CHIP	10µF	10%	10V	C7096	1-100-905-11	CERAMIC CHIP	0.001µF	10%	50V
C5531	1-100-916-11	CERAMIC CHIP	0.1µF	10%	16V	C7097	1-100-905-11	CERAMIC CHIP	0.001µF	10%	50V
C5533	1-100-916-11	CERAMIC CHIP	0.1µF	10%	16V	C7098	1-100-905-11	CERAMIC CHIP	0.001µF	10%	50V
C5620	1-100-916-11	CERAMIC CHIP	0.1µF	10%	16V	C7099	1-114-330-11	CERAMIC CHIP	2.2µF	10%	16V
C7002	1-100-769-21	ELECT CHIP	470µF	20%	16V	C7100	1-112-064-11	CERAMIC CHIP	2.2µF	10%	10V
C7006	1-100-905-11	CERAMIC CHIP	0.001µF	10%	50V	C7101	1-164-852-11	CERAMIC CHIP	12pF	5%	50V
C7008	1-164-870-11	CERAMIC CHIP	68pF	5%	50V	C7102	1-164-852-11	CERAMIC CHIP	12pF	5%	50V
C7010	1-164-870-11	CERAMIC CHIP	68pF	5%	50V	C7103	1-216-864-11	SHORT CHIP			
C7012	1-218-990-81	SHORT CHIP				C7104	1-216-864-11	SHORT CHIP			
C7016	1-100-916-11	CERAMIC CHIP	0.1µF	10%	16V	CONNECTOR					
C7018	1-164-862-11	CERAMIC CHIP	33pF	5%	50V	* CN1400	1-819-928-11	HEADER ASSEMBLY		20P	
C7019	1-100-159-91	CERAMIC CHIP	22µF	10%	6.3V	* CN2000	1-819-461-11	HEADER ASSEMBL FOR PWB			
C7020	1-165-708-11	ELECT CHIP	47µF	20%	6.3V	CN3003	1-779-331-51	CONNECTOR, FFC/FPC		14P	
C7021	1-100-905-11	CERAMIC CHIP	0.001µF	10%	50V	CN3004	1-779-936-51	CONNECTOR, FFC/FPC		18P	
C7022	1-100-916-11	CERAMIC CHIP	0.1µF	10%	16V	* CN3008	1-820-188-11	HEADER ASSEMBLY (PRINT PWB)		11P	
C7023	1-112-777-11	CERAMIC CHIP	0.01µF	10%	25V	CN3500	1-820-192-11	HEADER ASSEMBLY (PRINT PWB)		15P	
C7024	1-137-765-21	ELECT CHIP	47µF	20%	16V	* CN4001	1-820-550-11	HEADER ASSEMBLY FOR PWB			
C7029	1-112-778-11	CERAMIC CHIP	0.022µF	10%	25V	CN4002	1-819-463-11	HEADER ASSEMBLY FOR PWB			
C7032	1-100-769-21	ELECT CHIP	470µF	20%	16V	* CN4003	1-820-182-11	HEADER ASSEMBLY (PRINT PWB)			
C7039	1-100-916-11	CERAMIC CHIP	0.1µF	10%	16V	* CN4500	1-818-656-21	HEADER ASSEMBLY		30P	
C7042	1-114-331-11	CERAMIC CHIP	4.7µF	10%	10V						
C7044	1-100-916-11	CERAMIC CHIP	0.1µF	10%	16V						
C7049	1-114-320-11	CERAMIC CHIP	0.22µF	10%	6.3V						

NOTE: The components identified by shading and \triangle mark are critical for safety. Replace only with part number specified.

BG2A

REF. NO.	ART NO.	DESCRIPTION	VALUES	REF. NO.	ART NO.	DESCRIPTION	VALUES	
DIODE				FERRITE BEAD				
	D1000	6-501-758-01	DIODE	MAZ8100G0LS0	\triangle F4005	1-576-933-21	FUSE	5A 24V
	D1001	6-501-758-01	DIODE	MAZ8100G0LS0	F4006	1-576-913-11	FUSE	1.6A 36V
	D1002	6-501-758-01	DIODE	MAZ8100G0LS0	\triangle F4050	1-576-603-21	FUSE	3.15A 24V
	D1008	6-501-758-01	DIODE	MAZ8100G0LS0	FERRITE BEAD			
\triangle	D2014	6-501-756-01	DIODE	MAZ8091GMLS0	FB1400	1-469-080-11	FERRITE	0 μ H
	D2018	6-501-732-01	DIODE	MAZ8056G0LS0	FB1401	1-469-080-11	FERRITE	0 μ H
	D2019	6-501-732-01	DIODE	MAZ8056G0LS0	FB2006	1-400-089-21	FERRITE	0 μ H
	D2020	6-501-732-01	DIODE	MAZ8056G0LS0	FB2007	1-400-089-21	FERRITE	0 μ H
	D2021	6-501-732-01	DIODE	MAZ8056G0LS0	FB2008	1-400-089-21	FERRITE	0 μ H
	D2022	6-501-734-01	DIODE	MAZ8056GMLS0	FB2009	1-400-089-21	FERRITE	0 μ H
	D3002	8-719-071-87	DIODE	MA785-(TX),SO	FB2012	1-400-807-21	FERRITE	0 μ H
	D3006	6-501-817-01	DIODE	MA2J1110GLS0	FB2015	1-400-212-22	FERRITE	0 μ H
	D3007	8-719-077-59	DIODE	1PS302	FB2016	1-400-110-21	FERRITE	0 μ H
	D3020	6-501-732-01	DIODE	MAZ8056G0LS0	FB2017	1-400-807-21	FERRITE	0 μ H
	D3021	6-501-732-01	DIODE	MAZ8056G0LS0	FB2018	1-400-807-21	FERRITE	0 μ H
	D3022	6-501-817-01	DIODE	MA2J1110GLS0	FB2019	1-400-807-21	FERRITE	0 μ H
	D4004	6-501-734-01	DIODE	MAZ8056GMLS0	FB4001	1-400-089-21	FERRITE	0 μ H
	D4005	6-501-734-01	DIODE	MAZ8056GMLS0	FB4003	1-400-089-21	FERRITE	0 μ H
	D4006	6-501-657-01	DIODE	MA24D5000BS0	FB4004	1-400-794-21	FERRITE	0 μ H
	D4007	6-501-657-01	DIODE	MA24D5000BS0	FB4005	1-500-922-11	FERRITE	0 μ H
	D4008	6-501-528-01	DIODE	1SMA5915BT3G	FB4008	1-400-591-22	FERRITE	0 μ H
	D4010	6-501-528-01	DIODE	1SMA5915BT3G	FB4009	1-400-591-22	FERRITE	0 μ H
	D4011	6-501-734-01	DIODE	MAZ8056GMLS0	FB4011	1-400-591-22	FERRITE	0 μ H
	D4012	6-501-774-01	DIODE	MAZ8150G0LS0	FB4050	1-400-794-21	FERRITE	0 μ H
	D4050	6-501-336-01	DIODE	RSX201L-30TE25	FB4051	1-400-794-21	FERRITE	0 μ H
	D4056	8-719-977-28	DIODE	DTZ10B	FB4055	1-400-089-21	FERRITE	0 μ H
	D5000	6-501-732-01	DIODE	MAZ8056G0LS0	FB4056	1-414-445-11	FERRITE	0 μ H
	D5001	6-501-732-01	DIODE	MAZ8056G0LS0	FB4058	1-400-089-21	FERRITE	0 μ H
	D5002	6-501-732-01	DIODE	MAZ8056G0LS0	FB4501	1-469-669-21	FERRITE	0 μ H
	D5003	8-719-050-38	DIODE	M1MA152WK-T1	FB4701	1-400-794-21	FERRITE	0 μ H
	D5508	6-501-817-01	DIODE	MA2J1110GLS0	FB4702	1-400-110-21	FERRITE	0 μ H
	D5516	6-501-817-01	DIODE	MA2J1110GLS0	FB4703	1-400-110-21	FERRITE	0 μ H
	D5525	6-501-817-01	DIODE	MA2J1110GLS0	FB4705	1-400-110-21	FERRITE	0 μ H
	D5528	6-501-817-01	DIODE	MA2J1110GLS0	FB4706	1-400-110-21	FERRITE	0 μ H
	D5620	6-502-150-01	DIODE	MA2SD320G8S0	FB4744	1-400-177-21	FERRITE	0 μ H
	D7003	8-719-058-24	DIODE	RB501V-40TE-17	FB5000	1-469-100-21	FERRITE	0 μ H
FUSE				FB5001	1-469-100-21	FERRITE	0 μ H	
\triangle	F2000	1-576-958-21	FUSE	4A 24V	FB5002	1-469-100-21	FERRITE	0 μ H
	F2001	1-576-913-11	FUSE	1.6A 36V	FB5004	1-469-100-21	FERRITE	0 μ H
	F2002	1-576-646-11	FUSE	0.5A 50V	FB5005	1-400-110-21	FERRITE	0 μ H
	F3001	1-576-646-11	FUSE	0.5A 50V	FB5006	1-469-100-21	FERRITE	0 μ H
\triangle	F4001	1-576-603-21	FUSE	3.15A 24V	FB5501	1-469-100-21	FERRITE	0 μ H
					FB7001	1-414-760-21	FERRITE	0 μ H
					FB7002	1-414-760-21	FERRITE	0 μ H

NOTE: The components identified by shading and \triangle mark are critical for safety. Replace only with part number specified.

BG2A

REF. NO.	ART NO.	DESCRIPTION	VALUES	REF. NO.	ART NO.	DESCRIPTION	VALUES
FB7007	1-469-080-11	FERRITE	0 μ H	IC3009	6-709-517-01	IC	S-35390A-J8T1G
FB7009	1-469-084-21	FERRITE	0MH	IC4001	6-710-922-01	IC	BD9853AFV-E2
FB7010	1-469-080-11	FERRITE	0 μ H	IC4002	6-708-862-01	IC	MM1662FTRE
FB7011	1-469-083-21	FERRITE	0 μ H	IC4051	6-712-658-01	IC	BD9322EFJ-E2
FB7012	1-469-083-21	FERRITE	0 μ H	IC4052	6-708-762-01	IC	PQ200WNA1ZPH
FB7013	1-469-083-21	FERRITE	0 μ H	\triangle IC4511	6-710-366-01	IC	74LVC1G04GW-125
FB7014	1-469-083-21	FERRITE	0 μ H	IC4701	8-759-651-59	IC	SN74CBTLV3245APWR
FB7015	1-469-083-21	FERRITE	0 μ H	IC4702	8-759-651-59	IC	SN74CBTLV3245APWR
FILTER				IC4703	6-706-491-01	IC	TC7SH86FU(T5RSOYJF)
FL3001	1-234-177-21	FERRITE	0 μ H	IC4800	6-710-903-01	IC	BH7641FV-E2
FL3501	1-234-177-21	FERRITE	0 μ H	IC4900	6-710-708-01	IC	EM6A9320BI-5MGM
FL4051	1-234-177-21	FERRITE	0 μ H	IC5000	6-704-600-01	IC	M24C02-WMN6T(B)
FL4052	1-234-177-21	FERRITE	0 μ H	IC5001	6-707-846-01	IC	TC74LCX14FT(EKJ)
FL4701	1-234-177-21	FERRITE	0 μ H	IC5500	6-710-819-01	IC	TMDS341ApFCR
FL4703	1-234-177-21	FERRITE	0 μ H	IC5501	6-704-001-01	IC	BR24L02F-WSE2
FL4705	1-234-177-21	FERRITE	0 μ H	IC5503	6-704-001-01	IC	BR24L02F-WSE2
FL4706	1-234-177-21	FERRITE	0 μ H	IC5504	6-708-758-01	IC	PCA9517DP.118
FL4707	1-234-177-21	FERRITE	0 μ H	IC5510	8-759-596-34	IC	SN74LV4053APWR
FL4900	1-234-177-21	FERRITE	0 μ H	JACK			
FL4901	1-234-177-21	FERRITE	0 μ H	J1000	1-780-488-11	S TERMINAL BLOCK	
FL5501	1-234-177-21	FERRITE	0 μ H	J1101	1-821-064-11	PHONO JACK	10P
FL5502	1-234-177-21	FERRITE	0 μ H	J1701	1-820-765-11	PHONO JACK	2P
FL5503	1-456-844-11	INDUCTOR	0 μ H	J1710	1-820-638-11	JACK (SMALL TYPE)	
FL5504	1-456-844-11	INDUCTOR	0 μ H	J1720	1-820-765-11	PHONO JACK	2P
FL5505	1-456-844-11	INDUCTOR	0 μ H	J5000	1-821-013-11	D SUB CONNECTOR	
FL5506	1-456-844-11	INDUCTOR	0 μ H	J5502	1-821-931-11	HDMI CONNECTOR	
FL7000	1-234-177-21	FERRITE	0 μ H	J5503	1-821-931-11	HDMI CONNECTOR	
FL7001	1-234-177-21	FERRITE	0 μ H	COIL			
IC				L2009	1-469-555-21	INDUCTOR	10 μ H
IC2002	6-711-253-01	IC	CXD9890AQ	L2010	1-469-555-21	INDUCTOR	10 μ H
IC2004	8-759-278-58	IC	NJM4558V-TE2	L2011	1-469-555-21	INDUCTOR	10 μ H
IC2005	6-708-762-01	IC	PQ200WNA1ZPH	L2015	1-469-555-21	INDUCTOR	10 μ H
IC2006	8-759-278-58	IC	NJM4558V-TE2	L2016	1-481-083-11	INDUCTOR	22 μ H
IC2008	6-709-927-01	IC	RT8H225C-TP-2	L2017	1-412-058-11	INDUCTOR	10 μ H
IC2009	6-710-904-01	IC	TPA3100D2PHPR	L2022	1-457-429-11	INDUCTOR	22 μ H
IC2010	8-759-359-49	IC	NJM3414AV(TE2)	L2023	1-457-429-11	INDUCTOR	22 μ H
IC2011	6-709-927-01	IC	RT8H225C-TP-2	L2024	1-457-429-11	INDUCTOR	22 μ H
IC2014	8-759-592-48	IC	TC7SZ32FU(TE85R)	L2025	1-457-429-11	INDUCTOR	22 μ H
IC3001	6-708-219-01	IC	MB91305PMC-G-BNDE1	L3002	1-400-794-21	FERRITE	0 μ H
IC3004	6-703-175-01	IC	PST3629UL	L4001	1-457-195-11	INDUCTOR	4.7 μ H
IC3005	6-710-121-01	IC	M24256-BWMN6TP(A)	L4002	1-457-195-11	INDUCTOR	4.7 μ H
IC3006	6-709-512-01	IC	S-1132B18-M5T1G	L4051	1-416-740-11	INDUCTOR	10 μ H
IC3007	6-709-731-01	IC	ADT75ARZ-REEL	L4053	1-424-922-21	INDUCTOR	10 μ H
IC3008	6-707-867-01	IC	TC74VHC132FT(EKJ)				

BG2A

REF. NO.	ART NO.	DESCRIPTION	VALUES			REF. NO.	ART NO.	DESCRIPTION	VALUES		
R1009	1-218-989-11	RES-CHIP	1M	5%	1/16W	R1406	1-218-990-81	SHORT CHIP			
R1013	1-218-285-11	METAL CHIP	75	5%	1/10W	R1407	1-218-990-81	SHORT CHIP			
R1014	1-218-957-11	RES-CHIP	2.2K	5%	1/16W	R1408	1-218-990-81	SHORT CHIP			
R1015	1-218-957-11	RES-CHIP	2.2K	5%	1/16W	R1409	1-218-990-81	SHORT CHIP			
R1018	1-218-831-11	METAL CHIP	220	0.50%	1/10W	R1410	1-218-990-81	SHORT CHIP			
R1020	1-218-831-11	METAL CHIP	220	0.50%	1/10W	R1700	1-218-981-91	RES-CHIP	220K	5%	1/16W
R1026	1-218-941-81	RES-CHIP	100	5%	1/16W	R1701	1-218-981-91	RES-CHIP	220K	5%	1/16W
R1027	1-218-941-81	RES-CHIP	100	5%	1/16W	R1702	1-218-949-11	RES-CHIP	470	5%	1/16W
R1028	1-218-953-11	RES-CHIP	1K	5%	1/16W	R1703	1-218-949-11	RES-CHIP	470	5%	1/16W
R1029	1-218-953-11	RES-CHIP	1K	5%	1/16W	R1710	1-218-989-11	RES-CHIP	1M	5%	1/16W
R1030	1-218-941-81	RES-CHIP	100	5%	1/16W	R1711	1-218-989-11	RES-CHIP	1M	5%	1/16W
R1100	1-218-831-11	METAL CHIP	220	0.50%	1/10W	R1712	1-218-957-11	RES-CHIP	2.2K	5%	1/16W
R1103	1-218-831-11	METAL CHIP	220	0.50%	1/10W	R1713	1-218-957-11	RES-CHIP	2.2K	5%	1/16W
R1104	1-218-831-11	METAL CHIP	220	0.50%	1/10W	R1720	1-218-989-11	RES-CHIP	1M	5%	1/16W
R1105	1-218-831-11	METAL CHIP	220	0.50%	1/10W	R1721	1-218-989-11	RES-CHIP	1M	5%	1/16W
R1106	1-218-989-11	RES-CHIP	1M	5%	1/16W	R1722	1-218-957-11	RES-CHIP	2.2K	5%	1/16W
R1107	1-218-989-11	RES-CHIP	1M	5%	1/16W	R1723	1-218-957-11	RES-CHIP	2.2K	5%	1/16W
R1108	1-218-989-11	RES-CHIP	1M	5%	1/16W	R1735	1-218-941-81	RES-CHIP	100	5%	1/16W
R1109	1-218-831-11	METAL CHIP	220	0.50%	1/10W	R1736	1-218-831-11	METAL CHIP	220	0.50%	1/10W
R1110	1-218-989-11	RES-CHIP	1M	5%	1/16W	R1737	1-218-831-11	METAL CHIP	220	0.50%	1/10W
R1111	1-218-957-11	RES-CHIP	2.2K	5%	1/16W	R1738	1-218-831-11	METAL CHIP	220	0.50%	1/10W
R1112	1-218-957-11	RES-CHIP	2.2K	5%	1/16W	R2020	1-218-965-11	RES-CHIP	10K	5%	1/16W
R1113	1-218-957-11	RES-CHIP	2.2K	5%	1/16W	R2023	1-218-990-81	SHORT CHIP			
R1114	1-218-957-11	RES-CHIP	2.2K	5%	1/16W	R2033	1-218-941-81	RES-CHIP	100	5%	1/16W
R1115	1-218-831-11	METAL CHIP	220	0.50%	1/10W	R2035	1-218-937-11	RES-CHIP	47	5%	1/16W
R1116	1-218-831-11	METAL CHIP	220	0.50%	1/10W	R2044	1-218-937-11	RES-CHIP	47	5%	1/16W
R1117	1-218-831-11	METAL CHIP	220	0.50%	1/10W	R2049	1-218-990-81	SHORT CHIP			
R1118	1-218-831-11	METAL CHIP	220	0.50%	1/10W	R2050	1-218-989-11	RES-CHIP	1M	5%	1/16W
R1119	1-218-831-11	METAL CHIP	220	0.50%	1/10W	R2056	1-218-963-11	RES-CHIP	6.8K	5%	1/16W
R1120	1-218-831-11	METAL CHIP	220	0.50%	1/10W	R2057	1-218-963-11	RES-CHIP	6.8K	5%	1/16W
R1123	1-218-831-11	METAL CHIP	220	0.50%	1/10W	R2063	1-218-990-81	SHORT CHIP			
R1126	1-218-831-11	METAL CHIP	220	0.50%	1/10W	R2064	1-218-965-11	RES-CHIP	10K	5%	1/16W
R1127	1-218-831-11	METAL CHIP	220	0.50%	1/10W	R2070	1-218-990-81	SHORT CHIP			
R1128	1-218-831-11	METAL CHIP	220	0.50%	1/10W	R2073	1-218-941-81	RES-CHIP	100	5%	1/16W
R1129	1-218-831-11	METAL CHIP	220	0.50%	1/10W	R2074	1-218-953-11	RES-CHIP	1K	5%	1/16W
R1130	1-218-831-11	METAL CHIP	220	0.50%	1/10W	R2075	1-218-937-11	RES-CHIP	47	5%	1/16W
R1131	1-218-831-11	METAL CHIP	220	0.50%	1/10W	R2076	1-218-937-11	RES-CHIP	47	5%	1/16W
R1134	1-218-933-11	RES-CHIP	22	5%	1/16W	R2077	1-218-937-11	RES-CHIP	47	5%	1/16W
R1135	1-218-933-11	RES-CHIP	22	5%	1/16W	R2078	1-218-937-11	RES-CHIP	47	5%	1/16W
R1136	1-218-933-11	RES-CHIP	22	5%	1/16W	R2085	1-218-971-11	RES-CHIP	33K	5%	1/16W
R1137	1-218-933-11	RES-CHIP	22	5%	1/16W	R2087	1-218-971-11	RES-CHIP	33K	5%	1/16W
R1138	1-218-933-11	RES-CHIP	22	5%	1/16W	R2091	1-218-971-11	RES-CHIP	33K	5%	1/16W
R1139	1-218-933-11	RES-CHIP	22	5%	1/16W	R2092	1-218-971-11	RES-CHIP	33K	5%	1/16W
R1402	1-218-990-81	SHORT CHIP				R2095	1-220-199-81	RES-CHIP	24K	5%	1/16W
R1403	1-218-990-81	SHORT CHIP				R2098	1-218-971-11	RES-CHIP	33K	5%	1/16W

BG2A

REF. NO.	ART NO.	DESCRIPTION	VALUES			REF. NO.	ART NO.	DESCRIPTION	VALUES		
R2099	1-218-971-11	RES-CHIP	33K	5%	1/16W	R2171	1-218-961-11	RES-CHIP	4.7K	5%	1/16W
R2100	1-218-971-11	RES-CHIP	33K	5%	1/16W	R2176	1-218-973-11	RES-CHIP	47K	5%	1/16W
R2101	1-218-971-11	RES-CHIP	33K	5%	1/16W	R2177	1-218-977-11	RES-CHIP	100K	5%	1/16W
R2102	1-218-971-11	RES-CHIP	33K	5%	1/16W	R2178	1-218-977-11	RES-CHIP	100K	5%	1/16W
R2103	1-218-971-11	RES-CHIP	33K	5%	1/16W	R2179	1-208-935-11	METAL CHIP	100K	0.50%	1/16W
R2104	1-218-971-11	RES-CHIP	33K	5%	1/16W	R2180	1-218-961-11	RES-CHIP	4.7K	5%	1/16W
R2105	1-218-971-11	RES-CHIP	33K	5%	1/16W	R2181	1-208-935-11	METAL CHIP	100K	0.50%	1/16W
R2108	1-218-971-11	RES-CHIP	33K	5%	1/16W	R2184	1-218-965-11	RES-CHIP	10K	5%	1/16W
R2109	1-218-971-11	RES-CHIP	33K	5%	1/16W	R2185	1-218-965-11	RES-CHIP	10K	5%	1/16W
R2110	1-208-691-11	METAL CHIP	2.2K	0.50%	1/16W	R2186	1-218-839-11	METAL CHIP	470	0.50%	1/10W
R2111	1-208-691-11	METAL CHIP	2.2K	0.50%	1/16W	R2187	1-218-839-11	METAL CHIP	470	0.50%	1/10W
R2112	1-208-715-11	METAL CHIP	22K	0.50%	1/16W	R2188	1-218-839-11	METAL CHIP	470	0.50%	1/10W
R2113	1-208-715-11	METAL CHIP	22K	0.50%	1/16W	R2189	1-218-839-11	METAL CHIP	470	0.50%	1/10W
R2117	1-218-961-11	RES-CHIP	4.7K	5%	1/16W	R2198	1-218-963-11	RES-CHIP	6.8K	5%	1/16W
R2118	1-218-961-11	RES-CHIP	4.7K	5%	1/16W	R2199	1-218-977-11	RES-CHIP	100K	5%	1/16W
R2120	1-208-927-11	METAL CHIP	47K	0.50%	1/16W	R2200	1-218-977-11	RES-CHIP	100K	5%	1/16W
R2121	1-208-715-11	METAL CHIP	22K	0.50%	1/16W	R2202	1-218-965-11	RES-CHIP	10K	5%	1/16W
R2122	1-208-715-11	METAL CHIP	22K	0.50%	1/16W	R2204	1-218-977-11	RES-CHIP	100K	5%	1/16W
R2126	1-208-927-11	METAL CHIP	47K	0.50%	1/16W	R2205	1-208-923-11	METAL CHIP	33K	0.50%	1/16W
R2129	1-208-715-11	METAL CHIP	22K	0.50%	1/16W	R2207	1-218-937-11	RES-CHIP	47	5%	1/16W
R2130	1-208-697-11	METAL CHIP	3.9K	0.50%	1/16W	R2210	1-208-703-11	METAL CHIP	6.8K	0.50%	1/16W
R2131	1-208-697-11	METAL CHIP	3.9K	0.50%	1/16W	R2211	1-208-703-11	METAL CHIP	6.8K	0.50%	1/16W
R2133	1-208-715-11	METAL CHIP	22K	0.50%	1/16W	R2212	1-208-711-11	METAL CHIP	15K	0.50%	1/16W
R2138	1-218-985-11	RES-CHIP	470K	5%	1/16W	R2213	1-208-711-11	METAL CHIP	15K	0.50%	1/16W
R2139	1-218-985-11	RES-CHIP	470K	5%	1/16W	R2227	1-208-691-11	METAL CHIP	2.2K	0.50%	1/16W
R2141	1-218-949-11	RES-CHIP	470	5%	1/16W	R2228	1-208-703-11	METAL CHIP	6.8K	0.50%	1/16W
R2142	1-218-949-11	RES-CHIP	470	5%	1/16W	R2229	1-208-683-11	METAL CHIP	1K	0.50%	1/16W
R2143	1-208-711-11	METAL CHIP	15K	0.50%	1/16W	R2230	1-218-990-81	SHORT CHIP			
R2145	1-208-711-11	METAL CHIP	15K	0.50%	1/16W	R2232	1-218-990-81	SHORT CHIP			
R2147	1-218-953-11	RES-CHIP	1K	5%	1/16W	R2234	1-208-935-11	METAL CHIP	100K	0.50%	1/16W
R2148	1-218-973-11	RES-CHIP	47K	5%	1/16W	R2235	1-208-923-11	METAL CHIP	33K	0.50%	1/16W
R2149	1-218-969-11	RES-CHIP	22K	5%	1/16W	R2236	1-208-695-11	METAL CHIP	3.3K	0.50%	1/16W
R2150	1-218-969-11	RES-CHIP	22K	5%	1/16W	R2237	1-208-695-11	METAL CHIP	3.3K	0.50%	1/16W
R2151	1-218-973-11	RES-CHIP	47K	5%	1/16W	R2238	1-208-683-11	METAL CHIP	1K	0.50%	1/16W
R2153	1-218-977-11	RES-CHIP	100K	5%	1/16W	R2239	1-208-683-11	METAL CHIP	1K	0.50%	1/16W
R2154	1-218-990-81	SHORT CHIP				R2245	1-218-941-81	RES-CHIP	100	5%	1/16W
R2155	1-218-990-81	SHORT CHIP				R2246	1-218-959-11	RES-CHIP	3.3K	5%	1/16W
R2156	1-218-990-81	SHORT CHIP				R2247	1-218-959-11	RES-CHIP	3.3K	5%	1/16W
R2162	1-218-977-11	RES-CHIP	100K	5%	1/16W	R2248	1-218-959-11	RES-CHIP	3.3K	5%	1/16W
R2163	1-218-973-11	RES-CHIP	47K	5%	1/16W	R2249	1-218-953-11	RES-CHIP	1K	5%	1/16W
R2166	1-218-965-11	RES-CHIP	10K	5%	1/16W	R2259	1-208-695-11	METAL CHIP	3.3K	0.50%	1/16W
R2167	1-218-965-11	RES-CHIP	10K	5%	1/16W	R2262	1-208-695-11	METAL CHIP	3.3K	0.50%	1/16W
R2168	1-218-961-11	RES-CHIP	4.7K	5%	1/16W	R2268	1-218-941-81	RES-CHIP	100	5%	1/16W
R2169	1-218-973-11	RES-CHIP	47K	5%	1/16W	R2269	1-218-965-11	RES-CHIP	10K	5%	1/16W
R2170	1-218-961-11	RES-CHIP	4.7K	5%	1/16W	R2270	1-218-941-81	RES-CHIP	100	5%	1/16W

BG2A

REF. NO.	ART NO.	DESCRIPTION	VALUES			REF. NO.	ART NO.	DESCRIPTION	VALUES		
R2271	1-218-965-11	RES-CHIP	10K	5%	1/16W	R3146	1-218-990-81	SHORT CHIP			
R2272	1-208-695-11	METAL CHIP	3.3K	0.50%	1/16W	R3158	1-218-941-81	RES-CHIP	100	5%	1/16W
R2273	1-208-695-11	METAL CHIP	3.3K	0.50%	1/16W	R3162	1-218-973-11	RES-CHIP	47K	5%	1/16W
R2274	1-218-990-81	SHORT CHIP				R3165	1-218-965-11	RES-CHIP	10K	5%	1/16W
R2275	1-218-990-81	SHORT CHIP				R3167	1-218-965-11	RES-CHIP	10K	5%	1/16W
R2277	1-218-977-11	RES-CHIP	100K	5%	1/16W	R3168	1-218-965-11	RES-CHIP	10K	5%	1/16W
R2279	1-218-977-11	RES-CHIP	100K	5%	1/16W	R3169	1-216-864-11	SHORT CHIP			
R2280	1-218-977-11	RES-CHIP	100K	5%	1/16W	R3170	1-400-794-21	FERRITE	0μH		
R2281	1-218-977-11	RES-CHIP	100K	5%	1/16W	R3180	1-218-965-11	RES-CHIP	10K	5%	1/16W
R2380	1-218-990-81	SHORT CHIP				R3181	1-218-965-11	RES-CHIP	10K	5%	1/16W
R2384	1-218-990-81	SHORT CHIP				R3186	1-218-990-81	SHORT CHIP			
R2385	1-218-990-81	SHORT CHIP				R3188	1-218-990-81	SHORT CHIP			
R3001	1-216-864-11	SHORT CHIP				R3190	1-208-886-81	METAL CHIP	910	0.50%	1/16W
R3005	1-208-683-11	METAL CHIP	1K	0.50%	1/16W	R3193	1-218-965-11	RES-CHIP	10K	5%	1/16W
R3010	1-218-990-81	SHORT CHIP				R3195	1-218-990-81	SHORT CHIP			
R3013	1-218-941-81	RES-CHIP	100	5%	1/16W	R3196	1-218-965-11	RES-CHIP	10K	5%	1/16W
R3014	1-218-941-81	RES-CHIP	100	5%	1/16W	R3198	1-218-990-81	SHORT CHIP			
R3015	1-218-941-81	RES-CHIP	100	5%	1/16W	R3207	1-218-949-11	RES-CHIP	470	5%	1/16W
R3017	1-218-941-81	RES-CHIP	100	5%	1/16W	R3208	1-218-990-81	SHORT CHIP			
R3020	1-216-813-11	METAL CHIP	220	5%	1/10W	R3209	1-218-990-81	SHORT CHIP			
R3022	1-218-990-81	SHORT CHIP				R3210	1-218-949-11	RES-CHIP	470	5%	1/16W
R3024	1-218-941-81	RES-CHIP	100	5%	1/16W	R3212	1-218-949-11	RES-CHIP	470	5%	1/16W
R3031	1-208-931-11	METAL CHIP	68K	0.50%	1/16W	R3218	1-218-961-11	RES-CHIP	4.7K	5%	1/16W
R3034	1-208-703-11	METAL CHIP	6.8K	0.50%	1/16W	R3223	1-218-945-11	RES-CHIP	220	5%	1/16W
R3036	1-218-965-11	RES-CHIP	10K	5%	1/16W	R3224	1-218-990-81	SHORT CHIP			
R3037	1-208-711-11	METAL CHIP	15K	0.50%	1/16W	R3226	1-218-945-11	RES-CHIP	220	5%	1/16W
R3038	1-218-965-11	RES-CHIP	10K	5%	1/16W	R3243	1-218-941-81	RES-CHIP	100	5%	1/16W
R3045	1-218-965-11	RES-CHIP	10K	5%	1/16W	R3246	1-218-965-11	RES-CHIP	10K	5%	1/16W
R3049	1-218-965-11	RES-CHIP	10K	5%	1/16W	R3247	1-218-990-81	SHORT CHIP			
R3052	1-218-941-81	RES-CHIP	100	5%	1/16W	R3255	1-400-591-22	FERRITE	0μH		
R3053	1-218-990-81	SHORT CHIP				R3256	1-400-591-22	FERRITE	0μH		
R3058	1-218-990-81	SHORT CHIP				R3257	1-216-864-11	SHORT CHIP			
R3061	1-218-965-11	RES-CHIP	10K	5%	1/16W	R3259	1-400-591-22	FERRITE	0μH		
R3069	1-218-941-81	RES-CHIP	100	5%	1/16W	R3260	1-400-591-22	FERRITE	0μH		
R3070	1-218-941-81	RES-CHIP	100	5%	1/16W	R3262	1-400-591-22	FERRITE	0μH		
R3094	1-218-990-81	SHORT CHIP				R3263	1-400-591-22	FERRITE	0μH		
R3101	1-218-959-11	RES-CHIP	3.3K	5%	1/16W	R3264	1-400-591-22	FERRITE	0μH		
R3102	1-218-941-81	RES-CHIP	100	5%	1/16W	R3265	1-400-591-22	FERRITE	0μH		
R3103	1-218-941-81	RES-CHIP	100	5%	1/16W	R3266	1-216-864-11	SHORT CHIP			
R3111	1-218-933-11	RES-CHIP	22	5%	1/16W	R3267	1-216-864-11	SHORT CHIP			
R3113	1-218-933-11	RES-CHIP	22	5%	1/16W	R3270	1-218-941-81	RES-CHIP	100	5%	1/16W
R3124	1-218-990-81	SHORT CHIP				R3271	1-218-977-11	RES-CHIP	100K	5%	1/16W
R3125	1-218-941-81	RES-CHIP	100	5%	1/16W	R3274	1-218-977-11	RES-CHIP	100K	5%	1/16W
R3126	1-218-941-81	RES-CHIP	100	5%	1/16W	R3290	1-218-990-81	SHORT CHIP			
R3144	1-208-691-11	METAL CHIP	2.2K	0.50%	1/16W	R3295	1-208-697-11	METAL CHIP	3.9K	0.50%	1/16W

BG2A

REF. NO.	ART NO.	DESCRIPTION	VALUES			REF. NO.	ART NO.	DESCRIPTION	VALUES		
R3503	1-218-990-81	SHORT CHIP				R4087	1-218-965-11	RES-CHIP	10K	5%	1/16W
R3514	1-218-941-81	RES-CHIP	100	5%	1/16W	R4093	1-218-965-11	RES-CHIP	10K	5%	1/16W
R3515	1-218-990-81	SHORT CHIP				R4094	1-218-965-11	RES-CHIP	10K	5%	1/16W
R3516	1-218-941-81	RES-CHIP	100	5%	1/16W	R4095	1-218-990-81	SHORT CHIP			
R4005	1-208-699-11	METAL CHIP	4.7K	0.50%	1/16W	R4096	1-218-969-11	RES-CHIP	22K	5%	1/16W
R4006	1-218-977-11	RES-CHIP	100K	5%	1/16W	R4097	1-218-953-11	RES-CHIP	1K	5%	1/16W
R4007	1-218-979-11	RES-CHIP	150K	5%	1/16W	R4150	1-208-699-11	METAL CHIP	4.7K	0.50%	1/16W
R4008	1-218-965-11	RES-CHIP	10K	5%	1/16W	R4151	1-208-883-81	METAL CHIP	680	0.50%	1/16W
R4010	1-208-927-11	METAL CHIP	47K	0.50%	1/16W	R4152	1-208-691-11	METAL CHIP	2.2K	0.50%	1/16W
R4011	1-208-927-11	METAL CHIP	47K	0.50%	1/16W	R4501	1-218-933-11	RES-CHIP	22	5%	1/16W
R4012	1-208-931-11	METAL CHIP	68K	0.50%	1/16W	R4502	1-218-933-11	RES-CHIP	22	5%	1/16W
R4013	1-218-977-11	RES-CHIP	100K	5%	1/16W	R4505	1-218-933-11	RES-CHIP	22	5%	1/16W
R4014	1-208-709-11	METAL CHIP	12K	0.50%	1/16W	R4506	1-218-933-11	RES-CHIP	22	5%	1/16W
R4016	1-218-990-81	SHORT CHIP				R4507	1-218-933-11	RES-CHIP	22	5%	1/16W
R4017	1-218-990-81	SHORT CHIP				R4508	1-218-933-11	RES-CHIP	22	5%	1/16W
R4018	1-218-990-81	SHORT CHIP				R4509	1-218-989-11	RES-CHIP	1M	5%	1/16W
R4019	1-218-990-81	SHORT CHIP				R4510	1-218-990-81	SHORT CHIP			
R4020	1-218-990-81	SHORT CHIP				R4512	1-218-990-81	SHORT CHIP			
R4021	1-208-711-11	METAL CHIP	15K	0.50%	1/16W	R4516	1-218-941-81	RES-CHIP	100	5%	1/16W
R4023	1-218-965-11	RES-CHIP	10K	5%	1/16W	R4525	1-218-937-11	RES-CHIP	47	5%	1/16W
R4026	1-218-990-81	SHORT CHIP				R4530	1-218-990-81	SHORT CHIP			
R4028	1-208-703-11	METAL CHIP	6.8K	0.50%	1/16W	R4531	1-218-990-81	SHORT CHIP			
R4031	1-208-703-11	METAL CHIP	6.8K	0.50%	1/16W	R4534	1-218-990-81	SHORT CHIP			
R4032	1-218-978-11	RES-CHIP	120K	5%	1/16W	R4535	1-218-990-81	SHORT CHIP			
R4033	1-208-721-11	METAL CHIP	39K	0.50%	1/16W	R4537	1-218-990-81	SHORT CHIP			
R4034	1-216-295-91	SHORT CHIP				R4542	1-218-965-11	RES-CHIP	10K	5%	1/16W
R4035	1-216-864-11	SHORT CHIP				R4545	1-218-961-11	RES-CHIP	4.7K	5%	1/16W
R4036	1-216-864-11	SHORT CHIP				R4710	1-218-961-11	RES-CHIP	4.7K	5%	1/16W
R4037	1-216-864-11	SHORT CHIP				R4712	1-218-961-11	RES-CHIP	4.7K	5%	1/16W
R4040	1-208-711-11	METAL CHIP	15K	0.50%	1/16W	R4714	1-218-933-11	RES-CHIP	22	5%	1/16W
R4042	1-218-977-11	RES-CHIP	100K	5%	1/16W	R4715	1-218-933-11	RES-CHIP	22	5%	1/16W
R4043	1-218-971-11	RES-CHIP	33K	5%	1/16W	R4721	1-216-864-11	SHORT CHIP			
R4045	1-216-864-11	SHORT CHIP				R4722	1-216-864-11	SHORT CHIP			
R4047	1-218-957-11	RES-CHIP	2.2K	5%	1/16W	R4723	1-218-965-11	RES-CHIP	10K	5%	1/16W
R4048	1-216-864-11	SHORT CHIP				R4801	1-218-941-81	RES-CHIP	100	5%	1/16W
R4049	1-218-983-11	RES-CHIP	330K	5%	1/16W	R4802	1-218-949-11	RES-CHIP	470	5%	1/16W
R4050	1-218-971-11	RES-CHIP	33K	5%	1/16W	R4804	1-218-941-81	RES-CHIP	100	5%	1/16W
R4052	1-216-864-11	SHORT CHIP				R4805	1-218-949-11	RES-CHIP	470	5%	1/16W
R4058	1-218-965-11	RES-CHIP	10K	5%	1/16W	R4808	1-218-941-81	RES-CHIP	100	5%	1/16W
R4060	1-218-965-11	RES-CHIP	10K	5%	1/16W	R4900	1-400-794-21	FERRITE	0μH		
R4066	1-218-965-11	RES-CHIP	10K	5%	1/16W	R4903	1-208-683-11	METAL CHIP	1K	0.50%	1/16W
R4083	1-218-899-11	METAL CHIP	150K	0.50%	1/16W	R4904	1-208-683-11	METAL CHIP	1K	0.50%	1/16W
R4084	1-216-864-11	SHORT CHIP				R4905	1-218-990-81	SHORT CHIP			
R4085	1-218-883-11	METAL CHIP	33K	0.50%	1/10W	R4906	1-208-652-11	METAL CHIP	51	0.50%	1/16W
R4086	1-218-965-11	RES-CHIP	10K	5%	1/16W	R4907	1-218-990-81	SHORT CHIP			

BG2A

REF. NO.	ART NO.	DESCRIPTION	VALUES			REF. NO.	ART NO.	DESCRIPTION	VALUES		
R4908	1-218-929-11	RES-CHIP	10	5%	1/16W	R5593	1-208-695-11	METAL CHIP	3.3K	0.50%	1/16W
R4909	1-208-652-11	METAL CHIP	51	0.50%	1/16W	R5594	1-208-923-11	METAL CHIP	33K	0.50%	1/16W
R4910	1-218-933-11	RES-CHIP	22	5%	1/16W	R5622	1-218-965-11	RES-CHIP	10K	5%	1/16W
R4911	1-218-933-11	RES-CHIP	22	5%	1/16W	R5623	1-218-953-11	RES-CHIP	1K	5%	1/16W
R4912	1-218-933-11	RES-CHIP	22	5%	1/16W	R5624	1-218-969-11	RES-CHIP	22K	5%	1/16W
R4913	1-218-933-11	RES-CHIP	22	5%	1/16W	R5625	1-218-969-11	RES-CHIP	22K	5%	1/16W
R4914	1-218-929-11	RES-CHIP	10	5%	1/16W	R5628	1-218-965-11	RES-CHIP	10K	5%	1/16W
R4915	1-218-929-11	RES-CHIP	10	5%	1/16W	R5629	1-218-970-11	RES-CHIP	27K	5%	1/16W
R4916	1-218-933-11	RES-CHIP	22	5%	1/16W	R5630	1-218-990-81	SHORT CHIP			
R4917	1-218-933-11	RES-CHIP	22	5%	1/16W	R5631	1-218-945-11	RES-CHIP	220	5%	1/16W
R4918	1-218-933-11	RES-CHIP	22	5%	1/16W	R5647	1-218-990-81	SHORT CHIP			
R4919	1-218-933-11	RES-CHIP	22	5%	1/16W	R5649	1-218-990-81	SHORT CHIP			
R5000	1-216-864-11	SHORT CHIP				R5650	1-218-990-81	SHORT CHIP			
R5012	1-218-827-11	METAL CHIP	150	0.50%	1/10W	R5651	1-218-953-11	RES-CHIP	1K	5%	1/16W
R5013	1-218-827-11	METAL CHIP	150	0.50%	1/10W	R5652	1-218-953-11	RES-CHIP	1K	5%	1/16W
R5014	1-218-827-11	METAL CHIP	150	0.50%	1/10W	R5653	1-218-953-11	RES-CHIP	1K	5%	1/16W
R5015	1-218-827-11	METAL CHIP	150	0.50%	1/10W	R7019	1-218-941-11	RES-CHIP	100	5%	1/16W
R5016	1-218-953-11	RES-CHIP	1K	5%	1/16W	R7020	1-218-941-11	RES-CHIP	100	5%	1/16W
R5017	1-218-827-11	METAL CHIP	150	0.50%	1/10W	R7025	1-218-941-11	RES-CHIP	100	5%	1/16W
R5018	1-218-827-11	METAL CHIP	150	0.50%	1/10W	R7027	1-218-953-11	RES-CHIP	1K	5%	1/16W
R5019	1-218-977-11	RES-CHIP	100K	5%	1/16W	R7028	1-218-953-11	RES-CHIP	1K	5%	1/16W
R5021	1-216-801-11	METAL CHIP	22	5%	1/10W	R7034	1-208-715-11	METAL CHIP	22K	0.50%	1/16W
R5022	1-216-801-11	METAL CHIP	22	5%	1/10W	R7037	1-208-721-11	METAL CHIP	39K	0.50%	1/16W
R5023	1-216-801-11	METAL CHIP	22	5%	1/10W	R7038	1-208-933-11	METAL CHIP	82K	0.50%	1/16W
R5029	1-218-933-11	RES-CHIP	22	5%	1/16W	R7040	1-218-990-81	SHORT CHIP			
R5030	1-218-933-11	RES-CHIP	22	5%	1/16W	R7044	1-218-990-81	SHORT CHIP			
R5501	1-218-929-11	RES-CHIP	10	5%	1/16W	R7046	1-218-990-81	SHORT CHIP			
R5503	1-208-911-11	METAL CHIP	10K	0.50%	1/16W	R7047	1-218-953-11	RES-CHIP	1K	5%	1/16W
R5504	1-208-683-11	METAL CHIP	1K	0.50%	1/16W	R7049	1-218-953-11	RES-CHIP	1K	5%	1/16W
R5505	1-218-929-11	RES-CHIP	10	5%	1/16W	R7064	1-218-953-11	RES-CHIP	1K	5%	1/16W
R5511	1-208-911-11	METAL CHIP	10K	0.50%	1/16W	R7065	1-208-927-11	METAL CHIP	47K	0.50%	1/16W
R5512	1-208-683-11	METAL CHIP	1K	0.50%	1/16W	R7067	1-218-989-11	RES-CHIP	1M	5%	1/16W
R5519	1-218-961-11	RES-CHIP	4.7K	5%	1/16W	R7068	1-208-715-11	METAL CHIP	22K	0.50%	1/16W
R5523	1-218-977-11	RES-CHIP	100K	5%	1/16W	R7069	1-218-941-81	RES-CHIP	100	5%	1/16W
R5524	1-218-977-11	RES-CHIP	100K	5%	1/16W	R7070	1-216-823-11	METAL CHIP	1.5K	5%	1/10W
R5529	1-218-973-11	RES-CHIP	47K	5%	1/16W	R7071	1-216-823-11	METAL CHIP	1.5K	5%	1/10W
R5530	1-218-941-81	RES-CHIP	100	5%	1/16W	R7072	1-216-823-11	METAL CHIP	1.5K	5%	1/10W
R5531	1-218-977-11	RES-CHIP	100K	5%	1/16W	R7073	1-218-957-11	RES-CHIP	2.2K	5%	1/16W
R5534	1-218-961-11	RES-CHIP	4.7K	5%	1/16W	R7074	1-208-911-11	METAL CHIP	10K	0.50%	1/16W
R5538	1-218-973-11	RES-CHIP	47K	5%	1/16W	R7075	1-208-697-11	METAL CHIP	3.9K	0.50%	1/16W
R5543	1-218-941-81	RES-CHIP	100	5%	1/16W	R7076	1-218-958-11	RES-CHIP	2.7K	5%	1/16W
R5558	1-218-965-11	RES-CHIP	10K	5%	1/16W	R7077	1-218-974-11	RES-CHIP	56K	5%	1/16W
R5573	1-218-937-11	RES-CHIP	47	5%	1/16W	R7078	1-208-697-11	METAL CHIP	3.9K	0.50%	1/16W
R5591	1-208-695-11	METAL CHIP	3.3K	0.50%	1/16W	R7079	1-218-953-11	RES-CHIP	1K	5%	1/16W
R5592	1-208-695-11	METAL CHIP	3.3K	0.50%	1/16W	R7080	1-218-953-11	RES-CHIP	1K	5%	1/16W

BG2A

REF. NO.	ART NO.	DESCRIPTION	VALUES			REF. NO.	ART NO.	DESCRIPTION	VALUES		
R7081	1-218-961-11	RES-CHIP	4.7K	5%	1/16W	RB4702	1-234-372-11	RES, NETWORK 100	(1005X4)		
R7082	1-218-961-11	RES-CHIP	4.7K	5%	1/16W	RB4703	1-234-372-11	RES, NETWORK 100	(1005X4)		
R7084	1-218-989-11	RES-CHIP	1M	5%	1/16W	RB4704	1-239-698-11	RESISTOR, NETWORK 10K			
R7086	1-218-989-11	RES-CHIP	1M	5%	1/16W	RB4800	1-239-674-81	RESISTOR, NETWORK 100			
R7087	1-218-961-11	RES-CHIP	4.7K	5%	1/16W	RB4900	1-234-369-21	RES, NETWORK 10	(1005X4)		
R7088	1-218-961-11	RES-CHIP	4.7K	5%	1/16W	RB4901	1-234-369-21	RES, NETWORK 10	(1005X4)		
R7089	1-218-990-81	SHORT CHIP				RB4902	1-234-369-21	RES, NETWORK 10	(1005X4)		
R7103	1-216-825-11	METAL CHIP	2.2K	5%	1/10W	RB4903	1-234-369-21	RES, NETWORK 10	(1005X4)		
R7104	1-218-941-81	RES-CHIP	100	5%	1/16W	RB4904	1-234-370-21	RES, NETWORK 22	(1005X4)		
R7105	1-208-861-81	METAL CHIP	82	0.50%	1/16W	RB4905	1-234-370-21	RES, NETWORK 22	(1005X4)		
R7109	1-218-969-11	RES-CHIP	22K	5%	1/16W	RB4906	1-234-370-21	RES, NETWORK 22	(1005X4)		
R7110	1-218-969-11	RES-CHIP	22K	5%	1/16W	RB4907	1-234-370-21	RES, NETWORK 22	(1005X4)		
R7117	1-218-990-81	SHORT CHIP				RB4908	1-234-370-21	RES, NETWORK 22	(1005X4)		
<u>RESISTOR BRIDGE</u>											
RB2001	1-234-381-11	RES, NETWORK 100K	(1005X4)			RB4910	1-234-370-21	RES, NETWORK 22	(1005X4)		
RB2003	1-239-698-11	RESISTOR, NETWORK 10K				RB4911	1-234-370-21	RES, NETWORK 22	(1005X4)		
RB2004	1-239-674-81	RESISTOR, NETWORK 100				RB5001	1-239-698-11	RESISTOR, NETWORK 10K			
RB2006	1-234-378-21	RES, NETWORK 10K	(1005X4)			RB5002	1-239-670-81	RESISTOR, NETWORK 47			
RB2007	1-234-378-21	RES, NETWORK 10K	(1005X4)			RB5504	1-239-674-81	RESISTOR, NETWORK 100			
RB2008	1-239-674-81	RESISTOR, NETWORK 100				RB5505	1-239-674-81	RESISTOR, NETWORK 100			
RB2009	1-239-674-81	RESISTOR, NETWORK 100				RB5507	1-239-670-81	RESISTOR, NETWORK 47			
RB2010	1-239-698-11	RESISTOR, NETWORK 10K				RB5508	1-239-706-81	RESISTOR, NETWORK 47K			
RB2011	1-239-698-11	RESISTOR, NETWORK 10K				RB5509	1-239-698-11	RESISTOR, NETWORK 10K			
RB2012	1-239-698-11	RESISTOR, NETWORK 10K				RB5510	1-239-706-81	RESISTOR, NETWORK 47K			
RB3004	1-234-372-11	RES, NETWORK 100	(1005X4)			RB5511	1-239-706-81	RESISTOR, NETWORK 47K			
RB3005	1-234-372-11	RES, NETWORK 100	(1005X4)			RB5512	1-234-369-21	RES, NETWORK 10	(1005X4)		
RB3006	1-234-372-11	RES, NETWORK 100	(1005X4)			RB5513	1-234-369-21	RES, NETWORK 10	(1005X4)		
RB3007	1-234-378-21	RES, NETWORK 10K	(1005X4)			RB5514	1-234-369-21	RES, NETWORK 10	(1005X4)		
RB3008	1-234-378-21	RES, NETWORK 10K	(1005X4)			RB5515	1-234-369-21	RES, NETWORK 10	(1005X4)		
RB3010	1-234-372-11	RES, NETWORK 100	(1005X4)			<u>TUNER</u>					
RB3011	1-234-372-11	RES, NETWORK 100	(1005X4)			TU7001	8-597-611-00	TUNER, FSS BTF-CA411Z			
RB3014	1-239-698-11	RESISTOR, NETWORK 10K				<u>VARISTOR</u>					
RB3015	1-239-670-81	RESISTOR, NETWORK 47				VD1001	1-802-078-11	VARISTOR (SMD)			
RB3016	1-239-698-11	RESISTOR, NETWORK 10K				VD1002	1-802-078-11	VARISTOR (SMD)			
RB3017	1-239-674-81	RESISTOR, NETWORK 100				VD1005	1-802-078-11	VARISTOR (SMD)			
RB3018	1-239-698-11	RESISTOR, NETWORK 10K				VD1006	1-802-078-11	VARISTOR (SMD)			
RB3019	1-239-698-11	RESISTOR, NETWORK 10K				VD1106	1-802-078-11	VARISTOR (SMD)			
RB3020	1-239-674-81	RESISTOR, NETWORK 100				VD1107	1-802-078-11	VARISTOR (SMD)			
RB3021	1-239-674-81	RESISTOR, NETWORK 100				VD1108	1-802-078-11	VARISTOR (SMD)			
RB3022	1-239-698-11	RESISTOR, NETWORK 10K				VD1109	1-802-078-11	VARISTOR (SMD)			
RB3024	1-239-698-11	RESISTOR, NETWORK 10K				VD1110	1-802-078-11	VARISTOR (SMD)			
RB4510	1-234-372-11	RES, NETWORK 100	(1005X4)			VD1111	1-802-078-11	VARISTOR (SMD)			
RB4512	1-239-698-11	RESISTOR, NETWORK 10K									
RB4701	1-234-372-11	RES, NETWORK 100	(1005X4)								

BG2A G1M

REF. NO.ART NO.	DESCRIPTION	VALUES	REF. NO.ART NO.	DESCRIPTION	VALUES
VD1112	1-802-078-11	VARISTOR (SMD)	C6109	1-117-697-41	CERAMIC 470pF 10% 250V
VD1113	1-802-078-11	VARISTOR (SMD)	C6110	1-113-924-11	CERAMIC 0.0047μF 20% 250V
VD1114	1-802-078-11	VARISTOR (SMD)			
VD1115	1-802-078-11	VARISTOR (SMD)	C6111	1-117-699-11	CERAMIC 0.001μF 20% 250V
VD1702	1-802-078-11	VARISTOR (SMD)	C6112	1-162-966-11	CERAMIC CHIP 0.0022μF 10% 50V
			C6114	1-162-964-11	CERAMIC CHIP 0.001μF 10% 50V
VD1703	1-802-078-11	VARISTOR (SMD)	C6115	1-162-964-11	CERAMIC CHIP 0.001μF 10% 50V
VD1710	1-802-078-11	VARISTOR (SMD)	C6117	1-107-823-11	CERAMIC CHIP 0.47μF 10% 16V
VD1711	1-802-078-11	VARISTOR (SMD)			
VD1720	1-802-078-11	VARISTOR (SMD)	C6119	1-107-875-91	ELECT 220μF 20% 10V
VD1721	1-802-078-11	VARISTOR (SMD)	C6121	1-115-339-11	CERAMIC CHIP 0.1μF 10% 50V
			C6122	1-107-906-11	ELECT 10μF 20% 50V
VD5002	1-802-078-11	VARISTOR (SMD)	C6123	1-165-127-11	CERAMIC 470pF 10% 500V
VD5003	1-802-078-11	VARISTOR (SMD)	C6124	1-165-127-11	CERAMIC 470pF 10% 500V
VD5004	1-802-078-11	VARISTOR (SMD)			
VD5005	1-802-078-11	VARISTOR (SMD)	C6125	1-165-127-11	CERAMIC 470pF 10% 500V
VD5006	1-802-078-11	VARISTOR (SMD)	C6126	1-165-127-11	CERAMIC 470pF 10% 500V
			C6127	1-127-573-11	CERAMIC CHIP 1μF 10% 16V
VD5501	1-805-774-21	VARISTOR, CHIP	C6129	1-162-970-11	CERAMIC CHIP 0.01μF 10% 25V
VD5503	1-802-417-11	SURGE ABSORBER	C6130	1-165-176-11	CERAMIC CHIP 0.047μF 10% 16V
VD5506	1-802-417-11	SURGE ABSORBER			
VD5509	1-802-417-11	SURGE ABSORBER	C6131	1-115-412-11	CERAMIC CHIP 680pF 5% 25V
VD5513	1-802-417-11	SURGE ABSORBER	C6132	1-107-906-11	ELECT 10μF 20% 50V
			C6133	1-100-597-91	CERAMIC CHIP 0.1μF 10% 25V
VD5517	1-802-417-11	SURGE ABSORBER	C6134	1-107-907-11	ELECT 22μF 20% 50V
VD5519	1-802-481-11	ESD SUPPRESSOR (4 ARRAY)	C6135	1-162-964-11	CERAMIC CHIP 0.001μF 10% 50V
VD5520	1-802-481-11	ESD SUPPRESSOR (4 ARRAY)			
VD5521	1-802-481-11	ESD SUPPRESSOR (4 ARRAY)	C6136	1-163-021-91	CERAMIC CHIP 0.01μF 10% 50V
VD5522	1-802-481-11	ESD SUPPRESSOR (4 ARRAY)	C6137	1-107-910-11	ELECT 100μF 20% 50V
			C6138	1-115-339-11	CERAMIC CHIP 0.1μF 10% 50V
			C6139	1-164-227-11	CERAMIC CHIP 0.022μF 10% 25V
			C6142	1-104-962-91	ELECT 47μF 20% 35V
			C6143	1-115-340-11	CERAMIC CHIP 0.22μF 10% 25V
			C6145	1-107-826-11	CERAMIC CHIP 0.1μF 10% 16V
			C6146	1-162-927-11	CERAMIC CHIP 100pF 5% 50V
			C6147	1-107-905-11	ELECT 4.7μF 20% 50V
			C6148	1-165-127-11	CERAMIC 470pF 10% 500V
			C6149	1-107-903-11	ELECT 2.2μF 20% 50V
			C6151	1-165-127-11	CERAMIC 470pF 10% 500V
			C6152	1-137-807-31	ELECT 100μF 20% 50V
			C6153	1-162-964-11	CERAMIC CHIP 0.001μF 10% 50V
			C6158	1-162-970-11	CERAMIC CHIP 0.01μF 10% 25V
			C6160	1-163-021-91	CERAMIC CHIP 0.01μF 10% 50V
			C6165	1-107-826-11	CERAMIC CHIP 0.1μF 10% 16V
			C6166	1-107-826-11	CERAMIC CHIP 0.1μF 10% 16V
			C6201	1-127-715-11	CERAMIC CHIP 0.22μF 10% 16V
			C6202	1-112-208-21	ELECT 470μF 20% 6.3V
			C6203	1-164-227-11	CERAMIC CHIP 0.022μF 10% 25V
			C6204	1-112-254-21	ELECT 1000μF 20% 35V
			C6205	1-112-254-21	ELECT 1000μF 20% 35V

CRYSTAL

X2001	1-813-462-11	VIBRATOR, CRYSTAL 24.576MHZ
X3001	1-813-070-21	PIEZOELECTRIC OSCILLATOR
X3009	1-813-784-21	VIBRATOR, CRYSTAL
X4500	1-813-773-11	VIBRATOR, CRYSTAL

G1M

* **A-1513-114-A** **G1M BOARD, MOUNTED (KLK-32L400A ONLY)**
 2-409-877-21 WASHER (3X10), RS TITE SPRING

CAPACITOR

C6101	1-113-924-11	CERAMIC	0.0047μF	20%	250V
C6102	1-119-884-51	CERAMIC	100pF	10%	250V
C6103	1-119-891-51	CERAMIC	220pF	10%	250V
C6104	1-117-697-41	CERAMIC	470pF	10%	250V
C6105	1-165-529-11	MYLAR	0.22μF	10	275V
C6106	1-165-529-11	MYLAR	0.22μF	10	275V
C6107	1-119-884-51	CERAMIC	100pF	10%	250V
C6108	1-119-891-51	CERAMIC	220pF	10%	250V

NOTE: The components identified by shading and Δ mark are critical for safety. Replace only with part number specified.

G1M

REF. NO.	ART NO.	DESCRIPTION	VALUES	REF. NO.	ART NO.	DESCRIPTION	VALUES
C6206	1-112-835-11	ELECT	3300 μ F 20% 25V	D6134	6-501-822-11	DIODE	10ERB60-TB5
C6208	1-107-826-11	CERAMIC CHIP	0.1 μ F 10% 16V	D6135	6-500-600-01	DIODE	MM3Z3V3T1
C6210	1-127-573-11	CERAMIC CHIP	1 μ F 10% 16V	Δ D6136	8-719-931-47	DIODE	HZS27NTD
C6212	1-100-597-91	CERAMIC CHIP	0.1 μ F 10% 25V	D6137	6-500-021-01	DIODE	MM3Z4V7ST1
C6251	1-112-208-21	ELECT	470 μ F 20% 6.3V	D6138	8-719-081-97	DIODE	MMDL914T1
C6252	1-112-242-21	ELECT	1500 μ F 20% 25V	D6139	6-500-567-21	DIODE	10ERB20-TB5
C6254	1-117-699-11	CERAMIC	0.001 μ F 20% 250V	D6140	6-500-021-01	DIODE	MM3Z4V7ST1
C6255	1-137-198-81	FILM	1 μ F 5% 50V	D6141	8-719-081-97	DIODE	MMDL914T1
C6256	1-100-591-91	CERAMIC CHIP	1 μ F 10% 25V	D6201	8-719-200-31	DIODE	21DQ05
C6258	1-100-591-91	CERAMIC CHIP	1 μ F 10% 25V	D6202	6-501-505-01	DIODE	FCH08U10
CONNECTOR				D6203	6-501-505-01	DIODE	FCH08U10
CN6101	1-695-915-11	TAB (CONTACT)		D6205	6-501-319-01	DIODE	FCQ10A06
CN6102	1-580-843-11	PIN, CONNECTOR (POWER)		D6206	6-500-555-01	DIODE	MM3Z27VT1
* CN6201	1-785-708-11	PIN, CONNECTOR (PC BOARD)	12P	D6209	8-719-081-97	DIODE	MMDL914T1
* CN6202	1-793-236-11	PIN, CONNECTOR (PC BOARD)	14P	D6210	8-719-082-03	DIODE	MM3Z15VT1
DIODE				D6211	6-501-319-01	DIODE	FCQ10A06
D6101	8-719-510-53	DIODE	D4SB60L	IC			
D6102	8-719-081-97	DIODE	MMDL914T1	IC6101	6-709-192-01	IC	FA5501AN-D1-TE1
D6103	6-500-567-01	DIODE	10ERB20-TA1B2	Δ IC6104	6-707-749-01	IC	CXD9841P
D6104	6-500-567-01	DIODE	10ERB20-TA1B2	Δ IC6105	6-708-801-01	IC	MIP2H2
D6105	8-719-081-97	DIODE	MMDL914T1	IC6201	6-709-155-01	IC	TS3431BILT
D6106	8-719-081-97	DIODE	MMDL914T1	PHOTO COUPLER			
D6107	8-719-027-76	DIODE	1SS357-TPH3	PH6101	6-600-276-01	PHOTO COUPLER	PS2561AL1-1-V-W
D6108	8-719-081-97	DIODE	MMDL914T1	PH6102	6-600-276-01	PHOTO COUPLER	PS2561AL1-1-V-W
D6109	8-719-054-59	DIODE	FSF05A60	PH6103	6-600-276-01	PHOTO COUPLER	PS2561AL1-1-V-W
D6110	8-719-976-99	DIODE	DTZ5.1B	PH6104	6-600-276-01	PHOTO COUPLER	PS2561AL1-1-V-W
D6111	8-719-081-97	DIODE	MMDL914T1	PH6105	6-600-276-01	PHOTO COUPLER	PS2561AL1-1-V-W
D6112	6-500-335-01	DIODE	MC2838-T112-1	IC LINK			
D6113	8-719-081-97	DIODE	MMDL914T1	Δ PS6203	1-533-596-21	IC LINK	4A 90V
D6114	8-719-081-97	DIODE	MMDL914T1	TRANSISTOR			
D6115	8-719-081-97	DIODE	MMDL914T1	Q6102	8-729-141-48	TRANSISTOR	2SB624-BV345
Δ D6116	6-501-906-01	DIODE	11EQS03LN-TB5	Δ Q6103	6-551-303-01	TRANSISTOR	2SK3683-01MR-F111
D6119	8-719-027-76	DIODE	1SS357-TPH3	Q6104	8-729-045-62	TRANSISTOR	2SK2158-T2B
D6120	6-500-448-11	DIODE	D1NF60-TA	Q6105	6-551-696-01	TRANSISTOR	ISA1235AC1TP-1EF
Δ D6121	6-501-906-01	DIODE	11EQS03LN-TB5	Q6106	8-729-620-07	TRANSISTOR	2SC3052EF-T1-LEF
D6122	8-719-082-03	DIODE	MM3Z15VT1	Q6107	8-729-920-79	TRANSISTOR	2SB1132-T100-QR
D6127	8-719-056-83	DIODE	UDZ-TE-17-6.8B	Q6108	8-729-027-43	TRANSISTOR	DTC114EKA-T146
D6128	8-719-081-97	DIODE	MMDL914T1	Δ Q6109	6-551-302-01	TRANSISTOR	2SK3561(LBS1SONY,Q
D6129	6-501-297-11	DIODE	1F6G-TA26	Δ Q6110	6-551-302-01	TRANSISTOR	2SK3561(LBS1SONY,Q
D6132	8-719-081-97	DIODE	MMDL914T1	Q6111	8-729-045-62	TRANSISTOR	2SK2158-T2B
D6133	6-501-450-11	DIODE	11EFS4-TB5	Q6112	8-729-045-62	TRANSISTOR	2SK2158-T2B
				Q6201	8-729-045-62	TRANSISTOR	2SK2158-T2B

NOTE: The components identified by shading and Δ mark are critical for safety. Replace only with part number specified.

G1M

REF. NO.	ART NO.	DESCRIPTION	VALUES			REF. NO.	ART NO.	DESCRIPTION	VALUES		
Q6202	6-551-696-01	TRANSISTOR	ISA1235AC1TP-1EF			R6150	1-216-833-11	METAL CHIP	10K	5%	1/10W
Q6203	8-729-620-07	TRANSISTOR	2SC3052EF-T1-LEF			R6151	1-216-833-11	METAL CHIP	10K	5%	1/10W
RESISTOR						R6152	1-218-872-11	METAL CHIP	11K	0.50%	1/10W
Δ R6101	1-240-251-92	METAL	6.8	5%	10W	R6153	1-216-864-11	SHORT CHIP			
R6102	1-240-576-21	METAL CHIP	470K	1%	1/10W	R6154	1-218-886-11	METAL CHIP	43K	0.50%	1/10W
R6103	1-240-576-21	METAL CHIP	470K	1%	1/10W	R6155	1-218-903-11	METAL CHIP	220K	0.50%	1/10W
R6106	1-218-877-11	METAL CHIP	18K	0.50%	1/10W	R6157	1-249-429-11	CARBON	10K	5%	1/4W
R6107	1-216-073-91	RES-CHIP	10K	5%	1/10W	R6158	1-249-429-11	CARBON	10K	5%	1/4W
R6108	1-240-576-21	METAL CHIP	470K	1%	1/10W	R6159	1-216-833-11	METAL CHIP	10K	5%	1/10W
R6109	1-240-576-21	METAL CHIP	470K	1%	1/10W	R6160	1-216-825-11	METAL CHIP	2.2K	5%	1/10W
R6113	1-215-869-11	METAL OXIDE	1K	5%	1W	R6161	1-249-425-11	CARBON	4.7K	5%	1/4W
R6114	1-216-077-91	RES-CHIP	15K	5%	1/10W	R6162	1-211-989-11	METAL CHIP	68	0.50%	1/10W
R6115	1-249-397-11	CARBON	22	5%	1/4W	R6163	1-211-985-11	METAL CHIP	47	0.50%	1/10W
R6117	1-216-817-11	METAL CHIP	470	5%	1/10W	R6165	1-216-065-91	RES-CHIP	4.7K	5%	1/10W
R6118	1-216-851-11	METAL CHIP	330K	5%	1/10W	R6166	1-249-426-11	CARBON	5.6K	5%	1/4W
R6119	1-216-837-11	METAL CHIP	22K	5%	1/10W	R6167	1-247-791-91	CARBON	22	5%	1/4W
R6120	1-216-845-11	METAL CHIP	100K	5%	1/10W	R6168	1-216-009-91	RES-CHIP	22	5%	1/10W
R6121	1-249-397-11	CARBON	22	5%	1/4W	R6169	1-216-049-11	RES-CHIP	1K	5%	1/10W
R6122	1-216-833-11	METAL CHIP	10K	5%	1/10W	R6170	1-216-833-11	METAL CHIP	10K	5%	1/10W
R6124	1-216-809-11	METAL CHIP	100	5%	1/10W	R6171	1-216-833-11	METAL CHIP	10K	5%	1/10W
R6125	1-216-001-00	RES-CHIP	10	5%	1/10W	R6172	1-218-642-11	METAL OXIDE	100K	5%	1W
R6127	1-215-882-00	METAL OXIDE	22	5%	2W	R6173	1-216-830-11	METAL CHIP	5.6K	5%	1/10W
R6128	1-216-801-11	METAL CHIP	22	5%	1/10W	R6175	1-216-821-11	METAL CHIP	1K	5%	1/10W
R6129	1-215-882-00	METAL OXIDE	22	5%	2W	R6178	1-216-857-11	METAL CHIP	1M	5%	1/10W
R6130	1-208-840-11	METAL CHIP	270K	0.50%	1/10W	R6179	1-216-821-11	METAL CHIP	1K	5%	1/10W
R6131	1-208-840-11	METAL CHIP	270K	0.50%	1/10W	R6180	1-216-829-11	METAL CHIP	4.7K	5%	1/10W
R6132	1-208-840-11	METAL CHIP	270K	0.50%	1/10W	R6181	1-249-397-11	CARBON	22	5%	1/4W
R6133	1-208-840-11	METAL CHIP	270K	0.50%	1/10W	R6183	1-216-837-11	METAL CHIP	22K	5%	1/10W
R6134	1-218-760-11	METAL CHIP	220K	0.50%	1/10W	R6185	1-208-822-11	METAL CHIP	47K	0.50%	1/10W
R6135	1-208-804-11	METAL CHIP	8.2K	0.50%	1/10W	R6186	1-216-105-91	RES-CHIP	220K	5%	1/10W
R6136	1-216-635-11	METAL CHIP	220	0.50%	1/10W	R6187	1-218-903-11	METAL CHIP	220K	0.50%	1/10W
R6137	1-208-854-11	METAL CHIP	1M	0.50%	1/10W	R6188	1-208-854-11	METAL CHIP	1M	0.50%	1/10W
R6138	1-208-854-11	METAL CHIP	1M	0.50%	1/10W	R6189	1-216-845-11	METAL CHIP	100K	5%	1/10W
R6139	1-208-854-11	METAL CHIP	1M	0.50%	1/10W	R6190	1-249-385-11	CARBON	2.2	5%	1/4W
R6140	1-208-854-11	METAL CHIP	1M	0.50%	1/10W	R6191	1-216-833-11	METAL CHIP	10K	5%	1/10W
R6141	1-218-760-11	METAL CHIP	220K	0.50%	1/10W	R6192	1-247-289-00	METAL	8.2M	5%	1W
R6142	1-216-685-11	METAL CHIP	27K	0.50%	1/10W	R6201	1-216-821-11	METAL CHIP	1K	5%	1/10W
R6144	1-216-857-11	METAL CHIP	1M	5%	1/10W	R6202	1-216-825-11	METAL CHIP	2.2K	5%	1/10W
R6145	1-247-903-00	CARBON	1M	5%	1/4W	R6203	1-216-827-11	METAL CHIP	3.3K	5%	1/10W
R6146	1-216-851-11	METAL CHIP	330K	5%	1/10W	R6204	1-216-829-11	METAL CHIP	4.7K	5%	1/10W
Δ R6147	1-202-933-61	FUSIBLE	0.1	10%	1/2W	R6207	1-216-817-11	METAL CHIP	470	5%	1/10W
R6148	1-249-385-11	CARBON	2.2	5%	1/4W	R6208	1-216-829-11	METAL CHIP	4.7K	5%	1/10W
R6149	1-216-825-11	METAL CHIP	2.2K	5%	1/10W	R6209	1-218-885-11	METAL CHIP	39K	0.50%	1/10W
						R6210	1-218-871-11	METAL CHIP	10K	0.50%	1/10W
						R6211	1-218-867-11	METAL CHIP	6.8K	0.50%	1/10W

NOTE: The components identified by shading and Δ mark are critical for safety. Replace only with part number specified.

G1M G5M

REF. NO.	ART NO.	DESCRIPTION	VALUES			REF. NO.	ART NO.	DESCRIPTION	VALUES		
R6212	1-216-833-11	METAL CHIP	10K	5%	1/10W	C6020	1-117-768-91	CERAMIC	470pF	10%	2KV
R6213	1-216-833-11	METAL CHIP	10K	5%	1/10W	C6022	1-162-969-11	CERAMIC CHIP	0.0068 μ F	10%	25V
R6214	1-218-863-11	METAL CHIP	4.7K	0.50%	1/10W	C6023	1-107-823-11	CERAMIC CHIP	0.47 μ F	10%	16V
R6215	1-218-867-11	METAL CHIP	6.8K	0.50%	1/10W	C6024	1-162-970-11	CERAMIC CHIP	0.01 μ F	10%	25V
R6218	1-218-847-11	METAL CHIP	1K	0.50%	1/10W	C6025	1-162-964-11	CERAMIC CHIP	0.001 μ F	10%	50V
R6219	1-216-821-11	METAL CHIP	1K	5%	1/10W	C6026	1-162-970-11	CERAMIC CHIP	0.01 μ F	10%	25V
R6220	1-216-837-11	METAL CHIP	22K	5%	1/10W	C6029	1-107-882-91	ELECT	100 μ F	20%	16V
R6222	1-216-073-91	RES-CHIP	10K	5%	1/10W	C6032	1-127-573-11	CERAMIC CHIP	1 μ F	10%	16V
R6223	1-216-833-11	METAL CHIP	10K	5%	1/10W	C6035	1-107-826-11	CERAMIC CHIP	0.1 μ F	10%	16V
R6224	1-216-837-11	METAL CHIP	22K	5%	1/10W	C6038	1-135-361-11	ELECT(BLOCK)	180 μ F	20%	450V
R6225	1-216-821-11	METAL CHIP	1K	5%	1/10W	C6039	1-115-339-11	CERAMIC CHIP	0.1 μ F	10%	50V
R6226	1-216-833-11	METAL CHIP	10K	5%	1/10W	C6040	1-135-361-11	ELECT(BLOCK)	180 μ F	20%	450V
R6230	1-249-385-11	CARBON	2.2	5%	1/4W	C6041	1-107-906-11	ELECT	10 μ F	20%	50V
R6232	1-247-807-31	CARBON	100	5%	1/4W	C6042	1-162-970-11	CERAMIC CHIP	0.01 μ F	10%	25V
R6237	1-215-871-11	METAL OXIDE	2.2K	5%	1W	C6043	1-107-826-11	CERAMIC CHIP	0.1 μ F	10%	16V
RELAY						C6044	1-162-927-11	CERAMIC CHIP	100pF	5%	50V
RY6101	1-755-488-11	RELAY	(LKP1AF-18V)			C6045	1-107-903-11	ELECT	2.2 μ F	20%	50V
VARISTOR						C6046	1-107-904-11	ELECT	3.3 μ F	20%	50V
VD6101	1-804-996-21	VARISTOR				C6047	1-162-970-11	CERAMIC CHIP	0.01 μ F	10%	25V
VD6102	1-804-996-21	VARISTOR				C6048	1-100-139-31	FILM	0.001 μ F	5%	630V
						C6049	1-107-905-11	ELECT	4.7 μ F	20%	50V
						C6050	1-107-910-11	ELECT	100 μ F	20%	50V
						C6051	1-115-339-11	CERAMIC CHIP	0.1 μ F	10%	50V
						C6052	1-107-906-11	ELECT	10 μ F	20%	50V
						C6053	1-100-831-91	CERAMIC CHIP	0.001 μ F	2%	50V
						C6054	1-162-970-11	CERAMIC CHIP	0.01 μ F	10%	25V
						C6055	1-125-889-11	CERAMIC CHIP	2.2 μ F	10%	10V
						C6058	1-107-910-11	ELECT	100 μ F	20%	50V
						C6059	1-107-826-11	CERAMIC CHIP	0.1 μ F	10%	16V
						C6060	1-162-964-11	CERAMIC CHIP	0.001 μ F	10%	50V
						C6061	1-127-943-51	CERAMIC	330pF	10%	250V
						C6062	1-162-964-11	CERAMIC CHIP	0.001 μ F	10%	50V
						C6063	1-165-729-31	ELECT	470 μ F	20%	16V
						C6064	1-115-340-11	CERAMIC CHIP	0.22 μ F	10%	25V
						C6065	1-163-021-91	CERAMIC CHIP	0.01 μ F	10%	50V
						C6066	1-107-888-11	ELECT	47 μ F	20%	25V
						C6067	1-125-891-11	CERAMIC CHIP	0.47 μ F	10%	10V
						C6068	1-107-826-11	CERAMIC CHIP	0.1 μ F	10%	16V
						C6071	1-117-768-91	CERAMIC	470pF	10%	2KV
						C6072	1-125-891-11	CERAMIC CHIP	0.47 μ F	10%	10V
						C6073	1-100-310-11	FILM	18000pF	3%	800V
						C6074	1-162-964-11	CERAMIC CHIP	0.001 μ F	10%	50V
						C6076	1-164-227-11	CERAMIC CHIP	0.022 μ F	10%	25V
						C6078	1-112-254-21	ELECT	1000 μ F	20%	35V
						C6079	1-112-254-21	ELECT	1000 μ F	20%	35V
G5M BOARD, MOUNTED (KLV-37L400A ONLY)											
4-382-854-01						SCREW (M3X8), P, SW (+)					
CAPACITOR											
C6001	1-163-021-91	CERAMIC CHIP	0.01 μ F	10%	50V						
C6002	1-113-889-11	CERAMIC	0.001 μ F	20%	250V						
C6003	1-113-889-11	CERAMIC	0.001 μ F	20%	250V						
C6004	1-114-153-51	CERAMIC	680pF	10%	250V						
C6006	1-161-964-91	CERAMIC	0.0047 μ F		250V						
C6007	1-165-539-31	FILM	0.22 μ F	10%	275V						
C6009	1-165-541-11	FILM	1 μ F	10%	275V						
C6010	1-161-964-91	CERAMIC	0.0047 μ F		250V						
C6011	1-113-889-11	CERAMIC	0.001 μ F	20%	250V						
C6012	1-114-153-51	CERAMIC	680pF	10%	250V						
C6015	1-113-889-11	CERAMIC	0.001 μ F	20%	250V						
C6016	1-117-227-11	MYLAR	1 μ F	10%	450V						
C6017	1-117-227-11	MYLAR	1 μ F	10%	450V						
C6018	1-107-888-11	ELECT	47 μ F	20%	25V						
C6019	1-117-768-91	CERAMIC	470pF	10%	2KV						

G5M

* A-1358-825-A

G5M BOARD, MOUNTED (KLV-37L400A ONLY)

4-382-854-01 SCREW (M3X8), P, SW (+)

CAPACITOR

C6001	1-163-021-91	CERAMIC CHIP	0.01 μ F	10%	50V
C6002	1-113-889-11	CERAMIC	0.001 μ F	20%	250V
C6003	1-113-889-11	CERAMIC	0.001 μ F	20%	250V
C6004	1-114-153-51	CERAMIC	680pF	10%	250V
C6006	1-161-964-91	CERAMIC	0.0047 μ F		250V
C6007	1-165-539-31	FILM	0.22 μ F	10%	275V
C6009	1-165-541-11	FILM	1 μ F	10%	275V
C6010	1-161-964-91	CERAMIC	0.0047 μ F		250V
C6011	1-113-889-11	CERAMIC	0.001 μ F	20%	250V
C6012	1-114-153-51	CERAMIC	680pF	10%	250V
C6015	1-113-889-11	CERAMIC	0.001 μ F	20%	250V
C6016	1-117-227-11	MYLAR	1 μ F	10%	450V
C6017	1-117-227-11	MYLAR	1 μ F	10%	450V
C6018	1-107-888-11	ELECT	47 μ F	20%	25V
C6019	1-117-768-91	CERAMIC	470pF	10%	2KV

NOTE: The components identified by shading and \triangle mark are critical for safety. Replace only with part number specified.

G5M

REF. NO.	ART NO.	DESCRIPTION	VALUES	REF. NO.	ART NO.	DESCRIPTION	VALUES
C6080	1-112-254-21	ELECT	1000 μ F 20% 35V	D6044	6-501-545-01	DIODE	SG10SC6-F5
C6083	1-112-242-21	ELECT	1500 μ F 20% 25V	D6045	6-500-555-01	DIODE	MM3Z27VT1
C6084	1-112-242-21	ELECT	1500 μ F 20% 25V	D6046	6-501-817-01	DIODE	MA2J1110GLS0
C6093	1-100-597-91	CERAMIC CHIP	0.1 μ F 10% 25V	D6047	6-501-545-01	DIODE	SG10SC6-F5
C6094	1-127-573-11	CERAMIC CHIP	1 μ F 10% 16V	D6048	6-501-545-01	DIODE	SG10SC6-F5
CONNECTOR				D6050	6-500-555-01	DIODE	MM3Z27VT1
CN6000	1-695-915-11	TAB (CONTACT)		D6051	8-719-082-03	DIODE	MM3Z15VT1
CN6007	1-695-915-11	TAB (CONTACT)		D6052	8-719-081-97	DIODE	MMDL914T1
CN6102	1-580-843-11	PIN, CONNECTOR (POWER)		FUSE			
* CN6201	1-793-235-11	PIN, CONNECTOR (PC BOARD)	13P	\triangle F6000	1-576-233-51	FUSE	6.3A 250V
* CN6202	1-785-703-11	PIN, CONNECTOR (PC BOARD)	6P	FERRITE BEAD			
CN6203	1-785-705-11	PIN, CONNECTOR (PC BOARD)	9P	FB6001	1-412-911-11	FERRITE	0 μ H
CN6204	1-695-915-11	TAB (CONTACT)		FB6002	1-412-911-11	FERRITE	0 μ H
DIODE				IC			
D6000	6-501-817-01	DIODE	MA2J1110GLS0	\triangle IC6000	6-709-192-01	IC	FA5501AN-D1-TE1
D6001	6-501-817-01	DIODE	MA2J1110GLS0	\triangle IC6001	6-708-801-01	IC	MIP2H2
D6002	6-501-817-01	DIODE	MA2J1110GLS0	\triangle IC6002	6-707-749-01	IC	CXD9841P
D6003	8-719-054-89	DIODE	D15XB60	IC6003	8-759-682-42	IC	MM1431ATT
D6005	6-500-020-01	DIODE	MM3Z4V3ST1	IC6004	6-709-442-01	IC	MM1530ATT
D6006	6-501-817-01	DIODE	MA2J1110GLS0	IC6005	6-709-368-01	IC	MM1431ATT (CN)
D6007	6-501-817-01	DIODE	MA2J1110GLS0	\triangle IC6006	6-709-368-01	IC	MM1431ATT (CN)
D6008	6-501-817-01	DIODE	MA2J1110GLS0	CHIP CONDUCTOR			
D6014	6-500-137-01	DIODE	BAT54HT1	JR6000	1-216-295-91	SHORT CHIP	
\triangle D6015	8-719-055-38	DIODE	SF5L60	JR6001	1-216-296-11	SHORT CHIP	
D6016	6-500-108-01	DIODE	EP05FA20	JR6002	1-216-296-11	SHORT CHIP	
D6017	6-500-108-01	DIODE	EP05FA20	JR6003	1-216-295-91	SHORT CHIP	
\triangle D6019	6-501-817-01	DIODE	MA2J1110GLS0	JR6004	1-216-296-11	SHORT CHIP	
D6020	6-501-817-01	DIODE	MA2J1110GLS0	JR6005	1-216-296-11	SHORT CHIP	
D6021	6-501-817-01	DIODE	MA2J1110GLS0	JR6006	1-216-296-11	SHORT CHIP	
\triangle D6022	6-501-817-01	DIODE	MA2J1110GLS0	JR6007	1-216-296-11	SHORT CHIP	
\triangle D6023	8-719-081-67	DIODE	M1FM3	JR6008	1-216-296-11	SHORT CHIP	
D6024	6-501-818-01	DIODE	MA2J1130GLS0	JR6009	1-216-296-11	SHORT CHIP	
D6025	6-501-297-11	DIODE	1F6G-TA26	JR6010	1-216-296-11	SHORT CHIP	
D6026	6-500-567-31	DIODE	10ERB20-TB3	JR6011	1-216-296-11	SHORT CHIP	
D6027	6-500-567-31	DIODE	10ERB20-TB3	JR6012	1-216-296-11	SHORT CHIP	
D6028	6-500-567-31	DIODE	10ERB20-TB3	JR6013	1-216-295-91	SHORT CHIP	
D6030	6-501-817-01	DIODE	MA2J1110GLS0	JR6014	1-216-296-11	SHORT CHIP	
D6031	8-719-510-02	DIODE	D1NS4	JR6015	1-216-296-11	SHORT CHIP	
D6033	6-500-137-01	DIODE	BAT54HT1	JR6020	1-216-295-91	SHORT CHIP	
\triangle D6034	8-719-081-67	DIODE	M1FM3	JR6021	1-216-295-91	SHORT CHIP	
\triangle D6035	8-719-979-64	DIODE	UF4005/23				
D6036	6-501-817-01	DIODE	MA2J1110GLS0				
D6042	6-501-917-01	DIODE	SG10SC9F5-5009F23				
\triangle D6043	6-501-917-01	DIODE	SG10SC9F5-5009F23				

NOTE: The components identified by shading and Δ mark are critical for safety. Replace only with part number specified.



REF. NO.	ART NO.	DESCRIPTION	VALUES	REF. NO.	ART NO.	DESCRIPTION	VALUES
COIL				RESISTOR			
L6000	1-456-856-11	LINE FILTER COIL		R6001	1-216-857-11	METAL CHIP	1M 5% 1/10W
L6002	1-457-218-11	INDUCTOR	100 μ H	R6002	1-218-760-11	METAL CHIP	220K 0.50% 1/10W
L6004	1-414-487-41	INDUCTOR	1 μ H	R6003	1-218-760-11	METAL CHIP	220K 0.50% 1/10W
L6005	1-414-487-41	INDUCTOR	1 μ H	R6004	1-208-830-11	METAL CHIP	100K 0.50% 1/10W
L6007	1-414-183-41	INDUCTOR	10 μ H	R6005	1-208-846-11	METAL CHIP	470K 0.50% 1/10W
L6008	1-457-239-11	INDUCTOR	4.7 μ H	R6006	1-218-911-11	METAL CHIP	470K 0.50% 1/10W
L6009	1-457-239-11	INDUCTOR	4.7 μ H	R6007	1-218-887-11	METAL CHIP	47K 0.50% 1/10W
PHOTO COUPLER				R6008	1-218-760-11	METAL CHIP	220K 0.50% 1/10W
Δ PH6000	6-600-187-01	PHOTO COUPLER	PC123Y22JOOF	R6009	1-218-760-11	METAL CHIP	220K 0.50% 1/10W
Δ PH6001	6-600-187-01	PHOTO COUPLER	PC123Y22JOOF	Δ R6016	1-240-251-11	METAL	6.8 5% 10W
Δ PH6002	6-600-187-01	PHOTO COUPLER	PC123Y22JOOF	Δ R6021	1-218-913-91	METAL CHIP	560K 0.50% 1/10W
PH6003	6-600-187-01	PHOTO COUPLER	PC123Y22JOOF	R6023	1-216-864-11	SHORT CHIP	
Δ PH6004	6-600-187-01	PHOTO COUPLER	PC123Y22JOOF	Δ R6024	1-218-879-11	METAL CHIP	22K 0.50% 1/10W
IC LINK				R6026	1-218-823-11	METAL CHIP	100 0.50% 1/10W
Δ PS6000	1-533-597-41	IC LINK	5A 90V	Δ R6027	1-215-882-00	METAL OXIDE	22 5% 2W
Δ PS6001	1-533-597-41	IC LINK	5A 90V	Δ R6028	1-247-752-11	CARBON	1K 5% 1/2W
Δ PS6002	1-533-597-41	IC LINK	5A 90V	R6029	1-216-833-11	METAL CHIP	10K 5% 1/10W
Δ PS6003	1-533-597-41	IC LINK	5A 90V	R6030	1-216-295-91	SHORT CHIP	
Δ PS6004	1-533-597-41	IC LINK	5A 90V	R6031	1-219-729-11	METAL	0.33 10% 5W
Δ PS6005	1-533-597-41	IC LINK	5A 90V	R6032	1-218-823-11	METAL CHIP	100 0.50% 1/10W
TRANSISTOR				R6033	1-216-864-11	SHORT CHIP	
Δ Q6000	8-729-045-62	TRANSISTOR	2SK2158-T2B	Δ R6034	1-219-729-11	METAL	0.33 10% 5W
Δ Q6001	6-551-403-01	TRANSISTOR	2SK3797(LBS1SONY.	R6035	1-218-835-11	METAL CHIP	330 0.50% 1/10W
Δ Q6002	6-551-403-01	TRANSISTOR	2SK3797(LBS1SONY.	Δ R6036	1-211-989-11	METAL CHIP	68 0.50% 1/10W
Δ Q6003	8-729-820-90	TRANSISTOR	2SD1621-ST	R6037	1-216-833-11	METAL CHIP	10K 5% 1/10W
Q6004	8-729-804-41	TRANSISTOR	2SB1122-S	R6038	1-216-837-11	METAL CHIP	22K 5% 1/10W
Q6005	6-551-696-01	TRANSISTOR	ISA1235AC1TP-1EF	R6039	1-216-821-11	METAL CHIP	1K 5% 1/10W
Δ Q6006	8-729-620-07	TRANSISTOR	2SC3052EF-T1-LEF	R6042	1-216-837-11	METAL CHIP	22K 5% 1/10W
Q6007	8-729-620-07	TRANSISTOR	2SC3052EF-T1-LEF	R6043	1-216-833-11	METAL CHIP	10K 5% 1/10W
Δ Q6008	8-729-804-41	TRANSISTOR	2SB1122-S	R6044	1-216-837-11	METAL CHIP	22K 5% 1/10W
Q6009	8-729-620-07	TRANSISTOR	2SC3052EF-T1-LEF	R6045	1-249-389-11	CARBON	4.7 5% 1/4W
Δ Q6010	6-551-696-01	TRANSISTOR	ISA1235AC1TP-1EF	R6046	1-249-389-11	CARBON	4.7 5% 1/4W
Δ Q6011	8-729-620-07	TRANSISTOR	2SC3052EF-T1-LEF	R6047	1-249-405-11	CARBON	100 5% 1/4W
Δ Q6012	8-729-045-62	TRANSISTOR	2SK2158-T2B	R6048	1-208-814-91	METAL CHIP	22K 0.50% 1/10W
Δ Q6013	6-551-297-01	TRANSISTOR	2SK3568(LBS1SONY.Q	R6049	1-218-830-11	METAL CHIP	200 0.50% 1/10W
Δ Q6014	6-551-297-01	TRANSISTOR	2SK3568(LBS1SONY.Q	R6050	1-218-830-11	METAL CHIP	200 0.50% 1/10W
Δ Q6015	8-729-120-28	TRANSISTOR	2SC1623-L5L6	R6051	1-218-830-11	METAL CHIP	200 0.50% 1/10W
Q6016	6-551-696-01	TRANSISTOR	ISA1235AC1TP-1EF	R6052	1-218-830-11	METAL CHIP	200 0.50% 1/10W
Q6017	8-729-620-07	TRANSISTOR	2SC3052EF-T1-LEF	R6055	1-208-818-11	METAL CHIP	33K 0.50% 1/10W
				R6056	1-216-833-11	METAL CHIP	10K 5% 1/10W
				R6057	1-216-833-11	METAL CHIP	10K 5% 1/10W
				R6058	1-218-907-11	METAL CHIP	330K 0.50% 1/10W
				R6059	1-218-879-11	METAL CHIP	22K 0.50% 1/10W

G5M HL1 HL5 UM

REF. NO.	ART NO.	DESCRIPTION	VALUES		
TRANSFORMER					
T6000	1-443-984-21	CONVERTER TRANSFORMER (SBT)			
VARISTOR					
VD6000	1-804-996-21	VARISTOR			
VD6001	1-804-996-21	VARISTOR			
HL1					
*	A-1540-623-A	HL1 BOARD, MOUNTED			
CONNECTOR					
CN101	1-821-980-11	HEADER ASSEMBL FOR PWB			
RESISTOR					
R101	1-218-827-11	METAL CHIP	150	0.50%	1/10W
R102	1-218-831-11	METAL CHIP	220	0.50%	1/10W
R103	1-218-835-11	METAL CHIP	330	0.50%	1/10W
R104	1-218-841-11	METAL CHIP	560	0.50%	1/10W
R105	1-218-848-11	METAL CHIP	1.1K	0.50%	1/10W
R107	1-216-864-11	SHORT CHIP			
SWITCH					
S101	1-572-595-11	SWITCH, TACTILE (REFLOW TYPE)			
S102	1-572-595-11	SWITCH, TACTILE (REFLOW TYPE)			
S103	1-572-595-11	SWITCH, TACTILE (REFLOW TYPE)			
S104	1-572-595-11	SWITCH, TACTILE (REFLOW TYPE)			
S105	1-572-595-11	SWITCH, TACTILE (REFLOW TYPE)			
S106	1-572-595-11	SWITCH, TACTILE (REFLOW TYPE)			
S107	1-572-595-11	SWITCH, TACTILE (REFLOW TYPE)			
HL5					
*	A-1540-624-A	HL5 BOARD, MOUNTED			
CAPACITOR					
C320	1-112-781-11	CERAMIC CHIP	1µF	10%	10V
C322	1-107-826-11	CERAMIC CHIP	0.1µF	10%	16V
C323	1-126-205-11	ELECT CHIP	47µF	20%	6.3V
C401	1-162-960-11	CERAMIC CHIP	220pF	10%	50V
C402	1-100-909-11	CERAMIC CHIP	10µF	10%	6.3V
CONNECTOR					
CN101	1-821-980-11	HEADER ASSEMBL FOR PWB			
*	CN301	1-820-287-11	HEADER ASSEMBLY (PRINT PWB)		

REF. NO.	ART NO.	DESCRIPTION	VALUES		
DIODE					
D305	8-719-085-26	DIODE	CL-165HR/SYG-D-T		
D308	8-719-053-07	DIODE	SML-310MTT86		
D321	6-500-817-01	DIODE	(LED) SML-512UWT86		
D322	8-719-036-94	DIODE	RD5.6SB-T1		
IC					
IC401	6-600-681-01	IC	RS-770N		
TRANSISTOR					
Q303	8-729-028-96	TRANSISTOR	DTC114EUA-T106		
Q304	8-729-028-96	TRANSISTOR	DTC114EUA-T106		
Q305	8-729-028-96	TRANSISTOR	DTC114EUA-T106		
Q320	6-551-699-01	TRANSISTOR	ISA1602AM1TP-1EF		
Q321	8-729-028-96	TRANSISTOR	DTC114EUA-T106		
Q322	8-729-028-96	TRANSISTOR	DTC114EUA-T106		
RESISTOR					
R303	1-216-815-11	METAL CHIP	330	5%	1/10W
R304	1-216-819-11	METAL CHIP	680	5%	1/10W
R305	1-216-815-11	METAL CHIP	330	5%	1/10W
R321	1-216-839-11	METAL CHIP	33K	5%	1/10W
R322	1-216-821-11	METAL CHIP	1K	5%	1/10W
R323	1-216-833-11	METAL CHIP	10K	5%	1/10W
R325	1-216-864-11	SHORT CHIP			
R326	1-216-847-11	METAL CHIP	150K	5%	1/10W
R328	1-216-823-11	METAL CHIP	1.5K	5%	1/10W
R329	1-216-819-11	METAL CHIP	680	5%	1/10W
R330	1-216-821-11	METAL CHIP	1K	5%	1/10W
R401	1-216-817-11	METAL CHIP	470	5%	1/10W
R402	1-216-805-11	METAL CHIP	47	5%	1/10W
UM					
	A-1268-473-A	UM BOARD, MOUNTED			
CAPACITOR					
C203	1-216-864-11	SHORT CHIP			
C206	1-100-912-11	CERAMIC CHIP	1µF	10%	25V
C209	1-100-912-11	CERAMIC CHIP	1µF	10%	25V
C215	1-162-964-11	CERAMIC CHIP	0.001µF	10%	50V
CONNECTOR					
*	CN201	1-819-928-11	HEADER ASSEMBLY	20P	
	CN202	1-695-915-11	TAB (CONTACT)		



REF. NO.	ART NO.	DESCRIPTION	VALUES	REF. NO.	ART NO.	DESCRIPTION	VALUES
<u>DIODE</u>				*	4-104-305-01	CUSHION, UPPER (KLV-32L400A ONLY)	
D204	6-501-758-01	DIODE	MAZ8100GOLS0	*	4-104-308-01	CUSHION, UPPER (KLV-37L400A ONLY)	
<u>JACK</u>							
J201	1-819-356-21	PHONO JACK	3P	3-297-501-41		GUIDE, QUICK SETUP	
J202	1-815-325-11	JACK		4-000-703-41		MANUAL, INSTRUCTION	
<u>RESISTOR</u>					2-593-320-02	SCREW, CION (M6X18) (KLV-32L400A ONLY)	
R211	1-216-864-11	SHORT CHIP		2-580-663-02		SCREW, WOOD 3.8X20 (KLV-32L400A ONLY)	
R212	1-216-857-11	METAL CHIP	1M 5% 1/10W	<u>MISCELLANEOUS</u>			
R213	1-216-825-11	METAL CHIP	2.2K 5% 1/10W	2-595-155-03		CLAMP	
R215	1-216-857-11	METAL CHIP	1M 5% 1/10W	2-580-608-01		SCREW, +PSW M5X16 (SCREWS TO ATTACH TABLE-TOP STAND TO TV)	
R216	1-216-825-11	METAL CHIP	2.2K 5% 1/10W	For product protection and safety reasons, Sony strongly recommends that you use the screws provided with the TV.			
R218	1-216-864-11	SHORT CHIP		2-674-965-51		SCREW, +PSW 3SG (KLV-37L400A ONLY)	
R219	1-216-864-11	SHORT CHIP		2-580-626-01		SCREW, SP 4-40 UNC	
R220	1-216-864-11	SHORT CHIP		2-650-770-21		SLIDE, CLAMP	
<u>VARISTOR</u>				<u>REMOTE COMMANDER</u>			
VD201	1-804-988-21	VARISTOR, CHIP	(1608)	1-480-282-21		REMOTE COMMANDER (RM-YA008)	
VD202	1-804-988-21	VARISTOR, CHIP	(1608)	9-885-110-88		COVER, BATTERY (RM-YA008)	
VD203	1-804-988-21	VARISTOR, CHIP	(1608)				
VD204	1-804-988-21	VARISTOR, CHIP	(1608)				
VD205	1-804-988-21	VARISTOR, CHIP	(1608)				
<u>ACCESSORIES AND PACKING</u>							
	4-041-997-01	BAG, POLYETHYLENE					
*	2-678-264-01	BAG, PROTECTION (KLV-32L400A ONLY)					
*	3-289-787-01	BAG, PROTECTION (KLV-37L400A ONLY)					
*	3-213-717-01	BAG, PROTECTION (STAND) (KLV-37L400A ONLY)					
*	4-104-304-01	CARTON, INDIVIDUAL (KLV-32L400A ONLY)					
*	4-104-307-01	CARTON, INDIVIDUAL (KLV-37L400A ONLY)					
*	4-104-306-01	CUSHION, LOWER (KLV-32L400A ONLY)					
*	4-104-309-01	CUSHION, LOWER (KLV-37L400A ONLY)					




Sony Corporation
 Sony Technology Center
 Technical Services
 Service Promotion Department

English
 2008FJ74WEB-1
 Printed in USA
 © 2008.6

APPENDIX A: ENCRYPTION KEY COMPONENTS

Encryption key components developed by Sony Corporation contain confidential information, and shall be handled under the non-disclosure obligations provided in the applicable agreement with Sony Corporation (and/or its subsidiary).

As part of this agreement specific instructions must be adhered to whenever a Circuit Board containing encryption key components is repaired and/or replaced pursuant to the following:

- 1) In the service manual the Circuit Board(s) containing encryption key components shall be identified with a **red outline and a **.
- 2) Only repair boards or components listed in the service manual shall be utilized for replacement and/or repair.
- 3) Disassembly, decryption, or reverse-engineering component(s) is strictly prohibited.
- 4) Any board in which the Servicer replaces an encryption key component must be placed back into the set it originally came from and the replaced defective component **MUST BE DESTROYED**. Boards cannot be swapped.
- 5) If a Circuit Board identified with a **red outline and a ** in the service manual is deemed to be defective:
 - a) and if a core charge is imposed and is covered under the product warranty, the defective un-repaired or modified board **MUST BE RETURNED** to Sony.
 - b) and if the core charge is **NOT** covered under the product warranty, the defective un-repaired or modified board **MUST BE DESTROYED**.
- 5) If a unit is destroyed (such as field scrap), the Circuit Board identified with a **red outline and a ** in the service manual **MUST BE DESTROYED**.