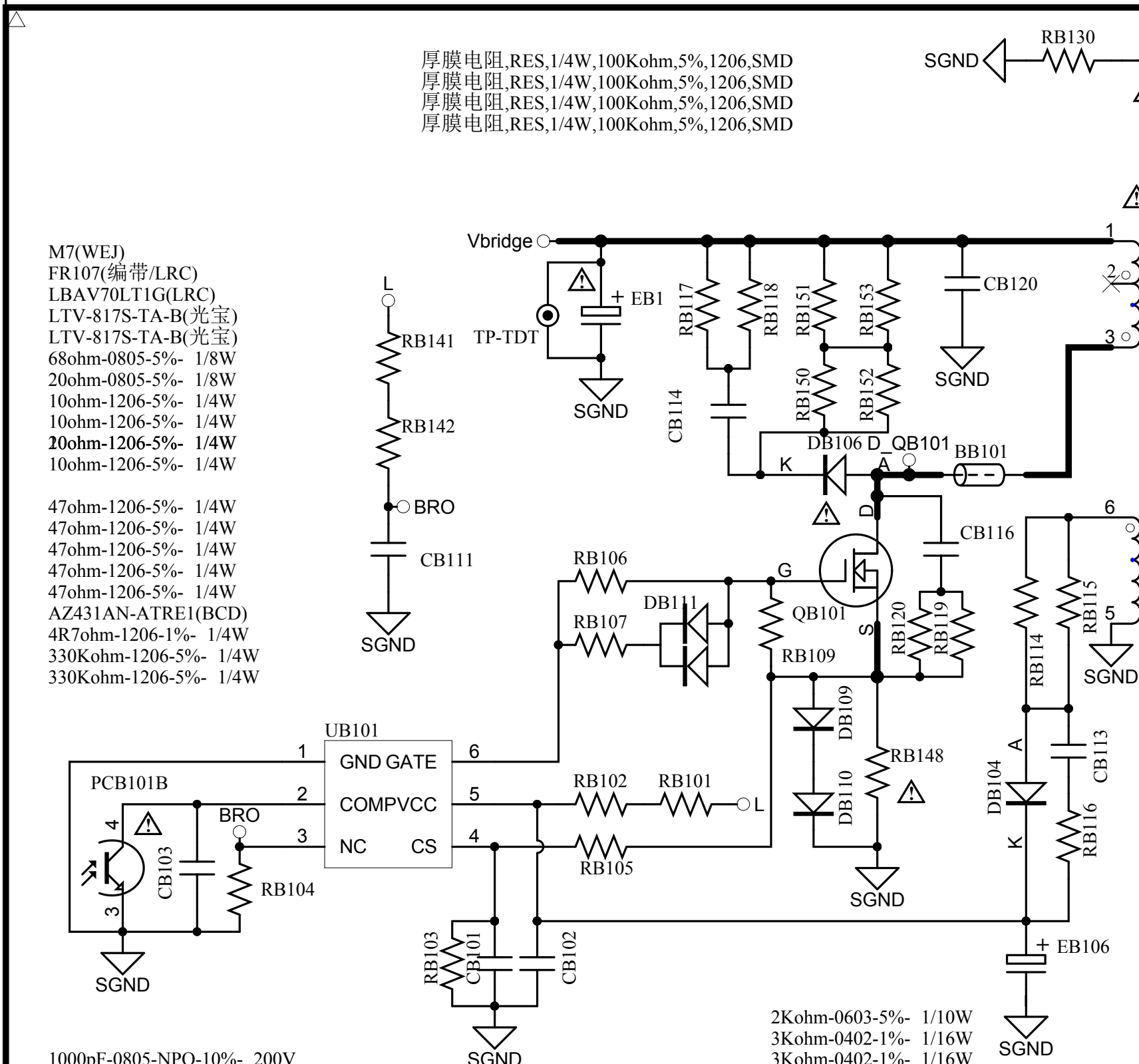


NC/SYT10-L002-JM
 NC/CBB62B2A8224KY6V610035-短脚(京莫)
 NC/压敏电阻,VARISTOR,128J,680V,4000A,S,7.5mm,10mm,DIP,Thinking

NC/共模电感,Common Choke,UC15,10.5mH,0.131.0m m,48Ts,H14.0MAX,SYUC15-1.10.5mA,DIP,UENO

SCK102R55AMB5Y502(短脚/为勤)
 X电容,CAP,X2,MP,275VAC,0.47uF,10%,S,15m m,Mini,PC,DIP,BM
 慢断保险丝,FUSE,T.P,3,15A,250VAC,8.54.08m m,DIP,TP,Walter
 Y电容,CAP,Y1,CD,470pF,400VAC,20%,KS,10m m,Y5U,DIP,Walsin
 Y电容,CAP,Y1,CD,470pF,400VAC,20%,KS,10m m,Y5U,DIP,Walsin
 连接插座,connect jack,2Pin,D7,92L,SNAP,Fool-proofing,nature,L=2.8mm,DIP,AMA
 共模电感,Common Choke,UU10.5,18mH MIN,0.351P,80Ts,H14.5MAX,SYUU10.5- L002,DIP,EDL

RL207G(编带/GOOD-ARK)
 RL207G(编带/GOOD-ARK)
 RL207G(编带/GOOD-ARK)
 RL207G(编带/GOOD-ARK)
 RL207G(编带/GOOD-ARK)
 1M20hm-1206-5%- 1/4W
 1M20hm-1206-5%- 1/4W
 1M20hm-1206-5%- 1/4W



厚膜电阻,RES,1/4W,100Kohm,5%,1206,SMD
 厚膜电阻,RES,1/4W,100Kohm,5%,1206,SMD
 厚膜电阻,RES,1/4W,100Kohm,5%,1206,SMD
 厚膜电阻,RES,1/4W,100Kohm,5%,1206,SMD

M7(WEJ)
 FR107(编带/LRC)
 LBAV70LTI(G/LRC)
 LTV-817S-TA-B(光宝)
 LTV-817S-TA-B(光宝)
 680hm-0805-5%- 1/8W
 200hm-0805-5%- 1/8W
 100hm-1206-5%- 1/4W
 100hm-1206-5%- 1/4W
 200hm-1206-5%- 1/4W
 100hm-1206-5%- 1/4W

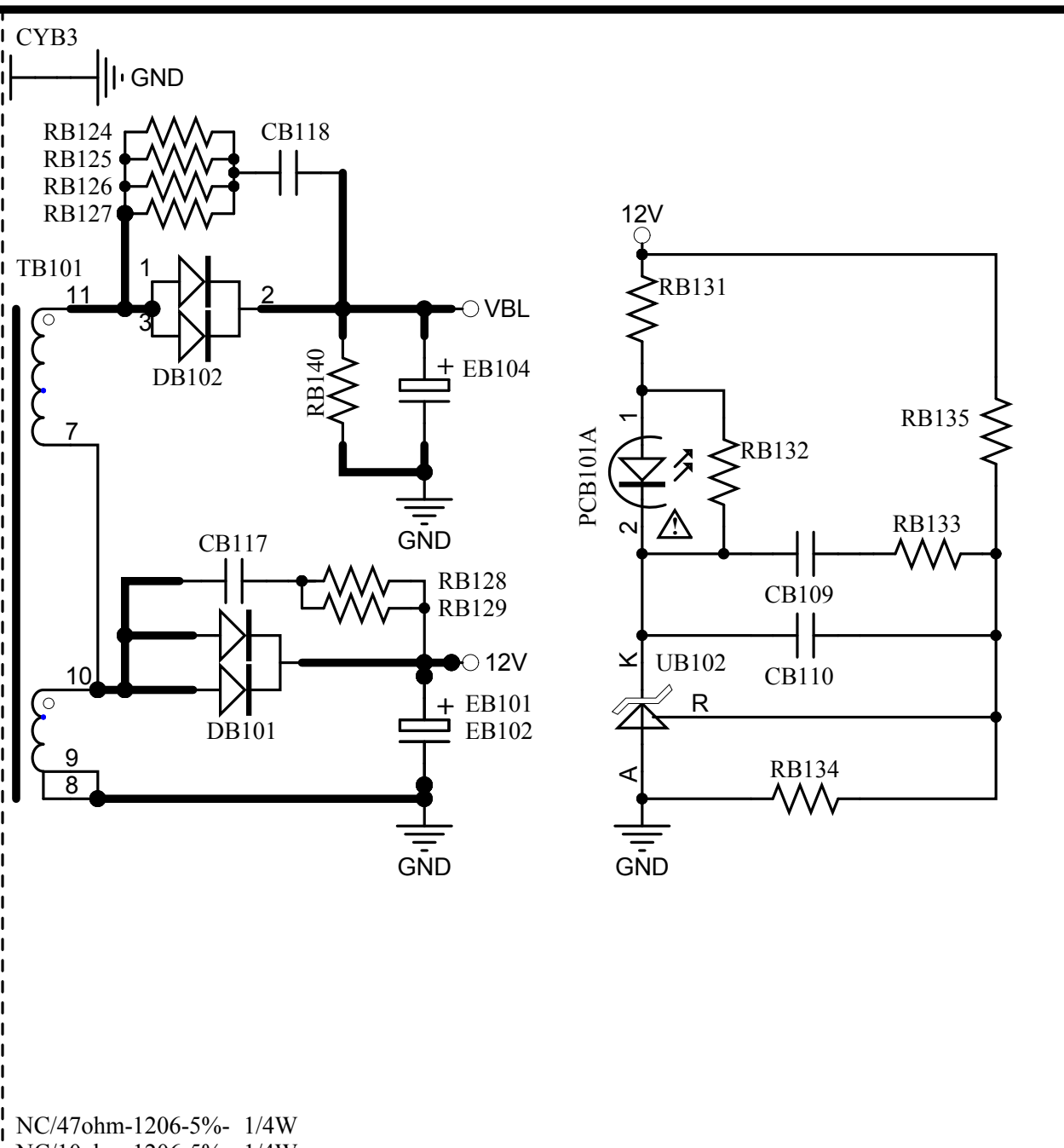
470hm-1206-5%- 1/4W
 470hm-1206-5%- 1/4W
 470hm-1206-5%- 1/4W
 470hm-1206-5%- 1/4W
 470hm-1206-5%- 1/4W
 AZ431AN-A1RE1(BCD)
 4R70hm-1206-1%- 1/4W
 330Kohm-1206-5%- 1/4W
 330Kohm-1206-5%- 1/4W

1000pF-0805-NPO-10%- 200V
 C242G472J20A201(编带/法拉)
 03.56.00.65m m-CP(编带/秀益达)
 MOF-0R270hm-5%- 2WS(编带/Futaba)
 10uF-50V-20%- S11- 105°C-GH-编带-F=2.5(CapXon)
 470uF-25V-20%- 1012.5- 105°C-GF-编带-F=5.0(CapXon)
 陶瓷电容,CAP,CD,1KV,100pF,10%,SL P,5.0mm,DIP,TP,SHM
 陶瓷电容,CAP,CD,1KV,100pF,10%,SL P,5.0mm,DIP,TP,SHM
 整流二极管,DIO,FRD,S,1.2A,800V,eSGA,SMD,R12K,GOOD-ARK
 整流二极管,DIO,FRD,S,1.2A,800V,eSGA,SMD,R12K,GOOD-ARK
 Y电容,CAP,Y1,CD,470pF,400VAC,20%,KS,10m m,Y5U,DIP,Walsin
 PWM控制器,IC,PWM Controller,65KHZ,SOT23-6,SMD,OB22732C,ON-Bright

2Kohm-0603-5%- 1/10W
 3Kohm-0402-1%- 1/16W
 3Kohm-0402-1%- 1/16W
 510ohm-0402-1%- 1/16W
 4K70hm-0402-1%- 1/16W
 18Kohm-0402-1%- 1/16W
 10Kohm-0402-1%- 1/16W
 47Kohm-0402-1%- 1/16W
 10Kohm-0402-1%- 1/16W
 100pF-0402-NPO-5%- 50V
 0.1uF-0603-X7R-10%- 50V
 0.1uF-0603-X7R-10%- 50V
 1000pF-0402-X7R-10%- 50V

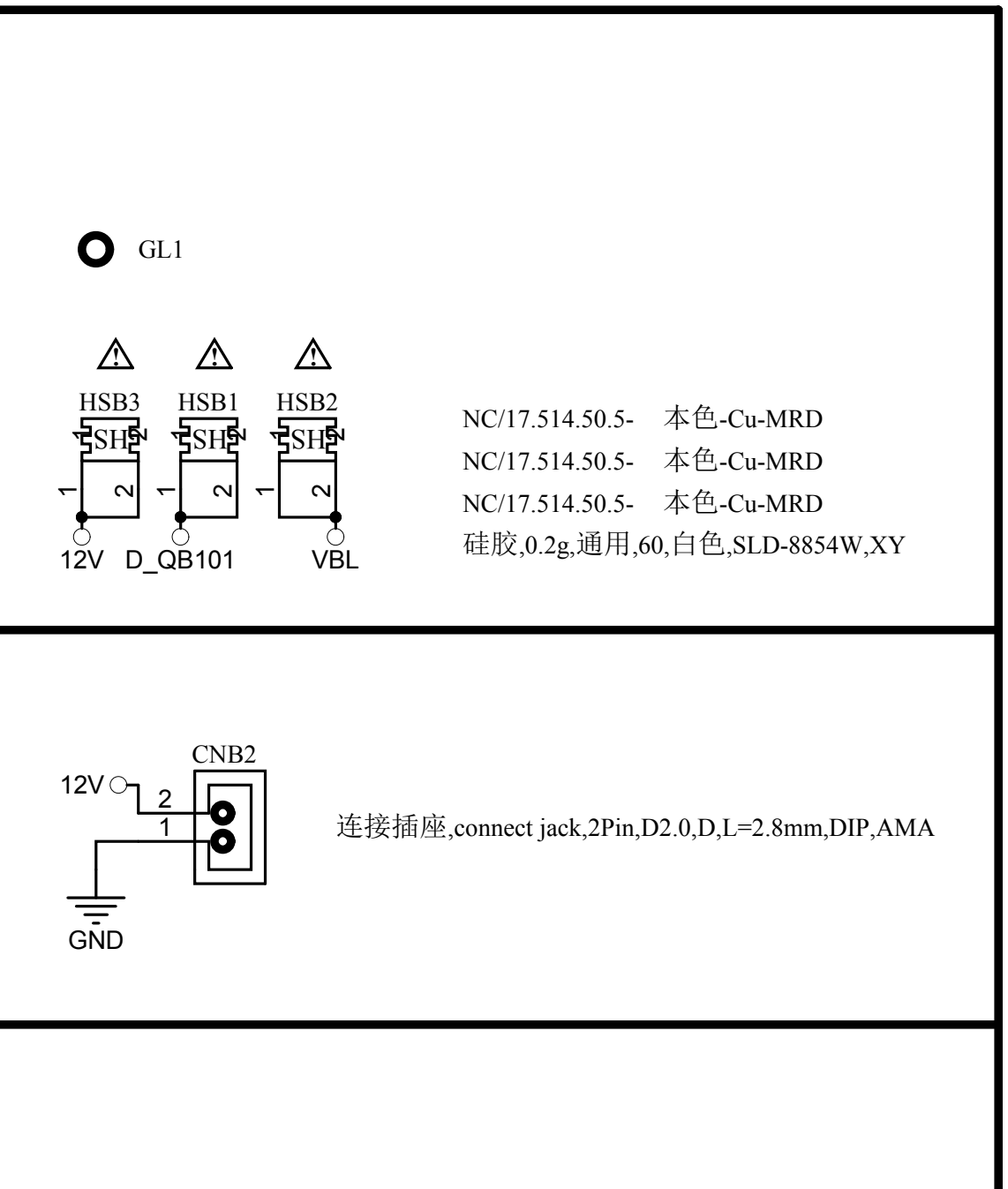
NC/470hm-1206-5%- 1/4W
 NC/100hm-1206-5%- 1/4W
 NC/2Mohm-1206-5%- 1/4W
 NC/2Mohm-1206-5%- 1/4W
 NC/1uF-0805-X7R-10%- 25V
 NC/4R70hm-1206-5%- 1/4W
 NC/1000pF-0402-X7R-10%- 50V
 NC/220pF-0805-NPO-10%- 200V
 NC/270uF-16V-20%- 811.5- 105°C-PS-短脚-F=3.5(Capxon)
 NC/陶瓷电容,CAP,CD,1KV,4700pF,20%,Y5U,P,5.0m m,DIP,TP,TongHao

51Kohm-0805-1%- 1/8W
 MBRB10200CT(GOOD-ARK)
 MBRB10150CT(GOOD-ARK)
 DCH102K30YRN6FL5AW(编带/SHM)
 330uF-35V-20%- 1012.5- 105°C-GF-编带-F=5.0(Capxon)
 铝电解电容,CAP,AL,450V,68uF,20%,KM,BK,7.5m m,1831.5,DI P,CapXon
 变压器,Transformer,EQ2612,450uH,0.262P,35Ts,H14.5MAX,SYEQ2612- T002,DIP,CH
 场效应管,NMOS,S,2,650V,1.02ohm@ID=2.6A@VGS=10V,DPAK,TK5P65W,TOSHIBA



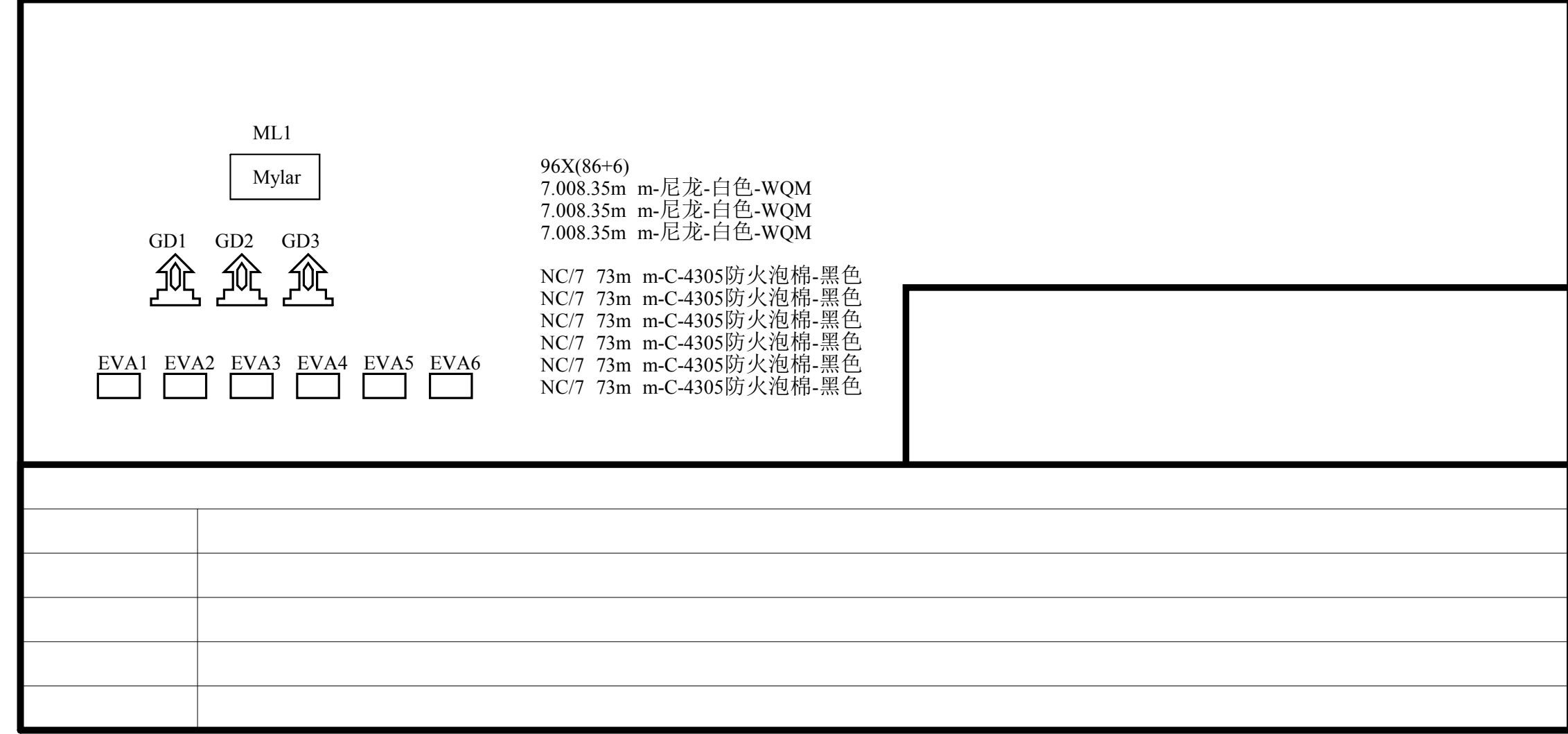
NC/470hm-1206-5%- 1/4W
 NC/100hm-1206-5%- 1/4W
 NC/2Mohm-1206-5%- 1/4W
 NC/2Mohm-1206-5%- 1/4W
 NC/1uF-0805-X7R-10%- 25V
 NC/4R70hm-1206-5%- 1/4W
 NC/1000pF-0402-X7R-10%- 50V
 NC/220pF-0805-NPO-10%- 200V
 NC/270uF-16V-20%- 811.5- 105°C-PS-短脚-F=3.5(Capxon)
 NC/陶瓷电容,CAP,CD,1KV,4700pF,20%,Y5U,P,5.0m m,DIP,TP,TongHao

51Kohm-0805-1%- 1/8W
 MBRB10200CT(GOOD-ARK)
 MBRB10150CT(GOOD-ARK)
 DCH102K30YRN6FL5AW(编带/SHM)
 330uF-35V-20%- 1012.5- 105°C-GF-编带-F=5.0(Capxon)
 铝电解电容,CAP,AL,450V,68uF,20%,KM,BK,7.5m m,1831.5,DI P,CapXon
 变压器,Transformer,EQ2612,450uH,0.262P,35Ts,H14.5MAX,SYEQ2612- T002,DIP,CH
 场效应管,NMOS,S,2,650V,1.02ohm@ID=2.6A@VGS=10V,DPAK,TK5P65W,TOSHIBA



NC/17.514.50.5- 本色-Cu-MRD
 NC/17.514.50.5- 本色-Cu-MRD
 NC/17.514.50.5- 本色-Cu-MRD
 硅胶,0.2g,通用,60,白色,SLD-8854W,XY

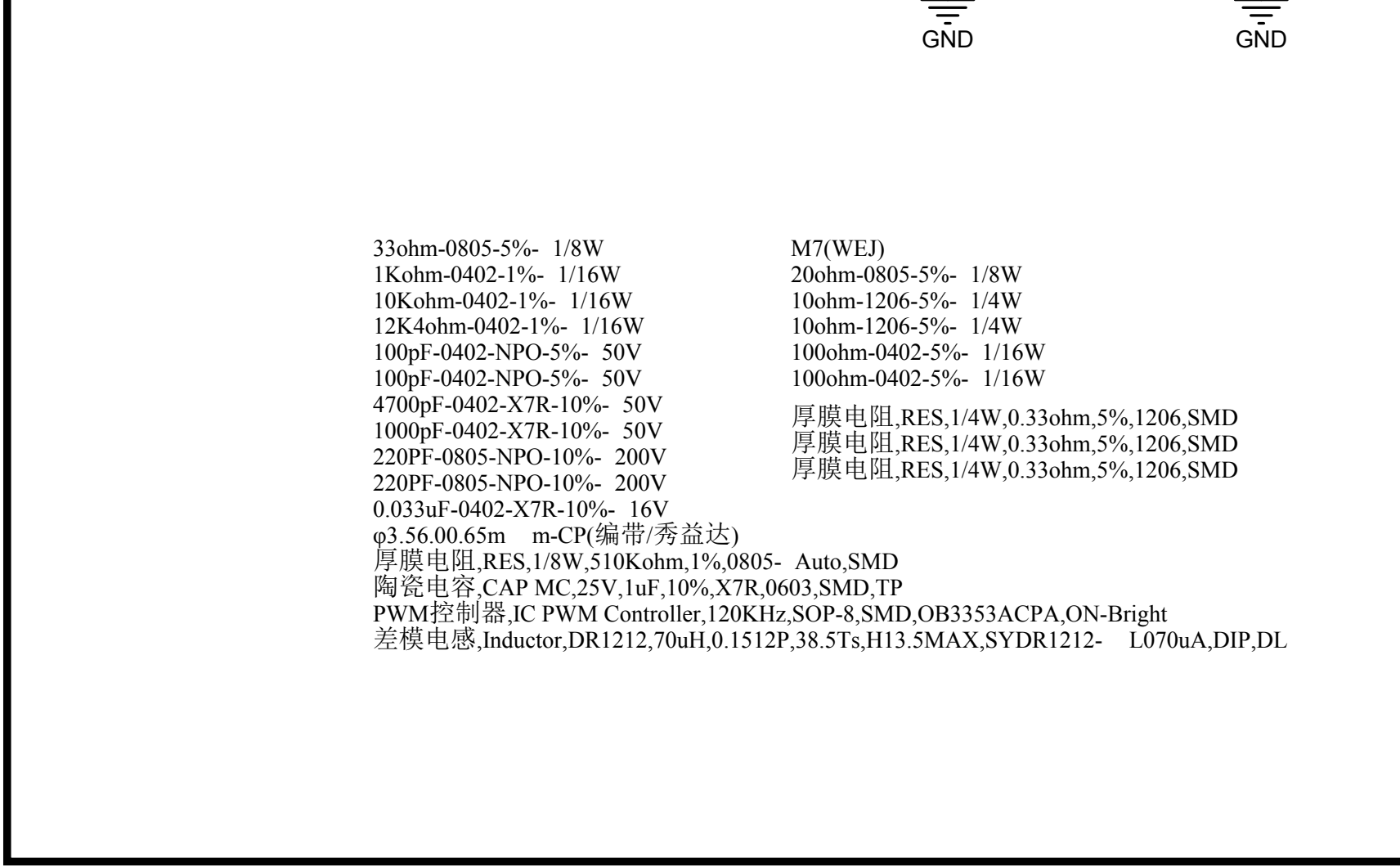
连接插座,connect jack,2Pin,D2.0,D,L=2.8mm,DIP,AMA



ML1
 Mylar
 96X(86-6)
 7.008.35m m-尼龙-白色-WQM
 7.008.35m m-尼龙-白色-WQM
 7.008.35m m-尼龙-白色-WQM

NC/7 73m m-C-4305防火泡棉-黑色
 NC/7 73m m-C-4305防火泡棉-黑色
 NC/7 73m m-C-4305防火泡棉-黑色
 NC/7 73m m-C-4305防火泡棉-黑色
 NC/7 73m m-C-4305防火泡棉-黑色
 NC/7 73m m-C-4305防火泡棉-黑色

EVA1 EVA2 EVA3 EVA4 EVA5 EVA6



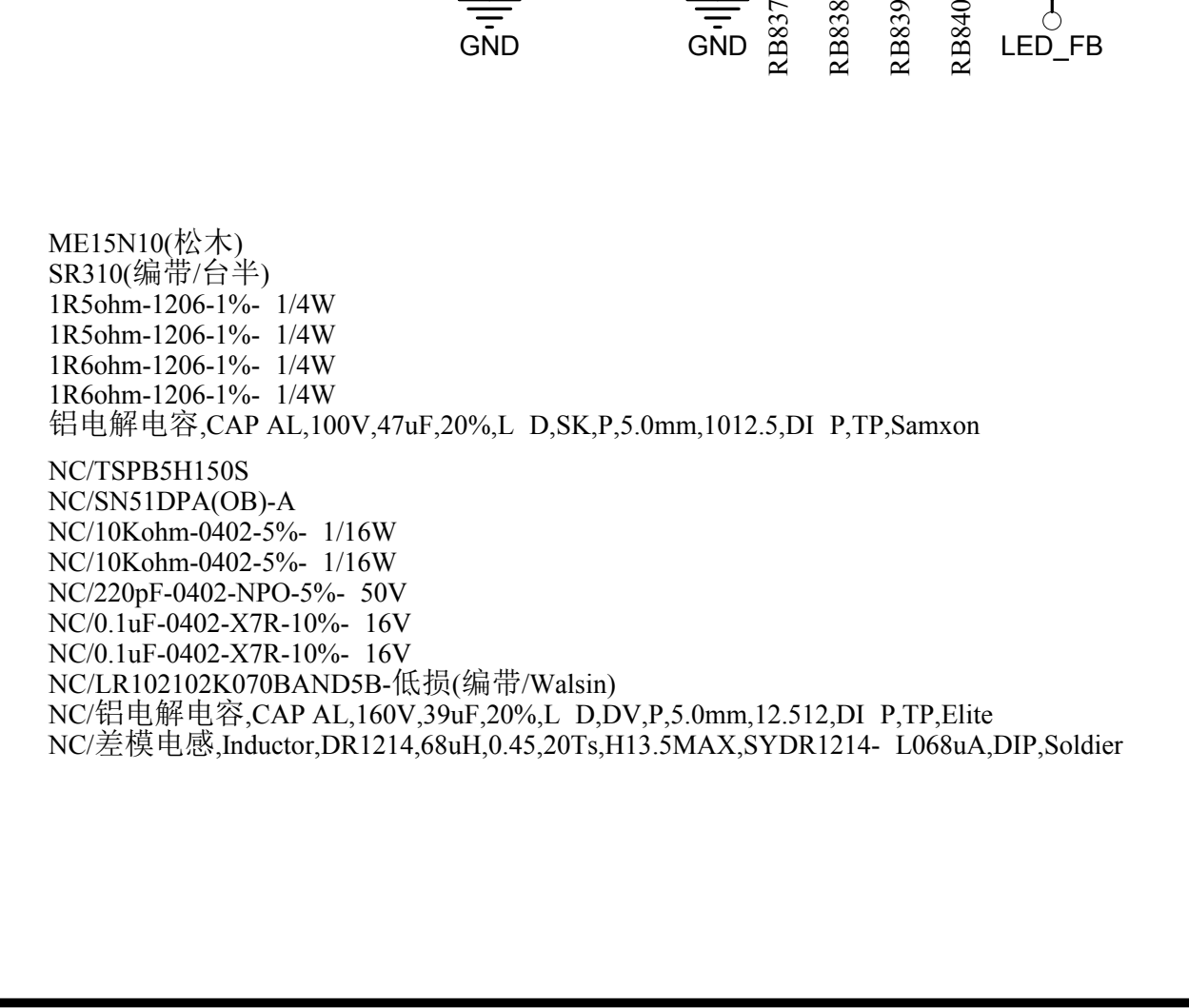
33ohm-0805-5%- 1/8W
 1Kohm-0402-1%- 1/16W
 10Kohm-0402-1%- 1/16W
 12K4ohm-0402-1%- 1/16W
 100pF-0402-NPO-5%- 50V
 100pF-0402-NPO-5%- 50V
 4700pF-0402-X7R-10%- 50V
 1000pF-0402-X7R-10%- 50V
 220PF-0805-NPO-10%- 200V
 220PF-0805-NPO-10%- 200V
 0.033uF-0402-X7R-10%- 16V
 03.56.00.65m m-CP(编带/秀益达)
 厚膜电阻,RES,1/8W,510Kohm,1%,0805- Auto,SMD
 陶瓷电容,CAP,MC,25V,1uF,10%,X7R,0603,SMD,TP
 PWM控制器,IC,PWM Controller,120KHz,SOP-8,SMD,OB3353ACPA,ON-Bright
 差模电感,Inductor,DR1212,70uH,0.1512P,38.5Ts,H13.5MAX,SYDR1212- L070uA,DIP,DL

M7(WEJ)
 20hm-0805-5%- 1/8W
 100hm-1206-5%- 1/4W
 100hm-1206-5%- 1/4W
 100hm-1206-5%- 1/4W
 100hm-0402-5%- 1/16W
 100hm-0402-5%- 1/16W

厚膜电阻,RES,1/4W,0.33ohm,5%,1206,SMD
 厚膜电阻,RES,1/4W,0.33ohm,5%,1206,SMD
 厚膜电阻,RES,1/4W,0.33ohm,5%,1206,SMD

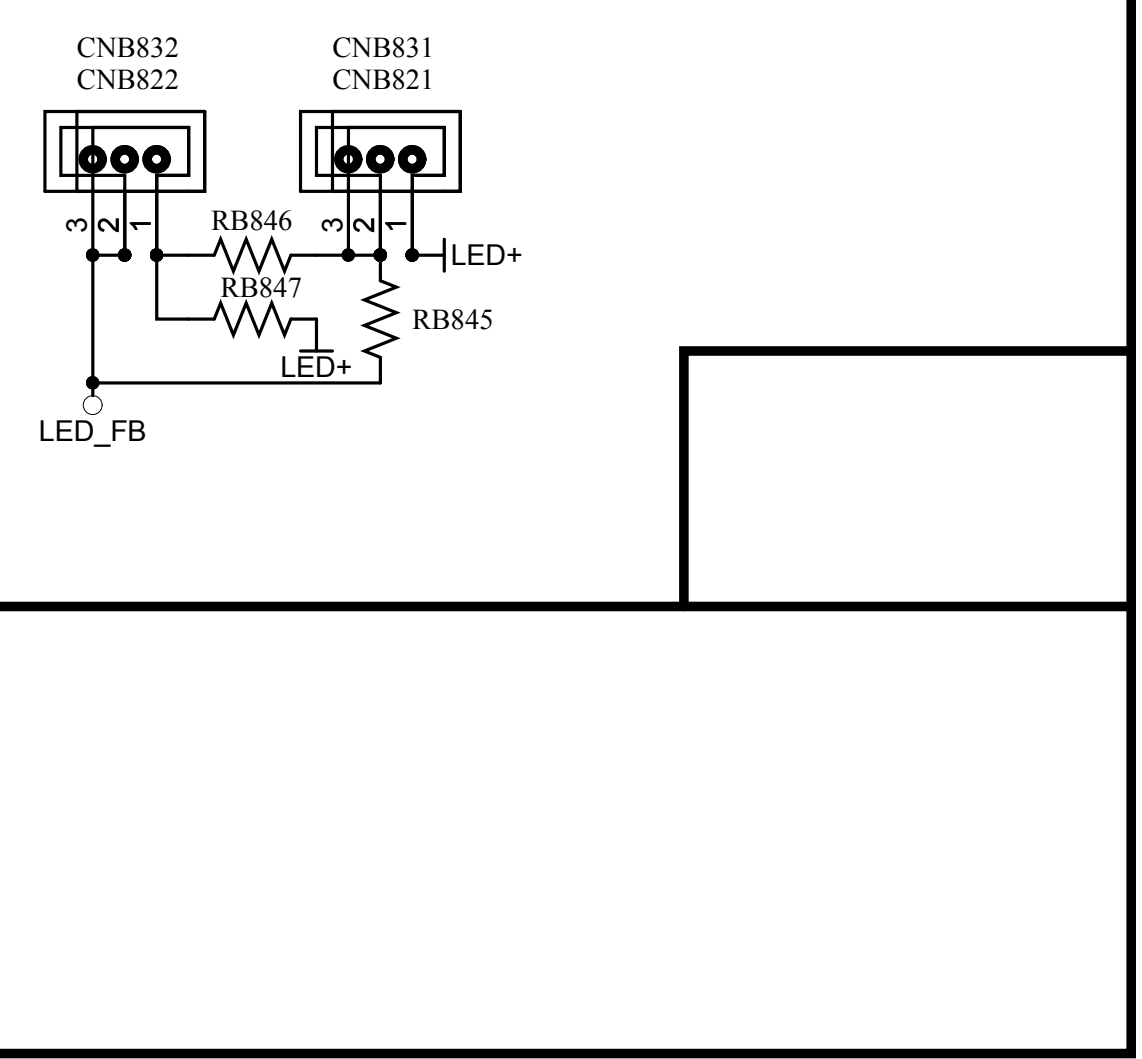
ME1S10(松木)
 SR310(编带/台半)
 1R5ohm-1206-1%- 1/4W
 1R5ohm-1206-1%- 1/4W
 1R6ohm-1206-1%- 1/4W
 1R6ohm-1206-1%- 1/4W
 1R6ohm-1206-1%- 1/4W
 铝电解电容,CAP,AL,100V,47uF,20%,L D,SK,P,5.0mm,1012.5,DI P,TP,Samxon

NC/TSPB5H150S
 NC/SNS1DPA(OB)-A
 NC/10Kohm-0402-5%- 1/16W
 NC/10Kohm-0402-5%- 1/16W
 NC/220pF-0402-NPO-5%- 50V
 NC/0.1uF-0402-X7R-10%- 16V
 NC/0.1uF-0402-X7R-10%- 16V
 NC/LR102102K070BANDSB-低损(编带/Walsin)
 NC/铝电解电容,CAP,AL,160V,39uF,20%,L D,DV,P,5.0mm,12.512,DI P,TP,Elite
 NC/差模电感,Inductor,DR1214,68uH,0.45,20Ts,H13.5MAX,SYDR1214- L068uA,DIP,Soldier



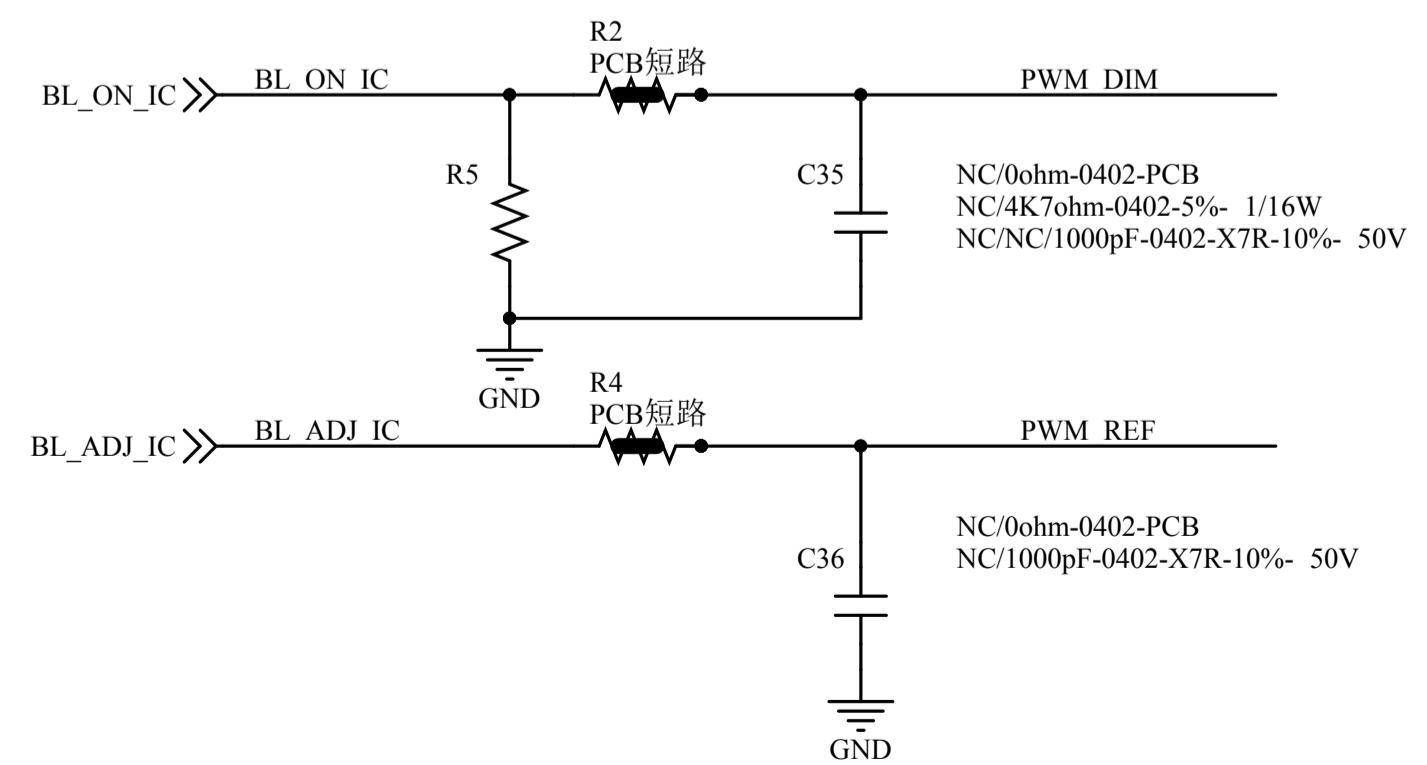
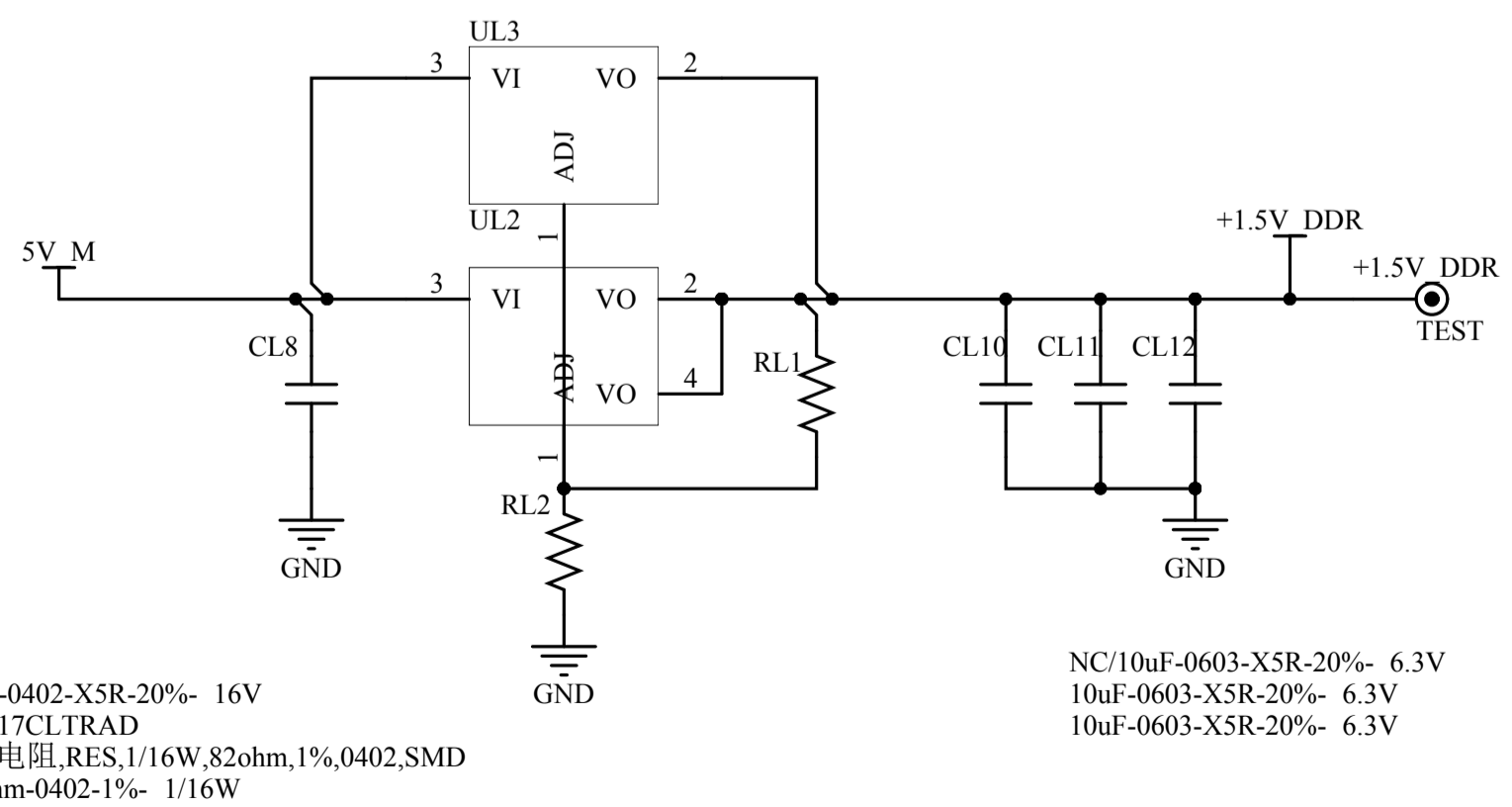
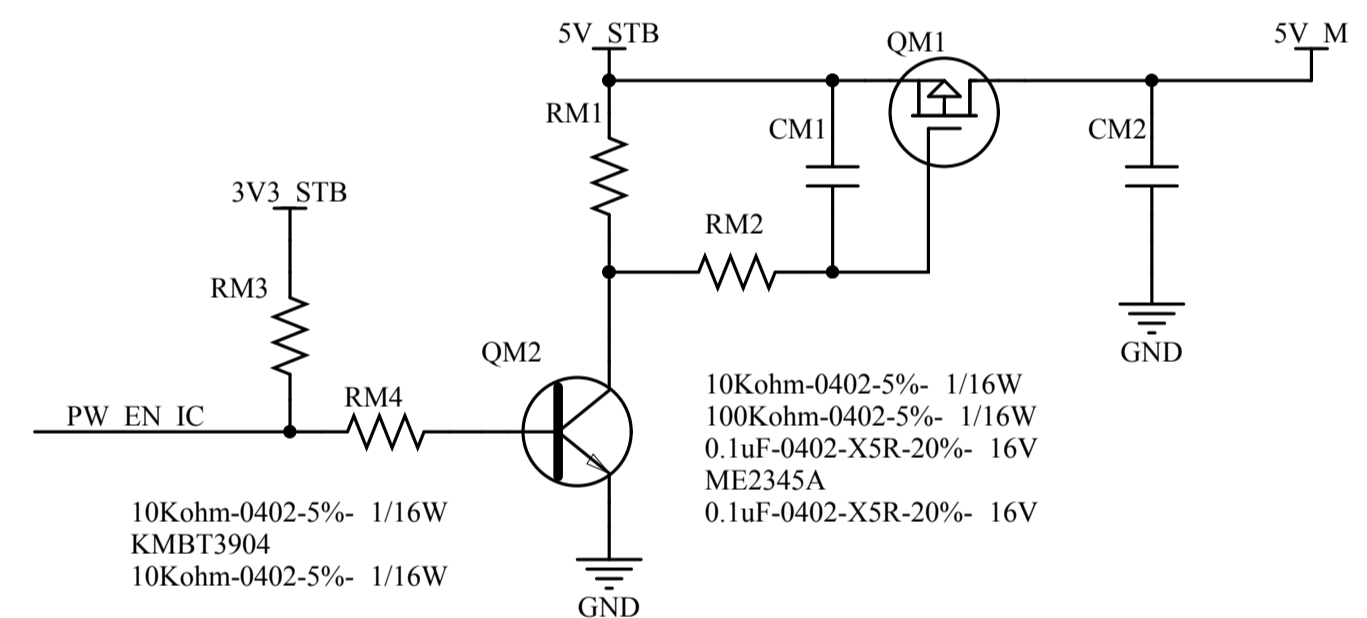
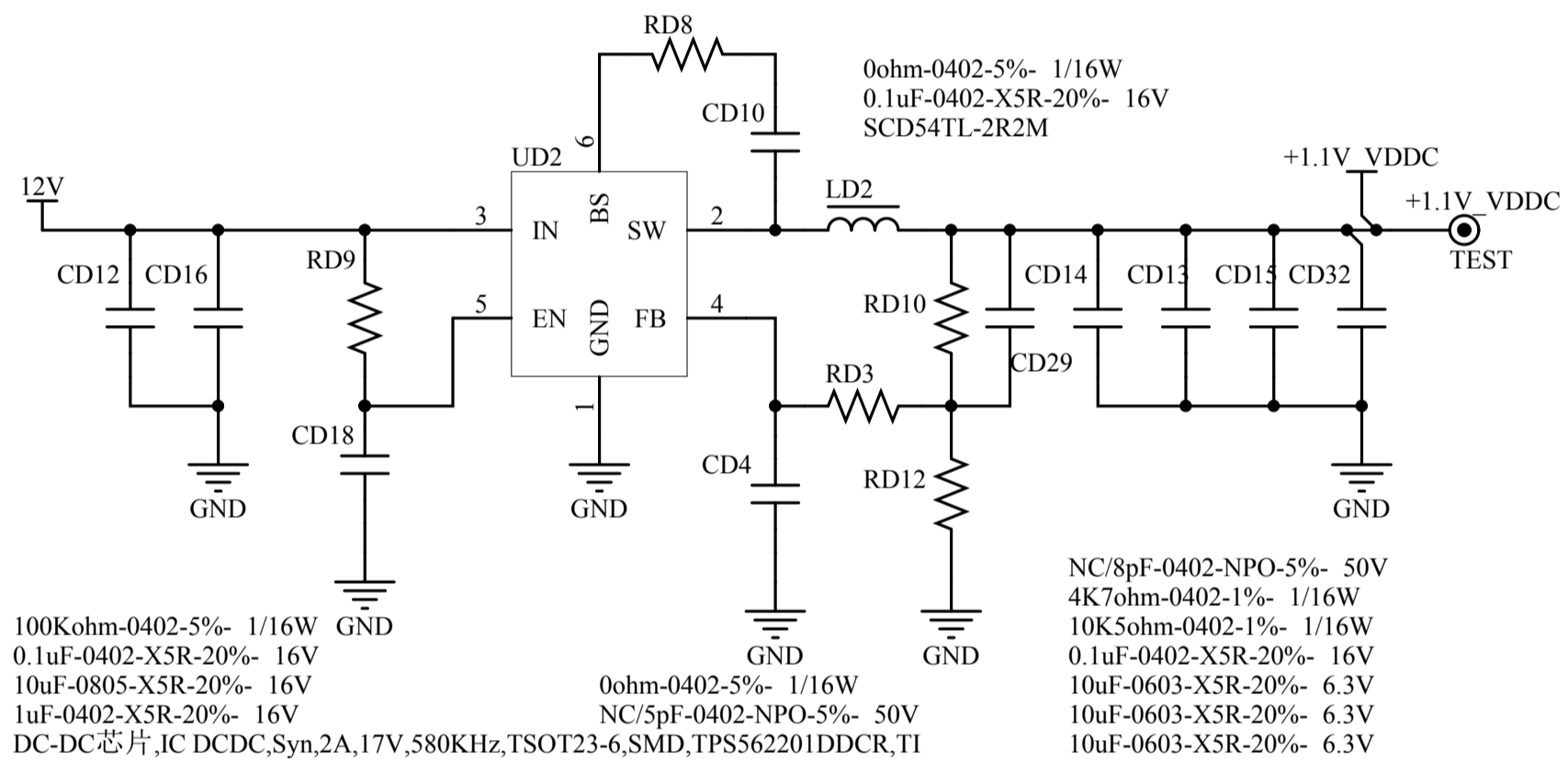
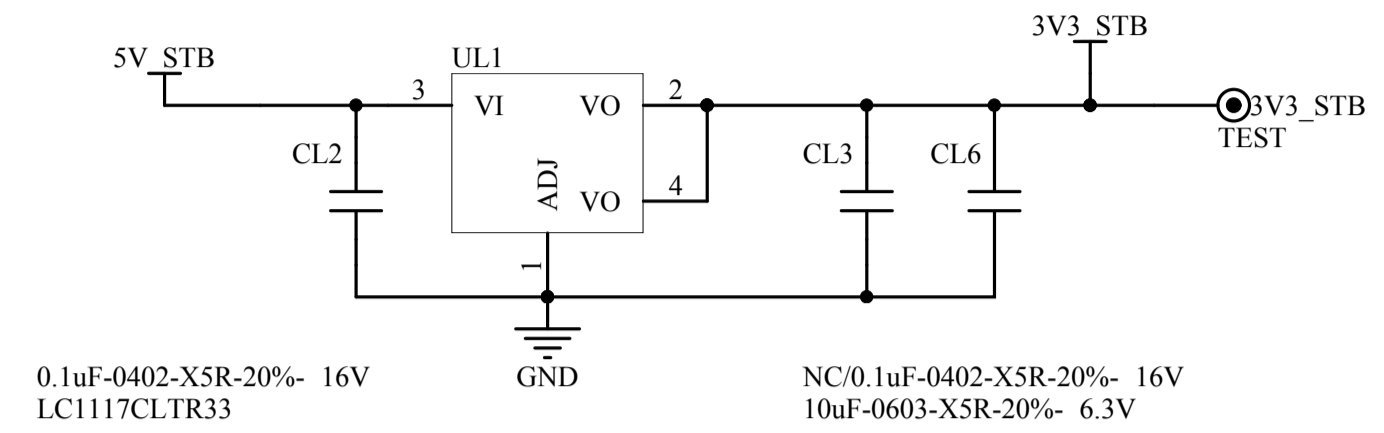
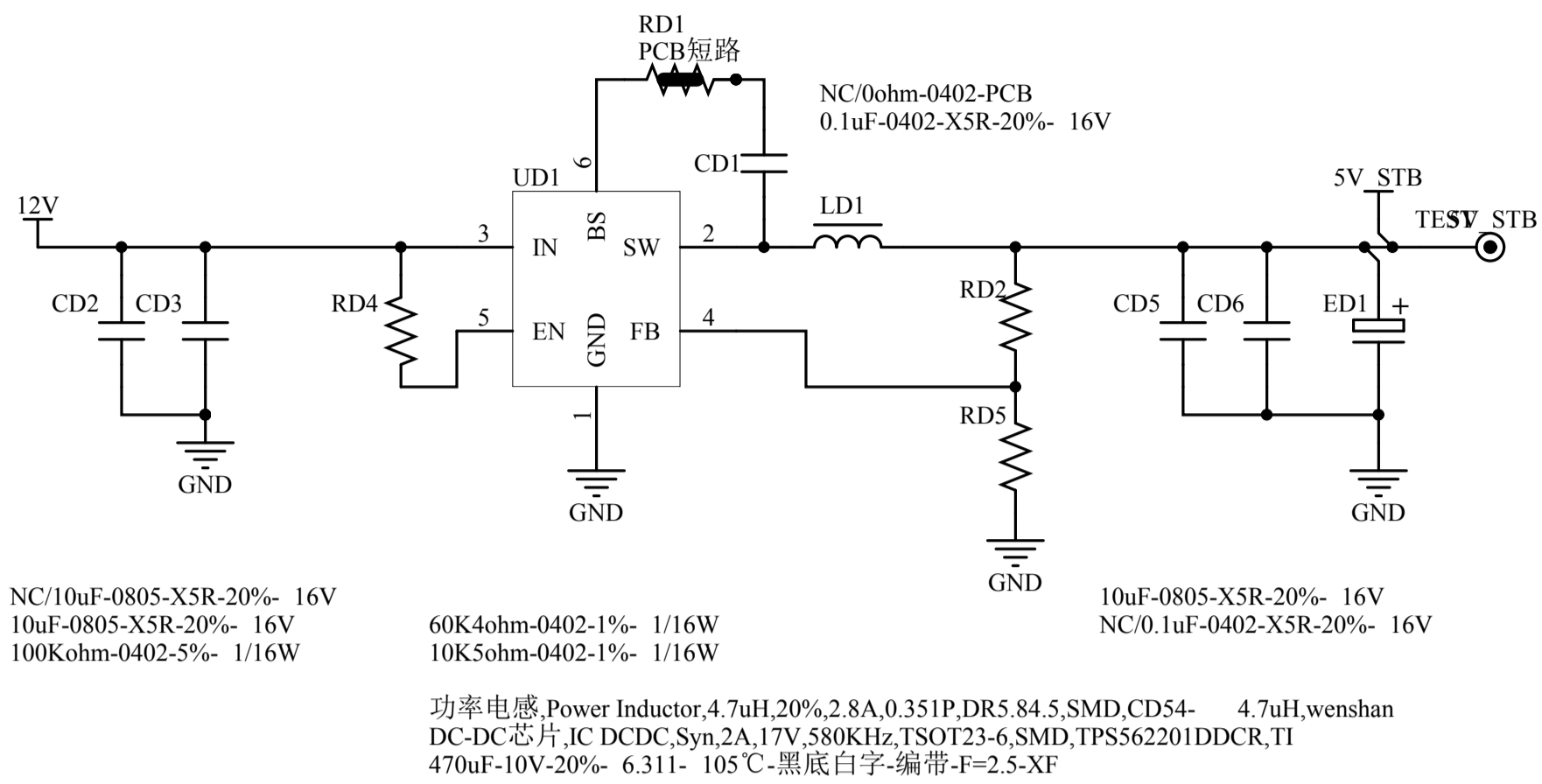
NC/17.514.50.5- 本色-Cu-MRD

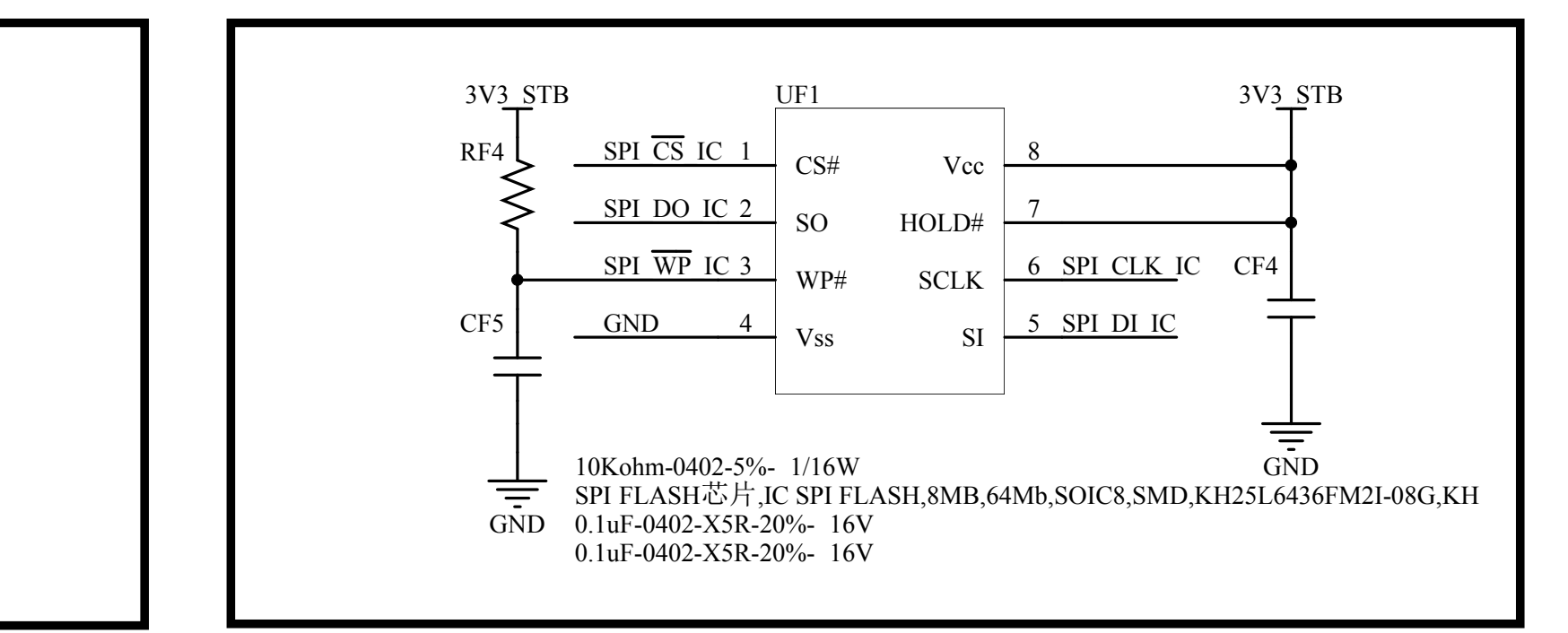
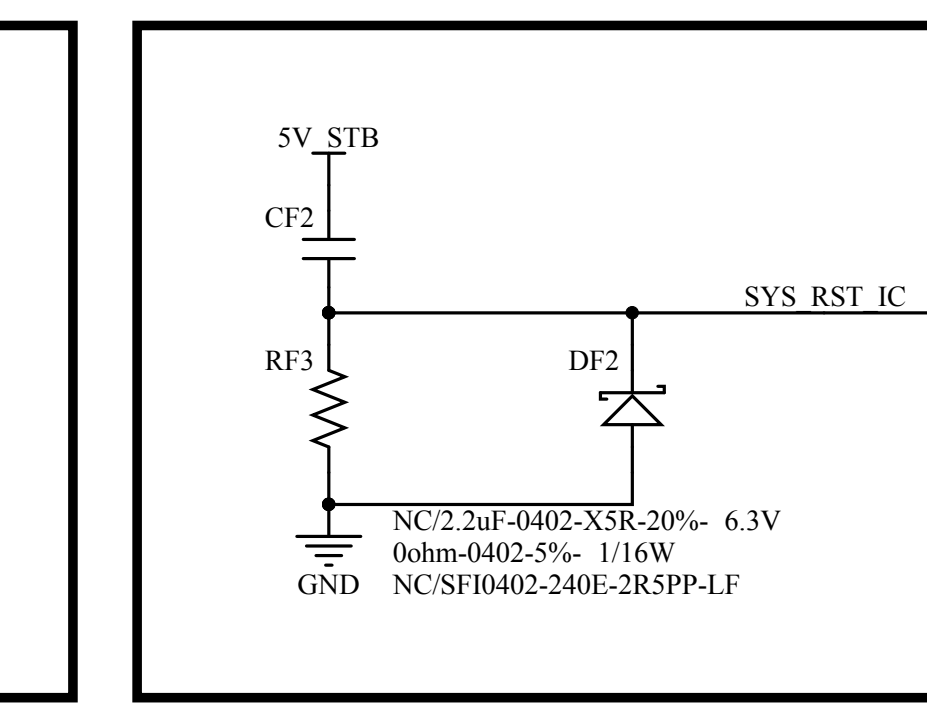
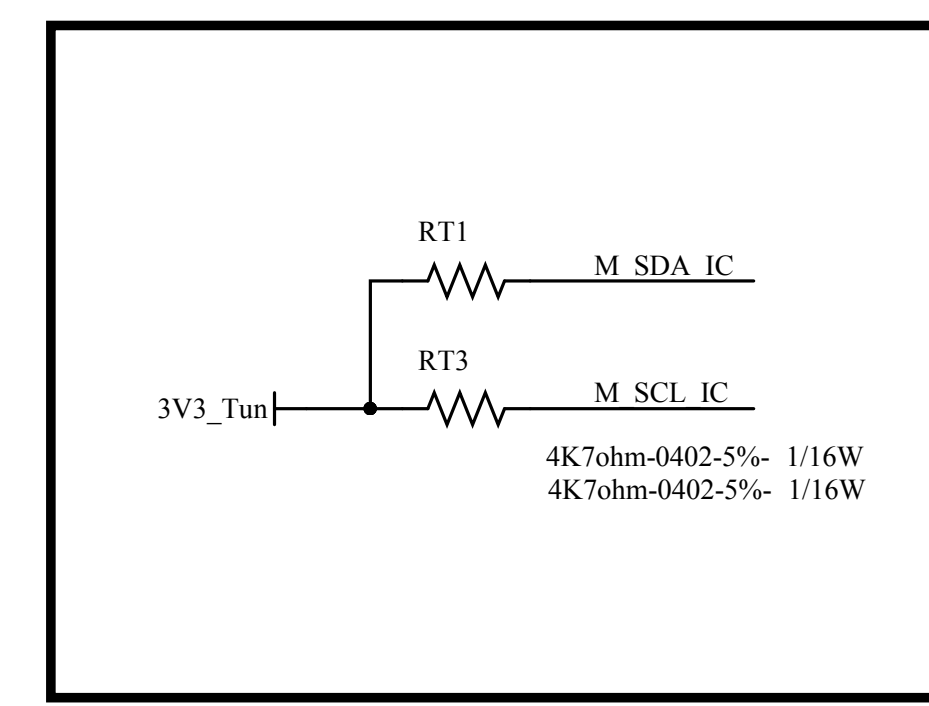
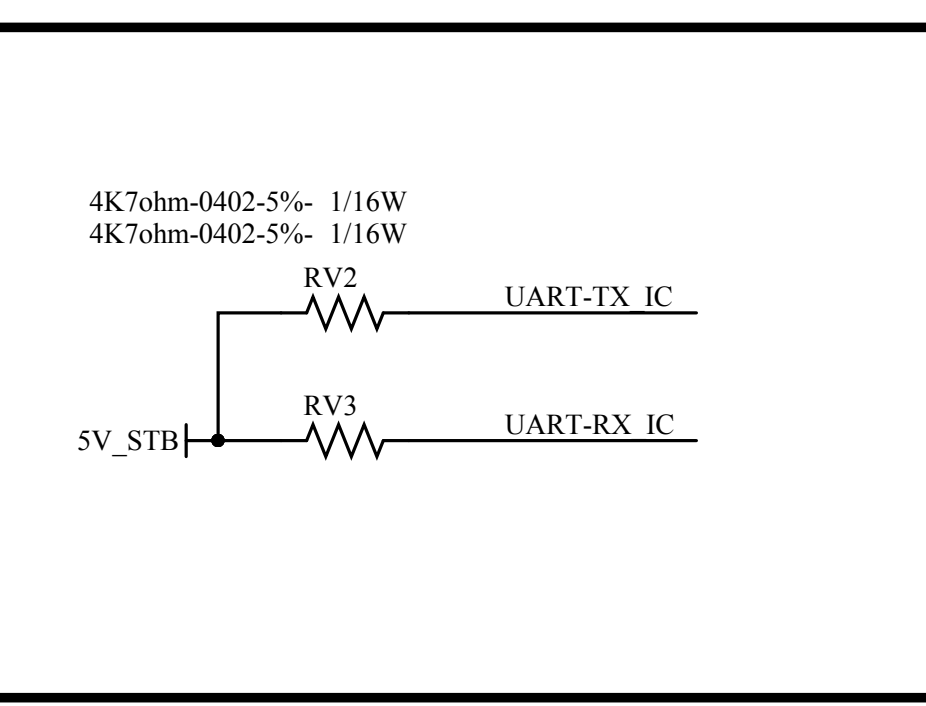
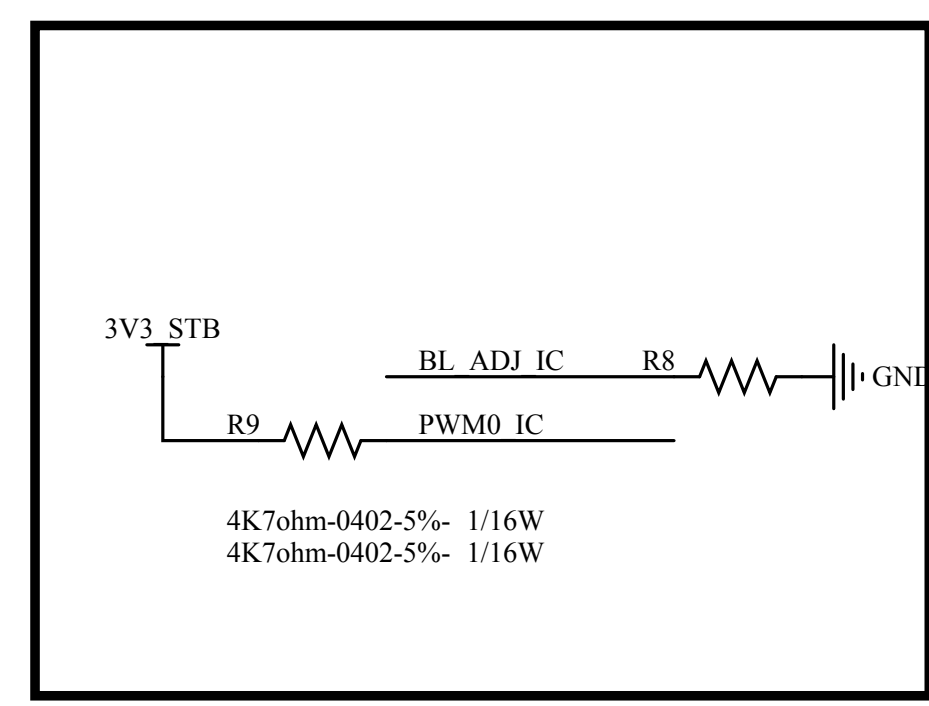
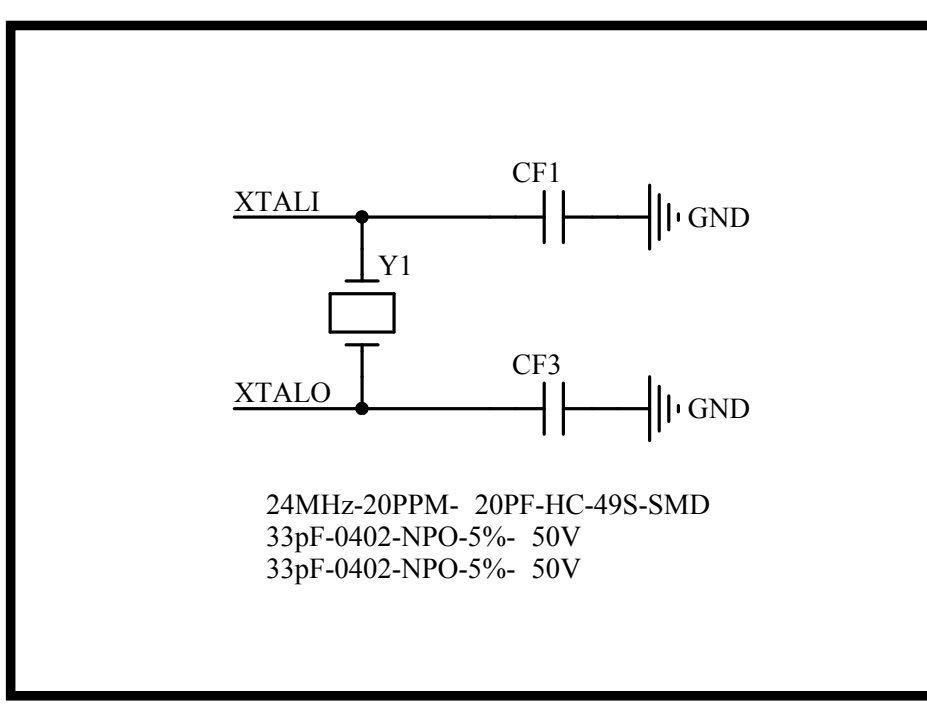
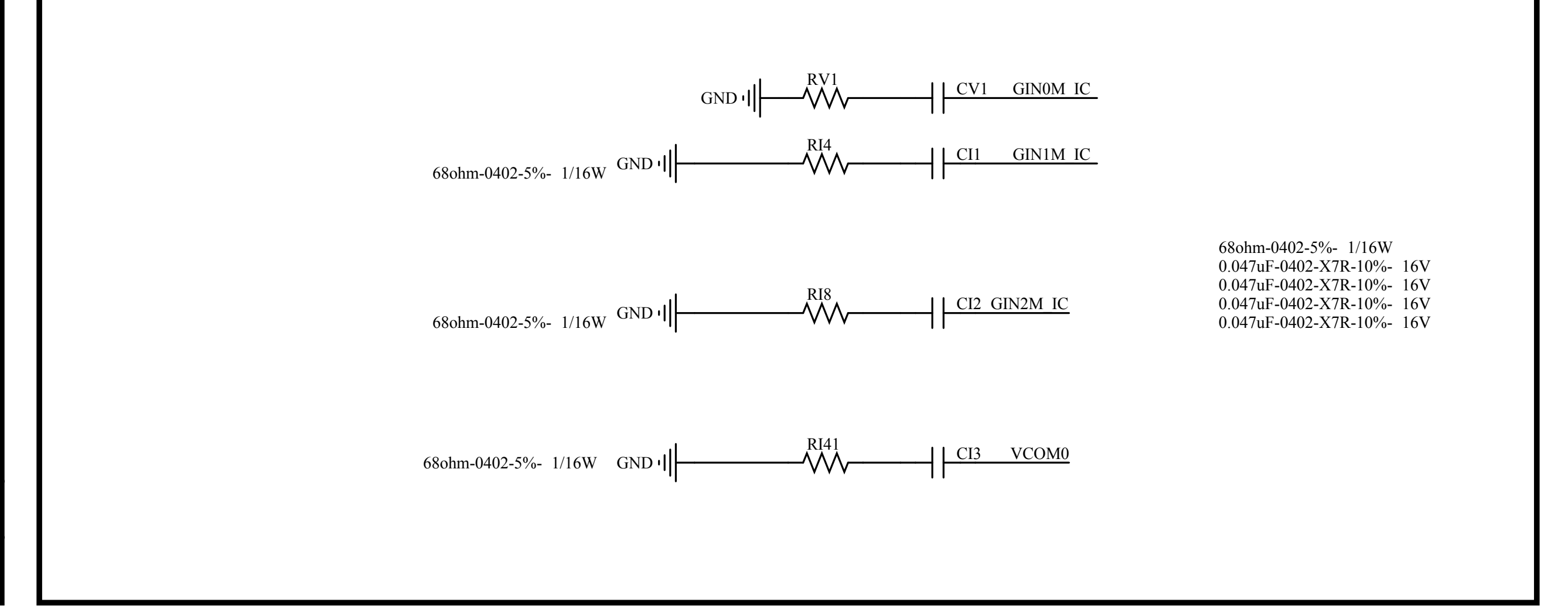
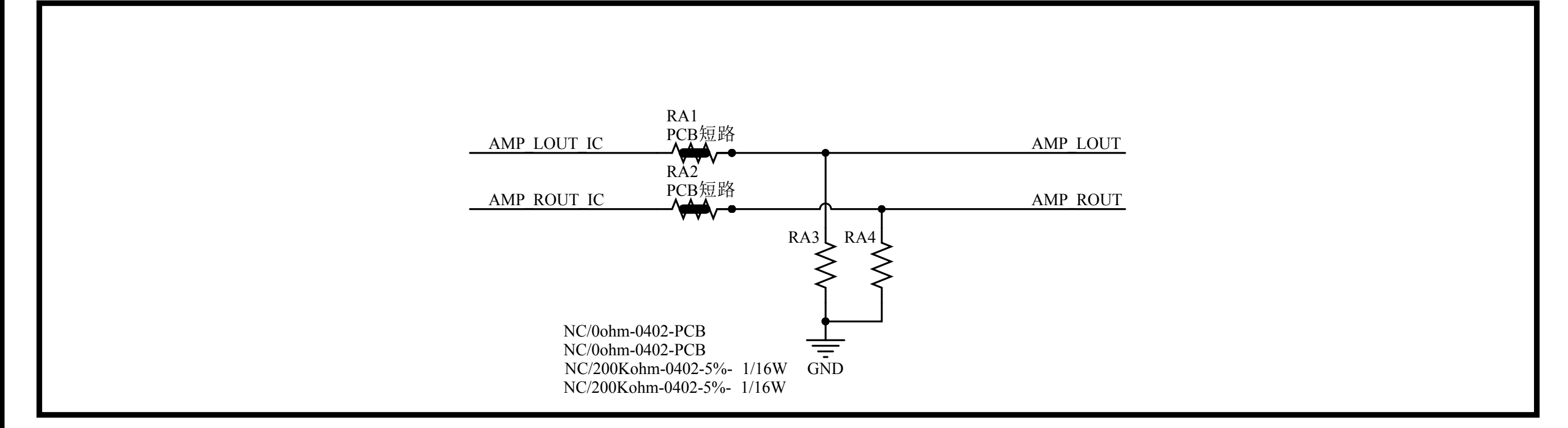
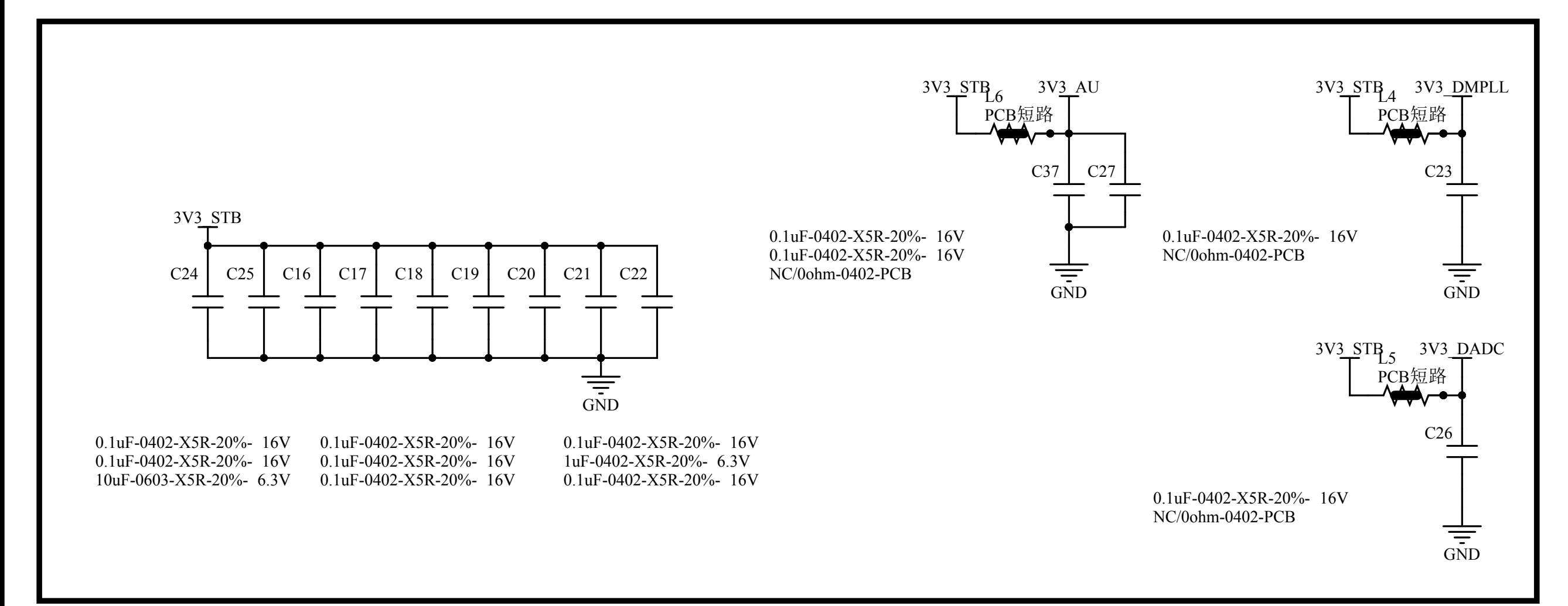
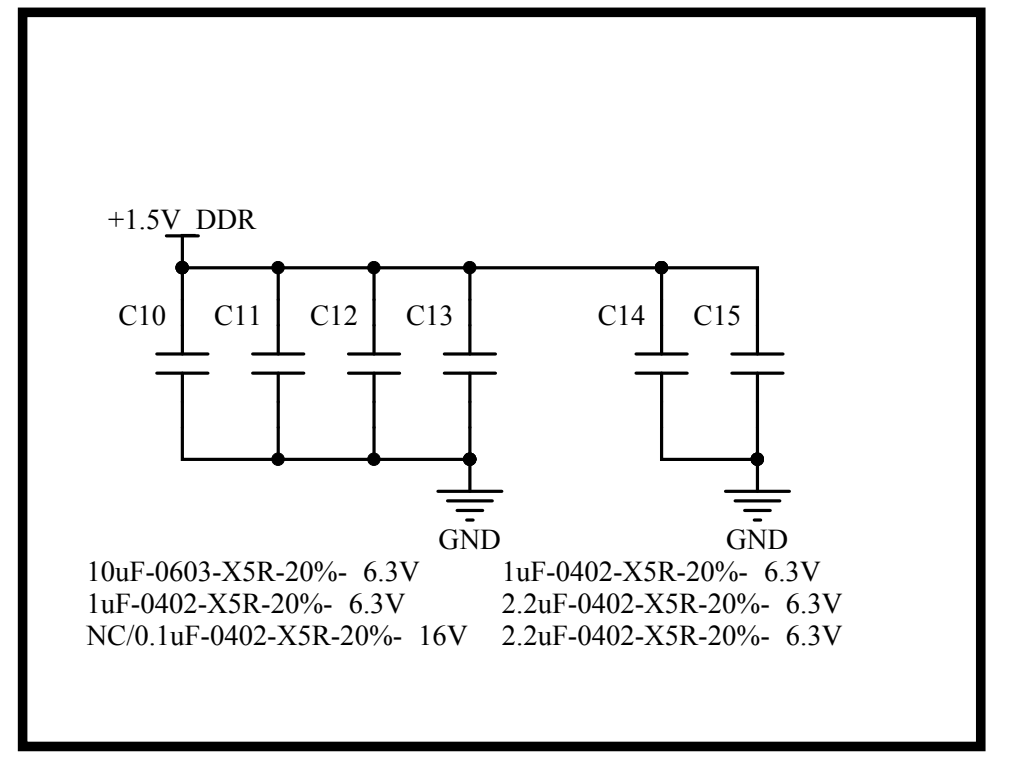
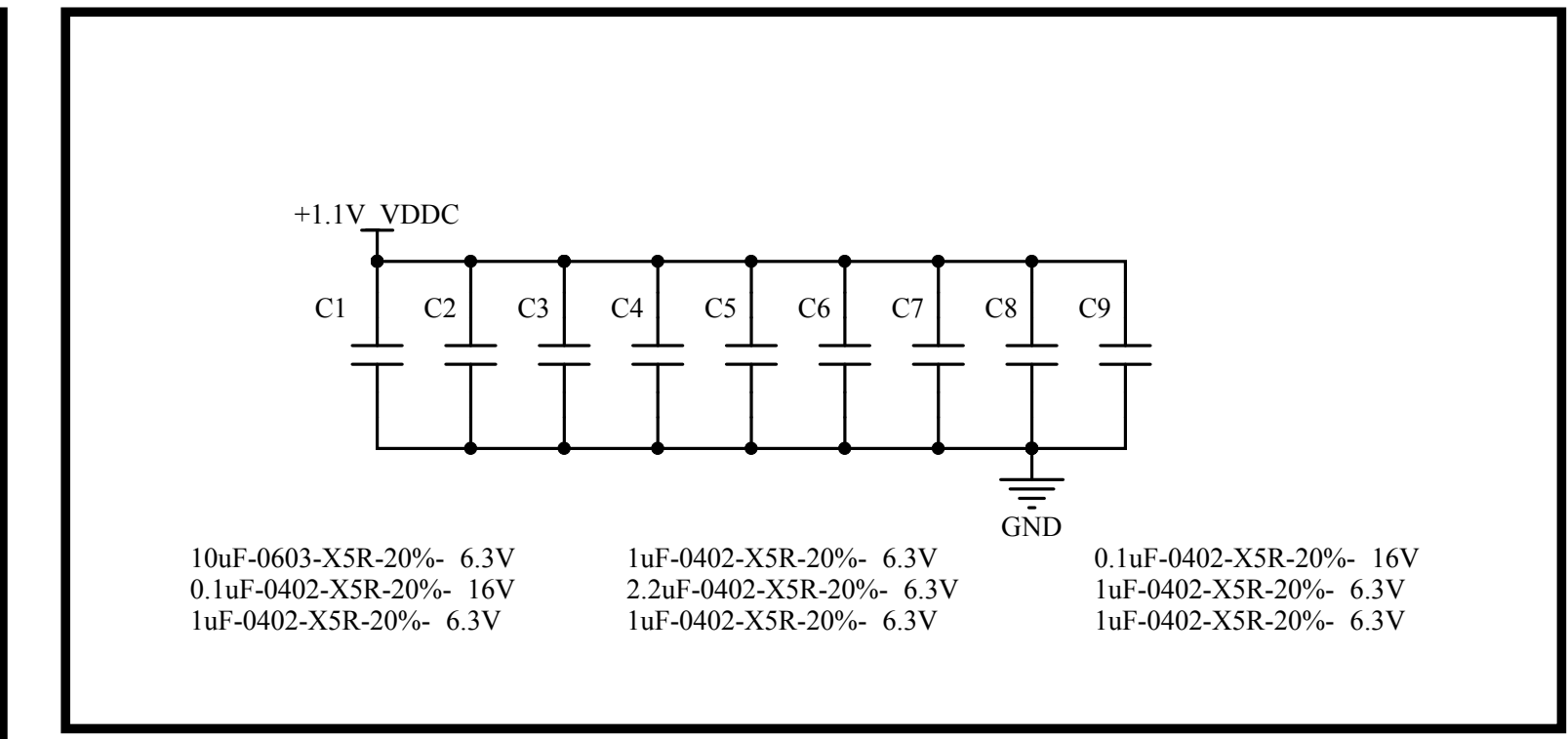
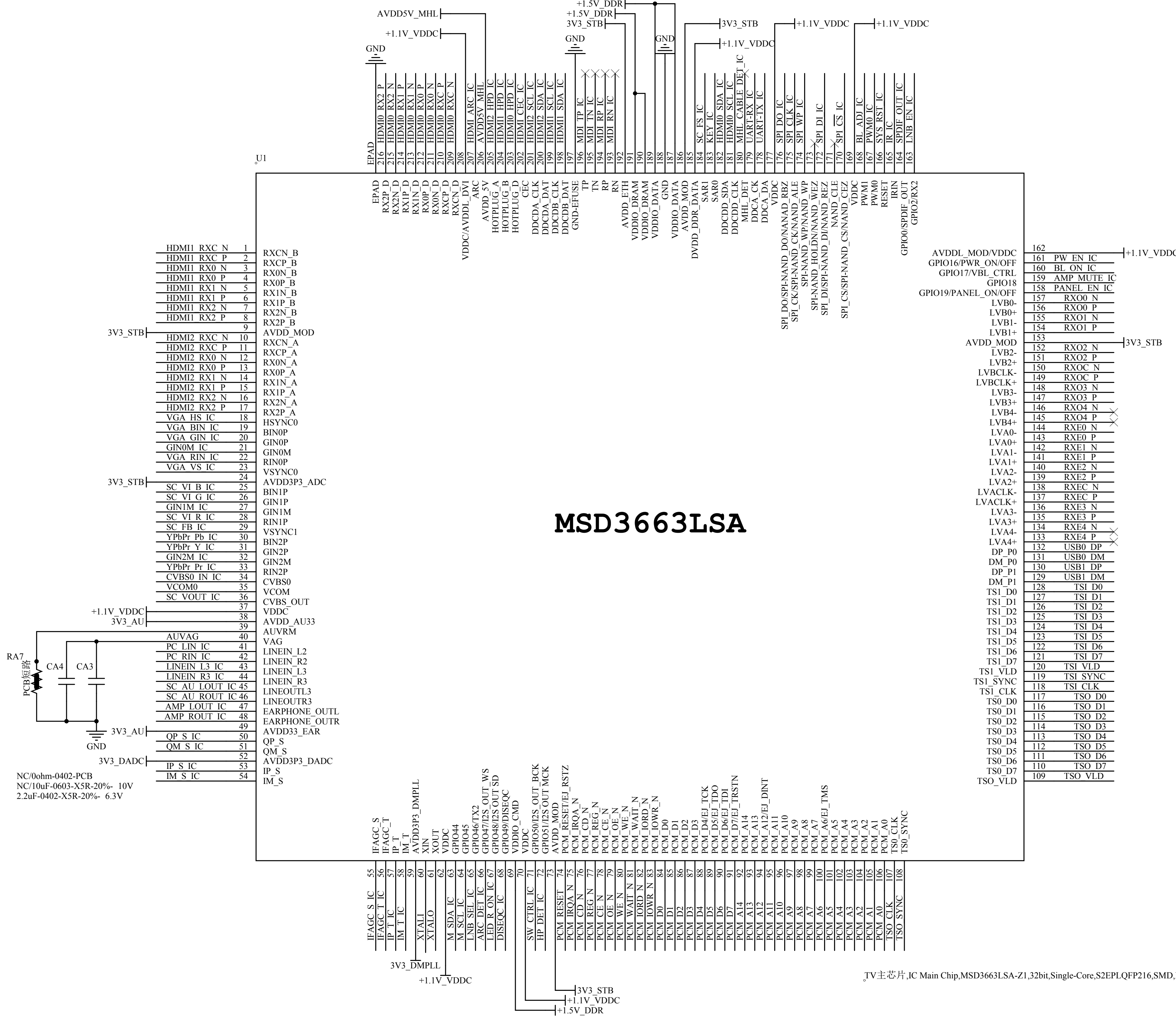
NC/0ohm-0805-5%- 1/8W
 NC/连接插座,connect jack,3Pin,D2.0,D,L=2.8mm,DIP,AMA
 NC/连接插座,connect jack,2Pin,D2.0,D,L=2.8mm,DIP,AMA
 0ohm-0805-5%- 1/8W
 0ohm-0805-5%- 1/8W
 连接插座,connect jack,3Pin,D2.0,D,L=2.8mm,DIP,AMA
 连接插座,connect jack,2Pin,D2.0,D,L=2.8mm,DIP,AMA



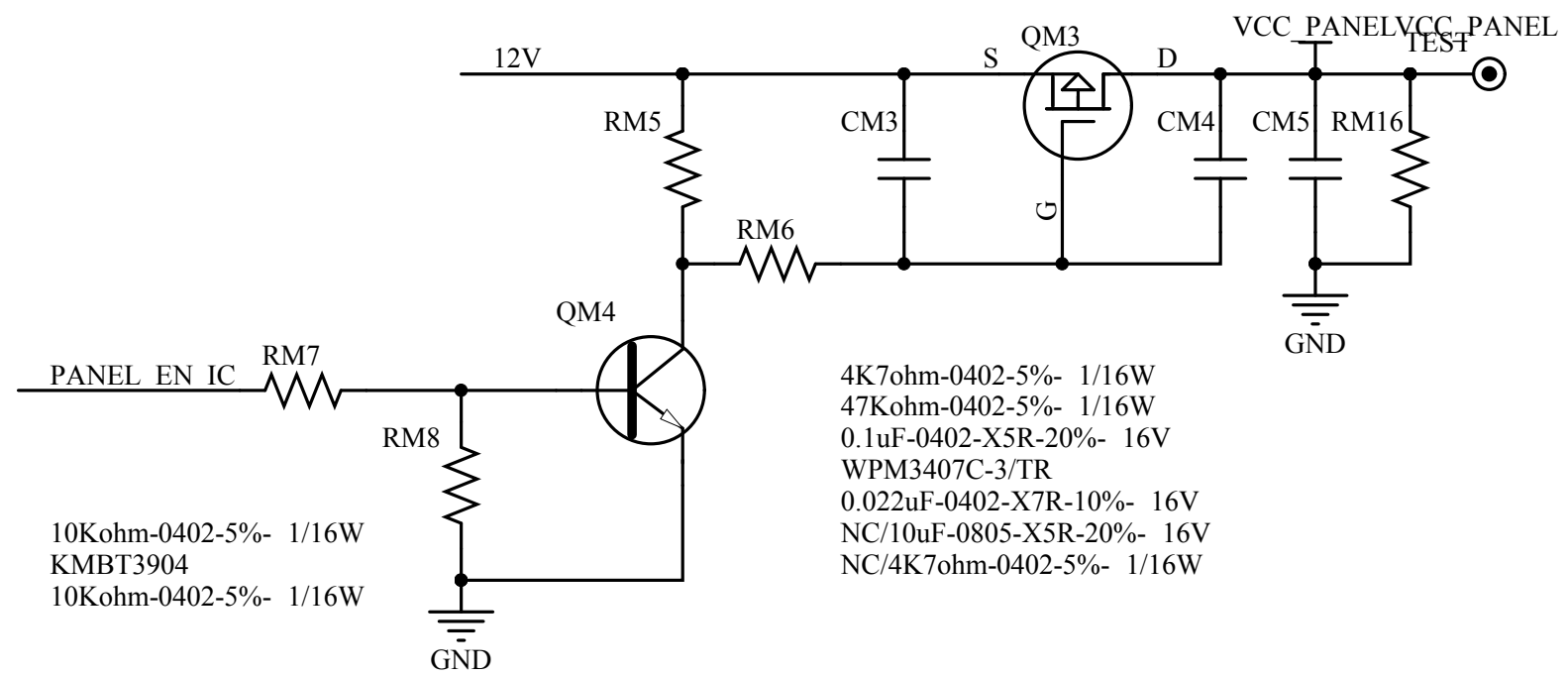
NC/17.514.50.5- 本色-Cu-MRD

NC/0ohm-0805-5%- 1/8W
 NC/连接插座,connect jack,3Pin,D2.0,D,L=2.8mm,DIP,AMA
 NC/连接插座,connect jack,2Pin,D2.0,D,L=2.8mm,DIP,AMA
 0ohm-0805-5%- 1/8W
 0ohm-0805-5%- 1/8W
 连接插座,connect jack,3Pin,D2.0,D,L=2.8mm,DIP,AMA
 连接插座,connect jack,2Pin,D2.0,D,L=2.8mm,DIP,AMA



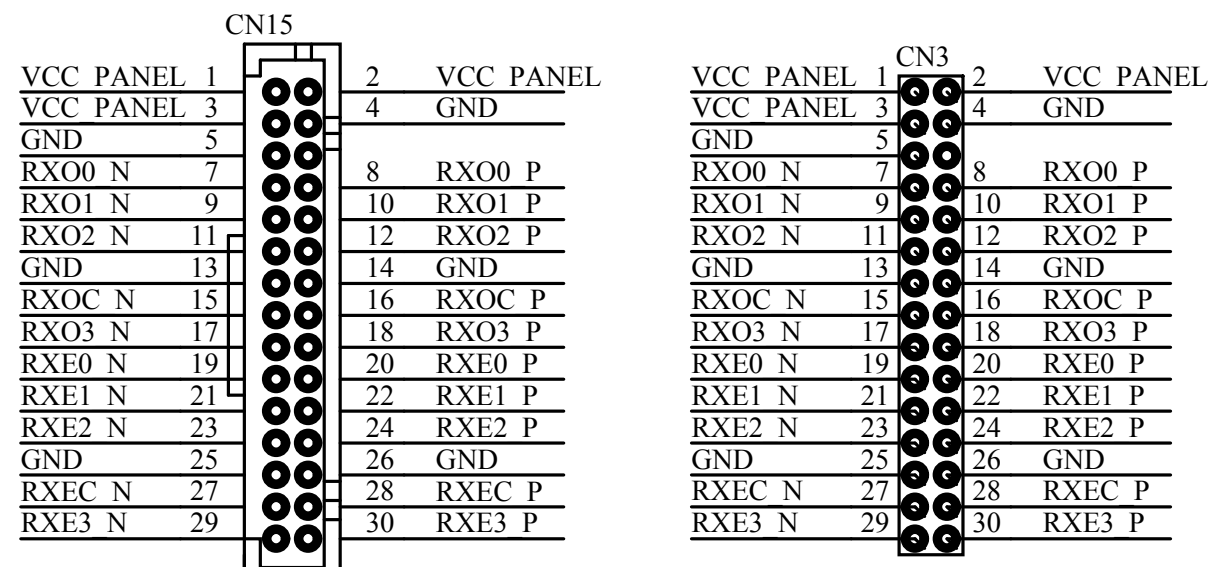


A



10Kohm-0402-5%- 1/16W
KMBT3904
10Kohm-0402-5%- 1/16W

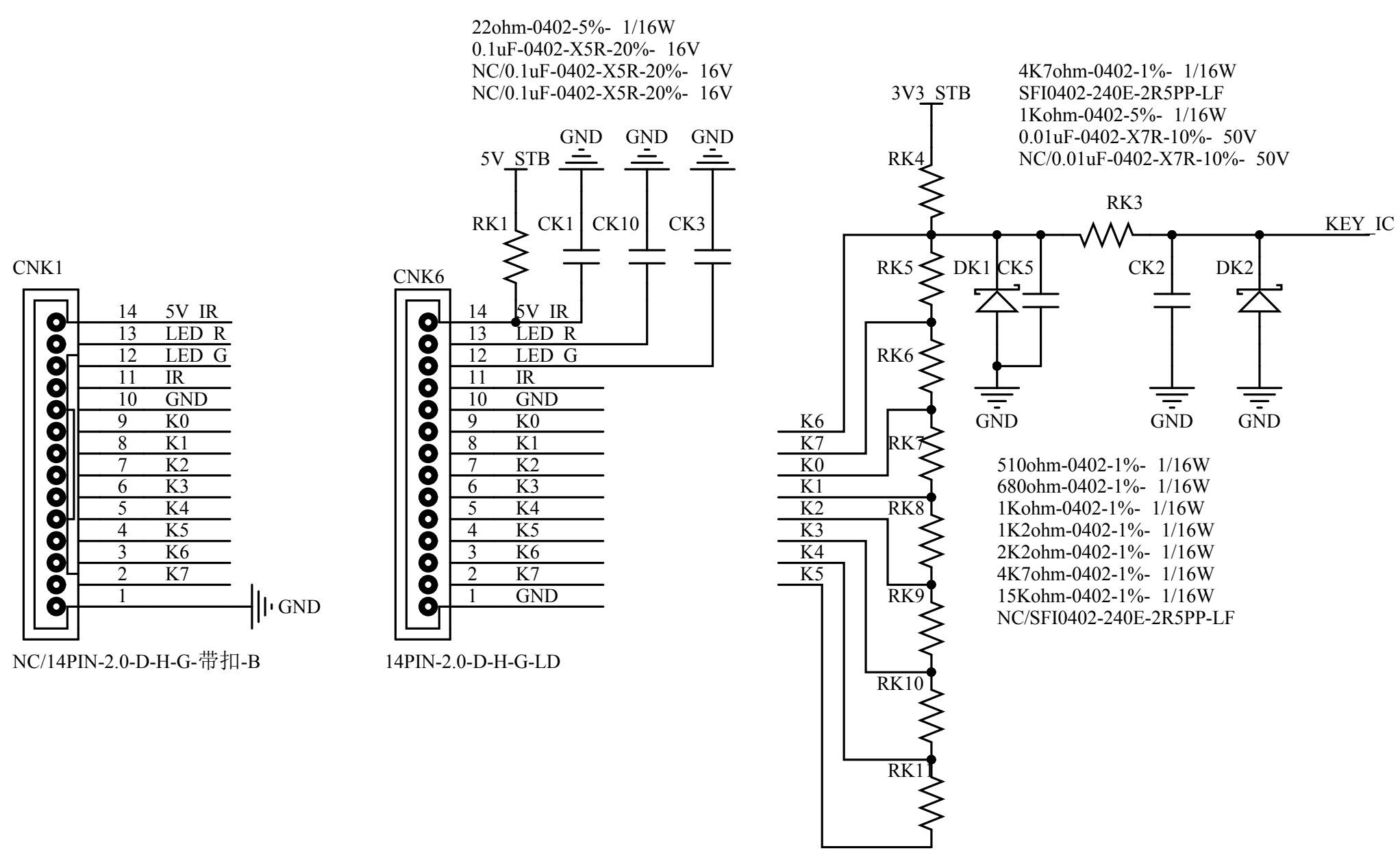
4K7ohm-0402-5%- 1/16W
47Kohm-0402-5%- 1/16W
0.1uF-0402-X5R-20%- 16V
WPM3407C-3/TR
0.022uF-0402-X7R-10%- 16V
NC/10uF-0805-X5R-20%- 16V
NC/4K7ohm-0402-5%- 1/16W



金针, pin connector, 215Pin/w without pin6, D, D2.0mm, L=2.6mm, DIP, LD
NC/连接插座, connect jack, 215Pin/w without pin6, D2.0, D, SNAP, Fool-proofing, Nature, L=2.6mm, DIP, CJ

B

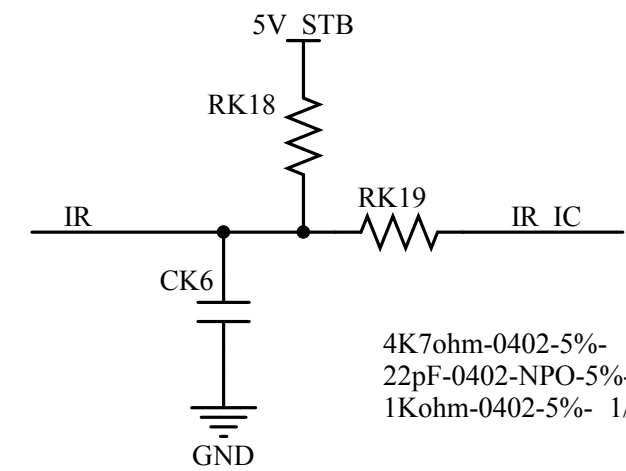
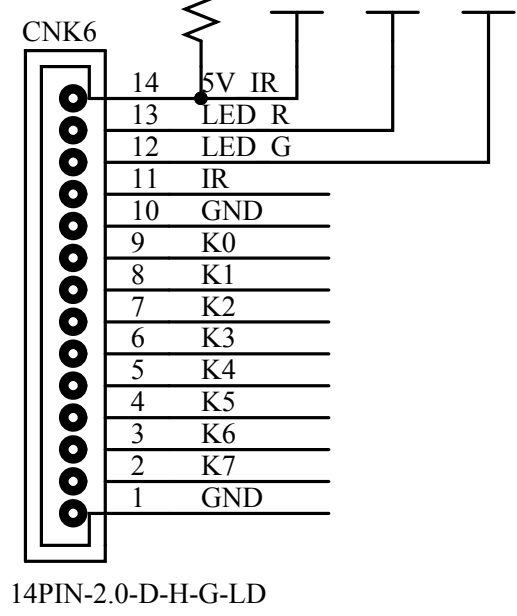
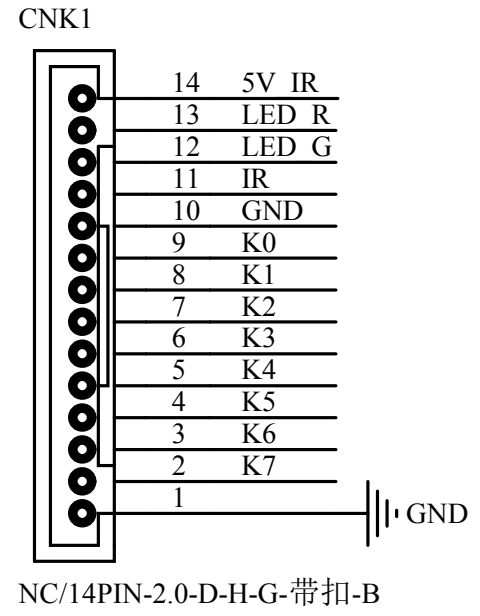
C



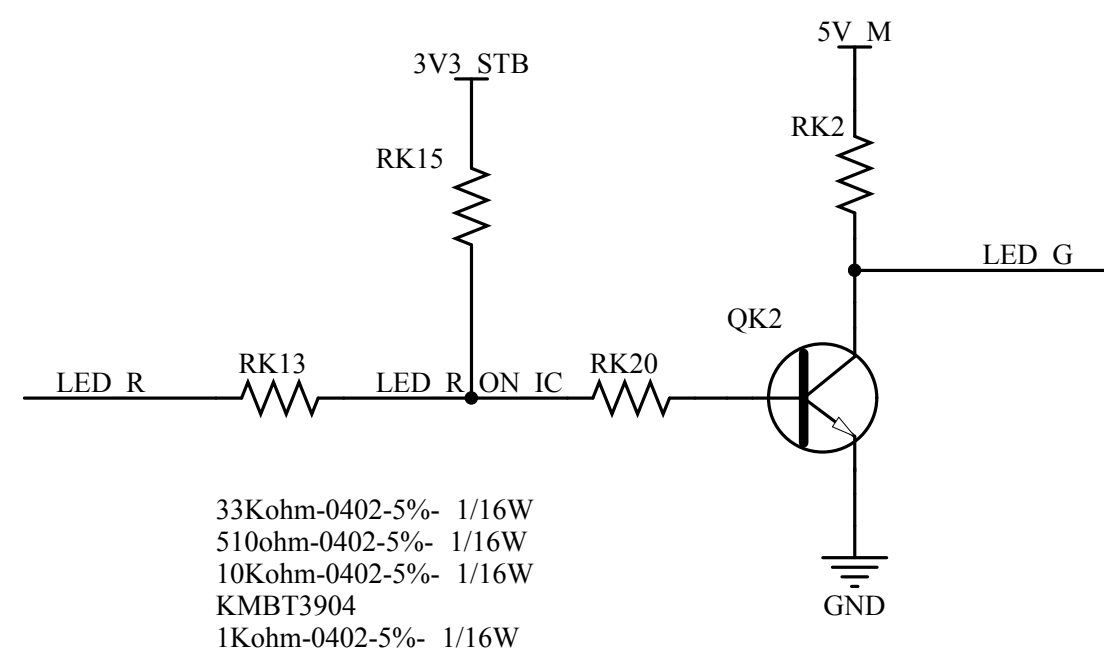
22ohm-0402-5%- 1/16W
0.1uF-0402-X5R-20%- 16V
NC/0.1uF-0402-X5R-20%- 16V
NC/0.1uF-0402-X5R-20%- 16V

4K7ohm-0402-1%- 1/16W
SF10402-240E-2R5PP-LF
1Kohm-0402-5%- 1/16W
0.01uF-0402-X7R-10%- 50V
NC/0.01uF-0402-X7R-10%- 50V

510ohm-0402-1%- 1/16W
680ohm-0402-1%- 1/16W
1Kohm-0402-1%- 1/16W
1K2ohm-0402-1%- 1/16W
2K2ohm-0402-1%- 1/16W
4K7ohm-0402-1%- 1/16W
15Kohm-0402-1%- 1/16W
NC/SF10402-240E-2R5PP-LF



4K7ohm-0402-5%- 1/16W
22pF-0402-NPO-5%- 50V
1Kohm-0402-5%- 1/16W



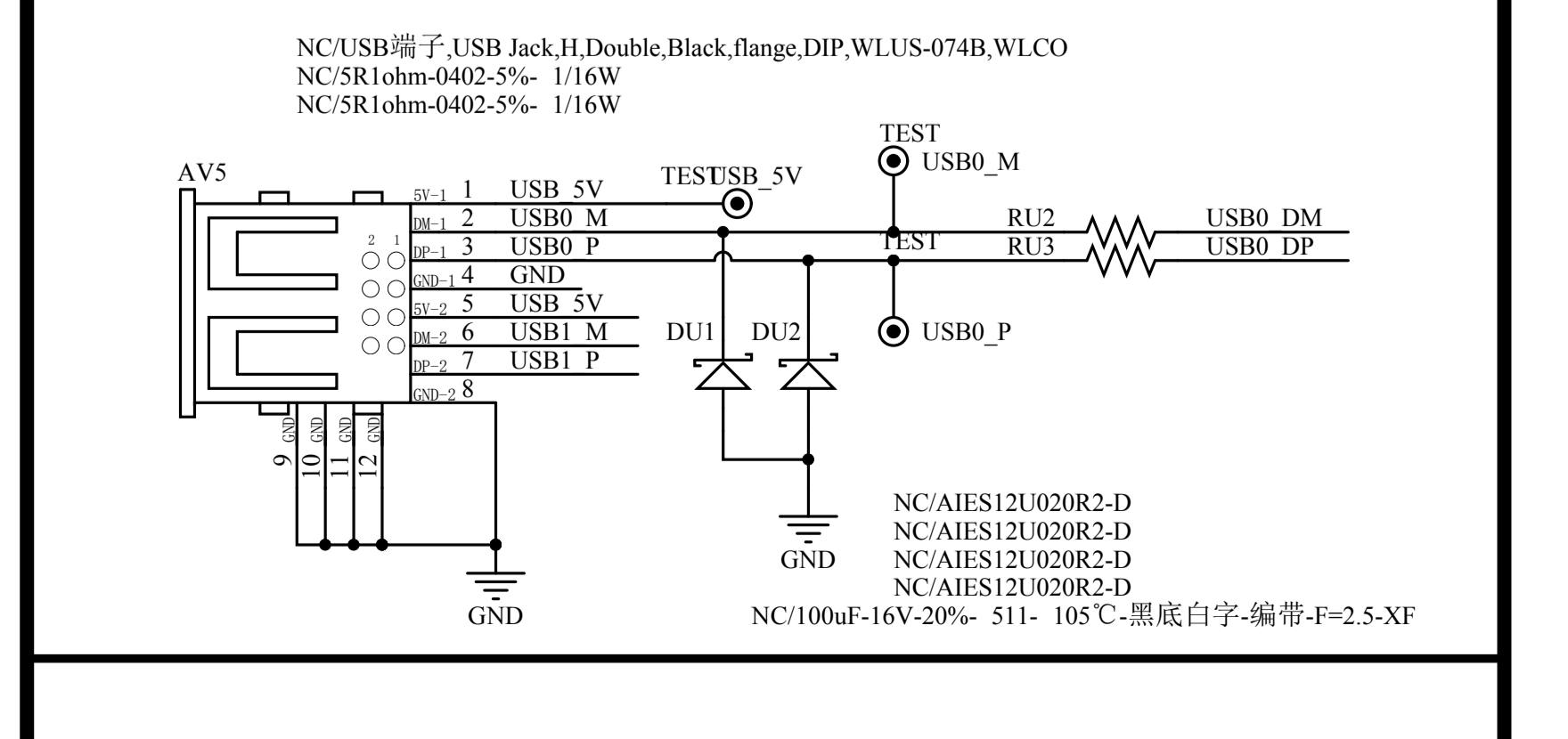
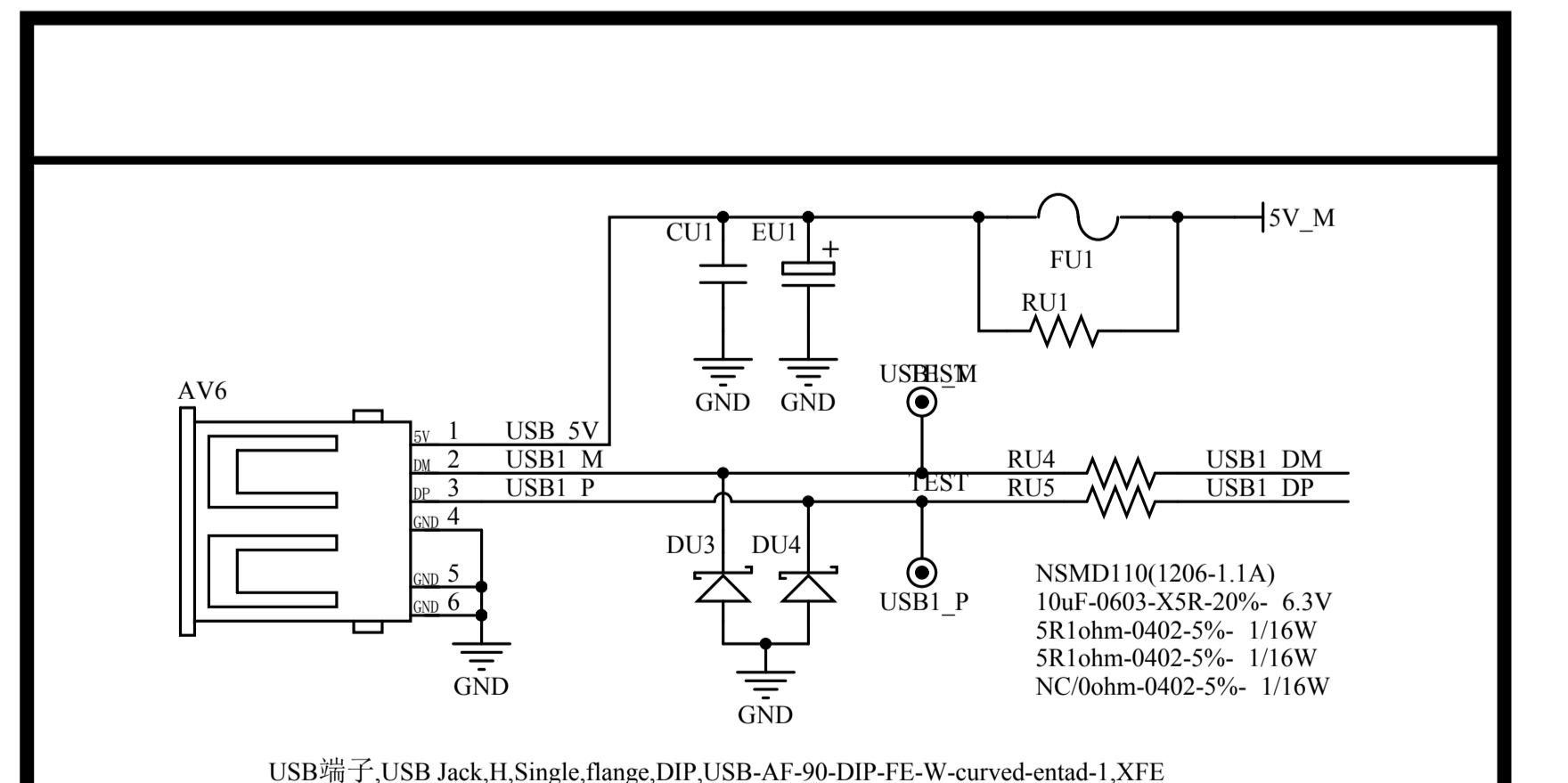
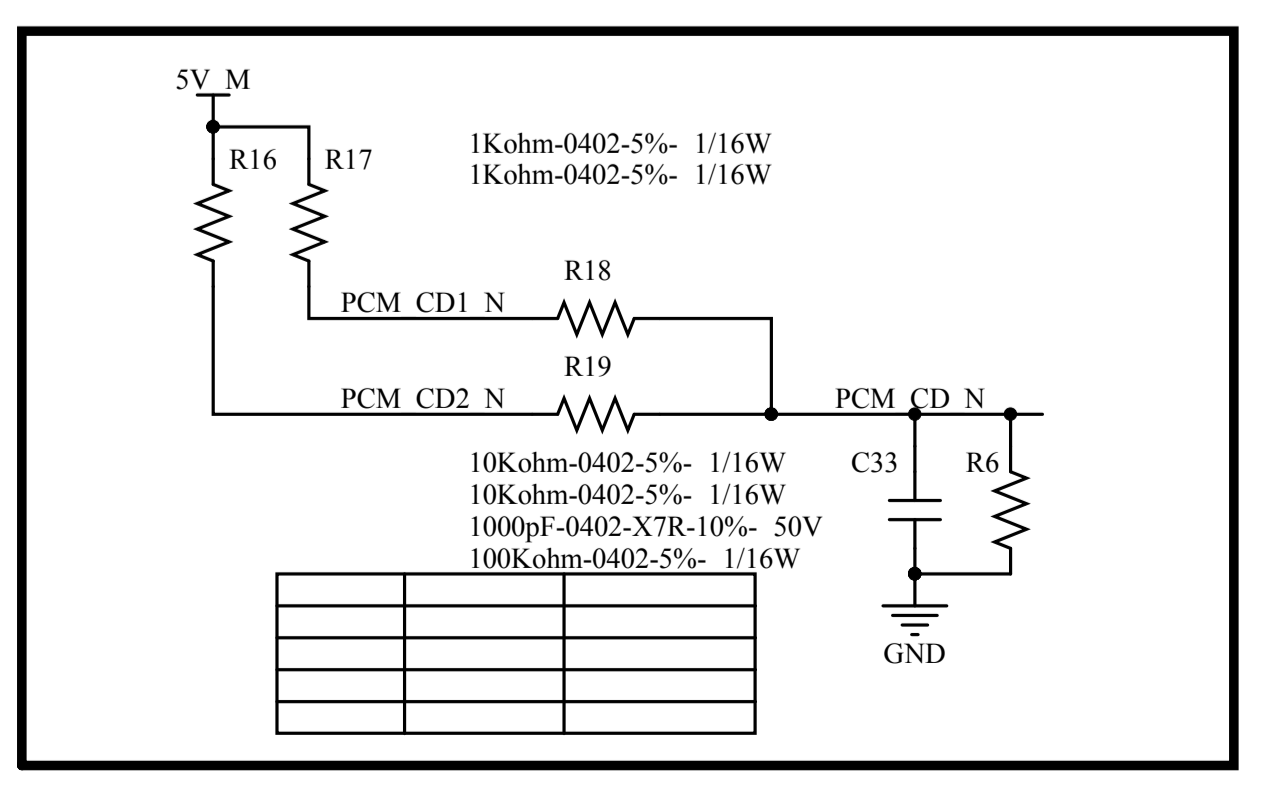
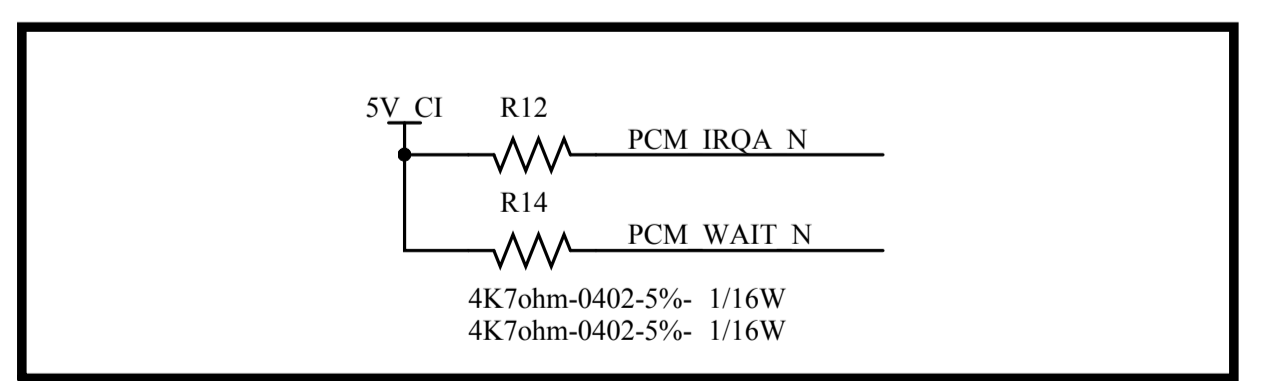
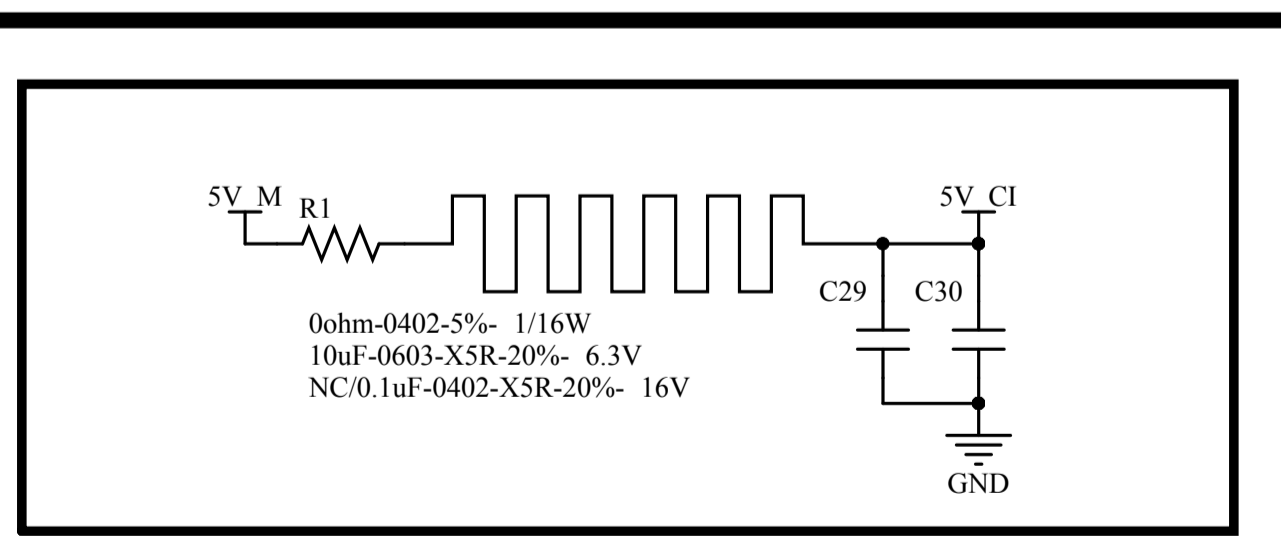
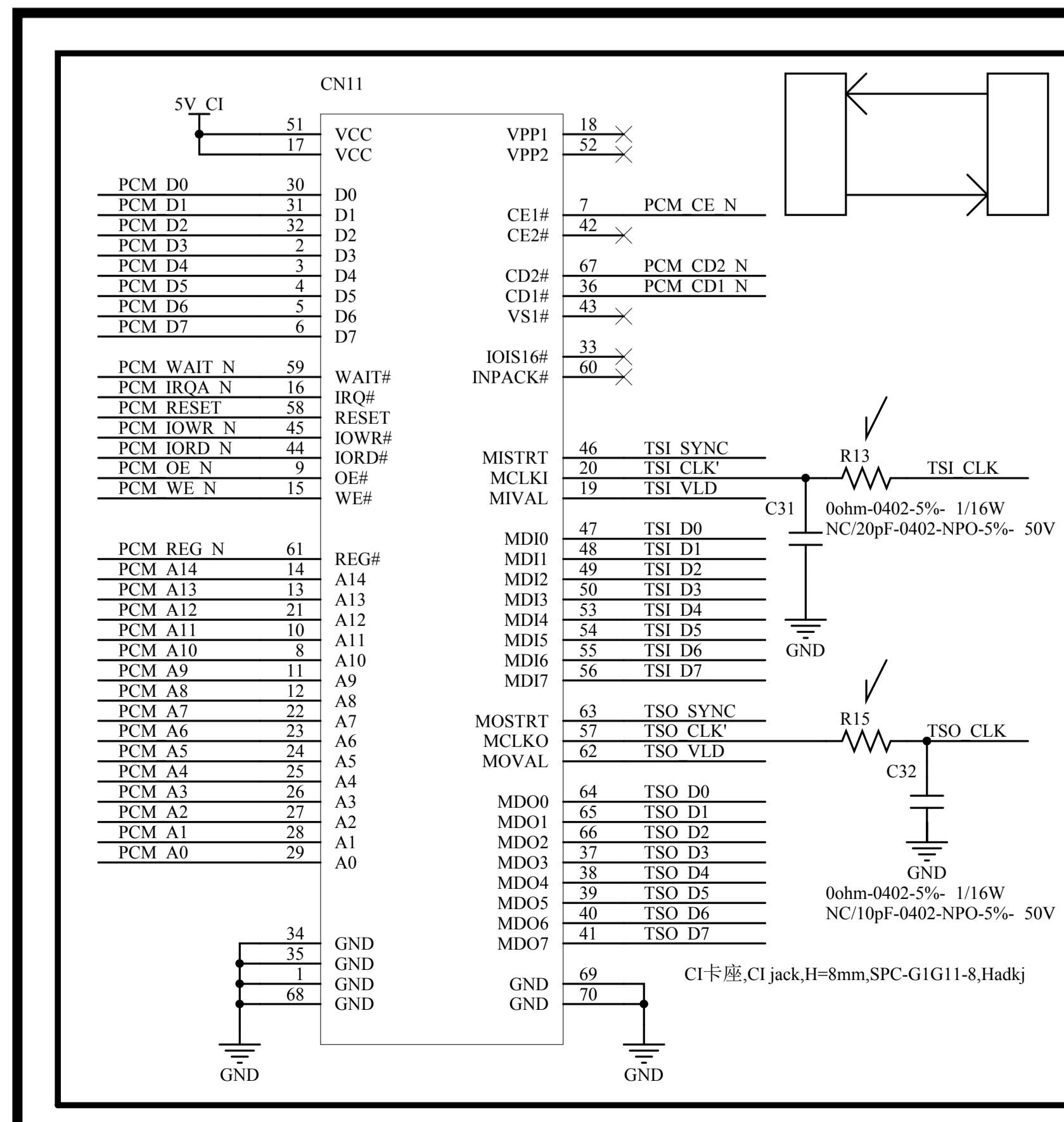
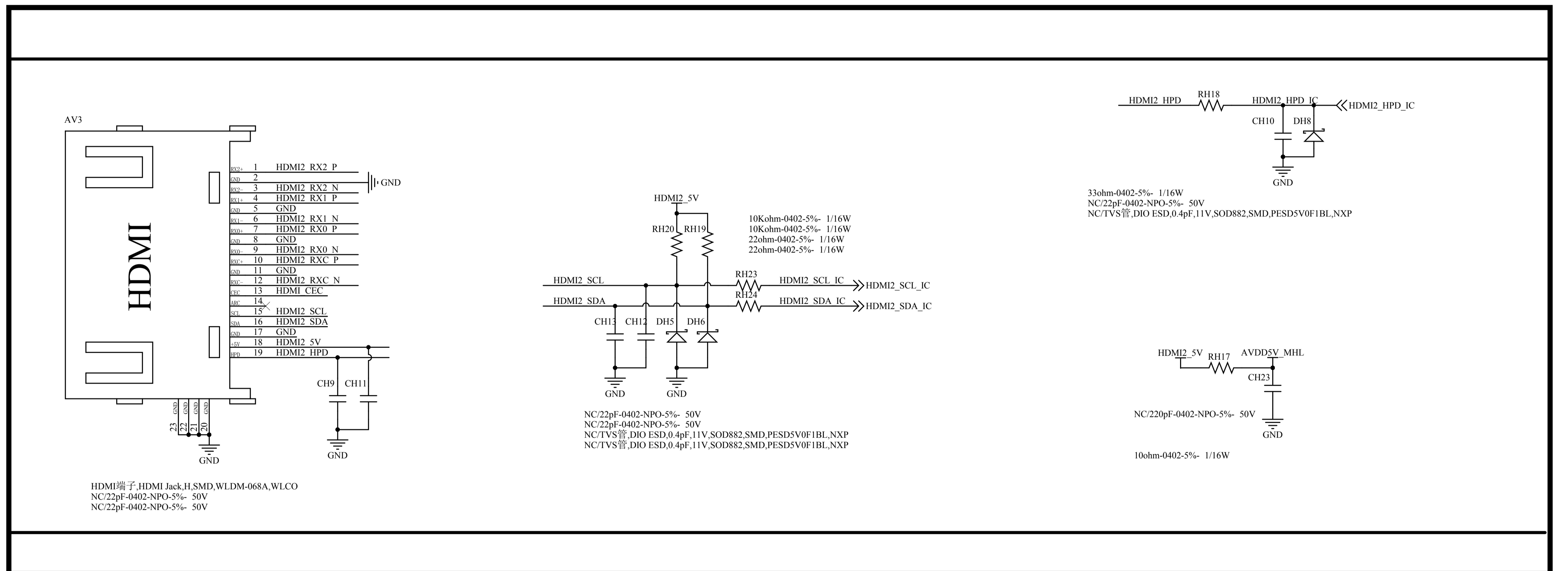
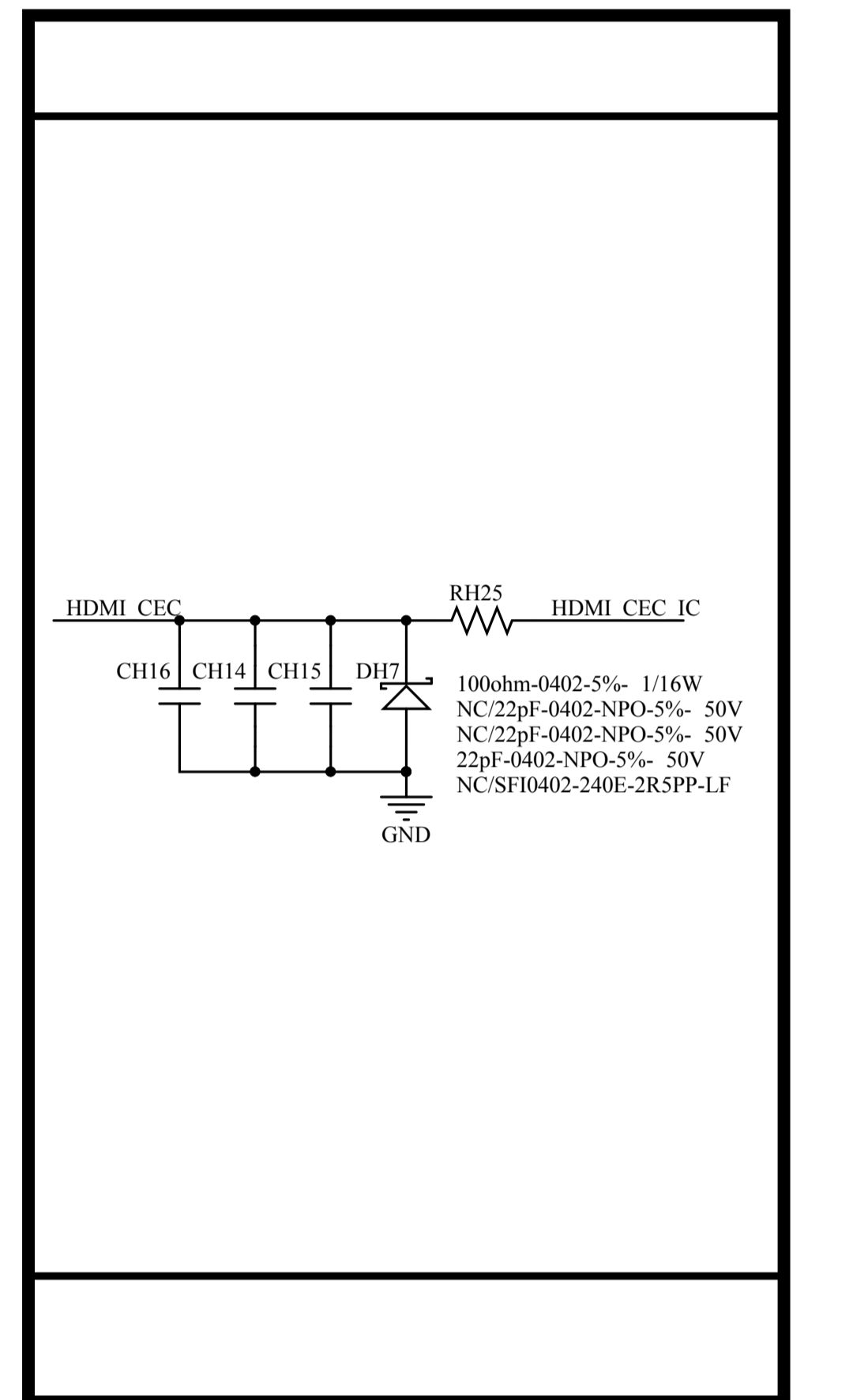
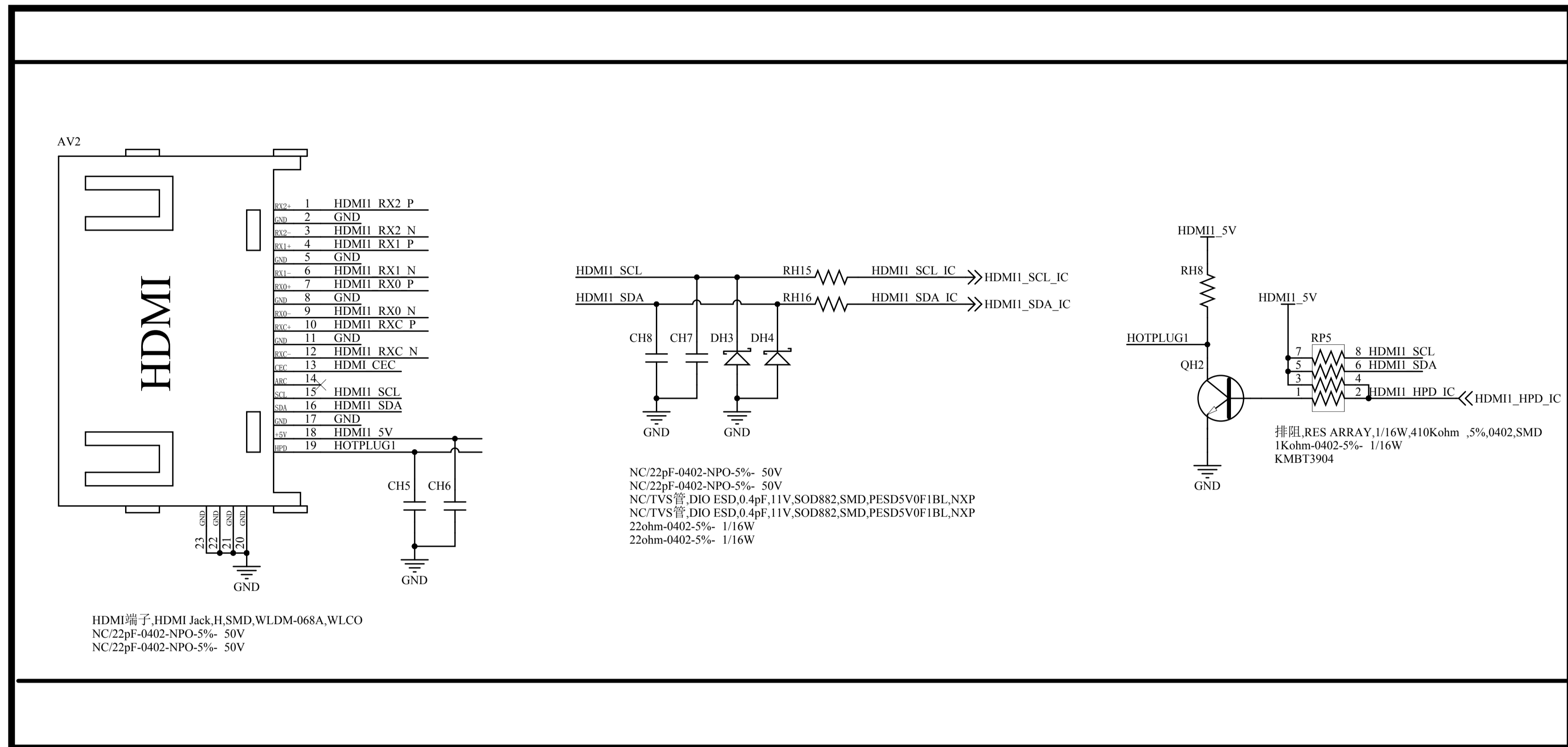
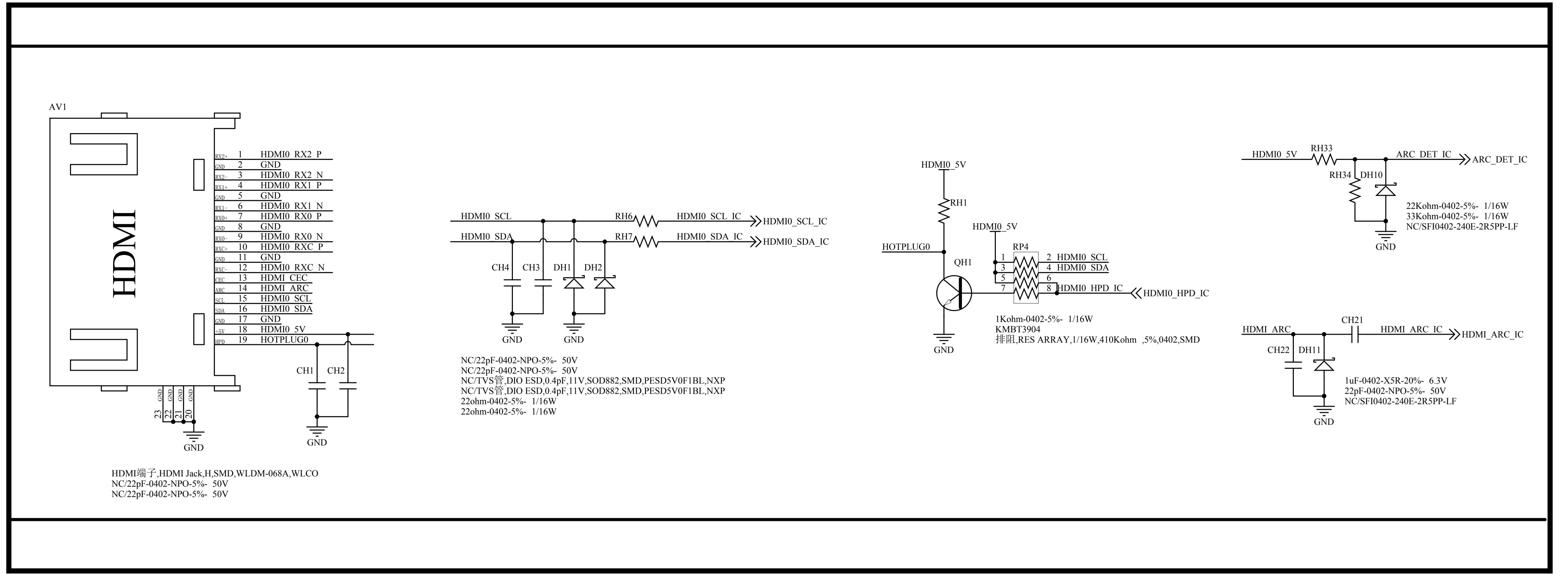
33Kohm-0402-5%- 1/16W
510ohm-0402-5%- 1/16W
10Kohm-0402-5%- 1/16W
KMBT3904
1Kohm-0402-5%- 1/16W

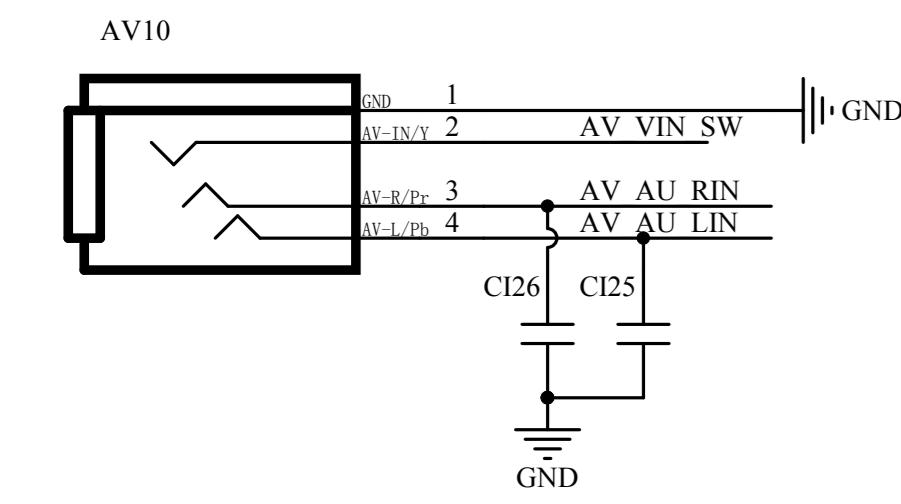
A

B

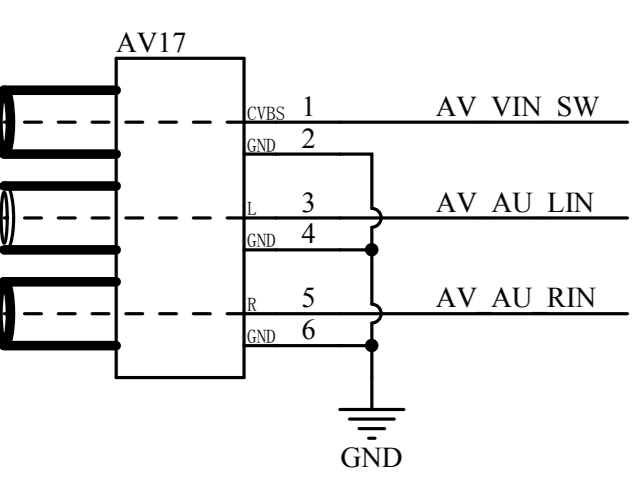
C

D

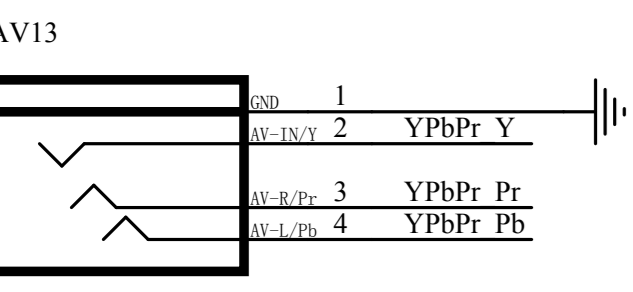




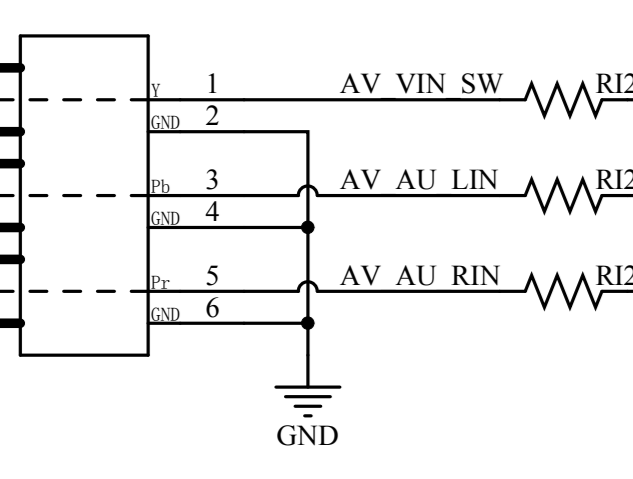
1000pF-0402-X7R-10%- 50V
4700pF-0402-X7R-10%- 50V
耳机端子: Earphone Jack,H.03.5,CH2.5,Black,Seal,DIP,PJ-320C-5.0,JSL



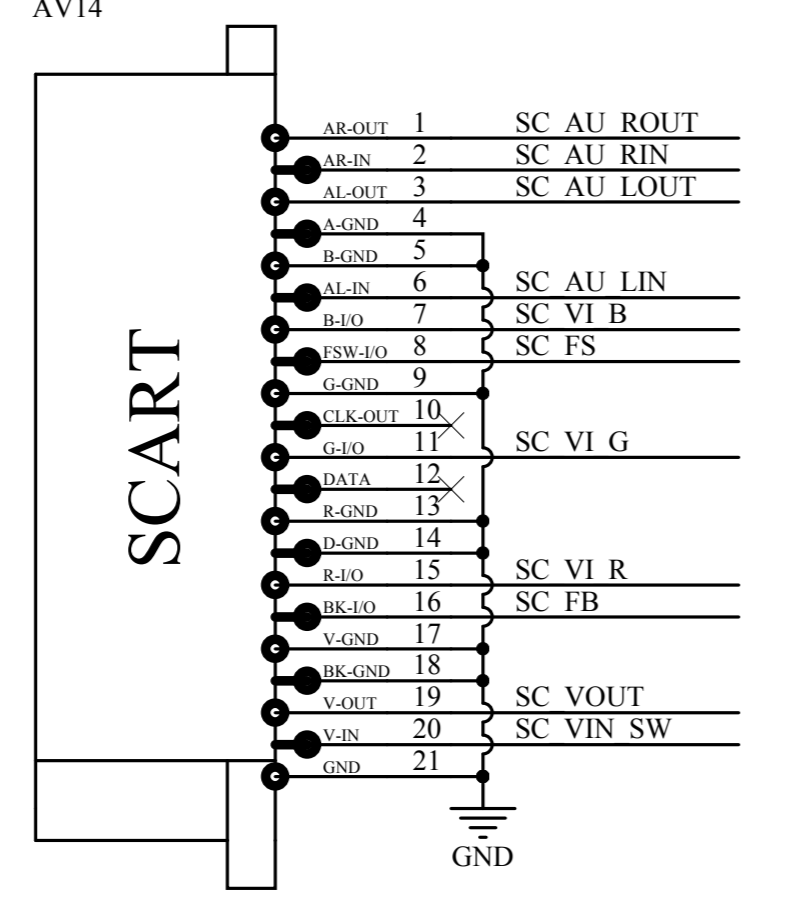
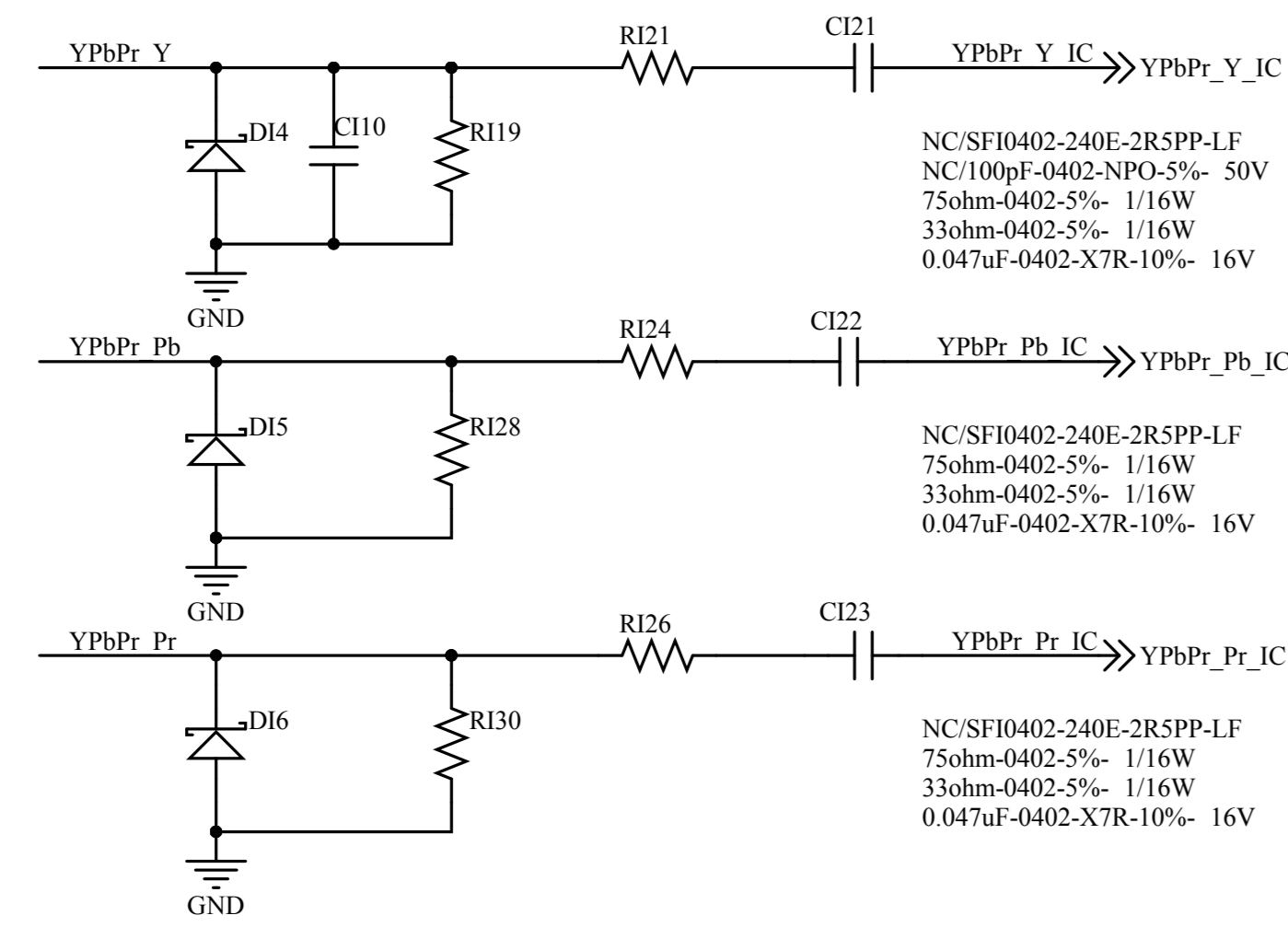
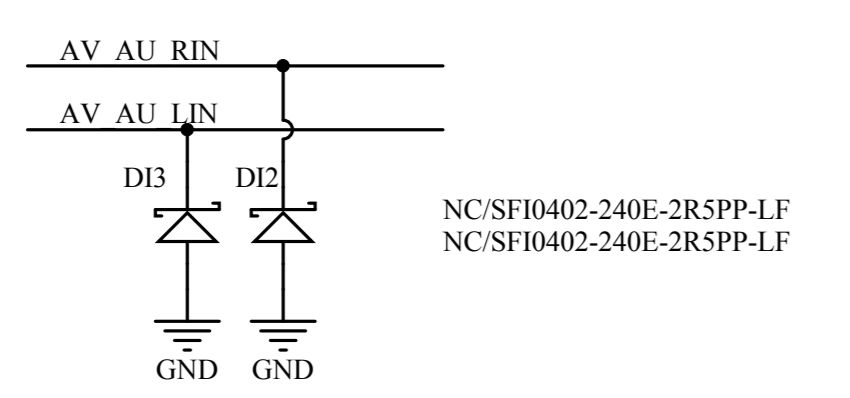
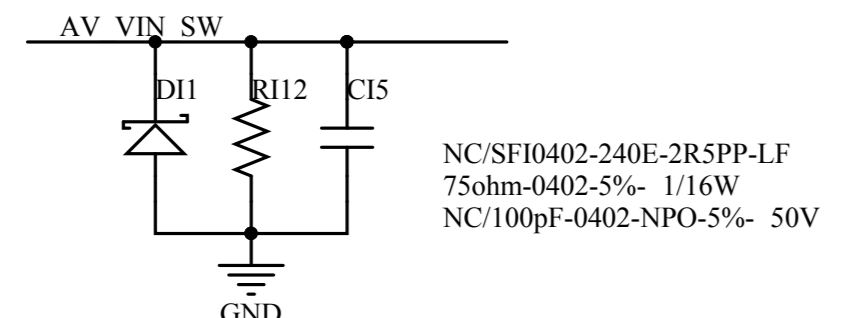
NC/RCA端子: RCA Jack,AV3,H,Yellow, White, Red,CH6.5,D14,Seal,DIP,RCA-338M-EP-01-S,CS



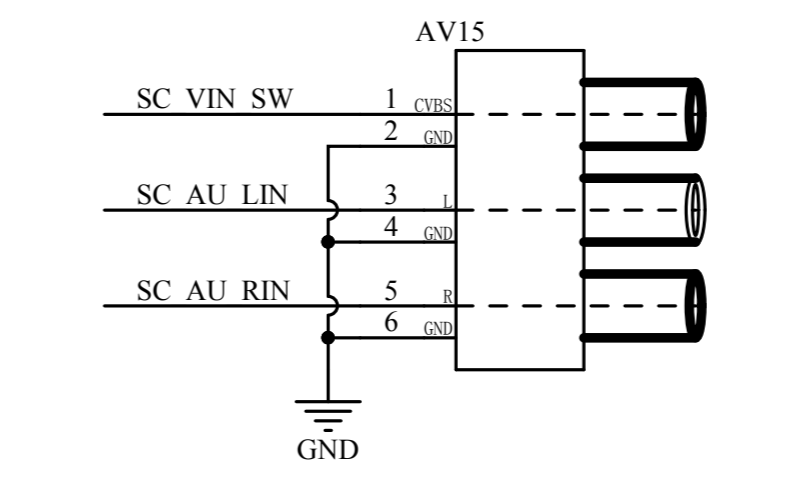
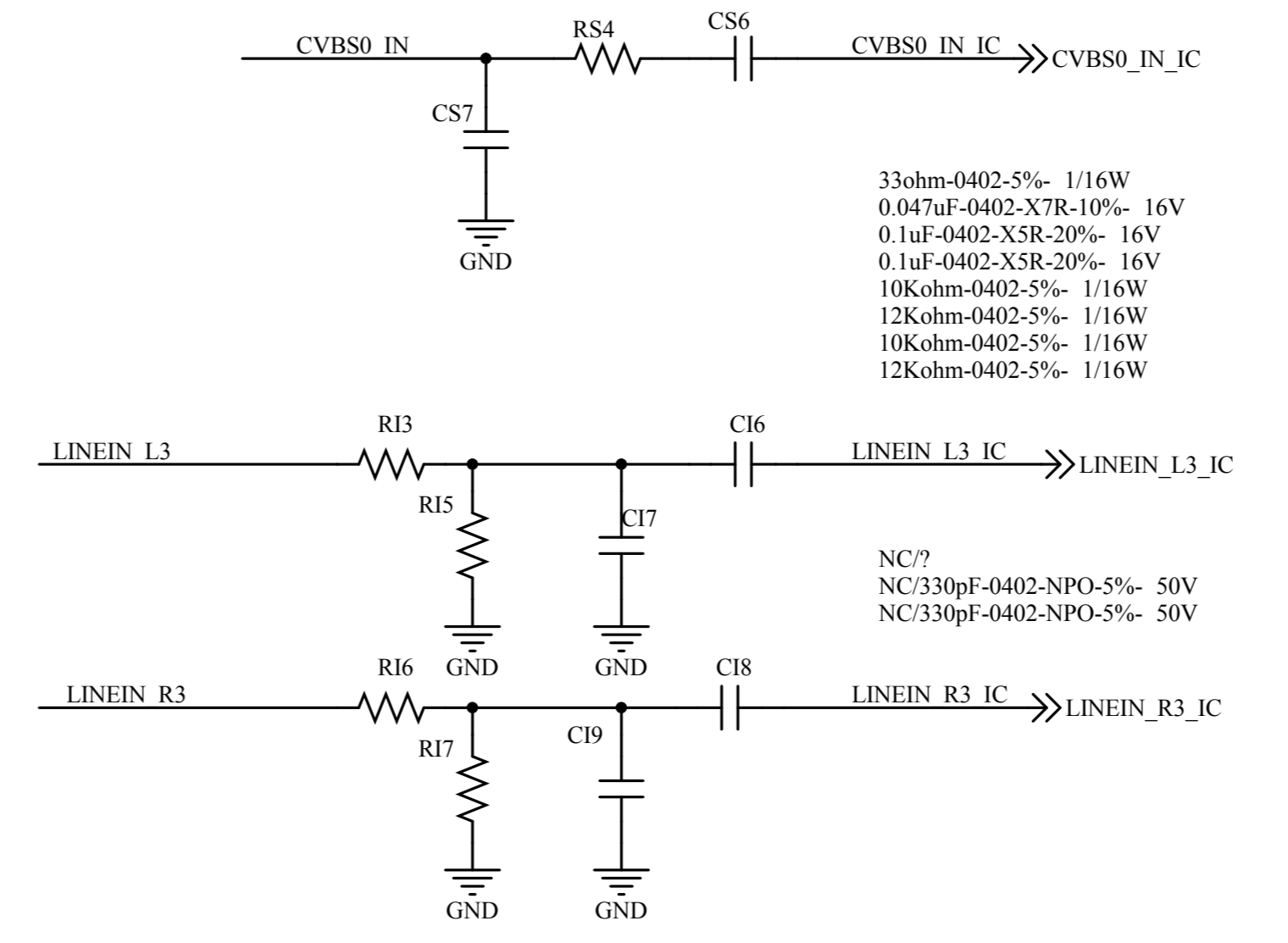
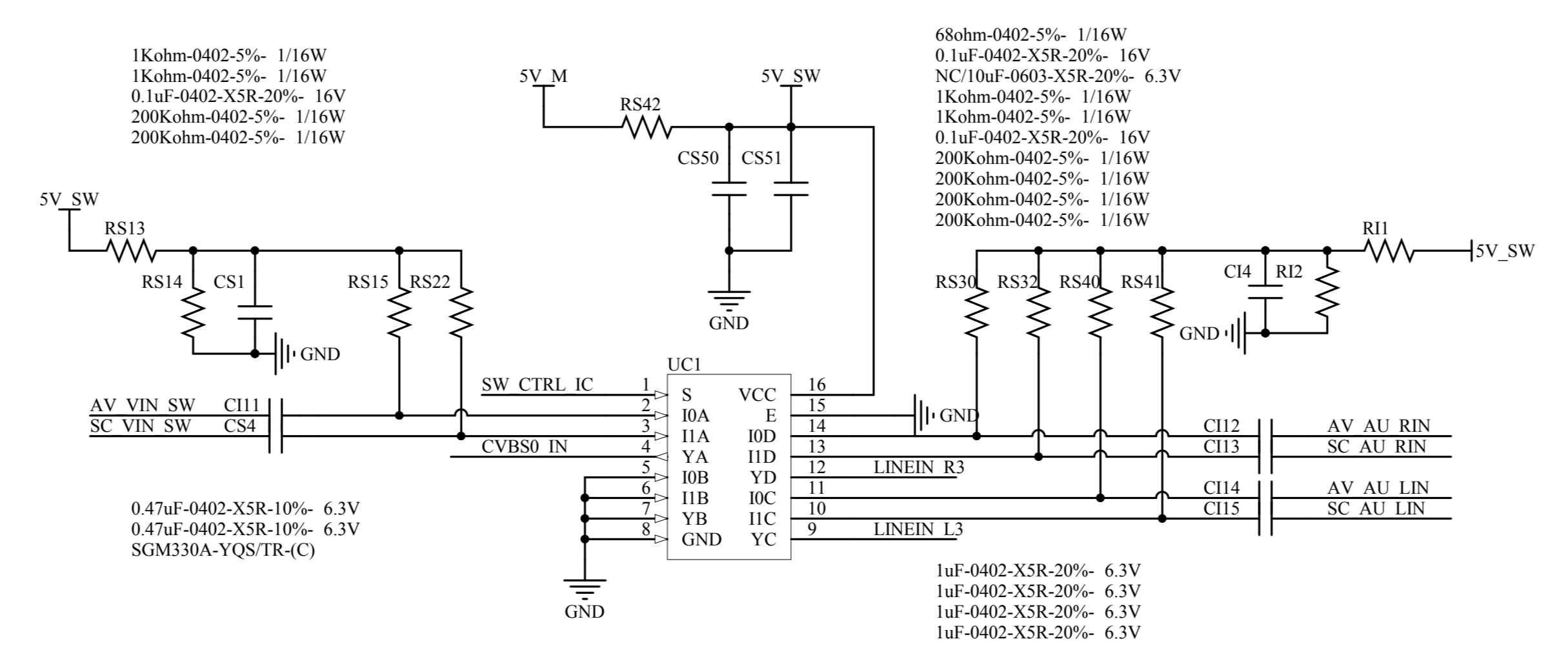
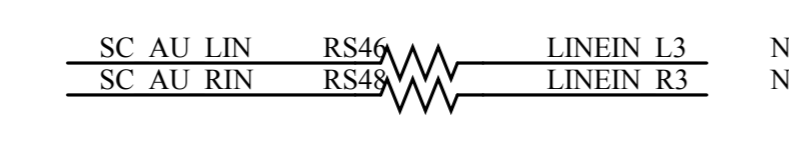
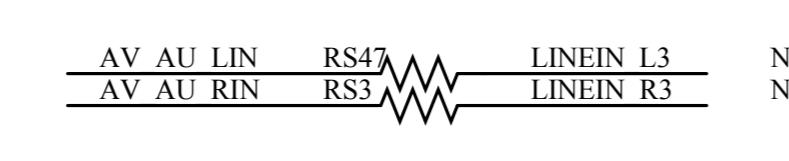
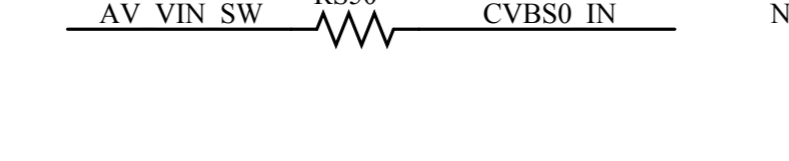
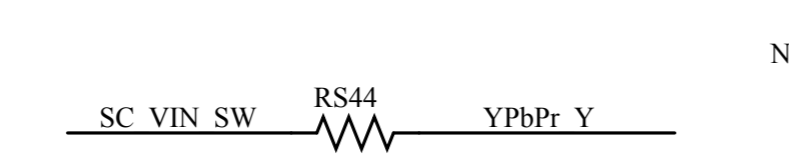
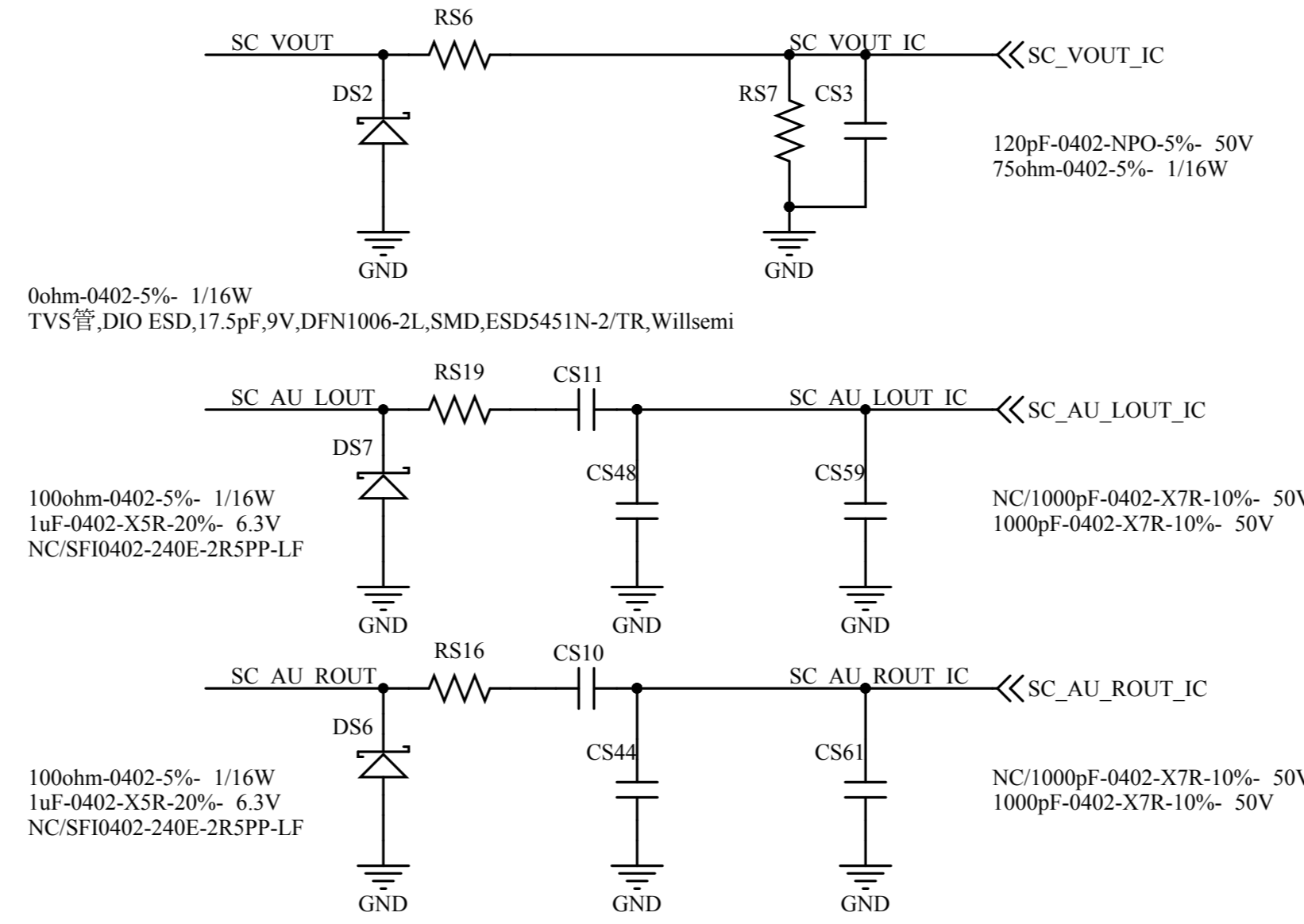
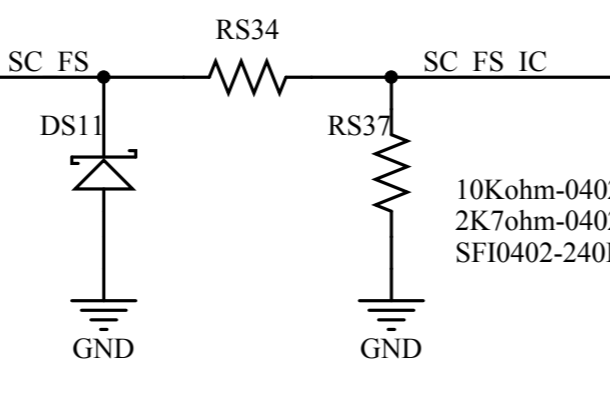
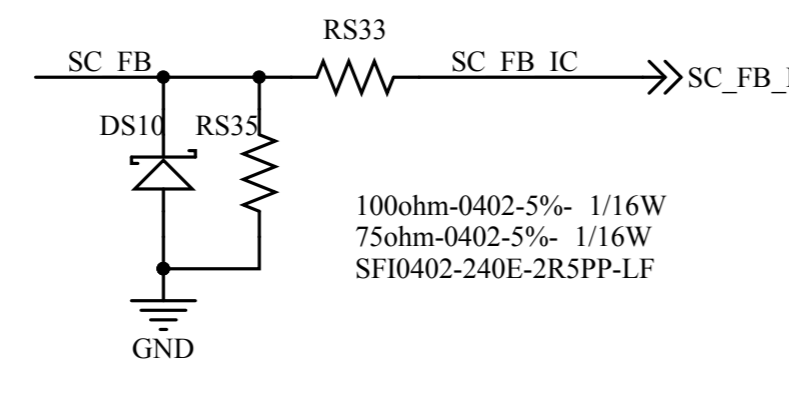
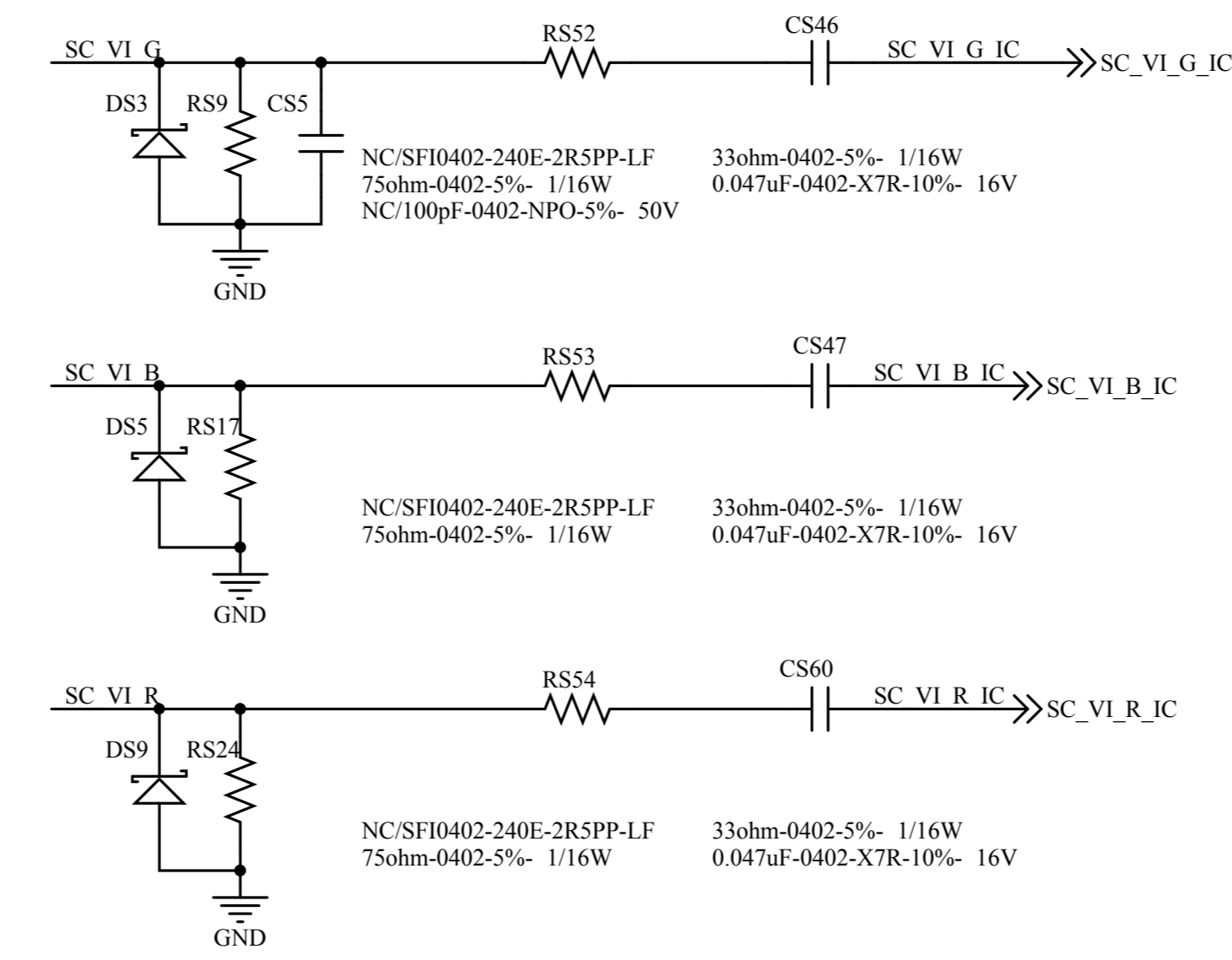
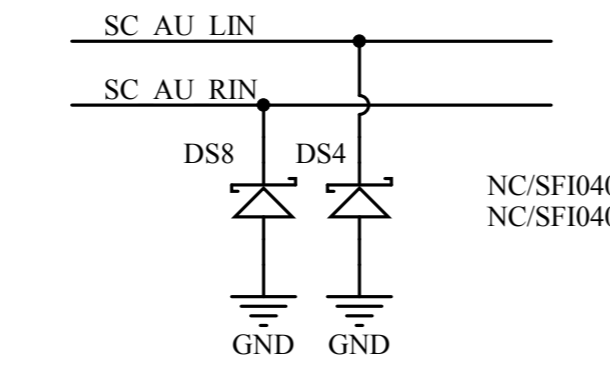
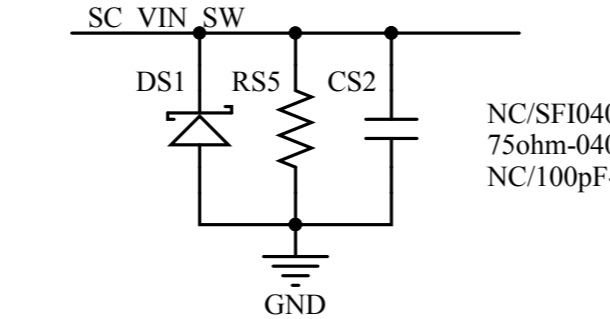
耳机端子: Earphone Jack,H.03.5,CH2.5,Black,Seal,DIP,PJ-320C-5.0,JSL



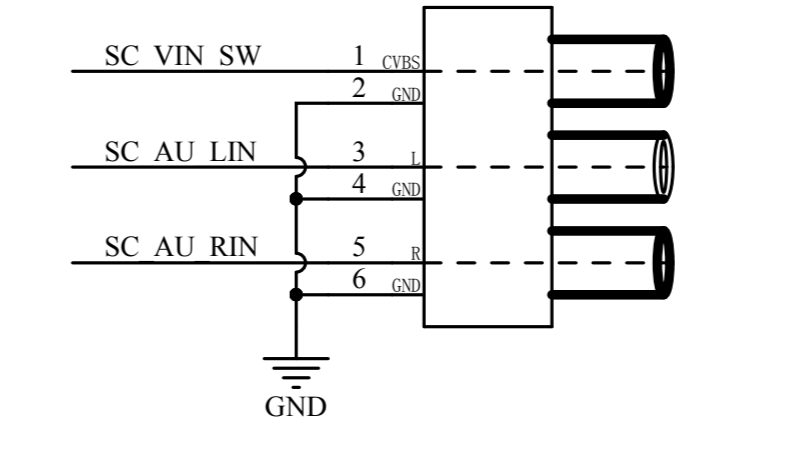
NC/00hm-0402-5%- 1/16W
NC/00hm-0402-5%- 1/16W
NC/00hm-0402-5%- 1/16W
NC/RCA端子: RCA Jack,AV3,H,Green, Blue, Red,CH6.5,D14,Seal,DIP,RCA-338M-EP-04-S,CS



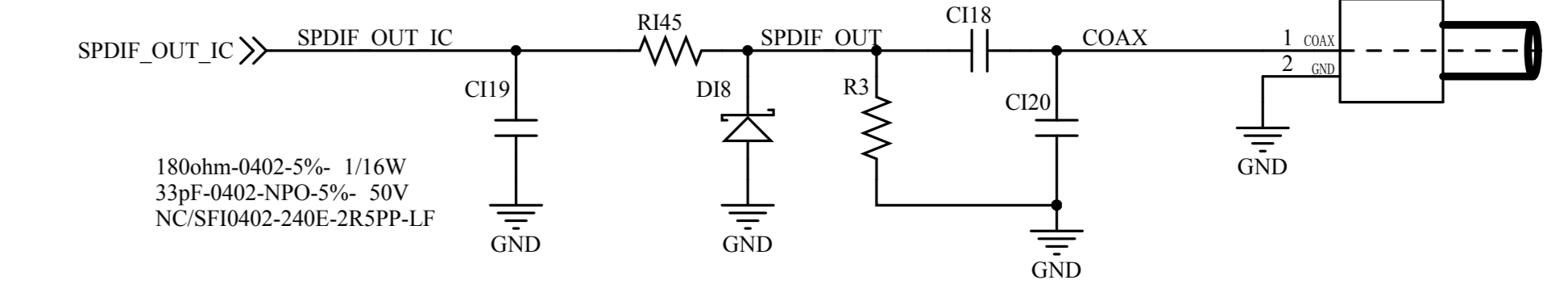
SCART端子: SCART Jack,H,R,Seal,DIP,CS-116C-EP,CS



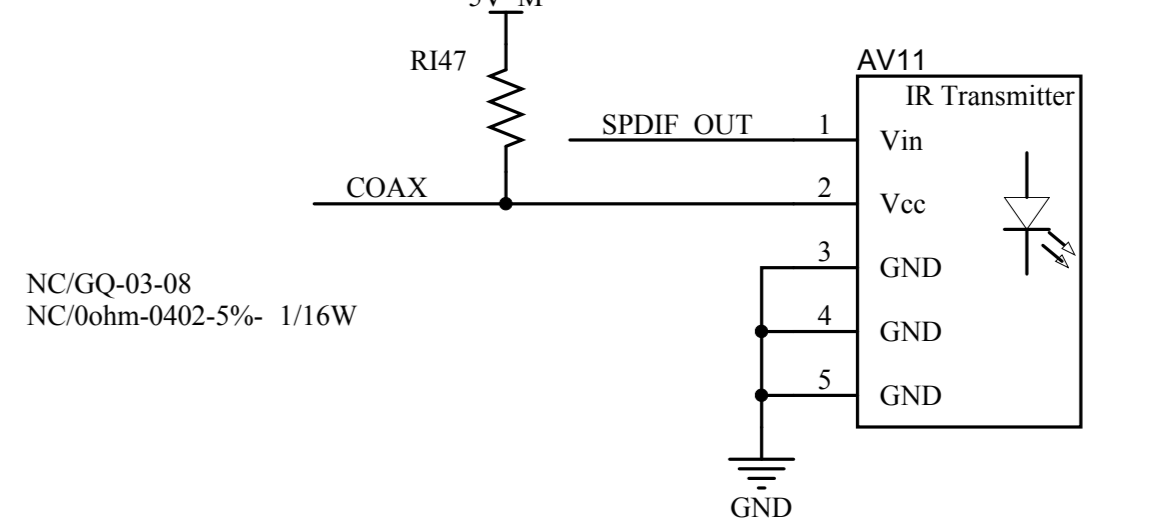
NC/RCA端子: RCA Jack,AV3,H,Yellow, White, Red,CH6.5,D14,Seal,DIP,RCA-338M-EP-01-S,CS
NC/00hm-0402-5%- 1/16W
NC/00hm-0402-5%- 1/16W
NC/00hm-0402-5%- 1/16W



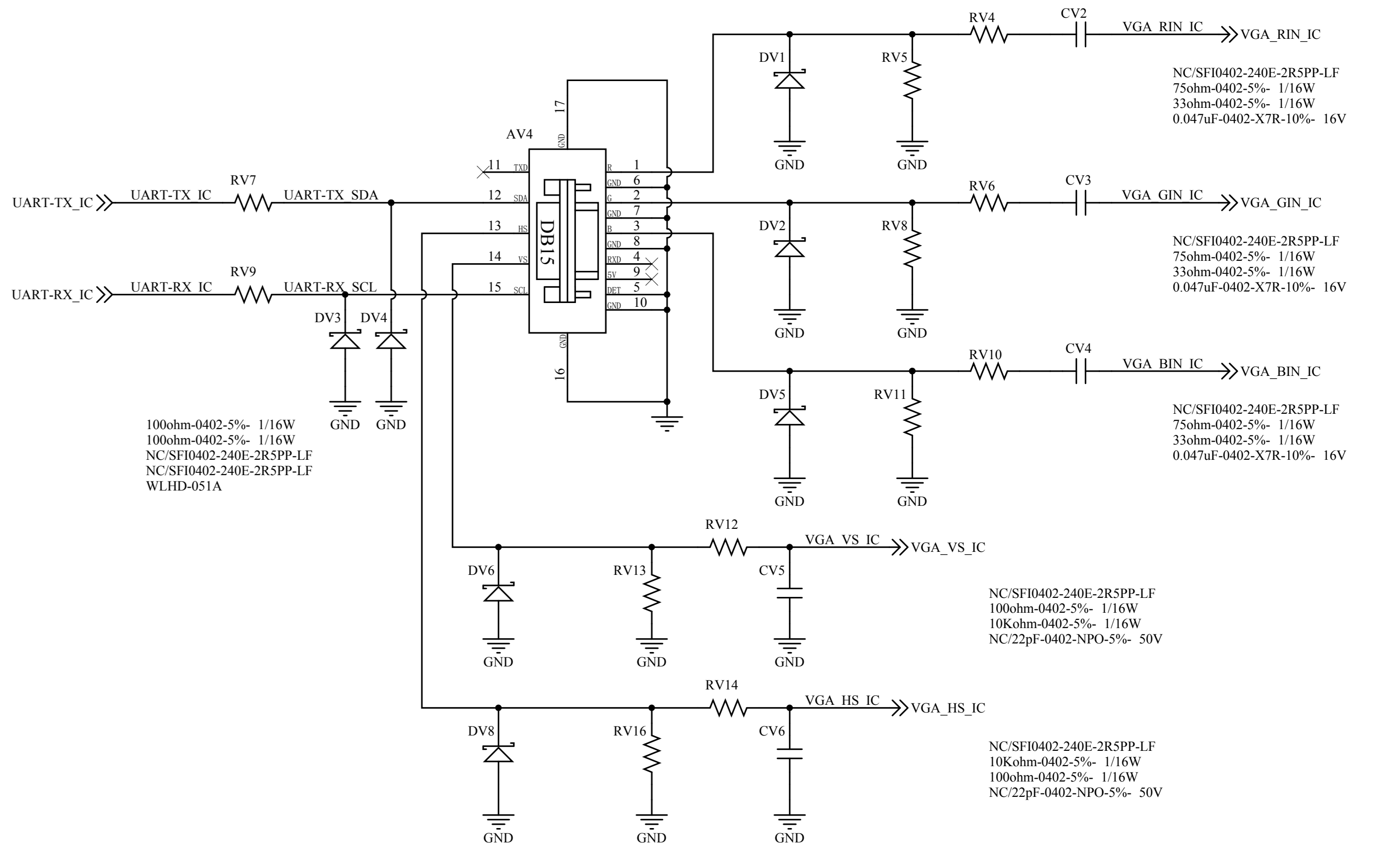
NC/RCA端子: RCA Jack,AV3,H,Yellow, White, Red,CH6.5,D14,Seal,DIP,RCA-338M-EP-01-S,CS



180ohm-0402-5%- 1/16W
33pF-0402-NPO-5%- 50V
NC/SF10402-240E-2R5PP-LF



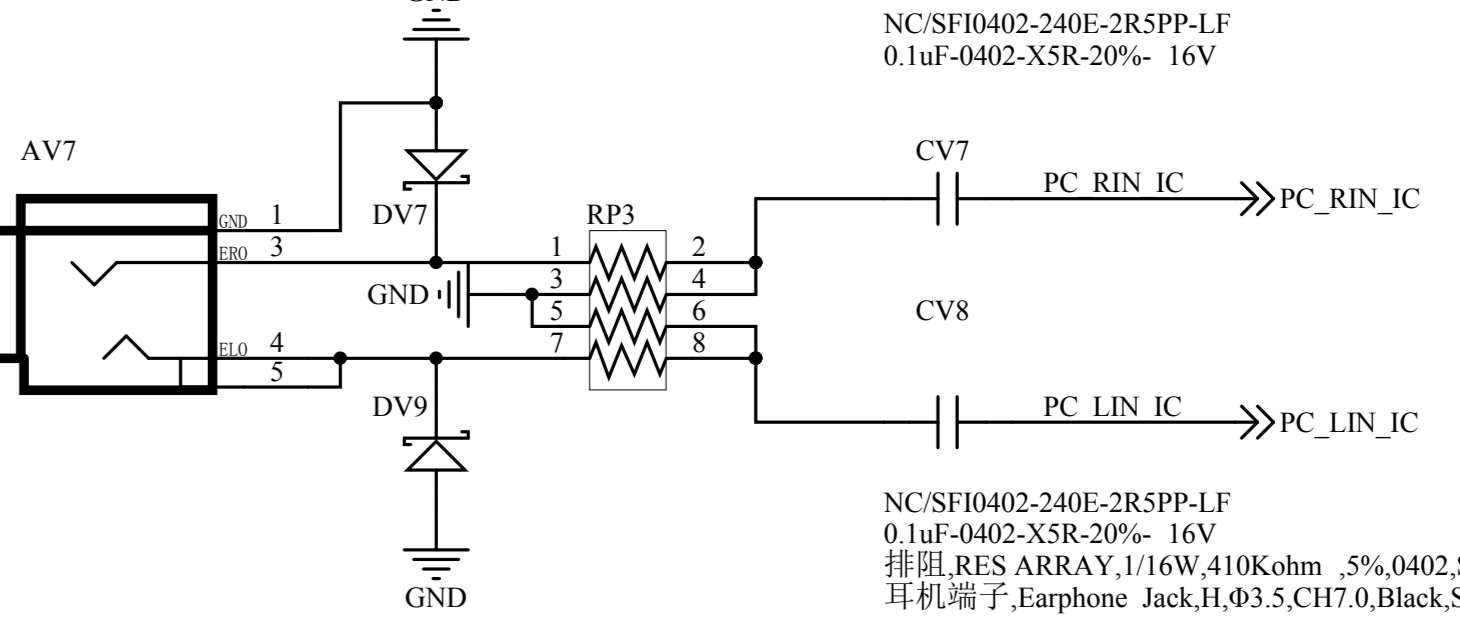
120ohm-0402-1%- 1/16W
0.1uF-0402-XSR-20%- 16V
330pF-0402-NPO-5%- 50V
RCA端子: RCA Jack,AV1,H,Orange,CH6.5,Seal,DIP,AV19-01S-0020,QS
NC/GQ-03-08
NC/00hm-0402-5%- 1/16W



100ohm-0402-5%- 1/16W
100ohm-0402-5%- 1/16W
NC/SF10402-240E-2R5PP-LF
WLHD-051A

NC/SF10402-240E-2R5PP-LF
100ohm-0402-5%- 1/16W
100ohm-0402-5%- 1/16W
10Kohm-0402-5%- 1/16W
NC/22pF-0402-NPO-5%- 50V

NC/SF10402-240E-2R5PP-LF
100ohm-0402-5%- 1/16W
100ohm-0402-5%- 1/16W
NC/22pF-0402-NPO-5%- 50V



NC/SF10402-240E-2R5PP-LF
0.1uF-0402-XSR-20%- 16V
NC/330pF-0402-NPO-5%- 50V
NC/330pF-0402-NPO-5%- 50V
NC/SF10402-240E-2R5PP-LF
0.1uF-0402-XSR-20%- 16V
耳机端子: Earphone Jack,H.03.5,CH7.0,Black,Seal,DIP,PJ7723-F03L3BY-C,YUQU

