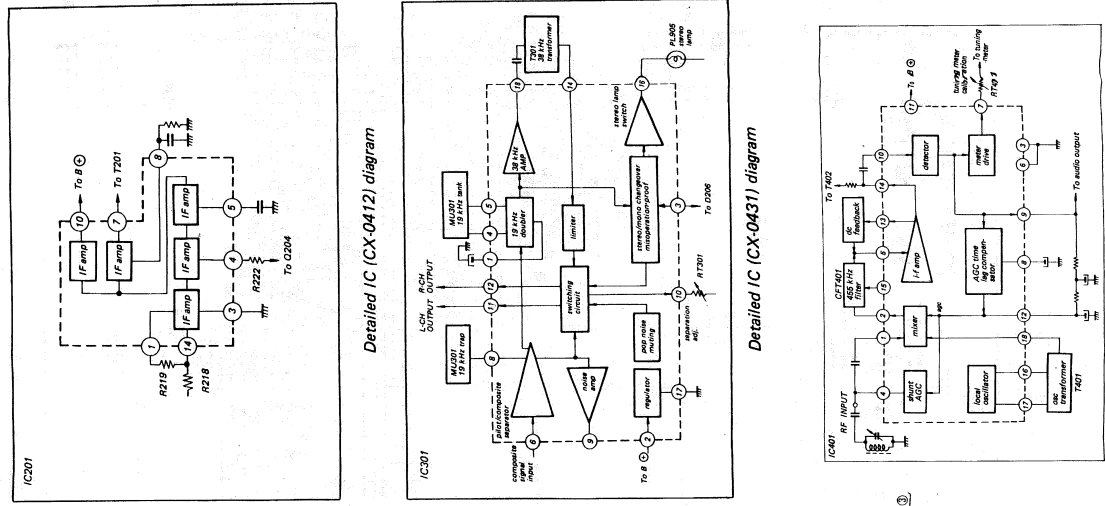
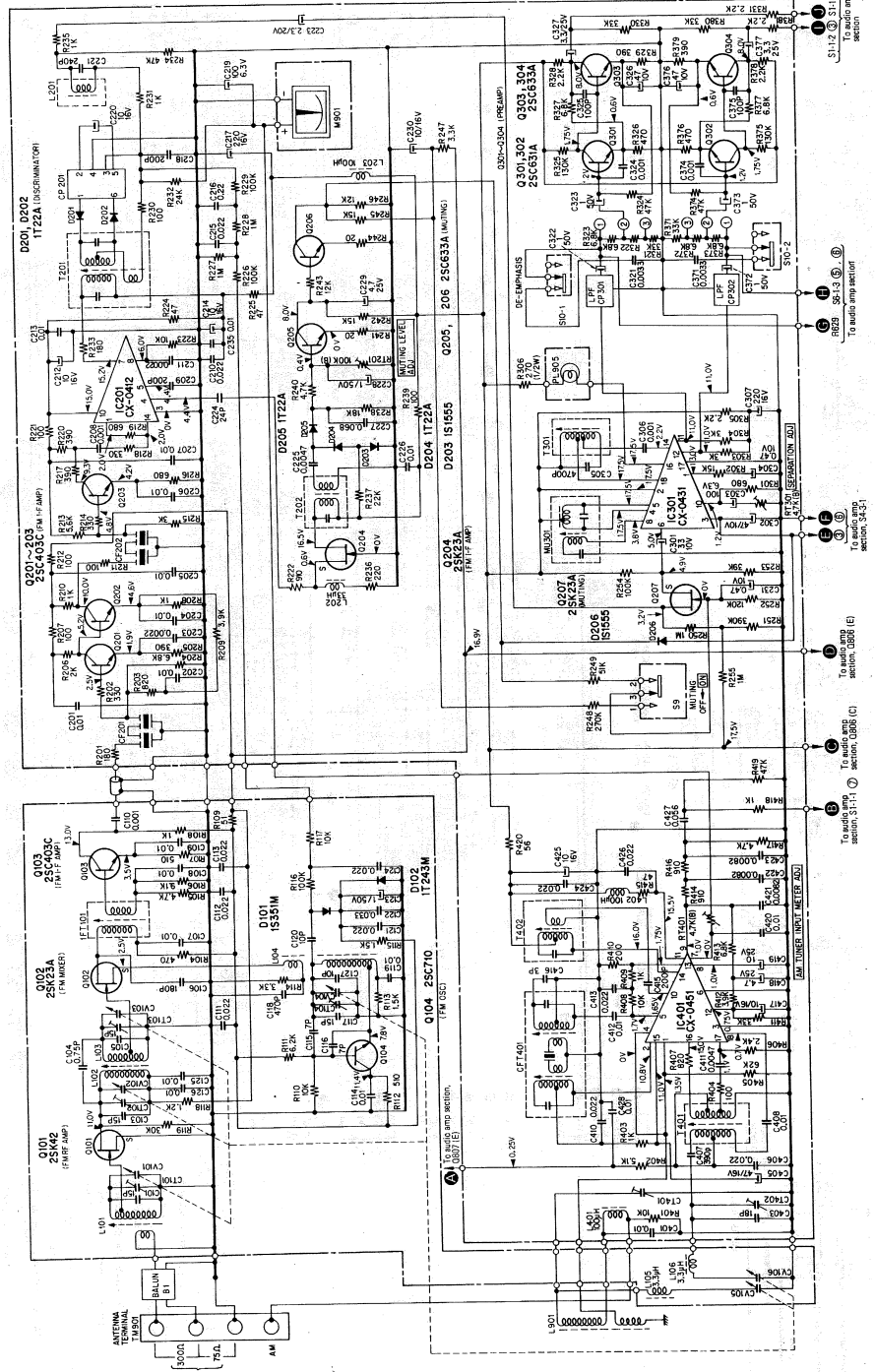


# STR-7055

## IC BLOCK DIAGRAM



5-5. SCHEMATIC DIAGRAM - Tuner Section -



Note:  
 All resistance values are in ohms. k = 1000, M = 1000 k.  
 All capacitance values are in μF except as indicated with p, which means pF.  
 Voltage variations may be noted because of normal production tolerances.  
 All voltages are dc measured with a VOM which has an input impedance of 20 k ohms/volt. No signal in.

Ref. No.	Description	Position
S9	MUTING switch	ON
S10	DE-EMPHASIS switch (50 μsec-75 μsec)	75 μsec

Detailed IC (CX-0412) diagram