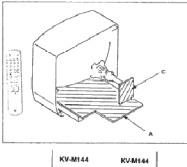
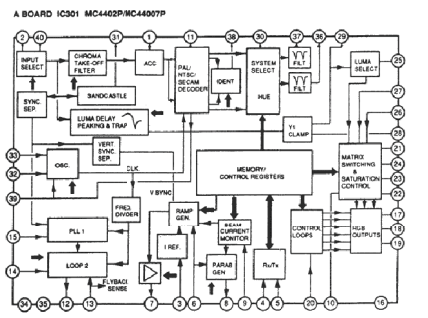
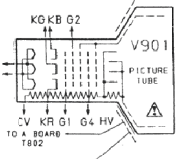
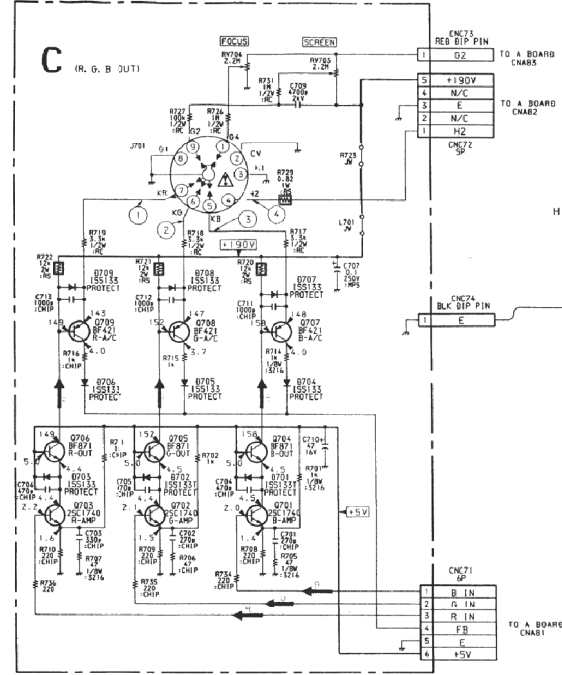
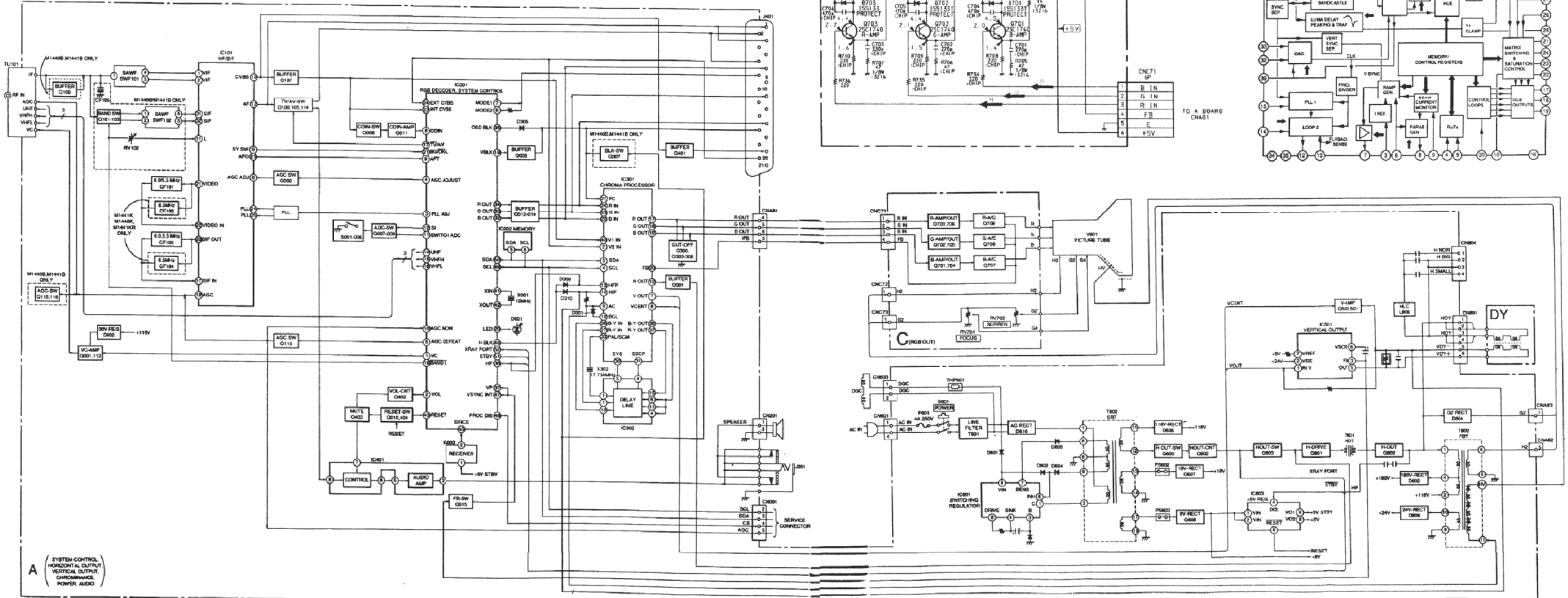


TRINITRON-COLOR TV
SONY BE-4 CHASSIS

MODEL	CONSUMER APP.	CHASSIS	MODEL	CONSUMER APP.	CHASSIS
KV-M1440A	TR-830	SONY-M44A	KV-M1441E	TR-830	SONY-M44B
KV-M1441A	TR-830	SONY-M44A	KV-M1440K	TR-830	SONY-M44B
KV-M1440B	TR-830	SONY-M44A	KV-M1441K	TR-830	SONY-M44B
KV-M1441B	TR-830	SONY-M44A	KV-M1441KR	TR-830	SONY-M44B
KV-M1440D	TR-830	SONY-M44A	KV-M1440L	TR-830	SONY-M44B
KV-M1441D	TR-830	SONY-M44A	KV-M1440U	TR-830	SONY-M44B
KV-M1440E	TR-830	SONY-M44A	KV-M1441U	TR-830	SONY-M44B

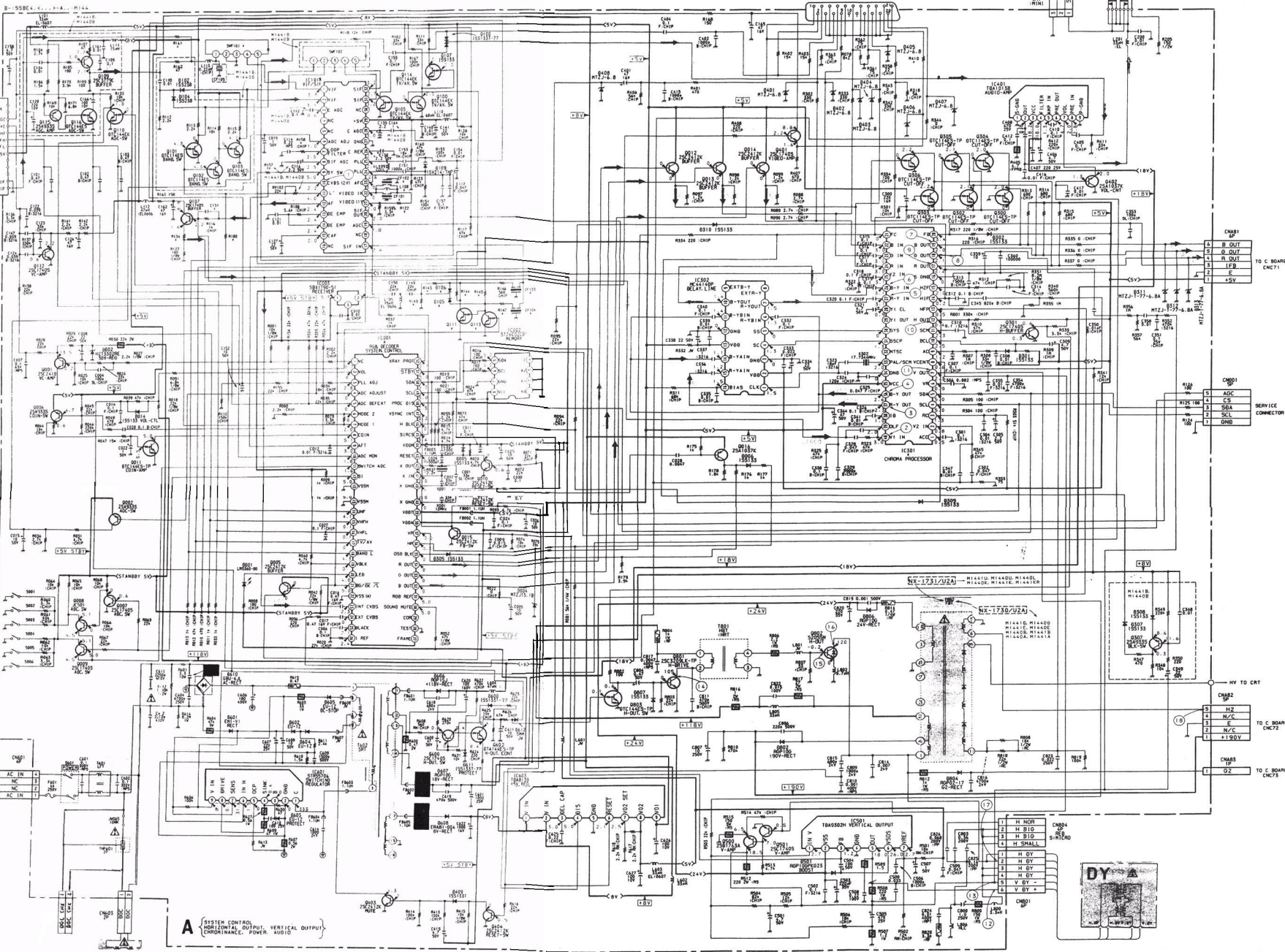


**SECTION 5
 DIAGRAMS**



A BOARD IC601 STR55706

A BOARD IC101 TD6800TDA812



- CHM1
 1 B OUT
 2 G OUT
 3 R OUT
 4 LFB
 5 +5V
 TO BOARD CK71

- CHM1
 1 ASC
 2 CS
 3 SBA
 4 SCL
 5 SMD
 SERVICE CONNECTOR

- CHM2
 1 H2
 2 N/C
 3 N/C
 4 +190V
 TO BOARD CK72

- CHM3
 1 TP
 2
 TO BOARD CK73

A SYSTEM CONTROL (IC601 STR55706)
 VIDEO PROCESSOR (IC500-IC599)
 AUDIO (IC600-IC601)
 POWER SUPPLY

