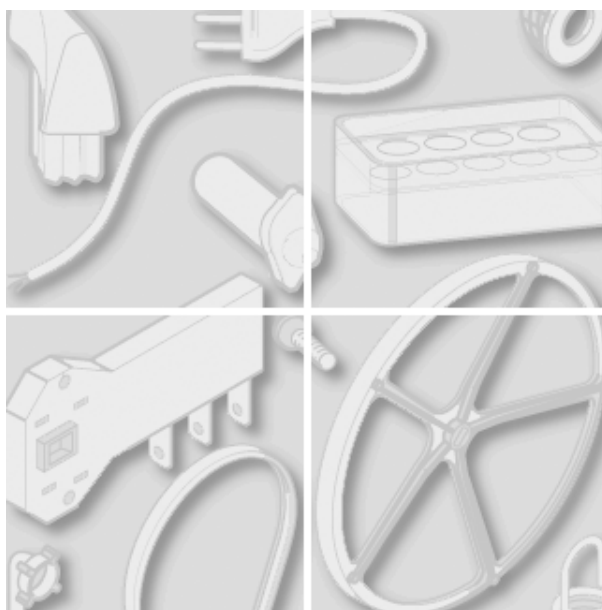


Merloni Elettrodomestici



Model type:
LSE830TEU

Commercial code:
23529

General notes

Technical Documentation guidelines

You can find herewith some generic information to simplify consulting of technical documentation:

1. Models of same range share the same exploded views, which report the richest set of spare parts: generally, a model does not necessarily have a related spare part for each particular shown on exploded views.

2. Some spare parts can not be represented directly on the exploded views (instruction booklets, specific kit, etc...). You can find those codes in the spare parts list with the same reference of particular where spares are installed or with references 099, 999. Instruction booklets, once managed, appear with 000 reference.

3. On the higher right site of each exploded view there is a serial number which indicates the beginning of the production of certain range: some models might have more than an exploded view for a given category, each distinguished by a different serial no. and linked to another spare parts list. In this case, serial no. is required to supply the right spare part code. Exploded view to be considered is the one with a more recent serial no. but previous than the one of the model that needs assistance.

4. Exploded views might require further updates even after publishing. Addition of new spares will go on following the already existing numeration references. Revision number of an exploded view is shown into last four digits of serial number into upper right hand corner.

5. The spare parts list associated to an exploded view shows related codes of spares managed for a certain model; for each spare part other informations are available:

REF: reference no of spare into a table; SUBSTITUTE: list of spare(s) which can replace a code but that keeps same functional characteristics

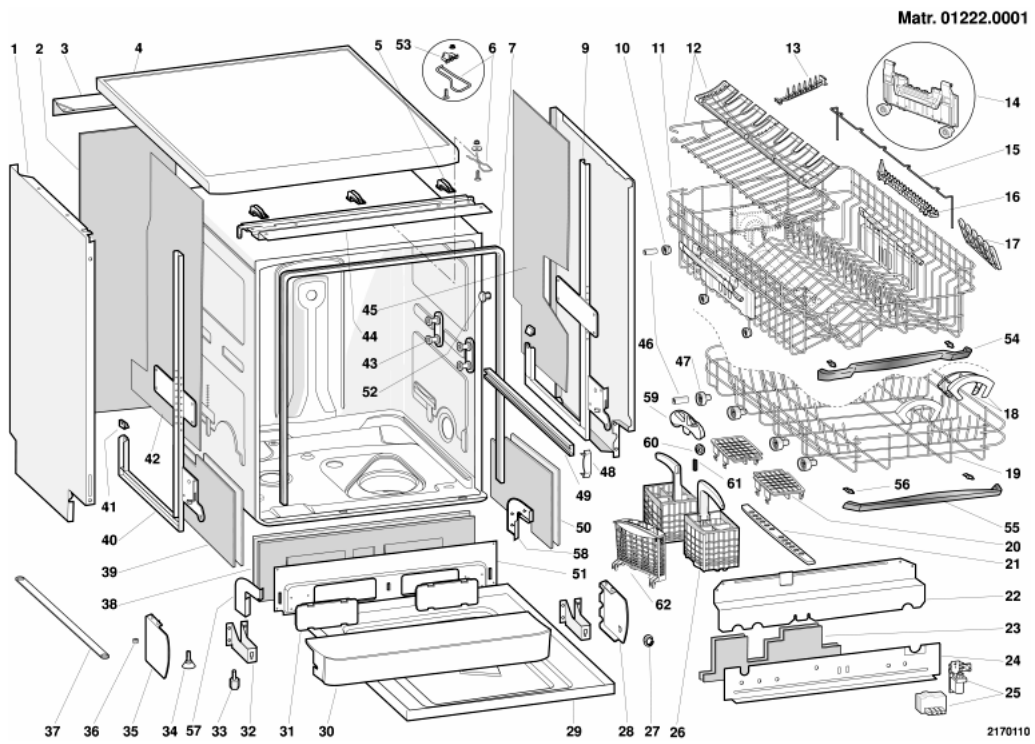
INDUSTRIAL CODE: list of variables of a model (shown into model label) where such spare is used; NOTICE: code of information(s) to refer to complete technical intervention, track for changes or to find correct spare part code.

6. Some notices, into a same section are generic therefore cannot be directly linked to a spare part. In order to assist a model in the best way as possible, it is helpful to pay attention to all notices and constantly verify documentation updates

7. Technical documentation cover shows model name and its commercial codes

pdf_tavola_title_ENG

cod. 2170110



Spare parts list

Spare parts list cod. 2170110

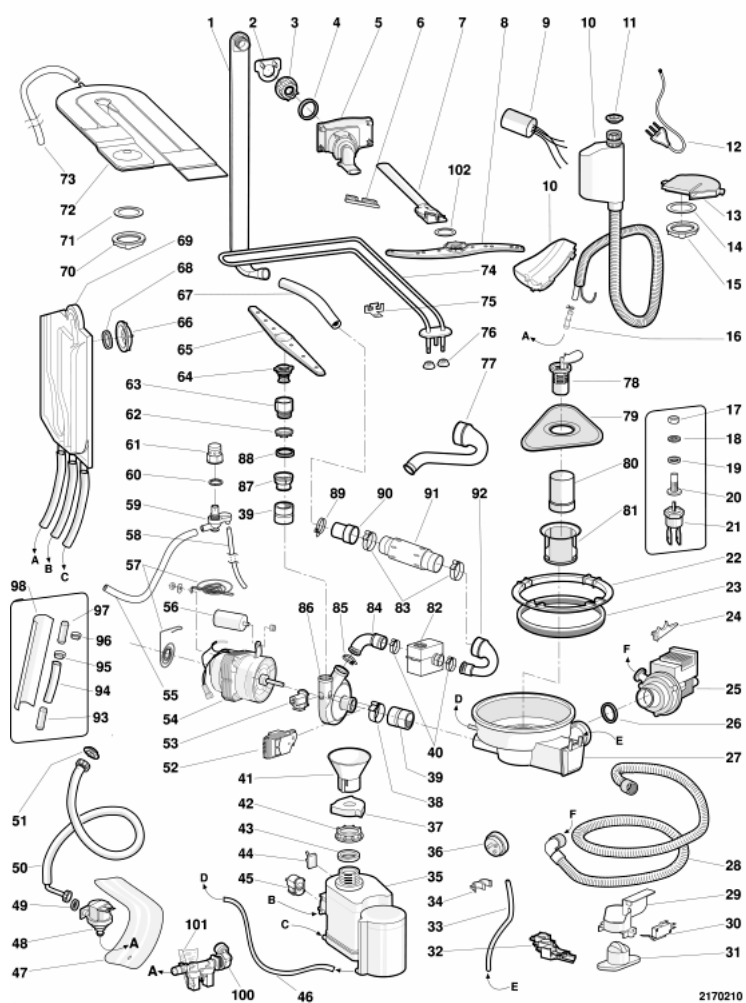
Ref.	Code	Substitute	Industrial code	Description	Notice
000	C00082560			instruction book gr-ru-gb-p-nl-tk	
001	C00092823	1 C00092833		left side panel lh white27	
001	C00092864			edge cover left	
002	C00075715			rear cover	
003	C00033591			rear support - top	
004	C00057509			worktop white 27	
005	C00057504			hook - top cover retention	
006	C00078613			catch plate (cabinet)	
007	C00075706	1 C00085019		door seal - top and sides	
008	C00092824	1 C00092833		right side panel white27	
008	C00092863			edge cover right	
009	C00054811			side support - front rh	
010	C00040994			roller - upper basket	
011	C00078867			upper basket 8/12	
012	C00078871			flap upper	
013	C00079243			adz block	
014	C00074844			set door handle	
015	C00079053			stripper runner	
016	C00079054			support,strip	
017	C00056438			flap upper basket 'ariston'	
018	C00048518			basket handle cover outer	
018	C00048519			basket handle cover inner	
019	C00057670			lower basket	

019	C00091694		-	
020	C00078869		wire shelfcutlery basket	
022	C00054810	1 C00091600	rear support - middle	
024	C00077007	1 C00770356	lower rear support aquastop	
025	C00076659		radio interference suppressor	
026	C00048517		cutlery basket ariston	
026	C00079067	1 C00075745	cutlery basket indesit	
027	C00054830		drain hose fastener	
028	C00054838		base moulding cover plate rhs	
029	C00061989	1 C00054874	tray kit	n1045062
029	C00092554		tray on bottom of tub 60cm	n1045062
030	C00057507		plinth panel swell white	
031	C00054833		top for front support	
032	C00056010		foot support x	
033	C00104611		adjustable foot - all plastic	
034	C00065836		adjustable front foot + screw nut	n1045062,N1045072
034	C00092555		foot 155mm lvs	n1045062,N1045072
035	C00054837		base moulding cover plate lhs	
036	C00040288		lock nut m4	
036	C00066632		fixing nut	
038	C00076390		front panel soundproofing	
039	C00076391		panel soundproofing lateral sx	
040	C00054812		side support - front lh	
041	C00066629		post piece	
042	C00076387		soundproofing lateral sx	
043	C00054836		kit runner support - upper	
044	C00079013		adjustment assembly for combinable spring	
045	C00076388		soundproofing lateral dx	
046	C00104638		upper basket roller axis	
047	C00056347		roller-lower basket	
048	C00040996		runner stop - upper basket	
049	C00077001		basket runner - upper	
050	C00076392		panel soundproofing lateral dx	
051	C00091599		front support lower 60cm	

pdf_tavola_title_ENG

cod. 2170210

Matr. 40109.0001



Spare parts list

Spare parts list cod. 2170210

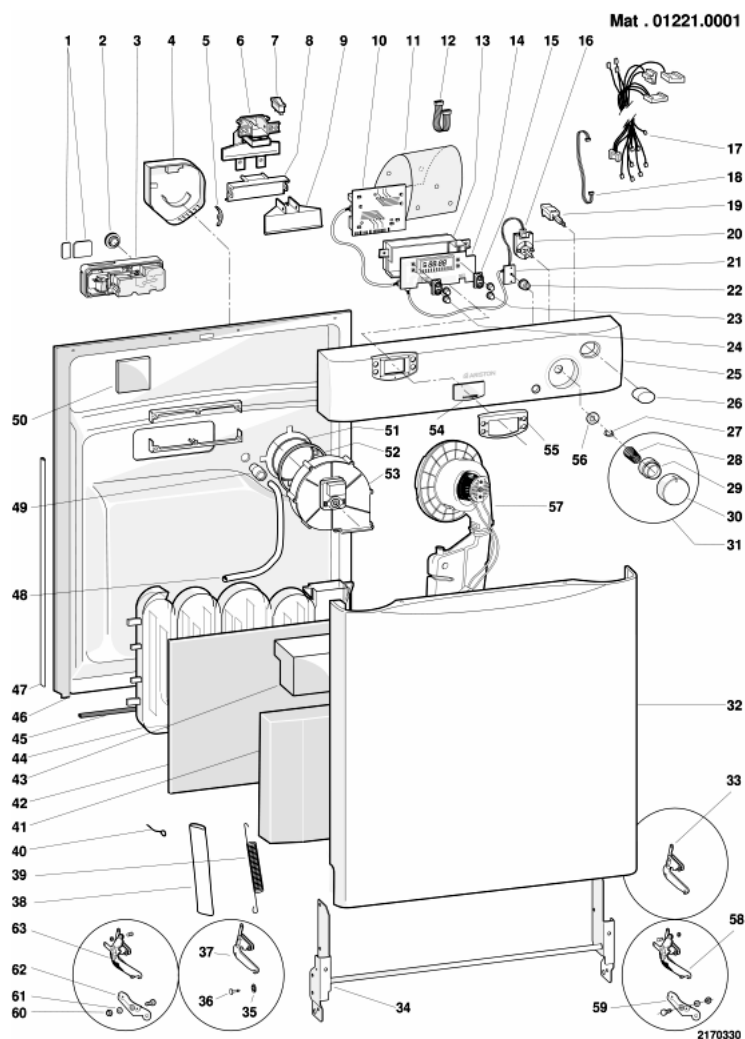
Ref.	Code	Substitute	Industrial code	Description	Notice
001	C00056001			upper wash arm feed pipe	
002	C00054925			rack guide casing	
003	C00054862			ring-nut fasten.external hose top sprayar	
004	C00075686			jet gasket (31.42x2.62)	
005	C00054871	1 C00094134		water supply distribution assembly	
006	C00056342			steel pin fixing upper wash arm feed pipe	
007	C00054926			upper wash arm feed pipe	
008	C00075746			set upper wash arm curved	
009	C00041092			radio interference suppressor	
010	C00037207			inlet hose std antioverflow l 1930 mm	
010	C00038498			inlet hose long antioverflow l.4090mm	
011	C00048941			sealing washer + filter	
012	C00076658	1 C00083706		supply cable	
015	C00054927			ring-nut for air-flow body	
016	C00037210			connection spout - overflow unit	
022	C00054854			sump fixing ferrule	
023	C00054828			gasket - sump fixing ring	
024	C00078394			suport suction oven bottom	
025	C00054843	1 C00090537		drain pump v 230 50hz	
026	C00054917			seal 'o'ring (23,81x2,62)	
027	C00054870			set sump	
028	C00054869			drain hose	
029	C00081162			container - overflow unit	

030	C00037205		microswitch
031	C00058843		float - overflow unit
032	C00054986		set thermistor
032	C00058002	1 C00054986	support bracket - thermostat
033	C00066470		tube 620mm - pressure switch
034	C00076622		wheelpressure switch hose
035	C00044543	1 C00041484	softener + ev
036	C00054841	1 C00063834	pressure switch 1 level
037	C00041088		salt cap
038	C00073917		clamp cima na-929-m
039	C00079016		suction motor
041	C00005819		salt funnel
042	C00041090		retaining ring - softener
043	C00103610		seal - softener/wash chamber
044	C00043737		switch - salt light (eledro)
045	C00033618		electrovalve (water softener)
046	C00054868		tube - softener/sump l.(480mm)
052	C00077172		motor washing alternating
054	C00078566		wash motor/pump assy 220v- held
056	C00105360		capacitor 5mf
057	C00076628		tub spring
058	C00079385		overflow hose
059	C00080518		container connection overflow
060	C00075695		connection gasket overflow
061	C00075726		bodytop overflow
062	C00075057	1 C00075111	cap corner for support washing blade hub
063	C00066643	1 C00075111	support - lower wash arm bush
064	C00066642	1 C00075111	ring-nut for fastening bottom spacer ring
065	C00075108		lower wash arm inox 60cm
068	C00103689	1 C00084600	jet gasket
069	C00054866		water inlet air break
078	C00054863		central filter basket/retainer
079	C00054851		outlet filter stainless
080	C00081164		filter cylindrical
081	C00061929		outer fine rotating filter polyester
082	C00077173		kit sensor turbidity
082	C00087340	1 C00091523	box sensing troubled kit x bit 100

083	C00077010		clamp washing heating element	
084	C00078422	1 C00091568	hose - pump/tube	n1045058
085	C00075879		clamp	
086	C00076138	1 C00088889	pump cover	
087	C00054850	1 C00093752	ring-nut for fastening bottom spacer ring	n1045063
088	C00054915		seal 'o'ring (32,99x2,62)	n1045063
090	C00057711		suction oven bottom	
091	C00057684		washing heating element 2000w 60cm	
092	C00078420	1 C00091568	suction sensor oven bottom/tube	n1045058
099	C00040562	1 C00084479	hose clamp	
099	C00075678		hose clamp d.17	
099	C00076515	1 C00074713	heat trasmitter paste	
102	C00098769		gasket upper wash arm	

pdf_tavola_title_ENG

cod. 2170330



Spare parts list

Spare parts list cod. 2170330

Ref.	Code	Substitute	Industrial code	Description	Notice
002	C00051754	1 C00051755		plug	
003	C00075748			detergent + rinseaid electrodispenser	
004	C00048511			outer cover - condenser suction fan	
005	C00048191			suction unit fixing block	
006	C00078609			locking assembly	
008	C00057514			plinth cover lid handle	
010	C00080947	1 C00077139		card delay timer diwa 123-16k	
011	C00078423			timer protection	
012	C00079251			cabler cangeower timer 4vie l=150	
014	C00079248			display-start	
017	C00082556			wiring harness assembly diwa 123-16k	n1045055,n1045055
017	C00089107			wiring harness	n1045055,n1045055
019	C00053402			pushbutton switch on/off	
020	C00078582			8 functions selector	
022	C00079245			push-button start	
023	C00078580			push-button knob white 27	
024	C00079247			push-button knob grey	
025	C00082563			dashboard set white 27	n1045052
025	C00083060			dashboard lse830	n1045052
026	C00079246			push-button on-off	
028	C00040221			spring push-push	
029	C00039473			knob mechanism push-push	
030	C00057630			timer knob b27	

031	C00057638		timer knob assembly b27 + push-push	
032	C00057501		white door shell bowed l=588	n1045052
032	C00083322		white door shell bowed l=582	n1045052
033	C00065127	1 C00054815	hinge item, right	
034	C00054818	1 C00096996	hinge assembly	
035	C00058776		washer d = 6 mm	
036	C00048504		hinge pin	
037	C00065128	1 C00054817	hinge item, left	
039	C00075689		door spring	
040	C00075693		gaffel x door spring	
041	C00066723		door spacer assy	
044	C00048201	1 C00048194	suction condenser unit 'lv12-863mi'	
045	C00075690	1 C00091543	cabinet gasket	
046	C00082553		inner door panel stainless	n1045052
046	C00086782		inner door l=582	n1045052
047	C00054827		side strip for door l=435	
047	C00082457		sponge	
048	C00048159		hose - condenser/door	
049	C00036993		bush	
051	C00078874		gasket or 107x1.78	
052	C00048161		seal - condenser suction fan/door	
053	C00058975	1 C00048194	suction fan unit - condenser	
054	C00079258		white display control panel	
055	C00079259		frame white display control panel	
056	C00049534		spacer x timer	
099	C00040005	1 C00033026	grease amblyg ta 1 gr.	
099	C00065862		screw stainless 3,5x8 door liner dishwash	
099	C00076108		screw x canoe klip	
099	C00077438		self-tapping galvanized screw sw 3.5x14tm	
099	C00082166		rivet	

Notices

n1045011

Replacement of hidden heating element.

Should the hidden heating element part no. 057684 have to be replaced, follow the instructions as indicated in the following diagrams:

1) NT001200

POS.1 - Line up the two reference protrusions situated on the rubber sleeve, corresponding with the red line.

POS.2 - Red Line.

POS.3 - Connect the sleeve to the pipe.

POS.4 - Connect the sleeve to the motor.

N.B. The two rubber protrusions should rest on the bottom.

2) NT001300

Fit the heating element as indicated the diagram, with the heating element terminal board positioned towards the connection to the motor (POS.5).

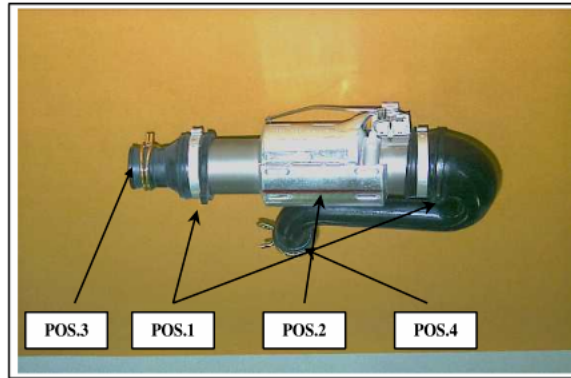
3) NT001400

WARNING

With the drainage pump fitted, make sure the drainage pipe does not rest onto the cabinet, so as to prevent it from getting any holes in it due to the slackening over time of the corrugated pipe.

n1045017

New pressure switches and pipes.



Beginning with serial no. 00116.0001, instead of the pressure switch part no. 054841 and the pressure switch pipe part no. 054829, the part no. 063834 already employed on 45 cm appliances and part no. 066470 are used respectively on 60 cm Washing machines manufactured at the None factory.

With the only exception of models LSI61 and LSI61A, fitted with a hide-away electro-mechanical timer, where the pressure switch part no. 056476 must absolutely be fitted (mod. Elbi 120mm).

Should the float come into operation during functioning on pre-modification appliances, then both the pressure switch and the pressure switch pipe should be replaced, using the new parts.

In order to avoid any errors in the use of the part no. 054841, it was eliminated from documentation, whereas a kit is handled with part no. 063834, that is composed of both the pressure switch and the pipe.

n1045019

Heat-conducting paste for NTC contact improvement.

In order to make the contact between NTC and tub easier, the heat-conducting paste code no. 041214 part number 6S040002 already being handled should be used.

n1045030

Faraday cage for salt sensor indicator. 45cm Models.

The Faraday cage has been coded as the means to eliminate those instances where the salt indicator remains on, Spare Part Code : 077080.

The Faraday cage is to be considered as an exclusive intervention for the 45cm models.

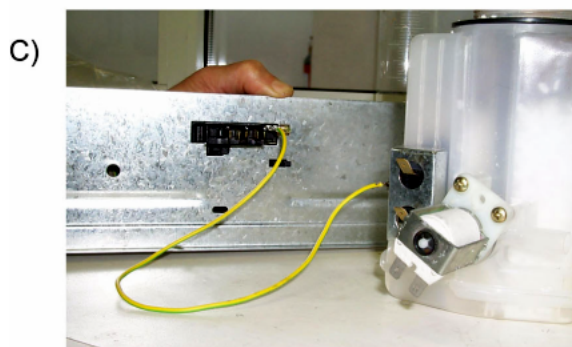
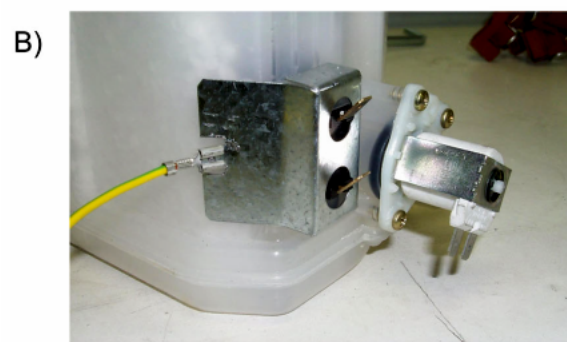
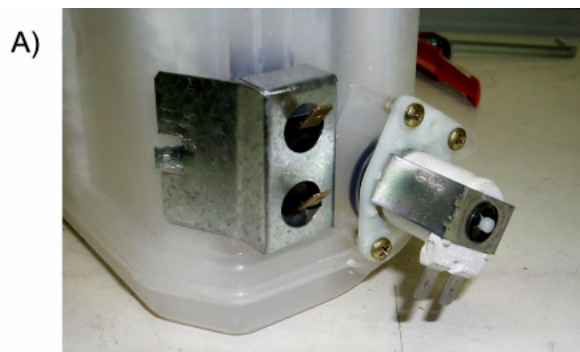
The Faraday cage protects the salt indicator from eventual electromagnetic disturbances and must be mounted as per the following indications :

A) Arrange the Faraday cage on the salt container sensor.

B) Insert the earth cable on the cage.

C) Insert the earth cable to the general clamp.

For assembly closely follow the photographic documentation in the NT003400 design.



n1045033

Kit of adjustable feet for dishwashers LVS2000, 140 mm high.

In order to cope with the increasingly frequent demand from furniture manufacturers, new 14 cm height-adjustable feet are being used on dishwashers LVS2000.

Moreover, a kit of adjustable feet has been made available which allows the worktop to be adjusted to a height of up to nine centimetres.

Spare part number of the Kit:

066655 KIT OF ADJUSTABLE FEET H.140

Spare part numbers for each individual foot:

066653 ADJUSTABLE FOOT WITH NUT H.140 MM

074435 ADJUSTABLE FOOT H=140 MM.

n1045034

New top condenser.

As of the last week in July 2000, the new "Wind drying system" was inserted on some appliances from the new MarckII Range.

This new system foresees the elimination of the lateral air-flow body and the insertion of a new system with top condenser.

The spare part numbers eliminated are as follows:

054927 - RING NUT FOR AIR-FLOW BODY

054928 - AIR-FLOW BODY

103689 - NOZZLE GASKET

057874 - TOP SOUNDPROOFING LAYER

Whereas the new spare part numbers are:

076238 - WIND DRYNG SYSTEM CONDENSER

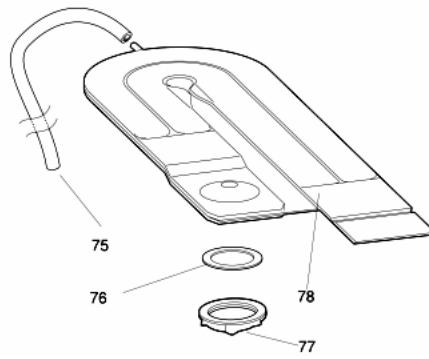
076239 - CONDENSER RING NUT

076240 - TOP CONDENSER GASKET

076241 - TOP CONDENSER PIPE

The new part numbers are not interchangeable with the old ones, as they are completely different. See technical drawing attached to notice NT002500.

77 - 076239
 78 - 076238
 75 - 076241
 76 - 076240



n1045052

Width reduction from 588 to 582 mm(3)

The introduction of new, narrower external doors has involved the introduction of new panel codes with narrower guide slots and new, narrower inner doors.

The new replacements for the external doors, inner doors and panels are 582mm wide, whereas the premodification items are 588mm wide.

In not being interchangeable, the new system must be managed with the new and the old with the old.

Given below is a list of the models (with commercial code in brackets) with modification introduction serial numbers and relevant replacements:

LSE615SP (25723)

Serial no. 10607.0001

Panel: old 082572 - new 083097

Inner door: old 078589 - new 087854

External door: old 057501 - new 83322

LSE620TANEU (24948)

Serial no. 10607.0001

Panel: old 082610 - new 083096

Inner door: old 078589 - new 087854

External door: old 077317 - new 087834

LSE610EU (23438)

Serial no. 10706.0001

Panel: old 082430 - new 083095

Inner door: old 054931 - new 083324

External door: old 057501 - new 083322

L73NDUO (24559)

Serial no. 10704.0001

Panel: old 079111 - new 083094

Inner door: old 078589 - new 087854

External door: old 077317 - new 087834

LSE620FR (23445)

Serial no. 10608.0001

Panel: old 079082 - new 083092

Inner door: old 078589 - new 087854

External door: old 057501 - new 083322

LSE610FR (25443)

Serial no. 10607.0001

Panel: old 082019 - new 083093

Inner door: old 078589 - new 087854

External door: old 057501 - new 083322

L73WDUO (23450)

Serial no. 10616.0001

Panel: old 079062 - new 083087

Panel: old 078589 - new 087854

External door: old 057501 - new 083322

LSE730TEU (23525)

Serial no. 10604.0001

Panel: old 082432 - new 083090

Inner door: old 078589 - new 087854

External door: old 057501 - new 083322

LSE730FR (23534)

Serial no. 10606.0001

Panel: old 078581 - new 083086

Inner door: old 078589 - new 087854

External door: old 057501 - new 83322

LSE732FR (23535)

Serial no. 10625.0001

Panel: old 079107 - new 083088

Inner door: old 078589 - new 087854

External door: old 057501 - new 083322

LSE620AEU (23440)

Serial no. 10703.0001

Panel: old 082040 - new 083083

Inner door: old 078589 - new 087854

External door: old 057501 - new 083322

LSE620TEU (23447)

Serial no. 10607.0001

Panel: old 082548 - new 083084

Inner door: old 078589 - new 087854

External door: old 057501 - new 083322

L62WE (23449)

Serial no. 10607.0001

Panel: old 079384 - new 083081

Inner door: old 054931 - new 083324

External door: old 057501 - new 083322

LSE620TK (23495)

Serial no. 10607.0001

Panel: old 082020 - new 083082

Inner door: old 054931 - new 083324

External door: old 057501 - new 083322

LS2040UK (16884)

Serial no. 10915.0001

Panel: old 058590 - new 083065

Inner door: old 054931 - new 083324

External door: old 057501 - new 083322

LS2020A (16812)

Serial no. 10604.0001

Panel: old 058670 - new 083068

Inner door: old 054931 - new 083324

External door: old 057501 - new 083322

LS2020UK (16880)

Serial no. 10607.0001

Panel: old 058670 - new 083068

Inner door: old 054931 - new 083324

External door: old 057501 - new 083322

LS2020AAUS/1 (18672)

Serial no. 10604.0001

Panel: old 058670 - new 083068

Inner door: old 054931 - new 083324

External door: old 057501 - new 083322

AF250 (25087)

Serial no. 10616.0001

Panel: old 080711 - new 083070

Inner door: old 054931 - new 083324

External door: old 057501 - new 083322

LS600TK (23493)

Serial no. 10711.0001

Panel: old 080733 - new 083074

Inner door: old 054931 - new 083324

External door: old 057501 - new 083322

L52IT (23444)

Serial no. 10629.0001

Panel: old 080407 - new 083075

Inner door: old 054931 - new 083324

External door: old 057501 - new 083322

LS62AG (23516)

Serial no. 10611.0001

Panel: old 082577 - new 083076

Inner door: old 054931 - new 083324

External door: old 057501 - new 083322

LS620TK (23494)

Serial no. 10606.0001

Panel: old 080730 - new 083077

Inner door: old 054931 - new 083324

External door: old 057501 - new 083322

LS63050-60EX (23506)

Serial no. 10723.0001

Panel: old 082491 - new 083080

Inner door: old 054931 - new 083324

External door: old 057501 - new 083322

LS630115-60EX (23504)

Serial no. 10604.0001

Panel: old 082491 - new 083080

Inner door: old 054931 - new 083324

External door: old 057501 - new 083322

LSE830TEU (23529)

Serial no. 10627.0001

Panel: old 082563 - new 083060

Inner door: old 082553 - new 086782

External door: old 057501 - new 083322

L83WDUO (23532)

Serial no. 10630.0001

Panel: old 079257 - new 083059

Inner door: old 082553 - new 086782

External door: old 057501 - new 083322

See figure NT 006900.

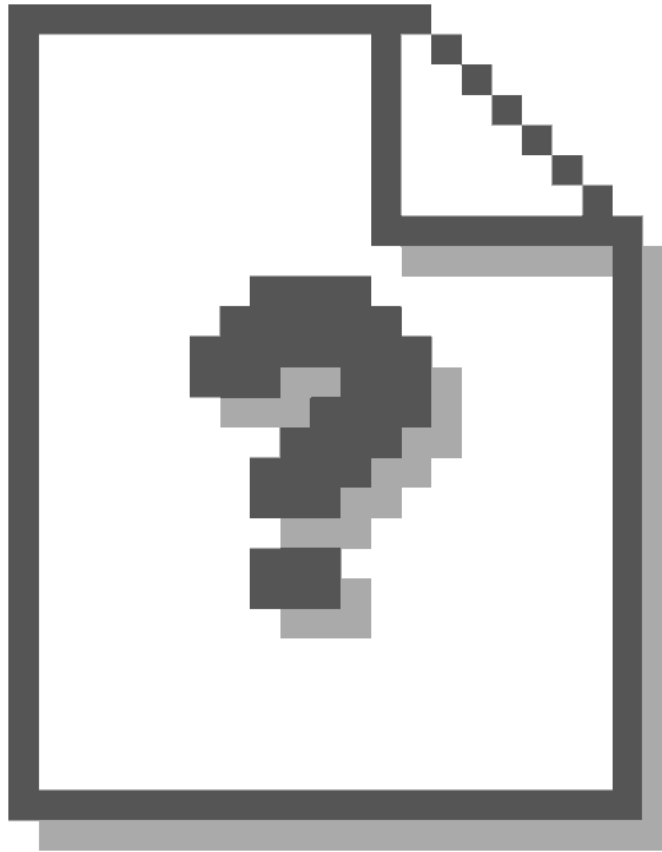
n1045055

New turbidity sensors and wiring

All dishwasher models affected by this modification have been equipped with new turbidity sensors, wiring and electrical circuit.

As regards the turbidity sensor, new sat code 087340 replaces the old sat code 077173.

The following is a list of affected models, serial numbers for new parts, wiring and electrical circuits for respective models.



Models:

- LSE732FR commercial code 23535

Serial number 20321.0001

New wiring 089073 replaces old 079145

New electrical circuit 16001317901

- L83WDUO commercial code 23532

Serial number 20319.0001

New wiring 089107 replaces old 082556

New electrical circuit 16001301201

- L83XDUO commercial code 23533

Serial number 20325.0001

New wiring 089107 replaces old 082556

New electrical circuit 16001301201

- LSE830STEU commercial code 23529

Serial number 20321.0001

New wiring 089107 replaces old 082556

New electrical circuit 16001301201

- LVI12-52IX commercial code 23476

Serial number 20318.0001

New wiring 088277 replaces old 078432

New electrical circuit SE108600

- LVI12-52WH commercial code 23474

Serial number 20318.0001

New wiring 088277 replaces old 078432

New electrical circuit SE108600

- LVI12-52AN commercial code 23475

Serial number 20318.0001

New wiring 088277 replaces old 078432

New electrical circuit SE108600

- LVTI12-62IX commercial code 23484

Serial number 20318.0001

New wiring 088283 replaces old 080553

New electrical circuit se108700

- LV67DUOAN commercial code 26569

Serial number 20318.0001

New wiring 089071 replaces old 086632

New electrical circuit 16001399805

- LV67DUOALU commercial code 26629

Serial number 20318.0001

New wiring 089071 replaces old 086632

New electrical circuit 16001399805

- LV67DUOIX commercial code 26492

Serial number 20318.0001

New wiring 089071 replaces old 086632

New electrical circuit 16001399805

- LI67DUO commercial code 26551

Serial number 20318.0001

New wiring 089070 replaces old 088875

New electrical circuit 16001401703

- LI67DUONL commercial code 27522

Serial number 20318.0001

New wiring 089070 replaces old 088875

New electrical circuit 16001401703

- LI68DUOIX commercial code 26590

Serial number 20318.0001

New wiring 090253 replaces old 086633

New electrical circuit SE106300

- LI68DUOUK commercial code 27249

Serial number 20318.0001

New wiring 090253 replaces old 086633

New electrical circuit SE106300

- LV68DUOIXUK commercial code 27255

Serial number 20318.0001

New wiring 089069 replaces old 080715

New electrical circuit 16001385301

- LV68DUOIX commercial code 26383

Serial number 20318.0001

New wiring 089069 replaces old 080715

New electrical circuit 16001385301

- LI48A commercial code 27246

Serial number 20318.0001

New wiring 089068 replaces old 087809

New electrical circuit 16001445403

n1045062

Introduction of a new DW EVO structure

From serial number 30101.0001, all dishwasher models affected by this modification have been produced with EVO structure. These models have been equipped with NEW TRAYS AND NEW FEET (see N1045062TAB1).

The structure for SCANDINAVIA models is indicated below:

COMMERCIAL CODE 28490-26043-23520-28088:

PREMODIFICATION:

Tray: 083625 (for commercial code 28490) 078809 (for commercial codes 26043-23520-28088);

Tray rear feet: 078396-078397-078385;

Tray front feet: 073972;

Front feet supports: 065836;

Feet supplied with plinth accessories assembly: 034261;

EVO STRUCTURE:

Tray: 092558 (for commercial code 28490) 092554 (for commercial code 26043-23520-28088);

Tray rear feet: 092820-092821-092822;

Tray front feet: 092555;

Front feet supports: 065836;

Feet supplied with plinth accessories assembly: 034261.

COMMERCIAL CODE 25117:

PREMODIFICATION:

Tray: 061991;

Tray feet: 073972;

Feet supplied with plinth accessories assembly: 034261;

EVO STRUCTURE:

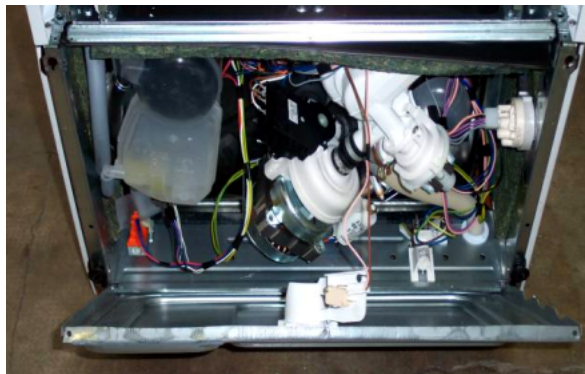
Tray: 092554;

Tray feet: 092555;

Feet supplied with plinth accessories assembly: 034261.

Photo N1045062FIG1 illustrates the bottom of the dishwasher with EVO structure.

Regulation assembly DX/SX Sat codes 078397 and 078396 will be managed up to stock end, after that they will be replaced by new Sat codes 092821 and 092820. The same is for rear foot Sat code 078385 which will be replaced by Sat code 092822.



N1045072

Introduction of fixed rear foot H=31mm on free-standing models.

From serial no. 40218.0001, free-standing dishwashers affected by this modification have been equipped with new fixed rear feet (H=31mm).

The new foot replaces the adjustable one (H=155mm) Service code 092555; on the EVO3 range with TurboDry the new foot replaces the adjustable foot (H=95mm) Service code 094605.

The Spare Part Warehouse will continue to manage only 155mm and 95mm adjustable feet as they are interchangeable with the fixed 31mm foot.

The three feet are shown in illustration N1045072FIG1.

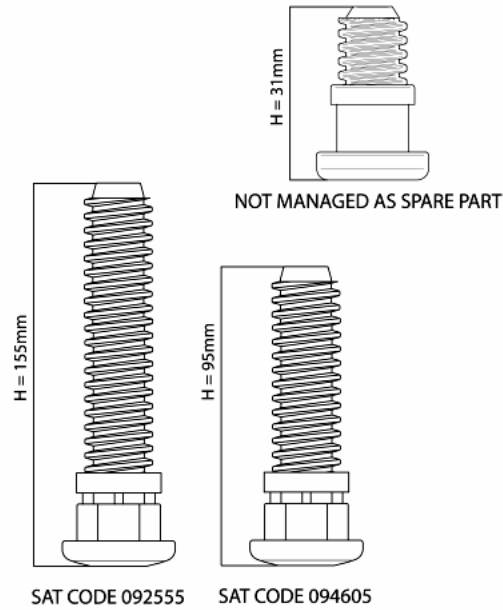
n1045052

Width reduction from 588 to 582 mm(3)

The introduction of new, narrower external doors has involved the introduction of new panel codes with narrower guide slots and new, narrower inner doors.

The new replacements for the external doors, inner doors and panels are 582mm wide, whereas the premodification items are 588mm wide.

N1045072FIG1



In not being interchangeable, the new system must be managed with the new and the old with the old.

Given below is a list of the models (with commercial code in brackets) with modification introduction serial numbers and relevant replacements:

LSE615SP (25723)

Serial no. 10607.0001

Panel: old 082572 - new 083097

Inner door: old 078589 - new 087854

External door: old 057501 - new 83322

LSE620TANEU (24948)

Serial no. 10607.0001

Panel: old 082610 - new 083096

Inner door: old 078589 - new 087854

External door: old 077317 - new 087834

LSE610EU (23438)

Serial no. 10706.0001

Panel: old 082430 - new 083095

Inner door: old 054931 - new 083324

External door: old 057501 - new 083322

L73NDUO (24559)

Serial no. 10704.0001

Panel: old 079111 - new 083094

Inner door: old 078589 - new 087854

External door: old 077317 - new 087834

LSE620FR (23445)

Serial no. 10608.0001

Panel: old 079082 - new 083092

Inner door: old 078589 - new 087854

External door: old 057501 - new 083322

LSE610FR (25443)

Serial no. 10607.0001

Panel: old 082019 - new 083093

Inner door: old 078589 - new 087854

External door: old 057501 - new 083322

L73WDUO (23450)

Serial no. 10616.0001

Panel: old 079062 - new 083087

Panel: old 078589 - new 087854

External door: old 057501 - new 083322

LSE730TEU (23525)

Serial no. 10604.0001

Panel: old 082432 - new 083090

Inner door: old 078589 - new 087854

External door: old 057501 - new 083322

LSE730FR (23534)

Serial no. 10606.0001

Panel: old 078581 - new 083086

Inner door: old 078589 - new 087854

External door: old 057501 - new 83322

LSE732FR (23535)

Serial no. 10625.0001

Panel: old 079107 - new 083088

Inner door: old 078589 - new 087854

External door: old 057501 - new 083322

LSE620AEU (23440)

Serial no. 10703.0001

Panel: old 082040 - new 083083

Inner door: old 078589 - new 087854

External door: old 057501 - new 083322

LSE620TEU (23447)

Serial no. 10607.0001

Panel: old 082548 - new 083084

Inner door: old 078589 - new 087854

External door: old 057501 - new 083322

L62WE (23449)

Serial no. 10607.0001

Panel: old 079384 - new 083081

Inner door: old 054931 - new 083324

External door: old 057501 - new 083322

LSE620TK (23495)

Serial no. 10607.0001

Panel: old 082020 - new 083082

Inner door: old 054931 - new 083324

External door: old 057501 - new 083322

LS2040UK (16884)

Serial no. 10915.0001

Panel: old 058590 - new 083065

Inner door: old 054931 - new 083324

External door: old 057501 - new 083322

LS2020A (16812)

Serial no. 10604.0001

Panel: old 058670 - new 083068

Inner door: old 054931 - new 083324

External door: old 057501 - new 083322

LS2020UK (16880)

Serial no. 10607.0001

Panel: old 058670 - new 083068

Inner door: old 054931 - new 083324

External door: old 057501 - new 083322

LS2020AAUS/1 (18672)

Serial no. 10604.0001

Panel: old 058670 - new 083068

Inner door: old 054931 - new 083324

External door: old 057501 - new 083322

AF250 (25087)

Serial no. 10616.0001

Panel: old 080711 - new 083070

Inner door: old 054931 - new 083324

External door: old 057501 - new 083322

LS600TK (23493)

Serial no. 10711.0001

Panel: old 080733 - new 083074

Inner door: old 054931 - new 083324

External door: old 057501 - new 083322

L52IT (23444)

Serial no. 10629.0001

Panel: old 080407 - new 083075

Inner door: old 054931 - new 083324

External door: old 057501 - new 083322

LS62AG (23516)

Serial no. 10611.0001

Panel: old 082577 - new 083076

Inner door: old 054931 - new 083324

External door: old 057501-new 083322

LS620TK (23494)

Serial no. 10606.0001

Panel: old 080730 - new 083077

Inner door: old 054931 - new 083324

External door: old 057501 - new 083322

LS63050-60EX (23506)

Serial no. 10723.0001

Panel: old 082491 - new 083080

Inner door: old 054931 - new 083324

External door: old 057501 - new 083322

LS630115-60EX (23504)

Serial no. 10604.0001

Panel: old 082491 - new 083080

Inner door: old 054931 - new 083324

External door: old 057501 - new 083322

LSE830TEU (23529)

Serial no. 10627.0001

Panel: old 082563 - new 083060

Inner door: old 082553 - new 086782

External door: old 057501 - new 083322

L83WDUO (23532)

Serial no. 10630.0001

Panel: old 079257 - new 083059

Inner door: old 082553 - new 086782

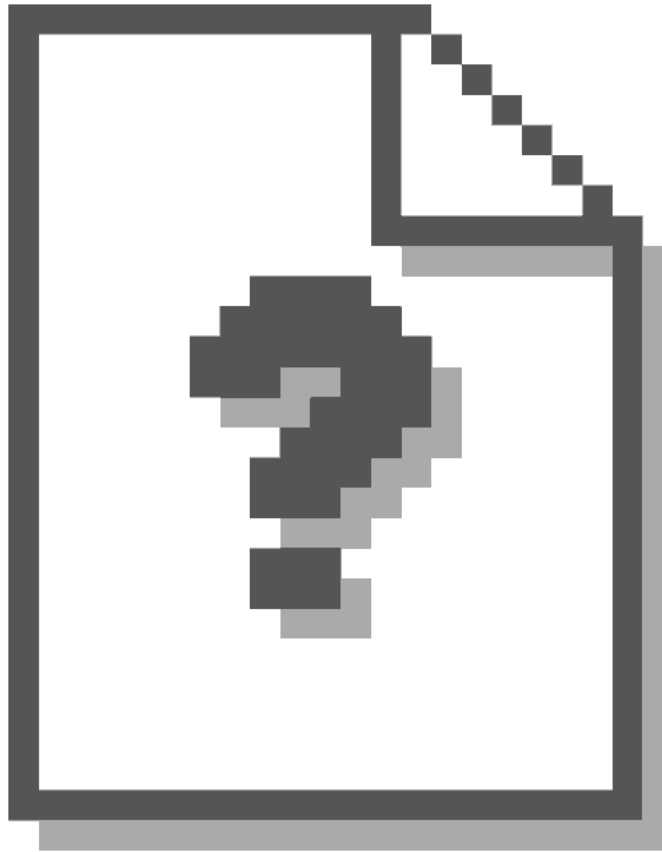
External door: old 057501 - new 083322

See figure NT 006900.

n1045055

New turbidity sensors and wiring

All dishwasher models affected by this modification have been equipped with new turbidity sensors, wiring and electrical circuit.



As regards the turbidity sensor, new sat code 087340 replaces the old sat code 077173.

The following is a list of affected models, serial numbers for new parts, wiring and electrical circuits for respective models.

Models:

- LSE732FR commercial code 23535

Serial number 20321.0001

New wiring 089073 replaces old 079145

New electrical circuit 16001317901

- L83WDUO commercial code 23532

Serial number 20319.0001

New wiring 089107 replaces old 082556

New electrical circuit 16001301201

- L83XDUO commercial code 23533

Serial number 20325.0001

New wiring 089107 replaces old 082556

New electrical circuit 16001301201

- LSE830STEU commercial code 23529

Serial number 20321.0001

New wiring 089107 replaces old 082556

New electrical circuit 16001301201

- LVI12-52IX commercial code 23476

Serial number 20318.0001

New wiring 088277 replaces old 078432

New electrical circuit SE108600

- LVI12-52WH commercial code 23474

Serial number 20318.0001

New wiring 088277 replaces old 078432

New electrical circuit SE108600

- LVI12-52AN commercial code 23475

Serial number 20318.0001

New wiring 088277 replaces old 078432

New electrical circuit SE108600

- LVTI12-62IX commercial code 23484

Serial number 20318.0001

New wiring 088283 replaces old 080553

New electrical circuit se108700

- LV67DUOAN commercial code 26569

Serial number 20318.0001

New wiring 089071 replaces old 086632

New electrical circuit 16001399805

- LV67DUOALU commercial code 26629

Serial number 20318.0001

New wiring 089071 replaces old 086632

New electrical circuit 16001399805

- LV67DUOIX commercial code 26492

Serial number 20318.0001

New wiring 089071 replaces old 086632

New electrical circuit 16001399805

- LI67DUO commercial code 26551

Serial number 20318.0001

New wiring 089070 replaces old 088875

New electrical circuit 16001401703

- LI67DUONL commercial code 27522

Serial number 20318.0001

New wiring 089070 replaces old 088875

New electrical circuit 16001401703

- LI68DUOIX commercial code 26590

Serial number 20318.0001

New wiring 090253 replaces old 086633

New electrical circuit SE106300

- LI68DUOUK commercial code 27249

Serial number 20318.0001

New wiring 090253 replaces old 086633

New electrical circuit SE106300

- LV68DUOIXUK commercial code 27255

Serial number 20318.0001

New wiring 089069 replaces old 080715

New electrical circuit 16001385301

- LV68DUOIX commercial code 26383

Serial number 20318.0001

New wiring 089069 replaces old 080715

New electrical circuit 16001385301

- LI48A commercial code 27246

Serial number 20318.0001

New wiring 089068 replaces old 087809

New electrical circuit 16001445403

n1045058

Modification of DW turbidity kit

From serial no. 20830.0001, all Dishwasher models affected by this note have been fitted with the new turbidity kit Sat code 091523 replacing code 087340. The new kit has a blowing tube (a single piece that includes the two couplings and the dirt detection tube) Sat code Sat 091568 that replaces the two couplings: 078420 tube (element-turbidity sensor) and 078422 tube (turbidity sensor-pump).

The new codes are perfectly interchangeable with the old ones (087340-078420-078422) that will be managed until stocks run out.



n1045062

Introduction of a new DW EVO structure

From serial number 30101.0001, all dishwasher models affected by this modification have been produced with EVO structure. These models have been equipped with NEW TRAYS AND NEW FEET (see N1045062TAB1).

The structure for SCANDINAVIA models is indicated below:

COMMERCIAL CODE 28490-26043-23520-28088:

PREMODIFICATION:

Tray: 083625 (for commercial code 28490) 078809 (for commercial codes 26043-23520-28088);

Tray rear feet: 078396-078397-078385;

Tray front feet: 073972;

Front feet supports: 065836;

Feet supplied with plinth accessories assembly: 034261;

EVO STRUCTURE:

Tray: 092558 (for commercial code 28490) 092554 (for commercial code 26043-23520-28088);

Tray rear feet: 092820-092821-092822;

Tray front feet: 092555;

Front feet supports: 065836;

Feet supplied with plinth accessories assembly: 034261.

COMMERCIAL CODE 25117:

PREMODIFICATION:

Tray: 061991;

Tray feet: 073972;

Feet supplied with plinth accessories assembly: 034261;

EVO STRUCTURE:

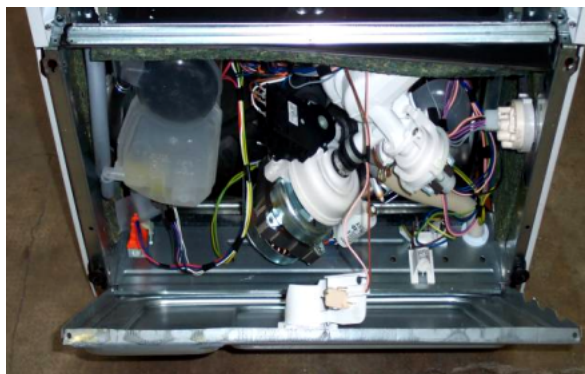
Tray: 092554;

Tray feet: 092555;

Feet supplied with plinth accessories assembly: 034261.

Photo N1045062FIG1 illustrates the bottom of the dishwasher with EVO structure.

Regulation assembly DX/SX Sat codes 078397 and 078396 will be managed up to stock end, after that they will be replaced by new Sat codes 092821 and 092820. The same is for rear foot Sat code 078385 which will be replaced by Sat code 092822.



Introduction of coupling+ring nut Sat code 093752

From serial number 30224.0001, all dishwashers affected by this modification have been equipped with the new coupling+ring nut assembly Sat code 093752, in place of coupling Sat code 079016, ring nut Sat code 054850 and gasket Sat code 054915.

Ring nut Sat code 054850 will continue to be available from the spare parts warehouse while stocks last, and coupling Sat code 079016 will continue to be stocked because it is still used for the tank-volute connection.

Picture N1045063 illustrates the premodification structure in FIG1 and the new structure in FIG2.

N1045063

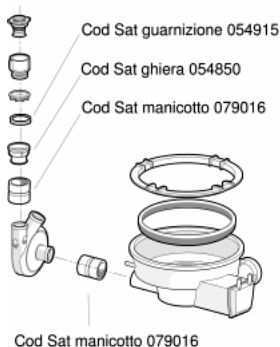


FIG. 1
STRUTTURA
PREMODIFICA

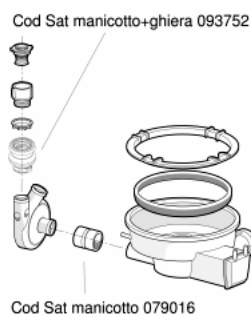


FIG. 2
NUOVA
STRUTTURA

N1045072

Introduction of fixed rear foot H=31mm on free-standing models.

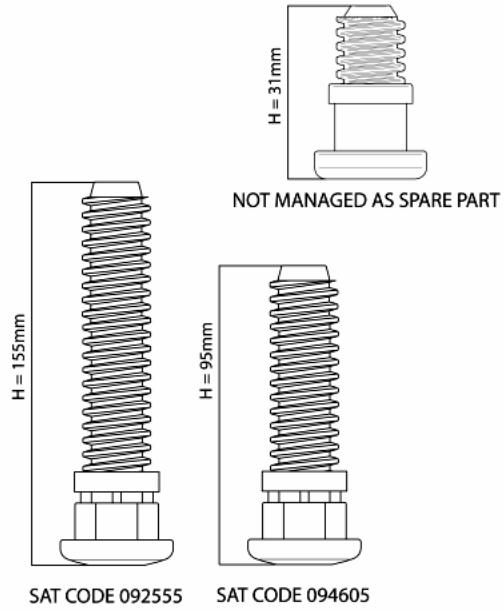
From serial no. 40218.0001, free-standing dishwashers affected by this modification have been equipped with new fixed rear feet (H=31mm).

The new foot replaces the adjustable one (H=155mm) Service code 092555; on the EVO3 range with TurboDry the new foot replaces the adjustable foot (H=95mm) Service code 094605.

The Spare Part Warehouse will continue to manage only 155mm and 95mm adjustable feet as they are interchangeable with the fixed 31mm foot.

The three feet are shown in illustration N1045072FIG1.

N1045072FIG1



Electric schemes and links

Cod. Ig025500

MATERIALE		1	2	3	4	5	6	7	8	9	10	11	12	13	14	15	16	17	18	19	20
Schema di collegamento																					
Nota: Per ogni collegamento, leggere attentamente le avvertenze e le note riportate in questo capitolo del manuale.																					
Nota: I collegamenti vanno effettuati solo sui terminali indicati nel presente capitolo del manuale.																					
Nota: In caso di collegamento a rete con messa a terra, il filo di terra deve essere collegato al terminale di terra.																					
Nota: In caso di collegamento a rete con messa a terra, il filo di terra deve essere collegato al terminale di terra.																					
Nota: In caso di collegamento a rete con messa a terra, il filo di terra deve essere collegato al terminale di terra.																					
Nota: In caso di collegamento a rete con messa a terra, il filo di terra deve essere collegato al terminale di terra.																					
Nota: In caso di collegamento a rete con messa a terra, il filo di terra deve essere collegato al terminale di terra.																					

Legend

Legend: Ig025500

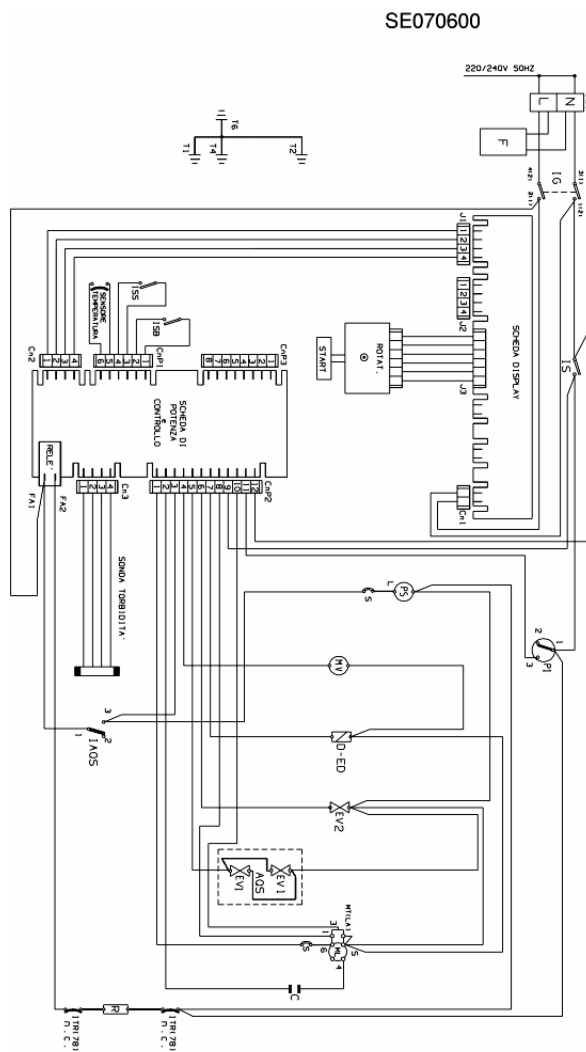
A..	Timer contact	LSS	Salt LED
AQS	Aquastop electrovalve	LV	Fan off lamp
B..	Timer contact	L1	Cycle 1 lamp
C	Condensor	L1/2	Lamp cycle half-load
C..	Timer contact	L2	Cycle 2 lamp
CL	Slow cam	L3	Cycle 3 lamp
CM	Wash pump motor connector	L4	Cycle 4 lamp
CN	Connector	L5	Cycle 5 lamp
CV	Fast cam	L6	Cycle 6 lamp
D..	Timer contact	M	Terminal box
DB	Brightener dispenser	MB	Polisher dip-switch
DD	Display - Detergent dispenser	ME	Acquastop dip-switch
D-ED	Dispenser - Electric dosing device	ML	Wash motor
ECO	Saving switch	MM	Handle dip-switch
ED	Detergent/Brightener dispenser	MP	Door dip-switch
EVC	Hot water electrovalve	MR	Delay-timer motor - Terminal board
EVF	Cold water electrovalve	MT	Timer motor
EVR	Regeneration water electrovalve	MTR	Fast forward timer motor
EV1	Cold water electrovalve MM- Handle dip-switch	MV	Motor fan
EV1/2	Half-load electrovalve	P	Pressure switch
EV2	Regeneration electrovalve	P..	Pressure switch contact
EV3	Hot water electrovalve	PAP	High pressure switch
E1	Cold water electrovalve	PO	Overflow pressure switch
E2	Regeneration electrovalve	PS	Drain pump
E3	Hot water electrovalve	PULS	Push-button panel

F	Anti-interference filter ML- Wash motor	P1	Stage 1 pressure
FA	Radio interferences	P2	Stage 2 pressure switch
IAQS	Aquastop switch	R	Heating element
ID	Switch display	RA	Heating element drying
IE	Saving switch	R.D.	Delay rotary selector
IEXD	Extra dray switch	ROT.	Rotary selector
IG	Main switch	ROT D	Delay rotary selector
IMV	Off motor fan switch	S	Motor overload cutout
IP	High temperature switch	SC	Selector cycli
IS	Cut-off switch	SS	Salt detector
ISB	Polisher led switch	ST	START
ISS	Salt LED switch	T..	Delay-tymer contact
ITR	Heating element switch	Tcp	nner-door earthing connection
I1	On/Off switch - Plus cycle switch -IEC cycle switc	TE	Relay switch
I1/2	Switch half-load	Tfa	Radio interference
I2	Fast switch -IEC cycle switch (standard) - Switch f	THP	Thermoprotector
I2H	2-hour delay switch	TM	Timer
I3	Saving switch- Switch for cycle with no pre-wash	Tml	Pump wash motor earthing connection
I4	Switch for cycle fresh dirty	Tpg	Large door earthing connection
I4H	4-hour delay switch	Tpi	Inspection door earthing connection
I5-ICR	Fast cycle switch	Tpr	Pressure switch
I6	Soak cycle switch	Tps	Discharge pump earthing connection
I6H	6-hour delay switch	Tr	Heating element
L	Mains LED	TS	Safety thermostat
LA	Drying LED	TS 40	Thermostat 40 ?C
LAQ	Aquastop on lamp	TS 50	Thermostat 50 ?C
LC	Cycle ranning lamp	TS 62	Thermostat 62 ?C
LD	Delay activated lamp	TS1	Min. temperature thermostat
LE	Saving cycle	TS2	Max. temperature thermostat
LH2	2-hour delay lamp	TT	Terminal box support earth
LH4	4-hour delay lamp	Tte	Delay-timer earthing connection
LH6	6-hour delay lamp	Tti	Timer earthing connection
LL	Wash LED	T1	Power supply earth cable -Thermostat 45?C
LP	High temperature LED	T2	Lid earth -Thermostat 55?C
LPA	Door open	T3	Timer earth -Thermostat 65?C
LPR	Prewash LED	T36	36?C N.O. Thermostat
LRI	Rinse LED	T4	Heating element earth

LS	Mains LED -Pilot lampe On/Off	T46	46°C N.O. Thermostat
LSB	Polisher LED	T5	Drain pump earth
LSC	Cycle ranning lamp	T57	57°C N.O. Thermostat
LSE	Acquastop LED	T6	Wash motor earth

Electric schemes and links

Cod. se070600



Legend

Legend: se070600

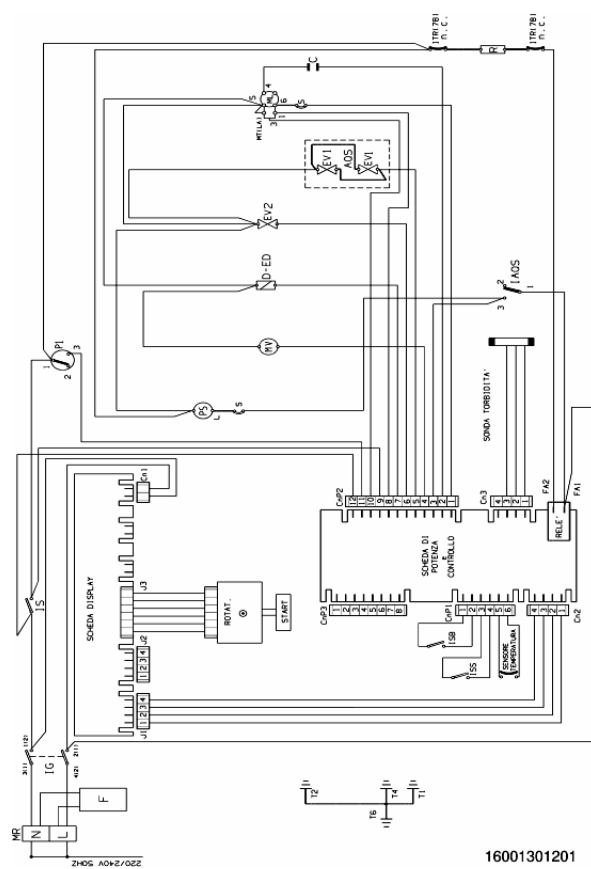
A..	Timer contact	LSS	Salt LED
AQS	Aquastop electrovalve	LV	Fan off lamp
B..	Timer contact	L1	Cycle 1 lamp
C	Condensor	L1/2	Lamp cycle half-load
C..	Timer contact	L2	Cycle 2 lamp
CL	Slow cam	L3	Cycle 3 lamp
CM	Wash pump motor connector	L4	Cycle 4 lamp
CN	Connector	L5	Cycle 5 lamp
CV	Fast cam	L6	Cycle 6 lamp
D..	Timer contact	M	Terminal box
DB	Brightener dispenser	MB	Polisher dip-switch
DD	Display - Detergent dispenser	ME	Acquastop dip-switch
D-ED	Dispenser - Electric dosing device	ML	Wash motor
ECO	Saving switch	MM	Handle dip-switch
ED	Detergent/Brightener dispenser	MP	Door dip-switch
EVC	Hot water electrovalve	MR	Delay-timer motor - Terminal board
EVF	Cold water electrovalve	MT	Timer motor
EVR	Regeneration water electrovalve	MTR	Fast forward timer motor
EV1	Cold water electrovalve MM- Handle dip-switch	MV	Motor fan
EV1/2	Half-load electrovalve	P	Pressure switch
EV2	Regeneration electrovalve	P..	Pressure switch contact
EV3	Hot water electrovalve	PAP	High pressure switch
E1	Cold water electrovalve	PO	Overflow pressure switch
E2	Regeneration electrovalve	PS	Drain pump
E3	Hot water electrovalve	PULS	Push-button panel

F	Anti-interference filter ML- Wash motor	P1	Stage 1 pressure
FA	Radio interferences	P2	Stage 2 pressure switch
IAQS	Aquastop switch	R	Heating element
ID	Switch display	RA	Heating element drying
IE	Saving switch	R.D.	Delay rotary selector
IEXD	Extra dray switch	ROT.	Rotary selector
IG	Main switch	ROT D	Delay rotary selector
IMV	Off motor fan switch	S	Motor overload cutout
IP	High temperature switch	SC	Selector cycli
IS	Cut-off switch	SS	Salt detector
ISB	Polisher led switch	ST	START
ISS	Salt LED switch	T..	Delay-tymer contact
ITR	Heating element switch	Tcp	nner-door earthing connection
I1	On/Off switch - Plus cycle switch -IEC cycle switc	TE	Relay switch
I1/2	Switch half-load	Tfa	Radio interference
I2	Fast switch -IEC cycle switch (standard) - Switch f	THP	Thermoprotector
I2H	2-hour delay switch	TM	Timer
I3	Saving switch- Switch for cycle with no pre-wash	Tml	Pump wash motor earthing connection
I4	Switch for cycle fresh dirty	Tpg	Large door earthing connection
I4H	4-hour delay switch	Tpi	Inspection door earthing connection
I5-ICR	Fast cycle switch	Tpr	Pressure switch
I6	Soak cycle switch	Tps	Discharge pump earthing connection
I6H	6-hour delay switch	Tr	Heating element
L	Mains LED	TS	Safety thermostat
LA	Drying LED	TS 40	Thermostat 40 ?C
LAQ	Aquastop on lamp	TS 50	Thermostat 50 ?C
LC	Cycle ranning lamp	TS 62	Thermostat 62 ?C
LD	Delay activated lamp	TS1	Min. temperature thermostat
LE	Saving cycle	TS2	Max. temperature thermostat
LH2	2-hour delay lamp	TT	Terminal box support earth
LH4	4-hour delay lamp	Tte	Delay-timer earthing connection
LH6	6-hour delay lamp	Tti	Timer earthing connection
LL	Wash LED	T1	Power supply earth cable -Thermostat 45?C
LP	High temperature LED	T2	Lid earth -Thermostat 55?C
LPA	Door open	T3	Timer earth -Thermostat 65?C
LPR	Prewash LED	T36	36?C N.O. Thermostat
LRI	Rinse LED	T4	Heating element earth

LS	Mains LED -Pilot lampe On/Off	T46	46°C N.O. Thermostat
LSB	Polisher LED	T5	Drain pump earth
LSC	Cycle ranning lamp	T57	57°C N.O. Thermostat
LSE	Acquastop LED	T6	Wash motor earth

Electric schemes and links

Cod. 16001301201



Legend

Legend: 16001301201