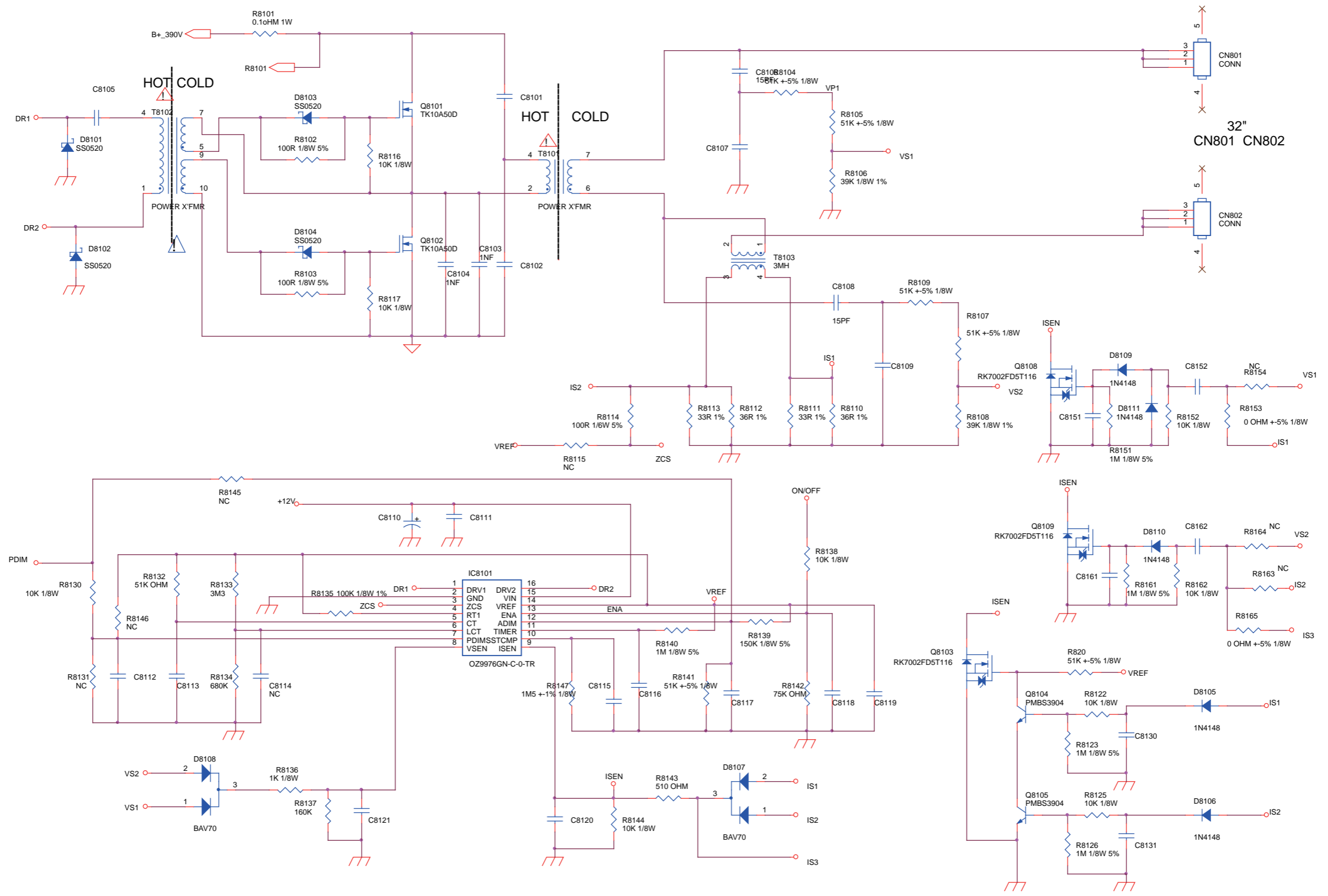
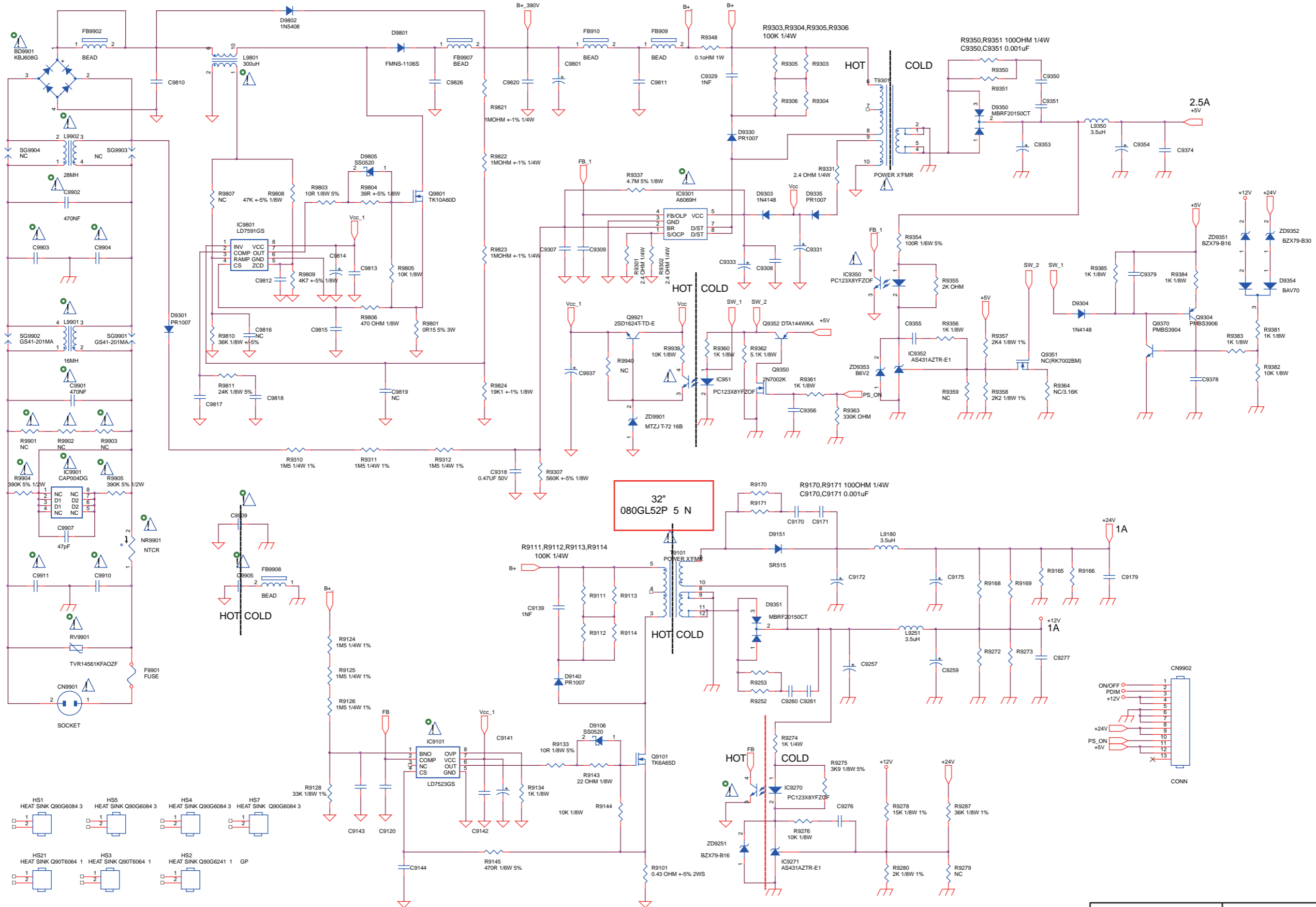


Inverter

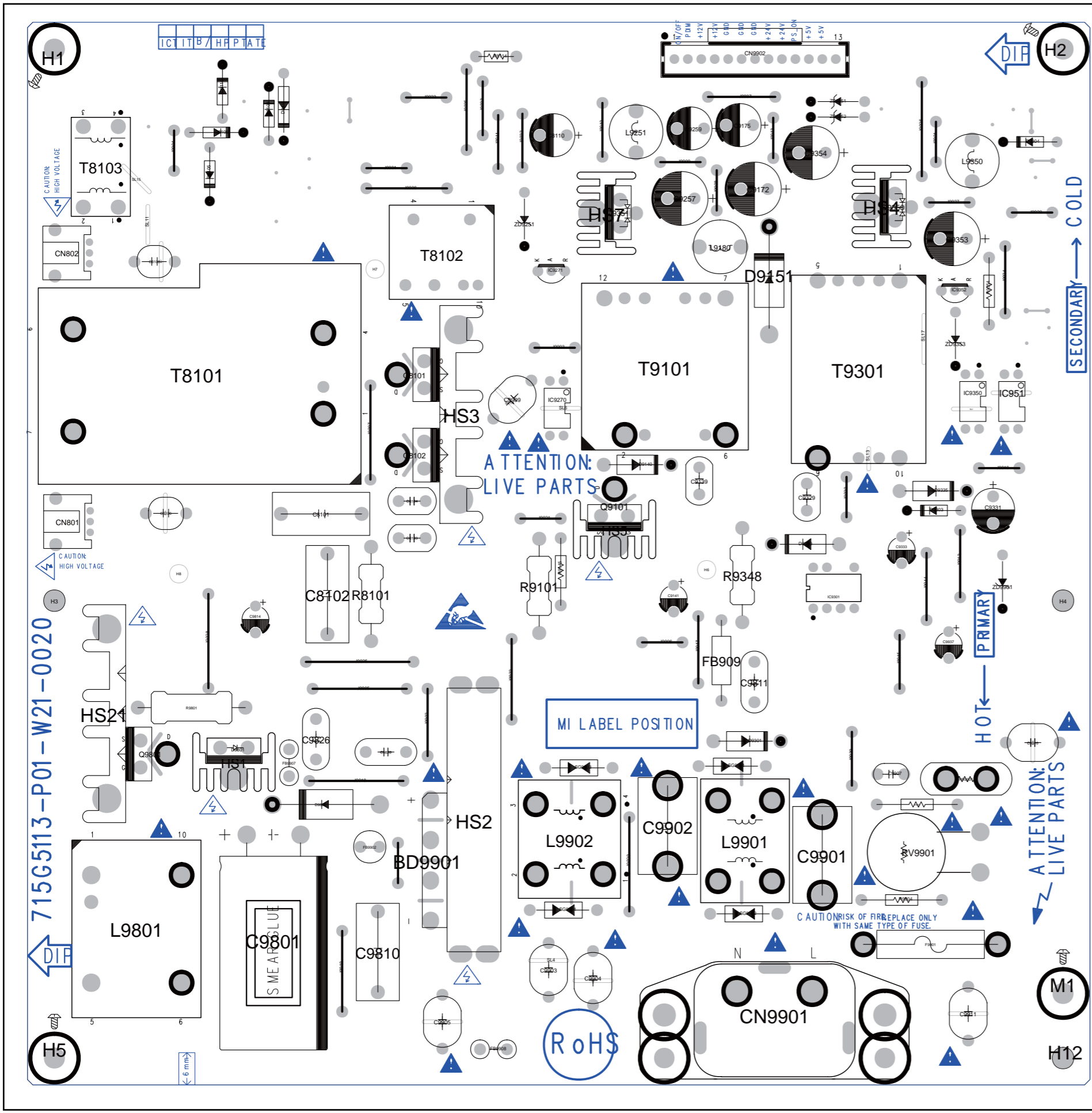


Inverter	715G5113

Power



Power	715G5113	A	2012-01-13



Power layout top	715G5113	A	2012-01-13