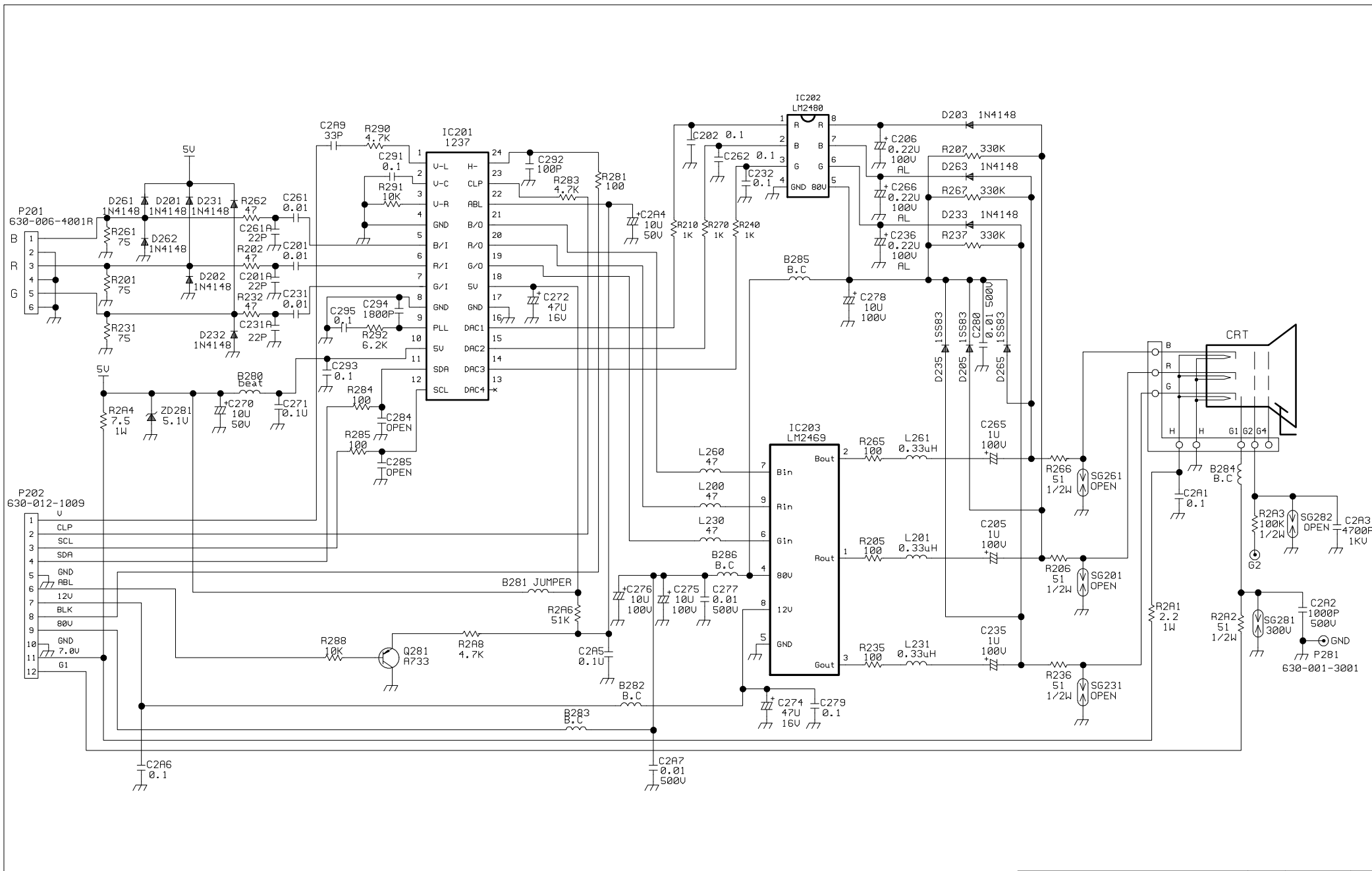


MODEL	772NS	777NS
LOCATION		
R326	0.02, 1W	0.01, 1W
R929	110K, 1/4W	75K, 1/4W
C717	0.27U, 400V	0.22U, 400V
C712	4700P, 1.5KV	4300PF, 1.5KV
R737	110K, 1/4W	130K, 1/4W
R714	0.12, 3W	0.15, 3W
P903	2PIN	3PIN
R979A	18K, 1/8W	18K, 1/8W
C789	0.18U, 250V	0.22U, 250V

PROJECT ELECTRONICS TRAINING CO., LTD. DPN
 572NS/772NS 200-100-P6NS DSN
 P6NS1793.SCH REV: CKD
 DATE: 2001-12-19 REV: 59 APPD



PROVIEW		DRN	
ELECTRONICS (TAIWAN) CO., LTD.		DSN	
CRT BOARD. (772NS)		CKD	
P6CRTNA.SCH		APPD	
DATE : 2002-01-30	A		