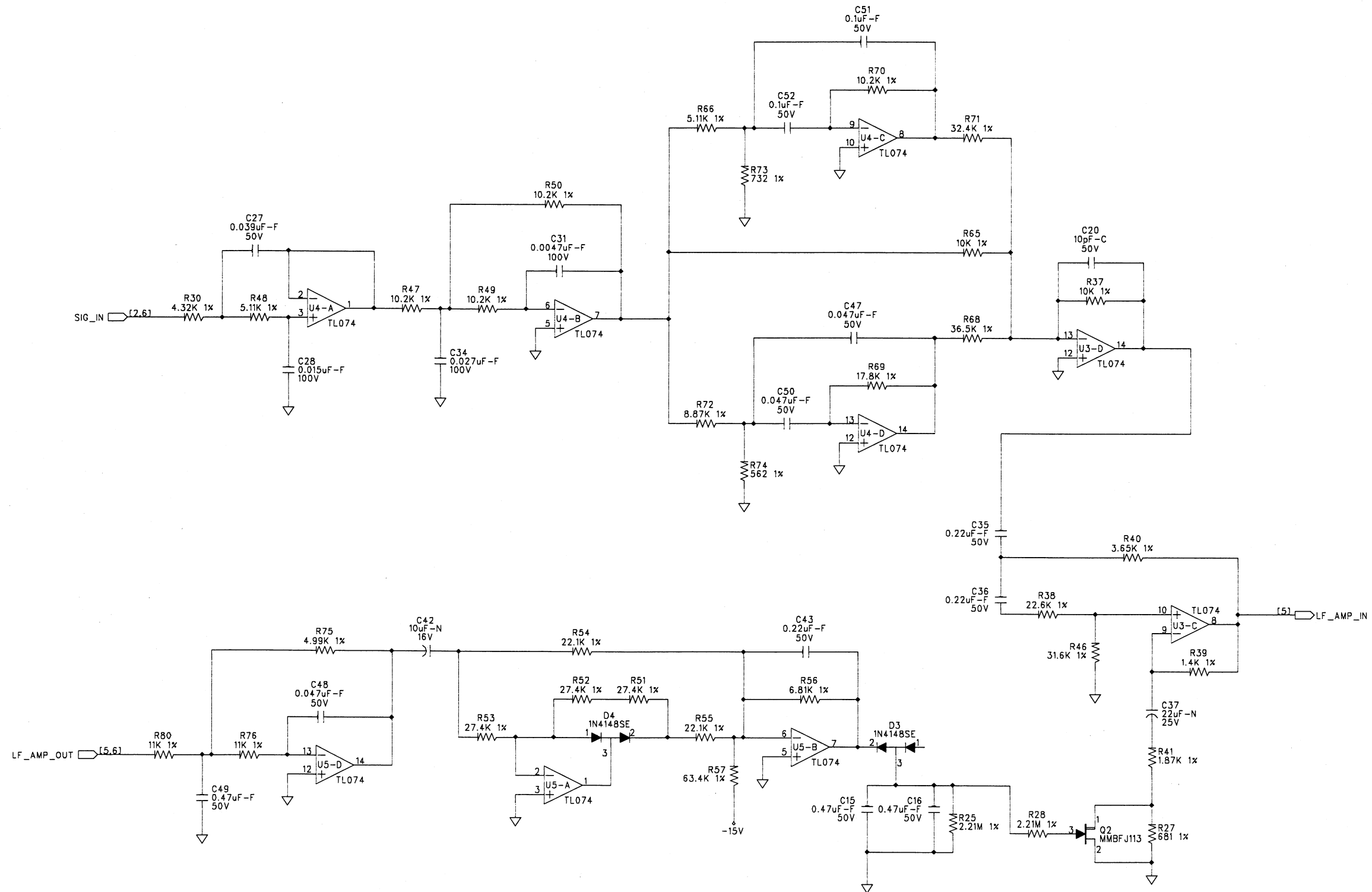
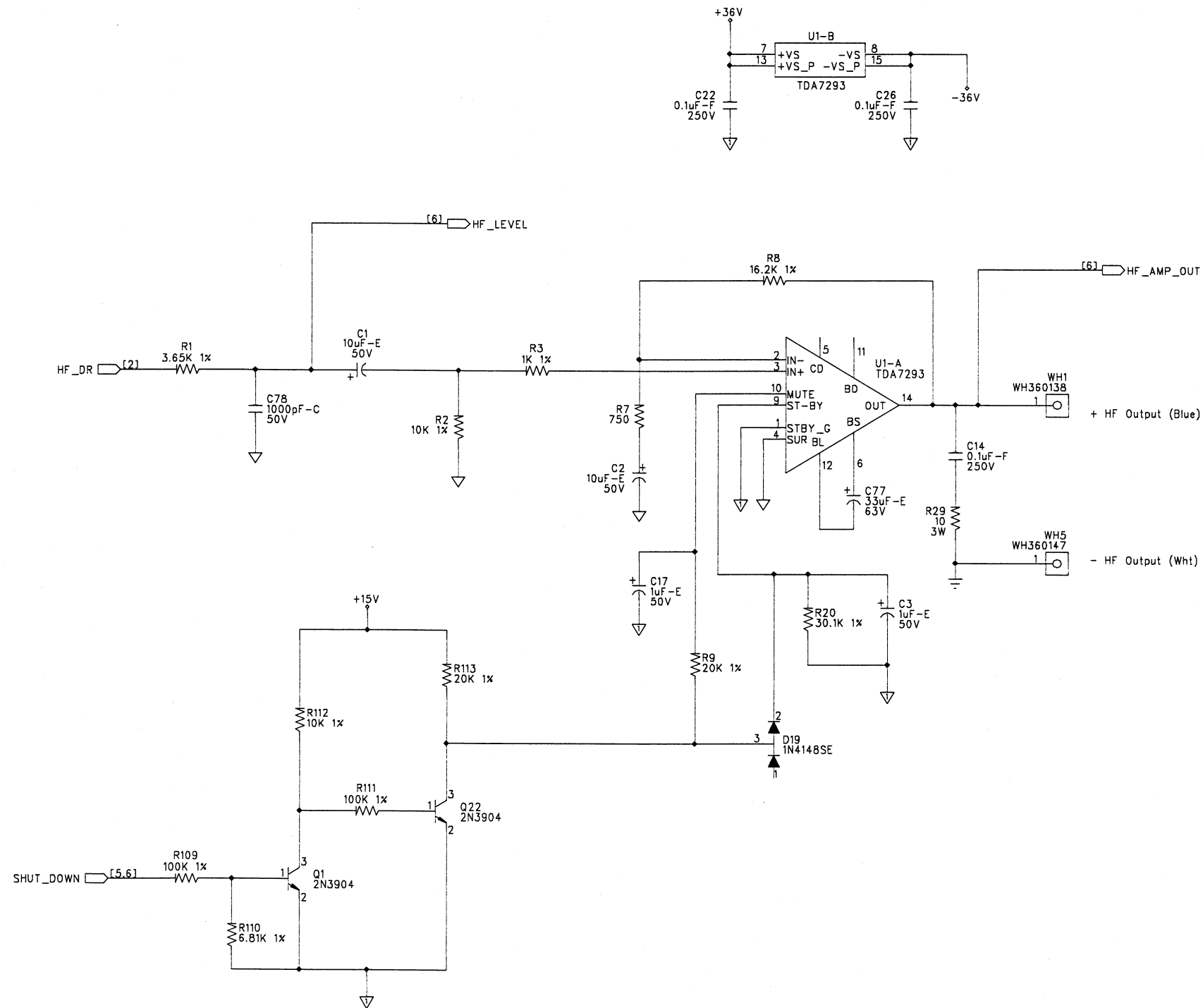


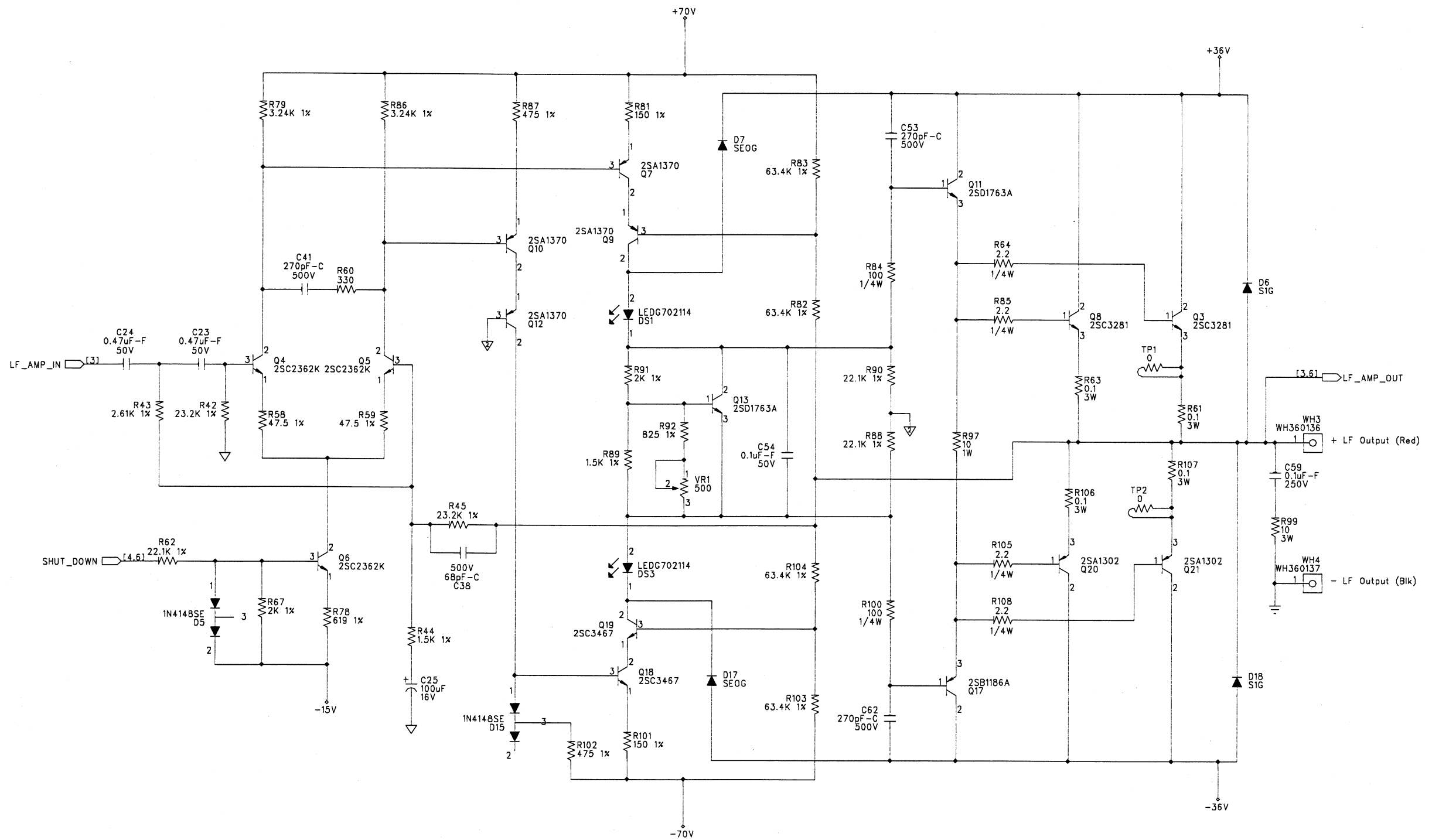
SIZE: A	SHEET TITLE: HF PROCESSING	REVISION: 001
DATE: 02/13/02	DRAWING NO: 339555	SHEET: 2 OF 6



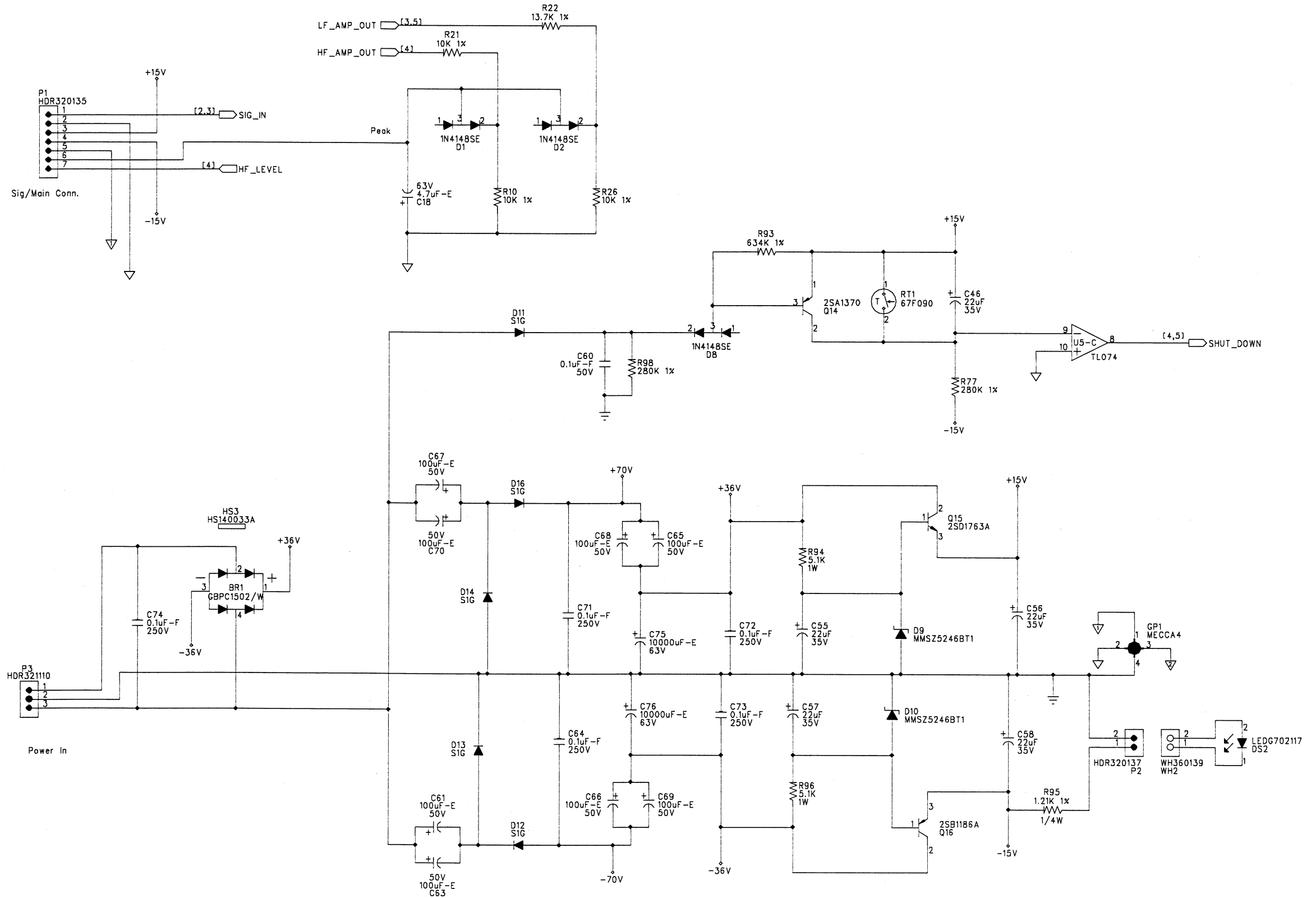
SIZE: A	SHEET TITLE: LF PROCESSING	REVISION: 001
DATE: 02/13/02	DRAWING NO: 339555	SHEET: 3 OF 6



SIZE: A	SHEET TITLE: HF AMPLIFIER STAGE	REVISION: 001
DATE: 02/13/02	DRAWING NO: 339555	SHEET: 4 OF 6



SIZE: A	SHEET TITLE: LF AMPLIFIER STAGE	REVISION: 001
DATE: 02/13/02	DRAWING NO: 339555	SHEET: 5 OF 6



SIZE: A	SHEET TITLE: POWER SUPPLY	REVISION: 001
DATE: 02/13/02	DRAWING NO: 339555	SHEET: 6 OF 6