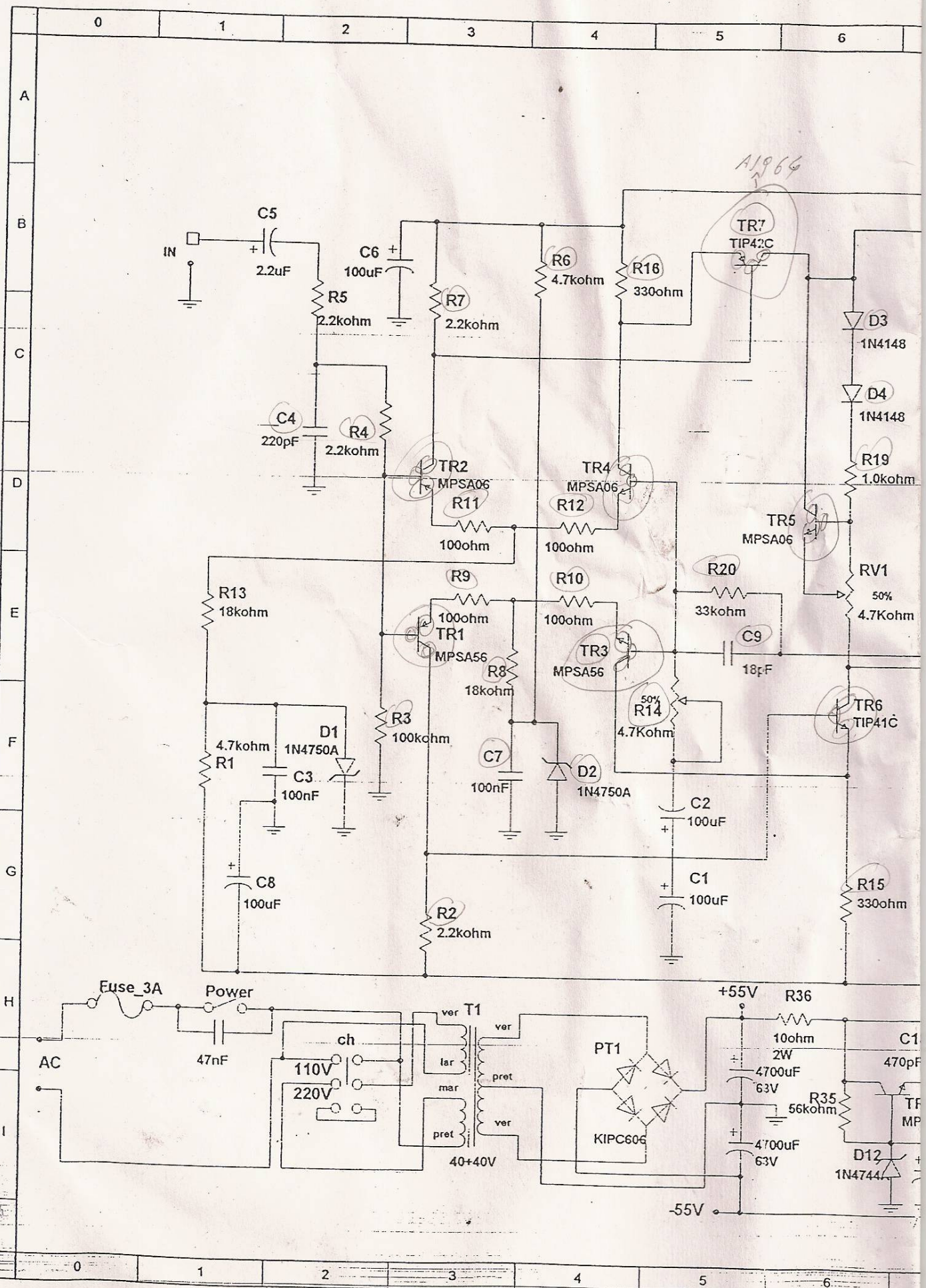
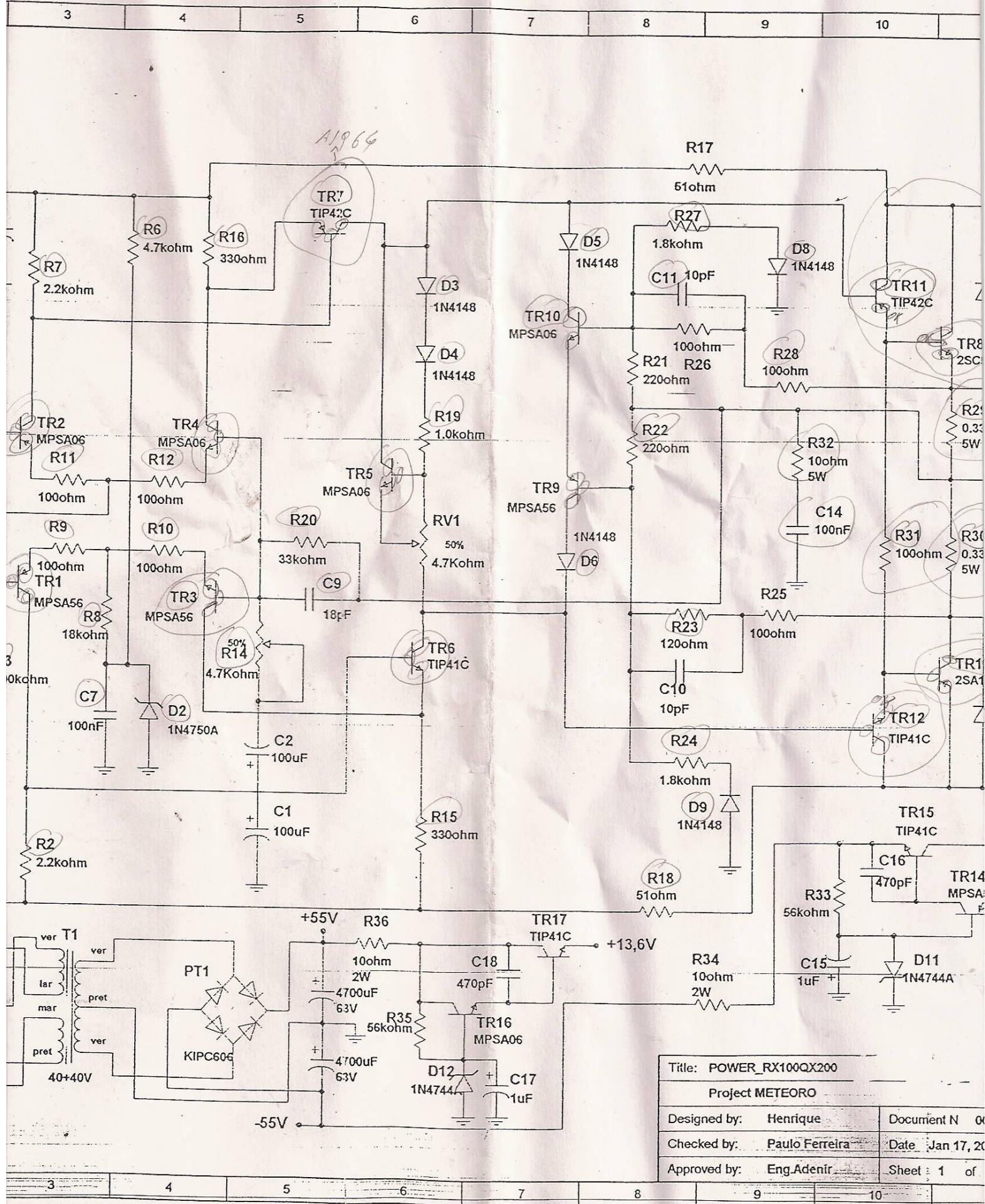


Title: RX100QX200_CB		
Project: METEORO		
Designed by: Henrique	Document N 0012	Revision 0.0
Checked by: Paulo Ferreira	Date Jan 07, 2003	Size A
Approved by: Eng. Adenir	Sheet 1 of 1	

S

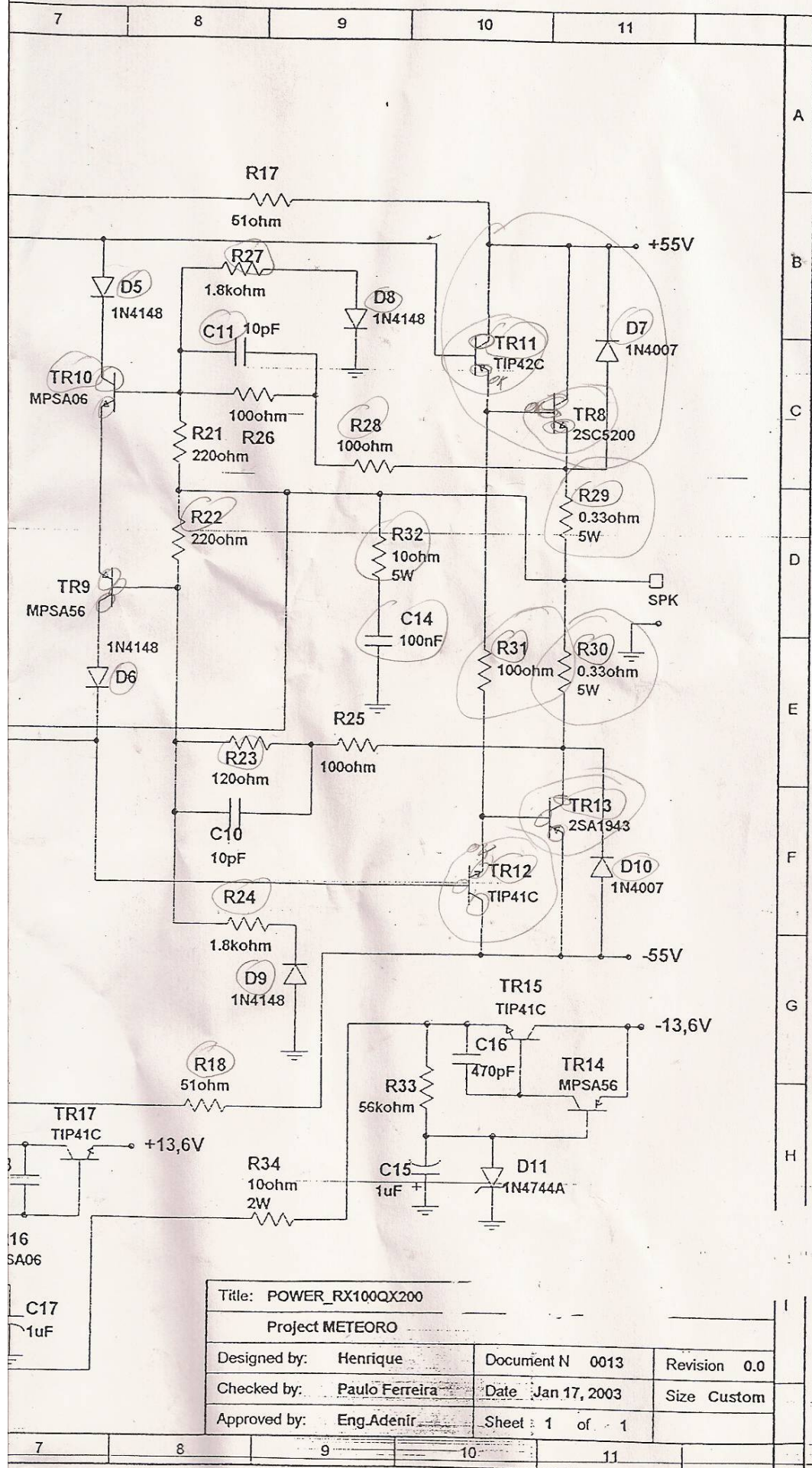


A06 = EBC NPN
 A50 = EBC PNP



Title: POWER_RX100QX200	
Project METEORO	
Designed by: Henrique	Document N 04
Checked by: Paulo Ferreira	Date: Jan 17, 20
Approved by: Eng. Adenir	Sheet: 1 of

A06 = EBC MPN
 A50 = EBC PNP



TR
 TR7 = A1964
 TR8 = L5248
 TR11 = C2336
 TR12 = BU484

Title: POWER_RX100QX200		
Project METEORO		
Designed by: Henrique	Document N 0013	Revision 0.0
Checked by: Paulo Ferreira	Date Jan 17, 2003	Size Custom
Approved by: Eng. Adenir	Sheet 1 of 1	