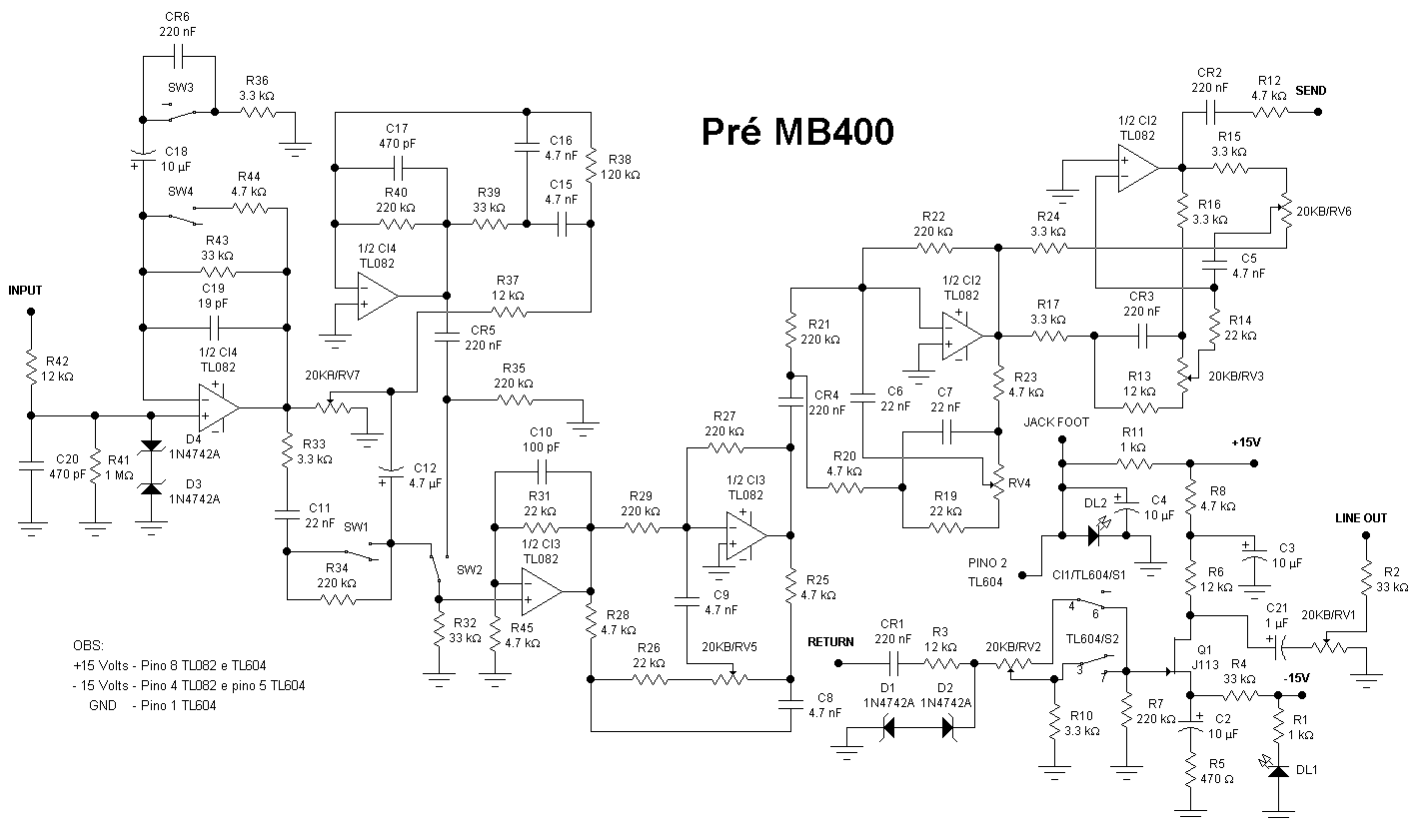
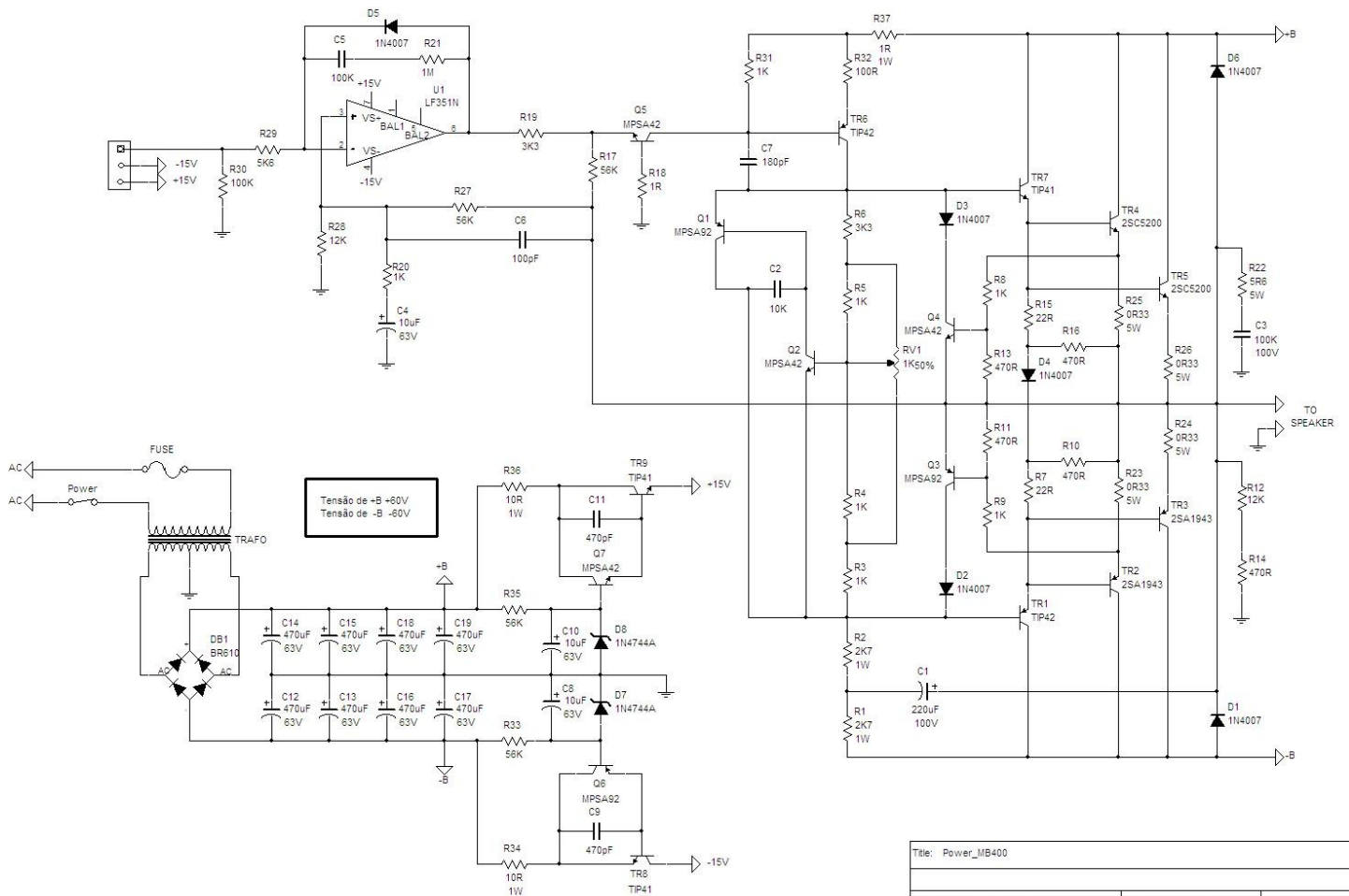


Title: Power MB400 Antigo		
Designed by: Reinaldo Mazet	Document N: 0001	Revision: 1.0
Checked by: Henrique Mazet	Date: Oct 19, 2004	Size: A0
Approved by: Paulo Ferreira	Sheet 1 of 1	



### Pré MB400

OBS:  
 +15 Volts - Pino 8 TL082 e TL604  
 - 15 Volts - Pino 4 TL082 e pino 5 TL604  
 GND - Pino 1 TL604



Title: Power_MB400		
Designed by: Reinaldo Mazet	Document N: 0001	Revision: 1.0
Checked by: Henrique Mazet	Date: Oct 19, 2004	Size: A0
Approved by: Paulo Ferreira	Sheet 1 of 1	