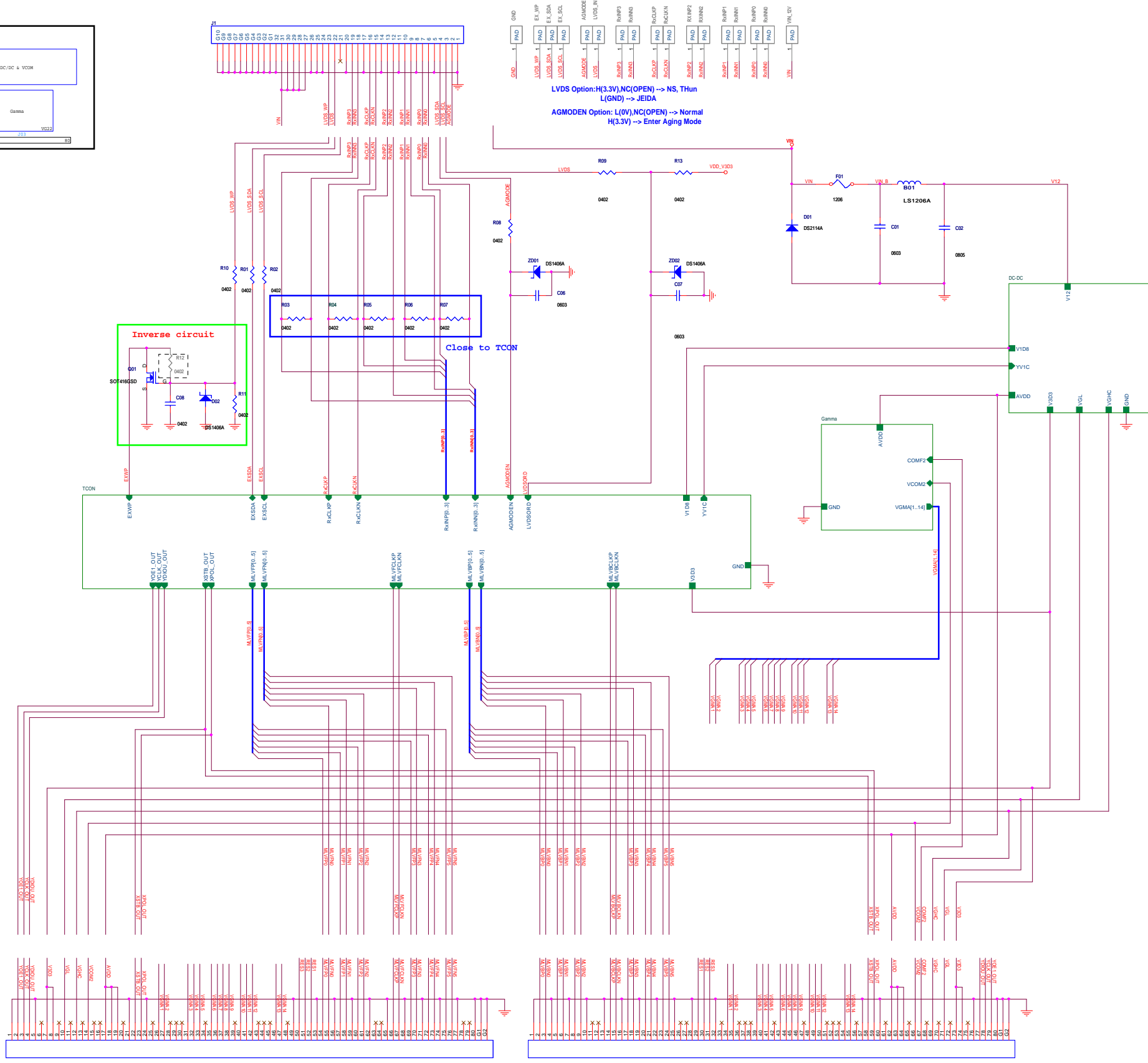
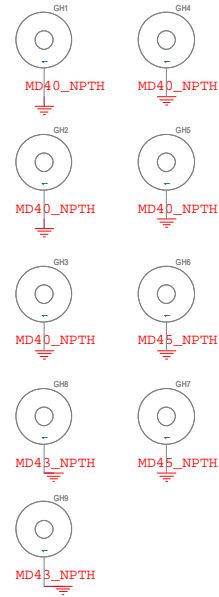
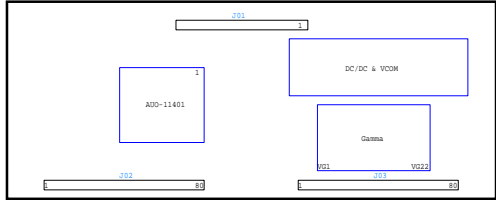


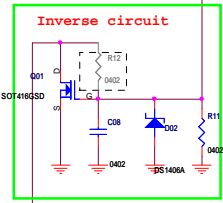
Sketch Map



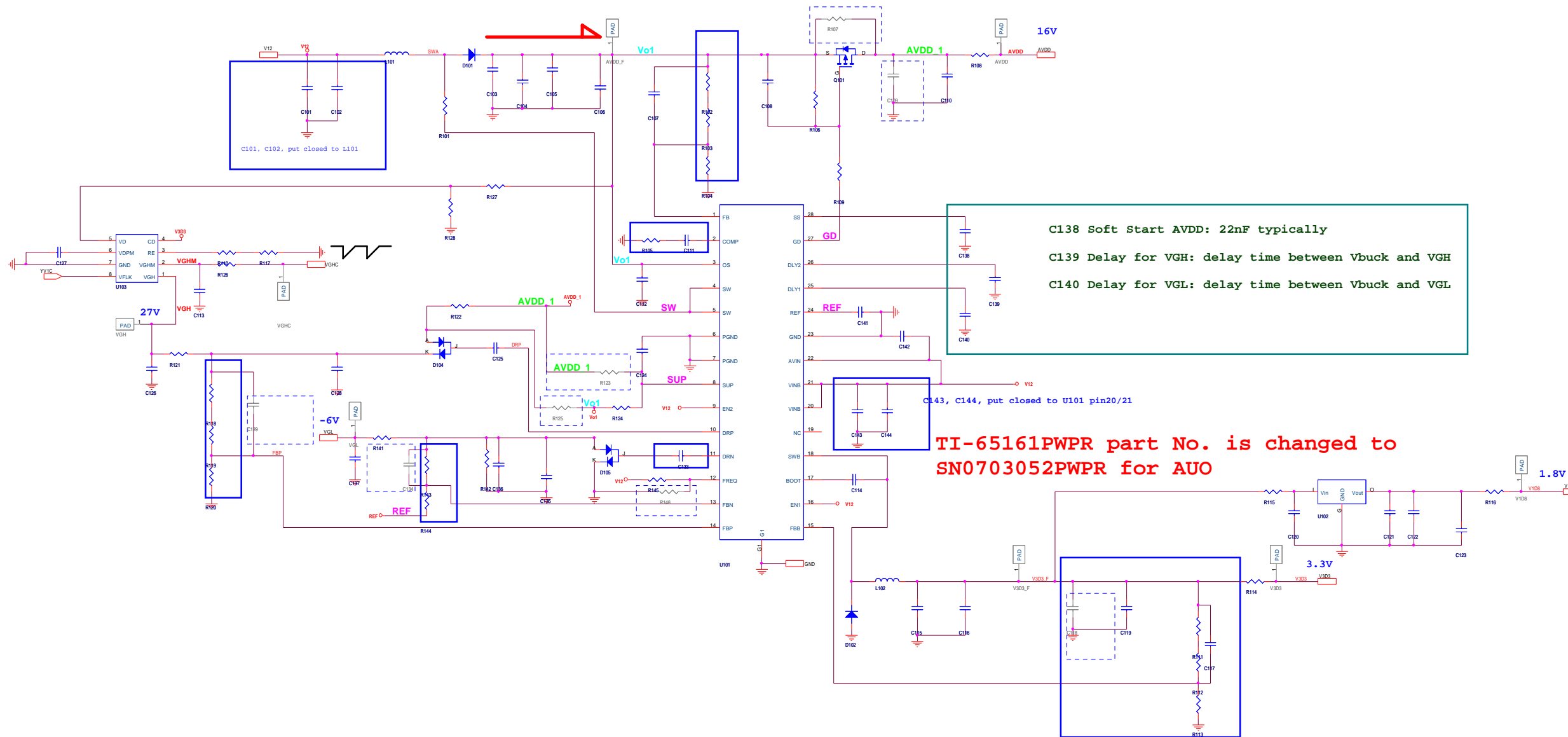
X-Front

X-Back

LVDS Option:H(3.3V),NC(OPEN) -> NS, THun
L(GND) -> JEIDA
AGMODEN Option: L(0V),NC(OPEN) -> Normal
H(3.3V) -> Enter Aging Mode

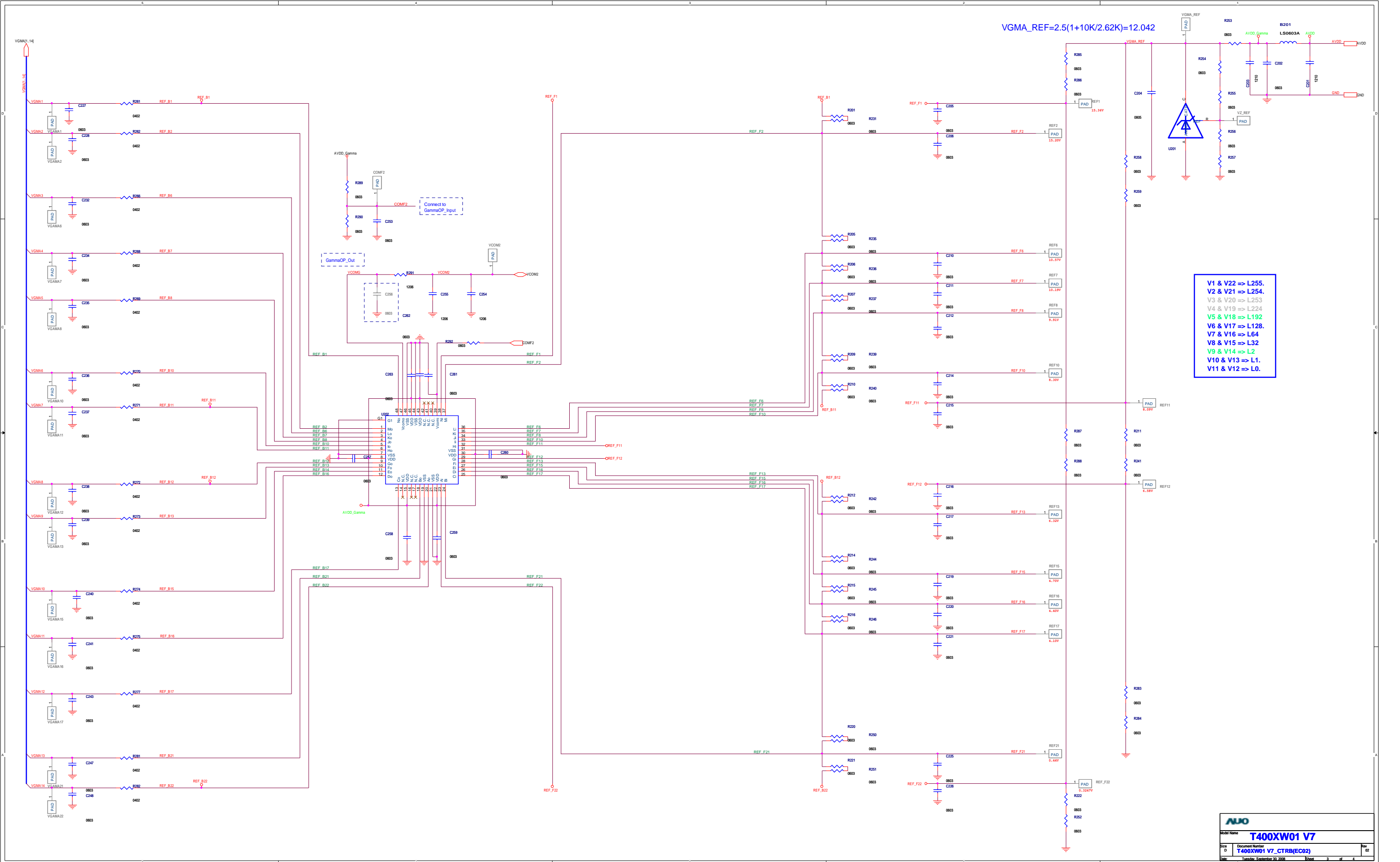


Close to TCON



AUO Confidential

$$VGMA_REF = 2.5(1 + 10K/2.62K) = 12.042$$



- V1 & V22 => L255.
- V2 & V21 => L254.
- V3 & V20 => L253.
- V4 & V19 => L224.
- V5 & V18 => L192.
- V6 & V17 => L128.
- V7 & V16 => L64.
- V8 & V15 => L32.
- V9 & V14 => L2.
- V10 & V13 => L1.
- V11 & V12 => L0.

V1D8  V1D8
 GND  GND
 V3D3  V3D3

For setting pin pull high or pull low, please use 4.7k ohm resistor

