

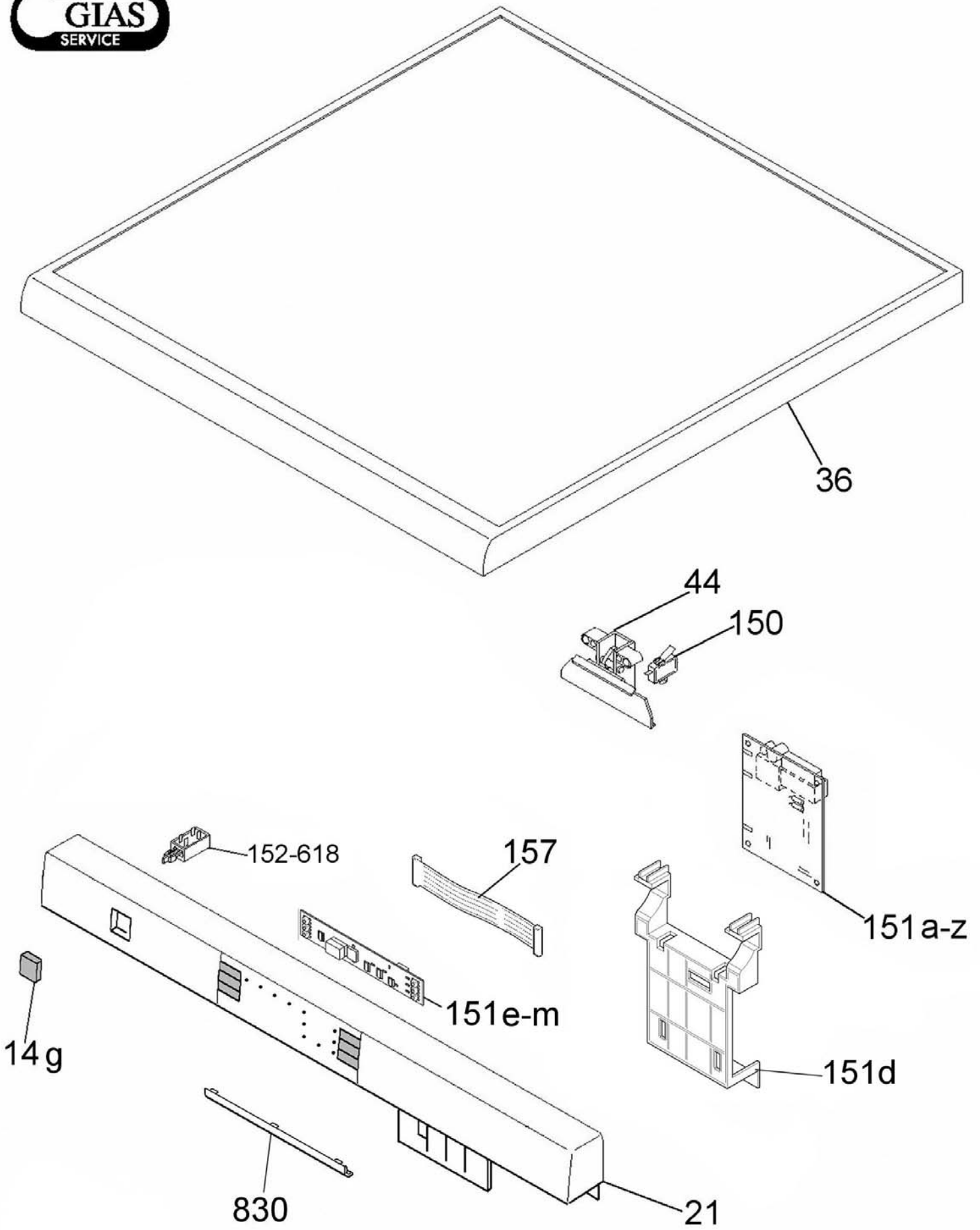


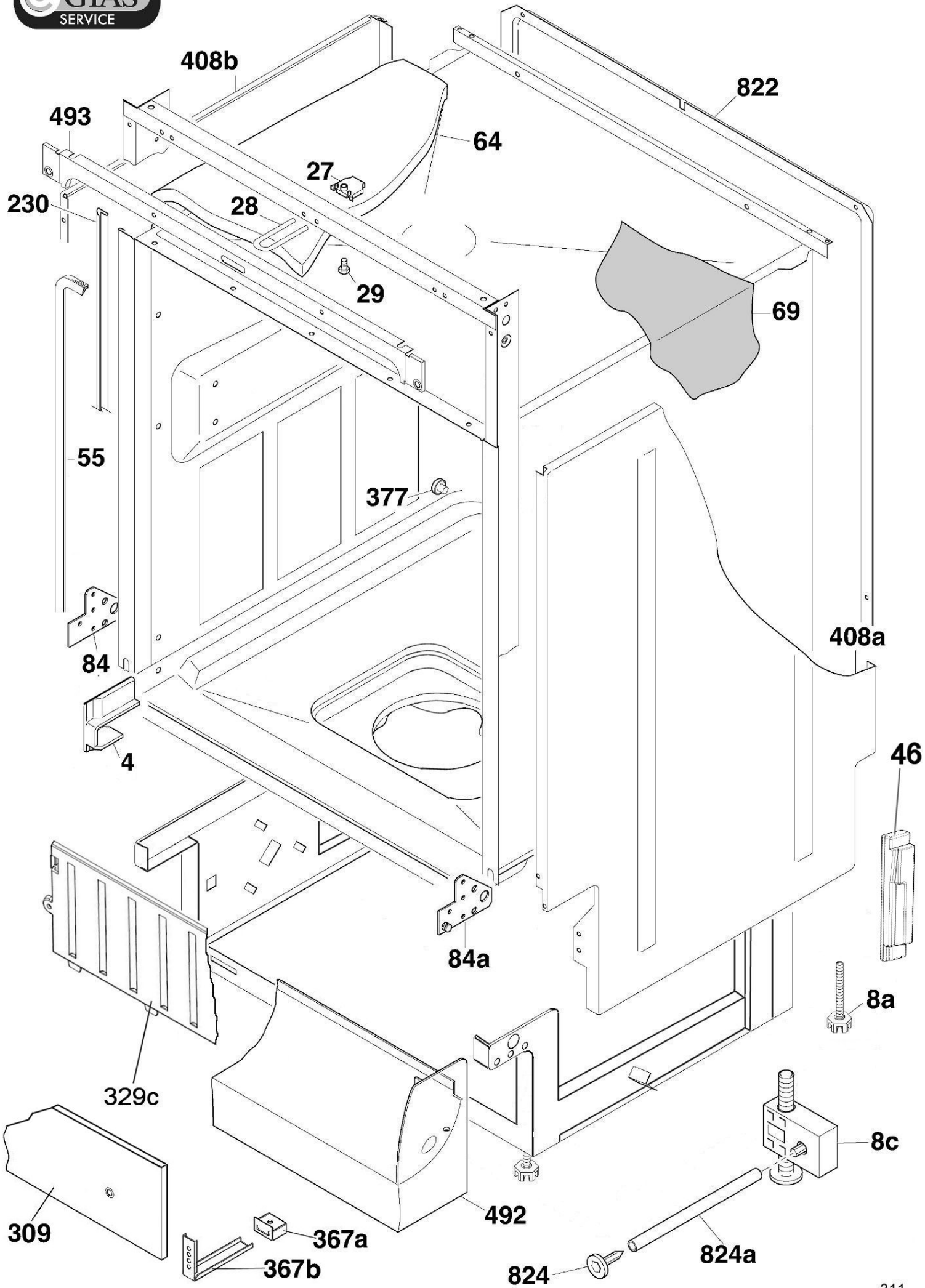
**CANDY**

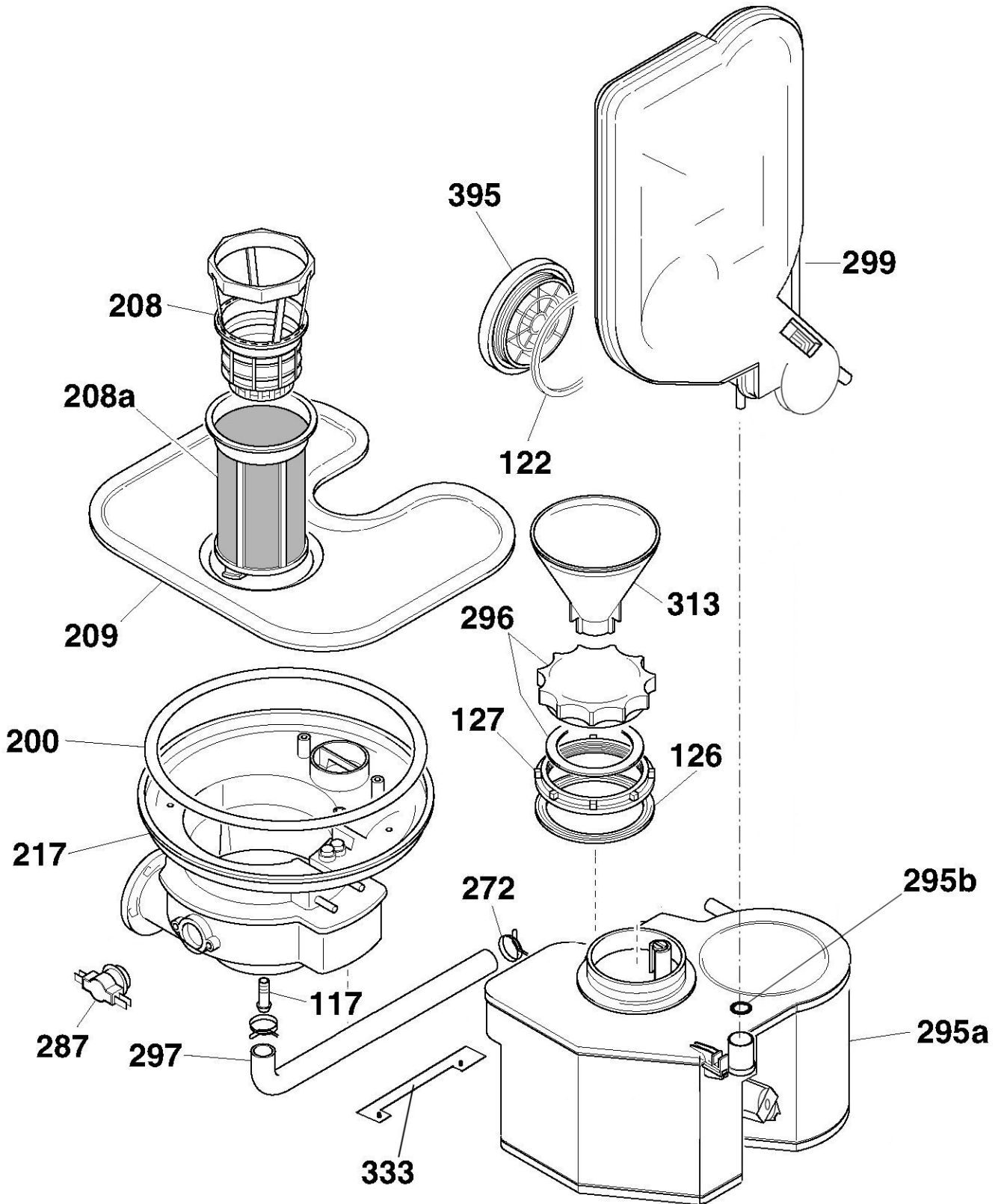
DISHWASHER

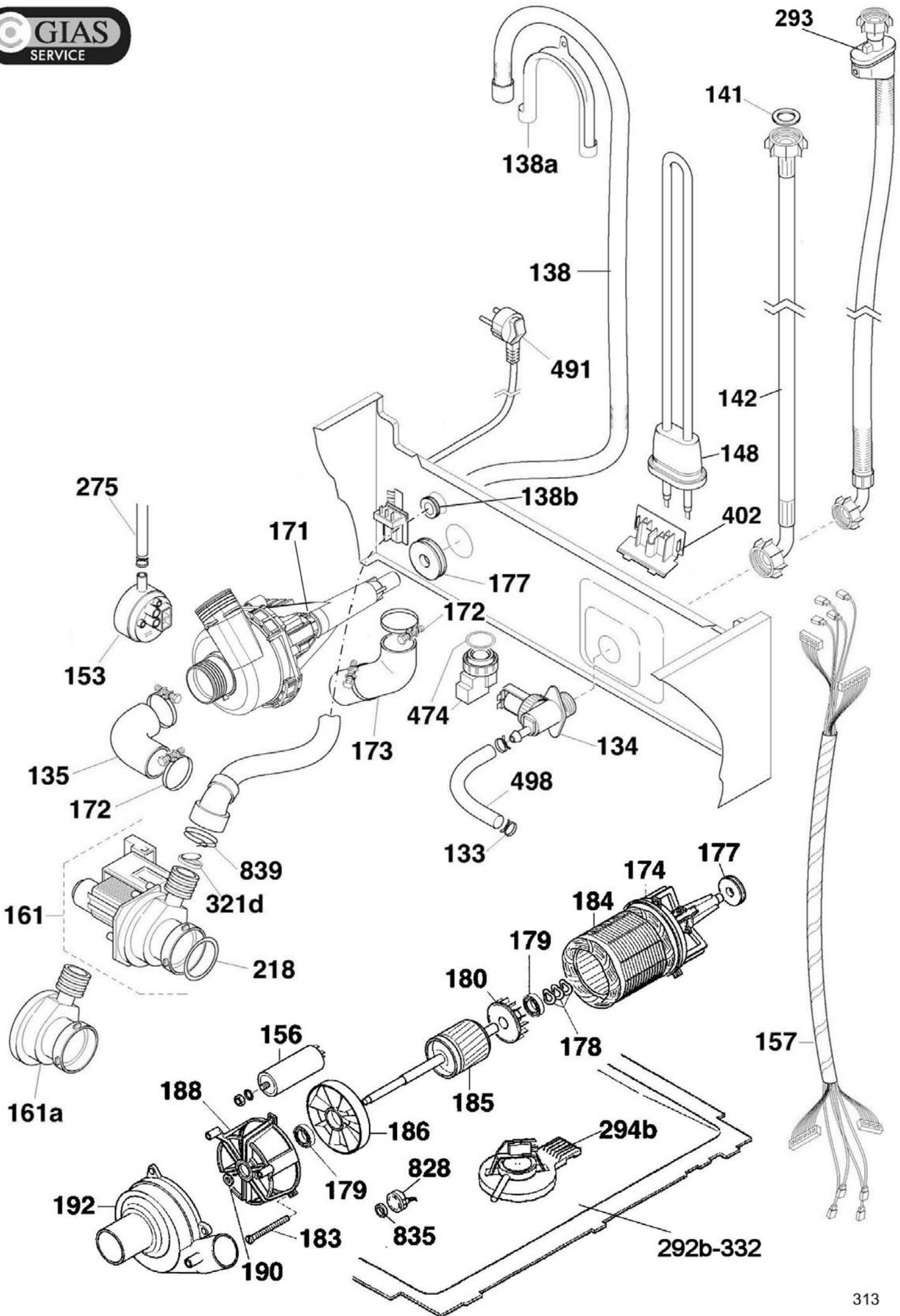
32000652 CDPE6320X

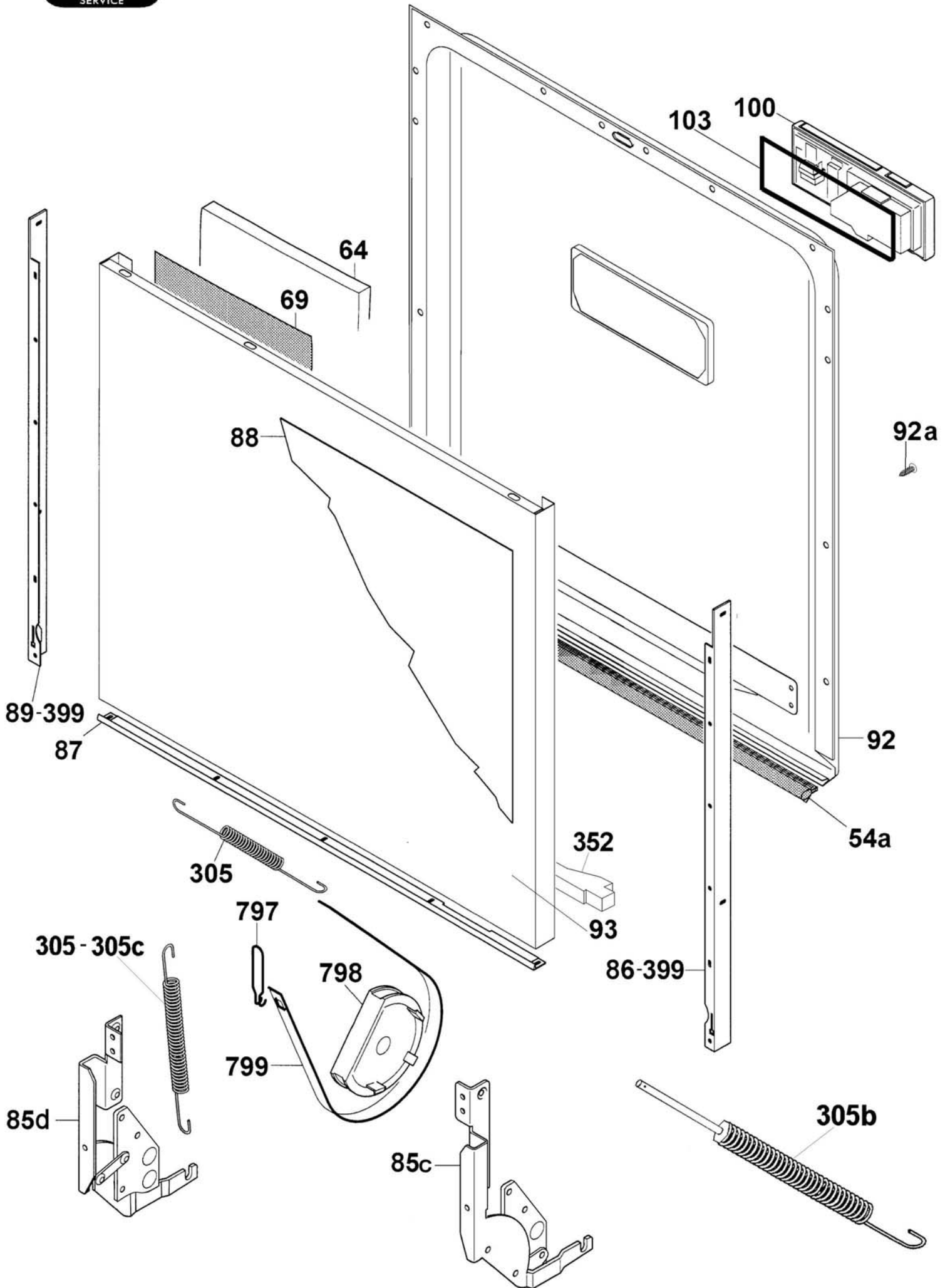
Service Manual

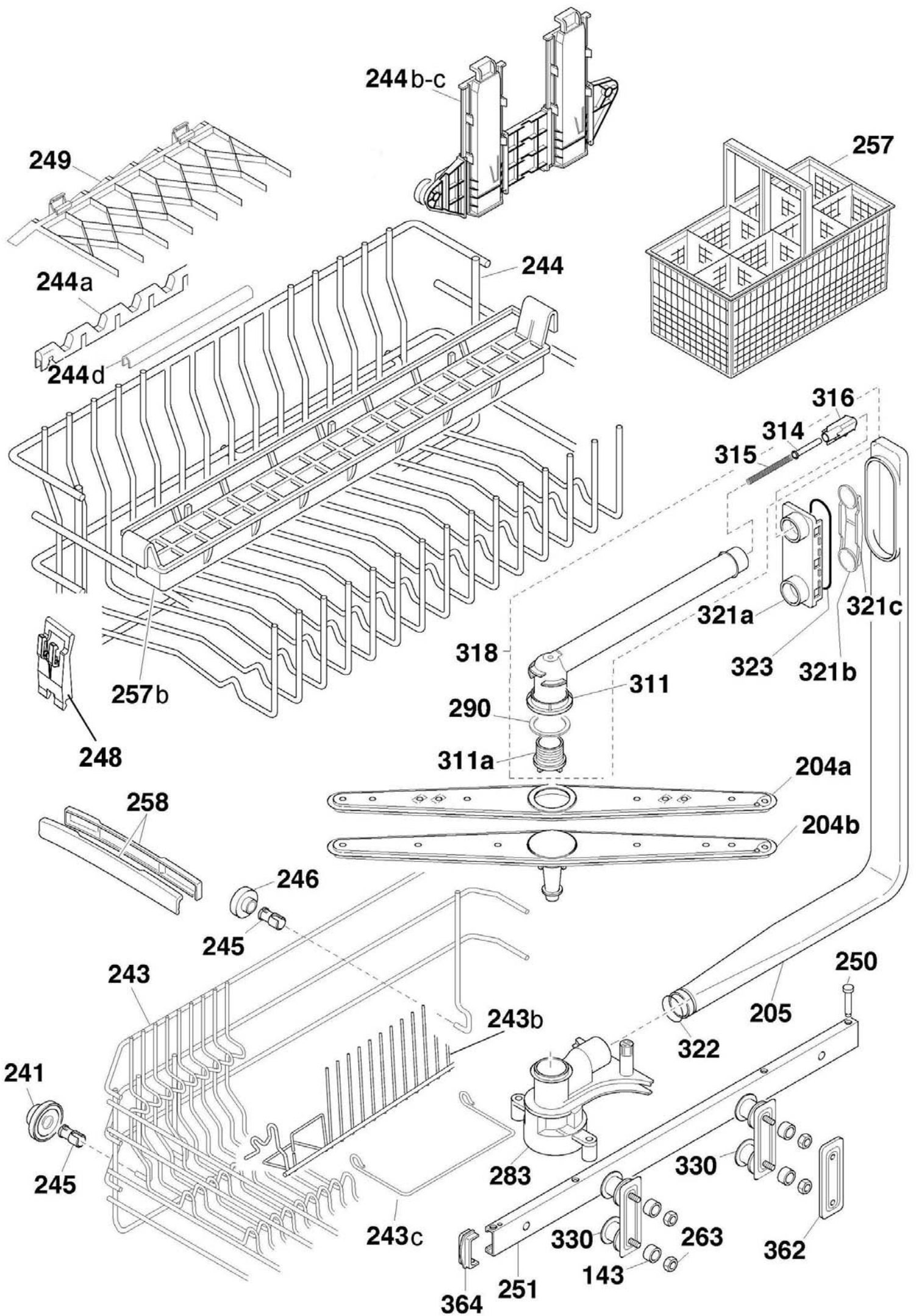














32000652 CDPE6320X 1121 (16/05/2011)

| Ref. | Descrizione - Description - Beschreibung - Descripcion | Ricambio<br>Part No.<br>Piece<br>E-Teil<br>Pieza | Inizio<br>Beginning<br>Debut<br>Begin<br>Inicio | Fine<br>Ending<br>Fin<br>End<br>Fin |
|------|--|--|---|-------------------------------------|
| 4a   | Right basket guide                                     | 41017657   |   |                                     |
| 4b   | Left basket guide                                      | 41017656   |   |                                     |
| 8a   | Foot   | 41026872   |   |                                     |
| 14g  | ON-OFF push button                                     | 41900023   |   |                                     |
| 21   | Control panel assy                                     | 41900198   |   |                                     |
| 27   | Closure regulator                                      | 91800770   |   |                                     |
| 28   | Catch  | 41014449   |   |                                     |
| 29   | Screw  | 41013184   |   |                                     |
| 36   | Work table   | 41900046   |   |                                     |
| 44   | Door lock  | 41008620   |   |                                     |
| 46   | Balance weight   | 41029901   |   |                                     |
| 54a  | Innerdoor lower gasket                                 | 91620003   |   |                                     |
| 55   | Front gasket   | 41019164   |   |                                     |
| 69   | Insulating panel                                       | 41017649   |   |                                     |
| 84   | L/H hinge holder                                       | 41026794   |   |                                     |
| 84a  | R/H hinge holder                                       | 41026793   |   |                                     |
| 85a  | R/H hinge  | 41007189   |   |                                     |
| 85b  | L/H hinge  | 41007190   |   |                                     |
| 92   | Innerdoor  | 41010279   |   |                                     |
| 92a  | Innerdoor screw  | 91401201   |   |                                     |
| 93   | Door   | 41900033   |   |                                     |
| 100  | Electrodistributor                                     | 41010202   |   |                                     |
| 103  | Gasket   | 49004681   |   |                                     |
| 117  | Nozzle   | 92694801   |   |                                     |
| 122  | Gasket   | 41029495   |   |                                     |
| 126  | Seal gasket  | 41029550   |   |                                     |
| 127  | Metal ring   | 41029551   |   |                                     |
| 133  | Clip   | 92470012   |   |                                     |
| 134  | Electrovalve   | 41033495   |   |                                     |
| 135a | Hose   | 41015227   |   |                                     |
| 138  | Drain hose   | 91670102   |   |                                     |





32000652 CDPE6320X 1121 (16/05/2011)

| Ref. | Descrizione - Description - Beschreibung - Descripcion | Ricambio<br>Part No.<br>Piece<br>E-Teil<br>Pieza | Inizio<br>Beginning<br>Debut<br>Begin<br>Inicio | Fine<br>Ending<br>Fin<br>End<br>Fin |
|------|--|--|---|-------------------------------------|
| 138a | Drain house elbow                                      | 92689587   |   |                                     |
| 138b | Hoseb clamp  | 91600328   |   |                                     |
| 141  | Seal gasket  | 92485226   |   |                                     |
| 142a | Fill hose red  | 41034875   |   |                                     |
| 148a | Outer heater assy                                      | 41006831   |   |                                     |
| 150  | Door micro switch                                      | 41009693   |   |                                     |
| 151a | Electronic module                                      | 41900112   |   |                                     |
| 151d | Electronic board support                               | 41900037   |   |                                     |
| 151m | Touch controls board                                   | 41032196   |   |                                     |
| 151z | Not programmed Electronic module                       | 41027100   |   |                                     |
| 152d | Switch assy(open contact)                              | 40005965   |   |                                     |
| 153  | Level switch   | 41030820   |   |                                     |
| 157  | Wiring harness   | 41032575   |   |                                     |
| 157k | 8 Way connecton  | 41012762   |   |                                     |
| 161  | Drain pump   | 91200173   |   |                                     |
| 161a | Drain pump scroll                                      | 91600290   |   |                                     |
| 171  | Motor pump   | 41014580   |   |                                     |
| 172  | Clip   | 91408000   |   |                                     |
| 173  | Hose   | 41015226   |   |                                     |
| 177  | Motor Schoch absorber                                  | 92131762   |   |                                     |
| 200  | Drawer grasket   | 91406300   |   |                                     |
| 204a | Upper spray arm  | 41009782   |   |                                     |
| 204b | Lower spray arm  | 41009781   |   |                                     |
| 205  | Spray arms tube  | 41006828   |   |                                     |
| 208  | Filter   | 41005927   |   |                                     |
| 208a | Microfilter  | 41014367   |   |                                     |
| 209  | Filter plate   | 91800738   |   |                                     |
| 217  | Filter bacin.  | 41026774   |   |                                     |
| 218  | OR seal gasket   | 91406302   |   |                                     |
| 225a | Thermostat Gasket                                      | 92445626   |   |                                     |
| 241  | Lower basket wheel                                     | 91601253   |   |                                     |



32000652 CDPE6320X 1121 (16/05/2011)


| Ref. | Descrizione - Description - Beschreibung - Descripcion | Ricambio<br>Part No.<br>Piece<br>E-Teil<br>Pieza | Inizio<br>Beginning<br>Debut<br>Begin<br>Inicio | Fine<br>Ending<br>Fin<br>End<br>Fin |
|------|--|--|---|-------------------------------------|
| 243  | Lower basket   | 41030312   |   |                                     |
| 244  | Upper basket   | 41030308   |   |                                     |
| 244a | Plates holder  | 41011632   |   |                                     |
| 245  | Basket wheel pin                                       | 91601247   |   |                                     |
| 246  | Basket wheel upper.                                    | 91601248   |   |                                     |
| 249a | R/H front-L/H rear cups basket                         | 41000751   |   |                                     |
| 249b | L/H front-R/H rear cups basket                         | 41000752   |   |                                     |
| 250  | Wheel stopper  | 91619627   |   |                                     |
| 251  | Runner   | 91800137   |   |                                     |
| 257  | Cutlery basket   | 41030341   |   |                                     |
| 272  | Clip   | 92470244   |   |                                     |
| 275  | Level hose   | 41026801   |   |                                     |
| 283a | Hub  | 41009859   |   |                                     |
| 287m | NTC probe  | 41022107   |   |                                     |
| 290  | Bearing for spray arm                                  | 91405300   |   |                                     |
| 295a | Water softener   | 41026897   |   |                                     |
| 295b | Water softener OR seal gasket                          | 91941698   |   |                                     |
| 296  | Water softener stopper                                 | 41029552   |   |                                     |
| 297  | Hose   | 91620010   |   |                                     |
| 299  | Water softener capacitor                               | 41026799   |   |                                     |
| 305  | Spring   | 92483809   |   |                                     |
| 311  | Sleeve   | 91602981   |   |                                     |
| 311a | Sleeve   | 41010216   |   |                                     |
| 313  | Funnel   | 91601457   |   |                                     |
| 314  | Slider   | 91600272   |   |                                     |
| 315  | Spring   | 92484021   |   |                                     |
| 316  | Center square  | 91600271   |   |                                     |
| 318  | Upper ramp tube  | 41009353   |   |                                     |
| 321a | Deviator   | 41009202   |   |                                     |
| 321b | Deviator valve   | 91600267   |   |                                     |
| 321c | Deviator valve holder                                  | 41009257   |   |                                     |



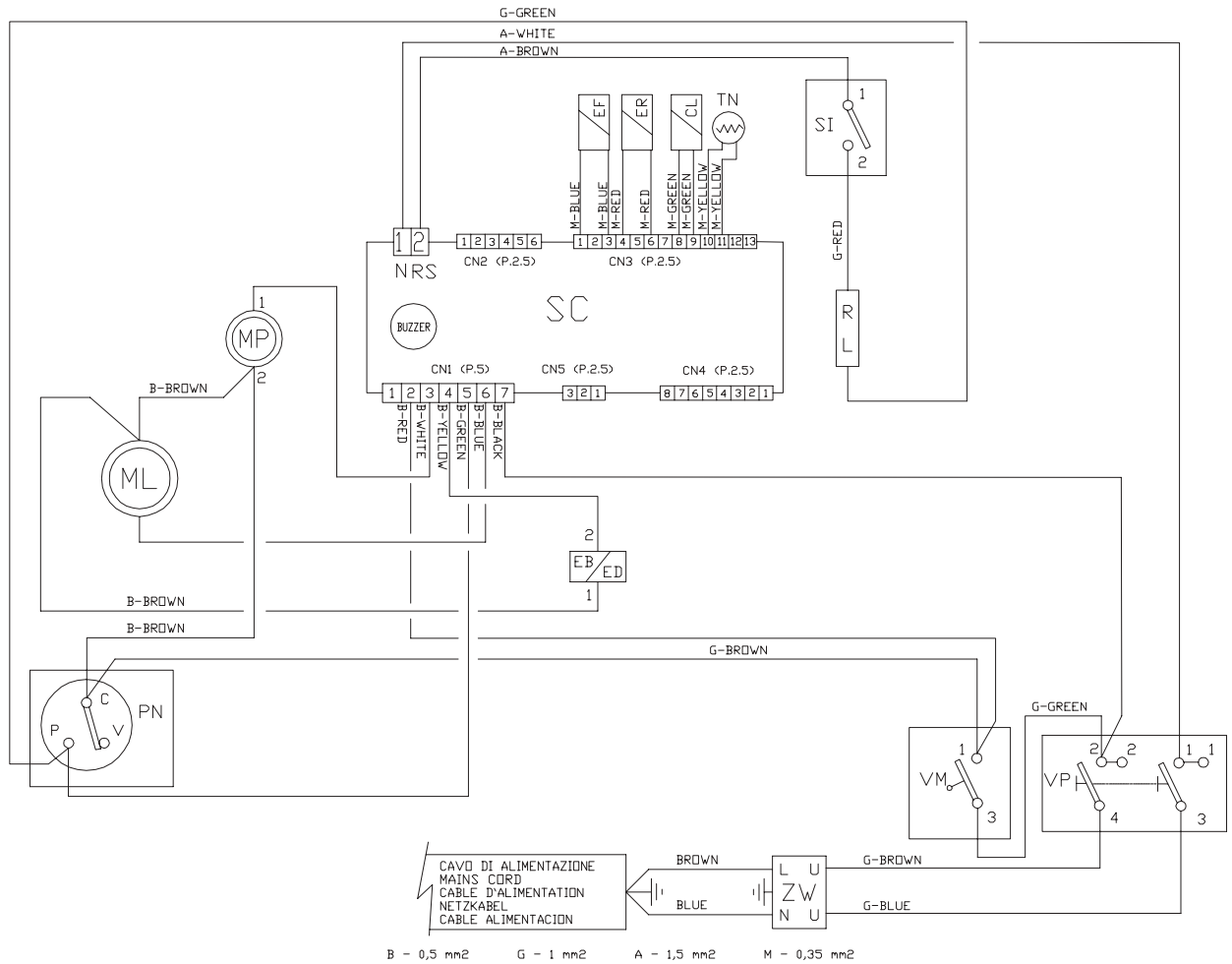
32000652 CDPE6320X 1121 (16/05/2011)

| Ref. | Descrizione - Description - Beschreibung - Descripcion | Ricambio<br>Part No.<br>Piece<br>E-Teil<br>Pieza | Inizio<br>Beginning<br>Debut<br>Begin<br>Inicio | Fine<br>Ending<br>Fin<br>End<br>Fin |
|------|--|--|---|-------------------------------------|
| 321d | Non return valve                                       | 91941700   |   |                                     |
| 322  | Seal   | 91406301   |   |                                     |
| 323  | Seal   | 41009258   |   |                                     |
| 330  | Subseq.runner ass.support                              | 91670988   |   |                                     |
| 332  | Botton cover   | 41026807   |   |                                     |
| 333  | Water softener reed                                    | 49016819   |   |                                     |
| 362  | Wheel support reinforc.                                | 91602344   |   |                                     |
| 364  | Upper basket stopper                                   | 91601047   |   |                                     |
| 377  | Center square  | 91621961   |   |                                     |
| 377a | Upper center square                                    | 41024985   |   |                                     |
| 395  | Air break ring nut                                     | 41029447   |   |                                     |
| 402  | Harness protection                                     | 41033546   |   |                                     |
| 408a | R/H later.panel  | 41900101   |   |                                     |
| 408b | L/H later.panel  | 41900102   |   |                                     |
| 474  | Safety switch  | 41020658   |   |                                     |
| 474a | Gasket safety switch                                   | 41009096   |   |                                     |
| 491  | Main cable   | 41034787   |   |                                     |
| 492  | Socle  | 41900029   |   |                                     |
| 493  | Upper cover  | 41017653   |   |                                     |
| 498  | Hose   | 41027168   |   |                                     |
| 797  | Hook   | 92734912   |   |                                     |
| 798  | Clutch body  | 41026792   |   |                                     |
| 799  | Clutching band   | 92895838   |   |                                     |
| 839  | Clip   | 92470277   |   |                                     |
| 999  | Wiring diagram   | 41029152   |   |                                     |

| CODICE<br>CODE<br>CODE<br>CODIGO | DENOMINAZIONE<br>DESCRIPTION<br>BESCHREIBUNG<br>DENOMINACION | STOCK<br>STOCK<br>STOCK<br>STOCK | COMPOSIZIONE<br>COMPOSITION<br>KOMPOSITION<br>COMPOSICION | SCHEDA<br>SCHEDA<br>SCHEDA<br>SCHEDA |
|----------------------------------|--|----------------------------------|---|--------------------------------------|
| 32000425                         | CD 455/2-47  | 47                               | V1-PD   | 41029101                             |
| 32000423                         | CDF8 615/1-01  | 01                               | RA  | 41029106                             |
| 32000424                         | CDF8 315/1-01  | 01                               | RA  | 41029105                             |
| 32900168                         | CDI 1010/2-S   | 01                               | -   | 41029103                             |
| 32900170                         | CDI 3515/1-02  | 01                               | LDA   | 41029102                             |
| 32000431                         | CDF8 648X/1-47   | 47                               | RA  | 41029106                             |
| 32000432                         | CDF8 648/1-47  | 47                               | RA  | 41029106                             |
| 32000433                         | CDF8 349/1-47  | 47                               | RA  | 41029105                             |
| 32000435                         | CDF8 348/1-47  | 47                               | RA  | 41029105                             |
| 32000436                         | CDF8 615X/1-47   | 47                               | RA  | 41029106                             |
| 32000437                         | CD 222A/1-S  | 41                               | V1-PD   | 41029101                             |
| 32000438                         | CD 132/1-S   | 41                               | V1-PD   | 41029101                             |
| 32000434                         | CDF8 348X/1-47   | 47                               | RA  | 41029105                             |
| 32000442                         | CDF8 315/1-S   | 01                               | RA  | 41029105                             |
| 32000439                         | CDF8 312X/1-S  | 01                               | RA  | 41029105                             |
| 32000441                         | CDF8 312/1-S   | 01                               | RA  | 41029105                             |
| 32000440                         | CDF8 322/1-S   | 01                               | RA  | 41029105                             |
| 32000480                         | CDF8 647X-47   | 47                               | RA-MB   | 41027100                             |
| 32000479                         | CDF8 647-47  | 47                               | RA-MB   | 41027100                             |
| 32000472                         | CDF8 60E10-S   | 36                               | RA-MB   | 41027100                             |
| 32000473                         | CDF8 60E10X-S  | 36                               | RA-MB   | 41027100                             |
| 32000474                         | CDF8 65E10-S   | 36                               | RA-MB-AS  | 41027100                             |
| 32000475                         | CDF8 65E10-01  | 01                               | RA-MB   | 41027100                             |
| 32000476                         | CDF8 65E10X-01   | 01                               | RA-MB   | 41027100                             |
| 32000447                         | HDD 646 BL/1-47  | 47                               | RA  | 41027100                             |
| 32000455                         | HND 645/1-86   | 86                               | RA  | 41029104                             |
| 32000456                         | HND 547/1-86   | 86                               | RA  | 41029104                             |
| 32000457                         | HDD 6 BL/1-86  | 86                               | RA  | 41027100                             |
| 32000461                         | HDD 6/1-S  | 01                               | RA  | 41027100                             |
| 32000462                         | HDD 6 BL/1-S   | 01                               | RA  | 41027100                             |
| 32000463                         | HDD 6615BL/1-80  | 80                               | RA  | 41027100                             |
| 32000464                         | HDD 6615/1-80  | 80                               | RA  | 41027100                             |
| 32000482                         | CDF8 382-37  | 37                               | -   | 41029105                             |
| 32000483                         | CDF8 382X-37   | 37                               | -   | 41029105                             |
| 32900182                         | CDI 1012/A-80  | 80                               | -   | 41029103                             |
| 32900183                         | CDI 2012E10-02   | 02                               | WM-TA-LDA   | 41030216                             |
| 32900189                         | CDI 2012/1-02  | 02                               | LDA   | 41029102                             |
| 32900188                         | CDS 155X/1-S   | 02                               | SD-LDA-V1-PD  | 41029100                             |
| 32900185                         | CDS 220W/1-S   | 02                               | LDA-V1-PD   | 41029100                             |
| 32900187                         | CDS 220X/1-S   | 02                               | LDA-V1-PD   | 41029100                             |
| 32900186                         | CDS 220N/1-S   | 02                               | LDA-V1-PD   | 41029100                             |
| 32900190                         | CDI 2012E10-S  | 02                               | WM-TA-LDA   | 41030216                             |
| 32900184                         | CDI 2012/1-S   | 36                               | LDA   | 41029102                             |
| 32900206                         | CDI 2612-47  | 47                               | LDA   | 41029102                             |
| 32900203                         | CDS 330W-47  | 47                               | SD-LDA-V1-PD  | 41029100                             |
| 32900202                         | CDS 330N-47  | 47                               | SD-LDA-V1-PD  | 41029100                             |
| 32900204                         | CDS 330X-47  | 47                               | SD-LDA-V1-PD  | 41029100                             |
| 32900191                         | CDI 3515/1-S   | 01                               | LDA-AS  | 41029102                             |
| 32900200                         | CDI 20E10-80   | 80                               | WM-TA-LDA   | 41030216                             |
| 32900221                         | CDS 530W-47  | 47                               | SD-LDA-V1-PD-WM-TA  | 41030216                             |
| 32900205                         | CDS 530N-47  | 47                               | SD-LDA-V1-PD-WM-TA  | 41030216                             |
| 32900220                         | CDS 530X-47  | 47                               | SD-LDA-V1-PD-WM-TA  | 41030216                             |
| 32900216                         | RLI 61 RB-47   | 47                               | SD-LDA-V1-PD-LB   | 41029100                             |
| 32900210                         | RLF 101-47   | 47                               | LDA   | 41029102                             |
| 32900209                         | RLF 58/1-47  | 47                               | LDA   | 41029102                             |
| 32900214                         | RLI 61 PN-47   | 47                               | SD-LDA-V1-PD-LB   | 41029100                             |
| 32900215                         | RLI 61 IN-47   | 47                               | SD-LDA-V1-PD-LB   | 41029100                             |
| 32900211                         | RLI 71 VV-47   | 47                               | SD-LDA-V1-PD-LB   | 41029100                             |
| 32900212                         | RLI 71 AV-47   | 47                               | SD-LDA-V1-PD-LB   | 41029100                             |
| 32900213                         | RLI 71 BA-V-47   | 47                               | SD-LDA-V1-PD-LB   | 41029100                             |
| 32900196                         | HLSI 2000/1-30   | 30                               | LDA   | 41029102                             |
| 32900199                         | HFI 3015/1-80  | 80                               | LDA   | 41029102                             |
| 32900198                         | HFI 3G10-80  | 80                               | LDA-MB  | 41027100                             |
| 32900197                         | HLSI 300G-S  | 36                               | LDA-MB  | 41027100                             |
| 32900207                         | HGOI 300G-86   | 86                               | LDA-MB  | 41027100                             |

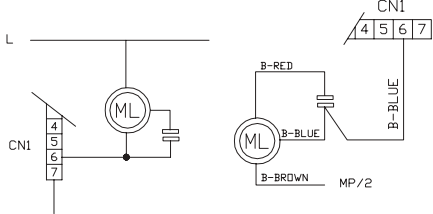
|   |   |                                       |
|---|---|---------------------------------------|
|                               | VARIANTI SIGNIFICATIVE<br>SIGNIFICANT VARIATIONS<br>VARIATIONS SIGNIFICATIVES<br>BEZEICHNENDE VARIANTEN<br>VARIANTES SIGNIFICATIVAS |                                       |
|   | DATA-DATE-DATE<br>DATUM - FECHA   | INDICE-INDEX-INDEX<br>ANZEIGER-INDICE |
| LAVASTOVIGLIE -DISHWASHER-LAVE VAISSELLE<br>GESCHIRRSPUELAUTOMAT-LAVAVAJILLAS                                     | 30.05.08  | A00                                   |
|   | 15.01.09  | A07                                   |
| <b>SCHEMA ELETTRICO</b><br>ELECTRICAL DIAGRAMS - SCHEMAS ELETRIQUE<br>ELEKTRISCHE SCHALTPLASE - ESQUEMA ELECTRICO |   |                                       |
| CODICE DISEGNO - DRAWING CODE - CODE SCHEMA ELECTRIQUE - ELEKTRISCHE SCHEMA CODE - CODIGO DISEÑO                  |   |                                       |
| 41029152  |   |                                       |

RIPRODUZIONE VIETATA - FORBIDDEN REPRODUCTION - REPRODUCTION INTERDITE - NACHDRUCK VERBOTEN - REPRODUCCION PROHIBIDA



B - 0,5 mm<sup>2</sup>    G - 1 mm<sup>2</sup>    A - 1,5 mm<sup>2</sup>    M - 0,35 mm<sup>2</sup>

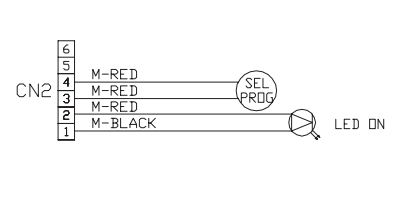
WM - WIMER PUMP(MOTORE WIMER)



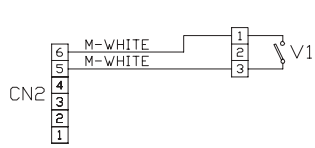
MV - DRYER SYSTEM(VENTOLA DI ASCIUGATURA)



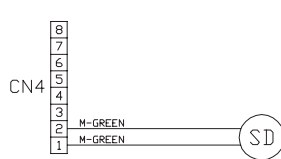
PD - (PROGRAM SELECTOR)SELETTORE PROGRAMMI ECO



V1 - OPTION SWITCH(TASTO OPZIONE)



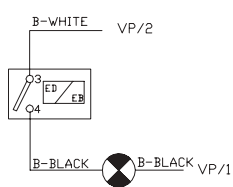
SD - START DELAY(PARTENZA RITARDATA)



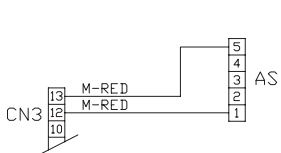
LDA - LOW VOLTAGE LED(LED SALE A BASSA TENSIONE)



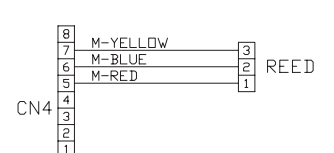
LB - REED BRILLANTE(ECO)



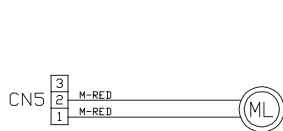
AS - ACQUASTOP



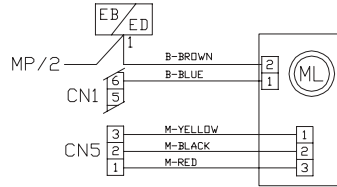
RA - REED SALT(REED SALE)



TA - TACHO(DINAMO TACHIMETRICA)



MB - MOTOR BRUSHLESS(MOTORE BRUSHLESS)



NOTA:THE NUMERATION OF THE CONNECTORS IS FOR CONNECTORS STOCKO  
THE NUMERATION OF THE CONNECTORS TYCO-AMP IS OPPOSITE THEN STOCKO

# LAVASTOVIGLIE - DISHWASHER - LA VEVAISSELLE - GHESCHIRSPUELER - LAVAVAJILLAS

## LEGENDA COMPONENTI LAVAGGIO - WASHING COMPONENTS LIST - LISTE COMPOSANTES LAVAGE - WASCHUNG KOMPONENTEN LISTE - LEYENDA COMPONENTES LAVADO

|        |   |   |
|--------|---|---|
| 40     | - | SENSORE - SENSOR - SENSOR   |
| 41     | - | SCHEDA TERMOSTATO - ELECTRONIC MODULE - MODULE ELECTRONIQUE - ELEKTRONISCHER MODUL - MODULO ELECTRONICO   |
| AS     | - | SISTEMA ACQUA STOP - WATER STOP SYSTEM - SYSTEM EAU STOP - STOP WASSER SYSTEM - SISTEMA AGUA STOP   |
| BL 1   | - | BASSETTA DI LINEA - LINE PLATE - PLAQUETTE DE LIGNE - LINIE SOCKEL - PLACA DE LINEA   |
| CA 28  | - | CONDENSATORE - CAPACITOR - CONDENSATEUR - KONDENSATOR - CONDENSADOR   |
| CL     | - | CONTALITRI - LITER-COUNTER - COMTE-LITRES - LITER-ZAEHLER - CONTALITROS   |
| EB 53  | - | ELETTROVALVOLA BRILLANTANTE - RINSER ELECTRICVALVE - ELECTROVANNE PRODUIT DE RINCAGE - KLARSPUELMITTEL ELEKTROVENTIL - ELECTROVALVULA ABRILLANTADOR     |
| EC     | - | ELETTROVALVOLA ACQUA CALDA - WARM WATER ELECTRICVALVE - ELECTROVANNE EAU CHAUDE - WARMWASSER ELEKTROVENTIL - ELECTROVALVULA AGUA CALIENTE               |
| ED 113 | - | ELETTROVALVOLA DETERSIVO - DETERGENT ELECTRICVALVE - ELECTROVANNE DETERSIF - SPUELMITTEL ELEKTROVENTIL - ELECTROVALVULA DETERGENTE                      |
| EF 23  | - | ELETTROVALVOLA ACQUA FREDDA - COLD WATER ELECTRIC VALVE - ELECTROVANNE EAU FROIDE - KALTESWASSER ELEKTROVENTIL - ELECTROVALVULA AGUA FRIA               |
| EI     | - | ELETTROVALVOLA INTERCETTATRICE - INTERCEPTING ELECTRICVALVE - ELECTROVANNE IINTERCEPTION - SPERR-ELEKTROVENTILL   |
| ER 38  | - | ELETTROVALVOLA RIGENERO - REGENERATION SOLENOID-VALVE - ELECTROVANNE REGENERATION - REGENERLERUNGS-ELEKTROVENTIL - ELECTROVALVULA REGENERACION          |
| ES     | - | ELETTROVALVOLA SERBATOIO - TANK ELECTRICVALVE - ELECTROVANNE RESERVOIR - ELECTROVENTILL-BEHAELTER - ELECTROVALVULA CUBETA                               |
| FA 152 | - | FILTRO AUTOPULENTE - SELF-CLEANING FILTER - FILTRE AUTO-NETTOYANT - SELBSTREINIGENDER FILTER - FILTRO AUTOLIMPIANTE                                     |
| FB     | - | BASSA TEMPERATURA - LOW TEMPERATURE - BASSE TEMPERATURE - NIEDRIGE TEMPERATUR - BAJA TEMPERATURA  |
| FK     | - | VARIANTE STOCK UK - STOCK UK VARIATION - VARIATION STOCK UK - ANDERUNG STOCK UK - VARIANTE STOCK UK   |
| FN     | - | VARIANTE STOCK NORD - STOCK NORD VARIATION - VARIATION STOCK NORD - ANDERUNG STOCK NORD - VARIANTE STOCK NORDICO  |
| FR     | - | TRE RISCIAQUI - THREE RINSES - TROI RINCAGES - DREI SPUELUNGEN - TRES ACLARADOS   |
| FT     | - | TERMOFUSIBILE - THERMOFUSE - THERMOFUSIBLE - THERMOSICHERUNG - TERMOFUSIBLE   |
| FV     | - | VARIANTE 115V/60Hz - 115V/60Hz VARIATION - VARIATION 115V/60Hz - ANDERUNG 115V/60Hz - VARIANTE 115V/60Hz  |
| GS     | - | MORSETTO TERRA SPORTELLO - DOOR GROUND CONNECTION - SERRE CABLE DE SOL PORTILLON - KLAPPE ERDKLEMME - TOMA TIERRA PUERTA                                |
| GT     | - | MORSETTO GENERALE DI TERRA - GROUND CONNECTION - SERRE-CABLE DE SOL - ERDKLEMME - TOMA GENERAL TIERRA   |
| LA 97  | - | SPIA SALE - SALT LAMP - LAMPE SEL - SALT KONTROLL LAMPE - PILOTO SAL  |
| LB 148 | - | SPIA BRILLANTANTE - RINSE AID PILOT LAMPE - LAMPE TEMOIN PROD. RINCAGE - KLARSPUEL KONTROLLAMPE - PILOTO ABRILLANTADOR                                  |
| LN     | - | SPIA ASCIUGATURA NATURALE - NATURAL DRYNG PILOT LAMPE - LAMPE SECHAGE NATUREL - NATURAL TROCKNUNG-KONTROLLAMPE - PILOTO SECADO NATURAL                  |
| LR 116 | - | SPIA CICLO RAPIDO - FAST PROGRAMME PILOT LAMP - LAMPE TEMOIN PROGRAMME RAPID - SCHNELL PROGRAMM KONTROLLAMPE - PILOTO CICLO RAPIDO                      |
| LS 16  | - | SPIA GENERALE - PILOT LAMP - LAMPE TEMOIN - KONTROLLAMPE - PILOTO MARCHA  |
| ML 20  | - | MOTOPOMPA - MOTOR PUMP - MOTORPOMPE - MOTOPUMPE - MOTOBOMBA   |
| MP 24  | - | ELETTROPOMPA - ELECTROPUMP - POMPE DE VIDANGE - ELEKTROPUMPE - ELEKTROBOMBA VACJADO   |
| MR 82  | - | MOTORE TIMER AUSILIARIO - AUXILARY TIMER MICROMOTOR - MOTEUR TIMER AUXILLAIRE - HILFSLIMER-MOTOR MOTORCITO PROGRAMADOR                                  |
| MT 10  | - | TIMER - TIMER - TIMER - TIMER - PROGRAMADOR   |
| MV     | - | VENTOLA DI ASCIUGATURA - DRYING FAN - HELICE ESSORAGE - TROCKEN UNGSFLUEGEL - VENTILADOR DE SECADO  |
| PN 18  | - | PRESSOSTATO - LEVEL SWITCH - NIVEAUREGLER - PRESSOSTAT - PRESOSTATO   |
| PS 117 | - | PRESSOSTATO DI SICUREZZA - SAFETY PRESSOSTAT - PRESSOSTAT SURETE - SICHERHEIT PRESSOSTAT - PRESOSTATO SEGURIDAD   |
| RA     | - | RESISTENZA ASCIUGATURA - DRYING HEATER - RESISTANCE SECHAGE - TROCKNUNG HEIZWIDERSTAND - RESISTENCIA SECADO   |
| RL 21  | - | RESISTENZA LAVAGGIO - TUMBLE HEATER - RESISTANCE LAVAGE - WASCHUNG HEIZWIDERSTAND - RESISTENCIA LAVADO  |
| SA 156 | - | SUONERIA - RINGER - SONNERIE - LAUTWERK - ALARMA  |
| SC     | - | SCHEDA ELETTRONICA - ELECTRONIC MODULE -MODULE ELECTRONIQUE - ELEKTRONISCHER MODUL - MODULO ELECTRONICO   |
| SD 76  | - | RITARDATORE DI PARTENZA - START DELAY - RETARDATEUR DE DEPART - START-VERSPAETER - RETARDADOR DE MARCHA   |
| TB     | - | TERMOSTATO BASSA TEMPERATURA - LOW TEMPERATURE THERMOSTAT - THERMOSTAT BASSE TEMPERATURE - NIEDRIGE TEMPERATUR THERMOSTAT - TERMOSTATO BAJA TEMPERATURA |

# LAVASTOVIGLIE - DISHWASHER - LA VEVAISSELLE - GHESCHIRSPUELER - LAVAVAJILLAS

|         |   |   |
|---------|---|---|
| TC 19   | - | TERMOSTATO DI CONSENSO 55°C - TIMER FED VIA THERMOSTAT NA.55°C - ALIMENTATION TIMER VIA THERMOSTAT NA 55°C - TIMER SPEISUNG VIA THERMOSTAT NA 55°C - TERMOSTATO DE PASO PROGRAMADOR 55°C        |
| TK      | - | TERMOSTATO DI CONSENSO 65°C - TIMER FED VIA THERMOSTAT NA 65°C - ALIMENTATION TIMER VIA THERMOSTAT NA 65°C -TIMER SPEISUNG VIA THERMOSTAT NA 65°C - TERMOSTATO DE PASO PROGRAMADOR 65°C -       |
| TM 54   | - | TERMOSTATO DI MASSIMA - SECURITY THERMOSTAT - THERMOSTAT DE SICURITE - SICHERHELTS-THERMOSTAT - TERMOSTATO MAXIMA   |
| TN      | - | TERMOSTATO 30°/90° - 30°/90° THERMOSTAT - THERMOSTAT 30°/90° - 30°/90° THERMOSTAT - TERMOSTATO 30°/90°  |
| TR      | - | TERMOSTATO REGOLABILE - ADJUSTABLE THERMOSTAT - THERMOSTAT REGABLE - EINSTELLBAR THERMOSTAT - TERMOSTATO REGULABLE  |
| VA 92   | - | TASTO RICERCA PROGRAMMI - PROGRAMME SELECTION BUTTON - TOUCHE RECHARGE PROGRAMMES - PROGRAMM-WAHLTASTE . TECLA SELECCION PROGRAMAS  |
| VB      | - | TASTO BASSA TEMPERATURA - LOW TEMPERATURE BUTTON - TOUCHE BASSE TEMPERATURE - NIEDRIGE TEMPERATUR TASTE - TECLA BAJA TEMPERATURA  |
| VC 118- | - | TASTO CICLO RAPIDO- FAST PROGRAMME BUTTON - TOUCHE PROGRAMME RAPID - SCHNELLPROGRAMM-TASTE - TECLA CICLO RAPIDO   |
| VD      | - | TASTO RITARDATORE DI PARTENZA - START DELAY - START DELAY - START DELAY - RETARDO MARCHA  |
| VE 34   | - | TASTO ECONOMICO - SAVE KNOB - TOUCHE ECONOMIQUE - SPAR-TASTO - TECLA ECONOMICO  |
| VF 155- | - | TASTO PRELAVAGGIO FREDDO - COLD PRE-WASHING KNOB - TOUCHE PRE-LAVAGE FROID - KALT PRE-AUSWASCHUNG TASTE - TECLA PRELAVADO FRIO  |
| VG      | - | TASTO ALTA TEMPERATURA - HIGH TEMPERATURE BUTTON - TOUCHE HAUTE TEMPERATURE - HOHE TEMPERATUR-TASTE - TECLA TEMPERATURA ALTA  |
| VH      | - | TASTO ASCIUGATURA FORZATA - FORCED DRYING BUTTON - TOUCHE SECHAGE FORCE - ERZWUNGENETROCKNUNG TASTE - TECLA SECADO FORZADO  |
| VI      | - | TASTO INTENSIVO - INTENSIVE BUTTON - TOUCHE INTENSIF - TIEFE TASTE - TECLA ENERGICO   |
| VL      | - | TASTO PLUS - PLUS KEY - TOUCHE PLUS - PLUS TASTE - TECLA PLUS   |
| VM 52   | - | MICROINTERRUPTORE DI PORTA - DOOR MICROSWITCH - MICROINTERRUPTEUR PORTE - TUER MIKROSCHALTER - MICRO PUERTA   |
| VN      | - | TASTO ASCIUGATURA NATURALE - NATURAL DRYNG BUTTON - TOUCHE SECHAGE NATURAL - NATURALTROCKNUNG-TASTE - TECLA SECADO NATURAL  |
| VO      | - | TASTO MEZZO CARICO - HALF LOAD BUTTON - TOUCHE DEMI CHARGE - HALB LADUNG-TASTE - TECLA ½ CARGA  |
| VP 17   | - | TASTO MARCIA/ARRESTO - STOP/START KEY - MARCHE/ARRET TOUCHE - EIN/AUS SCHALTER - TECLA MARCHA PARADA  |
| VR      | - | TASTO INSERIMENTO DECALCIFICATORE - WATER SOFTNER FUNCTIONING BUTTON - TOUCHE FONCTIONNEMENT ADOUCISSEUR D'EAU - ENTHAERTUNGSANLAGE FUNKTIONIERUNG TASTE - TECLA FUNCIONAMIENTO DESCALCIFICADOR |
| VS 93   | - | TASTO CICLO FORTE - INTENSIVE PROGRAMME BUTTON - TOUCHE PROGRAMME INTENSIF - INTENSIVE PROGRAMM-TASTE - TECLA CICLO ENERGICO  |
| VT      | - | TASTO 2 O 3 RISCIACQUI - 2 OR 3 RINSE PUSH BUTTON - TOUCHE 2 O 3 RINCAGE - 2 ODER 3 SPUELUNG TASTE - TECLA 2 O 3 ACLARADOS  |
| VU 94   | - | TASTO PROGRAMMA UNIVERSALE - UNIVERSAL PROGRAMME BUTTON - TOUCHE PROGRAMME UNIVERSAL - UNIVERSALPROGRAMM-TASTE - TECLA PROGRAMA UNIVERSAL   |
| VV 95   | - | TASTO PROGRAMMA DELICATO - DELICATE PROGRAMME BUTTON - TOUCHE PROGRAMME DELICAT - FEINPROGRAMM-TASTE - TECLA PROGRAMA DELICADO  |
| VY      | - | TASTO ECO-DRY - ECO-DRY BUTTON - TOUCHE ECO-DRY - ECO-DRY TASTE - TECLA ECO-DRY   |
| ZR      | - | RELE' - RELAY - RELAIS - RELAIS - RELE  |
| ZT      | - | TRASFORMATORE - TRANSFORMER - TRANSFORMATEUR - TRANSFORMATOR - TRANSFORMADOR  |
| ZW 27   | - | FILTRO ANTIDISTURBO - ANTIJAMMING FILTER RADIO - ( RADIO ) ELIMINATEUR - ENTSTEERUNGSFILTER - FILTRO ANTIPARASITARIO  |







|     | A   | B        | C   | D        | E                    | F               | G                | H               | I          | J           | K            | L         | M            | N            | O      | P       | Q | R | S | T | U | V                  | W |
|-----|---|----------|-----|----------|----------------------|-----------------|------------------|-----------------|------------|-------------|--------------|-----------|--------------|--------------|--------|---------|---|---|---|---|---|--------------------|---|
|     | OPZIONE PLUS  |          |     |          |                      |                 |                  |                 |            |             |              |           |              |              |        |         |   |   |   |   |   | Tempistica<br>step |   |
|     | FASI DI LAVAGGIO  |          |     |          |                      |                 |                  |                 |            |             |              |           |              |              |        |         |   |   |   |   |   |                    |   |
|     | NOTTE   | ECO PLUS | ECO | DELICATO | AUTO UNIVERSALE PLUS | AUTO UNIVERSALE | AUTO GIORNALIERO | UNIVERSALE PLUS | UNIVERSALE | GIORNALIERO | IGIENIZZANTE | INTENSIVO | FORTE VELOCE | CLASSE A 59' | RAPIDO | AMMOLLO |   |   |   |   |   |                    |   |
| 1   | ALTERATORE  |          |     |          |                      |                 |                  |                 |            |             |              |           |              |              |        |         |   |   |   |   |   |                    |   |
| 2   | RISCIACQUO RESINE ***   |          |     |          |                      |                 |                  |                 |            |             |              |           |              |              |        |         |   |   |   |   |   |                    |   |
| 3   | *Carico (C) Scarico Sc.Resine   |          |     |          |                      |                 |                  |                 |            |             |              |           |              |              |        |         |   |   |   |   |   |                    |   |
| 4   | *Carico (C) Scarico Sc.Resine   |          |     |          |                      |                 |                  |                 |            |             |              |           |              |              |        |         |   |   |   |   |   |                    |   |
| 5   | *Carico (C) Scarico Sc.Resine   |          |     |          |                      |                 |                  |                 |            |             |              |           |              |              |        |         |   |   |   |   |   |                    |   |
| 6   | PRELAVAGGIO   |          |     |          |                      |                 |                  |                 |            |             |              |           |              |              |        |         |   |   |   |   |   |                    |   |
| 7   | Carico (P) Scarico  |          |     |          |                      |                 |                  |                 |            |             |              |           |              |              |        |         |   |   |   |   |   |                    |   |
| 8   | Carico (C)  |          |     |          |                      |                 |                  |                 |            |             |              |           |              |              |        |         |   |   |   |   |   |                    |   |
| 9   | Pausa   |          |     |          |                      |                 |                  |                 |            |             |              |           |              |              |        |         |   |   |   |   |   |                    |   |
| 10  | Carico (C) Lavaggio   |          |     |          |                      |                 |                  |                 |            |             |              |           |              |              |        |         |   |   |   |   |   |                    |   |
| 11  | Carico (P) Lavaggio   |          |     |          |                      |                 |                  |                 |            |             |              |           |              |              |        |         |   |   |   |   |   |                    |   |
| 12  | Lavaggio Resistenza   |          |     |          |                      |                 |                  |                 |            |             |              |           |              |              |        |         |   |   |   |   |   |                    |   |
| 13  | Lavaggio  |          |     |          |                      |                 |                  |                 |            |             |              |           |              |              |        |         |   |   |   |   |   |                    |   |
| 14  | Lavaggio  |          |     |          |                      |                 |                  |                 |            |             |              |           |              |              |        |         |   |   |   |   |   |                    |   |
| 15  | Lavaggio Scarico  |          |     |          |                      |                 |                  |                 |            |             |              |           |              |              |        |         |   |   |   |   |   |                    |   |
| 16  | Pausa   |          |     |          |                      |                 |                  |                 |            |             |              |           |              |              |        |         |   |   |   |   |   |                    |   |
| 17  | Carico (T) Scarico Pulizia filtro   |          |     |          |                      |                 |                  |                 |            |             |              |           |              |              |        |         |   |   |   |   |   |                    |   |
| 18  | LAVAGGIO  |          |     |          |                      |                 |                  |                 |            |             |              |           |              |              |        |         |   |   |   |   |   |                    |   |
| 19  | Carico (P)  |          |     |          |                      |                 |                  |                 |            |             |              |           |              |              |        |         |   |   |   |   |   |                    |   |
| 20  | Carico (C)  |          |     |          |                      |                 |                  |                 |            |             |              |           |              |              |        |         |   |   |   |   |   |                    |   |
| 21  | Pausa   |          |     |          |                      |                 |                  |                 |            |             |              |           |              |              |        |         |   |   |   |   |   |                    |   |
| 22  | Carico (C) Lavaggio   |          |     |          |                      |                 |                  |                 |            |             |              |           |              |              |        |         |   |   |   |   |   |                    |   |
| 23  | Carico (P) Lavaggio   |          |     |          |                      |                 |                  |                 |            |             |              |           |              |              |        |         |   |   |   |   |   |                    |   |
| 24  | Lavaggio Detersivo  |          |     |          |                      |                 |                  |                 |            |             |              |           |              |              |        |         |   |   |   |   |   |                    |   |
| 25  | Lavaggio  |          |     |          |                      |                 |                  |                 |            |             |              |           |              |              |        |         |   |   |   |   |   |                    |   |
| 26  | Lavaggio Resistenza   |          |     |          |                      |                 |                  |                 |            |             |              |           |              |              |        |         |   |   |   |   |   |                    |   |
| 27  | Lavaggio  |          |     |          |                      |                 |                  |                 |            |             |              |           |              |              |        |         |   |   |   |   |   |                    |   |
| 28  | Lavaggio Scarico  |          |     |          |                      |                 |                  |                 |            |             |              |           |              |              |        |         |   |   |   |   |   |                    |   |
| 29  | Lavaggio  |          |     |          |                      |                 |                  |                 |            |             |              |           |              |              |        |         |   |   |   |   |   |                    |   |
| 30  | Lavaggio  |          |     |          |                      |                 |                  |                 |            |             |              |           |              |              |        |         |   |   |   |   |   |                    |   |
| 31  | Carico (C) Lavaggio   |          |     |          |                      |                 |                  |                 |            |             |              |           |              |              |        |         |   |   |   |   |   |                    |   |
| 32  | Carico (P) Lavaggio   |          |     |          |                      |                 |                  |                 |            |             |              |           |              |              |        |         |   |   |   |   |   |                    |   |
| 33  | Lavaggio  |          |     |          |                      |                 |                  |                 |            |             |              |           |              |              |        |         |   |   |   |   |   |                    |   |
| 34  | Lavaggio Scarico  |          |     |          |                      |                 |                  |                 |            |             |              |           |              |              |        |         |   |   |   |   |   |                    |   |
| 35  | Lavaggio  |          |     |          |                      |                 |                  |                 |            |             |              |           |              |              |        |         |   |   |   |   |   |                    |   |
| 36  | Lavaggio  |          |     |          |                      |                 |                  |                 |            |             |              |           |              |              |        |         |   |   |   |   |   |                    |   |
| 37  | Lavaggio  |          |     |          |                      |                 |                  |                 |            |             |              |           |              |              |        |         |   |   |   |   |   |                    |   |
| 38  | Carico (C) Lavaggio   |          |     |          |                      |                 |                  |                 |            |             |              |           |              |              |        |         |   |   |   |   |   |                    |   |
| 39  | Carico (P) Lavaggio   |          |     |          |                      |                 |                  |                 |            |             |              |           |              |              |        |         |   |   |   |   |   |                    |   |
| 40  | Lavaggio  |          |     |          |                      |                 |                  |                 |            |             |              |           |              |              |        |         |   |   |   |   |   |                    |   |
| 41  | Lavaggio Scarico  |          |     |          |                      |                 |                  |                 |            |             |              |           |              |              |        |         |   |   |   |   |   |                    |   |
| 42  | Lavaggio Scarico  |          |     |          |                      |                 |                  |                 |            |             |              |           |              |              |        |         |   |   |   |   |   |                    |   |
| 43  | Carico (C) Scarico Pulizia filtro   |          |     |          |                      |                 |                  |                 |            |             |              |           |              |              |        |         |   |   |   |   |   |                    |   |
| 44  | Lavaggio Scarico  |          |     |          |                      |                 |                  |                 |            |             |              |           |              |              |        |         |   |   |   |   |   |                    |   |
| 45  | RISCIACQUO FREDDO   |          |     |          |                      |                 |                  |                 |            |             |              |           |              |              |        |         |   |   |   |   |   |                    |   |
| 46  | Carico (P)  |          |     |          |                      |                 |                  |                 |            |             |              |           |              |              |        |         |   |   |   |   |   |                    |   |
| 47  | Carico (C)  |          |     |          |                      |                 |                  |                 |            |             |              |           |              |              |        |         |   |   |   |   |   |                    |   |
| 48  | Carico (C) Lavaggio   |          |     |          |                      |                 |                  |                 |            |             |              |           |              |              |        |         |   |   |   |   |   |                    |   |
| 49  | Carico (P) Lavaggio   |          |     |          |                      |                 |                  |                 |            |             |              |           |              |              |        |         |   |   |   |   |   |                    |   |
| 50  | Lavaggio  |          |     |          |                      |                 |                  |                 |            |             |              |           |              |              |        |         |   |   |   |   |   |                    |   |
| 51  | Lavaggio  |          |     |          |                      |                 |                  |                 |            |             |              |           |              |              |        |         |   |   |   |   |   |                    |   |
| 52  | Lavaggio Scarico  |          |     |          |                      |                 |                  |                 |            |             |              |           |              |              |        |         |   |   |   |   |   |                    |   |
| 53  | Pausa   |          |     |          |                      |                 |                  |                 |            |             |              |           |              |              |        |         |   |   |   |   |   |                    |   |
| 54  | Lavaggio Scarico  |          |     |          |                      |                 |                  |                 |            |             |              |           |              |              |        |         |   |   |   |   |   |                    |   |
| 55  | RISCIACQUO CALDO  |          |     |          |                      |                 |                  |                 |            |             |              |           |              |              |        |         |   |   |   |   |   |                    |   |
| 56  | Carico (P)  |          |     |          |                      |                 |                  |                 |            |             |              |           |              |              |        |         |   |   |   |   |   |                    |   |
| 57  | Carico (C)  |          |     |          |                      |                 |                  |                 |            |             |              |           |              |              |        |         |   |   |   |   |   |                    |   |
| 58  | Carico (C) Lavaggio   |          |     |          |                      |                 |                  |                 |            |             |              |           |              |              |        |         |   |   |   |   |   |                    |   |
| 59  | Carico (P) Lavaggio   |          |     |          |                      |                 |                  |                 |            |             |              |           |              |              |        |         |   |   |   |   |   |                    |   |
| 60  | Lavaggio  |          |     |          |                      |                 |                  |                 |            |             |              |           |              |              |        |         |   |   |   |   |   |                    |   |
| 61  | Lavaggio Rigenero   |          |     |          |                      |                 |                  |                 |            |             |              |           |              |              |        |         |   |   |   |   |   |                    |   |
| 62  | Lavaggio Resistenza   |          |     |          |                      |                 |                  |                 |            |             |              |           |              |              |        |         |   |   |   |   |   |                    |   |
| 63  | Lavaggio Brillantante   |          |     |          |                      |                 |                  |                 |            |             |              |           |              |              |        |         |   |   |   |   |   |                    |   |
| 64  | ASCIUGATURA TRADIZIONALE  |          |     |          |                      |                 |                  |                 |            |             |              |           |              |              |        |         |   |   |   |   |   |                    |   |
| 65  | Lavaggio Resistenza valore Eeprom   |          |     |          |                      |                 |                  |                 |            |             |              |           |              |              |        |         |   |   |   |   |   |                    |   |
| 66  | Lavaggio  |          |     |          |                      |                 |                  |                 |            |             |              |           |              |              |        |         |   |   |   |   |   |                    |   |
| 67  | Lavaggio Scarico  |          |     |          |                      |                 |                  |                 |            |             |              |           |              |              |        |         |   |   |   |   |   |                    |   |
| 68  | Carico (C)  |          |     |          |                      |                 |                  |                 |            |             |              |           |              |              |        |         |   |   |   |   |   |                    |   |
| 69  | Rigenero  |          |     |          |                      |                 |                  |                 |            |             |              |           |              |              |        |         |   |   |   |   |   |                    |   |
| 70  | Lavaggio Scarico  |          |     |          |                      |                 |                  |                 |            |             |              |           |              |              |        |         |   |   |   |   |   |                    |   |
| 71  | Pausa   |          |     |          |                      |                 |                  |                 |            |             |              |           |              |              |        |         |   |   |   |   |   |                    |   |
| 72  | Pausa   |          |     |          |                      |                 |                  |                 |            |             |              |           |              |              |        |         |   |   |   |   |   |                    |   |
| 73  | *Carico (C) Scarico Sc.Resine   |          |     |          |                      |                 |                  |                 |            |             |              |           |              |              |        |         |   |   |   |   |   |                    |   |
| 74  | * Scarico Sc.Resine   |          |     |          |                      |                 |                  |                 |            |             |              |           |              |              |        |         |   |   |   |   |   |                    |   |
| 75  | *Carico (C) Scarico Sc.Resine   |          |     |          |                      |                 |                  |                 |            |             |              |           |              |              |        |         |   |   |   |   |   |                    |   |
| 76  | * Scarico Sc.Resine   |          |     |          |                      |                 |                  |                 |            |             |              |           |              |              |        |         |   |   |   |   |   |                    |   |
| 77  | *Carico (C) Scarico Sc.Resine   |          |     |          |                      |                 |                  |                 |            |             |              |           |              |              |        |         |   |   |   |   |   |                    |   |
| 78  | * Scarico Sc.Resine   |          |     |          |                      |                 |                  |                 |            |             |              |           |              |              |        |         |   |   |   |   |   |                    |   |
| 79  | ASCIUGATURA VENTILATA   |          |     |          |                      |                 |                  |                 |            |             |              |           |              |              |        |         |   |   |   |   |   |                    |   |
| 80  | Lavaggio Resistenza   |          |     |          |                      |                 |                  |                 |            |             |              |           |              |              |        |         |   |   |   |   |   |                    |   |
| 81  | Lavaggio  |          |     |          |                      |                 |                  |                 |            |             |              |           |              |              |        |         |   |   |   |   |   |                    |   |
| 82  | Lavaggio Scarico  |          |     |          |                      |                 |                  |                 |            |             |              |           |              |              |        |         |   |   |   |   |   |                    |   |
| 83  | Carico (C)  |          |     |          |                      |                 |                  |                 |            |             |              |           |              |              |        |         |   |   |   |   |   |                    |   |
| 84  | Rigenero  |          |     |          |                      |                 |                  |                 |            |             |              |           |              |              |        |         |   |   |   |   |   |                    |   |
| 85  | Lavaggio Scarico  |          |     |          |                      |                 |                  |                 |            |             |              |           |              |              |        |         |   |   |   |   |   |                    |   |
| 86  | Pausa   |          |     |          |                      |                 |                  |                 |            |             |              |           |              |              |        |         |   |   |   |   |   |                    |   |
| 87  | Pausa   |          |     |          |                      |                 |                  |                 |            |             |              |           |              |              |        |         |   |   |   |   |   |                    |   |
| 88  | Ventilazione  |          |     |          |                      |                 |                  |                 |            |             |              |           |              |              |        |         |   |   |   |   |   |                    |   |
| 89  | *Carico (C) Scarico Sc.Resine   |          |     |          |                      |                 |                  |                 |            |             |              |           |              |              |        |         |   |   |   |   |   |                    |   |
| 90  | * Scarico Sc.Resine   |          |     |          |                      |                 |                  |                 |            |             |              |           |              |              |        |         |   |   |   |   |   |                    |   |
| 91  | *Carico (C) Scarico Sc.Resine   |          |     |          |                      |                 |                  |                 |            |             |              |           |              |              |        |         |   |   |   |   |   |                    |   |
| 92  | * Scarico Sc.Resine   |          |     |          |                      |                 |                  |                 |            |             |              |           |              |              |        |         |   |   |   |   |   |                    |   |
| 93  | *Carico (C) Scarico Sc.Resine   |          |     |          |                      |                 |                  |                 |            |             |              |           |              |              |        |         |   |   |   |   |   |                    |   |
| 94  | * Scarico Sc.Resine   |          |     |          |                      |                 |                  |                 |            |             |              |           |              |              |        |         |   |   |   |   |   |                    |   |
| 95  | Countdown 243 190 125 125 140   |          |     |          |                      |                 |                  |                 |            |             |              |           |              |              |        |         |   |   |   |   |   |                    |   |
| 96  | P< attesa vuoto pressostato P> attesa pieno pressostato   |          |     |          |                      |                 |                  |                 |            |             |              |           |              |              |        |         |   |   |   |   |   |                    |   |
| 97  |   |          |     |          |                      |                 |                  |                 |            |             |              |           |              |              |        |         |   |   |   |   |   |                    |   |
| 98  | OPZIONE PLUS:Viene sempre eseguita la colonna Più. Velocità motore sempre a 2500/4500rpm( tranne che per il ciclo notte) - Inibisce il sensore di torbidità |          |     |          |                      |                 |                  |                 |            |             |              |           |              |              |        |         |   |   |   |   |   |                    |   |
| 99  | L'opzione non è attiva con i cicli Rapidi (Giornaliero,Rapido e Ammollo)  |          |     |          |                      |                 |                  |                 |            |             |              |           |              |              |        |         |   |   |   |   |   |                    |   |
| 100 | Se l'opzione viene abbinata al ciclo ECO verrà eseguito il ciclo notte  |          |     |          |                      |                 |                  |                 |            |             |              |           |              |              |        |         |   |   |   |   |   |                    |   |

|    |    | OPZIONE EXPRESS  |              |               |                |           |     |     |      |      |     |      |      |     |      |      |     |      | Tempistica<br>step |     |      |      |  |  |  |
|----|----|--|--------------|---------------|----------------|-----------|-----|-----|------|------|-----|------|------|-----|------|------|-----|------|--------------------|-----|------|------|--|--|--|
| A  | B  | C  | D            | E             | F              | G         | H   | I   | J    | K    | L   | M    | N    | O   | P    | Q    | R   | S    |                    | T   | U    | V    |  |  |  |
| 1  | 1  | <b>FASI DI LAVAGGIO</b>  |              |               |                |           |     |     |      |      |     |      |      |     |      |      |     |      |                    |     |      |      |  |  |  |
| 2  | 2  |  |              |               |                |           |     |     |      |      |     |      |      |     |      |      |     |      |                    |     |      |      |  |  |  |
| 3  | 3  |  |              |               |                |           |     |     |      |      |     |      |      |     |      |      |     |      |                    |     |      |      |  |  |  |
| 4  | 4  | <b>ALTERATORE</b>  |              |               |                |           | PIU | PIU | BASE | MENO | PIU | BASE | MENO | PIU | BASE | MENO | PIU | BASE | MENO               | PIU | BASE | MENO |  |  |  |
| 5  | 5  | <b>RISCIACQUO RESINE ***</b>   |              |               |                |           |     |     |      |      |     |      |      |     |      |      |     |      |                    |     |      |      |  |  |  |
| 6  | 6  | *Carico (C)  |              |               | Scarico        | Sc.Resine |     |     |      |      |     |      |      |     |      |      |     |      |                    |     |      |      |  |  |  |
| 7  | 7  | *  |              |               | Scarico        | Sc.Resine |     |     |      |      |     |      |      |     |      |      |     |      |                    |     |      |      |  |  |  |
| 8  | 8  | *Carico (C)  |              |               | Scarico        | Sc.Resine |     |     |      |      |     |      |      |     |      |      |     |      |                    |     |      |      |  |  |  |
| 9  | 9  | *  |              |               | Scarico        | Sc.Resine |     |     |      |      |     |      |      |     |      |      |     |      |                    |     |      |      |  |  |  |
| 10 | 10 | *Carico (C)  |              |               | Scarico        | Sc.Resine |     |     |      |      |     |      |      |     |      |      |     |      |                    |     |      |      |  |  |  |
| 11 | 11 | <b>PRELAVAGGIO</b>   |              |               |                |           |     |     |      |      |     |      |      |     |      |      |     |      |                    |     |      |      |  |  |  |
| 12 | 12 |  |              |               | Scarico        |           |     |     |      |      |     |      |      |     |      |      |     |      |                    |     |      |      |  |  |  |
| 13 | 13 | Carico (P)   |              |               |                |           |     |     |      |      |     |      |      |     |      |      |     |      |                    |     |      |      |  |  |  |
| 14 | 14 | Carico (C)   |              |               |                |           |     |     |      |      |     |      |      |     |      |      |     |      |                    |     |      |      |  |  |  |
| 15 | 15 | Pausa  |              |               |                |           |     |     |      |      |     |      |      |     |      |      |     |      |                    |     |      |      |  |  |  |
| 16 | 16 | Carico (C)   | Lavaggio     |               |                |           |     |     |      |      |     |      |      |     |      |      |     |      |                    |     |      |      |  |  |  |
| 17 | 17 | Carico (P)   | Lavaggio     |               |                |           |     |     |      |      |     |      |      |     |      |      |     |      |                    |     |      |      |  |  |  |
| 18 | 18 |  | Lavaggio     | Resistenza    |                |           |     |     |      |      |     |      |      |     |      |      |     |      |                    |     |      |      |  |  |  |
| 19 | 19 |  | Lavaggio     |               |                |           |     |     |      |      |     |      |      |     |      |      |     |      |                    |     |      |      |  |  |  |
| 20 | 20 |  | Lavaggio     | Scarico       |                |           |     |     |      |      |     |      |      |     |      |      |     |      |                    |     |      |      |  |  |  |
| 21 | 21 |  | Pausa        |               |                |           |     |     |      |      |     |      |      |     |      |      |     |      |                    |     |      |      |  |  |  |
| 22 | 22 |  |              | Scarico       |                |           |     |     |      |      |     |      |      |     |      |      |     |      |                    |     |      |      |  |  |  |
| 23 | 23 | Carico (T)   |              | Scarico       | Pulizia filtro |           |     |     |      |      |     |      |      |     |      |      |     |      |                    |     |      |      |  |  |  |
| 24 | 24 | <b>LAVAGGIO</b>  |              |               |                |           |     |     |      |      |     |      |      |     |      |      |     |      |                    |     |      |      |  |  |  |
| 25 | 25 | Carico (P)   |              |               |                |           |     |     |      |      |     |      |      |     |      |      |     |      |                    |     |      |      |  |  |  |
| 26 | 26 | Carico (C)   |              |               |                |           |     |     |      |      |     |      |      |     |      |      |     |      |                    |     |      |      |  |  |  |
| 27 | 27 | Pausa  |              |               |                |           |     |     |      |      |     |      |      |     |      |      |     |      |                    |     |      |      |  |  |  |
| 28 | 28 | Carico (C)   | Lavaggio     |               |                |           |     |     |      |      |     |      |      |     |      |      |     |      |                    |     |      |      |  |  |  |
| 29 | 29 | Carico (P)   | Lavaggio     |               |                |           |     |     |      |      |     |      |      |     |      |      |     |      |                    |     |      |      |  |  |  |
| 30 | 30 |  | Lavaggio     | Detersivo     |                |           |     |     |      |      |     |      |      |     |      |      |     |      |                    |     |      |      |  |  |  |
| 31 | 31 |  | Lavaggio     | Resistenza    |                |           |     |     |      |      |     |      |      |     |      |      |     |      |                    |     |      |      |  |  |  |
| 32 | 32 |  | Lavaggio     |               |                |           |     |     |      |      |     |      |      |     |      |      |     |      |                    |     |      |      |  |  |  |
| 33 | 33 |  | Lavaggio     | Scarico       |                |           |     |     |      |      |     |      |      |     |      |      |     |      |                    |     |      |      |  |  |  |
| 34 | 34 |  | Lavaggio     |               |                |           |     |     |      |      |     |      |      |     |      |      |     |      |                    |     |      |      |  |  |  |
| 35 | 35 |  | Lavaggio     |               |                |           |     |     |      |      |     |      |      |     |      |      |     |      |                    |     |      |      |  |  |  |
| 36 | 36 |  | Lavaggio     |               |                |           |     |     |      |      |     |      |      |     |      |      |     |      |                    |     |      |      |  |  |  |
| 37 | 37 |  | Lavaggio     |               |                |           |     |     |      |      |     |      |      |     |      |      |     |      |                    |     |      |      |  |  |  |
| 38 | 38 | Carico (C)   | Lavaggio     |               |                |           |     |     |      |      |     |      |      |     |      |      |     |      |                    |     |      |      |  |  |  |
| 39 | 39 | Carico (P)   | Lavaggio     |               |                |           |     |     |      |      |     |      |      |     |      |      |     |      |                    |     |      |      |  |  |  |
| 40 | 40 |  | Lavaggio     |               |                |           |     |     |      |      |     |      |      |     |      |      |     |      |                    |     |      |      |  |  |  |
| 41 | 41 |  | Lavaggio     | Scarico       |                |           |     |     |      |      |     |      |      |     |      |      |     |      |                    |     |      |      |  |  |  |
| 42 | 42 |  |              | Scarico       |                |           |     |     |      |      |     |      |      |     |      |      |     |      |                    |     |      |      |  |  |  |
| 43 | 43 | Carico (C)   |              | Scarico       | Pulizia filtro |           |     |     |      |      |     |      |      |     |      |      |     |      |                    |     |      |      |  |  |  |
| 44 | 44 |  |              | Scarico       |                |           |     |     |      |      |     |      |      |     |      |      |     |      |                    |     |      |      |  |  |  |
| 45 | 45 | <b>RISCIACQUO FREDDO</b>   |              |               |                |           |     |     |      |      |     |      |      |     |      |      |     |      |                    |     |      |      |  |  |  |
| 46 | 46 | Carico (P)   |              |               |                |           |     |     |      |      |     |      |      |     |      |      |     |      |                    |     |      |      |  |  |  |
| 47 | 47 | Carico (C)   |              |               |                |           |     |     |      |      |     |      |      |     |      |      |     |      |                    |     |      |      |  |  |  |
| 48 | 48 | Carico (C)   | Lavaggio     |               |                |           |     |     |      |      |     |      |      |     |      |      |     |      |                    |     |      |      |  |  |  |
| 49 | 49 | Carico (P)   | Lavaggio     |               |                |           |     |     |      |      |     |      |      |     |      |      |     |      |                    |     |      |      |  |  |  |
| 50 | 50 |  | Lavaggio     |               |                |           |     |     |      |      |     |      |      |     |      |      |     |      |                    |     |      |      |  |  |  |
| 51 | 51 |  | Lavaggio     | Scarico       |                |           |     |     |      |      |     |      |      |     |      |      |     |      |                    |     |      |      |  |  |  |
| 52 | 52 |  | Pausa        |               |                |           |     |     |      |      |     |      |      |     |      |      |     |      |                    |     |      |      |  |  |  |
| 53 | 53 |  |              | Scarico       |                |           |     |     |      |      |     |      |      |     |      |      |     |      |                    |     |      |      |  |  |  |
| 54 | 54 |  |              | Scarico       |                |           |     |     |      |      |     |      |      |     |      |      |     |      |                    |     |      |      |  |  |  |
| 55 | 55 | <b>RISCIACQUO CALDO</b>  |              |               |                |           |     |     |      |      |     |      |      |     |      |      |     |      |                    |     |      |      |  |  |  |
| 56 | 56 | Carico (P)   |              |               |                |           |     |     |      |      |     |      |      |     |      |      |     |      |                    |     |      |      |  |  |  |
| 57 | 57 | Carico (C)   |              |               |                |           |     |     |      |      |     |      |      |     |      |      |     |      |                    |     |      |      |  |  |  |
| 58 | 58 | Carico (C)   | Lavaggio     |               |                |           |     |     |      |      |     |      |      |     |      |      |     |      |                    |     |      |      |  |  |  |
| 59 | 59 | Carico (P)   | Lavaggio     |               |                |           |     |     |      |      |     |      |      |     |      |      |     |      |                    |     |      |      |  |  |  |
| 60 | 60 |  | Lavaggio     |               |                |           |     |     |      |      |     |      |      |     |      |      |     |      |                    |     |      |      |  |  |  |
| 61 | 61 |  | Lavaggio     | Rigenero      |                |           |     |     |      |      |     |      |      |     |      |      |     |      |                    |     |      |      |  |  |  |
| 62 | 62 |  | Lavaggio     | Resistenza    |                |           |     |     |      |      |     |      |      |     |      |      |     |      |                    |     |      |      |  |  |  |
| 63 | 63 |  | Lavaggio     | Brillantante  |                |           |     |     |      |      |     |      |      |     |      |      |     |      |                    |     |      |      |  |  |  |
| 64 | 64 | <b>ASCIUGATURA TRADIZIONALE</b>  |              |               |                |           |     |     |      |      |     |      |      |     |      |      |     |      |                    |     |      |      |  |  |  |
| 65 | 65 | Lavaggio   | Resistenza   | valore Eeprom |                |           |     |     |      |      |     |      |      |     |      |      |     |      |                    |     |      |      |  |  |  |
| 66 | 66 |  | Lavaggio     |               |                |           |     |     |      |      |     |      |      |     |      |      |     |      |                    |     |      |      |  |  |  |
| 67 | 67 |  | Lavaggio     | Scarico       |                |           |     |     |      |      |     |      |      |     |      |      |     |      |                    |     |      |      |  |  |  |
| 68 | 68 | Carico (C)   |              |               |                |           |     |     |      |      |     |      |      |     |      |      |     |      |                    |     |      |      |  |  |  |
| 69 | 69 |  |              | Rigenero      |                |           |     |     |      |      |     |      |      |     |      |      |     |      |                    |     |      |      |  |  |  |
| 70 | 70 |  |              | Scarico       |                |           |     |     |      |      |     |      |      |     |      |      |     |      |                    |     |      |      |  |  |  |
| 71 | 71 |  | Pausa        |               |                |           |     |     |      |      |     |      |      |     |      |      |     |      |                    |     |      |      |  |  |  |
| 72 | 72 |  | Pausa        |               |                |           |     |     |      |      |     |      |      |     |      |      |     |      |                    |     |      |      |  |  |  |
| 73 | 73 | *Carico (C)  |              | Scarico       | Sc.Resine      |           |     |     |      |      |     |      |      |     |      |      |     |      |                    |     |      |      |  |  |  |
| 74 | 74 | *  |              | Scarico       | Sc.Resine      |           |     |     |      |      |     |      |      |     |      |      |     |      |                    |     |      |      |  |  |  |
| 75 | 75 | *Carico (C)  |              | Scarico       | Sc.Resine      |           |     |     |      |      |     |      |      |     |      |      |     |      |                    |     |      |      |  |  |  |
| 76 | 76 | *  |              | Scarico       | Sc.Resine      |           |     |     |      |      |     |      |      |     |      |      |     |      |                    |     |      |      |  |  |  |
| 77 | 77 | *Carico (C)  |              | Scarico       | Sc.Resine      |           |     |     |      |      |     |      |      |     |      |      |     |      |                    |     |      |      |  |  |  |
| 78 | 78 |  |              | Scarico       |                |           |     |     |      |      |     |      |      |     |      |      |     |      |                    |     |      |      |  |  |  |
| 79 | 79 | <b>ASCIUGATURA VENTILATA</b>   |              |               |                |           |     |     |      |      |     |      |      |     |      |      |     |      |                    |     |      |      |  |  |  |
| 80 | 80 | Lavaggio   | Resistenza   |               |                |           |     |     |      |      |     |      |      |     |      |      |     |      |                    |     |      |      |  |  |  |
| 81 | 81 |  | Lavaggio     |               |                |           |     |     |      |      |     |      |      |     |      |      |     |      |                    |     |      |      |  |  |  |
| 82 | 82 |  | Lavaggio     | Scarico       |                |           |     |     |      |      |     |      |      |     |      |      |     |      |                    |     |      |      |  |  |  |
| 83 | 83 | Carico (C)   |              |               |                |           |     |     |      |      |     |      |      |     |      |      |     |      |                    |     |      |      |  |  |  |
| 84 | 84 |  |              | Rigenero      |                |           |     |     |      |      |     |      |      |     |      |      |     |      |                    |     |      |      |  |  |  |
| 85 | 85 |  |              | Scarico       |                |           |     |     |      |      |     |      |      |     |      |      |     |      |                    |     |      |      |  |  |  |
| 86 | 86 |  | Pausa        |               |                |           |     |     |      |      |     |      |      |     |      |      |     |      |                    |     |      |      |  |  |  |
| 87 | 87 |  | Pausa        |               |                |           |     |     |      |      |     |      |      |     |      |      |     |      |                    |     |      |      |  |  |  |
| 88 | 88 |  | Ventilazione |               |                |           |     |     |      |      |     |      |      |     |      |      |     |      |                    |     |      |      |  |  |  |
| 89 | 89 | *Carico (C)  |              | Scarico       | Sc.Resine      |           |     |     |      |      |     |      |      |     |      |      |     |      |                    |     |      |      |  |  |  |
| 90 | 90 | *  |              | Scarico       | Sc.Resine      |           |     |     |      |      |     |      |      |     |      |      |     |      |                    |     |      |      |  |  |  |
| 91 | 91 | *Carico (C)  |              | Scarico       | Sc.Resine      |           |     |     |      |      |     |      |      |     |      |      |     |      |                    |     |      |      |  |  |  |
| 92 | 92 | *  |              | Scarico       | Sc.Resine      |           |     |     |      |      |     |      |      |     |      |      |     |      |                    |     |      |      |  |  |  |
| 93 | 93 | *Carico (C)  |              | Scarico       | Sc.Resine      |           |     |     |      |      |     |      |      |     |      |      |     |      |                    |     |      |      |  |  |  |
| 94 | 94 |  |              | Scarico       |                |           |     |     |      |      |     |      |      |     |      |      |     |      |                    |     |      |      |  |  |  |
| 95 | 95 | <b>Countdown</b>   |              |               |                |           |     |     |      |      |     |      |      |     |      |      |     |      |                    |     |      |      |  |  |  |
| 96 | 96 | P< attesa vuoto pressostato      P> attesa pieno pressostato   |              |               |                |           |     |     |      |      |     |      |      |     |      |      |     |      |                    |     |      |      |  |  |  |
| 97 | 97 |  |              |               |                |           |     |     |      |      |     |      |      |     |      |      |     |      |                    |     |      |      |  |  |  |
| 98 | 98 | <b>OPZIONE EXPRESS:</b> Viene attivata la funzione MENO-Se attivato, nei cicli rapidi esclude spia opzioni |              |               |                |           |     |     |      |      |     |      |      |     |      |      |     |      |                    |     |      |      |  |  |  |
| 99 | 99 | Prevale sulla opzione 3/1  |              |               |                |           |     |     |      |      |     |      |      |     |      |      |     |      |                    |     |      |      |  |  |  |

|    |   | OPZIONE 3 IN 1 |   |   |   |   |   |   |   |   |   |   |   |   |   |   |   | Tempistica<br>step |   |   |   |   |
|----|---|----------------|---|---|---|---|---|---|---|---|---|---|---|---|---|---|---|--------------------|---|---|---|---|
| A  | B   | C              | D | E | F | G | H | I | J | K | L | M | N | O | P | Q | R |                    | S | T | U | V |
| 1  | <b>FASI DI LAVAGGIO</b>   |                |   |   |   |   |   |   |   |   |   |   |   |   |   |   |   |                    |   |   |   |   |
| 2  |   |                |   |   |   |   |   |   |   |   |   |   |   |   |   |   |   |                    |   |   |   |   |
| 3  |   |                |   |   |   |   |   |   |   |   |   |   |   |   |   |   |   |                    |   |   |   |   |
| 4  | <b>ALTERATORE</b>   |                |   |   |   |   |   |   |   |   |   |   |   |   |   |   |   |                    |   |   |   |   |
| 5  | PIU PIU <b>BASE</b> MENO PIU <b>BASE</b> MENO PIU <b>BASE</b> MENO PIU <b>BASE</b> MENO PIU <b>BASE</b> MENO  |                |   |   |   |   |   |   |   |   |   |   |   |   |   |   |   |                    |   |   |   |   |
| 6  | <b>RISCIACQUO RESINE ***</b>  |                |   |   |   |   |   |   |   |   |   |   |   |   |   |   |   |                    |   |   |   |   |
| 7  | *Carico (C) Scarico Sc.Resine   |                |   |   |   |   |   |   |   |   |   |   |   |   |   |   |   |                    |   |   |   |   |
| 8  | *Carico (C) Scarico Sc.Resine   |                |   |   |   |   |   |   |   |   |   |   |   |   |   |   |   |                    |   |   |   |   |
| 9  | *Carico (C) Scarico Sc.Resine   |                |   |   |   |   |   |   |   |   |   |   |   |   |   |   |   |                    |   |   |   |   |
| 10 | <b>PRELAVAGGIO</b>  |                |   |   |   |   |   |   |   |   |   |   |   |   |   |   |   |                    |   |   |   |   |
| 11 | Carico (P) Scarico  |                |   |   |   |   |   |   |   |   |   |   |   |   |   |   |   |                    |   |   |   |   |
| 12 | Carico (C) Scarico  |                |   |   |   |   |   |   |   |   |   |   |   |   |   |   |   |                    |   |   |   |   |
| 13 | Pausa   |                |   |   |   |   |   |   |   |   |   |   |   |   |   |   |   |                    |   |   |   |   |
| 14 | Carico (C) Lavaggio   |                |   |   |   |   |   |   |   |   |   |   |   |   |   |   |   |                    |   |   |   |   |
| 15 | Carico (P) Lavaggio   |                |   |   |   |   |   |   |   |   |   |   |   |   |   |   |   |                    |   |   |   |   |
| 16 | Carico (C) Lavaggio Resistenza  |                |   |   |   |   |   |   |   |   |   |   |   |   |   |   |   |                    |   |   |   |   |
| 17 | Carico (P) Lavaggio   |                |   |   |   |   |   |   |   |   |   |   |   |   |   |   |   |                    |   |   |   |   |
| 18 | Carico (C) Lavaggio Scarico   |                |   |   |   |   |   |   |   |   |   |   |   |   |   |   |   |                    |   |   |   |   |
| 19 | Carico (P) Pausa  |                |   |   |   |   |   |   |   |   |   |   |   |   |   |   |   |                    |   |   |   |   |
| 20 | Carico (C) Scarico Pulizia filtro   |                |   |   |   |   |   |   |   |   |   |   |   |   |   |   |   |                    |   |   |   |   |
| 21 | <b>LAVAGGIO</b>   |                |   |   |   |   |   |   |   |   |   |   |   |   |   |   |   |                    |   |   |   |   |
| 22 | Carico (P) Scarico  |                |   |   |   |   |   |   |   |   |   |   |   |   |   |   |   |                    |   |   |   |   |
| 23 | Carico (C) Scarico  |                |   |   |   |   |   |   |   |   |   |   |   |   |   |   |   |                    |   |   |   |   |
| 24 | Pausa   |                |   |   |   |   |   |   |   |   |   |   |   |   |   |   |   |                    |   |   |   |   |
| 25 | Carico (C) Lavaggio   |                |   |   |   |   |   |   |   |   |   |   |   |   |   |   |   |                    |   |   |   |   |
| 26 | Carico (P) Lavaggio   |                |   |   |   |   |   |   |   |   |   |   |   |   |   |   |   |                    |   |   |   |   |
| 27 | Carico (C) Lavaggio Detersivo   |                |   |   |   |   |   |   |   |   |   |   |   |   |   |   |   |                    |   |   |   |   |
| 28 | Carico (P) Lavaggio   |                |   |   |   |   |   |   |   |   |   |   |   |   |   |   |   |                    |   |   |   |   |
| 29 | Carico (C) Lavaggio Resistenza  |                |   |   |   |   |   |   |   |   |   |   |   |   |   |   |   |                    |   |   |   |   |
| 30 | Carico (P) Lavaggio   |                |   |   |   |   |   |   |   |   |   |   |   |   |   |   |   |                    |   |   |   |   |
| 31 | Carico (C) Lavaggio Scarico   |                |   |   |   |   |   |   |   |   |   |   |   |   |   |   |   |                    |   |   |   |   |
| 32 | Carico (P) Lavaggio   |                |   |   |   |   |   |   |   |   |   |   |   |   |   |   |   |                    |   |   |   |   |
| 33 | Carico (C) Lavaggio   |                |   |   |   |   |   |   |   |   |   |   |   |   |   |   |   |                    |   |   |   |   |
| 34 | Carico (P) Lavaggio   |                |   |   |   |   |   |   |   |   |   |   |   |   |   |   |   |                    |   |   |   |   |
| 35 | Carico (C) Lavaggio   |                |   |   |   |   |   |   |   |   |   |   |   |   |   |   |   |                    |   |   |   |   |
| 36 | Carico (P) Lavaggio   |                |   |   |   |   |   |   |   |   |   |   |   |   |   |   |   |                    |   |   |   |   |
| 37 | Carico (C) Lavaggio   |                |   |   |   |   |   |   |   |   |   |   |   |   |   |   |   |                    |   |   |   |   |
| 38 | Carico (P) Lavaggio   |                |   |   |   |   |   |   |   |   |   |   |   |   |   |   |   |                    |   |   |   |   |
| 39 | Carico (C) Lavaggio   |                |   |   |   |   |   |   |   |   |   |   |   |   |   |   |   |                    |   |   |   |   |
| 40 | Carico (P) Lavaggio   |                |   |   |   |   |   |   |   |   |   |   |   |   |   |   |   |                    |   |   |   |   |
| 41 | Carico (C) Lavaggio Scarico   |                |   |   |   |   |   |   |   |   |   |   |   |   |   |   |   |                    |   |   |   |   |
| 42 | Carico (P) Scarico Pulizia filtro   |                |   |   |   |   |   |   |   |   |   |   |   |   |   |   |   |                    |   |   |   |   |
| 43 | Carico (C) Scarico Pulizia filtro   |                |   |   |   |   |   |   |   |   |   |   |   |   |   |   |   |                    |   |   |   |   |
| 44 | Carico (P) Scarico  |                |   |   |   |   |   |   |   |   |   |   |   |   |   |   |   |                    |   |   |   |   |
| 45 | <b>RISCIACQUO FREDDO</b>  |                |   |   |   |   |   |   |   |   |   |   |   |   |   |   |   |                    |   |   |   |   |
| 46 | Carico (P) Scarico  |                |   |   |   |   |   |   |   |   |   |   |   |   |   |   |   |                    |   |   |   |   |
| 47 | Carico (C) Scarico  |                |   |   |   |   |   |   |   |   |   |   |   |   |   |   |   |                    |   |   |   |   |
| 48 | Carico (P) Lavaggio   |                |   |   |   |   |   |   |   |   |   |   |   |   |   |   |   |                    |   |   |   |   |
| 49 | Carico (C) Lavaggio   |                |   |   |   |   |   |   |   |   |   |   |   |   |   |   |   |                    |   |   |   |   |
| 50 | Carico (P) Lavaggio   |                |   |   |   |   |   |   |   |   |   |   |   |   |   |   |   |                    |   |   |   |   |
| 51 | Carico (C) Lavaggio   |                |   |   |   |   |   |   |   |   |   |   |   |   |   |   |   |                    |   |   |   |   |
| 52 | Carico (P) Lavaggio Scarico   |                |   |   |   |   |   |   |   |   |   |   |   |   |   |   |   |                    |   |   |   |   |
| 53 | Carico (C) Pausa  |                |   |   |   |   |   |   |   |   |   |   |   |   |   |   |   |                    |   |   |   |   |
| 54 | Carico (P) Scarico  |                |   |   |   |   |   |   |   |   |   |   |   |   |   |   |   |                    |   |   |   |   |
| 55 | <b>RISCIACQUO CALDO</b>   |                |   |   |   |   |   |   |   |   |   |   |   |   |   |   |   |                    |   |   |   |   |
| 56 | Carico (P) Scarico  |                |   |   |   |   |   |   |   |   |   |   |   |   |   |   |   |                    |   |   |   |   |
| 57 | Carico (C) Scarico  |                |   |   |   |   |   |   |   |   |   |   |   |   |   |   |   |                    |   |   |   |   |
| 58 | Carico (P) Lavaggio   |                |   |   |   |   |   |   |   |   |   |   |   |   |   |   |   |                    |   |   |   |   |
| 59 | Carico (C) Lavaggio   |                |   |   |   |   |   |   |   |   |   |   |   |   |   |   |   |                    |   |   |   |   |
| 60 | Carico (P) Lavaggio   |                |   |   |   |   |   |   |   |   |   |   |   |   |   |   |   |                    |   |   |   |   |
| 61 | Carico (C) Lavaggio Rigenero  |                |   |   |   |   |   |   |   |   |   |   |   |   |   |   |   |                    |   |   |   |   |
| 62 | Carico (P) Lavaggio Resistenza  |                |   |   |   |   |   |   |   |   |   |   |   |   |   |   |   |                    |   |   |   |   |
| 63 | Carico (C) Lavaggio Brillantante  |                |   |   |   |   |   |   |   |   |   |   |   |   |   |   |   |                    |   |   |   |   |
| 64 | <b>ASCIUGATURA TRADIZIONALE</b>   |                |   |   |   |   |   |   |   |   |   |   |   |   |   |   |   |                    |   |   |   |   |
| 65 | Carico (P) Lavaggio Resistenza valore Eeprom  |                |   |   |   |   |   |   |   |   |   |   |   |   |   |   |   |                    |   |   |   |   |
| 66 | Carico (C) Lavaggio   |                |   |   |   |   |   |   |   |   |   |   |   |   |   |   |   |                    |   |   |   |   |
| 67 | Carico (P) Lavaggio Scarico   |                |   |   |   |   |   |   |   |   |   |   |   |   |   |   |   |                    |   |   |   |   |
| 68 | Carico (C) Lavaggio   |                |   |   |   |   |   |   |   |   |   |   |   |   |   |   |   |                    |   |   |   |   |
| 69 | Carico (P) Lavaggio Rigenero  |                |   |   |   |   |   |   |   |   |   |   |   |   |   |   |   |                    |   |   |   |   |
| 70 | Carico (C) Lavaggio Scarico   |                |   |   |   |   |   |   |   |   |   |   |   |   |   |   |   |                    |   |   |   |   |
| 71 | Carico (P) Pausa  |                |   |   |   |   |   |   |   |   |   |   |   |   |   |   |   |                    |   |   |   |   |
| 72 | Carico (C) Pausa  |                |   |   |   |   |   |   |   |   |   |   |   |   |   |   |   |                    |   |   |   |   |
| 73 | *Carico (C) Scarico Sc.Resine   |                |   |   |   |   |   |   |   |   |   |   |   |   |   |   |   |                    |   |   |   |   |
| 74 | *Carico (C) Scarico Sc.Resine   |                |   |   |   |   |   |   |   |   |   |   |   |   |   |   |   |                    |   |   |   |   |
| 75 | *Carico (C) Scarico Sc.Resine   |                |   |   |   |   |   |   |   |   |   |   |   |   |   |   |   |                    |   |   |   |   |
| 76 | *Carico (C) Scarico Sc.Resine   |                |   |   |   |   |   |   |   |   |   |   |   |   |   |   |   |                    |   |   |   |   |
| 77 | *Carico (C) Scarico Sc.Resine   |                |   |   |   |   |   |   |   |   |   |   |   |   |   |   |   |                    |   |   |   |   |
| 78 | *Carico (C) Scarico   |                |   |   |   |   |   |   |   |   |   |   |   |   |   |   |   |                    |   |   |   |   |
| 79 | <b>ASCIUGATURA VENTILATA</b>  |                |   |   |   |   |   |   |   |   |   |   |   |   |   |   |   |                    |   |   |   |   |
| 80 | Carico (P) Lavaggio Resistenza  |                |   |   |   |   |   |   |   |   |   |   |   |   |   |   |   |                    |   |   |   |   |
| 81 | Carico (C) Lavaggio   |                |   |   |   |   |   |   |   |   |   |   |   |   |   |   |   |                    |   |   |   |   |
| 82 | Carico (P) Lavaggio Scarico   |                |   |   |   |   |   |   |   |   |   |   |   |   |   |   |   |                    |   |   |   |   |
| 83 | Carico (C) Lavaggio   |                |   |   |   |   |   |   |   |   |   |   |   |   |   |   |   |                    |   |   |   |   |
| 84 | Carico (P) Lavaggio Rigenero  |                |   |   |   |   |   |   |   |   |   |   |   |   |   |   |   |                    |   |   |   |   |
| 85 | Carico (C) Lavaggio Scarico   |                |   |   |   |   |   |   |   |   |   |   |   |   |   |   |   |                    |   |   |   |   |
| 86 | Carico (P) Pausa  |                |   |   |   |   |   |   |   |   |   |   |   |   |   |   |   |                    |   |   |   |   |
| 87 | Carico (C) Pausa  |                |   |   |   |   |   |   |   |   |   |   |   |   |   |   |   |                    |   |   |   |   |
| 88 | Carico (P) Ventilazione   |                |   |   |   |   |   |   |   |   |   |   |   |   |   |   |   |                    |   |   |   |   |
| 89 | *Carico (C) Scarico Sc.Resine   |                |   |   |   |   |   |   |   |   |   |   |   |   |   |   |   |                    |   |   |   |   |
| 90 | *Carico (C) Scarico Sc.Resine   |                |   |   |   |   |   |   |   |   |   |   |   |   |   |   |   |                    |   |   |   |   |
| 91 | *Carico (C) Scarico Sc.Resine   |                |   |   |   |   |   |   |   |   |   |   |   |   |   |   |   |                    |   |   |   |   |
| 92 | *Carico (C) Scarico Sc.Resine   |                |   |   |   |   |   |   |   |   |   |   |   |   |   |   |   |                    |   |   |   |   |
| 93 | *Carico (C) Scarico Sc.Resine   |                |   |   |   |   |   |   |   |   |   |   |   |   |   |   |   |                    |   |   |   |   |
| 94 | *Carico (C) Scarico   |                |   |   |   |   |   |   |   |   |   |   |   |   |   |   |   |                    |   |   |   |   |
| 95 | Countdown   |                |   |   |   |   |   |   |   |   |   |   |   |   |   |   |   |                    |   |   |   |   |
| 96 | P< attesa vuoto pressostato P> attesa pieno pressostato   |                |   |   |   |   |   |   |   |   |   |   |   |   |   |   |   |                    |   |   |   |   |
| 97 |   |                |   |   |   |   |   |   |   |   |   |   |   |   |   |   |   |                    |   |   |   |   |
| 98 | <b>Opzione 3/1:</b> Aumenta di 10 minuti il tempo di lavaggio nel ciclo rapido-Nel ciclo giornaliero il prelavaggio dura 7' in meno, mentre il lavaggio aumenta di 7min |                |   |   |   |   |   |   |   |   |   |   |   |   |   |   |   |                    |   |   |   |   |
| 99 | Inibisce led sale e brillantante  |                |   |   |   |   |   |   |   |   |   |   |   |   |   |   |   |                    |   |   |   |   |

|     | OPZIONE ECO  |          |     |          |                      |                 |                  |                 |            |             |              |           |              |              |        |         |  | Tempistica step |
|-----|--|----------|-----|----------|----------------------|-----------------|------------------|-----------------|------------|-------------|--------------|-----------|--------------|--------------|--------|---------|--|-----------------|
|     | NOTTE  | ECO PLUS | ECO | DELICATO | AUTO UNIVERSALE PLUS | AUTO UNIVERSALE | AUTO GIORNALIERO | UNIVERSALE PLUS | UNIVERSALE | GIORNALIERO | IGIENIZZANTE | INTENSIVO | FORTE VELOCE | CLASSE A 59' | RAPIDO | AMMOLLO |  |                 |
| 1   | <b>FASI DI LAVAGGIO</b>  |          |     |          |                      |                 |                  |                 |            |             |              |           |              |              |        |         |  |                 |
| 2   | <b>ALTERATORE</b>  |          |     |          |                      |                 |                  |                 |            |             |              |           |              |              |        |         |  |                 |
| 3   | PIU  |          |     |          |                      |                 |                  |                 |            |             |              |           |              |              |        |         |  |                 |
| 4   | ECO PLUS   |          |     |          |                      |                 |                  |                 |            |             |              |           |              |              |        |         |  |                 |
| 5   | ECO  |          |     |          |                      |                 |                  |                 |            |             |              |           |              |              |        |         |  |                 |
| 6   | DELICATO   |          |     |          |                      |                 |                  |                 |            |             |              |           |              |              |        |         |  |                 |
| 7   | AUTO UNIVERSALE PLUS   |          |     |          |                      |                 |                  |                 |            |             |              |           |              |              |        |         |  |                 |
| 8   | AUTO UNIVERSALE  |          |     |          |                      |                 |                  |                 |            |             |              |           |              |              |        |         |  |                 |
| 9   | AUTO GIORNALIERO   |          |     |          |                      |                 |                  |                 |            |             |              |           |              |              |        |         |  |                 |
| 10  | UNIVERSALE PLUS  |          |     |          |                      |                 |                  |                 |            |             |              |           |              |              |        |         |  |                 |
| 11  | UNIVERSALE   |          |     |          |                      |                 |                  |                 |            |             |              |           |              |              |        |         |  |                 |
| 12  | GIORNALIERO  |          |     |          |                      |                 |                  |                 |            |             |              |           |              |              |        |         |  |                 |
| 13  | IGIENIZZANTE   |          |     |          |                      |                 |                  |                 |            |             |              |           |              |              |        |         |  |                 |
| 14  | INTENSIVO  |          |     |          |                      |                 |                  |                 |            |             |              |           |              |              |        |         |  |                 |
| 15  | FORTE VELOCE   |          |     |          |                      |                 |                  |                 |            |             |              |           |              |              |        |         |  |                 |
| 16  | CLASSE A 59'   |          |     |          |                      |                 |                  |                 |            |             |              |           |              |              |        |         |  |                 |
| 17  | RAPIDO   |          |     |          |                      |                 |                  |                 |            |             |              |           |              |              |        |         |  |                 |
| 18  | AMMOLLO  |          |     |          |                      |                 |                  |                 |            |             |              |           |              |              |        |         |  |                 |
| 19  | RISCIACQUO RESINE ***  |          |     |          |                      |                 |                  |                 |            |             |              |           |              |              |        |         |  |                 |
| 20  | *Carico (C)  |          |     |          |                      |                 |                  |                 |            |             |              |           |              |              |        |         |  |                 |
| 21  | *Carico (C)  |          |     |          |                      |                 |                  |                 |            |             |              |           |              |              |        |         |  |                 |
| 22  | *Carico (C)  |          |     |          |                      |                 |                  |                 |            |             |              |           |              |              |        |         |  |                 |
| 23  | *Carico (C)  |          |     |          |                      |                 |                  |                 |            |             |              |           |              |              |        |         |  |                 |
| 24  | <b>PRELAVAGGIO</b>   |          |     |          |                      |                 |                  |                 |            |             |              |           |              |              |        |         |  |                 |
| 25  | Carico (P)   |          |     |          |                      |                 |                  |                 |            |             |              |           |              |              |        |         |  |                 |
| 26  | Carico (C)   |          |     |          |                      |                 |                  |                 |            |             |              |           |              |              |        |         |  |                 |
| 27  | Pausa  |          |     |          |                      |                 |                  |                 |            |             |              |           |              |              |        |         |  |                 |
| 28  | Carico (C)   |          |     |          |                      |                 |                  |                 |            |             |              |           |              |              |        |         |  |                 |
| 29  | Carico (P)   |          |     |          |                      |                 |                  |                 |            |             |              |           |              |              |        |         |  |                 |
| 30  | Carico (C)   |          |     |          |                      |                 |                  |                 |            |             |              |           |              |              |        |         |  |                 |
| 31  | Carico (P)   |          |     |          |                      |                 |                  |                 |            |             |              |           |              |              |        |         |  |                 |
| 32  | Carico (C)   |          |     |          |                      |                 |                  |                 |            |             |              |           |              |              |        |         |  |                 |
| 33  | Carico (P)   |          |     |          |                      |                 |                  |                 |            |             |              |           |              |              |        |         |  |                 |
| 34  | Carico (C)   |          |     |          |                      |                 |                  |                 |            |             |              |           |              |              |        |         |  |                 |
| 35  | Carico (P)   |          |     |          |                      |                 |                  |                 |            |             |              |           |              |              |        |         |  |                 |
| 36  | Carico (C)   |          |     |          |                      |                 |                  |                 |            |             |              |           |              |              |        |         |  |                 |
| 37  | Carico (P)   |          |     |          |                      |                 |                  |                 |            |             |              |           |              |              |        |         |  |                 |
| 38  | Carico (C)   |          |     |          |                      |                 |                  |                 |            |             |              |           |              |              |        |         |  |                 |
| 39  | Carico (P)   |          |     |          |                      |                 |                  |                 |            |             |              |           |              |              |        |         |  |                 |
| 40  | Carico (C)   |          |     |          |                      |                 |                  |                 |            |             |              |           |              |              |        |         |  |                 |
| 41  | Carico (P)   |          |     |          |                      |                 |                  |                 |            |             |              |           |              |              |        |         |  |                 |
| 42  | Carico (C)   |          |     |          |                      |                 |                  |                 |            |             |              |           |              |              |        |         |  |                 |
| 43  | Carico (P)   |          |     |          |                      |                 |                  |                 |            |             |              |           |              |              |        |         |  |                 |
| 44  | Carico (C)   |          |     |          |                      |                 |                  |                 |            |             |              |           |              |              |        |         |  |                 |
| 45  | <b>RISCIACQUO FREDDO</b>   |          |     |          |                      |                 |                  |                 |            |             |              |           |              |              |        |         |  |                 |
| 46  | Carico (P)   |          |     |          |                      |                 |                  |                 |            |             |              |           |              |              |        |         |  |                 |
| 47  | Carico (C)   |          |     |          |                      |                 |                  |                 |            |             |              |           |              |              |        |         |  |                 |
| 48  | Carico (C)   |          |     |          |                      |                 |                  |                 |            |             |              |           |              |              |        |         |  |                 |
| 49  | Carico (P)   |          |     |          |                      |                 |                  |                 |            |             |              |           |              |              |        |         |  |                 |
| 50  | Carico (C)   |          |     |          |                      |                 |                  |                 |            |             |              |           |              |              |        |         |  |                 |
| 51  | Carico (P)   |          |     |          |                      |                 |                  |                 |            |             |              |           |              |              |        |         |  |                 |
| 52  | Carico (C)   |          |     |          |                      |                 |                  |                 |            |             |              |           |              |              |        |         |  |                 |
| 53  | Carico (P)   |          |     |          |                      |                 |                  |                 |            |             |              |           |              |              |        |         |  |                 |
| 54  | Carico (C)   |          |     |          |                      |                 |                  |                 |            |             |              |           |              |              |        |         |  |                 |
| 55  | <b>RISCIACQUO CALDO</b>  |          |     |          |                      |                 |                  |                 |            |             |              |           |              |              |        |         |  |                 |
| 56  | Carico (P)   |          |     |          |                      |                 |                  |                 |            |             |              |           |              |              |        |         |  |                 |
| 57  | Carico (C)   |          |     |          |                      |                 |                  |                 |            |             |              |           |              |              |        |         |  |                 |
| 58  | Carico (C)   |          |     |          |                      |                 |                  |                 |            |             |              |           |              |              |        |         |  |                 |
| 59  | Carico (P)   |          |     |          |                      |                 |                  |                 |            |             |              |           |              |              |        |         |  |                 |
| 60  | Carico (C)   |          |     |          |                      |                 |                  |                 |            |             |              |           |              |              |        |         |  |                 |
| 61  | Lavaggio   |          |     |          |                      |                 |                  |                 |            |             |              |           |              |              |        |         |  |                 |
| 62  | Lavaggio   |          |     |          |                      |                 |                  |                 |            |             |              |           |              |              |        |         |  |                 |
| 63  | Lavaggio   |          |     |          |                      |                 |                  |                 |            |             |              |           |              |              |        |         |  |                 |
| 64  | <b>ASCIUGATURA TRADIZIONALE</b>  |          |     |          |                      |                 |                  |                 |            |             |              |           |              |              |        |         |  |                 |
| 65  | Lavaggio   |          |     |          |                      |                 |                  |                 |            |             |              |           |              |              |        |         |  |                 |
| 66  | Lavaggio   |          |     |          |                      |                 |                  |                 |            |             |              |           |              |              |        |         |  |                 |
| 67  | Lavaggio   |          |     |          |                      |                 |                  |                 |            |             |              |           |              |              |        |         |  |                 |
| 68  | Carico (C)   |          |     |          |                      |                 |                  |                 |            |             |              |           |              |              |        |         |  |                 |
| 69  | Pausa  |          |     |          |                      |                 |                  |                 |            |             |              |           |              |              |        |         |  |                 |
| 70  | Pausa  |          |     |          |                      |                 |                  |                 |            |             |              |           |              |              |        |         |  |                 |
| 71  | *Carico (C)  |          |     |          |                      |                 |                  |                 |            |             |              |           |              |              |        |         |  |                 |
| 72  | *Carico (C)  |          |     |          |                      |                 |                  |                 |            |             |              |           |              |              |        |         |  |                 |
| 73  | *Carico (C)  |          |     |          |                      |                 |                  |                 |            |             |              |           |              |              |        |         |  |                 |
| 74  | *Carico (C)  |          |     |          |                      |                 |                  |                 |            |             |              |           |              |              |        |         |  |                 |
| 75  | *Carico (C)  |          |     |          |                      |                 |                  |                 |            |             |              |           |              |              |        |         |  |                 |
| 76  | *Carico (C)  |          |     |          |                      |                 |                  |                 |            |             |              |           |              |              |        |         |  |                 |
| 77  | *Carico (C)  |          |     |          |                      |                 |                  |                 |            |             |              |           |              |              |        |         |  |                 |
| 78  | *Carico (C)  |          |     |          |                      |                 |                  |                 |            |             |              |           |              |              |        |         |  |                 |
| 79  | <b>ASCIUGATURA VENTILATA</b>   |          |     |          |                      |                 |                  |                 |            |             |              |           |              |              |        |         |  |                 |
| 80  | Lavaggio   |          |     |          |                      |                 |                  |                 |            |             |              |           |              |              |        |         |  |                 |
| 81  | Lavaggio   |          |     |          |                      |                 |                  |                 |            |             |              |           |              |              |        |         |  |                 |
| 82  | Lavaggio   |          |     |          |                      |                 |                  |                 |            |             |              |           |              |              |        |         |  |                 |
| 83  | Carico (C)   |          |     |          |                      |                 |                  |                 |            |             |              |           |              |              |        |         |  |                 |
| 84  | Pausa  |          |     |          |                      |                 |                  |                 |            |             |              |           |              |              |        |         |  |                 |
| 85  | Pausa  |          |     |          |                      |                 |                  |                 |            |             |              |           |              |              |        |         |  |                 |
| 86  | Pausa  |          |     |          |                      |                 |                  |                 |            |             |              |           |              |              |        |         |  |                 |
| 87  | Pausa  |          |     |          |                      |                 |                  |                 |            |             |              |           |              |              |        |         |  |                 |
| 88  | Ventilazione   |          |     |          |                      |                 |                  |                 |            |             |              |           |              |              |        |         |  |                 |
| 89  | *Carico (C)  |          |     |          |                      |                 |                  |                 |            |             |              |           |              |              |        |         |  |                 |
| 90  | *Carico (C)  |          |     |          |                      |                 |                  |                 |            |             |              |           |              |              |        |         |  |                 |
| 91  | *Carico (C)  |          |     |          |                      |                 |                  |                 |            |             |              |           |              |              |        |         |  |                 |
| 92  | *Carico (C)  |          |     |          |                      |                 |                  |                 |            |             |              |           |              |              |        |         |  |                 |
| 93  | *Carico (C)  |          |     |          |                      |                 |                  |                 |            |             |              |           |              |              |        |         |  |                 |
| 94  | *Carico (C)  |          |     |          |                      |                 |                  |                 |            |             |              |           |              |              |        |         |  |                 |
| 95  | Countdown  |          |     |          |                      |                 |                  |                 |            |             |              |           |              |              |        |         |  |                 |
| 96  | P< attesa vuoto pressostato P> attesa pieno pressostato  |          |     |          |                      |                 |                  |                 |            |             |              |           |              |              |        |         |  |                 |
| 97  |  |          |     |          |                      |                 |                  |                 |            |             |              |           |              |              |        |         |  |                 |
| 98  | <b>OPZIONE ECO:</b> Prevale su tutte le altre opzioni-Modifica colonna base, colonna più e colonna meno-Cicli AUTO modificati solo da torbidimetro |          |     |          |                      |                 |                  |                 |            |             |              |           |              |              |        |         |  |                 |
| 99  | Vien eseguito 1 risciacquo nei cicli universale più,intensivo e intensivo più  |          |     |          |                      |                 |                  |                 |            |             |              |           |              |              |        |         |  |                 |
| 100 | Diminuisce la temperatura nelle fasi di prelavaggio e lavaggio di 10°C, e comunque non deve scendere al di sotto dei 45°C                          |          |     |          |                      |                 |                  |                 |            |             |              |           |              |              |        |         |  |                 |
| 101 | La temperatura del lavaggio del ciclo universale rimane 55°C   |          |     |          |                      |                 |                  |                 |            |             |              |           |              |              |        |         |  |                 |
| 102 | L'asciugatura verrà eseguita sempre( anche asciugatura auto) con una temperatura di 55°C ed un tempo di 10'  |          |     |          |                      |                 |                  |                 |            |             |              |           |              |              |        |         |  |                 |

|    | A  | B                       | C | D | E | F | OPZIONE MEZZO CARICO |          |     |          |                      |                 |                  |                 |            |             |              | Tempistica step |
|----|----|-------------------------|---|---|---|---|----------------------|----------|-----|----------|----------------------|-----------------|------------------|-----------------|------------|-------------|--------------|-----------------|
|    |    |                         |   |   |   |   | NOTTE                | ECO PLUS | ECO | DELICATO | AUTO UNIVERSALE PLUS | AUTO UNIVERSALE | AUTO GIORNALIERO | UNIVERSALE PLUS | UNIVERSALE | GIORNALIERO | IGIENIZZANTE |                 |
| 1  | 1  | <b>FASI DI LAVAGGIO</b> |   |   |   |   |                      |          |     |          |                      |                 |                  |                 |            |             |              |                 |
| 2  | 2  |                         |   |   |   |   |                      |          |     |          |                      |                 |                  |                 |            |             |              |                 |
| 3  | 3  |                         |   |   |   |   |                      |          |     |          |                      |                 |                  |                 |            |             |              |                 |
| 4  | 4  | <b>ALTERATORE</b>       |   |   |   |   |                      |          |     |          |                      |                 |                  |                 |            |             |              |                 |
| 5  | 5  | PIU                     |   |   |   |   |                      |          |     |          |                      |                 |                  |                 |            |             |              |                 |
| 6  | 6  | PIU                     |   |   |   |   |                      |          |     |          |                      |                 |                  |                 |            |             |              |                 |
| 7  | 7  | BASE                    |   |   |   |   |                      |          |     |          |                      |                 |                  |                 |            |             |              |                 |
| 8  | 8  | MENO                    |   |   |   |   |                      |          |     |          |                      |                 |                  |                 |            |             |              |                 |
| 9  | 9  | PIU                     |   |   |   |   |                      |          |     |          |                      |                 |                  |                 |            |             |              |                 |
| 10 | 10 | BASE                    |   |   |   |   |                      |          |     |          |                      |                 |                  |                 |            |             |              |                 |
| 11 | 11 | MENO                    |   |   |   |   |                      |          |     |          |                      |                 |                  |                 |            |             |              |                 |
| 12 | 12 | PIU                     |   |   |   |   |                      |          |     |          |                      |                 |                  |                 |            |             |              |                 |
| 13 | 13 | BASE                    |   |   |   |   |                      |          |     |          |                      |                 |                  |                 |            |             |              |                 |
| 14 | 14 | MENO                    |   |   |   |   |                      |          |     |          |                      |                 |                  |                 |            |             |              |                 |
| 15 | 15 | PIU                     |   |   |   |   |                      |          |     |          |                      |                 |                  |                 |            |             |              |                 |
| 16 | 16 | BASE                    |   |   |   |   |                      |          |     |          |                      |                 |                  |                 |            |             |              |                 |
| 17 | 17 | MENO                    |   |   |   |   |                      |          |     |          |                      |                 |                  |                 |            |             |              |                 |
| 18 | 18 | PIU                     |   |   |   |   |                      |          |     |          |                      |                 |                  |                 |            |             |              |                 |
| 19 | 19 | BASE                    |   |   |   |   |                      |          |     |          |                      |                 |                  |                 |            |             |              |                 |
| 20 | 20 | MENO                    |   |   |   |   |                      |          |     |          |                      |                 |                  |                 |            |             |              |                 |
| 21 | 21 | PIU                     |   |   |   |   |                      |          |     |          |                      |                 |                  |                 |            |             |              |                 |
| 22 | 22 | BASE                    |   |   |   |   |                      |          |     |          |                      |                 |                  |                 |            |             |              |                 |
| 23 | 23 | MENO                    |   |   |   |   |                      |          |     |          |                      |                 |                  |                 |            |             |              |                 |
| 24 | 24 | PIU                     |   |   |   |   |                      |          |     |          |                      |                 |                  |                 |            |             |              |                 |
| 25 | 25 | BASE                    |   |   |   |   |                      |          |     |          |                      |                 |                  |                 |            |             |              |                 |
| 26 | 26 | MENO                    |   |   |   |   |                      |          |     |          |                      |                 |                  |                 |            |             |              |                 |
| 27 | 27 | PIU                     |   |   |   |   |                      |          |     |          |                      |                 |                  |                 |            |             |              |                 |
| 28 | 28 | BASE                    |   |   |   |   |                      |          |     |          |                      |                 |                  |                 |            |             |              |                 |
| 29 | 29 | MENO                    |   |   |   |   |                      |          |     |          |                      |                 |                  |                 |            |             |              |                 |
| 30 | 30 | PIU                     |   |   |   |   |                      |          |     |          |                      |                 |                  |                 |            |             |              |                 |
| 31 | 31 | BASE                    |   |   |   |   |                      |          |     |          |                      |                 |                  |                 |            |             |              |                 |
| 32 | 32 | MENO                    |   |   |   |   |                      |          |     |          |                      |                 |                  |                 |            |             |              |                 |
| 33 | 33 | PIU                     |   |   |   |   |                      |          |     |          |                      |                 |                  |                 |            |             |              |                 |
| 34 | 34 | BASE                    |   |   |   |   |                      |          |     |          |                      |                 |                  |                 |            |             |              |                 |
| 35 | 35 | MENO                    |   |   |   |   |                      |          |     |          |                      |                 |                  |                 |            |             |              |                 |
| 36 | 36 | PIU                     |   |   |   |   |                      |          |     |          |                      |                 |                  |                 |            |             |              |                 |
| 37 | 37 | BASE                    |   |   |   |   |                      |          |     |          |                      |                 |                  |                 |            |             |              |                 |
| 38 | 38 | MENO                    |   |   |   |   |                      |          |     |          |                      |                 |                  |                 |            |             |              |                 |
| 39 | 39 | PIU                     |   |   |   |   |                      |          |     |          |                      |                 |                  |                 |            |             |              |                 |
| 40 | 40 | BASE                    |   |   |   |   |                      |          |     |          |                      |                 |                  |                 |            |             |              |                 |
| 41 | 41 | MENO                    |   |   |   |   |                      |          |     |          |                      |                 |                  |                 |            |             |              |                 |
| 42 | 42 | PIU                     |   |   |   |   |                      |          |     |          |                      |                 |                  |                 |            |             |              |                 |
| 43 | 43 | BASE                    |   |   |   |   |                      |          |     |          |                      |                 |                  |                 |            |             |              |                 |
| 44 | 44 | MENO                    |   |   |   |   |                      |          |     |          |                      |                 |                  |                 |            |             |              |                 |
| 45 | 45 | PIU                     |   |   |   |   |                      |          |     |          |                      |                 |                  |                 |            |             |              |                 |
| 46 | 46 | BASE                    |   |   |   |   |                      |          |     |          |                      |                 |                  |                 |            |             |              |                 |
| 47 | 47 | MENO                    |   |   |   |   |                      |          |     |          |                      |                 |                  |                 |            |             |              |                 |
| 48 | 48 | PIU                     |   |   |   |   |                      |          |     |          |                      |                 |                  |                 |            |             |              |                 |
| 49 | 49 | BASE                    |   |   |   |   |                      |          |     |          |                      |                 |                  |                 |            |             |              |                 |
| 50 | 50 | MENO                    |   |   |   |   |                      |          |     |          |                      |                 |                  |                 |            |             |              |                 |
| 51 | 51 | PIU                     |   |   |   |   |                      |          |     |          |                      |                 |                  |                 |            |             |              |                 |
| 52 | 52 | BASE                    |   |   |   |   |                      |          |     |          |                      |                 |                  |                 |            |             |              |                 |
| 53 | 53 | MENO                    |   |   |   |   |                      |          |     |          |                      |                 |                  |                 |            |             |              |                 |
| 54 | 54 | PIU                     |   |   |   |   |                      |          |     |          |                      |                 |                  |                 |            |             |              |                 |
| 55 | 55 | BASE                    |   |   |   |   |                      |          |     |          |                      |                 |                  |                 |            |             |              |                 |
| 56 | 56 | MENO                    |   |   |   |   |                      |          |     |          |                      |                 |                  |                 |            |             |              |                 |
| 57 | 57 | PIU                     |   |   |   |   |                      |          |     |          |                      |                 |                  |                 |            |             |              |                 |
| 58 | 58 | BASE                    |   |   |   |   |                      |          |     |          |                      |                 |                  |                 |            |             |              |                 |
| 59 | 59 | MENO                    |   |   |   |   |                      |          |     |          |                      |                 |                  |                 |            |             |              |                 |
| 60 | 60 | PIU                     |   |   |   |   |                      |          |     |          |                      |                 |                  |                 |            |             |              |                 |
| 61 | 61 | BASE                    |   |   |   |   |                      |          |     |          |                      |                 |                  |                 |            |             |              |                 |
| 62 | 62 | MENO                    |   |   |   |   |                      |          |     |          |                      |                 |                  |                 |            |             |              |                 |
| 63 | 63 | PIU                     |   |   |   |   |                      |          |     |          |                      |                 |                  |                 |            |             |              |                 |
| 64 | 64 | BASE                    |   |   |   |   |                      |          |     |          |                      |                 |                  |                 |            |             |              |                 |
| 65 | 65 | MENO                    |   |   |   |   |                      |          |     |          |                      |                 |                  |                 |            |             |              |                 |
| 66 | 66 | PIU                     |   |   |   |   |                      |          |     |          |                      |                 |                  |                 |            |             |              |                 |
| 67 | 67 | BASE                    |   |   |   |   |                      |          |     |          |                      |                 |                  |                 |            |             |              |                 |
| 68 | 68 | MENO                    |   |   |   |   |                      |          |     |          |                      |                 |                  |                 |            |             |              |                 |
| 69 | 69 | PIU                     |   |   |   |   |                      |          |     |          |                      |                 |                  |                 |            |             |              |                 |
| 70 | 70 | BASE                    |   |   |   |   |                      |          |     |          |                      |                 |                  |                 |            |             |              |                 |
| 71 | 71 | MENO                    |   |   |   |   |                      |          |     |          |                      |                 |                  |                 |            |             |              |                 |
| 72 | 72 | PIU                     |   |   |   |   |                      |          |     |          |                      |                 |                  |                 |            |             |              |                 |
| 73 | 73 | BASE                    |   |   |   |   |                      |          |     |          |                      |                 |                  |                 |            |             |              |                 |
| 74 | 74 | MENO                    |   |   |   |   |                      |          |     |          |                      |                 |                  |                 |            |             |              |                 |
| 75 | 75 | PIU                     |   |   |   |   |                      |          |     |          |                      |                 |                  |                 |            |             |              |                 |
| 76 | 76 | BASE                    |   |   |   |   |                      |          |     |          |                      |                 |                  |                 |            |             |              |                 |
| 77 | 77 | MENO                    |   |   |   |   |                      |          |     |          |                      |                 |                  |                 |            |             |              |                 |
| 78 | 78 | PIU                     |   |   |   |   |                      |          |     |          |                      |                 |                  |                 |            |             |              |                 |
| 79 | 79 | BASE                    |   |   |   |   |                      |          |     |          |                      |                 |                  |                 |            |             |              |                 |
| 80 | 80 | MENO                    |   |   |   |   |                      |          |     |          |                      |                 |                  |                 |            |             |              |                 |
| 81 | 81 | PIU                     |   |   |   |   |                      |          |     |          |                      |                 |                  |                 |            |             |              |                 |
| 82 | 82 | BASE                    |   |   |   |   |                      |          |     |          |                      |                 |                  |                 |            |             |              |                 |
| 83 | 83 | MENO                    |   |   |   |   |                      |          |     |          |                      |                 |                  |                 |            |             |              |                 |
| 84 | 84 | PIU                     |   |   |   |   |                      |          |     |          |                      |                 |                  |                 |            |             |              |                 |
| 85 | 85 | BASE                    |   |   |   |   |                      |          |     |          |                      |                 |                  |                 |            |             |              |                 |
| 86 | 86 | MENO                    |   |   |   |   |                      |          |     |          |                      |                 |                  |                 |            |             |              |                 |
| 87 | 87 | PIU                     |   |   |   |   |                      |          |     |          |                      |                 |                  |                 |            |             |              |                 |
| 88 | 88 | BASE                    |   |   |   |   |                      |          |     |          |                      |                 |                  |                 |            |             |              |                 |
| 89 | 89 | MENO                    |   |   |   |   |                      |          |     |          |                      |                 |                  |                 |            |             |              |                 |
| 90 | 90 | PIU                     |   |   |   |   |                      |          |     |          |                      |                 |                  |                 |            |             |              |                 |
| 91 | 91 | BASE                    |   |   |   |   |                      |          |     |          |                      |                 |                  |                 |            |             |              |                 |
| 92 | 92 | MENO                    |   |   |   |   |                      |          |     |          |                      |                 |                  |                 |            |             |              |                 |
| 93 | 93 | PIU                     |   |   |   |   |                      |          |     |          |                      |                 |                  |                 |            |             |              |                 |
| 94 | 94 | BASE                    |   |   |   |   |                      |          |     |          |                      |                 |                  |                 |            |             |              |                 |
| 95 | 95 | MENO                    |   |   |   |   |                      |          |     |          |                      |                 |                  |                 |            |             |              |                 |
| 96 | 96 | PIU                     |   |   |   |   |                      |          |     |          |                      |                 |                  |                 |            |             |              |                 |
| 97 | 97 | BASE                    |   |   |   |   |                      |          |     |          |                      |                 |                  |                 |            |             |              |                 |
| 98 | 98 | MENO                    |   |   |   |   |                      |          |     |          |                      |                 |                  |                 |            |             |              |                 |

Countdown 238 185 170 80 120 105 75 120 105 75 135 125 80  
 P< attesa vuoto pressostato P> attesa pieno pressostato

**OPZIONE MEZZO CARICO:** Viene attivata la funzione MENO-Il display visualizzerà 5 minuti in meno

| 1         | 2  | FASI DI LAVAGGIO   | OPZIONE EXTRA DRY |          |      |          |                      |                 |                 |                 |            |            |              |           |              |              |        | Tempistica<br>step |         |
|-----------|----|--|-------------------|----------|------|----------|----------------------|-----------------|-----------------|-----------------|------------|------------|--------------|-----------|--------------|--------------|--------|--------------------|---------|
|           |    |  | NOTTE             | ECO PLUS | ECO  | DELICATO | AUTO UNIVERSALE PLUS | AUTO UNIVERSALE | AUTO GIORNALERO | UNIVERSALE PLUS | UNIVERSALE | GIORNALERO | IGIENIZZANTE | INTENSIVO | FORTE VELOCE | CLASSE A 59' | RAPIDO |                    | AMMOLLO |
| 3         | 4  | ALTERATORE   | PIU               | PIU      | BASE | MENO     | PIU                  | BASE            | MENO            | PIU             | BASE       | MENO       | PIU          | BASE      | MENO         | PIU          | BASE   | MENO               |         |
| 5         | 6  | RISCIACQUO RESINE ***                                      |                   |          |      |          |                      |                 |                 |                 |            |            |              |           |              |              |        |                    |         |
| 6         | 7  | *Carico (C) Scarico Sc.Resine                              |                   |          |      |          |                      |                 |                 |                 |            |            |              |           |              |              |        |                    |         |
| 7         | 8  | *Carico (C) Scarico Sc.Resine                              |                   |          |      |          |                      |                 |                 |                 |            |            |              |           |              |              |        |                    |         |
| 8         | 9  | *Carico (C) Scarico Sc.Resine                              |                   |          |      |          |                      |                 |                 |                 |            |            |              |           |              |              |        |                    |         |
| 9         | 10 | *Carico (C) Scarico Sc.Resine                              |                   |          |      |          |                      |                 |                 |                 |            |            |              |           |              |              |        |                    |         |
| 11        | 12 | PRELAVAGGIO Scarico  |                   |          |      |          |                      |                 |                 |                 |            |            |              |           |              |              |        |                    |         |
| 13        | 14 | Carico (P) Scarico   |                   |          |      |          |                      |                 |                 |                 |            |            |              |           |              |              |        |                    |         |
| 15        | 16 | Carico (C) Lavaggio  |                   |          |      |          |                      |                 |                 |                 |            |            |              |           |              |              |        |                    |         |
| 17        | 18 | Carico (P) Lavaggio Resistenza                             |                   |          |      |          |                      |                 |                 |                 |            |            |              |           |              |              |        |                    |         |
| 19        | 20 | Lavaggio Scarico   |                   |          |      |          |                      |                 |                 |                 |            |            |              |           |              |              |        |                    |         |
| 21        | 22 | Lavaggio Scarico   |                   |          |      |          |                      |                 |                 |                 |            |            |              |           |              |              |        |                    |         |
| 23        | 24 | Carico (T) Scarico Pulizia filtro                          |                   |          |      |          |                      |                 |                 |                 |            |            |              |           |              |              |        |                    |         |
| 25        | 26 | LAVAGGIO Carico (P) Scarico                                |                   |          |      |          |                      |                 |                 |                 |            |            |              |           |              |              |        |                    |         |
| 27        | 28 | Carico (C) Lavaggio  |                   |          |      |          |                      |                 |                 |                 |            |            |              |           |              |              |        |                    |         |
| 29        | 30 | Carico (P) Lavaggio Detersivo                              |                   |          |      |          |                      |                 |                 |                 |            |            |              |           |              |              |        |                    |         |
| 31        | 32 | Lavaggio Resistenza  |                   |          |      |          |                      |                 |                 |                 |            |            |              |           |              |              |        |                    |         |
| 33        | 34 | Lavaggio Scarico   |                   |          |      |          |                      |                 |                 |                 |            |            |              |           |              |              |        |                    |         |
| 35        | 36 | Lavaggio   |                   |          |      |          |                      |                 |                 |                 |            |            |              |           |              |              |        |                    |         |
| 37        | 38 | Lavaggio   |                   |          |      |          |                      |                 |                 |                 |            |            |              |           |              |              |        |                    |         |
| 39        | 40 | Carico (C) Lavaggio  |                   |          |      |          |                      |                 |                 |                 |            |            |              |           |              |              |        |                    |         |
| 41        | 42 | Carico (P) Lavaggio  |                   |          |      |          |                      |                 |                 |                 |            |            |              |           |              |              |        |                    |         |
| 43        | 44 | Lavaggio Scarico Pulizia filtro                            |                   |          |      |          |                      |                 |                 |                 |            |            |              |           |              |              |        |                    |         |
| 45        | 46 | RISCIACQUO FREDDO Carico (P) Scarico                       |                   |          |      |          |                      |                 |                 |                 |            |            |              |           |              |              |        |                    |         |
| 47        | 48 | Carico (C) Lavaggio  |                   |          |      |          |                      |                 |                 |                 |            |            |              |           |              |              |        |                    |         |
| 49        | 50 | Carico (P) Lavaggio  |                   |          |      |          |                      |                 |                 |                 |            |            |              |           |              |              |        |                    |         |
| 51        | 52 | Lavaggio Scarico   |                   |          |      |          |                      |                 |                 |                 |            |            |              |           |              |              |        |                    |         |
| 53        | 54 | Lavaggio Scarico   |                   |          |      |          |                      |                 |                 |                 |            |            |              |           |              |              |        |                    |         |
| 55        | 56 | RISCIACQUO CALDO Carico (P) Scarico                        |                   |          |      |          |                      |                 |                 |                 |            |            |              |           |              |              |        |                    |         |
| 57        | 58 | Carico (C) Lavaggio  |                   |          |      |          |                      |                 |                 |                 |            |            |              |           |              |              |        |                    |         |
| 59        | 60 | Carico (P) Lavaggio  |                   |          |      |          |                      |                 |                 |                 |            |            |              |           |              |              |        |                    |         |
| 61        | 62 | Lavaggio Rigenero  |                   |          |      |          |                      |                 |                 |                 |            |            |              |           |              |              |        |                    |         |
| 63        | 64 | Lavaggio Resistenza Brillantante                           |                   |          |      |          |                      |                 |                 |                 |            |            |              |           |              |              |        |                    |         |
| 65        | 66 | ASCIUGATURA TRADIZIONALE Lavaggio Resistenza valore Eeprom |                   |          | 73°C |          | 73°C                 |                 | 73°C            |                 | 73°C       |            | 73°C         |           |              |              |        |                    |         |
| 67        | 68 | Lavaggio Scarico   |                   |          |      |          |                      |                 |                 |                 |            |            |              |           |              |              |        |                    |         |
| 69        | 70 | Carico (C) Scarico Rigenero                                |                   |          |      |          |                      |                 |                 |                 |            |            |              |           |              |              |        |                    |         |
| 71        | 72 | Pausa Scarico  |                   |          | 40'  |          | 40'                  |                 | 40'             |                 | 40'        |            | 40'          |           |              |              |        |                    |         |
| 73        | 74 | *Carico (C) Scarico Sc.Resine                              |                   |          |      |          |                      |                 |                 |                 |            |            |              |           |              |              |        |                    |         |
| 75        | 76 | *Carico (C) Scarico Sc.Resine                              |                   |          |      |          |                      |                 |                 |                 |            |            |              |           |              |              |        |                    |         |
| 77        | 78 | *Carico (C) Scarico Sc.Resine                              |                   |          |      |          |                      |                 |                 |                 |            |            |              |           |              |              |        |                    |         |
| 79        | 80 | ASCIUGATURA VENTILATA Lavaggio Resistenza                  |                   |          | 65°C |          | 65°C                 |                 | 65°C            |                 | 65°C       |            | 65°C         |           |              |              |        |                    |         |
| 81        | 82 | Lavaggio Scarico   |                   |          |      |          |                      |                 |                 |                 |            |            |              |           |              |              |        |                    |         |
| 83        | 84 | Carico (C) Scarico Rigenero                                |                   |          |      |          |                      |                 |                 |                 |            |            |              |           |              |              |        |                    |         |
| 85        | 86 | Pausa Scarico  |                   |          | 5'   |          | 5'                   |                 | 5'              |                 | 5'         |            | 5'           |           |              |              |        |                    |         |
| 87        | 88 | Pausa Ventilazione   |                   |          | 35'  |          | 35'                  |                 | 35'             |                 | 35'        |            | 35'          |           |              |              |        |                    |         |
| 89        | 90 | *Carico (C) Scarico Sc.Resine                              |                   |          |      |          |                      |                 |                 |                 |            |            |              |           |              |              |        |                    |         |
| 91        | 92 | *Carico (C) Scarico Sc.Resine                              |                   |          |      |          |                      |                 |                 |                 |            |            |              |           |              |              |        |                    |         |
| 93        | 94 | *Carico (C) Scarico Sc.Resine                              |                   |          |      |          |                      |                 |                 |                 |            |            |              |           |              |              |        |                    |         |
| Countdown |    |  | 255               | 175      | 160  | 100      | 138/128              | 123/103         | 113/103         | 138             | 123        | 113        | 150          | 140       | 115          | 59           | 29     | 5                  |         |

P< attesa vuoto pressostato

P> attesa pieno pressostato

**OPZIONE EXTRA DRY:** asciugatura tradizionale eseguita alla temperatura di 73°C con 40' di pausa, asc.ventilata alla temperatura di 65°C con 5' di pausa e 35' di ventola, inoltre non viene accettata l'opzione EXTRA DRY se l'opzione ECO è già inserita. L'opzione non è attiva con cicli Rapidi(Classa A 59',Rapido e Ammollo)



IMBUTO SALE

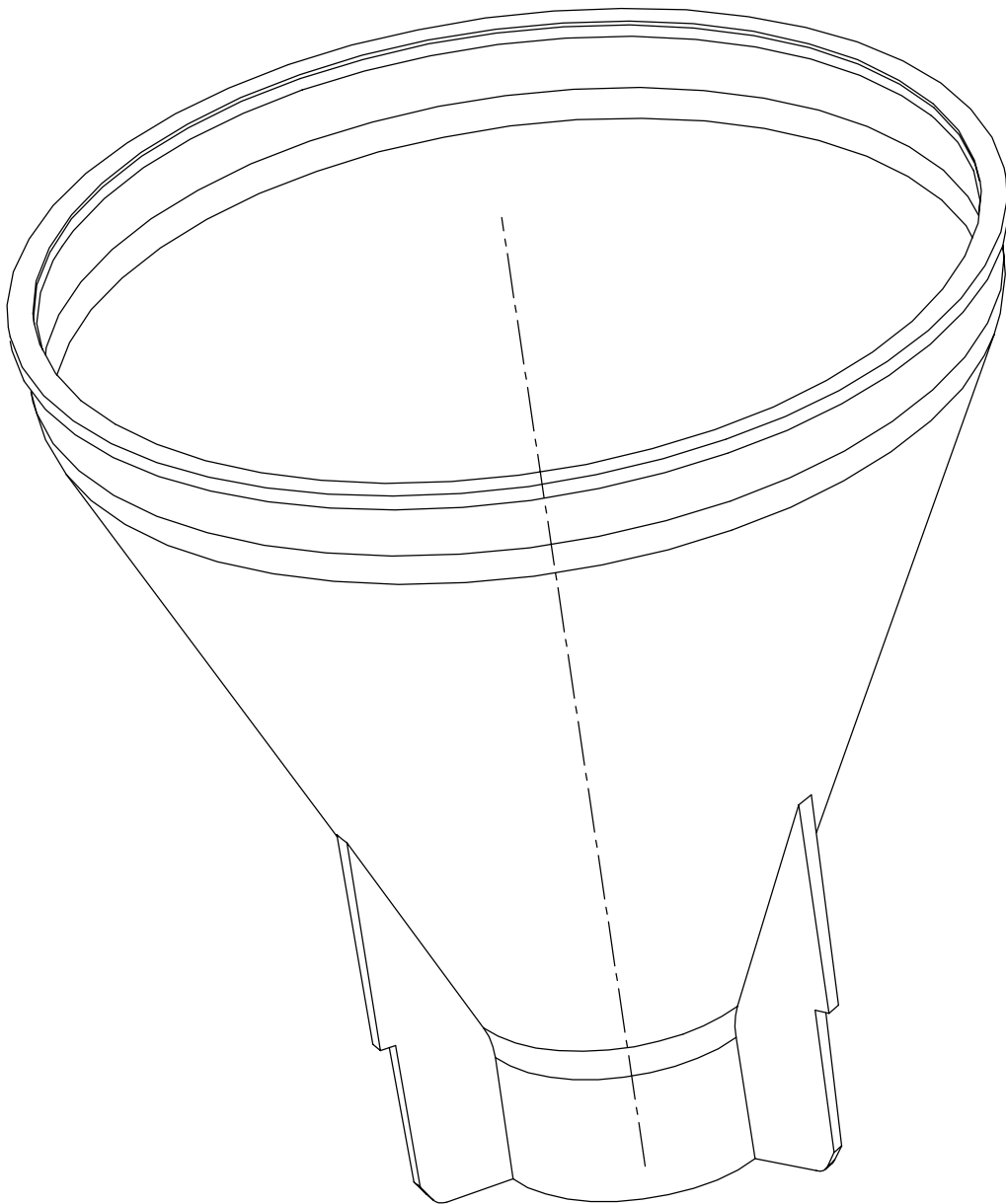
FUNNEL

ENTONNOIR

TRICHTER

EMBUDO

art. 91601457





## TUBI DI CARICO E SCARICO ACQUA DI LUNGHEZZA MAGGIORATA PER LAVASTOVIGLIE PRODOTTE DAL 2009

SU TUTTI I MODELLI E' POSSIBILE SOSTITUIRE IL TUBO DI CARICO E SCARICO ORIGINALI  
CON ANALOGHI DI LUNGHEZZA PARI A **2.5 METRI**.

|                 |  |
|-----------------|--|
| <b>92250141</b> | PROLUNGA PER TUBO DI CARICO (SENZA SICUREZZA)  |
| <b>49022188</b> | TUBO DI CARICO (SENZA SICUREZZA)   |
| <b>41007951</b> | TUBO DI CARICO CON PROTEZIONE TRASPARENTE  |
| <b>91941797</b> | TUBO DI CARICO PER MODELLI DOTATI DI " <b><u>WATER CONTROL</u></b> "<br>(SISTEMA DI SICUREZZA ANTI ALLAGAMENTO <u>SOLO SUL TUBO</u> ).                     |
| <b>41031953</b> | TUBO DI CARICO PER MODELLI DOTATI DI " <b><u>WATER BLOCK</u></b> " (SISTEMA<br>DI SICUREZZA ANTI ALLAGAMENTO TOTALE CON DOPPIA<br>ELETTRIVALVOLA SUL TUBO) |
| <b>41011986</b> | TUBO DI SCARICO SPIRALATO  |

## EXTENDED LENGHT WATER FILL HOSES AND DRAIN HOSES SUITABLE FOR DISHWASHERS FROM THE 2009 RANGE ONWARD

ON ALL MODELS OF DISHWASHER, IT'S POSSIBLE TO REPLACE THE ORIGINAL WATER FILL  
HOSE WITH A SPARE ONE **2.5 METERS LONG**.

|                 |   |
|-----------------|---|
| <b>92250141</b> | EXTENSION FILL HOSE (WITHOUT ANY SAFETY DEVICE).  |
| <b>49022188</b> | SIMPLE WATER FILL HOSE (WITHOUT ANY SAFETY DEVICE)  |
| <b>41007951</b> | WATER FILL HOSE WITH TRANSPARENT PROTECTION   |
| <b>91941797</b> | WATER FILL HOSE SUITABLE FOR APPLIANCES FITTED WITH " <b><u>WATER<br/>CONTROL</u></b> " (ANTI-FLOOD SAFETY SYSTEM, <b><u>PROTECTING THE ONLY<br/>FILL HOSE</u></b> ). |
| <b>41031953</b> | WATER FILL HOSE SUITABLE FOR APPLIANCES FITTED WITH " <b><u>WATER<br/>BLOCK</u></b> " (ANTI-FLOOD SAFETY SYSTEM WITH DOUBLE SOLENOID VALVE<br>ON THE SAME HOSE).      |
| <b>41011986</b> | DRAIN HOSE IN PLASTIC   |