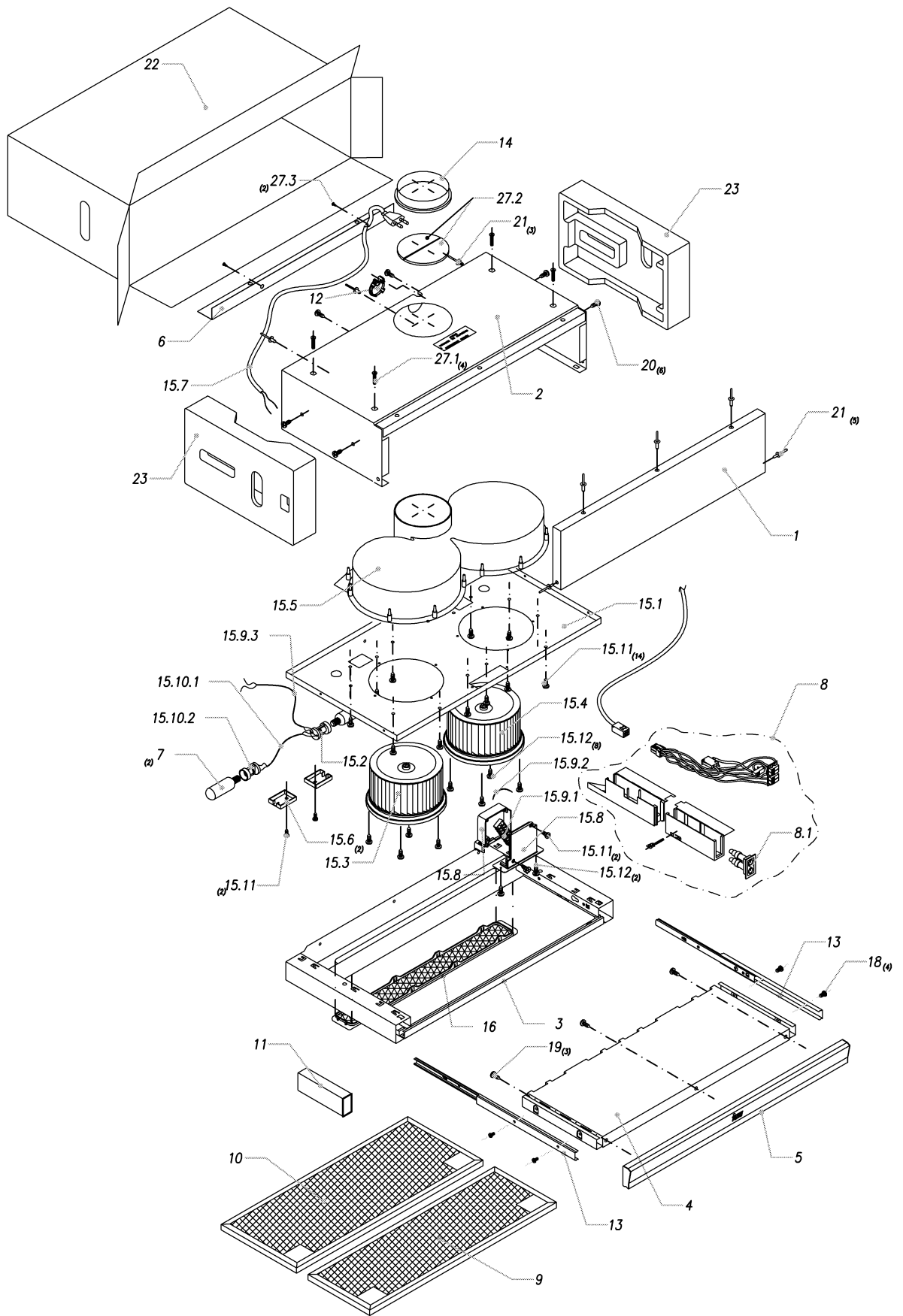


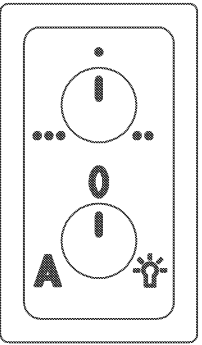
## Información técnica - despiece

**CAMPANA CNL1-2002 INOX (220V/50Hz) / COOKER HOOD CNL1-2002 S/STEEL (220V/50Hz) VR00 40436265**

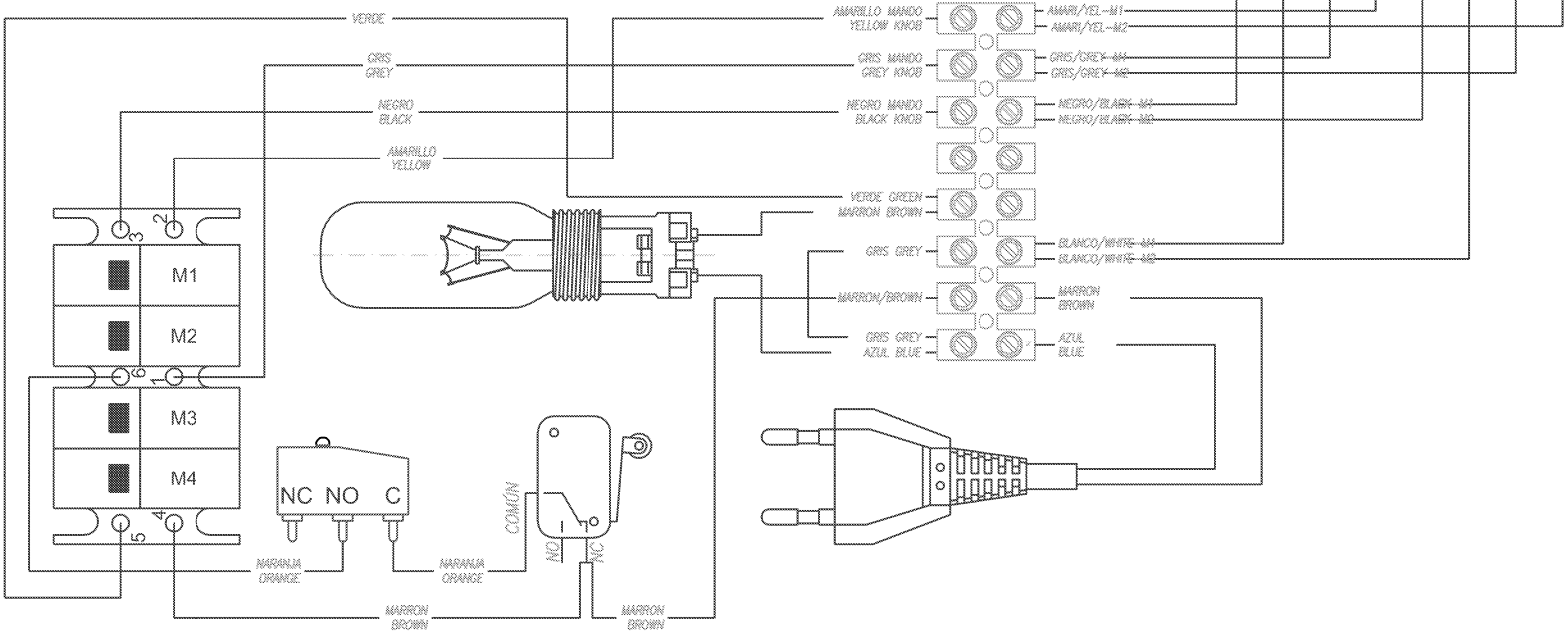
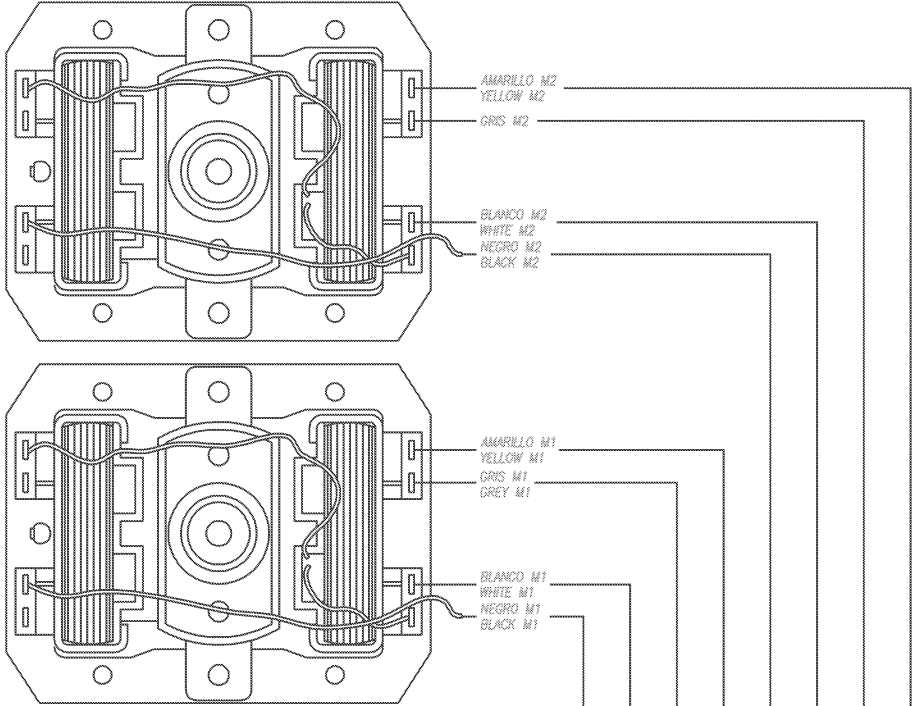
| <u>Posicion</u>           | <u>Código</u> | <u>Artículo</u>                                    | <u>Item</u>                          |
|---------------------------|---------------|--|--------------------------------------|
| <b>Nº Plano 82.000.01</b> |               | <b>Descripción Plano Explotado / Exploded view</b> |                                      |
| 00                        | 61801232      | FILTRO CARBON C1C CAMPANA CONVENCIONAL             | CHARCOAL FILTER                      |
| 01                        | 20436107      | TAPA CARCASA CNL-1001/2002 GALVANIZADA             | BODY HOOD COVER CNL-1001/2002        |
| 02                        | 20436210      | CARCASA CNL 2002 GALVANIZADO                       | BODY HOOD CNL-2002                   |
| 03                        | 20436208      | CONJUNTO MARCO CNL 1001-2002 INOX                  | FILTER FRAME - CNL-1001/2002 S/STEEL |
| 04                        | 20436207      | BANDEJA EXTRAIBLE CNL 1001-2002 INOX               | EXTRACTABLE SHELF CNL-1001/2002      |
| 05                        | 69936241      | FRONTIS COMPLETO CNL.1 INOX 600                    | FRONT PANEL ASSY. CNL1 S/STEEL       |
| 06                        | 20436061      | PROLONGADOR CNL 30x20 INOX                         | DECORATIVE SUPPLEMENT30x20           |
| 07                        | 60904902      | LAMPARA TUBULAR 220/240V 40W                       | LAMP 40W 220/240V                    |
| 08                        | 69936250      | CONJUNTO ELÉCTRICO CNL.1                           | SWITCH ASSY. + KNOBS BOX CNL1        |
| 08-1                      | 61836236      | EMBELLECEDOR ROTATIVO MOTOR+LUZ                    | DECORATIVE ROTARY SWITCH MOTOR +     |
| 09                        | 61836021      | FILTRO DECORATIVO MOVIL(511x184) CNL2002           | MOBILE METALLIC FILTER CNL-1001/2002 |
| 10                        | 61836020      | FILTRO DECORATIVO FIJO (547x209) CNL2002           | FIXED METALLIC FILTER CNL-1001/2002  |
| 11                        | 61836475      | EMBELLECEDOR IZQUIERDO CNX-6000                    | LEFT DECORATIVE FRAME CNX-6000       |
| 12                        | 61801253      | PASAMUROS CLAVIJA NUEVO                            | NEW ANGULAR CABLE GROMMET            |
| 13                        | 61836015      | JUEGO CORREDERAS CNL EXCENTRICA                    | SLIDING PROFILE CNL EXC              |
| 14                        | 61801264      | MANGUITO SALIDA EXTERIOR (120mm/120mm)             | OUTLET PIPE CNL-1001/2002            |
| 15-1                      | 20436209      | PANEL INTERMEDIO CNL 2002 GALVANIZADO              | INTERMEDIATE PANEL CNL-2002          |
| 15-10-1                   | 60904903      | CABLE MANGUERA PORTALAMP. L-530                    | LAMPHOLDER CABLE L= 520              |
| 15-10-2                   | 60904910      | PORTALAMPARAS REF. 39                              | LAMPHOLDER                           |
| 15-11                     | 60103016      | TORNILLO R/CH 3,6x13 FE ZIN (CELOP.PTA)            | SCREW DIN 7981 3,5 x 13              |
| 15-12                     | 60103010      | TORNILLO 3,5 x 9,5 FS (ACERO)                      | SCREW 3,5x9,5 DIN FS (STEEL)         |
| 15-2                      | 60904910      | PORTALAMPARAS REF. 39                              | LAMPHOLDER                           |
| 15-3                      | 60905049      | MOTOR 220V-50Hz 3V (RA)                            | LEFT MOTOR ASS. CNL-1001/2002        |
| 15-3a                     | 99313322      | RODETE MOTOR IZDO. CNL/C-601/GF (SAT)              | FAN PROPELLER - LEFT                 |
| 15-4                      | 60905050      | MOTOR 220V-50Hz 3V (RO)                            | RIGHT MOTOR ASS. CNL-2002            |
| 15-4a                     | 99313321      | VENTIL.RODETE MOTOR DCHO.CNL/C601/GF SAT           | FAN PROPELLER - RIGHT                |
| 15-5                      | 61801004      | EVOLUTA CNL-2000.3                                 | MOTOR HOUSING CNL 2000.3 / (97)      |
| 15-6                      | 61801064      | TAPA SOPORTE PORTALAMPARAS                         | LAMPHOLDER COVER GF-T                |
| 15-7                      | 61802021      | CABLE TOMA RED NEGRO L-1500 CLASE 2                | MAINS CONNECTING CABLE BLACK         |
| 15-8                      | 61836130      | TAPA+CAJA CONEXIONES CNL CLASE II                  | CONECTING COVER BOX+COVER CNL VR01   |
| 15-9-1                    | 60904244      | REGLETA CONEXION 8 POLOS 1104 PH/8P                | 8 POLES CONEXION BLOCK               |
| 15-9-2                    | 60904929      | PUENTE T/CORRIENTE GRIS L=70                       | GREY BRIDGE CABLE L=70               |
| 15-9-3                    | 60904940      | MANG. CONEX.P/LAMP.L-680 CNL-1000/2000.3           | LAMPHOLDER CABLE L-680               |
| 16                        | 61806044      | PLACA LUZ CS 6000 POLICARBONATO                    | LAMP SCREEN CS 6000 POLICARBONATE    |
| 18                        | 60104909      | TORNILLO M-4x4.5 CABEZA PHILIS                     | SCREW M4 x 4'5                       |
| 19                        | 60103012      | TORNILLO R/PL 3,5x35 DIN 7505 (CELOPLAST)          | SCREW 3,5x30 DIN 7505-A              |
| 20                        | 60103010      | TORNILLO 3,5 x 9,5 FS (ACERO)                      | SCREW 3,5x9,5 DIN FS (STEEL)         |
| 21                        | 60401909      | REMACHE 3,2 X 8 ALUMINIO                           | RIVET AL. 3,2x8                      |
| 22                        | 61836055      | CAJA EMBALAJE CNL 1001/2002                        | PACKING BOX CNL-1001/2002            |
| 23                        | 61836056      | DEFENSA EMBALAJE CNL 1001/2002 (JUEGOS)            | PACKING BOX PROTECTION CNL-1001/2002 |
| 27-0                      | 61836250      | MANUAL DE INSTRUCCIONES CNL.1 1001/2002            | INSTRUCTION MANUAL CNL1 1001/2002    |
| 27-1                      | 60106901      | TORNILLO M-6x30 EMB.CABEZA EXAG.RANURADA           | SCREW M6 x 30 DIN 7985               |
| 27-2                      | 61801269      | CONJUNTO ALETA (ANTI-RETORNO)                      | NON-RETURN FLAPS ASSY.               |
| 27-3                      | 60103013      | TORNILLO TRILOBULAR (FT-85 Z-3x6)                  | SCREW FT-85 Ø 3 x 6                  |



| Fecha       | Dibujado |     | Comprobado                        |     |  | TEKA INDUSTRIAL, S.A.<br>Fábrica de Alcalá de Henares<br>España |              |
|-------------|----------|-----|-----------------------------------|-----|--|---|--------------|
| 20/04/10    | R.G.LL.  | --- | E.L.P.                            | --- |  |   | N° de Plano: |
| Material:   | ---      |     | VISTA EXPLOTADA<br>CNL1-2002 INOX |     |  | Escala:   | S/D          |
| Desarrollo: | ---      |     |                                   |     |  | Sust. a:  | ---          |
| Tratam.:    | ---      |     |                                   |     |  | Sust. por:  | ---          |
| Acabado:    | ---      |     |                                   |     |  |   |              |



PULSADORES  
PUSH BUTTONS



|             |          |            |   |
|-------------|----------|------------|---|
| Fecha       | Dibujado | Comprobado |  <p>TEKA INDUSTRIAL, S.A.<br/>Fábrica de Alcañá de Henares<br/>España</p> |
| 08/03/10    | R.G.L.L. | ELP.       |   |
| Materia:    | ---      | ---        |   |
| Desarrollo: | ---      | ---        |   |
| Acabado:    | ---      | ---        |   |

|   |  |                        |
|---|--|------------------------|
| <p>ESQUEMA ELECTRICO /<br/>ELECTRICAL DIAGRAM<br/>CNL1-2002</p> |  | Nº de Plano: 81.099.01 |
| <p>Tratamiento: ---</p>   |  | Escala: ---            |
| <p>Acabado: ---</p>   |  | Sustituye a: ---       |
| <p>---</p>  |  | Sustituido por: ---    |