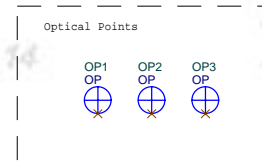
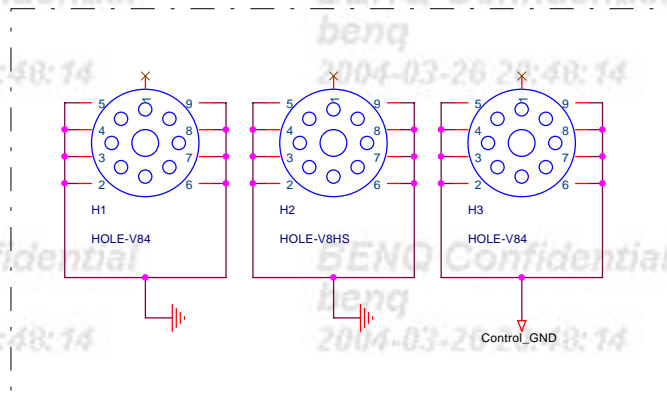
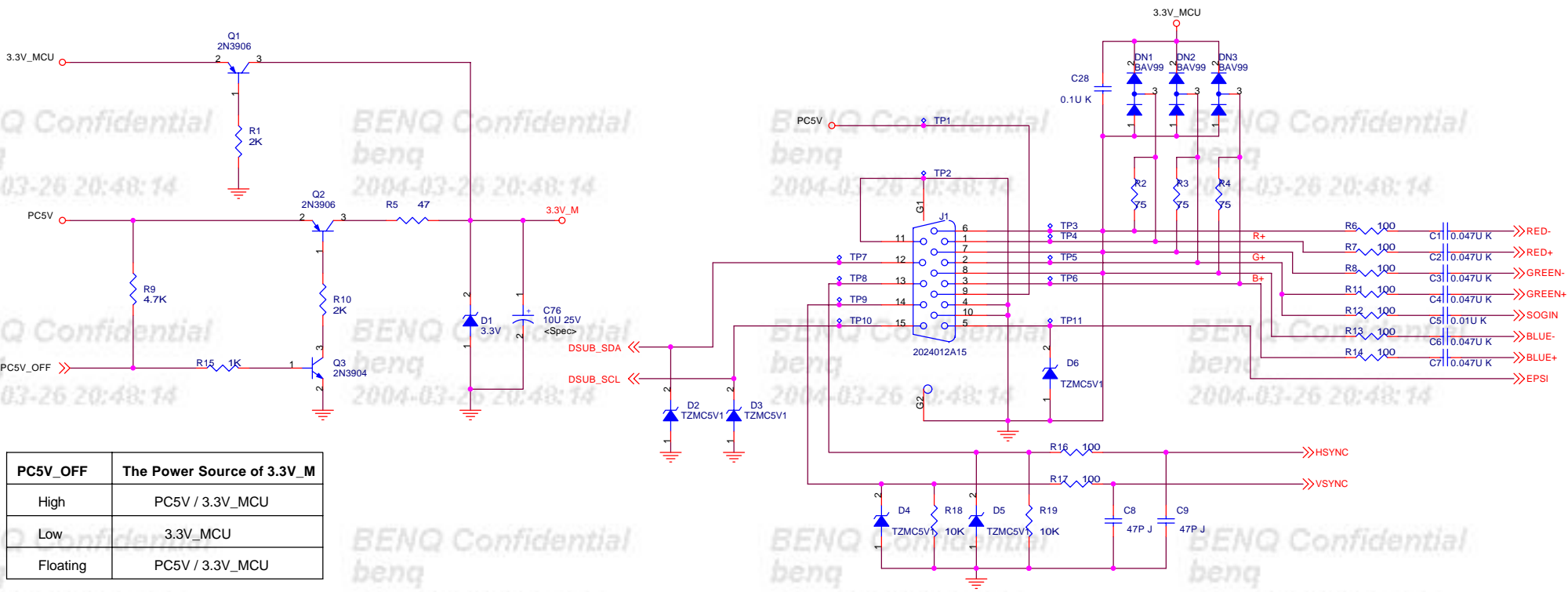


BENQ Confidential  
benq  
2004-03-26 20:48:14

Screw Holes



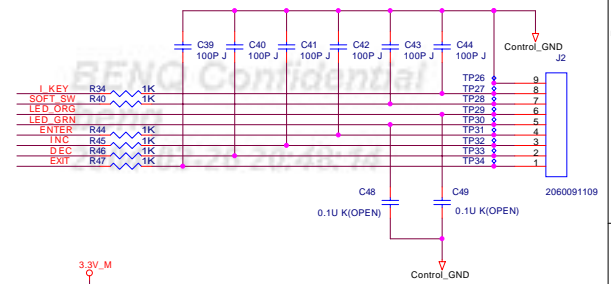
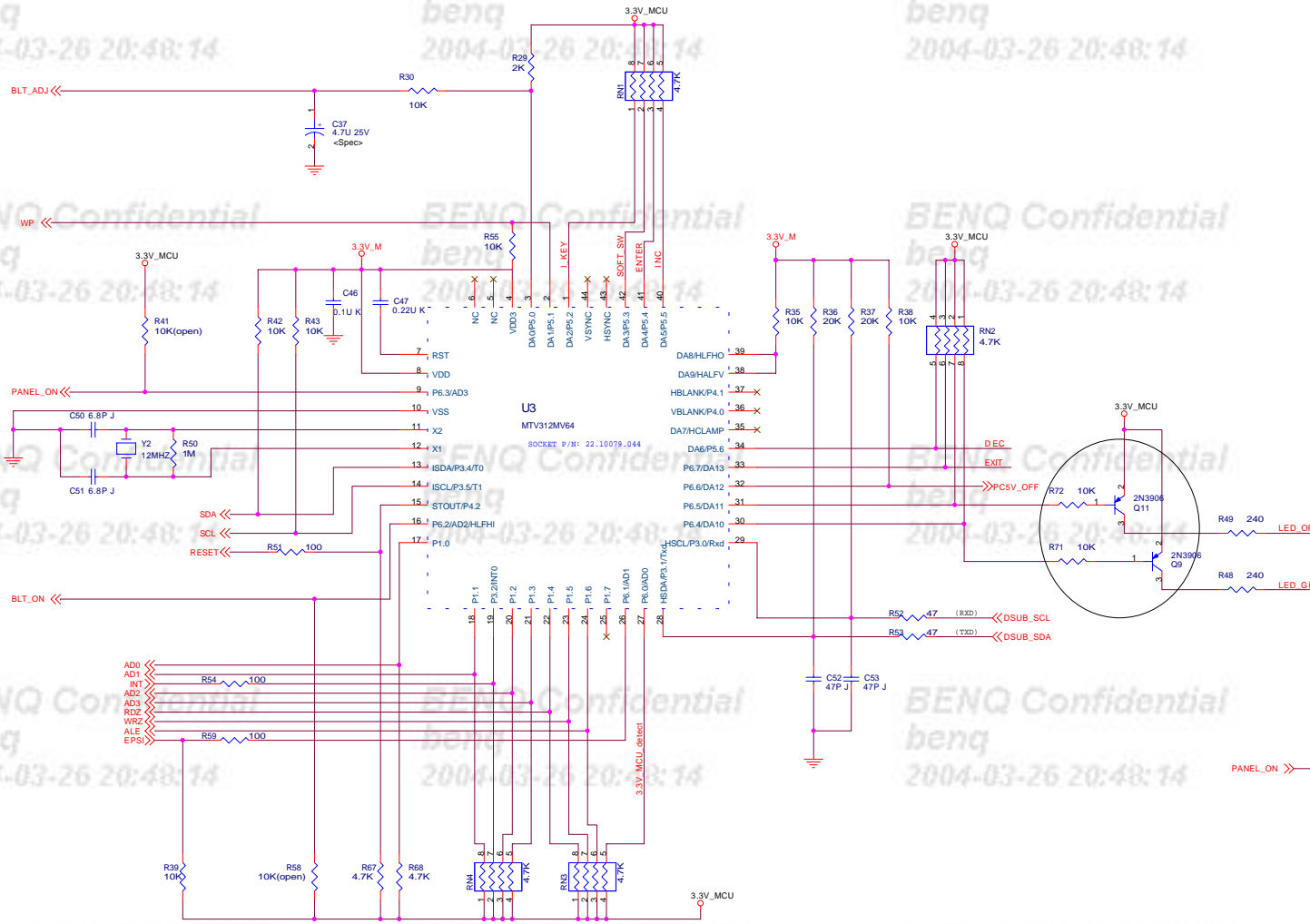
<b>Benq Corporation</b>			
Project Code	Model Name	OEM/ODM Model Name	
99.L0B72.001	Q5T3	<OEM/ODM>	
Title			
INTERFACE BOARD			
Size	PCB P/N	PCB Rev.	Document Number
<Size>	48.L0B01.A01	A01	99.L0B72.000-C3-304-001
Date:	Tuesday, January 06, 2004	Sheet	1 of 5
Prepared By	Reviewed By	Approved By	
ANGEL HU	PETER FU	ALEX WU	



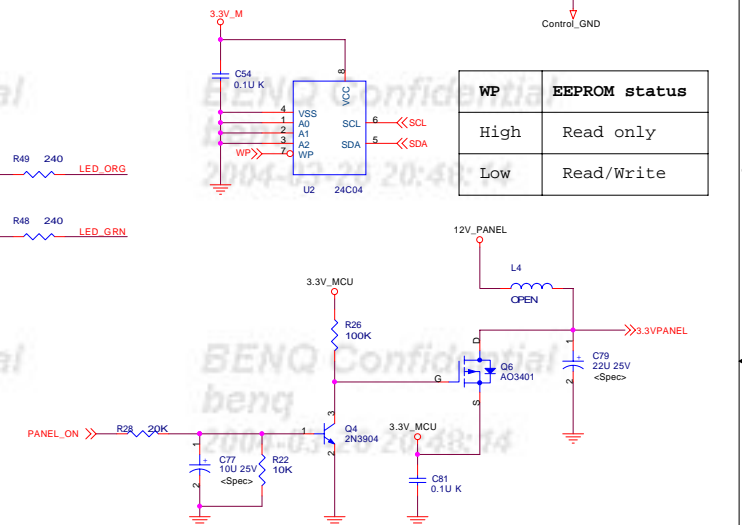
PC5V_OFF	The Power Source of 3.3V_M
High	PC5V / 3.3V_MCU
Low	3.3V_MCU
Floating	PC5V / 3.3V_MCU

==> While "3.3V\_MCU" exists, MCU should set "PC5V\_OFF" to "Low" to turn off "PC5V".

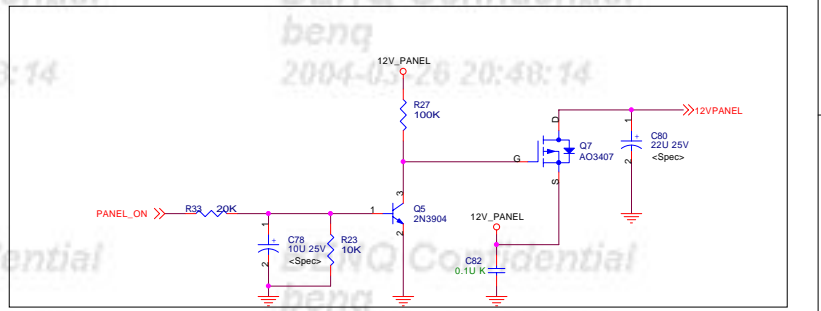
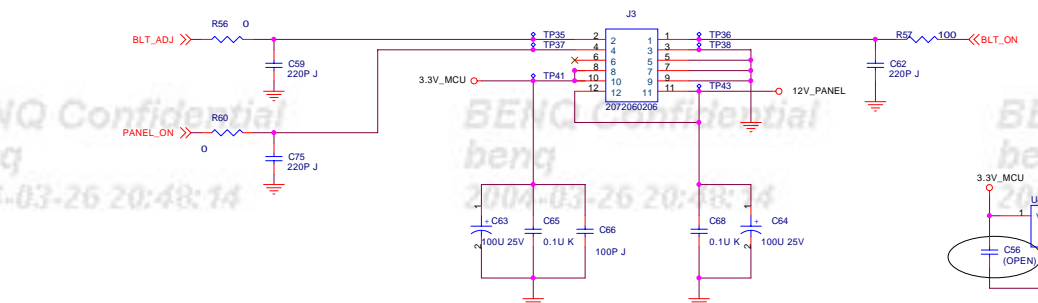
<b>Beng Corporation</b>			
Project Code	Model Name	OEM/ODM Model Name	
99.L0B72.001	Q5T3	<OEM/ODM>	
Title			
INTERFACE BOARD			
Size	PCB P/N	PCB Rev.	Document Number
<Size>	48.L0B01.A01	A01	99.L0B72.000-C3-304-001
Rev.			1
Date:	Friday, January 09, 2004	Sheet	2 of 5
Prepared By	Reviewed By	Approved By	
ANGEL HU	PETER FU	ALEX WU	



WP	EEPROM status
High	Read only
Low	Read/Write



Model	Q6	Q4	C77	C81	R28	R26	R22	L4
Q5T3-CPT	A03401	2N3904	10uF	0.1uF	20K	100K	10K	OPEN



Benq Corporation			
Project Code	Model Name	OEM/ODM Model Name	
99.LOB72.001	Q5T3	<DEM/ODM>	
Title: INTERFACE BOARD			
Size	PCB P/N	PCB Rev.	Document Number
<Size>	48.LOB01.A01	A01	99.LOB72.000-C3-304-001
Date:	Prepared By:	Reviewed By:	Approved By:
Friday, January 09, 2004	ANGEL HU	PETER FU	ALEX WU
Sheet	3 of 6		
	1		

BENQ Confidential  
benq  
2004-03-26 20:48:14

BENQ Confidential  
benq  
2004-03-26 20:48:14

BENQ Confidential  
benq  
2004-03-26 20:48:14

BENQ Confidential  
benq  
2004-03-26 20:48:14

BENQ Confidential  
benq  
2004-03-26 20:48:14

BENQ Confidential  
benq  
2004-03-26 20:48:14

BENQ Confidential  
benq  
2004-03-26 20:48:14

BENQ Confidential  
benq  
2004-03-26 20:48:14

BENQ Confidential  
benq  
2004-03-26 20:48:14

BENQ Confidential  
benq  
2004-03-26 20:48:14

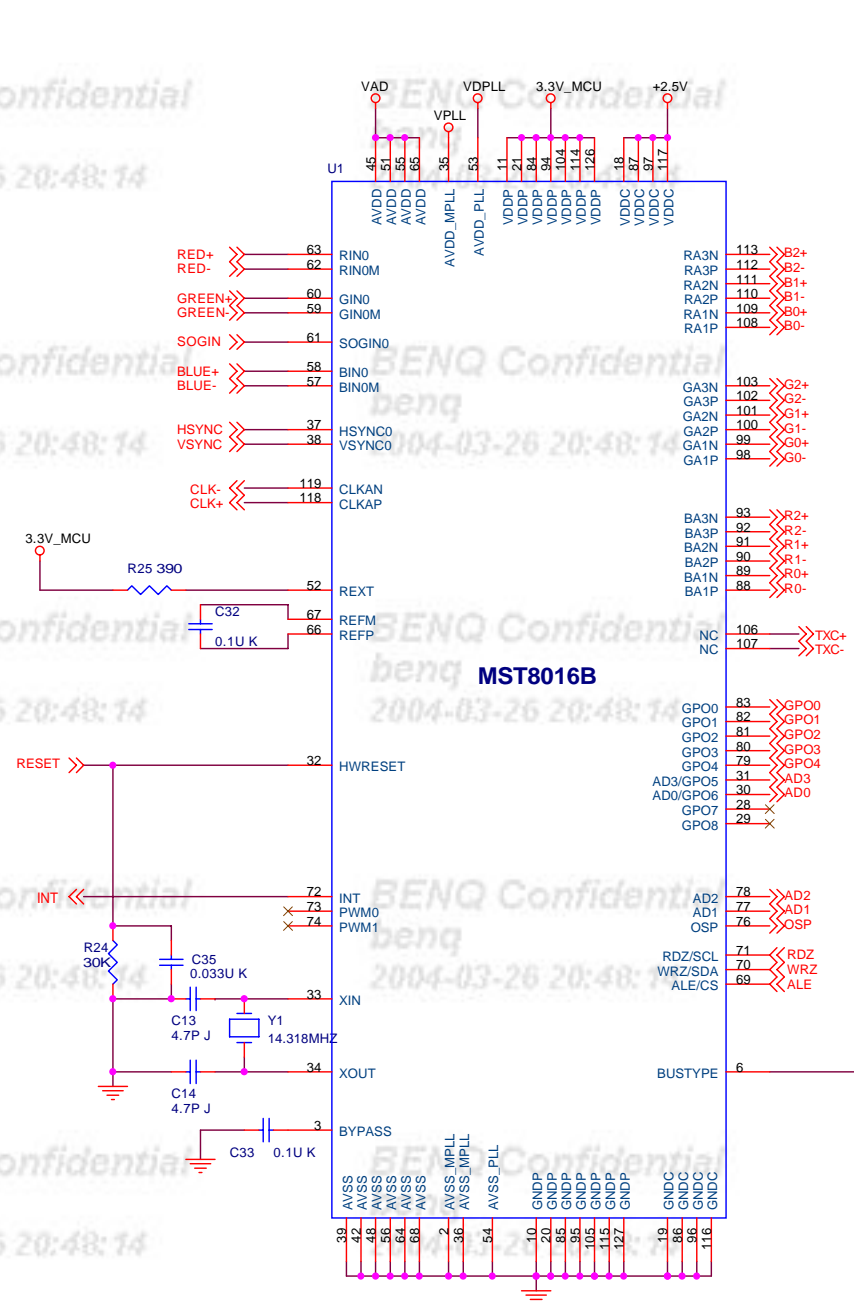
BENQ Confidential  
benq  
2004-03-26 20:48:14

BENQ Confidential  
benq  
2004-03-26 20:48:14

BENQ Confidential  
benq  
2004-03-26 20:48:14

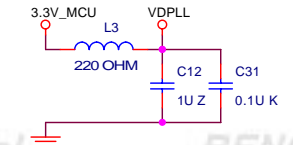
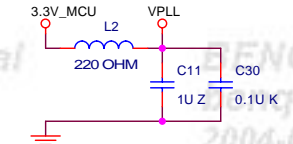
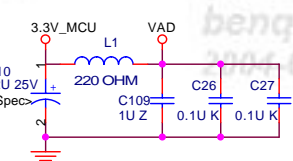
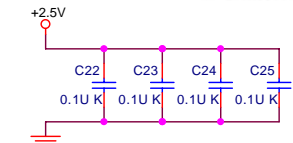
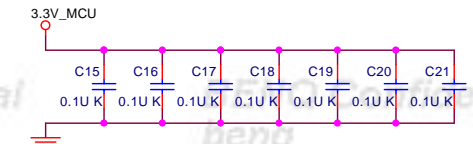
BENQ Confidential  
benq  
2004-03-26 20:48:14

BENQ Confidential  
benq  
2004-03-26 20:48:14



"TXC+" & "TXC-" are the definition of MST8011B

BUSType=High : Direct DDR Bus  
BUSType=Low : 3-wire Bus



Benq Corporation				
Project Code	Model Name	OEM/ODM Model Name		
99.L0B72.001	Q5T3	<OEM/ODM>		
Title: INTERFACE BOARD				
Size <Size>	PCB P/N	PCB Rev.	Document Number	Rev.
	48.L0B01.A01	A01	99.L0B72.000-C3-304-001	1
Date:	Friday, January 09, 2004	Sheet	4 of 5	
Prepared By		Reviewed By		Approved By
ANGEL HU		PETER FU		ALEX WU

