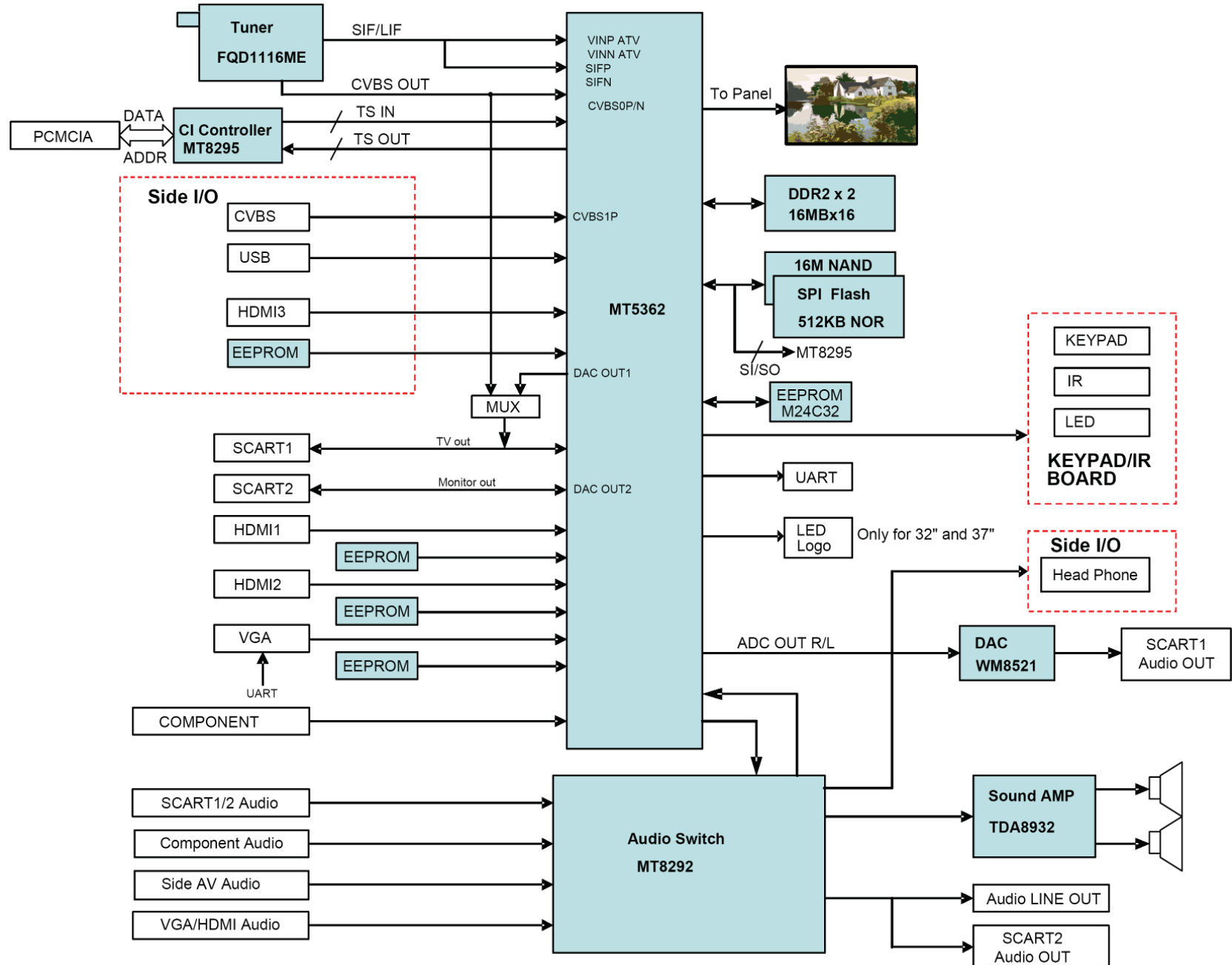


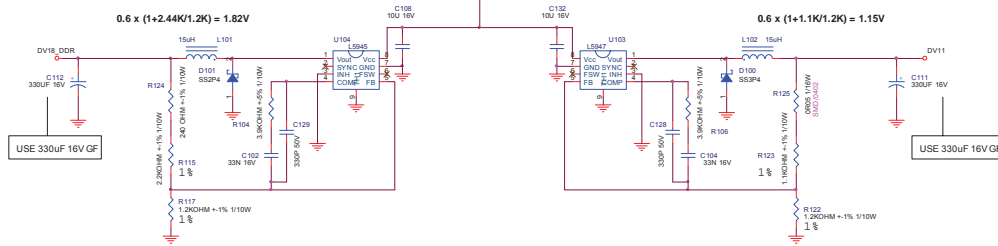
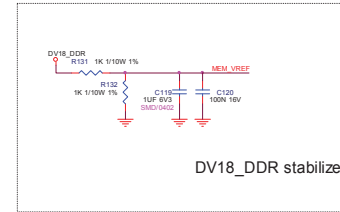
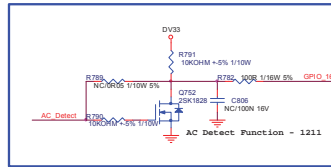
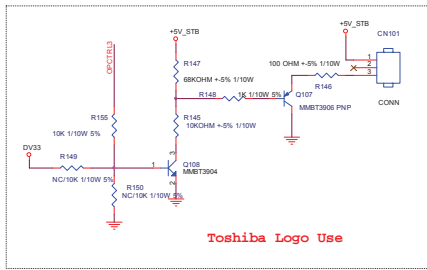
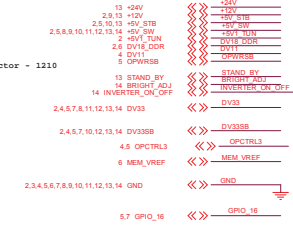
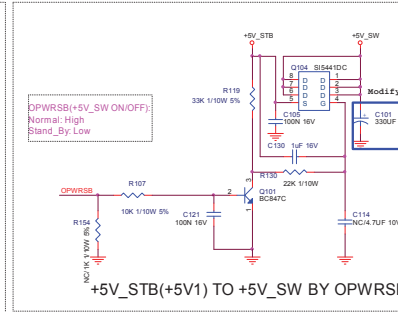
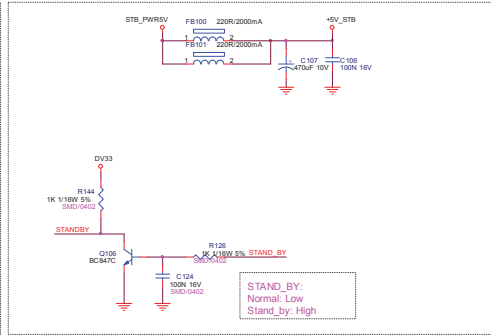
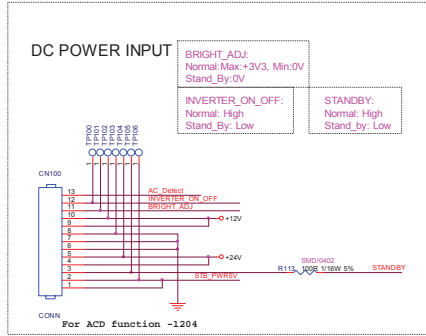
## 8. Block Diagram



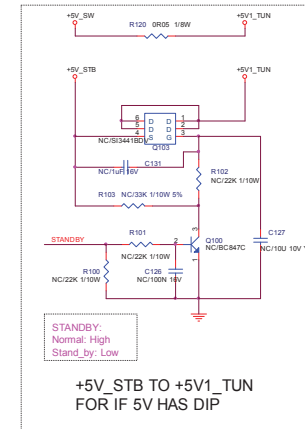
# 9. Schematic Diagram

## 9.1 Main Board 715G3431-1

### EU MT5362 - 4 LAYERS

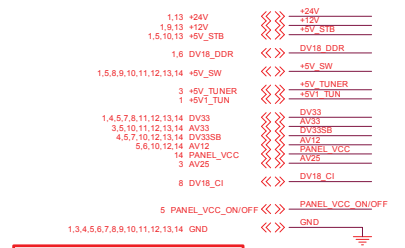
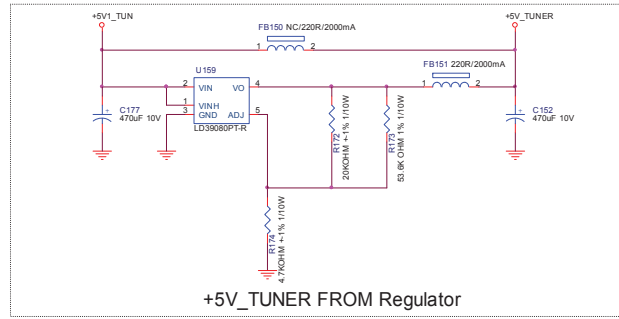
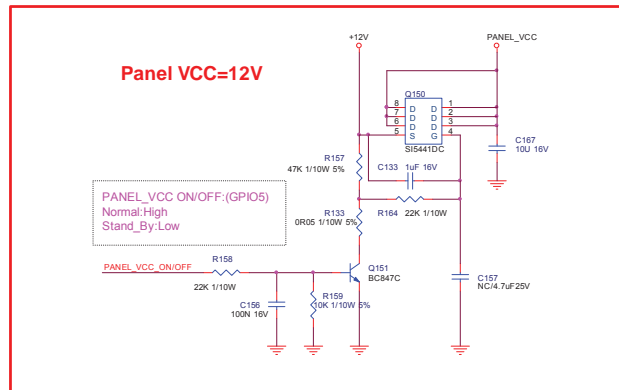
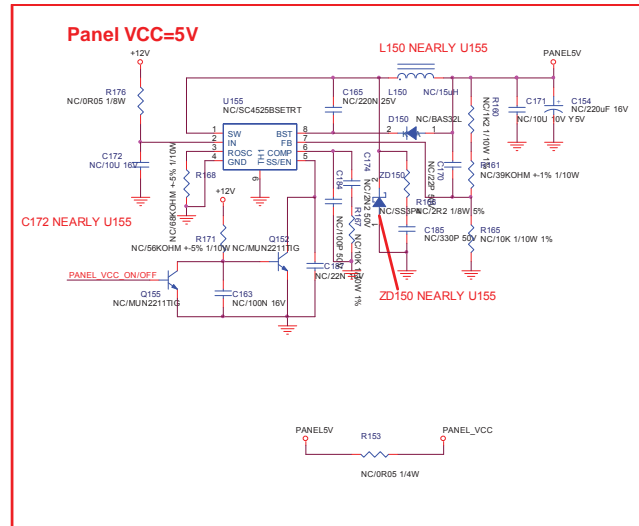
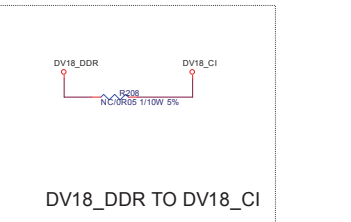
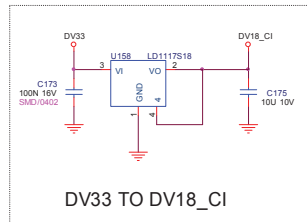
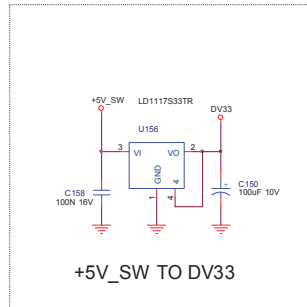
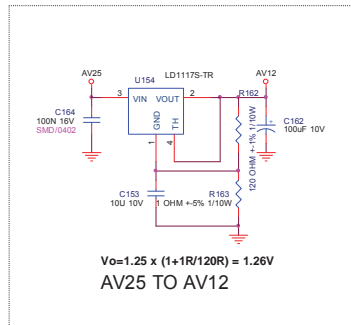
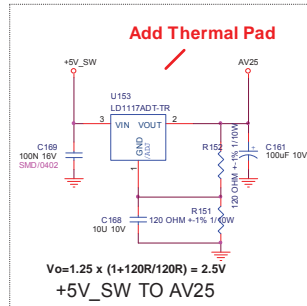
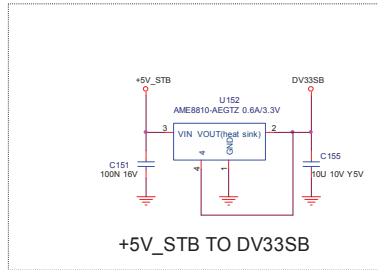
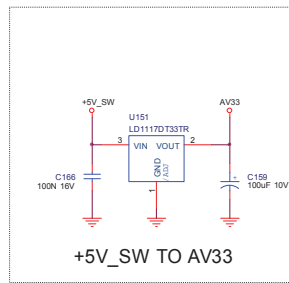


From +5V\_SW to +1V8/+1V1



The item of this page start from "100"

TPV (Top Victory Electronics Co., Ltd.)	OEM MODEL	Site	Custom
03431-A-X-081016	TPV MODEL	Rev	1
Key Component: 01_POWER.1	PCB NAME: 715G3431	Sheet	1 of 14
Date: Monday, December 29, 2009			



**Panel VCC deviation**

ITEM	PANEL VCC:+12V	PANEL VCC:+5V
R164	1K	N/C
Q151	BC847C	N/C
R155	0R	N/C
R157	2K2	N/C
Q150	SI5441	N/C
R158	1K	N/C
R159	10K	N/C
C167	22U	N/C
C156	100N	N/C
C157	4U7	N/C
C154	N/C	220uF/16V
R176	N/C	0R
C172	N/C	10uF
U155	N/C	SC4525B
R168	N/C	68K
Q155	N/C	MUN2211TIG
R171	N/C	56K
Q152	N/C	MUN2211TIG
C165	N/C	220N
C184	N/C	100P
C187	N/C	22N
C174	N/C	2N2
R167	N/C	10K
ZD150	N/C	SS3P4
L150	N/C	15UH
D150	N/C	BAS32L
C185	N/C	330P
C170	N/C	22P
R160	N/C	1K2
R161	N/C	39K
R166	N/C	2R2
C171	N/C	10uF
R153	N/C	0R
R165	N/C	10K
C163	N/C	100N

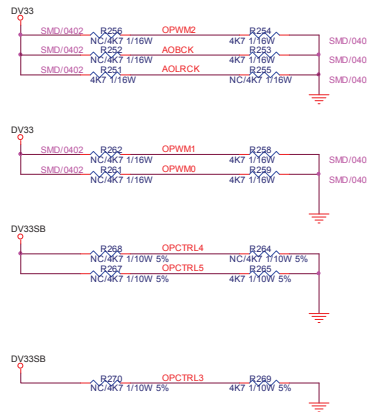
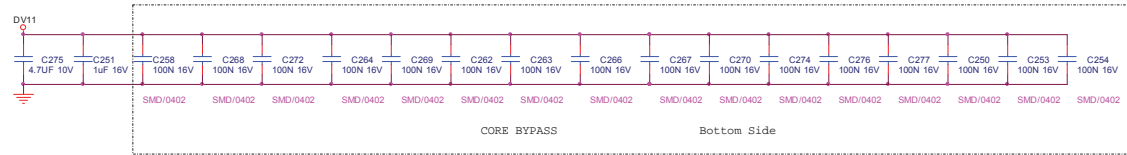
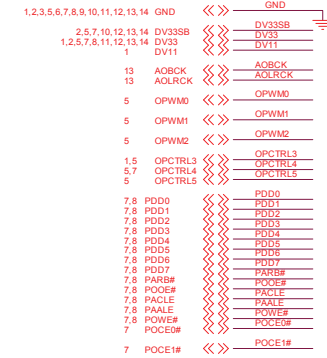
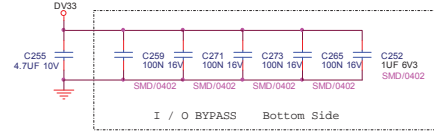
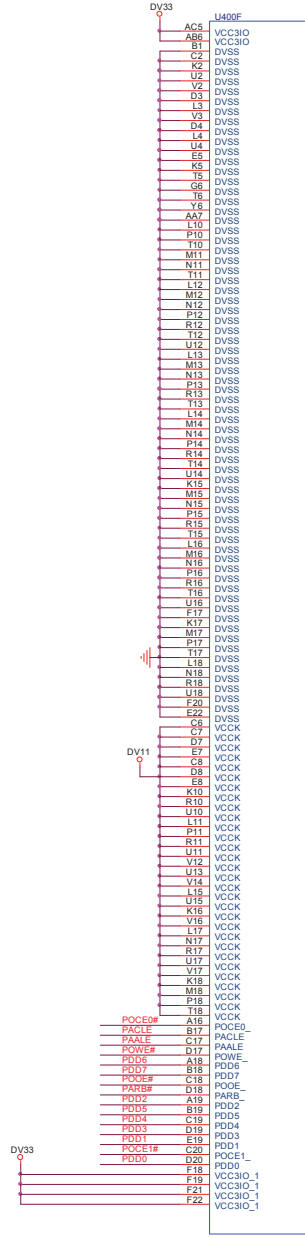
**+5V\_TUNER deviation of different Power board**

ITEM	POWER 32'/37"	POWER 42'/47"
FB150	N/C	BEAD
R175	0R	N/C
U159	LD39080	N/C
R174	4K7	N/C
C178	47UF/16V	N/C
R172	20K	N/C
R173	51K	N/C
C176	1N/25V	N/C
C177	47UF/16V	N/C

The item of this page start from "150"

T P V (Top Victory Electronics Co., Ltd.)	OEM MODEL	Size	C
TPV MODEL			
Key Component G3431-A-X-081016	TPV MODEL	Rev	1
PCB NAME 02_POWER_2	PCB NAME	715G3431	
Date Monday, December 29, 2008	Sheet	2 of 14	





Trap Mode	OPWM2	AOBCK	AOLRCK
Normal mode	0	0	0
ICE mode	0	0	1
CPU model mode	0	1	0

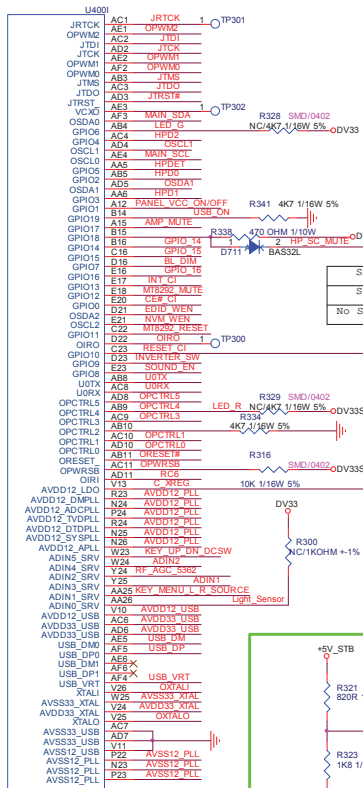
Trap Mode	OPWM0	OPWM1
NOR BOOT	0	0
NAND BOOT	0	1
LARGE NAND BOOT	1	0

Trap Mode	OPCTRL5	OPCTRL4
Core Reset lus	0	0
Core Reset 3.3V	0	1
SCAN mode	1	0
Core Reset 0.9V	1	1

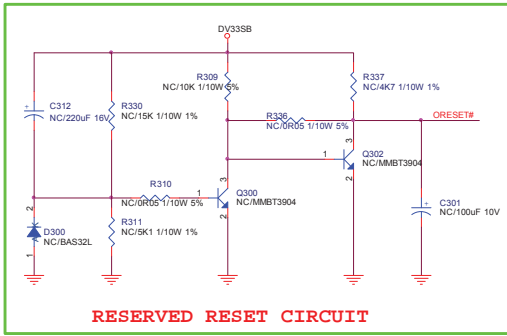
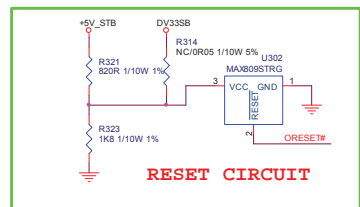
Strapping Mode	OPCTRL3(0)	OPCTRL2(0)
XTAL 54MHz	0	0
XTAL 27MHz	1	0

The item of this page start from "250"

TPV ( Top Victory Electronics Co., Ltd. )	OEM MODEL	Size	Custom
話筒及振膜	G3431-A-XX-081016	Rev	1
Key Component	04. MT5381 BYPASS/TRAP.	PCB NAME	715G3431
Date	Monday, December 29, 2008	Sheet	4 of 14

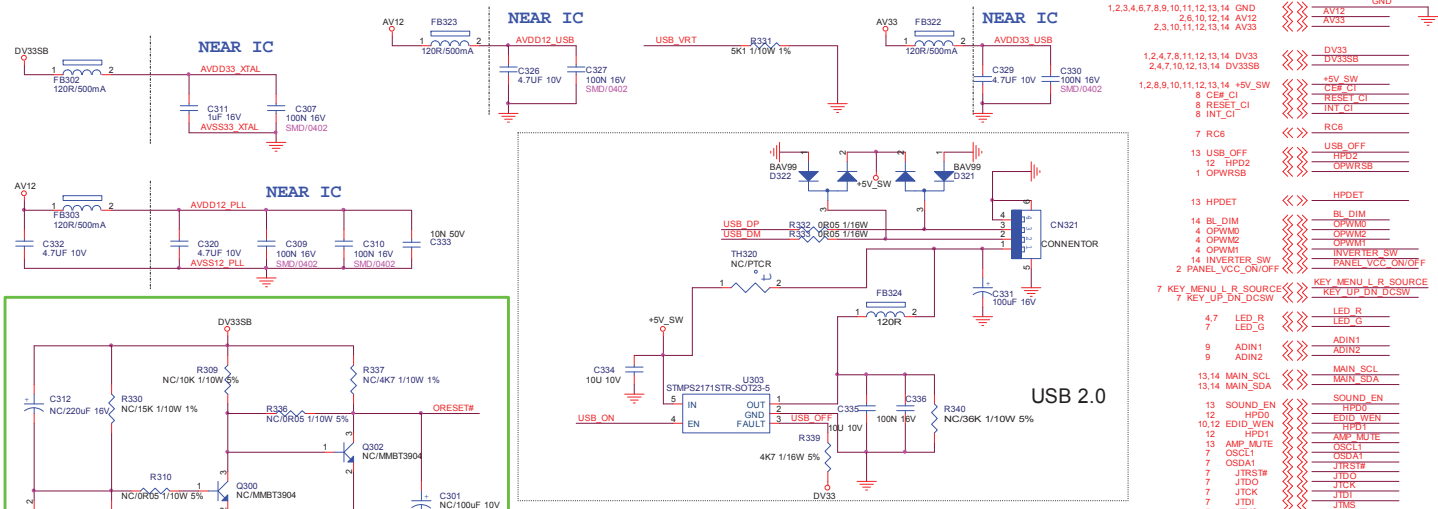
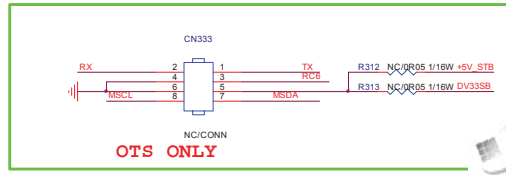
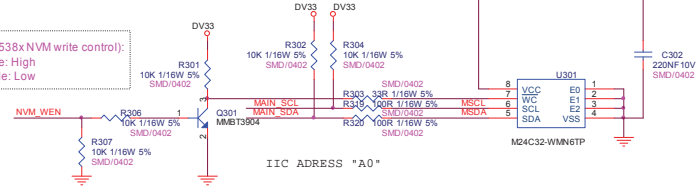


Strapping	R318	R325
Support CI	NC	4.7K
No Support CI	4.7K	NC



Parts	Brand	Philips	Others
R322		Yes	NC
D323		Yes	NC
CN332		Yes	NC

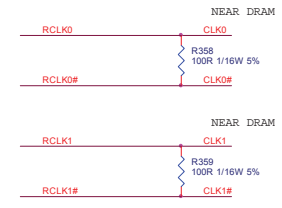
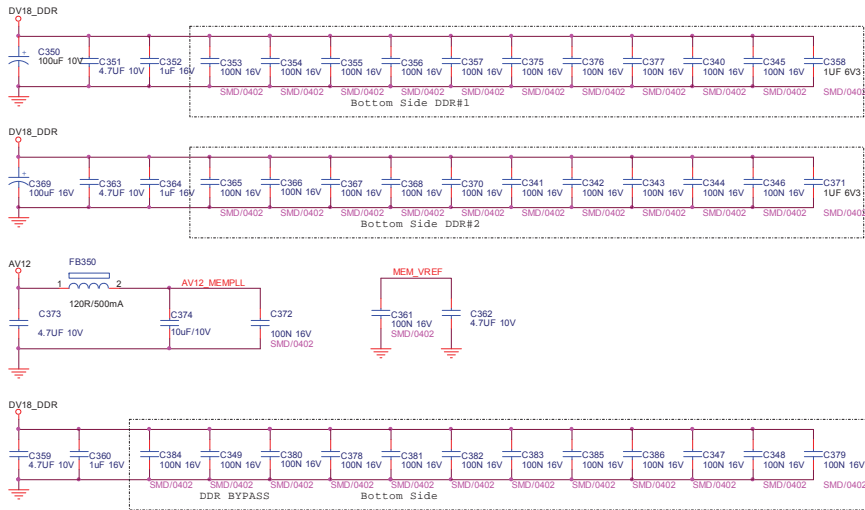
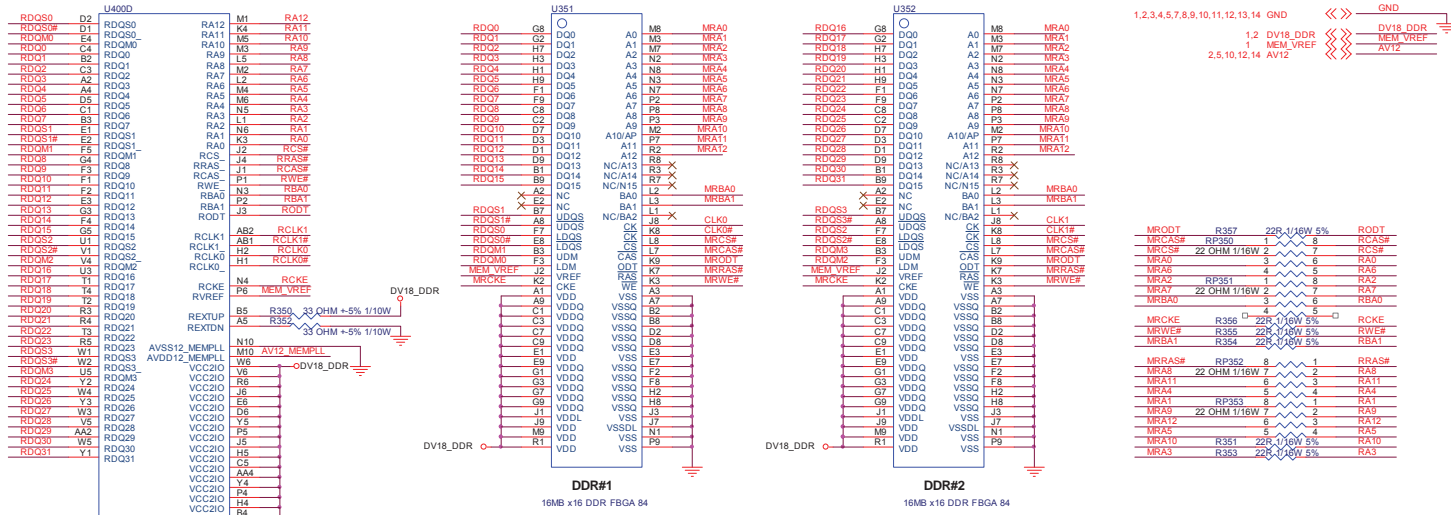
NVM\_WEN(538xNVM write control):  
write\_enable: High  
write\_disable: Low



- 1,2,3,4,6,7,8,9,10,11,12,13,14 GND
- 2,6,10,12,14 AV12
- 2,3,10,11,12,13,14 AV33
- 1,2,4,7,8,11,12,13,14 DV33
- 2,4,7,10,12,13,14 DV33SB
- 1,2,8,9,10,11,12,13,14 +5V\_SW
- 8 CEB\_CI
- 8 RESET\_CI
- 8 INT\_CI
- 7 RC6
- 13 USB\_OFF
- 12 HPD2
- 1 OPWRSB
- 13 HPDET
- 4 BL\_DIM
- 4 OPWM2
- 4 OPWM1
- 4 OPWM0
- 2 INVERTER\_SW
- 2 PANEL\_VCC\_ON/CF
- 7 KEY\_MENU\_L\_R\_SOURCE
- 7 KEY\_UP\_DN\_DCSW
- 4,7 LED\_R
- 4,7 LED\_G
- 9 ADIN1
- 9 ADIN2
- 13,14 MAIN\_SCL
- 13,14 MAIN\_SDA
- 13 SOUND\_EN
- 12 HPD0
- 10,12 EDID\_WEN
- 12 HPD1
- 13 AMP\_MUTE
- 7 OSC1
- 7 OSC2
- 7 JTRSTW
- 7 JTRSTB
- 7 JTD0
- 7 JTD1
- 7 JTD2
- 7 JTD3
- 7 JTD4
- 7 JTD5
- 7 OPCTRL0
- 7 OPCTRL1
- 14 OPCTRL3
- 4,7 OPCTRL4
- 4 OPCTRL5
- 7,10 U0TX
- 7,10 U0RX
- 7 RC6
- 13 MT8292\_MUTE
- 13 MT8292\_RESET
- 1,2,10,13 +5V\_STB
- 7 TX
- 7 RX
- 2,4,7,10,12,13,14 DV33SB
- 7 GPIO\_14
- 7 GPIO\_15
- 1,7 GPIO\_16
- 3 Light\_Sensor
- 3 RF\_AGC\_5362
- 1,2,10,13 +5V\_STB
- 3,8 HP\_SC\_MUTE

The item of this page start from "300"

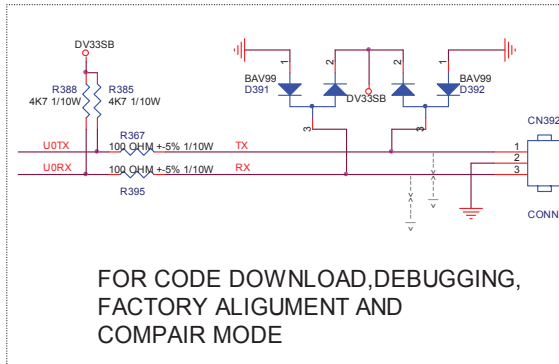
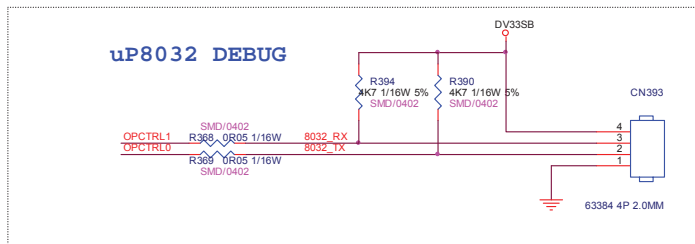
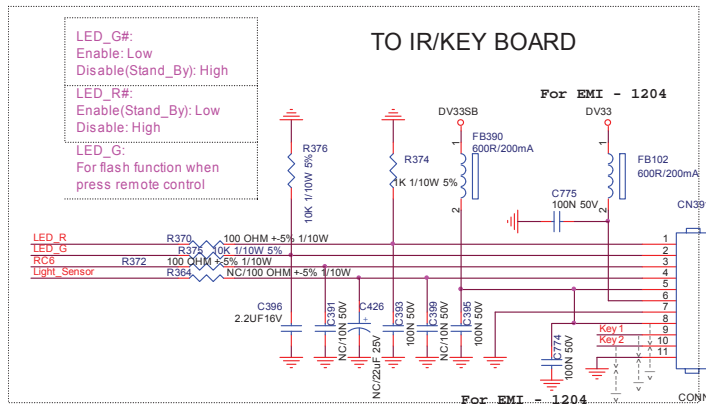
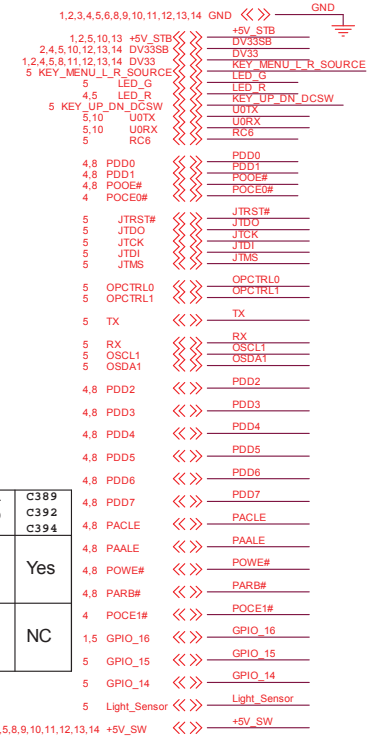
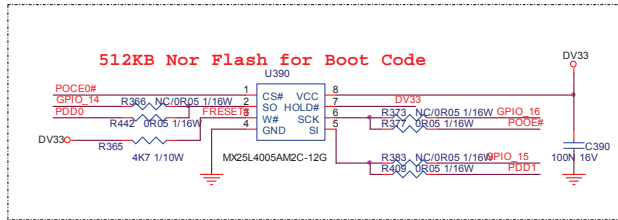
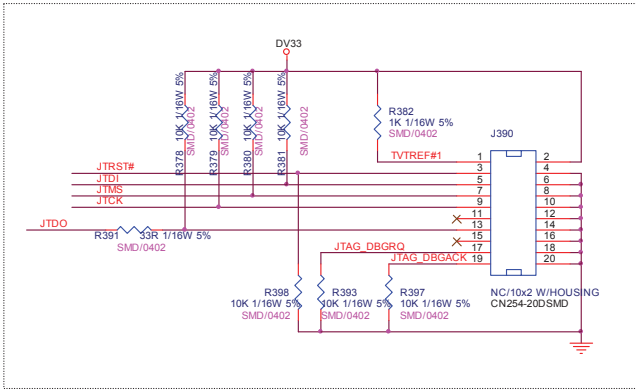
TPV (Top Victory Electronics Co., Ltd.)	GEM MODEL	Size	Custom
近局広範囲 G3431-A-X-081016	TPV MODEL	Rev	1
Key Component 05_MTS381 PERIPHERAL	PCB NAME	715G3431	修書
Date Monday, December 29, 2008	Sheet	5 of 14	



The item of this page start from "340"

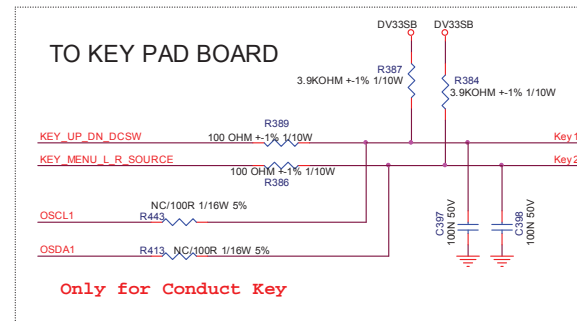
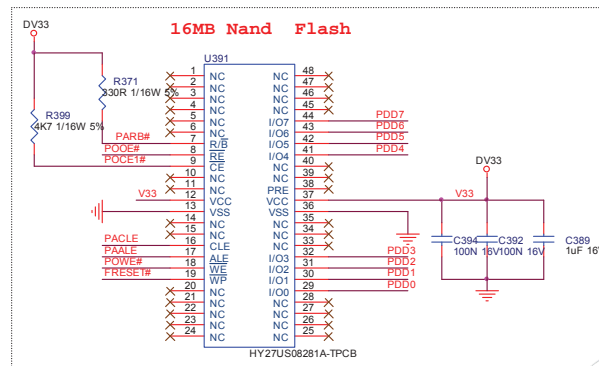
TPV (Top Victory Electronics Co., Ltd.)	OEM MODEL	Size	Custom
威爾瓦爾電 G3431-A-X-X-081016	TPV MODEL	Rev	1
Key Component 06 DDR2 MEMORY	PCB NAME 715G3431	Scale	
Date Monday, December 29, 2008	Sheet 6 of 14		





Model	U390	U391	U392	R371 R399	C389 C394
Philips	Yes	Yes	NC	Yes	Yes
Others	NC	NC	Yes	NC	NC

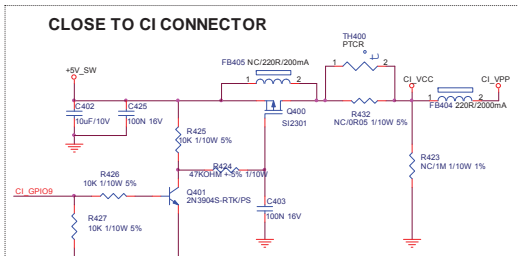
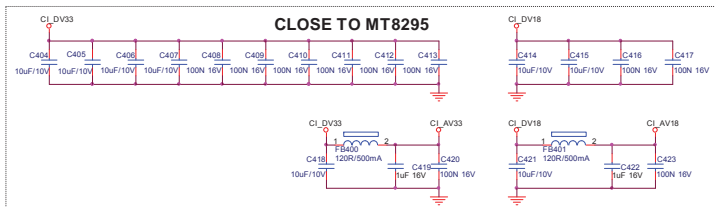
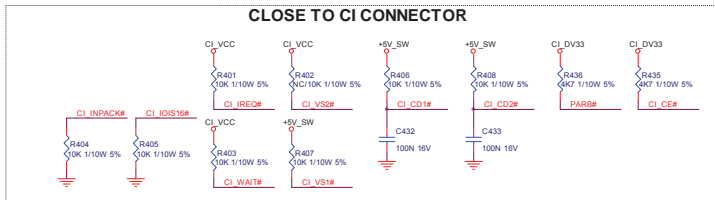
NAND Flash Type	Model
32MB	PnS Model
16MB 56T 1133945	Click Model



The item of this page start from "390"

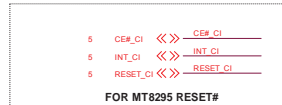
TPV (Top Victory Electronics Co., Ltd.)	OEM MODEL		Size	Custom
嘉善瓜瓞有限公司	G3431-A-X-081016	TPV MODEL	Rev	1
Key Component	07_FLASH/JTAG/UART/IR	PCB NAME	715G3431	修
Date	Monday, December 29, 2008	Sheet	7 of 14	



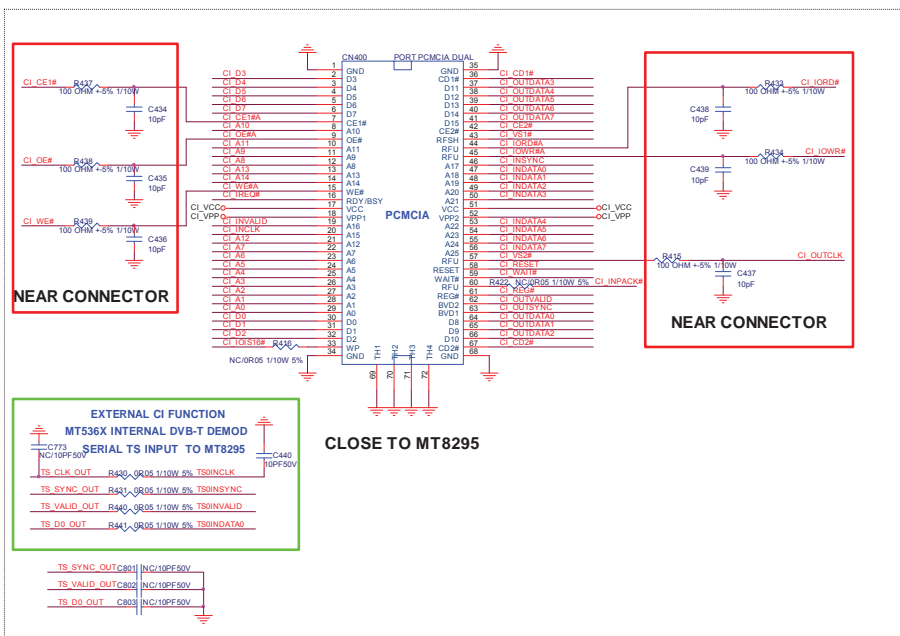
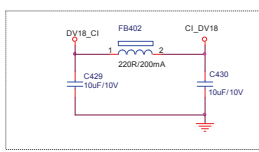
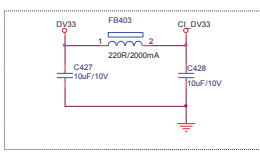
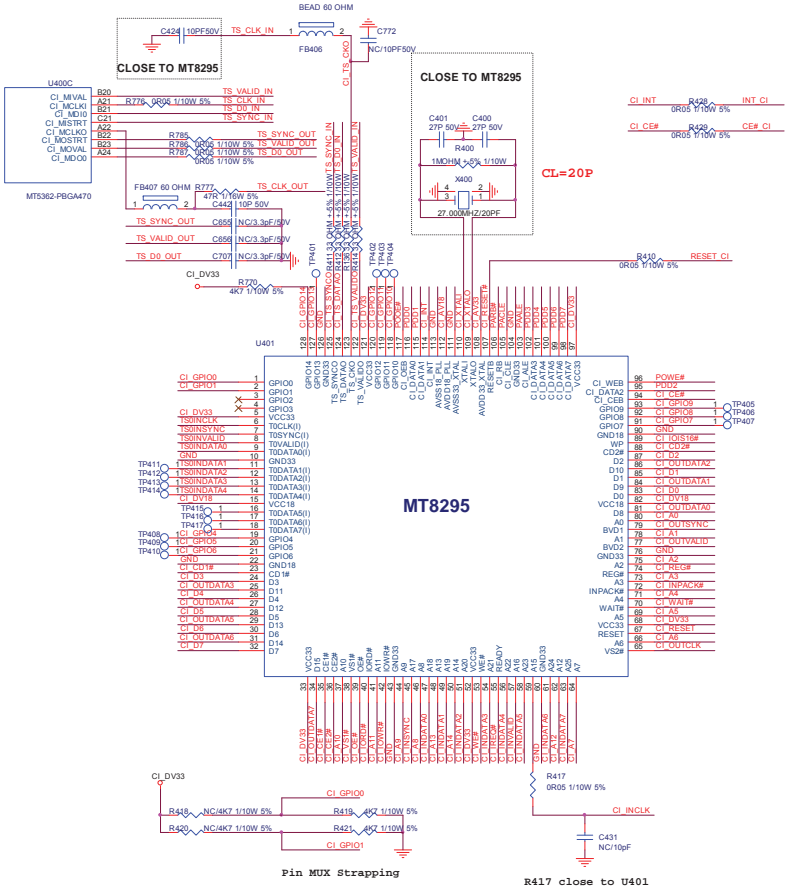


ADJUST CI\_VCC to +5V

- 1,2,3,4,5,6,7,9,10,11,12,13,14 GND <<< GND
- 1,2,5,8,10,11,12,13,14 +5V\_SW <<< +5V\_SW
- 1,2,4,5,7,11,12,13,14 DV33 <<< DV33
- 2 DV18\_CI <<< DV18\_CI

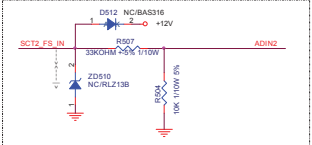
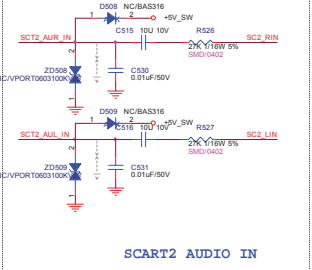
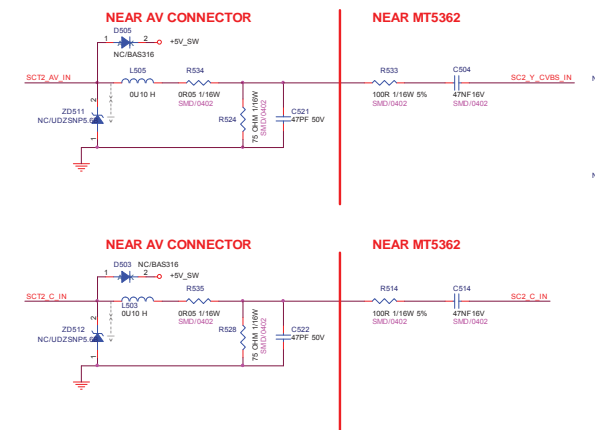
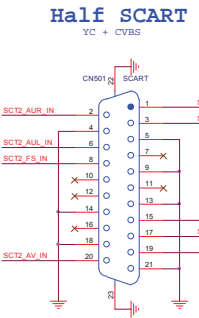
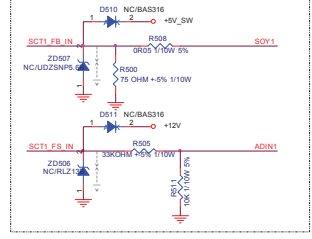
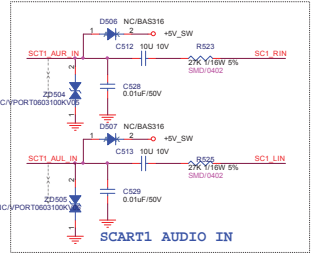
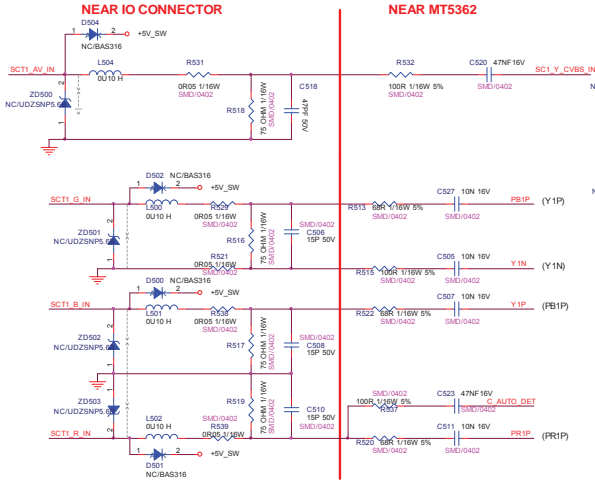
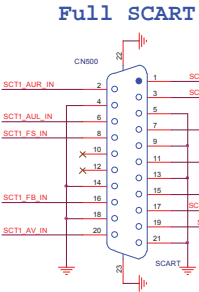
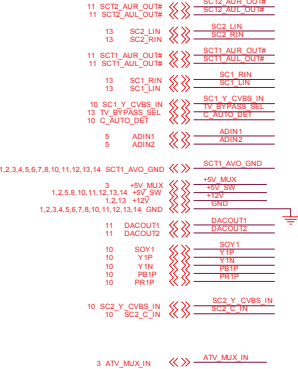
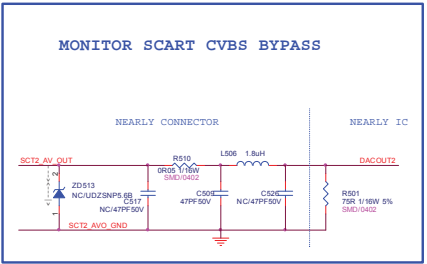
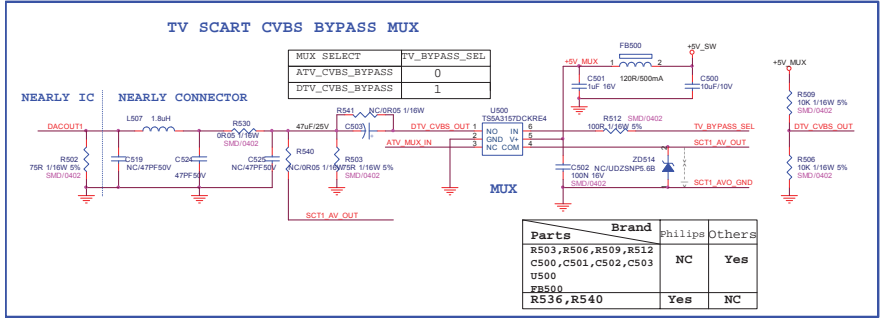


- 4,7 PDD0 <<< PDD0
- 4,7 PDD1 <<< PDD1
- 4,7 PDD2 <<< PDD2
- 4,7 PDD3 <<< PDD3
- 4,7 PDD4 <<< PDD4
- 4,7 PDD5 <<< PDD5
- 4,7 PDD6 <<< PDD6
- 4,7 PDD7 <<< PDD7
- 4,7 PDD8 <<< PDD8
- 4,7 PDD9 <<< PDD9
- 4,7 PDD10 <<< PDD10
- 4,7 PDD11 <<< PDD11
- 4,7 PDD12 <<< PDD12
- 4,7 PDD13 <<< PDD13
- 4,7 PDD14 <<< PDD14
- 10 CI\_GPI014 <<< CI\_GPI014
- 10 CI\_GPI013 <<< CI\_GPI013



The item of this page start from "400"

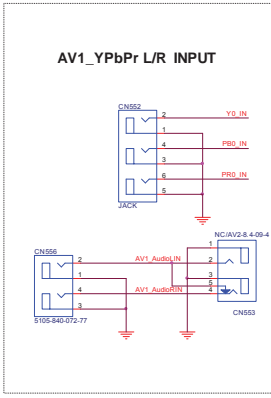
TPV (Top Victory Electronics Co., Ltd.)	OEM MODEL	Site	Custom
新成電	G3431-A-X-081016	TPV MODEL	Rev 1
Key Component	07_FLASH/JTAG/UART/IR	PCB NAME	715G3431
Date	Monday, December 29, 2008	Sheet	B of 14



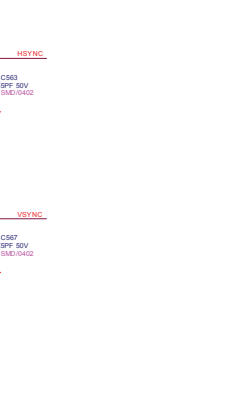
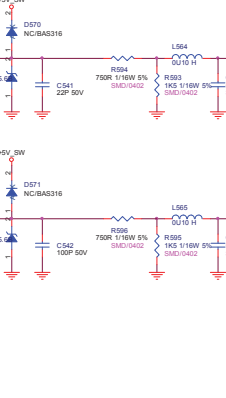
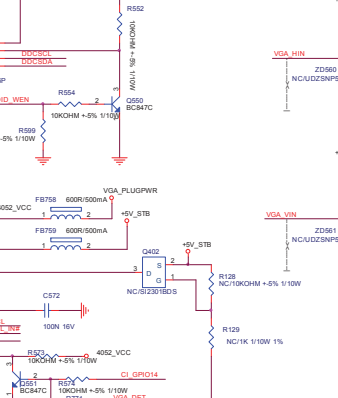
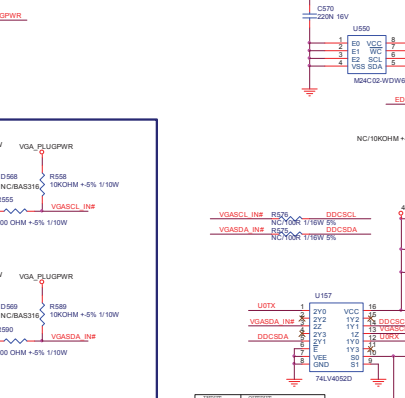
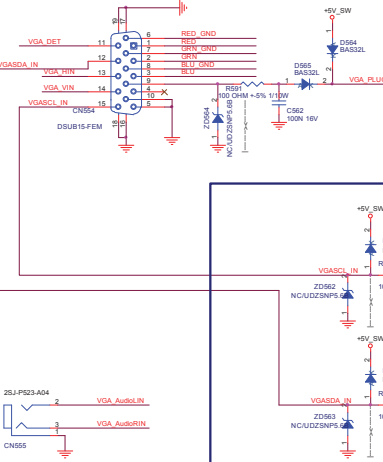
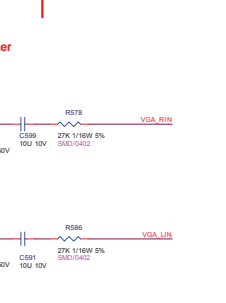
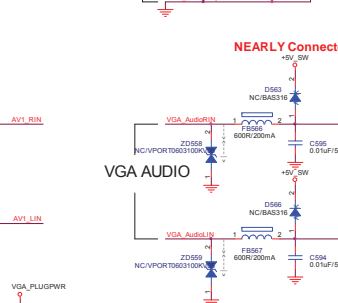
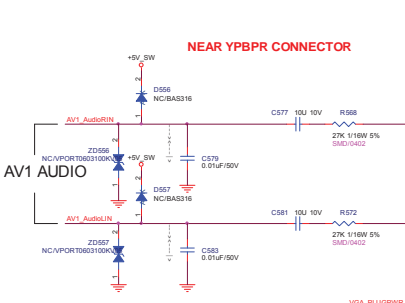
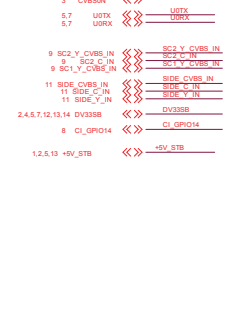
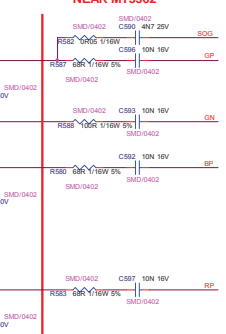
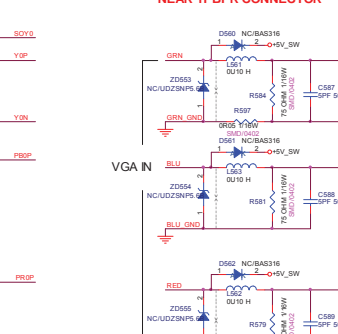
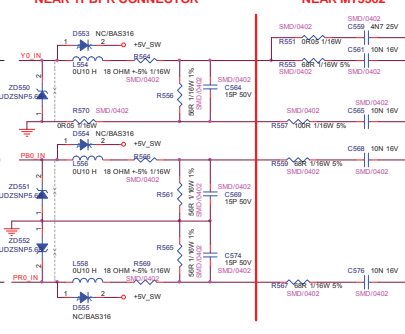
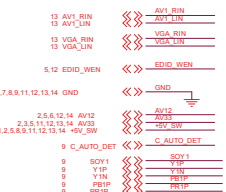
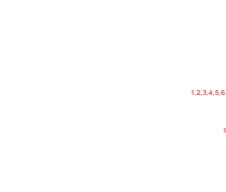
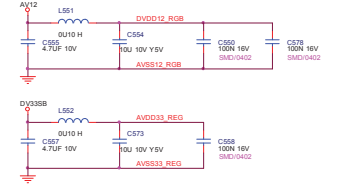
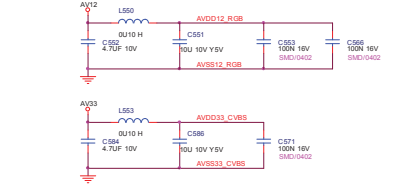
The item of this page start from "500"

T.P.V. (Top Victory Electronics Co., Ltd.)	OEM MODEL	Size	Custom
产品结构图 G3431-A-XX-081016	TPV MODEL	Rev	1
零件清单 07_FLASH/UART/IR	PCB NAME	71503431	
Date: Monday, December 29, 2008	Sheet	9 of 14	

U4002	AB04	CVBS0P
CVBS0P	AB04	SIDE CVBS IN
CVBS0P	AB05	RGB0P
CVBS0P	AB06	SIDE C IN
CVBS0P	AB07	RGB0P
CVBS0P	AB08	AVDD12 CVBS
AVDD12 CVBS	AB09	AVDD12 CVBS
AVDD12 CVBS	AB10	AVDD12 CVBS
AVDD12 CVBS	AB11	AVDD12 CVBS
AVDD12 CVBS	AB12	AVDD12 CVBS
AVDD12 CVBS	AB13	AVDD12 CVBS
AVDD12 CVBS	AB14	AVDD12 CVBS
AVDD12 CVBS	AB15	AVDD12 CVBS
AVDD12 CVBS	AB16	AVDD12 CVBS
AVDD12 CVBS	AB17	AVDD12 CVBS
AVDD12 CVBS	AB18	AVDD12 CVBS
AVDD12 CVBS	AB19	AVDD12 CVBS
AVDD12 CVBS	AB20	AVDD12 CVBS
AVDD12 CVBS	AB21	AVDD12 CVBS
AVDD12 CVBS	AB22	AVDD12 CVBS
AVDD12 CVBS	AB23	AVDD12 CVBS
AVDD12 CVBS	AB24	AVDD12 CVBS
AVDD12 CVBS	AB25	AVDD12 CVBS
AVDD12 CVBS	AB26	AVDD12 CVBS
AVDD12 CVBS	AB27	AVDD12 CVBS
AVDD12 CVBS	AB28	AVDD12 CVBS
AVDD12 CVBS	AB29	AVDD12 CVBS
AVDD12 CVBS	AB30	AVDD12 CVBS
AVDD12 CVBS	AB31	AVDD12 CVBS
AVDD12 CVBS	AB32	AVDD12 CVBS
AVDD12 CVBS	AB33	AVDD12 CVBS
AVDD12 CVBS	AB34	AVDD12 CVBS
AVDD12 CVBS	AB35	AVDD12 CVBS
AVDD12 CVBS	AB36	AVDD12 CVBS
AVDD12 CVBS	AB37	AVDD12 CVBS
AVDD12 CVBS	AB38	AVDD12 CVBS
AVDD12 CVBS	AB39	AVDD12 CVBS
AVDD12 CVBS	AB40	AVDD12 CVBS
AVDD12 CVBS	AB41	AVDD12 CVBS
AVDD12 CVBS	AB42	AVDD12 CVBS
AVDD12 CVBS	AB43	AVDD12 CVBS
AVDD12 CVBS	AB44	AVDD12 CVBS
AVDD12 CVBS	AB45	AVDD12 CVBS
AVDD12 CVBS	AB46	AVDD12 CVBS
AVDD12 CVBS	AB47	AVDD12 CVBS
AVDD12 CVBS	AB48	AVDD12 CVBS
AVDD12 CVBS	AB49	AVDD12 CVBS
AVDD12 CVBS	AB50	AVDD12 CVBS
AVDD12 CVBS	AB51	AVDD12 CVBS
AVDD12 CVBS	AB52	AVDD12 CVBS
AVDD12 CVBS	AB53	AVDD12 CVBS
AVDD12 CVBS	AB54	AVDD12 CVBS
AVDD12 CVBS	AB55	AVDD12 CVBS
AVDD12 CVBS	AB56	AVDD12 CVBS
AVDD12 CVBS	AB57	AVDD12 CVBS
AVDD12 CVBS	AB58	AVDD12 CVBS
AVDD12 CVBS	AB59	AVDD12 CVBS
AVDD12 CVBS	AB60	AVDD12 CVBS
AVDD12 CVBS	AB61	AVDD12 CVBS
AVDD12 CVBS	AB62	AVDD12 CVBS
AVDD12 CVBS	AB63	AVDD12 CVBS
AVDD12 CVBS	AB64	AVDD12 CVBS
AVDD12 CVBS	AB65	AVDD12 CVBS
AVDD12 CVBS	AB66	AVDD12 CVBS
AVDD12 CVBS	AB67	AVDD12 CVBS
AVDD12 CVBS	AB68	AVDD12 CVBS
AVDD12 CVBS	AB69	AVDD12 CVBS
AVDD12 CVBS	AB70	AVDD12 CVBS
AVDD12 CVBS	AB71	AVDD12 CVBS
AVDD12 CVBS	AB72	AVDD12 CVBS
AVDD12 CVBS	AB73	AVDD12 CVBS
AVDD12 CVBS	AB74	AVDD12 CVBS
AVDD12 CVBS	AB75	AVDD12 CVBS
AVDD12 CVBS	AB76	AVDD12 CVBS
AVDD12 CVBS	AB77	AVDD12 CVBS
AVDD12 CVBS	AB78	AVDD12 CVBS
AVDD12 CVBS	AB79	AVDD12 CVBS
AVDD12 CVBS	AB80	AVDD12 CVBS
AVDD12 CVBS	AB81	AVDD12 CVBS
AVDD12 CVBS	AB82	AVDD12 CVBS
AVDD12 CVBS	AB83	AVDD12 CVBS
AVDD12 CVBS	AB84	AVDD12 CVBS
AVDD12 CVBS	AB85	AVDD12 CVBS
AVDD12 CVBS	AB86	AVDD12 CVBS
AVDD12 CVBS	AB87	AVDD12 CVBS
AVDD12 CVBS	AB88	AVDD12 CVBS
AVDD12 CVBS	AB89	AVDD12 CVBS
AVDD12 CVBS	AB90	AVDD12 CVBS
AVDD12 CVBS	AB91	AVDD12 CVBS
AVDD12 CVBS	AB92	AVDD12 CVBS
AVDD12 CVBS	AB93	AVDD12 CVBS
AVDD12 CVBS	AB94	AVDD12 CVBS
AVDD12 CVBS	AB95	AVDD12 CVBS
AVDD12 CVBS	AB96	AVDD12 CVBS
AVDD12 CVBS	AB97	AVDD12 CVBS
AVDD12 CVBS	AB98	AVDD12 CVBS
AVDD12 CVBS	AB99	AVDD12 CVBS
AVDD12 CVBS	AB00	AVDD12 CVBS

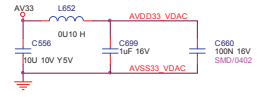
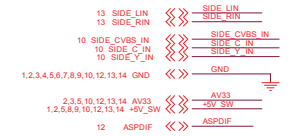
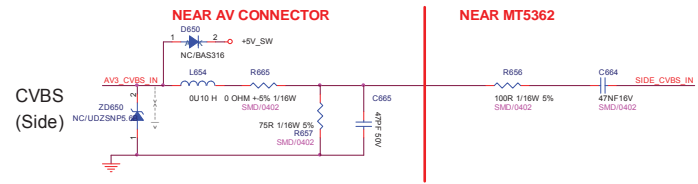
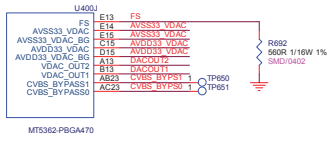


AV1 (Component1)

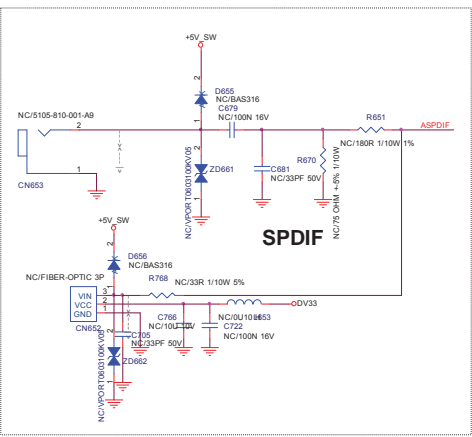
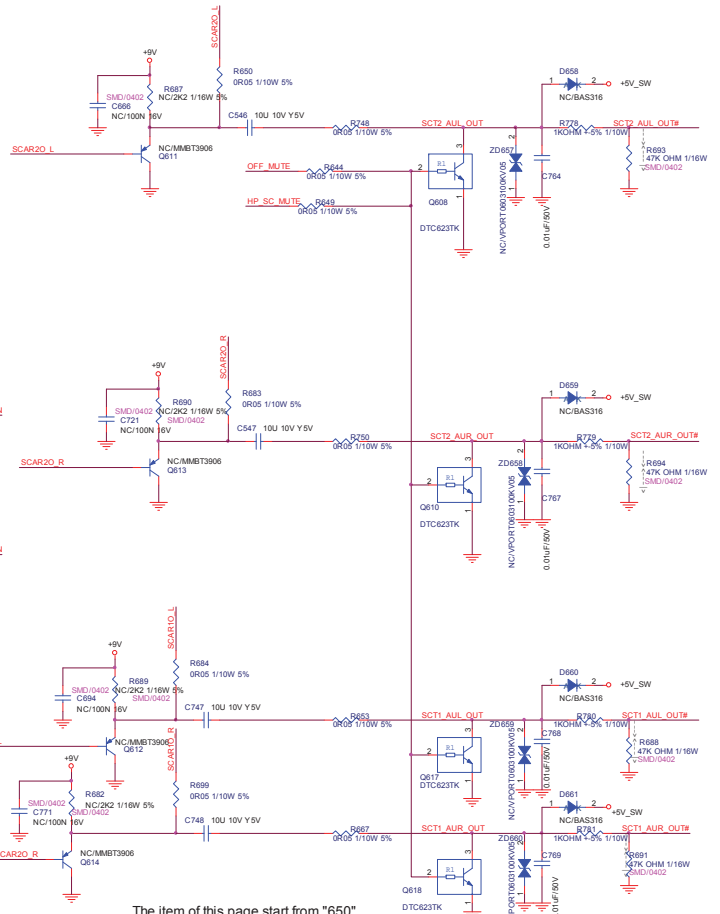
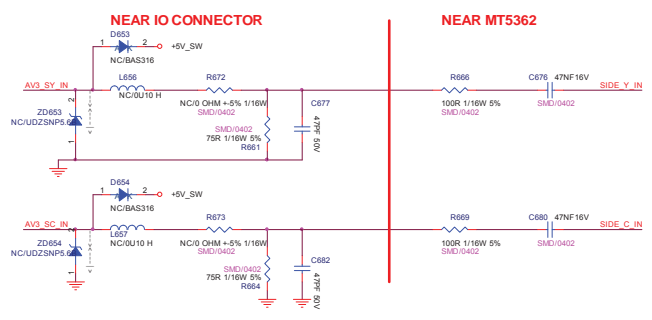
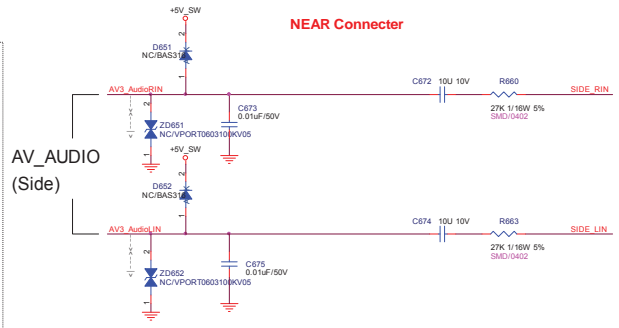
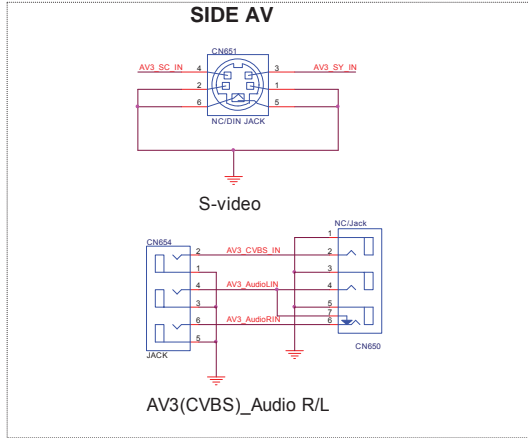
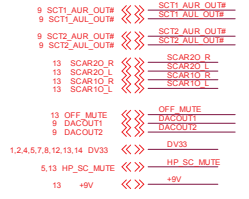


1	U157	74LV4052
2	U158	74LV4052
3	U159	74LV4052
4	U160	74LV4052
5	U161	74LV4052
6	U162	74LV4052
7	U163	74LV4052
8	U164	74LV4052
9	U165	74LV4052
10	U166	74LV4052
11	U167	74LV4052
12	U168	74LV4052
13	U169	74LV4052
14	U170	74LV4052
15	U171	74LV4052
16	U172	74LV4052
17	U173	74LV4052
18	U174	74LV4052
19	U175	74LV4052
20	U176	74LV4052
21	U177	74LV4052
22	U178	74LV4052
23	U179	74LV4052
24	U180	74LV4052
25	U181	74LV4052
26	U182	74LV4052
27	U183	74LV4052
28	U184	74LV4052
29	U185	74LV4052
30	U186	74LV4052
31	U187	74LV4052
32	U188	74LV4052
33	U189	74LV4052
34	U190	74LV4052
35	U191	74LV4052
36	U192	74LV4052
37	U193	74LV4052
38	U194	74LV4052
39	U195	74LV4052
40	U196	74LV4052
41	U197	74LV4052
42	U198	74LV4052
43	U199	74LV4052
44	U200	74LV4052

The item of this page start from "550"			
TPV (Top Victory Electronics Co., Ltd.)	DEM MODEL	Size	Custom
10. AV1AV2 YPPr/Audio Input	TPV MODEL	Rev	1
Key Component	PCB NAME	71503431	
Date	Tuesday, June 16, 2009	Sheet	10 of 14

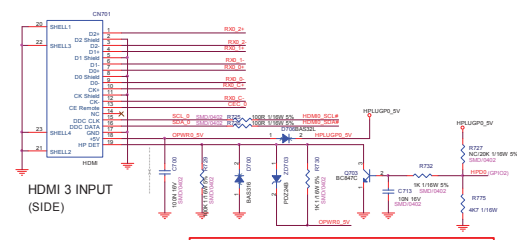
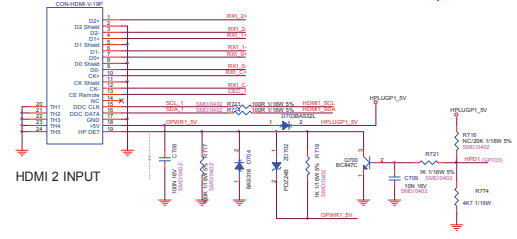
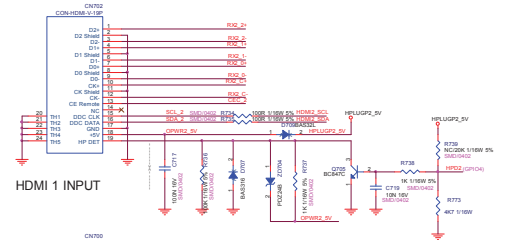
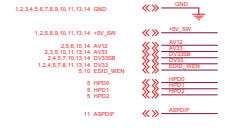
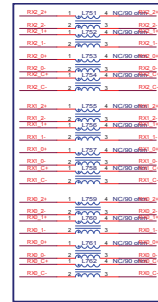
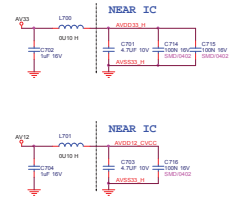
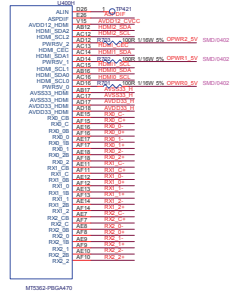


Parts	Brand	Philips	Others
R682, R687, R689, R690 C666, C694, C721, C771 Q611, Q612, Q613, Q614		Yes	NC
R650, R683, R684, R699		NC	Yes

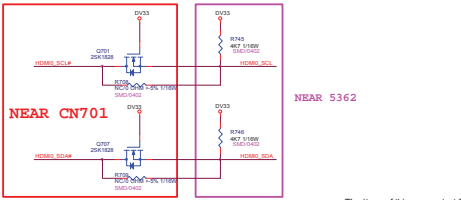
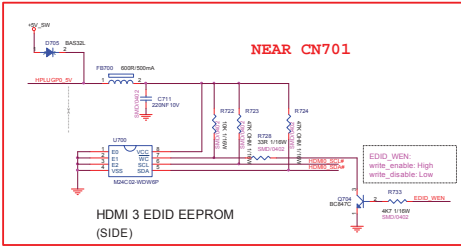
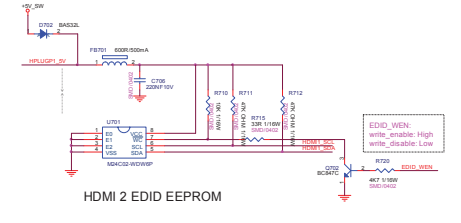
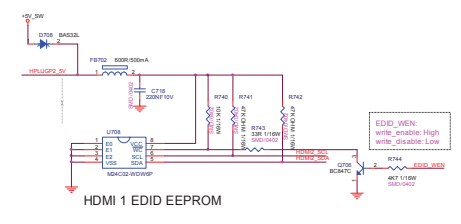


The item of this page start from "650"

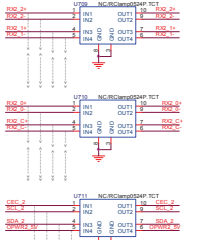
T P V (Top Victory Electronics Co., Ltd.)	OEM MODEL	Size	Custom
规格及图号: G3431-A-X-X681016	TPV MODEL	Rev	1
Key Component: 11. SideAV/SPDIF OUT	PCB NAME: 715G3431	张数	1
Date: Monday, December 29, 2008	Sheet: 11 of 14		



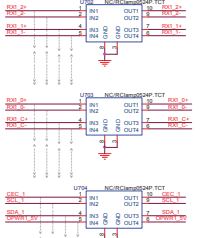
ITEM	D	REMARK	ITEM	D	REMARK	ITEM	D	REMARK
CN701	NC	YES	R732	NC	YES	R745	NC	YES
R725	NC	YES	R705	NC	YES	Q707	NC	YES
R726	NC	YES	R700	NC	YES	R746	NC	YES
R706	NC	YES	C711	NC	YES	R700	NC	YES
C700	NC	YES	L700	NC	YES	R701	NC	YES
R729	NC	YES	R722	NC	YES	R728	NC	YES
R700	NC	YES	R723	NC	YES			
R703	NC	YES	R724	NC	YES			
R730	NC	YES	Q704	NC	YES			
Q703	NC	YES	R733	NC	YES			
C713	NC	YES	Q701	NC	YES			



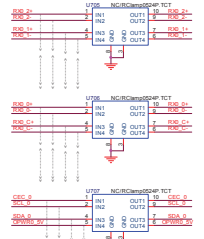
HDMI1 ESD PROTECTOR



HDMI2 ESD PROTECTOR

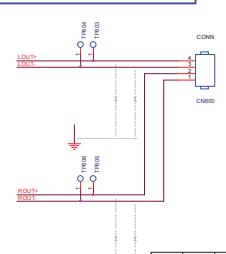
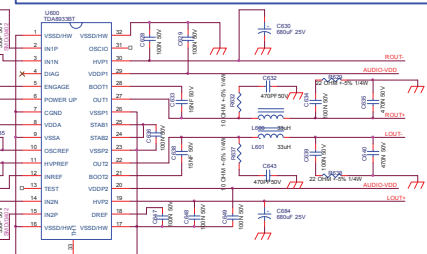
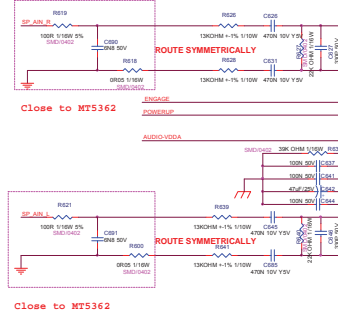
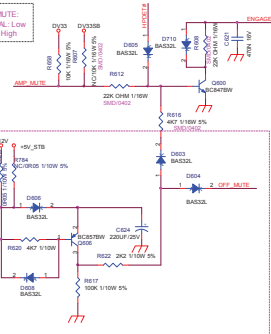
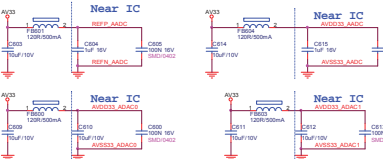
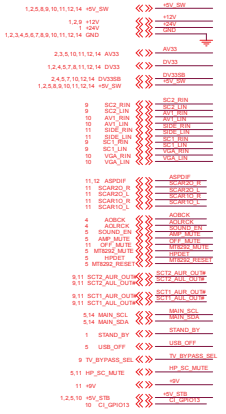
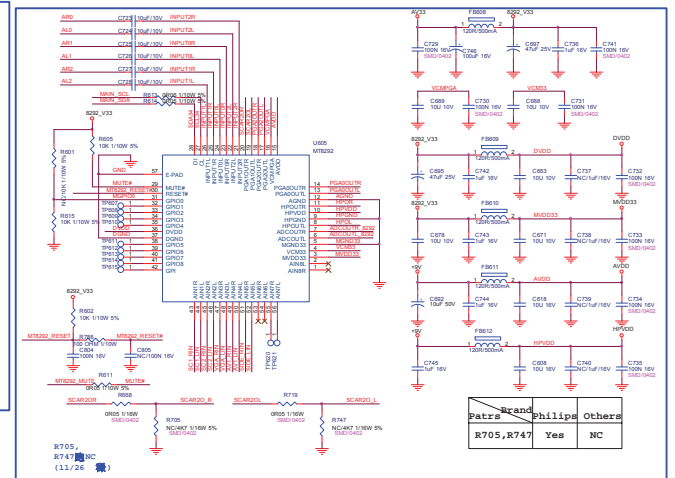
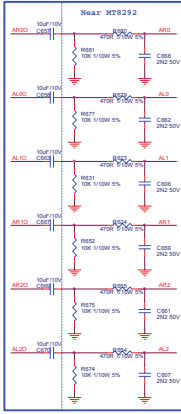
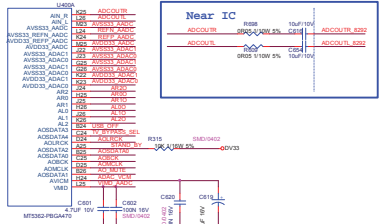


HDMI3 ESD PROTECTOR (SIDE)



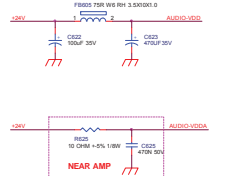
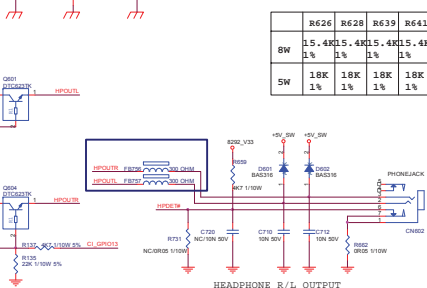
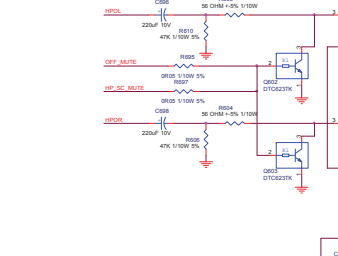
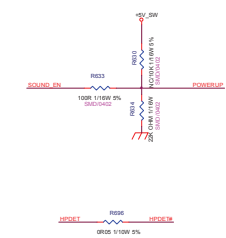
The item of this page start from \*700\*

REV.	DATE	DESCRIPTION	BY	CHK
1.0	2008.12.26	Initial Release	TPV	



	R626	R628	R639	R641
15W	4K15	4K15	4K15	4K15
8W	1K	1K	1K	1K
5W	18K	18K	18K	18K

	R626	R628	R639	R641
10W	1K	1K	1K	1K
5W	18K	18K	18K	18K

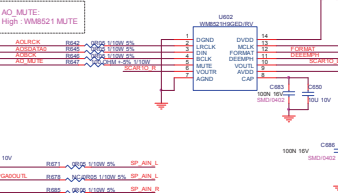
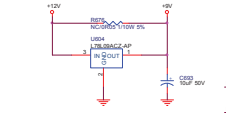


Model	R731
PnS	NC
Click	Yes

	U602	R676	U604	C693
WMS521HC	YES	NO	NO	NO
WMS521HS	NO	YES	YES	YES

Parts	Brand	Philips	Others
R636, R642, R645, R646, R647, R648			
C650, C651, C652, C686, C687	NC		Yes
F8606			
W602			

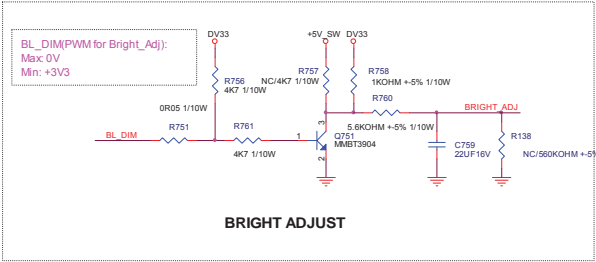
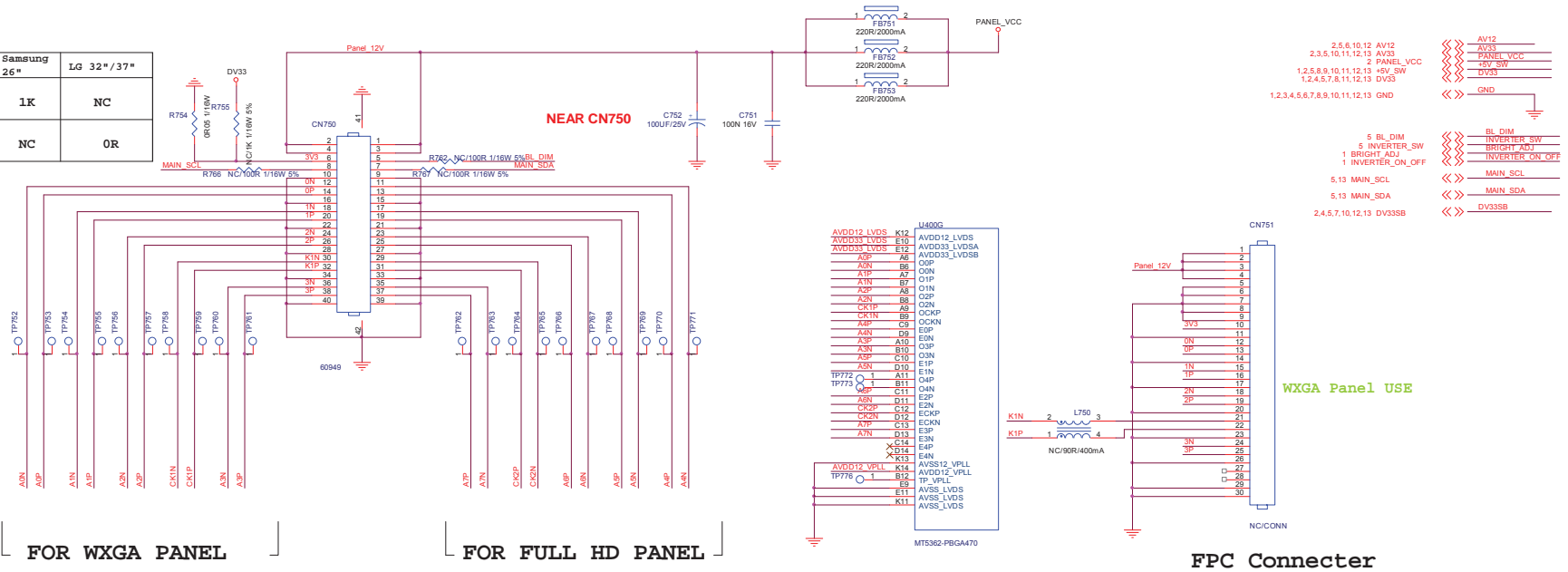
C683, R643 NC



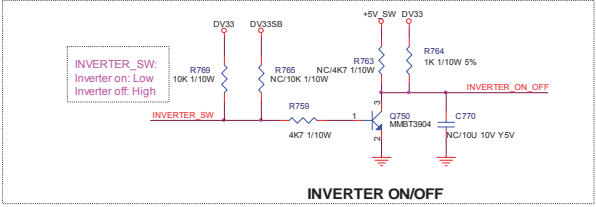
The item of this page start from "800"

TPV (Top Victory Electronics Co., Ltd.)	DEM MODEL	Size	Custom
TPV MODEL: TPV00000001	TPV MODEL: TPV00000001	Rev	1
TPV NAME: TPV00000001	TPV NAME: TPV00000001	Sheet	11 of 14
Date: Monday, December 23, 2008			

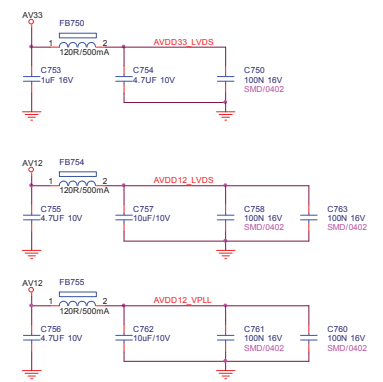
PANEL	Samsung 26"	LG 32"/37"
R755	1K	NC
R754	NC	0R



BL CONTROL	R760	R758	C759
PWM CONTROL	100R	4K7	N/C
DC CONTROL	5K6	1K	22U



INVERTER ON/OFF	R763	R764
3V3	N/C	1K
5V	4K7	N/C



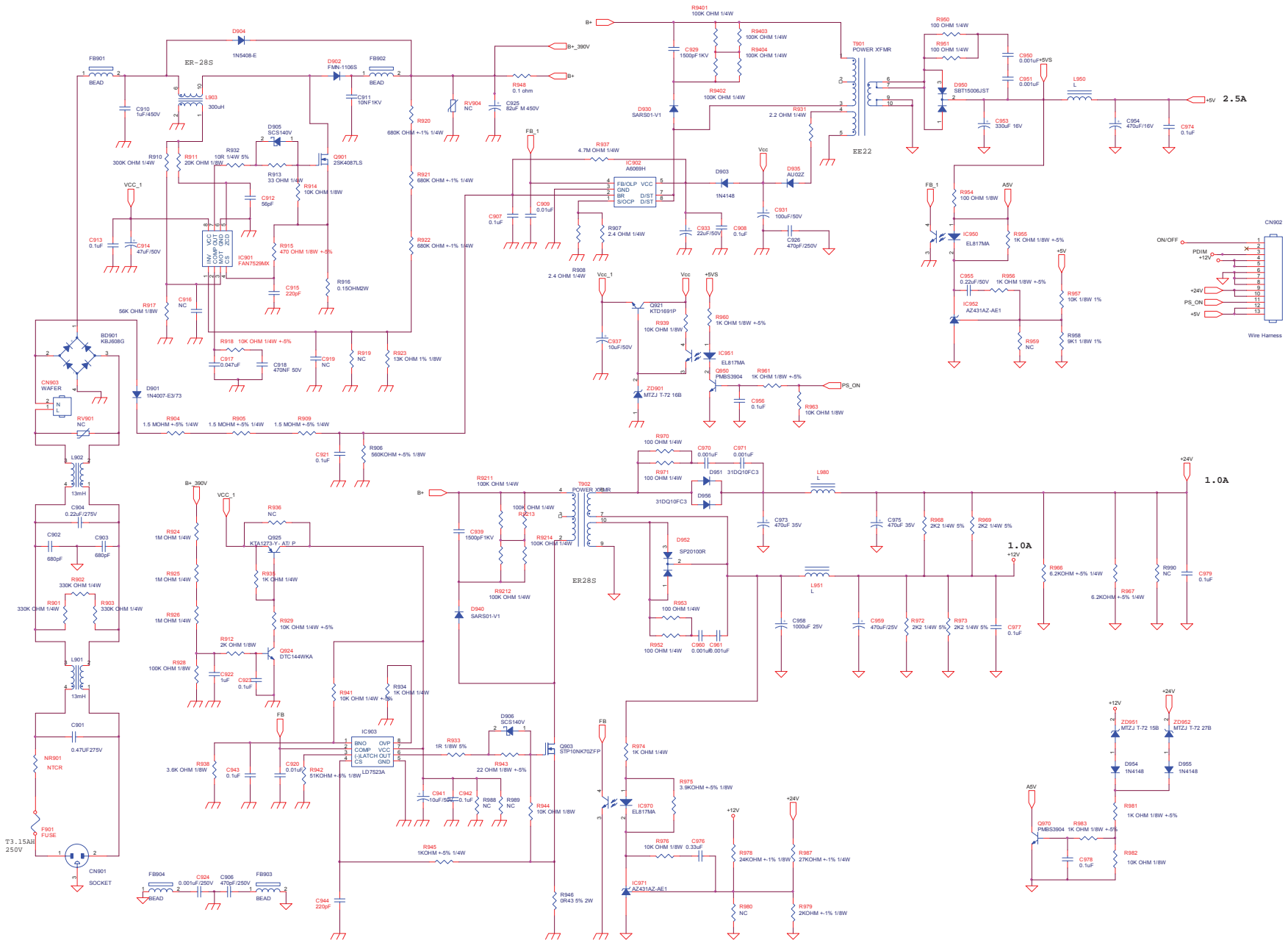
The item of this page start from "750"



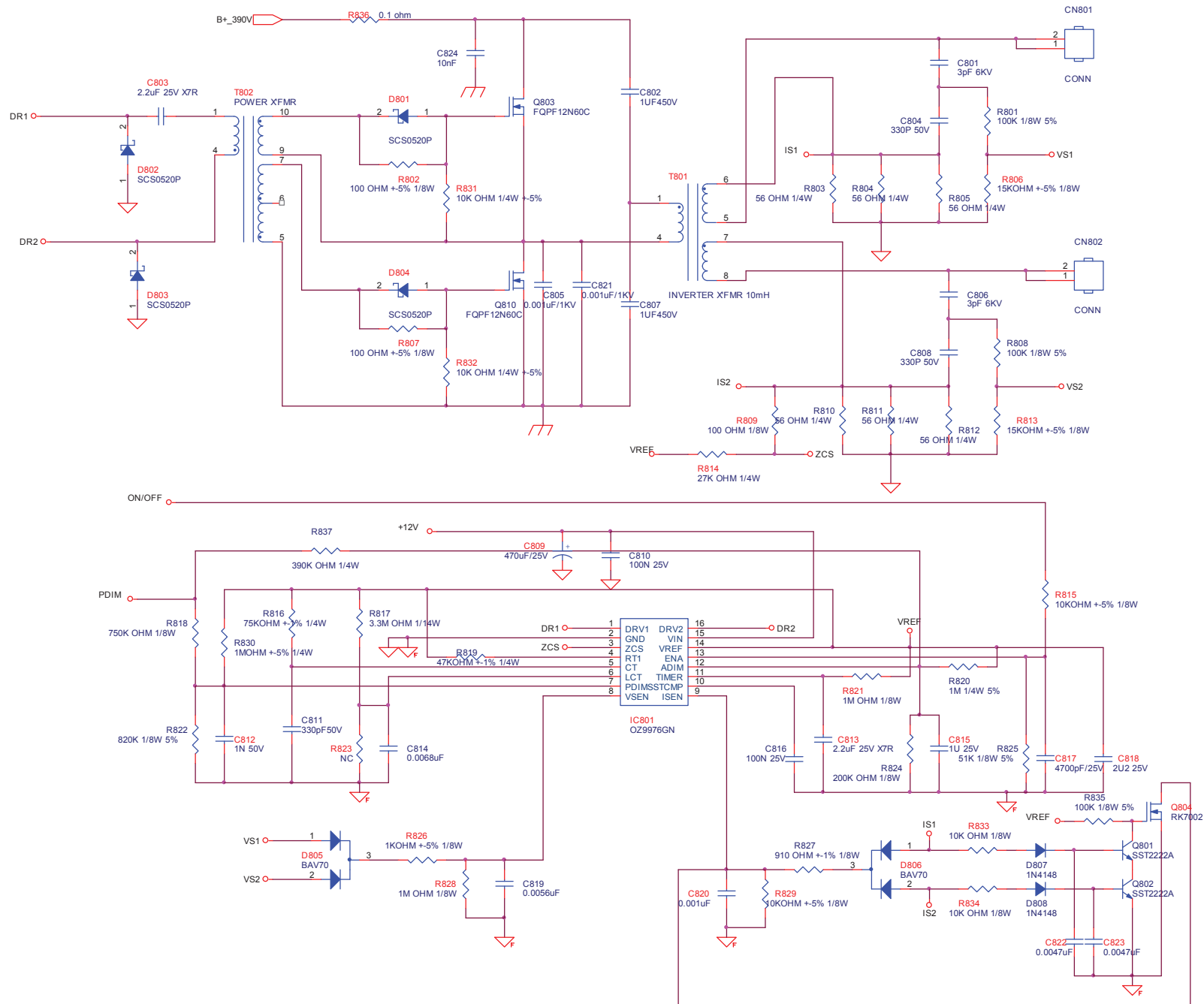
TPV (Top Victory Electronics Co., Ltd.)	OEM MODEL	Size	C
规格书链接 G3431-A-X-081016	TPV MODEL	Rev	1
Key Component 14. LVDS OUTPUT	PCB NAME 715G3431	份数	
Date Monday, December 29, 2008	Sheet 14 of 14		

# 9.2 Power Board

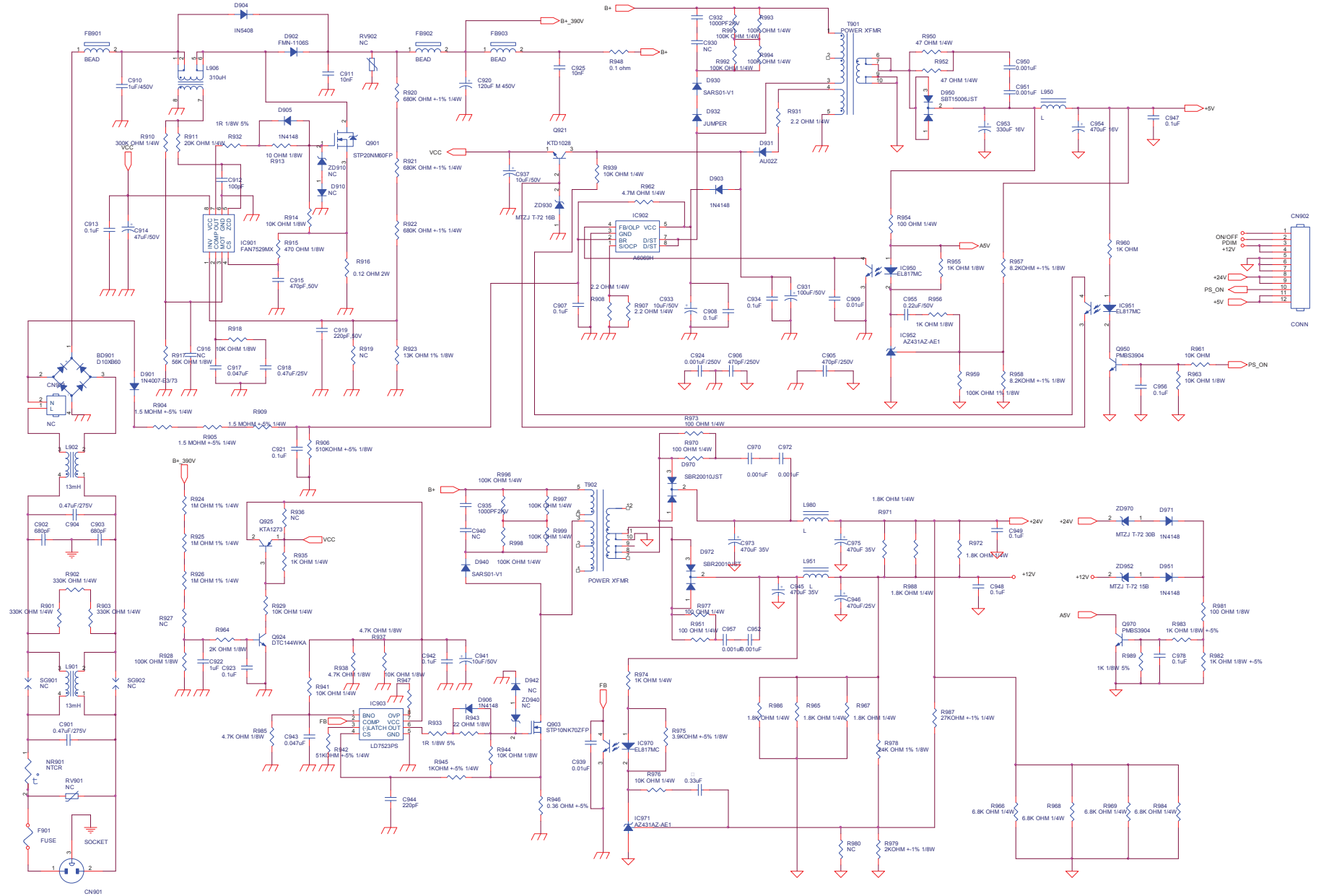
## L26WA91 715G3425P0100003S



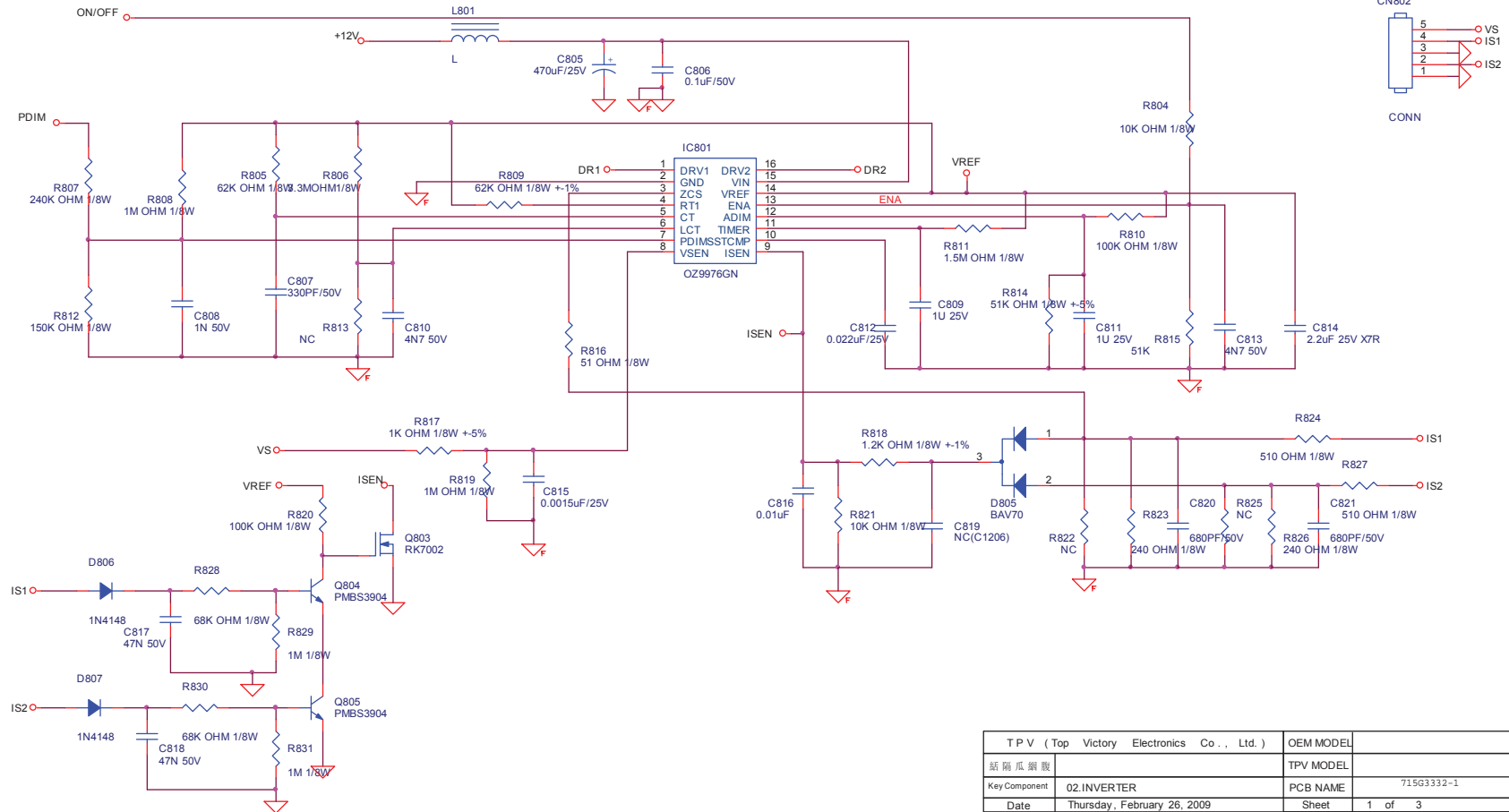
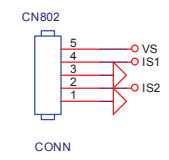
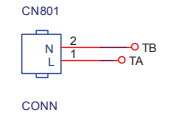
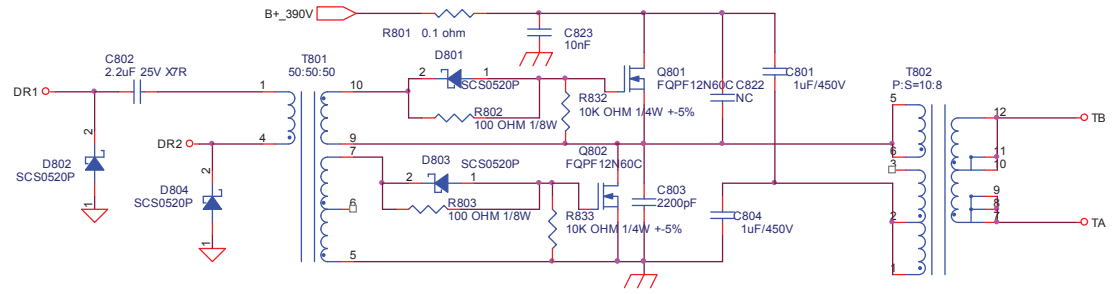




L32WA91 715G3332-1

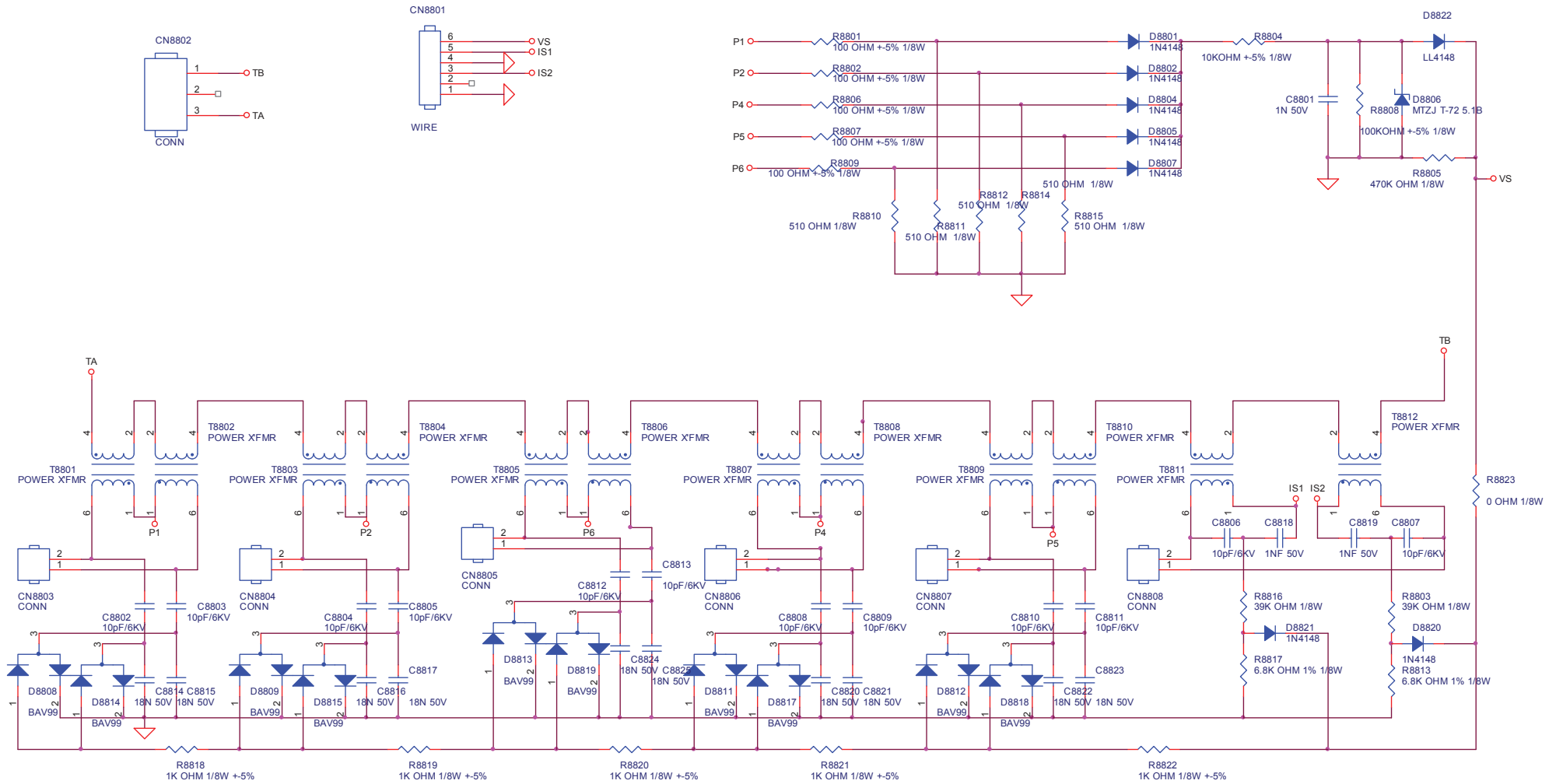


T.P.V. (Top Victory Electronics Co., Ltd.)	OEM MODEL	Size	Custom
规格书来源	TPV MODEL	Rev	A
Key Component: 03.POWER	PCB NAME: 715G3332-1	Rev	HTC MODEL
Date: Thursday, February 26, 2009	Sheet: 1 of 3		



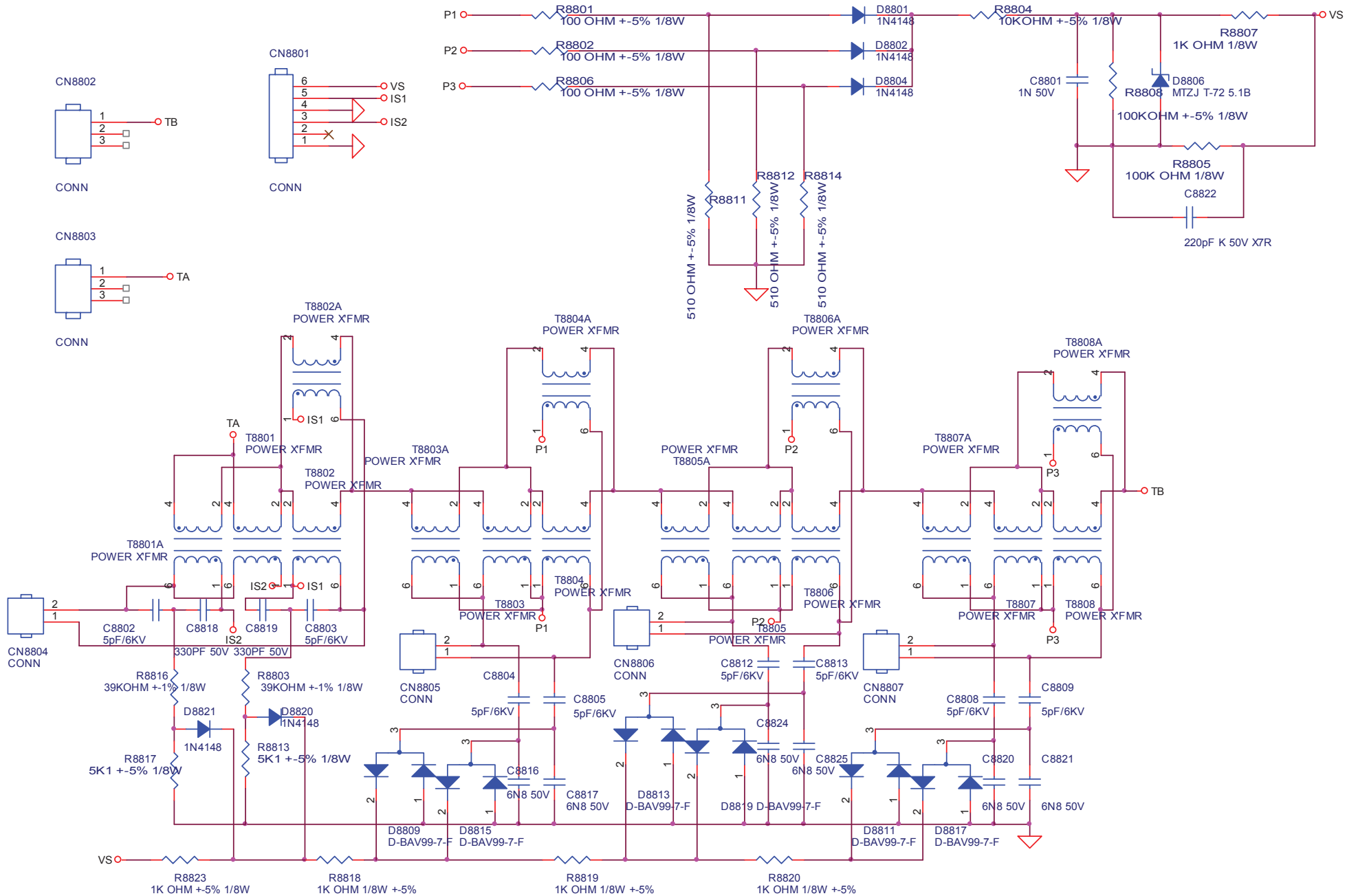
TPV (Top Victory Electronics Co., Ltd.)	OEM MODEL		Size	B
話筒瓜網膜	TPV MODEL		Rev	A
Key Component	02.INVERTER	715G3332-1	PCB NAME	移家
Date	Thursday, February 26, 2009	Sheet	1 of 3	HTC MODEL

# L32WA91 715G3333-1

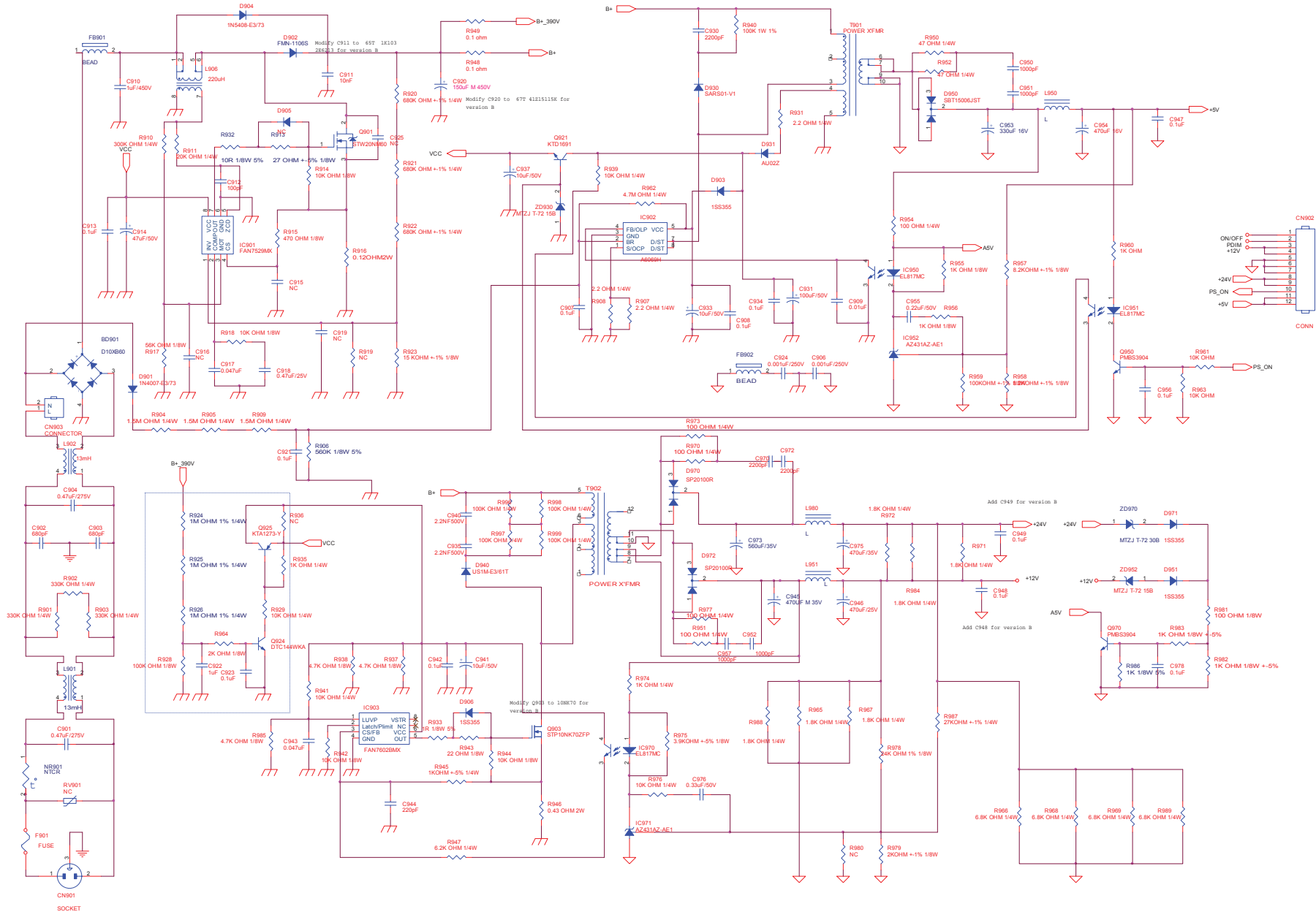


TPV (Top Victory Electronics Co., Ltd.)	OEM MODEL		Size	B
結構瓜網版	TPV MODEL		Rev	A
Key Component	02.INVERTER	PCB NAME	715G3333-1	修修 HTC MODEL
Date	Thursday, February 26, 2009	Sheet	1 of 2	

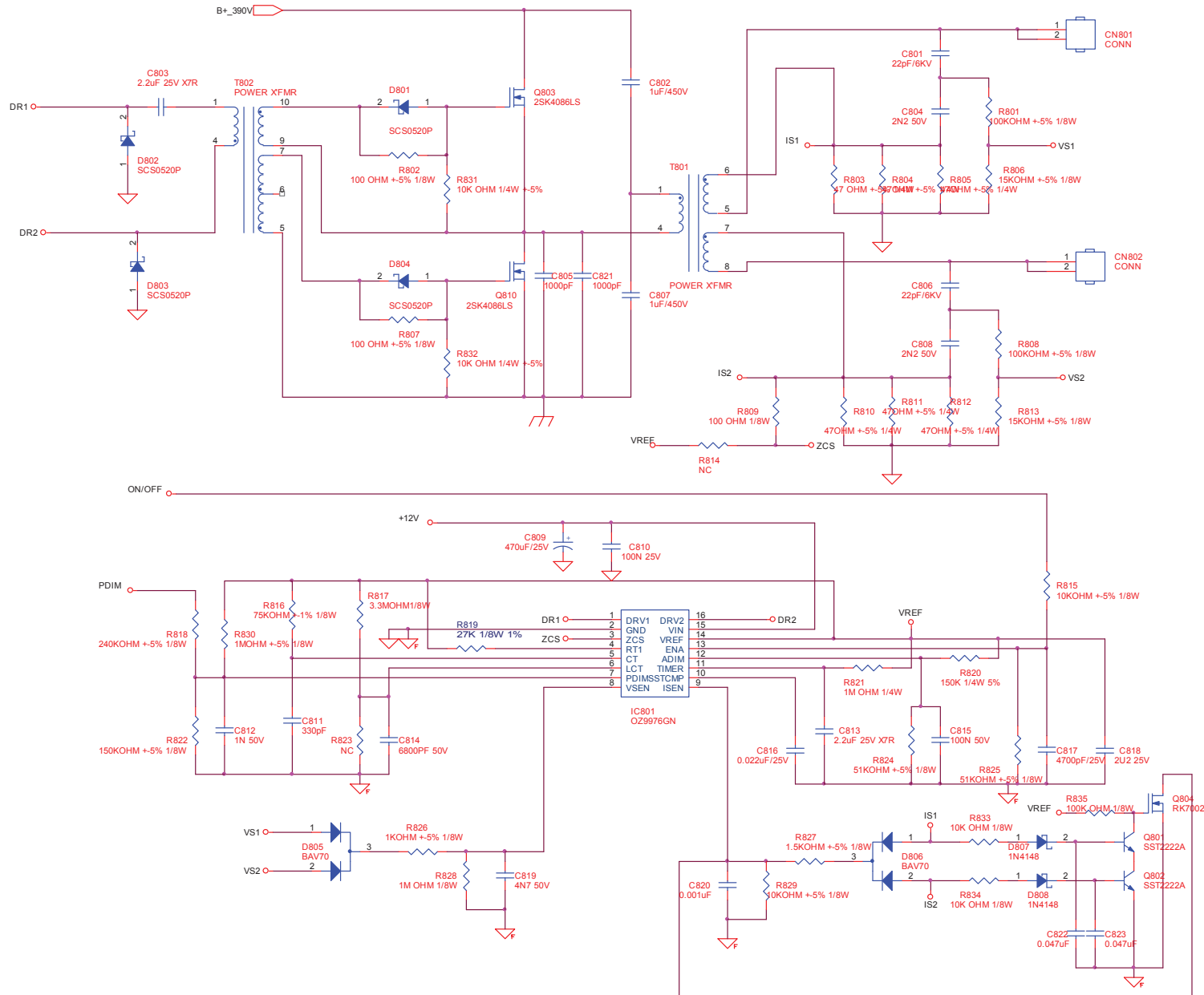
L32WA91 715G3690P01000003M



# L32HA91 715G3234 1

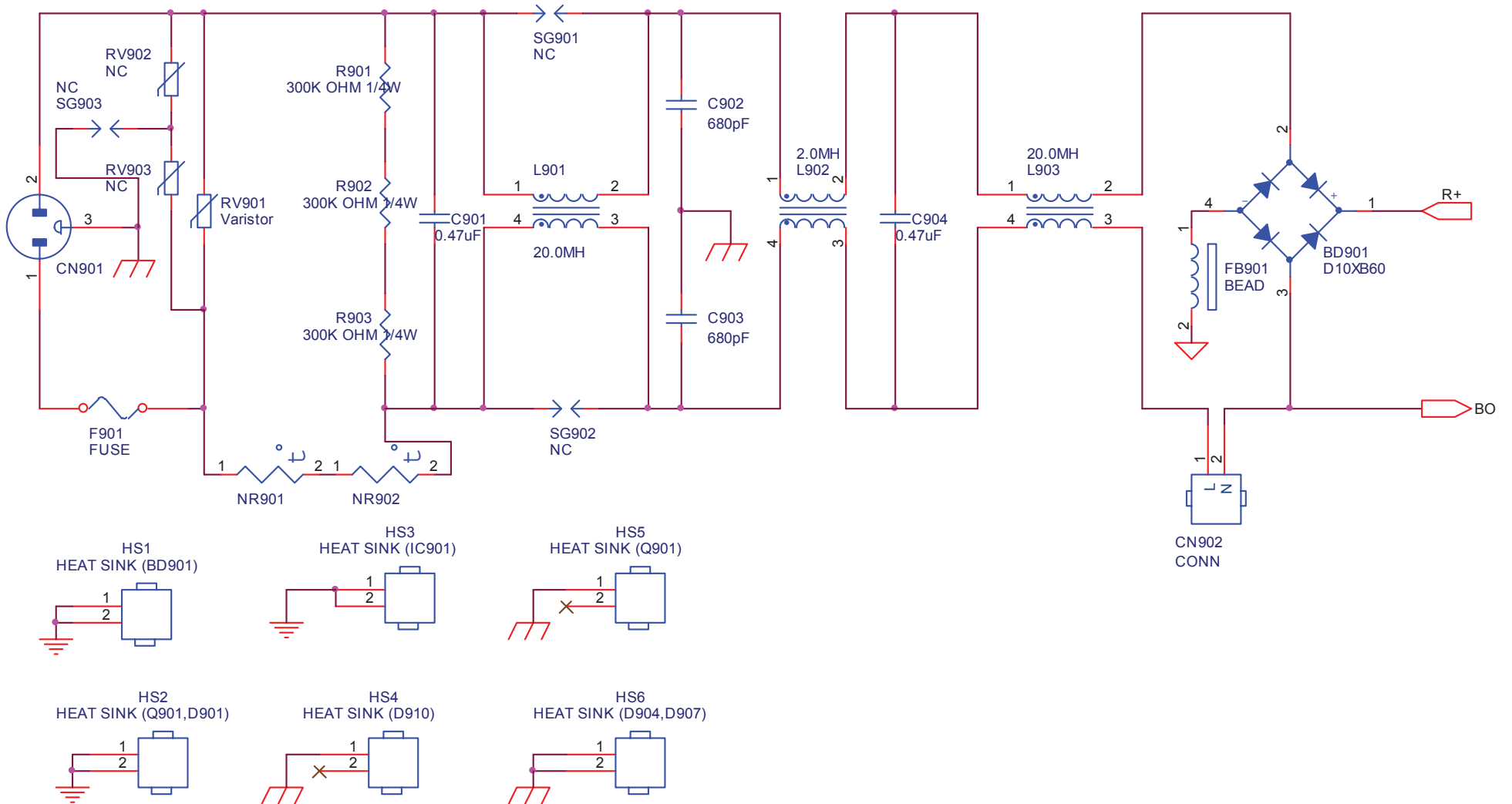


TPV (Top Victory Electronics Co., Ltd.)	OEM MODEL	Size	Custom
规格书编号: G3234-VX4-091209	TPV MODEL		Rev 1.0
Key Component: 01 POWER	PCB NAME	715G3234_1	
Date: Wednesday, December 09, 2009	Sheet	1 of 2	



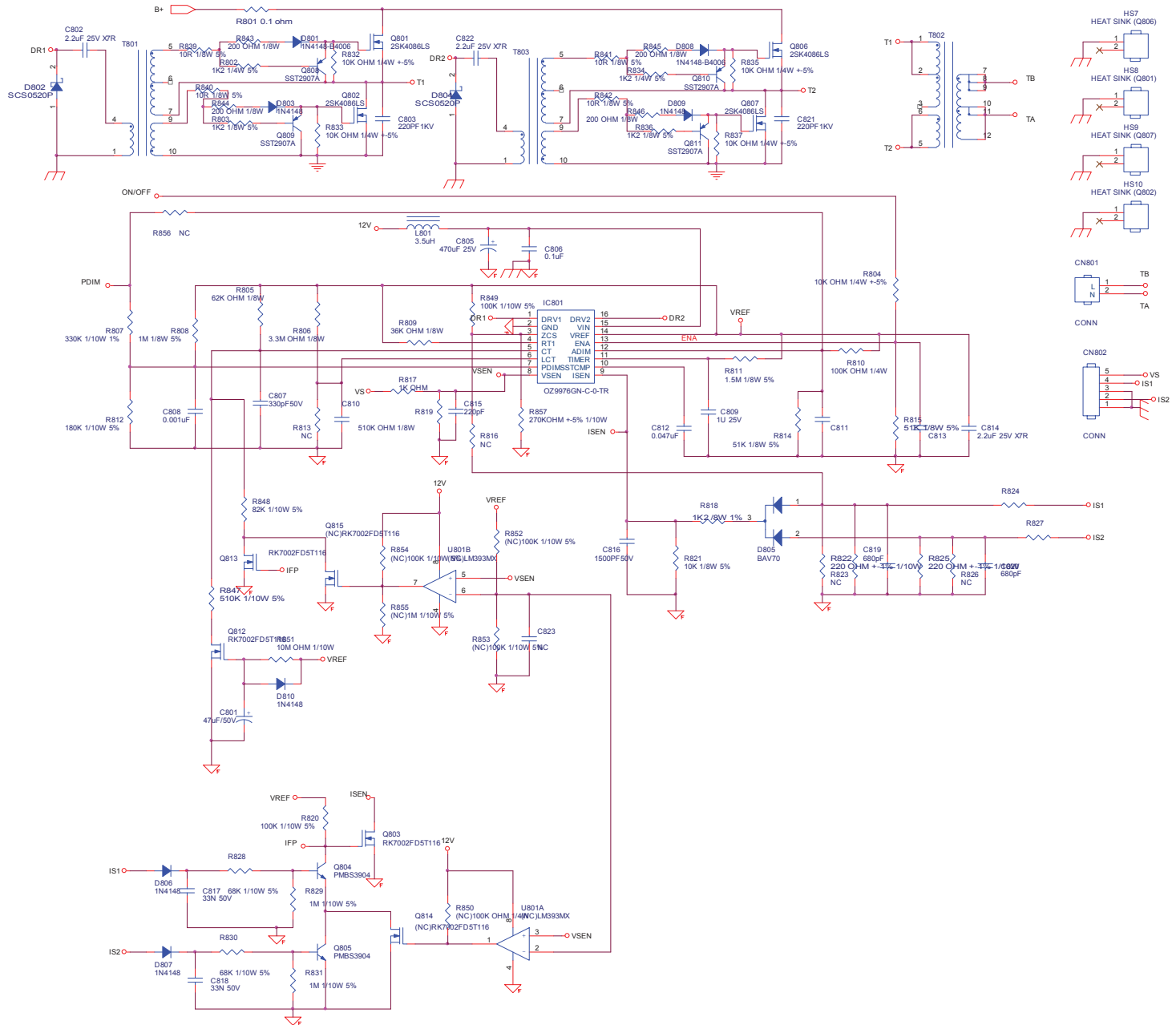
TPV (Top Victory Electronics Co., Ltd.)		OEM MODEL	Size	Custom
經銷商 經銷商 G3234-1.XX4-091209		TPV MODEL	Rev	1.0
Key Component 02.INVERTER		PCB NAME 715G3234 1	修裝	
Date	Wednesday, December 09, 2009	Sheet	2 of 2	

L42HA91 715G3351P01001003S

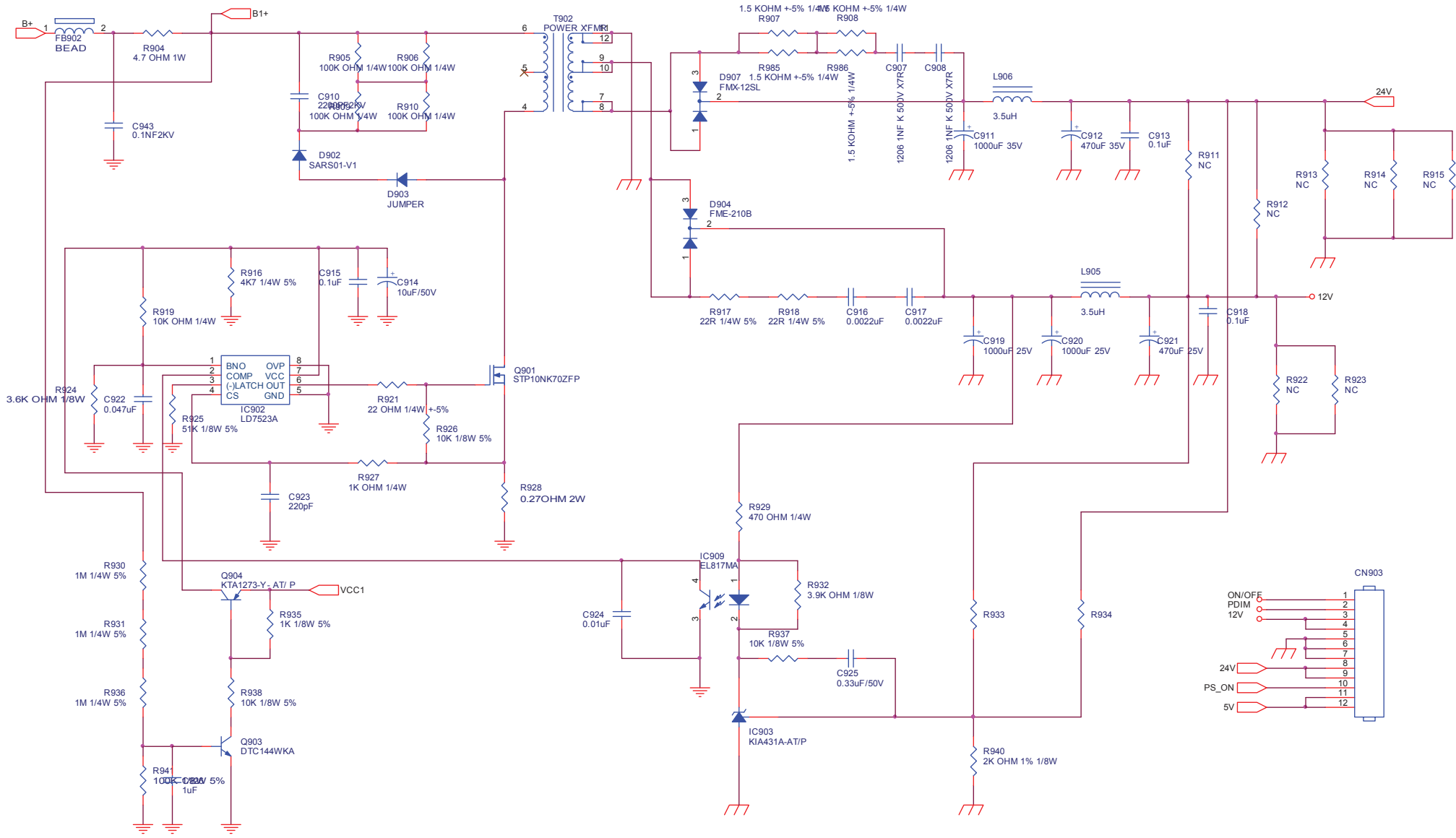


TPV ( Top Victory Electronics Co. , Ltd. )		OEM MODEL		Size	A
紙隔瓜網腹	G3351-1-X-X-5-090413	TPV MODEL		Rev	1.0
Key Component	02.ACside	PCB NAME	715G3351-1	称爹	
Date	Monday , April 13, 2009	Sheet	2 of 6		

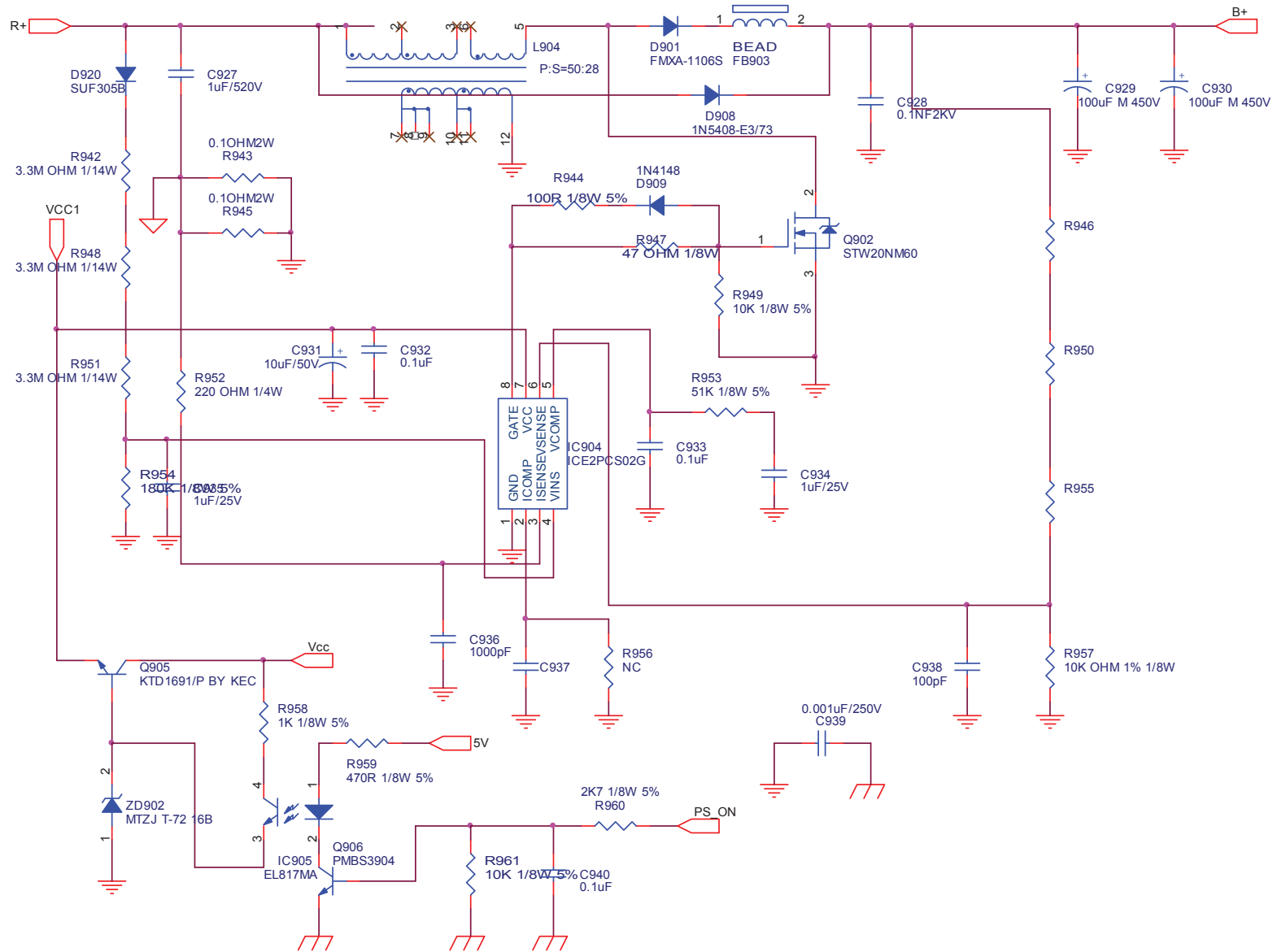




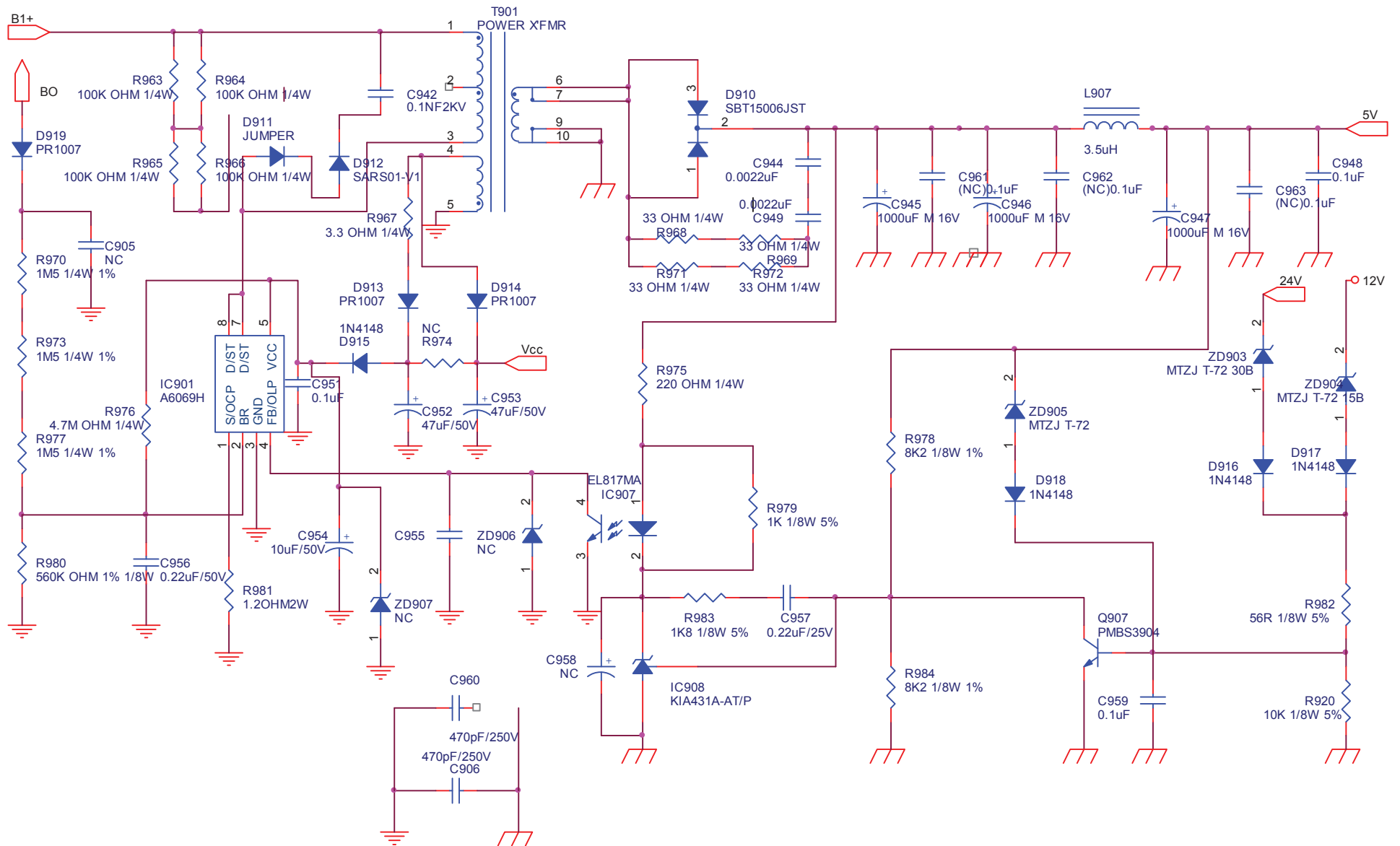
TPV (Top Victory Electronics Co., Ltd.)	OEM MODEL	Size	Custom
控制板原理图	G3351-1-XX-5-090413	TPV MODEL	Rev 1.0
Key Component	03.Inverter Control	PCB NAME	715G3351-1
Date	Wednesday, April 22, 2009	Sheet	3 of 6



TPV (Top Victory Electronics Co., Ltd.)	OEM MODEL		Size	B
经隔瓜铜版	G3351-1-X-X5-090413	TPV MODEL		Rev
Key Component	04.MAINPOWER	PCB NAME	715G3351-1	Rev
Date	Monday, April 13, 2009	Sheet	4 of 6	称参

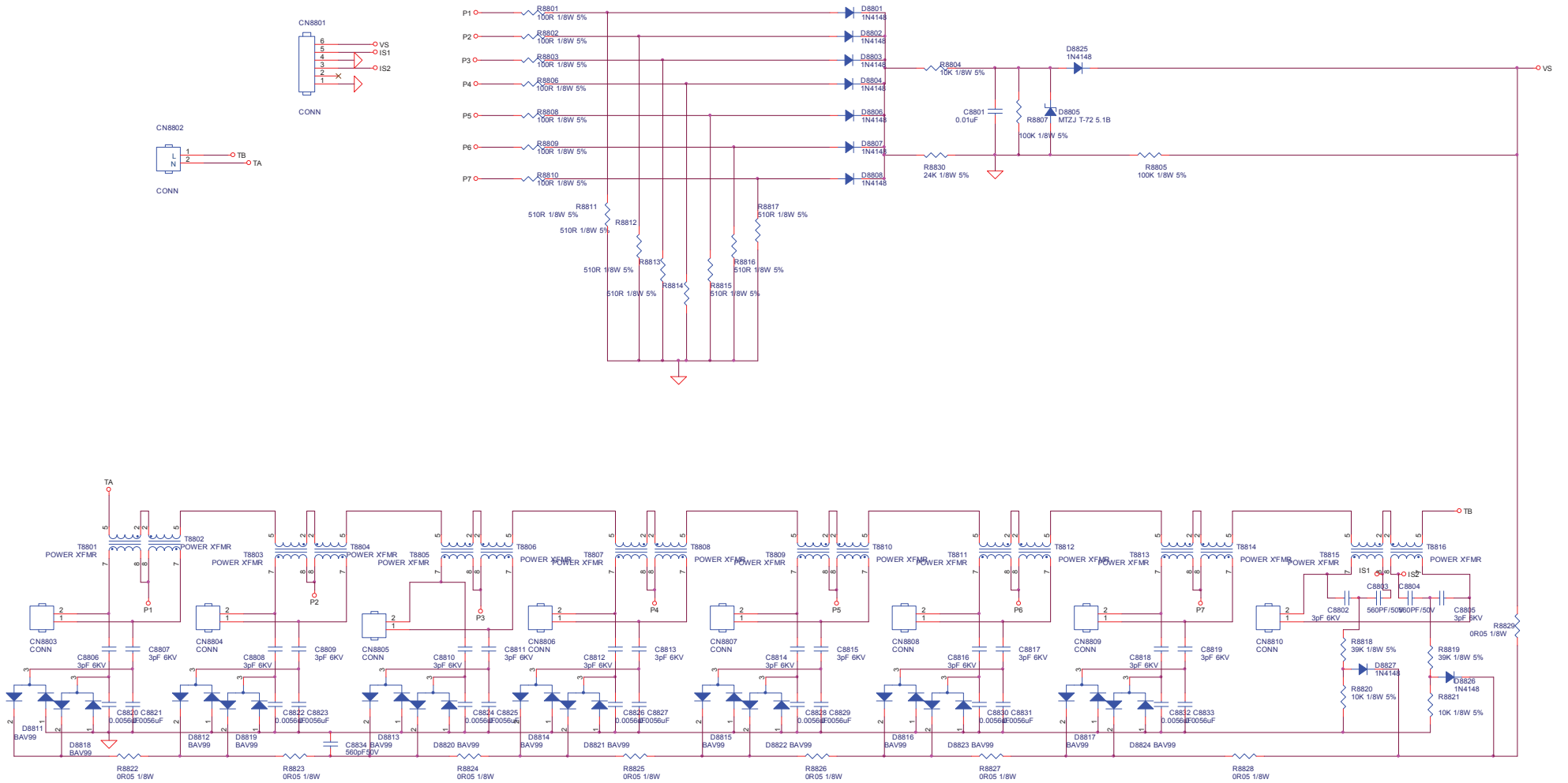


TPV (Top Victory Electronics Co., Ltd.)	OEM MODEL		Size	Custom
結構瓜網版	G3351-1-X-X-5-090413	TPV MODEL	Rev	1.0
Key Component	05.PFC	PCB NAME	715G3351-1	
Date	Monday, April 20, 2009	Sheet	4 of 6	称爹

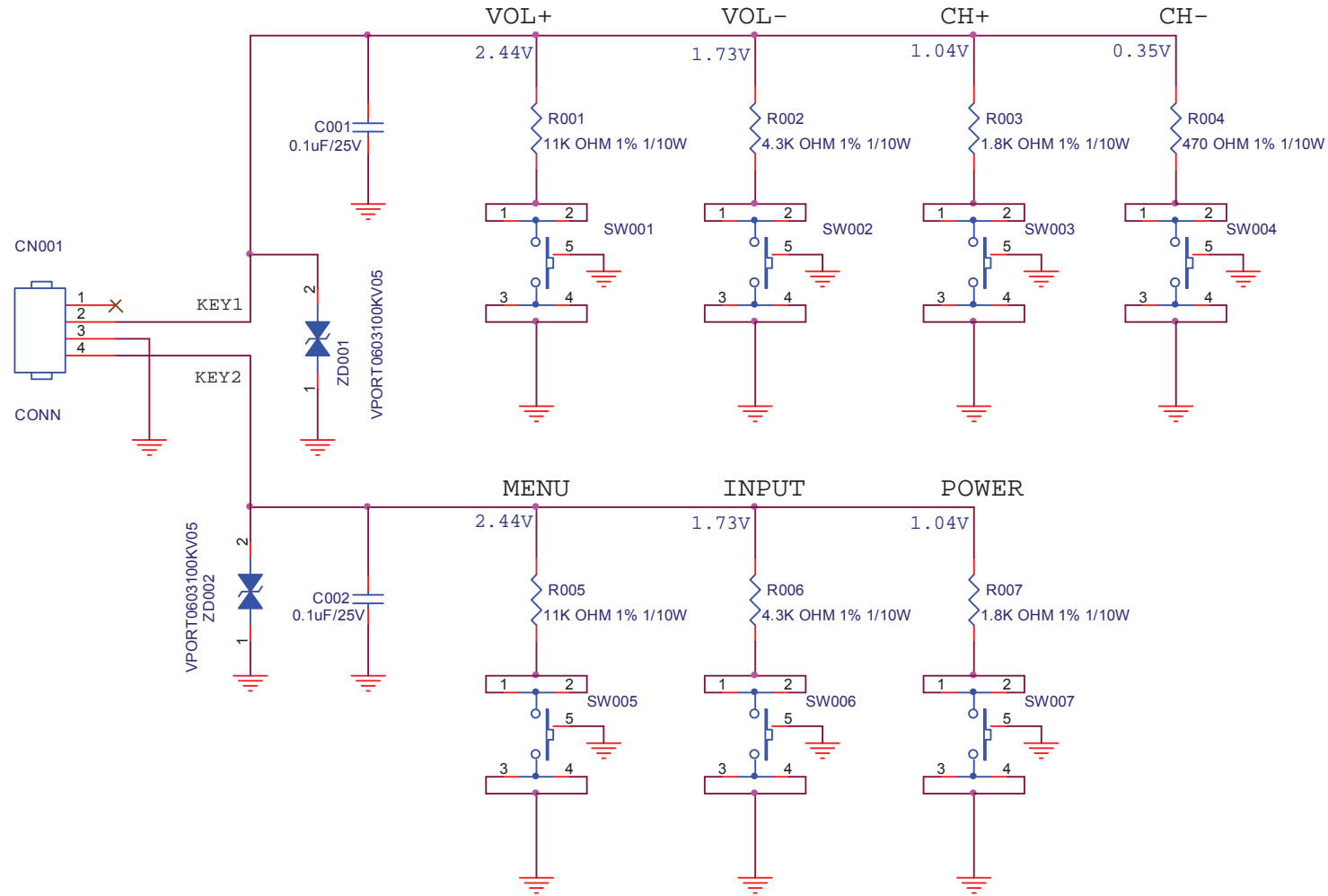


TPV ( Top Victory Electronics Co. , Ltd. )		OEM MODEL		Size	Custom
紙隔瓜網膜	G3351-1-X-X-5-090413	TPV MODEL		Rev	1.0
Key Component	06.STANDBY	PCB NAME	715G3351-1	称爹	
Date	Monday, April 13, 2009	Sheet	6 of 6		

L42HA91 715G3358-1



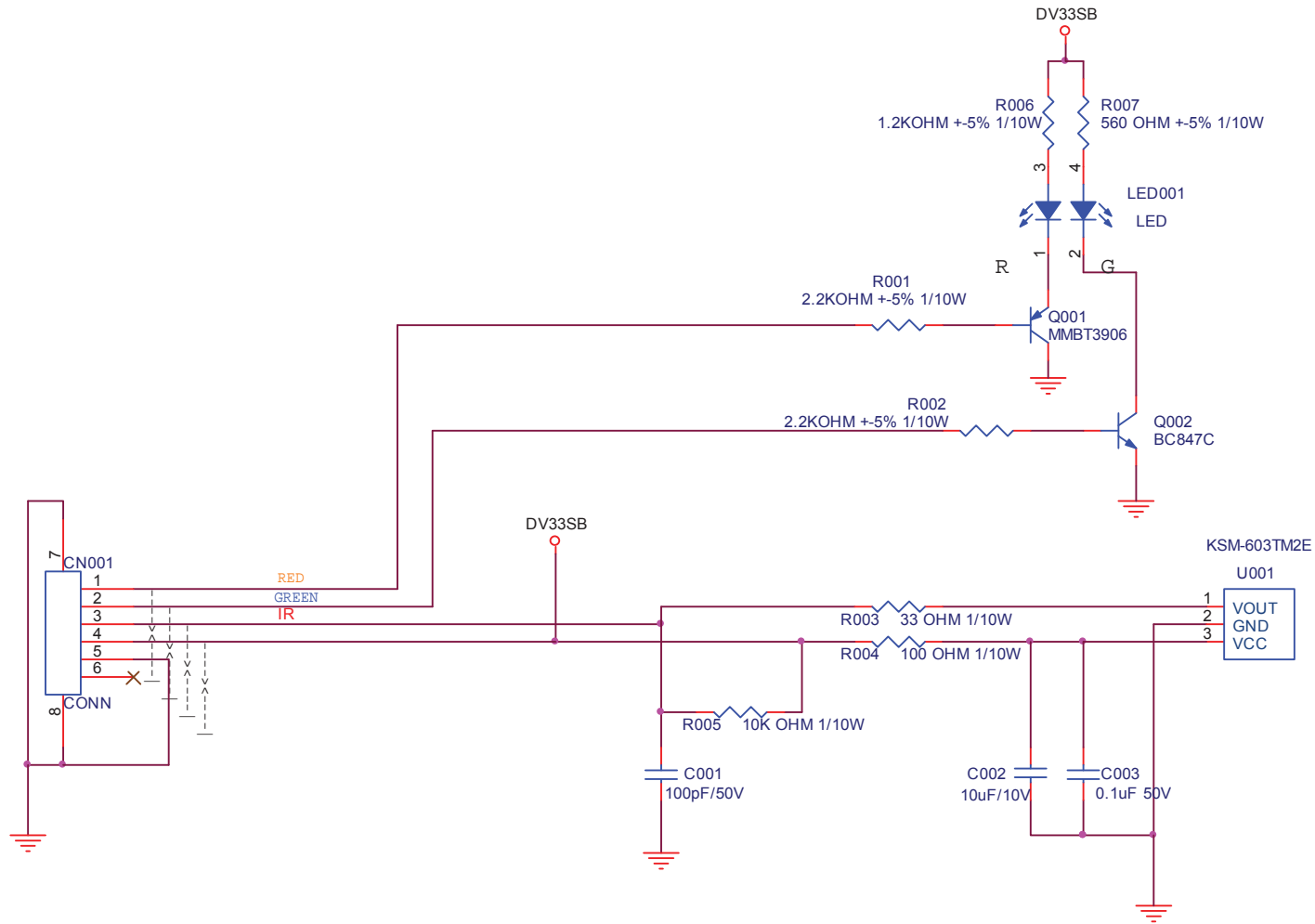
### 9.3 Key Board 715G3375-1



TPV (Top Victory Electronics Co., Ltd.)		OEM MODEL	AOC	Size	A
紙隔瓜網腹	G3375-1-X-X-1-090619	TPV MODEL		Rev	B
Key Component	KEYPAD	PCB NAME	715T3375-1	称爹	
Date	Friday, June 19, 2009	Sheet	1 of 1		

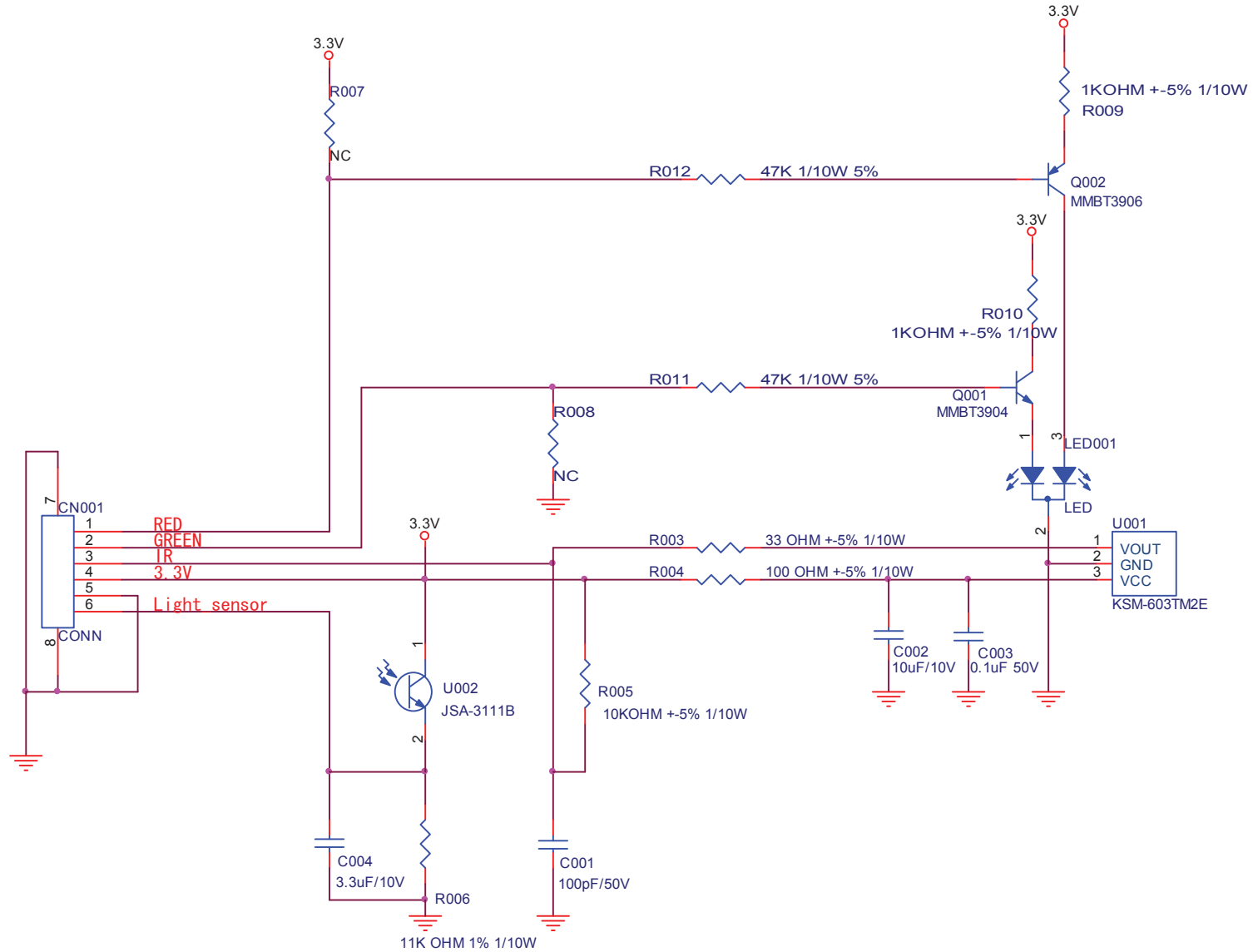
# 9.4 IR Board

## L26WA91 715G3392-1



TPV ( Top Victory Electronics Co., Ltd. )		OEM MODEL	AOC	Size	A
結隔瓜網腹	G3392-E-X-X-1-090518	TPV MODEL		Rev	C
Key Component	LED&IR	PCB NAME	715T3392-1	称爹	
Date	Monday, May 19, 2009	Sheet	1 of 1		

L32WA91&L32HA91&L42HA91 715G3514-1



TPV (Top Victory Electronics Co., Ltd.)	OEM MODEL	AOC	Size	A
紙隔瓜網膜	T3514-B-X-X-1-090409	TPV MODEL	Rev	A
Key Component	IR-LED	PCB NAME	715G3514-1	称爹
Date	Monday, January 12, 2009	Sheet	1 of 1	