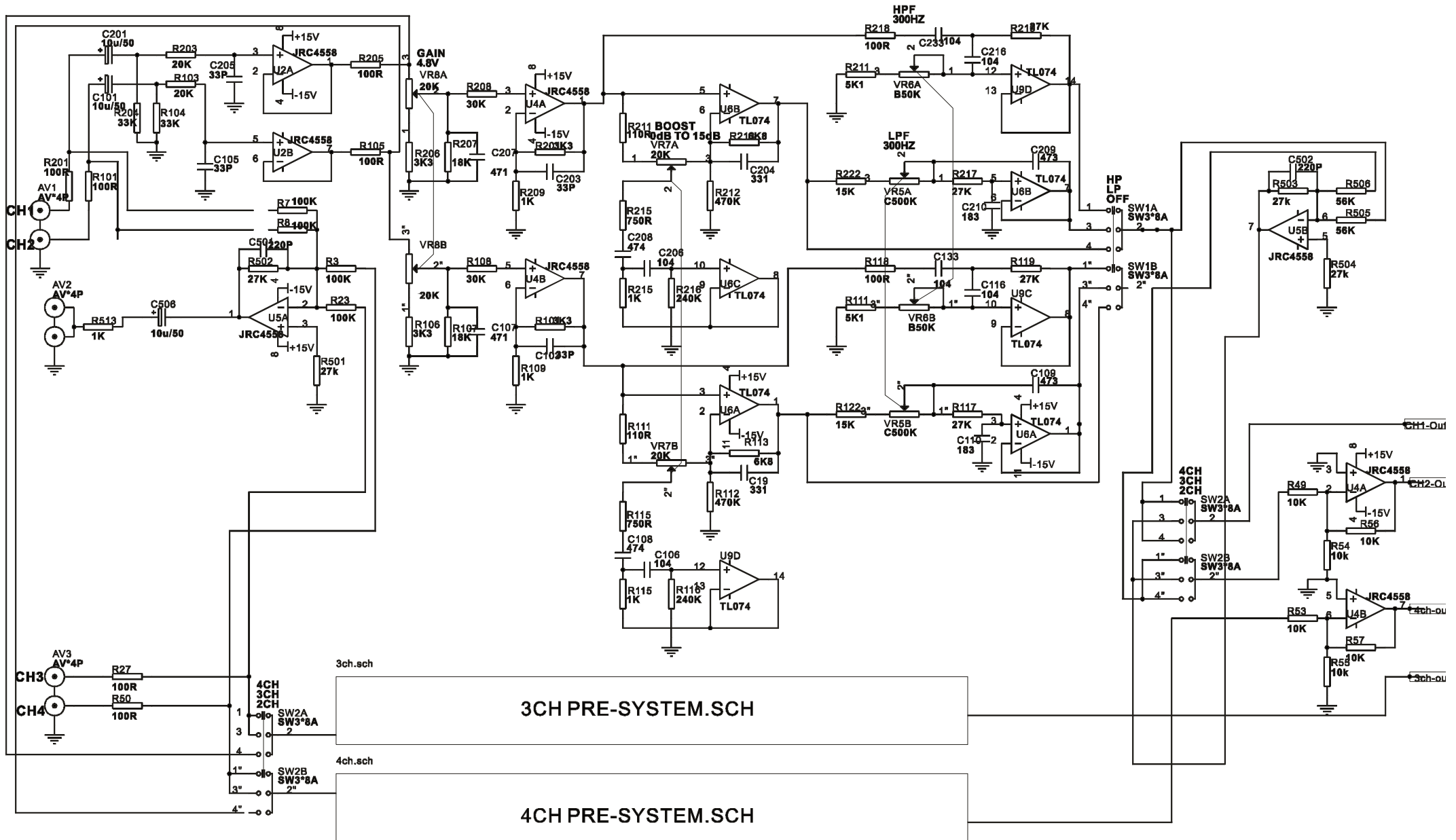




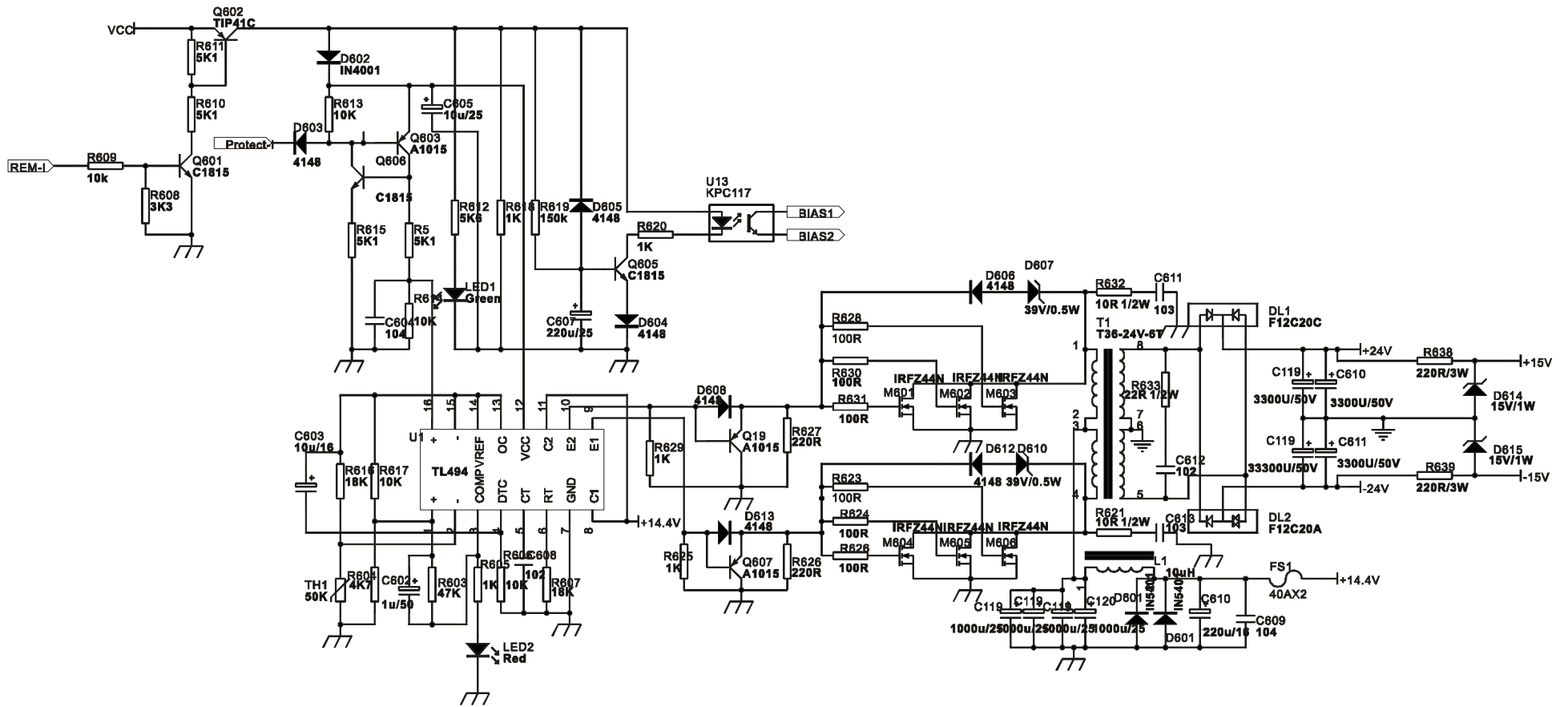
THE ROCK

MAGNET

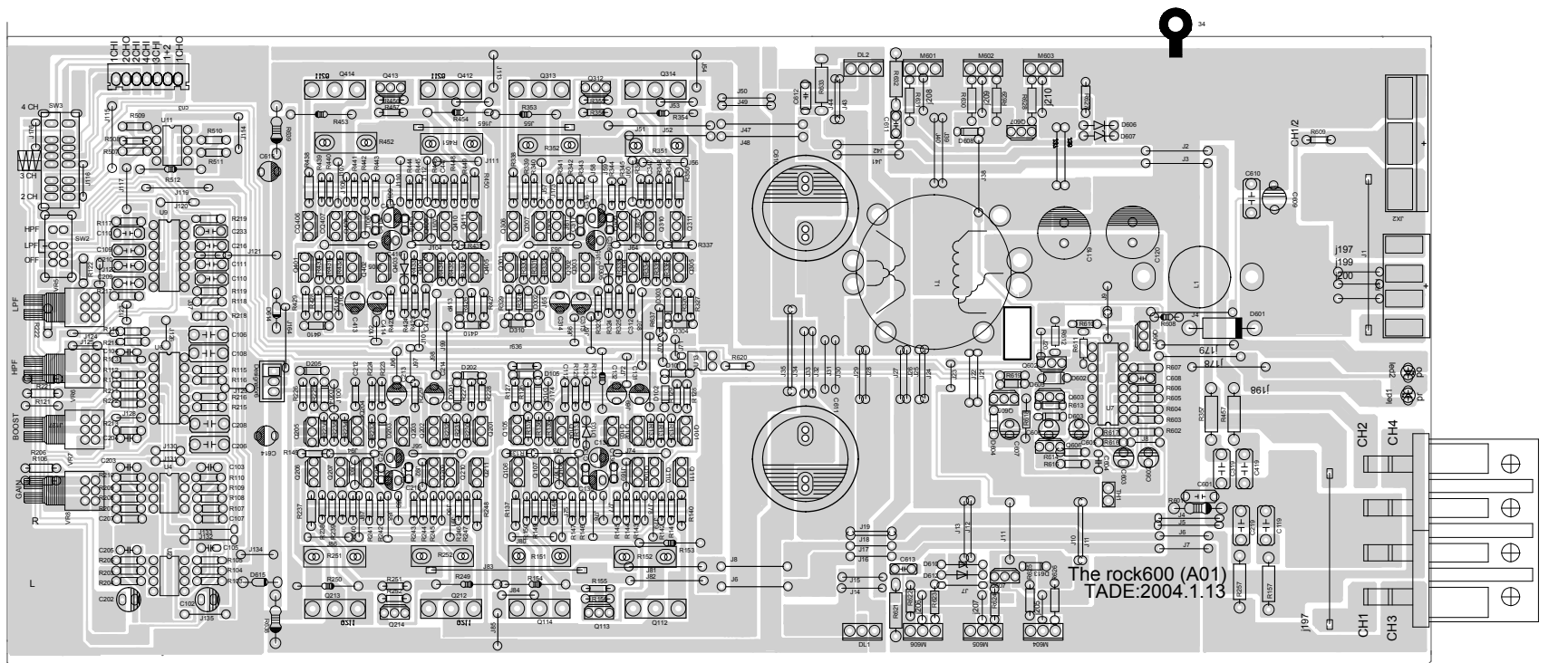
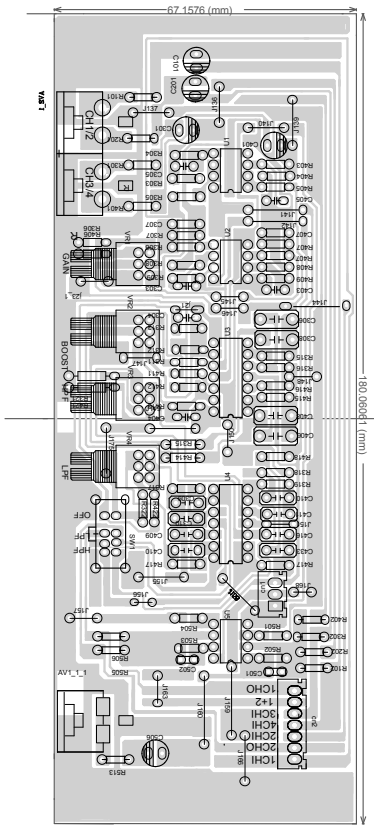
THE ROCK 800 4 CH AMP 1000 WATTS MAX



The Rock 800 Pre-System Circuit



The Rock 800 Power-System Circuit



Spare part list

Product Name: Car Amplifier

Model No. : THE ROCK 800

Brand Name : Mac Audio

Serial number	Types	Description of components	Comment	Quantity	Unit	Components
001	PCB	PCB		2	PCS	SAGA2004-THE ROCK 800:PCB-A01
002	Safety components	Coils	Φ36	2	PCS	SAGA2004-THE ROCK -A01
		OSC Coils	Φ10	2	PCS	
		Fuse	40A	2	PCS	
		Fuse Holder	two way	1	PCS	
003	IC	IC	PC817	1	PCS	U13
			TL074CN	4	PCS	U3, U4, U6, U9
			JRC4558	6	PCS	U1, U1-1, U2, U2-1, U4-1, U5
			TL494	1	PCS	U11
004	Transistor	Triodes	A1013	1	PCS	Q602
			A940	4	PCS	Q406_1, Q111, Q211, Q306,
			C2073	4	PCS	Q106, Q206, Q311, Q411
			A1015	5	PCS	Q603, Q606, Q607, Q608, Q609
			C1815	3	PCS	Q601, Q604, Q605
			A1266	16	PCS	Q104, Q105, Q107, Q109, Q204, Q205, Q207, Q209, Q304, Q305, Q308, Q310, Q404, Q405, Q408, Q410
			C3198	24	PCS	Q114, Q407-1, Q101, Q102, Q103, Q108, Q110, Q201, Q202, Q203, Q208, Q210, Q214, Q301, Q302, Q303, Q307, Q309, Q312, Q401, Q402, Q403, Q409, Q413
			A1943	4	PCS	Q112, Q212, Q313, Q414
			C5200	4	PCS	Q213, Q314, Q412, Q113
			Voltage Stabilizing Diodes	15V/1W	2	PCS
		39V/0.5W		4	PCS	D606, D610, D613, D617
		Schottky Barrier Rectifier	F12C20A	2	PCS	DL3, DL4
			F12C20C	2	PCS	DL1, DL2
		Switch Diodes	IN4148	31	PCS	D608, D609, D615, D616, D607, D611, D614, D618, d?9, d?10, d?12, d?13, D604, D605, D617, D101, D102, D104, D105, D201, D202, D203., D204, D205, D302, D303, D304, D310, D7, D103, D305
		Rectifier Diodes	IN4001	1	PCS	D603
			IN5402	2	PCS	D601, D602
		MOSFET	F1010E	8	PCS	M1, M2, M3, M4, M5, M6, M7, M8
		LED	Φ3 Red	1	PCS	LED1
			Φ3 Green	1	PCS	LED2

Spare part list

Product Name: Car Amplifier
Brand Name : Mac Audio

Model No. :THE ROCK 800

Serial number	Types	Description of components	Comment	Quantity	Unit	Components
005	Resistors	Thermal Resistors	RTH-50K	1		
		Resistors	RTX-5W-0.1Ω	8	PCS	R151, R152, R251, R252, R351,R352, R451, R452
			RTX-3W-220Ω	2	PCS	R638, R639
			RTX-2W-4.7Ω	2	PCS	R157,R257
			RTX-1/2W-3Ω	8		R137, R140, R237, R248, R338,R350, R438, R450
			RTX-1/2W-4.7Ω	6	PCS	R157, R257, R357, R457,R621, R642
			RTX-1/2W-10Ω	4	PCS	R622, R629, R631, R641
			RTX-1/4W-1KΩ	2	PCS	R618,R620
			RTX-1/8W-39Ω	16	PCS	R131, R132, R135, R136, R231,R232, R234, R235, R331, R332,R334, R335, R431, R432, R434,R435
			RTX-1/8W-47Ω	16	PCS	R141, R143, R146, R150, R238,R242, R245, R247, R339, R341,R344, R349, R439, R441, R444,R449
			RTX-1/8W-100Ω	28	PCS	R105, R118, R205, R218, R301,R305, R318, R401, R405, R418□R623, R625, R626, R627, R632,R635, R638, R639□R101, R127, R128, R201, R226,R228, R327, R329, R427, R429
			RTX-1/8W-110Ω	4	PCS	R111, R211, R311, R411
			RTX-1/8W-220Ω	16	PCS	R624, R628, R630, R640,R130, R145, R230, R236, R243,R330, R336, R343, R430, R436,R443
			RTX-1/8W-750Ω	4	PCS	R114, R215,R315, R414
			RTX-1/8W-1KΩ	35	PCS	R109, R115, R215, R258, R260,R306, R315, R406, R415, R605,R636, R637,,R106, R206,R144, R147, R241, R244, R342,R345, R442, R445,R209, R308, R408, R601,R133, R149, R232, R239, R333,R348, R433, R448, R513
			RTX-1/8W-1.5KΩ	4	PCS	R246,R142,R440,R340
			RTX-1/8W-2.2KΩ	4	PCS	R156, R252, R355, R456
			RTX-1/8W-3.3KΩ	5	PCS	R608,R139, R145, R337, R437
			RTX-1/8W-3.9KΩ	4	PCS	R155, R251, R356, R457
			RTX-1/8W-4.3KΩ	4	PCS	R110, R210, R309, R409
			RTX-1/8W-4.7KΩ	1	PCS	R604
			RTX-1/8W-5.1KΩ	8	PCS	R610, R614, R615,R612,R121, R221,R321, R421
			RTX-1/8W-5.6KΩ	3	PCS	R637, R636,R611
			RTX-1/8W-6.8KΩ	4	PCS	R113, R213, R313, R413
			RTX-1/8W-9.1KΩ	4	PCS	R125, R224, R325, R425
			RTX-1/8W-10KΩ	22	PCS	R108, R208, R507, R508, R509,R510, R511, R602, R606, R613□R148, R229, R240, R323, R346,R423, R446, R609□R306, R407,R123, R607
			RTX-1/8W-13KΩ	1	PCS	R607
			RTX-1/8W-15KΩ	5	PCS	R122, R222,R322, R422, R606
			RTX-1/8W-18KΩ	5	PCS	R107, R207, R307, R407, R607
			RTX-1/8W-20KΩ	4	PCS	R103, R203, R304, R403
			RTX-1/8W-22KΩ	4	PCS	R124, R223, R324, R424
			RTX-1/8W-27KΩ	12	PCS	R117, R119, R217, R219, R317,R319, R417, R417,R501, R502, R503, R504
			RTX-1/8W-33KΩ	4	PCS	R104, R204, R303, R404
RTX-1/8W-47KΩ	9	PCS	R603,R428,R126, R129, R225, R227, R326,R328, R426			
RTX-1/8W-56KΩ	10	PCS	R153, R154, R249, R250, R353,R354, R453, R454,R505, R506			
RTX-1/8W-100KΩ	4	PCS	R102, R202, R302, R402			
RTX-1/8W-150KΩ	1	PCS	R619			
RTX-1/8W-240KΩ	4	PCS	R116, R216, R316, R416			
RTX-1/8W-470KΩ	4	PCS	R112, R212, R312, R412			

Spare part list

Product Name: Car Amplifier

Model No. :THE ROCK 800

Brand Name : Mac Audio

Serial number	Types	Description of components	Comment	Quantity	Unit	Components	
005	Resistors	Trimmers	C9011-15-axis-C20KΩ	4	PCS	VR7,VR2,VR1, VR8	
			C9011-15-axis-C50KΩ	2	PCS	VR3, VR6	
			C9011-15-axis-C500KΩ	2	PCS	VR4, VR5	
006	capacitors	Ceramic Capacitors	CCX-63V-33	8	PCS	C103, C103, C105, C205, C303,C305, C403, C405	
			CCX-63V-100	8	PCS	C136, C137, C215, C216, C317,C318, C415, C418	
			CCX-63V-104	1	PCS	C100	
			CCX-63V-221	2	PCS	C501, C502	
			CCX-63V-331	4	PCS	C104, C204, C304, C404	
			222	4	PCS	C112, C212, C312, C412	
		Color scale capacitors	471	4	PCS	C107, C207, C307, C407	
			CL-100V-102	1	PCS	C606	
		Polyester Capacitors	CCX-63V-103	4	PCS	C609, C610, C615, C616	
			CL-100V-104	18	PCS	C110, C111, C116, C133, C410,C411, C416, C433,C106, C119, C206, C219, C306,C319, C406, C419, C613,C601	
			CL-100V-183	4	PCS	C110, C209, C309, C410	
			CCX-63V-222	2	PCS	C608, C617	
			CL-100V-333	4	PCS	C109, C210, C310, C409	
			CL-100V-474	4	PCS	C108, C208, C308, C408	
			Electrolytic capacitors	CD11-50V-1uF(85□)	1	PCS	C602
				CD11-16V-10uF(85□)	18	PCS	C132, C213, C313, C414,C603, C604, C605,C101, C102, C201, C202, C301,C401, C506,C135, C218, C316, C417
		CD11-16V-47uF(85□)		4	PCS	C134, C217, C315, C416	
		CD11-25V-100uF(85□)		6	PCS	C131, C214, C314, C413,C614, C615	
		CD11-16V-220uF(85□)		2	PCS	C607,C612	
		CD11-355V-1000uF(105□)		4	PCS	C96, C98, C102, C104	
		CD11-50V-4700uF(105□)	4	PCS	C86, C87, C88, C89		
007	Connecting line	J line(Φ0.65mm)	4mm	4	PCS		
			5mm	5	PCS		
			6mm	44	PCS		
			7mm	3	PCS		
			8mm	15	PCS		
			10mm	40	PCS		
			12mm	13	PCS		
			14mm	8	PCS		
			15mm	9	PCS		
			16mm	7	PCS		
			20mm	7	PCS		
			25mm	9	PCS		
			37mm	1	PCS		
			Metal flake wire	39mm	12	PCS	
		a suit of					SAGA2004-THE ROCK 800-A01

Spare part list

Product Name: Car Amplifier

Model No. : THE ROCK 800

Brand Name : Magnat

Serial number	Types	Description of components	Comment	Quantity	Unit	Components
008	Inserting components	RCA socket	AV2-7	1	PCS	
			AV4-7	1	PCS	
		Terminals	Three way	1	PCS	
			Eight way	1	PCS	
		Direct-Pulling Switch	SK43D01G12	1	PCS	
			SK23D25G12	2	PCS	
009	Hardware	Aluminum Covering Plate	THE ROCK 800	1	PCS	
		Front Panel	THE ROCK 800	1	PCS	
		Rear Panel	THE ROCK 800	1	PCS	
		Bottom Panel	THE ROCK 800	1	PCS	
		Fit Iron Press Plate	Big	4	PCS	32X20MM
			Middle	6	PCS	27X20MM
		Screw	BT3X6	18	PCS	
			BT3X4	2	PCS	
			BA3X6	1	PCS	
			BA3X12	6	PCS	
		010	Plastics	Polybag	50×70mm	1
510×330mm	1				PCS	
Silicon Silk	30X100mm			4	PCS	
Coils pad	Φ36			2	PCS	
Switch sponge Pad				3	PCS	
011	Package	foam		a pair of		
		Fuse	40A	2	PCS	
		Screw	BA4×10	4	PCS	
		Meson	Φ5	4	PCS	
		Flexibility Meson	Φ5	4	PCS	
		User's Manual	THE ROCK 800	1	PCS	
		Gift Box	THE ROCK 800	1	PCS	
012	Accessories	brand		1	PCS	
		RCA Jacks Covering		6	PCS	
		Groundwire Solder Plate	Φ5	1	PCS	
		Tube	Φ1	2	PCS	
		Glue		a few		
		Tin		a few		