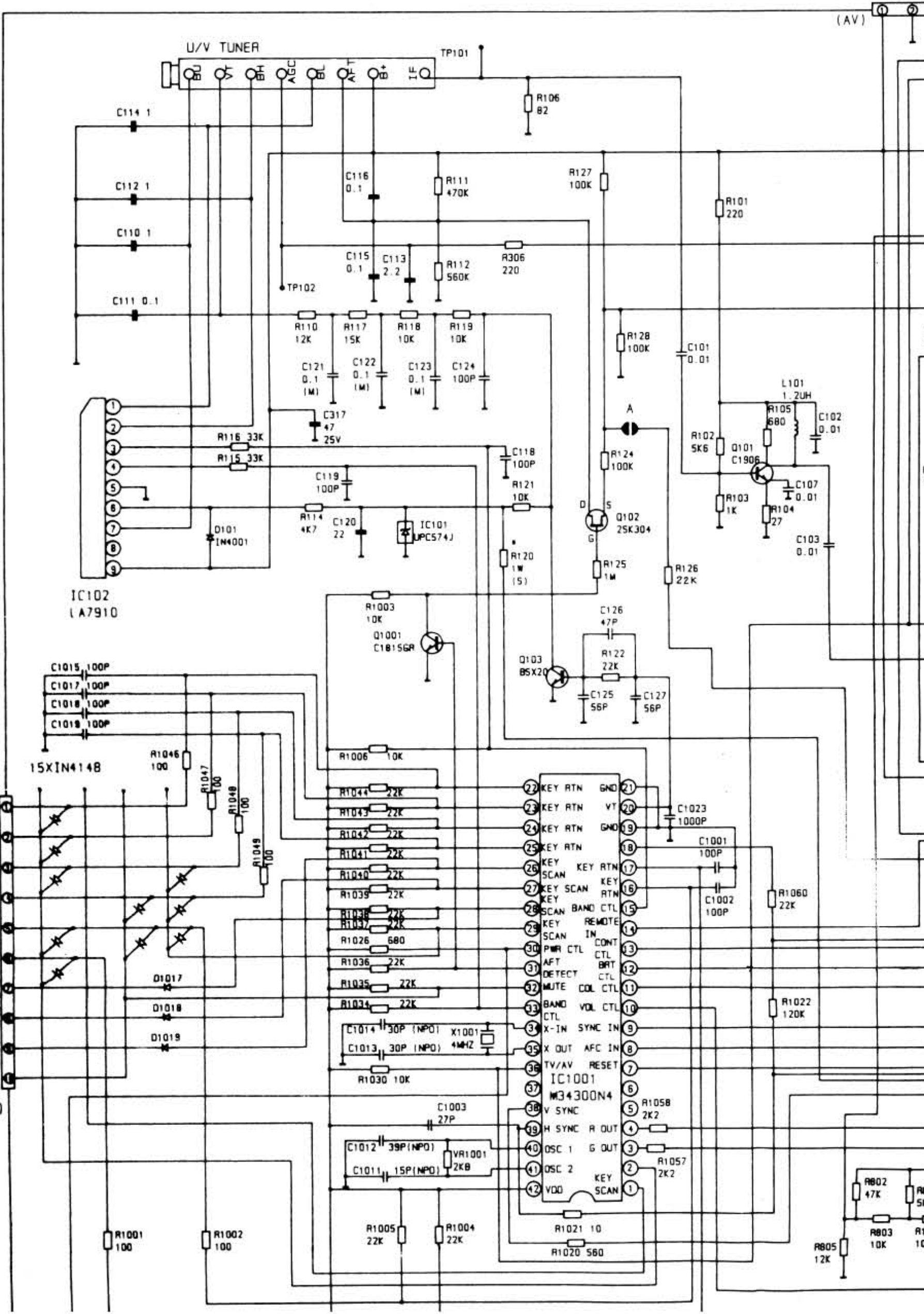


(AV)



U/V TUNER

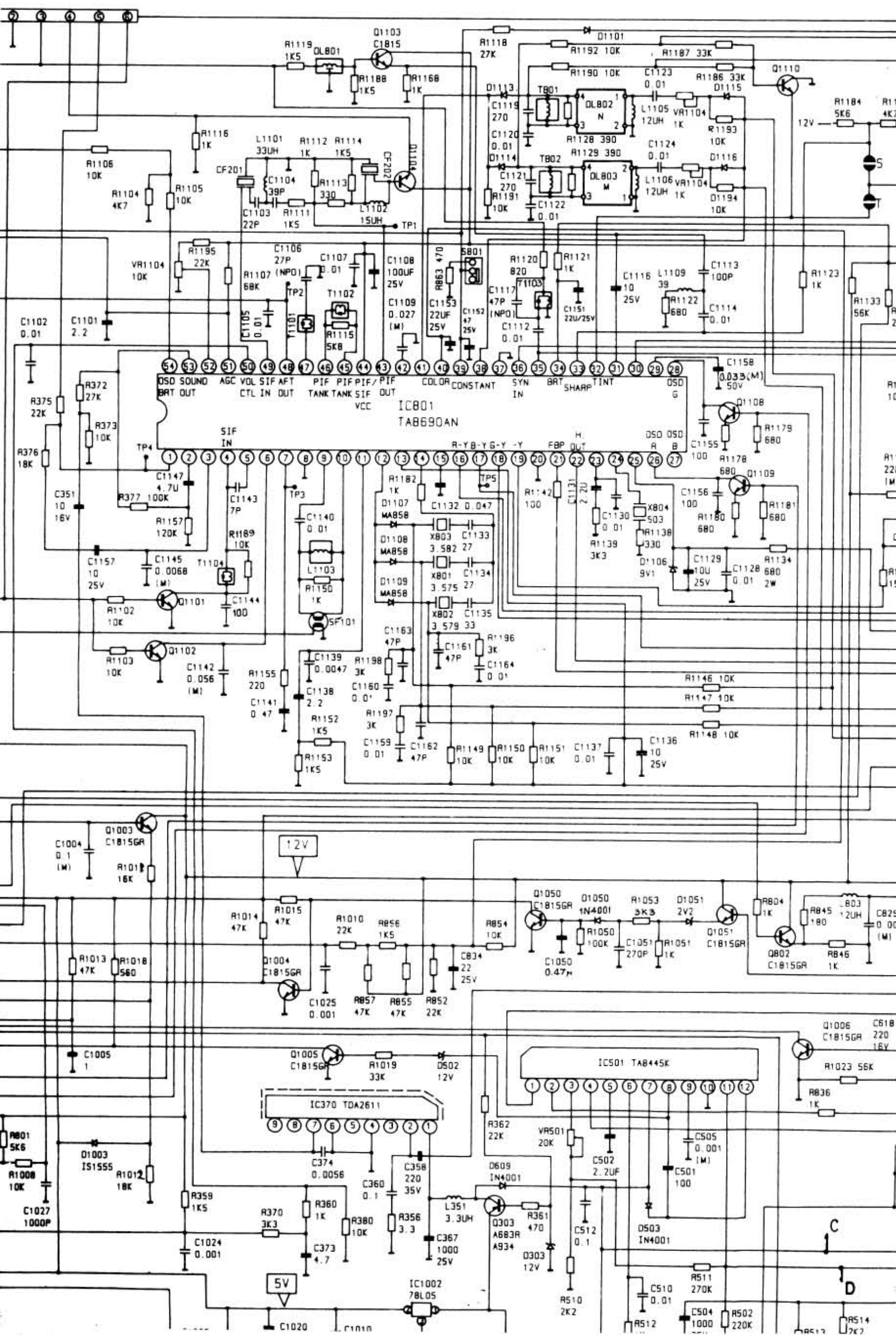
TP101

TP102

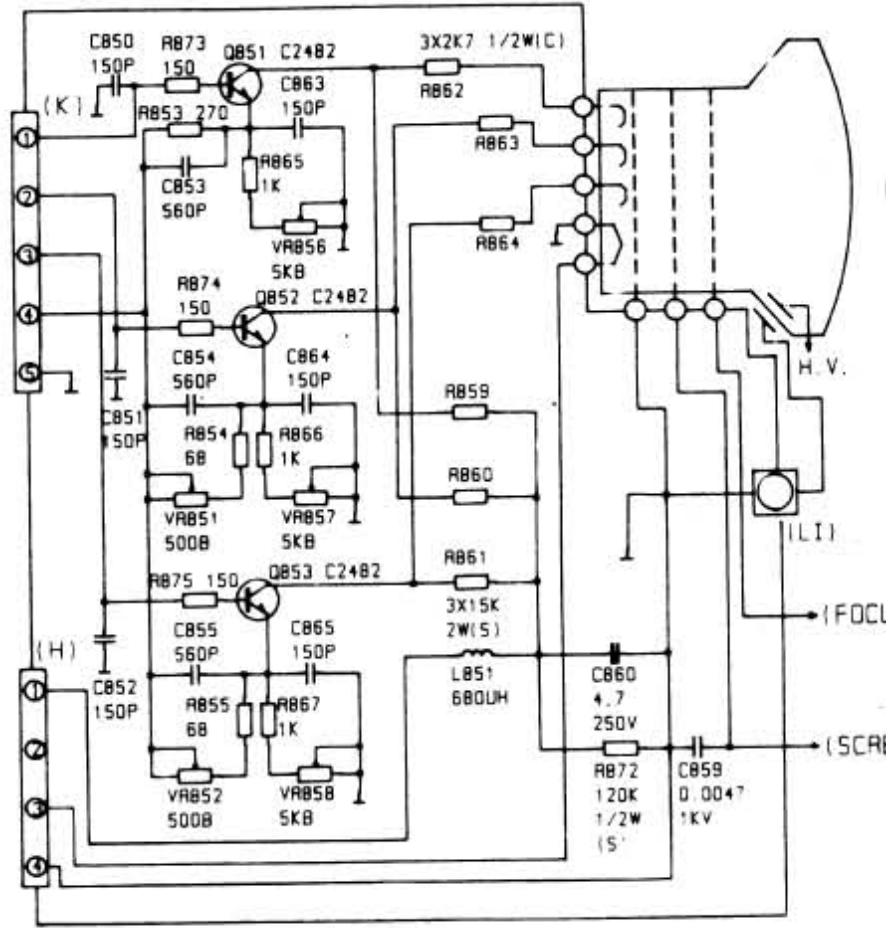
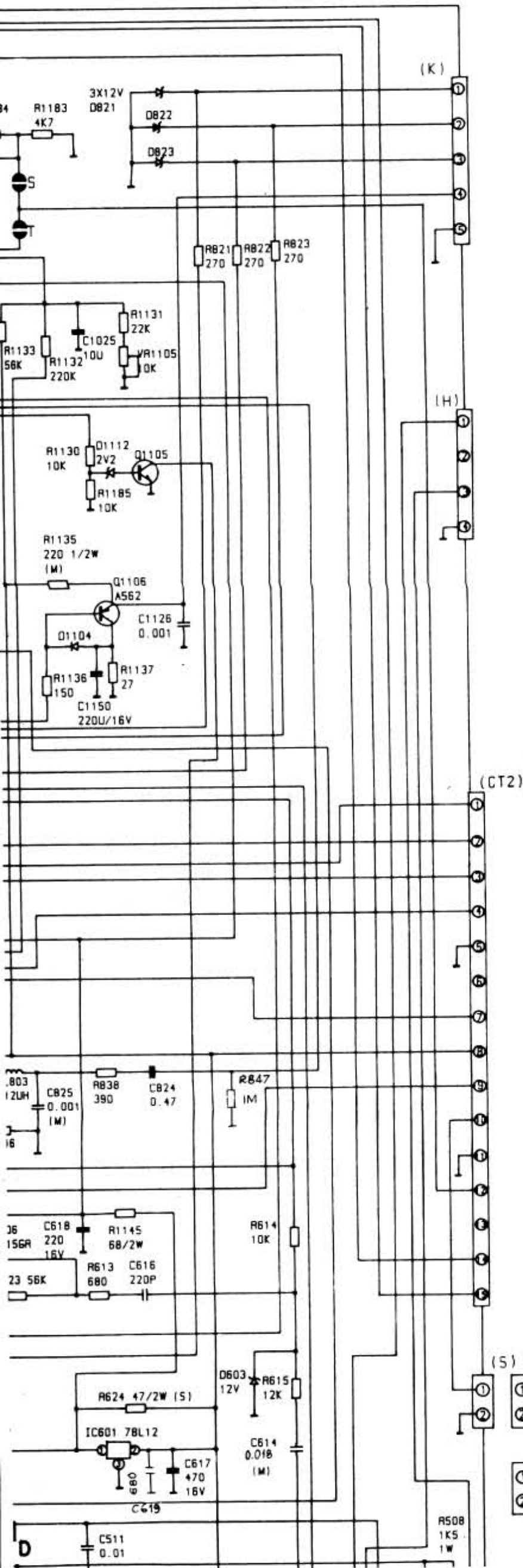
IC102
LA7910

15X1N4148

- 22 KEY RTN GND
- 23 KEY RTN VT
- 24 KEY RTN GND
- 25 KEY RTN
- 26 KEY SCAN KEY RTN
- 27 KEY SCAN KEY RTN
- 28 SCAN BAND CTL
- 29 KEY REMOTE
- 30 SCAN IN CONT
- 31 PMR CTL CTL
- 32 AFT DETECT BRT
- 33 MUTE COL CTL
- 34 BAND VOL CTL
- 35 X-IN SYNC IN
- 36 X OUT AFC IN
- 37 TV/AV RESET
- 38 IC1001
- 39 M34300N4
- 38 V SYNC
- 39 H SYNC R OUT
- 40 OSC 1 G OUT
- 41 OSC 2
- 42 VDD KEY SCAN

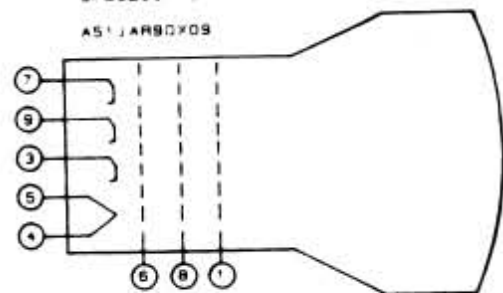


CRT BOARD

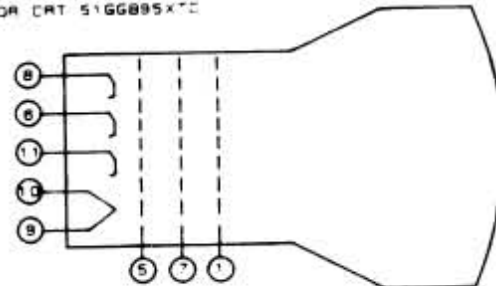


- 1) ALL CAPACITORS ARE IN UF/50V UNLESS OTHERWISE NOTED
- 2) CAPACITORS NOT SPECIFICALLY DESIGNATED ARE CERAMIC
 - ⊕ ELECTROLYTIC CAP
 - (M) MYLER CAP
 - (NP) NONPOLAR CAP
 - (TA) TANTALUM CAP
 - (MP) METALIZED POLYESTER CAP
 - (PP) POLYPROPYLENE CAP
- 3) ALL RESISTORS ARE CARBON FILM IN OHM 1/4W UNLESS OTHERWISE NOTED
 - F FUSING RESISTOR
 - S METAL OXIDE RESISTOR
 - W WIRE WOUND RESISTOR
 - C CARBON COMPOSITION RESISTOR
- 4) ACCORDING TO THE TYPE OF CRT THE PIN ASSIGNMENTS ARE AS FOLLOWS

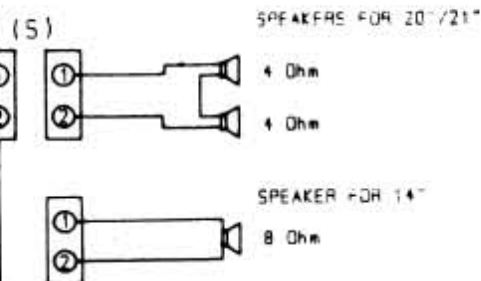
- ① FOR CRT 434JH90X08
3702B27-TC
A51JAB90X08



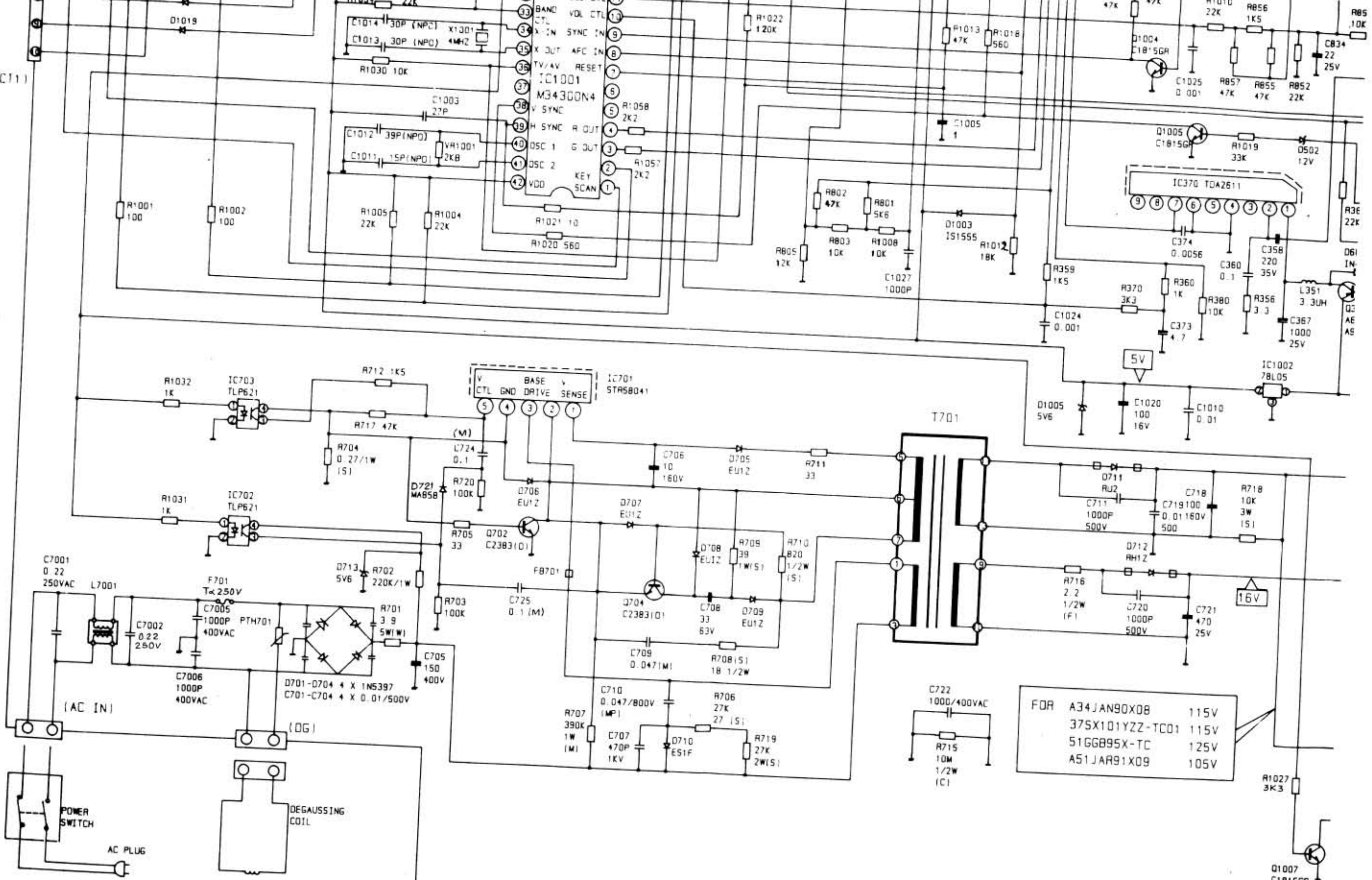
- ② FOR CRT 51GG895XTC



- 5) COMPONENTS IN SHADED AREA ARE IMPORTANT PARTS WHEN REPLACE ANY OF THESE COMPONENTS, USE ONLY SPECIFIED PARTS

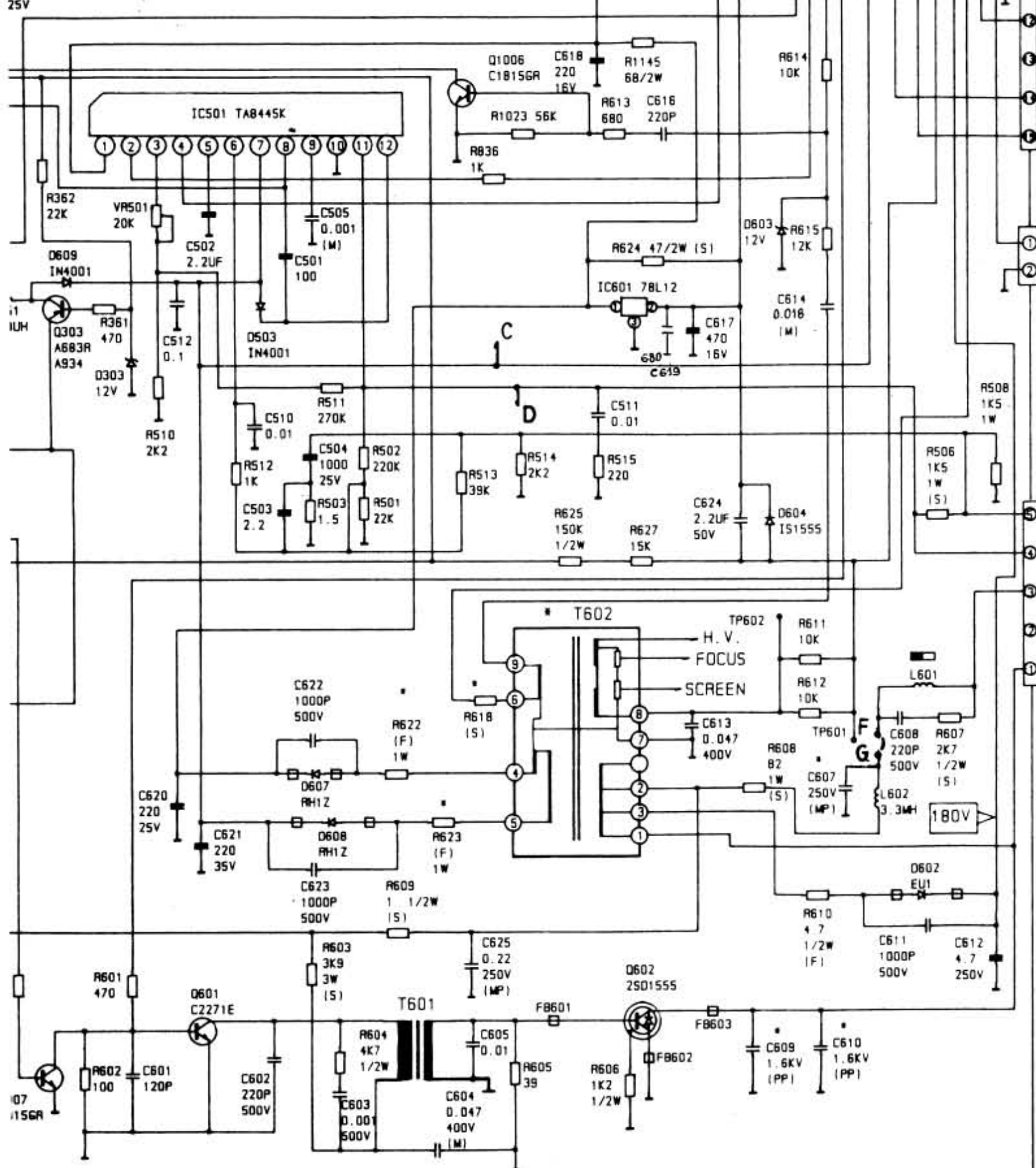


(C11)



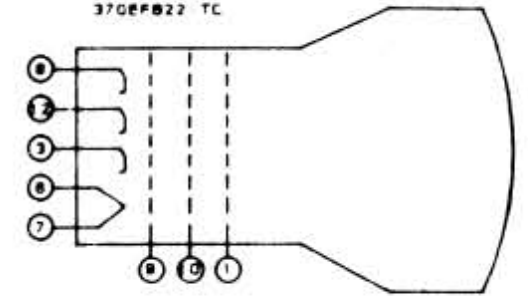
FOR A34JAN90X08	115V
375X101YZZ-TC01	115V
51GG895X-TC	125V
A51JAR91X09	105V

Q1007

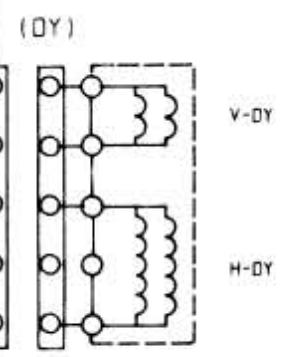
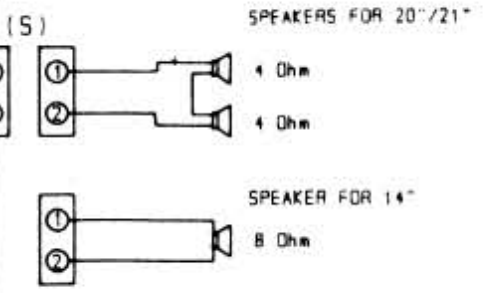
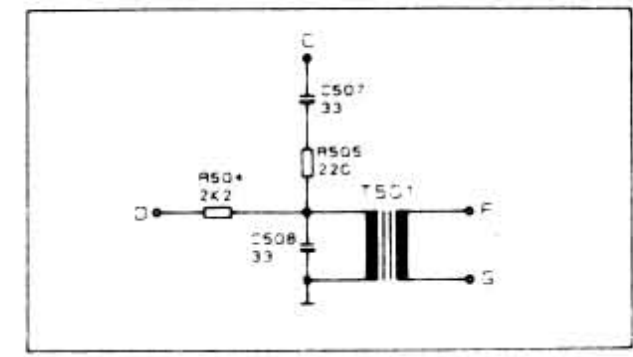


5) COMPONENTS IN SHADED AREA ARE IMPORTANT PARTS ON SAFETY. WHEN REPLACE ANY OF THESE COMPONENTS, USE ONLY MANUFACTURERS SPECIFIED PARTS.

② FOR CRT 375X101Y22-DC01 370EFB22-TC



FOR CRT 375X101Y22-DC01 & 370EFB22-TC PIN CUSHION CORRECTION CIRCUIT WAS ADDED.



COMPONENTS MARKED WITH ■ REFER TO THE FOLLOWING TABLE SUBSTITUTION TABLE - APPLICABLE ACCORDING TO TYPE OF CRT

CRT	14"		20"		21"	
	A34JAN90X08 3702B22-TC	375X101Y22-DC01 370EFB22-TC	51GG895X-TC		A51JAR90X09	
T602	KFS-60348B	KFS-60534B	KFS-60455Z	FCM-2080Z5	KFS-60371C	
R717	39K	39K	100K	100K	27K	
R618	2.2 1W	3.3 1W	2.2 2W	1.5 2W	5.6 1W	
R622	1 1W	2.2 1W	5.6 1W	2.2 1W	5.6 1W	
R623	1 1W	2.2 1W	3.3 1W	3.3 1W	1 1W	
R625	130K	130K	150K	150K	120K	
R373	4.7K	4.7K	10K	10K	10K	