



# Service Manual

Created: 06 August 2015



## U-PHORIA UMC204HD

**Audiophile 2x4, 24-Bit/192 kHz USB Audio/MIDI Interface with MIDAS Mic Preamplifiers**

Specifications .....	2
PCB Schematic .....	3
Parts List .....	6
Exploded Drawing .....	12

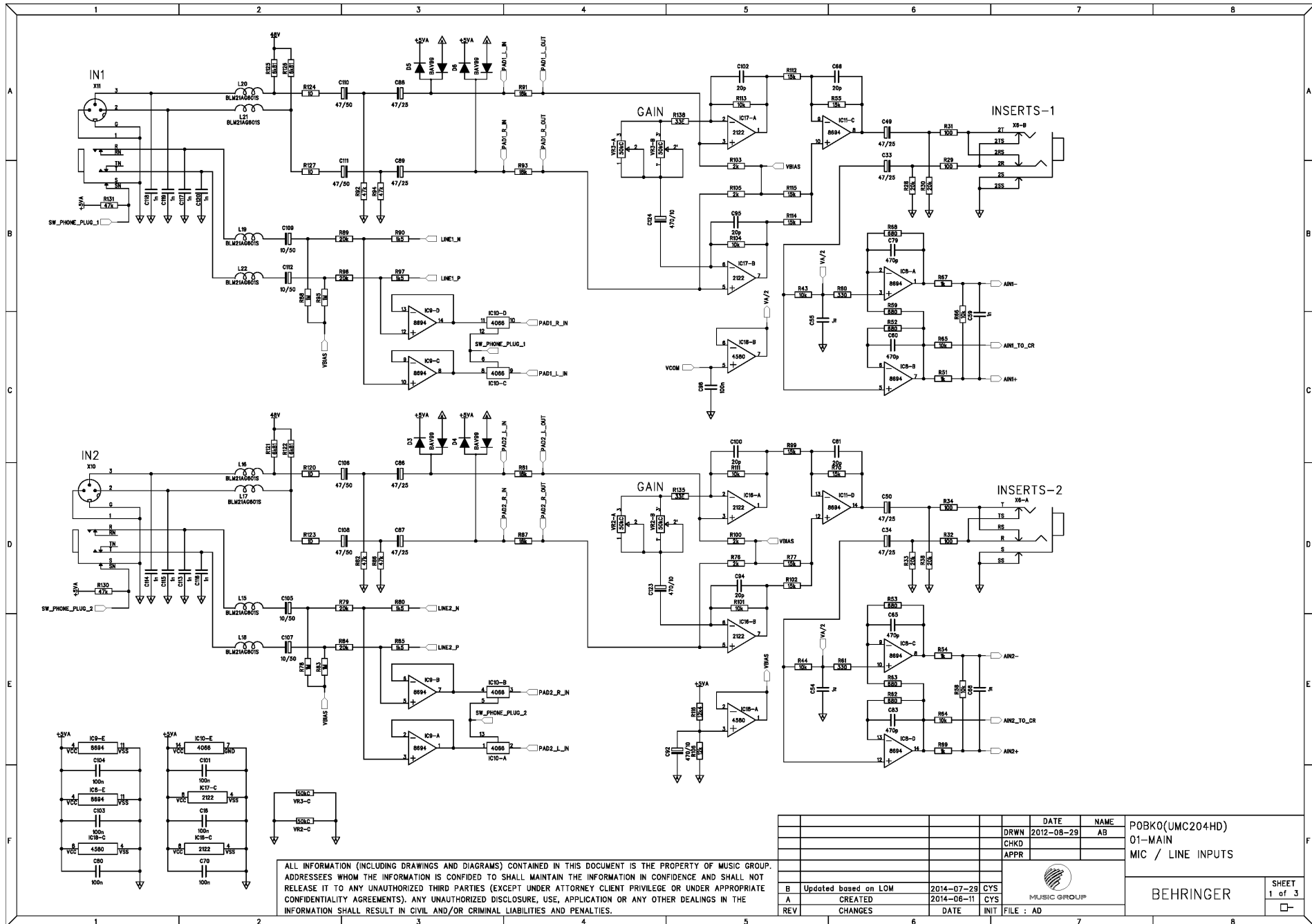
behringer.com

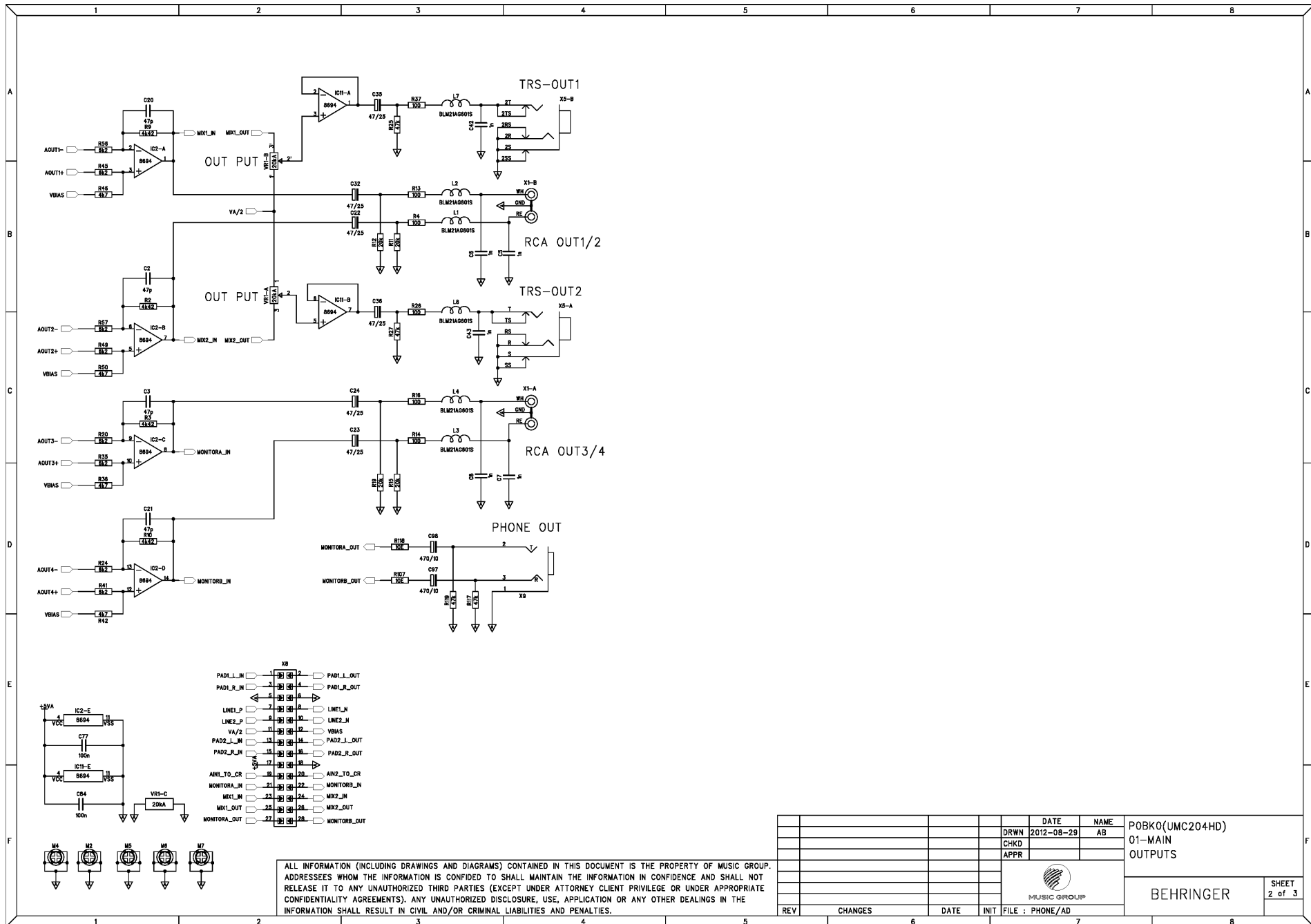


# U-PHORIA UMC204HD

## Specifications

- 2x4 USB 2.0 Audio/MIDI Interface for recording microphones and instruments
- Audiophile 24-Bit/192 kHz resolution for professional audio quality
- Compatible with popular recording software including Avid Pro Tools\*, Ableton Live\*, Steinberg Cubase\*, etc.
- Streams 2 inputs / 4 outputs plus 1x MIDI I/O with ultra-low latency to your computer, supporting Mac\* OS X\* and Windows XP\* or higher
- 2 state-of-the-art, MIDAS designed Mic Preamplifiers with +48 V phantom power
- Analog Inserts for use of external effects such as compressors, etc.
- Zero-latency direct monitoring while recording
- Input/Playback Mix control and Stereo/Mono switch for direct monitoring
- Powerful Phones output with Level control and Monitor A/B source select for DJ-style cueing
- Status, Signal and Clip indications for perfect overview
- USB port for connection and power
- Free audio recording, editing and podcasting software plus 150 instrument/effect plug-ins downloadable at [behringer.com](http://behringer.com)
- "Built-like-a-tank", impact-resistant metal chassis
- 3-Year Warranty Program\*\*
- Conceived and designed by BEHRINGER Germany





ALL INFORMATION (INCLUDING DRAWINGS AND DIAGRAMS) CONTAINED IN THIS DOCUMENT IS THE PROPERTY OF MUSIC GROUP. ADDRESSEES WHOM THE INFORMATION IS CONFIDED TO SHALL MAINTAIN THE INFORMATION IN CONFIDENCE AND SHALL NOT RELEASE IT TO ANY UNAUTHORIZED THIRD PARTIES (EXCEPT UNDER ATTORNEY CLIENT PRIVILEGE OR UNDER APPROPRIATE CONFIDENTIALITY AGREEMENTS). ANY UNAUTHORIZED DISCLOSURE, USE, APPLICATION OR ANY OTHER DEALINGS IN THE INFORMATION SHALL RESULT IN CIVIL AND/OR CRIMINAL LIABILITIES AND PENALTIES.

DRWN	2012-08-29	NAME	POBK0(UMC204HD)
CHKD		AB	01-MAIN
APPR			OUTPUTS
MUSIC GROUP			BEHRINGER
REV	CHANGES	DATE	INIT
			FILE : PHONE/AD
			SHEET 2 of 3



**Hi Pcb Assemblies**

	Quantity	Unit	S.Sku	M.Sku	Description	Reference Designators	Notes
1	1.0000	PC		A05-BK001-00102	PCB ASSEMBLY;POBK0;PCB:1;REV:B;HI;MAIN		
2	1.0000	PC	Q05-BK002-00104	A05-BK002-00104	PCB ASSEMBLY;POBK0;PCB:2;REV:D;HI;FRONT		

**Cable**

	Quantity	Unit	S.Sku	M.Sku	Description	Reference Designators	Notes
1	1.0000	PC	Q71-18004-06054	A71-18004-06054	CABLE;USB2.0;BLACK;UL2725;COLOR:BLACK;LENGTH:1800mm +/-40mm;DIA:4mm;CONNECTORS:USB/B TO USB/A;DOUBLE SHIELDING;MAGNET		

**Capacitor**

	Quantity	Unit	S.Sku	M.Sku	Description	Reference Designators	Notes
1	6.0000	PC			CAP E;470uF;10V;PITCH:2mm5;6mm3 x 11mm;VERTICAL 12.7-15-9mm	[POBK0:1: {6.0}(C92-C97,C98,C122-C124)]	*NOT available in DP
2	2.0000	PC			CAP E;100uF;16V;PITCH:2mm5;5mm x 11mm;VERTICAL 12.7-15-9mm	[POBK0:1: {2.0}(C90-C91)]	*NOT available in DP
3	17.0000	PC			CAP E;47uF;25V;PITCH:2mm5;5mm x 11mm;VERTICAL 12.7-15-9mm	[POBK0:1: {17.0}(C22-C24,C32-C37,C41,C49-C50,C78,C86-C89)]	*NOT available in DP
4	6.0000	PC			CAP E;10uF;50V;PITCH:2mm5;5mm x 11mm;VERTICAL 12.7-15-9mm	[POBK0:1: {6.0}(C10,C44,C105,C107,C109,C112)]	*NOT available in DP
5	4.0000	PC			CAP E;47uF;50V;PITCH:2mm5;6mm x 11mm;VERTICAL 12.7-15-9mm	[POBK0:1: {4.0}(C106,C108,C110-C111)]	*NOT available in DP
6	2.0000	PC			CAP CER;22 uF;10V;X5R;20 %;SMD805	[POBK0:1: {2.0}(C71,C73)]	*NOT available in DP
7	2.0000	PC			CAP CER;4uF;6V3;X5R;10%;SMT805	[POBK0:1: {2.0}(C72,C75)]	*NOT available in DP
8	1.0000	PC			CAP CER;10 uF;6.3 V;X5R;10 %;SMD805;YAGEO (CC85KRX5R68B106)	[POBK0:1: {1.0}(C53)]	*NOT available in DP
9	9.0000	PC			CAP CER;1uF;16V;X7R;10%;SMT805	[POBK0:1: {9.0}(C31,C39,C45,C54-C57,C74,C121)]	*NOT available in DP
10	2.0000	PC			CAP CER;100nF;25V;X7R;10%;SMT805	[POBK0:1: {2.0}(C17,C38)]	*NOT available in DP
11	6.0000	PC			CAP CER;20pF;50V;20%;SMT603	[POBK0:1: {6.0}(C66,C81,C94-C95,C100,C102)]	*NOT available in DP
12	4.0000	PC			CAP CER;22pF;50V;10%;SMT603	[POBK0:1: {4.0}(C18-C19,C27-C28)]	*NOT available in DP
13	4.0000	PC			CAP CER;33pF;50V;5%;COG(NPO);SMT603	[POBK0:1: {4.0}(C51-C52,C61-C62)]	*NOT available in DP
14	4.0000	PC			CAP CER;47pF;50V;5%;COG(NPO);SMT603	[POBK0:1: {4.0}(C2-C3,C20-C21)]	*NOT available in DP
15	4.0000	PC			CAP CER;100pF;50V;20%;SMT603	[POBK0:1: {4.0}(C11,C13-C15)]	*NOT available in DP
16	4.0000	PC			CAP CER;470pF;50V;COG;5%;SMT603	[POBK0:1: {4.0}(C60,C65,C79,C83)]	*NOT available in DP
17	2.0000	PC			CAP CER;10nF;50V;10%;SMT603	[POBK0:1: {2.0}(C1,C85)]	*NOT available in DP
18	26.0000	PC			CAP CER;100nF;50V;10%;SMT603	[POBK0:1: {24.0}(C9,C12,C16,C25-C26,C29-C30,C40,C46-C48,C58,C67,C69-C70,C77,C80,C82,C84,C93,C96,C101,C103-C104)]	*NOT available in DP
19	14.0000	PC			CAP CER;1nF;50V;10%;SMT805	[POBK0:1: {14.0}(C5-C8,C42-C43,C113-C120)]	*NOT available in DP
20	2.0000	PC			CAP CER;1nF;50V;COG;5%;SMD805	[POBK0:1: {2.0}(C59,C68)]	*NOT available in DP
21	1.0000	PC			CAP CER;100nF;50V;X7R;10%;SMT805	[POBK0:1: {1.0}(C99)]	*NOT available in DP
22	1.0000	PC			CAP CER;100nF;100V;X7R;10%;SMD1206	[POBK0:1: {1.0}(C76)]	*NOT available in DP
23	1.0000	PC			CAP E;105C;470 uF;63 V;20 %;13mm x 35mm;PITCH:5 mm;PRE CUT:3mm3+/-0mm3	[POBK0:1: {1.0}(C4)]	*NOT available in DP

**Coil**

	Quantity	Unit	S.Sku	M.Sku	Description	Reference Designators	Notes
1	4.0000	PC	R37-00000-25886	B37-00000-25886	COIL;CHOKE;10 uH;PITCH:5 MM;8.3X7.5;SHIELD	[POBK0:1: {4.0}(L5-L6,L12,L23)]	
2	1.0000	PC		B37-00000-67180	COIL;CHOKE;1mH;10%;PITCH:5 MM;7MM8X8;SHIELD	[POBK0:1: {1.0}(L13)]	
3	1.0000	PC	R37-00000-67182	B37-00000-67182	COIL;CHOKE;220 uH;PITCH:5 MM;8.3X7.5;SHIELD	[POBK0:1: {1.0}(L14)]	
4	2.0000	PC	R37-00000-72708	B37-00000-72708	COIL;4uH7;20%;SMD;2MM5X2X1MM2	[POBK0:1: {2.0}(L10-L11)]	
5	1.0000	PC	R39-00000-03394	B39-00000-03394	COIL;SMD;BEAD;SMD0805;(BLM21BD751SN1D)	[POBK0:1: {1.0}(L9)]	
6	14.0000	PC	R39-26000-21049	B39-26000-21049	COIL;SMD;BEAD;(BLM21AG601S)	[POBK0:1: {14.0}(L1-L4,L7-L8,L15-L22)]	

**Connector**

	Quantity	Unit	S.Sku	M.Sku	Description	Reference Designators	Notes
1	1.0000	PC	R83-20184-37925	B83-20184-37925	CONNECTOR;FEMALE;ANGLED;USB;SINGLE;TYPE:B	[POBK0:1: {1.0}(X2)]	
2	2.0000	PC	R95-00000-19168	B95-00000-19168	CONNECTOR;XLR;12;XLR&6.35 COMBO;RIGHT ANGLE	[POBK0:1: {2.0}(X10-X11)]	

**Diode**

	Quantity	Unit	S.Sku	M.Sku	Description	Reference Designators	Notes
1	4.0000	PC			DIODE;BAV99;SOT23;SMD	[POBK0:1: {4.0}(D3-D6)]	*NOT available in DP
2	1.0000	PC			DIODE;LL4148;LL34;TEMIC OR FC;SMD	[POBK0:1: {1.0}(D2)]	*NOT available in DP
3	1.0000	PC			DIODE;RECTIFIER;80 V;SMD;DO-214AC;SS18	[POBK0:1: {1.0}(D7)]	*NOT available in DP
4	1.0000	PC			DIODE;5 V;RCLAMP0502B;SOT-523	[POBK0:1: {1.0}(D1)]	*NOT available in DP

**Hardware**

	Quantity	Unit	S.Sku	M.Sku	Description	Reference Designators	Notes
1	0.2000	G			SCREWLOCK;SPEC.NO:01090		*NOT available in DP
2	4.0000	PC		F87-00000-81982	RUBBER;BLACK;POAUY;RUBBER FOOT		
3	4.0000	PC			SCREW;A;DIA:3 MM;LEN:10 MM;CHEESE;OD:5.5 MM;NICKEL;SILVER/WHITE;HEXAGON REC.;POB31-XLR-SCREW-REVA		*NOT available in DP
4	4.0000	PC			SCREW;M3mm*6mm;HEAD:PAN;INSERT:PHILIPS REC.;SURFACE:SILVER/ZINC		*NOT available in DP
5	1.0000	PC			SCREW;BT3mm*8mm;HEAD:PAN;INSERT:PHILLIPS REC.;SURFACE:BLACK/ZINC		*NOT available in DP
6	3.0000	PC			SCREW;M3mm*12mm;PITCH:0mm5;HEAD:FLAT;DIA:5mm2;INSERT:PHILIPS REC.;SURFACE:BLACK/ZINC		*NOT available in DP
7	1.0000	PC			SILICA GEL;MASS;10g;SPEC.NO:10QB-BB2001-4		*NOT available in DP
8	2.0000	PC			STUD;3 MM;15.4 MM;0.5 MM;THREAD-DIA;3mm;LENGTH:15.4mm		*NOT available in DP
9	1.0000	PC		F97-00000-66461	INSULATION SHEET;BLACK;POAUY INSULATION PC SHEET		
10	1.0000	PC		F97-32000-26356	SHEET 2;SLIDE-SWITCH;PVC;BLACK;DWG.NO:26356;(PVC SHEET2-REVA.DWG)		
11	3.0000	PC			SCREW;M3mm*6mm;PITCH:0mm5;HEAD:FLAT;DIA:4mm5;INSERT:PHILIPS REC.;SURFACE:BLACK/ZINC		*NOT available in DP

Ic

	Quantity	Unit	S.Sku	M.Sku	Description	Reference Designators	Notes
1	2.0000	PC	S61-00000-67158	C61-00000-67158	IC:POWER AMP;SMD;DMP8;NUM2122M	[POBK0:1: {2.0}(IC16-IC17)]	
2	1.0000	PC		C73-00000-29050	IC:OPAMP;SMD;SOP;8;BA4580RF	[POBK0:1: {1.0}(IC18)]	
3	6.0000	PC	S73-72869-42214	C73-72869-42214	IC:OPAMP;AD8694ARZ;SOIC	[POBK0:1: {4.0}(IC2,IC8-IC9,IC11)]	
4	1.0000	PC	S74-00000-67162	C74-00000-67162	IC:POWER-CONVERSION;SMD;MSOP;8;LM3488	[POBK0:1: {1.0}(IC15)]	
5	1.0000	PC	S77-00000-67136	C77-00000-67136	IC;VOLT.REGULATOR;SMD;SOT223;5;TPS73201DCQR	[POBK0:1: {1.0}(IC19)]	
6	1.0000	PC	S77-00128-03001	C77-00128-03001	IC;VOLT.REGULATOR;ADJUSTABLE;SOT223;NCP1117STAT3;SMD	[POBK0:1: {1.0}(IC4)]	
7	1.0000	PC	T10-00000-18827	D10-00000-18827	IC;ASIC;MSOP;10;CS2000CP-CZZR	[POBK0:1: {1.0}(IC7)]	
8	1.0000	PC	T10-00000-67135	D10-00000-67135	IC;ASIC;SMD;FBGA;96;XS1-U8A-64-FB96-C5	[POBK0:1: {1.0}(IC6)]	
9	1.0000	PC	T19-00074-05121	D19-00074-05121	IC;FLASH MEMORY;W25X40CLSNIG;SMD;SOIC-8	[POBK0:1: {1.0}(IC12)]	
10	1.0000	PC	T22-00000-18232	D22-00000-18232	IC;LOGIC;5;74LVC1G07GV;SOT753;SMD	[POBK0:1: {1.0}(IC1)]	
11	1.0000	PC	T22-00000-22371	D22-00000-22371	IC;LOGIC;SOT-353;SINGLE GATE 3-STATE BUFFER;SN74LVC1G125DCK;SMD	[POBK0:1: {1.0}(IC14)]	
12	1.0000	PC	T28-54427-10628	D28-54427-10628	IC;DIGITAL AUDIO;CS4271;AUDIO CODEC;TSSOP28	[POBK0:1: {1.0}(IC5)]	
13	1.0000	PC	T28-54427-20628	D28-54427-20628	IC;DIGITAL AUDIO;CS4272;AUDIO CODEC;TSSOP28	[POBK0:1: {1.0}(IC13)]	
14	1.0000	PC	T30-82406-60514	D30-82406-60514	IC;SWITCH/MUPLEX;CD4066;SOP	[POBK0:1: {1.0}(IC10)]	
15	1.0000	PC		D33-00001-14857	IC;FLASH MEMORY;W25X40CLSNIG;SMD;SOIC-8;POBK0 V1.12	[POBK0:1: {1.0}(IC12)]	

Led

	Quantity	Unit	S.Sku	M.Sku	Description	Reference Designators	Notes
1	1.0000	PC	U10-00000-04901	E10-00000-04901	LED HIB;3mm0 ROUND;AMBER;BULK;W/RING	[POBK0:1: {1.0}(LD1)]	
2	3.0000	PC	U10-53565-00588	E10-53565-00588	LED HIB;3mm ROUND;GREEN	[POBK0:1: {3.0}(LD6-LD8)]	
3	4.0000	PC		E12-57620-05882	LED;3mm ROUND;RD;WAVELENGTH :630~645nm;Vf:1.8~2.6V;LUMINOUS INTENSITY:lv:80mcd-140mcd	[POBK0:1: {4.0}(LD2-LD5)]	

Metal Part

	Quantity	Unit	S.Sku	M.Sku	Description	Reference Designators	Notes
1	1.0000	PC		J00-00001-04943	METAL;PANEL;POBK0;MATERIAL:SECC 1.2mm;BLANKING + PUNCHING;SPRAYING;BLACK;REAR;A001		
2	1.0000	PC		J02-00000-71455	METAL;CASE;POAU;AL 6063 T5;SAND BLASTING;EXTRUSION, CUTTING;ANODIZING;BROWN METALLIC DARK;A001		

Plastic Part

	Quantity	Unit	S.Sku	M.Sku	Description	Reference Designators	Notes
1	6.0000	PC		G52-00000-68561	PLASTIC;POAU;ABS PA757;BUTTON;INJECTION;SPRAYING;SILVER;FUNCTION BUTTON		
2	5.0000	PC	W52-00000-75036	G52-00000-75036	PLASTIC;KNOB;POAU;ABS PA757;BLACK;ROTATORY KNOB REV.A		
3	1.0000	PC		G58-00000-66309	PLASTIC;POAU;ABS;PANEL;INJECTION;SILVER;POAU-FRONT-PANEL-REVA		
4	4.0000	PC	W58-00300-08619	G58-00300-08619	PLASTIC;SPACER;PC;MOULDING;BLACK;3MM VERTICAL;DST.NO:003;DPT.NO:08619;(I00129P-LED_SPACER-REVC.DWG)	[POBK0:1: {4.0}(M10-M13)]	
5	1.0000	PC		I64-00001-04940	PLASTIC;LENS;POBK0;PC;PUNCHING;OVERLAY;A001		



**Plug Socket**

	Quantity	Unit	S.Sku	M.Sku	Description	Reference Designators	Notes
1	2.0000	PC	W64-00000-15616	G64-00000-15616	PLUG;PHONE JACK;2 WAY;ADD GLUE;PJ-638WAX2	[POBK0:1: {2.0}{X5-X6}]	
2	1.0000	PC	W64-01081-03178	G64-01081-03178	PLUG;PCB;PLUG;JACK;ANG.PCB.;JYE TAI;W/MET.RNG.;PLA.BUSH.;(JY-6313-01-030)	[POBK0:1: {1.0}{X9}]	
3	1.0000	PC		G68-00000-67187	PLUG;RCA;4 POLES;ROWS:2;SHIELD;RCA-407A	[POBK0:1: {1.0}{X1}]	
4	1.0000	PC		G71-00000-67208	PIN HEAD;28;ROWS:2;STRAIGHT;PITCH:2MM54;10MM5HIGH	[POBK0:2: {1.0}{X1}]	
5	1.0000	PC		G71-00000-67209	PCB SOCKET;PIN SOCKET;28;ROWS:2;STRAIGHT;PITCH:2MM54	[POBK0:1: {1.0}{X8}]	
6	2.0000	PC	W76-10580-03132	G76-10580-03132	PLUG;DIN;PLUG;FEMALE;POLES:5;ANGLED	[POBK0:1: {2.0}{X3-X4}]	

**Quarz**

	Quantity	Unit	S.Sku	M.Sku	Description	Reference Designators	Notes
1	2.0000	PC	X65-00000-36991	H65-00000-36991	QUARZ;RESONATOR;24 MHz;8pF;SMD;SIZE:5X3.2	[POBK0:1: {2.0}{Q1-Q2}]	

Resistor

	Quantity	Unit	S.Sku	M.Sku	Description	Reference Designators	Notes
1	1.0000	PC			RESISTOR;METAL;620 ohm;1 %;SMD603;THICK FILM	[POBKO:1: {1.0}(R108)]	*NOT available in DP
2	1.0000	PC			RESISTOR;CARBON;0ohm;5%;0W063;SMD603	[POBKO:1: {1.0}(R39)]	*NOT available in DP
3	6.0000	PC			RESISTOR;CARBON;100ohm;5%;0W063;SMD603	[POBKO:1: {6.0}(R29,R31-R32,R34,R47-R48)]	*NOT available in DP
4	3.0000	PC			RESISTOR;CARBON;150ohm;5%;0W063;SMD603	[POBKO:1: {3.0}(R6-R8)]	*NOT available in DP
5	3.0000	PC			RESISTOR;CARBON;330ohm;5%;0W063;SMD603	[POBKO:1: {3.0}(R145,R147-R148)]	*NOT available in DP
6	3.0000	PC			RESISTOR;CARBON;470ohm;5%;0W063;SMD603	[POBKO:1: {1.0}(R23)]	*NOT available in DP
7	3.0000	PC			RESISTOR;CARBON;1Kohm;5%;0W063;SMD603	[POBKO:1: {3.0}(R142-R143,R146)]	*NOT available in DP
8	2.0000	PC			RESISTOR;CARBON;1Kohm8;5%;0W063;SMD603	[POBKO:1: {2.0}(R141,R144)]	*NOT available in DP
9	2.0000	PC			RESISTOR;CARBON;4Kohm7;5%;0W063;SMD603	[POBKO:1: {2.0}(R18,R40)]	*NOT available in DP
10	6.0000	PC			RESISTOR;CARBON;10Kohm;5%;0W063;SMD603	[POBKO:1: {6.0}(R5,R71-R72,R149-R151)]	*NOT available in DP
11	8.0000	PC			RESISTOR;CARBON;20Kohm;5%;0W063;SMD603	[POBKO:1: {8.0}(R11-R12,R15,R19,R28,R30,R33,R38)]	*NOT available in DP
12	6.0000	PC			RESISTOR;CARBON;47Kohm;5%;0W063;SMD603	[POBKO:1: {6.0}(R25,R27,R117,R119,R130-R131)]	*NOT available in DP
13	1.0000	PC			RESISTOR;CARBON;150Kohm;5%;0W063;SMD603	[POBKO:1: {1.0}(R98)]	*NOT available in DP
14	4.0000	PC			RESISTOR;METAL;20ohm;1%;0W063;SMD603	[POBKO:2: {4.0}(R1-R2,R4-R5)]	*NOT available in DP
15	2.0000	PC			RESISTOR;METAL;33ohm;1%;0W063;SMD603	[POBKO:1: {2.0}(R135,R138)]	*NOT available in DP
16	2.0000	PC			RESISTOR;METAL;100ohm;1%;0W063;SMD603	[POBKO:2: {2.0}(R12-R13)]	*NOT available in DP
17	6.0000	PC			RESISTOR;METAL;680ohm;1%;0W063;SMD603	[POBKO:1: {6.0}(R52-R53,R59,R62-R63,R68)]	*NOT available in DP
18	4.0000	PC			RESISTOR;METAL;1Kohm;1%;0W063;SMD603	[POBKO:1: {4.0}(R51,R54,R67,R69)]	*NOT available in DP
19	4.0000	PC			RESISTOR;METAL;1Kohm50;1%;0W063;SMD603	[POBKO:1: {4.0}(R80,R85,R90,R97)]	*NOT available in DP
20	2.0000	PC			RESISTOR;METAL;1Kohm80;1%;0W063;SMD603	[POBKO:2: {2.0}(R8,R11)]	*NOT available in DP
21	4.0000	PC			RESISTOR;METAL;2Kohm;1%;0W063;SMD603	[POBKO:1: {4.0}(R76,R100,R103,R105)]	*NOT available in DP
22	4.0000	PC			RESISTOR;METAL;4Kohm42;1%;0W063;SMD603	[POBKO:1: {4.0}(R2-R3,R9-R10)]	*NOT available in DP
23	4.0000	PC			RESISTOR;METAL;4Kohm7;1%;0W063;SMD603	[POBKO:1: {4.0}(R36,R42,R46,R50)]	*NOT available in DP
24	16.0000	PC			RESISTOR;METAL;10Kohm;1%;0W063;SMD603	[POBKO:1: {12.0}(R43-R44,R58,R64-R66,R101,R104,R111,R113,R132-R133)]	*NOT available in DP
25	1.0000	PC			RESISTOR;METAL;12Kohm;1%;0W063;SMD603	[POBKO:1: {1.0}(R106)]	*NOT available in DP
26	1.0000	PC			RESISTOR;METAL;12Kohm4;1%;0W063;SMD603	[POBKO:1: {1.0}(R116)]	*NOT available in DP
27	8.0000	PC			RESISTOR;METAL;15Kohm;1%;0W063;SMD603	[POBKO:1: {8.0}(R55,R70,R77,R99,R102,R112,R114-R115)]	*NOT available in DP
28	4.0000	PC			RESISTOR;METAL;18Kohm;1%;0W063;SMD603	[POBKO:1: {4.0}(R81,R87,R91,R93)]	*NOT available in DP
29	4.0000	PC			RESISTOR;METAL;20Kohm;1%;0W063;SMD603	[POBKO:1: {4.0}(R79,R84,R89,R96)]	*NOT available in DP
30	1.0000	PC			RESISTOR;METAL;27Kohm4;1%;0W063;SMD603	[POBKO:1: {1.0}(R134)]	*NOT available in DP
31	4.0000	PC			RESISTOR;METAL;47Kohm;1%;0W063;SMD603	[POBKO:1: {4.0}(R82,R86,R92,R94)]	*NOT available in DP
32	1.0000	PC			RESISTOR;METAL;162Kohm;1%;0W063;SMD603	[POBKO:1: {1.0}(R74)]	*NOT available in DP
33	8.0000	PC			RESISTOR;METAL;6Kohm20;1%;0W063;SMD603	[POBKO:1: {8.0}(R20,R24,R35,R41,R45,R49,R56-R57)]	*NOT available in DP
34	4.0000	PC			RESISTOR;METAL;1Mohm;1%;0W063;SMD603	[POBKO:1: {4.0}(R78,R83,R88,R95)]	*NOT available in DP
35	2.0000	PC			RESISTOR;CARBON;10ohm;5%;0W1;SMD805	[POBKO:1: {2.0}(R107,R118)]	*NOT available in DP
36	6.0000	PC			RESISTOR;CARBON;100ohm;5%;0W1;SMD805	[POBKO:1: {6.0}(R4,R13-R14,R16,R26,R37)]	*NOT available in DP
37	1.0000	PC			RESISTOR;CARBON;47Kohm;5%;0W1;SMD805	[POBKO:1: {1.0}(R1)]	*NOT available in DP
38	1.0000	PC			RESISTOR;METAL;120ohm;1%;0W1;SMD805	[POBKO:1: {1.0}(R17)]	*NOT available in DP
39	1.0000	PC			RESISTOR;METAL;200ohm;1%;0W1;SMD805	[POBKO:1: {1.0}(R22)]	*NOT available in DP
40	2.0000	PC			RESISTOR;METAL;11Kohm;1%;0W1;SMD805	[POBKO:1: {2.0}(R73,R75)]	*NOT available in DP
41	6.0000	PC			RESISTOR;CARBON;10Kohm;5%;0W25;SMD1206	[POBKO:1: {6.0}(R128-R129,R136-R137,R139-R140)]	*NOT available in DP
42	2.0000	PC			RESISTOR;METAL;1ohm;1%;0W25;SMD1206	[POBKO:1: {2.0}(R109-R110)]	*NOT available in DP
43	4.0000	PC			RESISTOR;METAL;10ohm;1%;0W25;SMD1206	[POBKO:1: {4.0}(R120,R123-R124,R127)]	*NOT available in DP
44	4.0000	PC			RESISTOR;METAL;6kohm81;1%;METAL;0W25;SMD1206	[POBKO:1: {4.0}(R121-R122,R125-R126)]	*NOT available in DP

	Quantity	Unit	S.Sku	M.Sku	Description	Reference Designators	Notes
45	2.0000	PC			RESISTOR;METAL;330ohm;1%;METAL;0W0625;SMD603	[POBK0:1: {2.0}{R60-R61}]	*NOT available in DP

**Potentiometer**

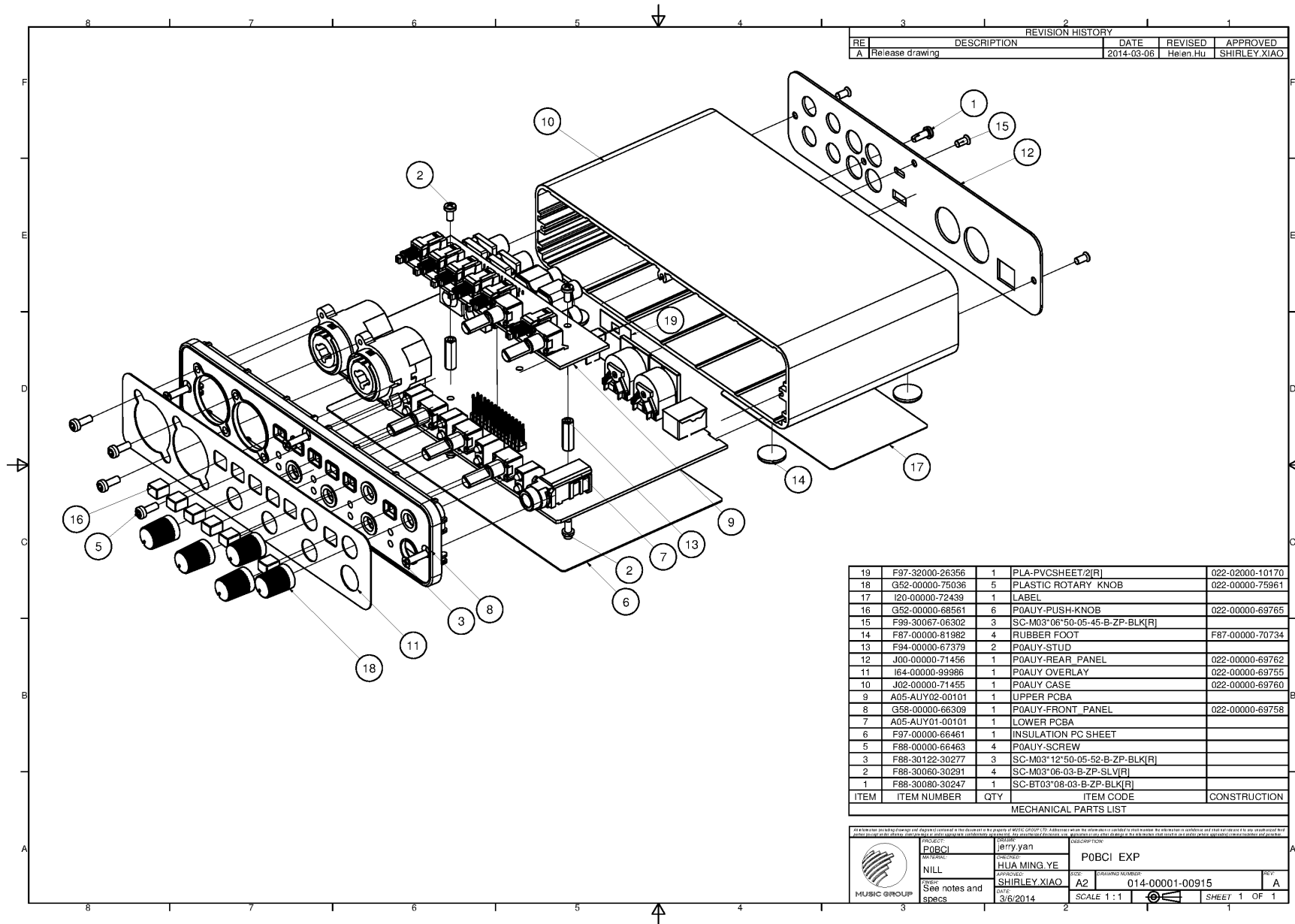
	Quantity	Unit	S.Sku	M.Sku	Description	Reference Designators	Notes
1	2.0000	PC	Y03-00000-67183	I03-00000-67183	POTENTIOMETER;50 kohm;05C;STEREO;METAL SHAFT;20MM;HORIZONTAL;NO NUT AND WASHER;0CC;30gf~70gf;SOUNDWELL	[POBK0:1: {2.0}{VR2-VR3}]	
2	2.0000	PC	Y03-00000-67185	I03-00000-67185	POTENTIOMETER;20 kohm;A;STEREO;METAL SHAFT;20MM;HORIZONTAL;NO NUT AND WASHER;0CC;30gf~70gf;SOUNDWELL	[POBK0:1: {1.0}{VR1}]	
3	1.0000	PC	Y03-00000-67186	I03-00000-67186	POTENTIOMETER;20 kohm;0B;STEREO;METAL SHAFT;20MM;HORIZONTAL;NO NUT AND WASHER;0CC;30gf~70gf;SOUNDWELL	[POBK0:2: {1.0}{VR2}]	

**Switch**

	Quantity	Unit	S.Sku	M.Sku	Description	Reference Designators	Notes
1	6.0000	PC	Y82-01422-19471	I82-01422-19471	SWITCH;PUSH;2P2T;PCB VERSION;LOCKING;NONSHORT;ALPS;SPUJ19256A	[POBK0:2: {6.0}{SW1-SW6}]	
2	1.0000	PC	Y86-00422-29813	I86-00422-29813	SWITCH;SLIDE;2P2T;PCB VERSION;LOCKING;NONSHORT;WEALTH SK-22F03-G4 NS	[POBK0:1: {1.0}{SW1}]	

**Transistor**

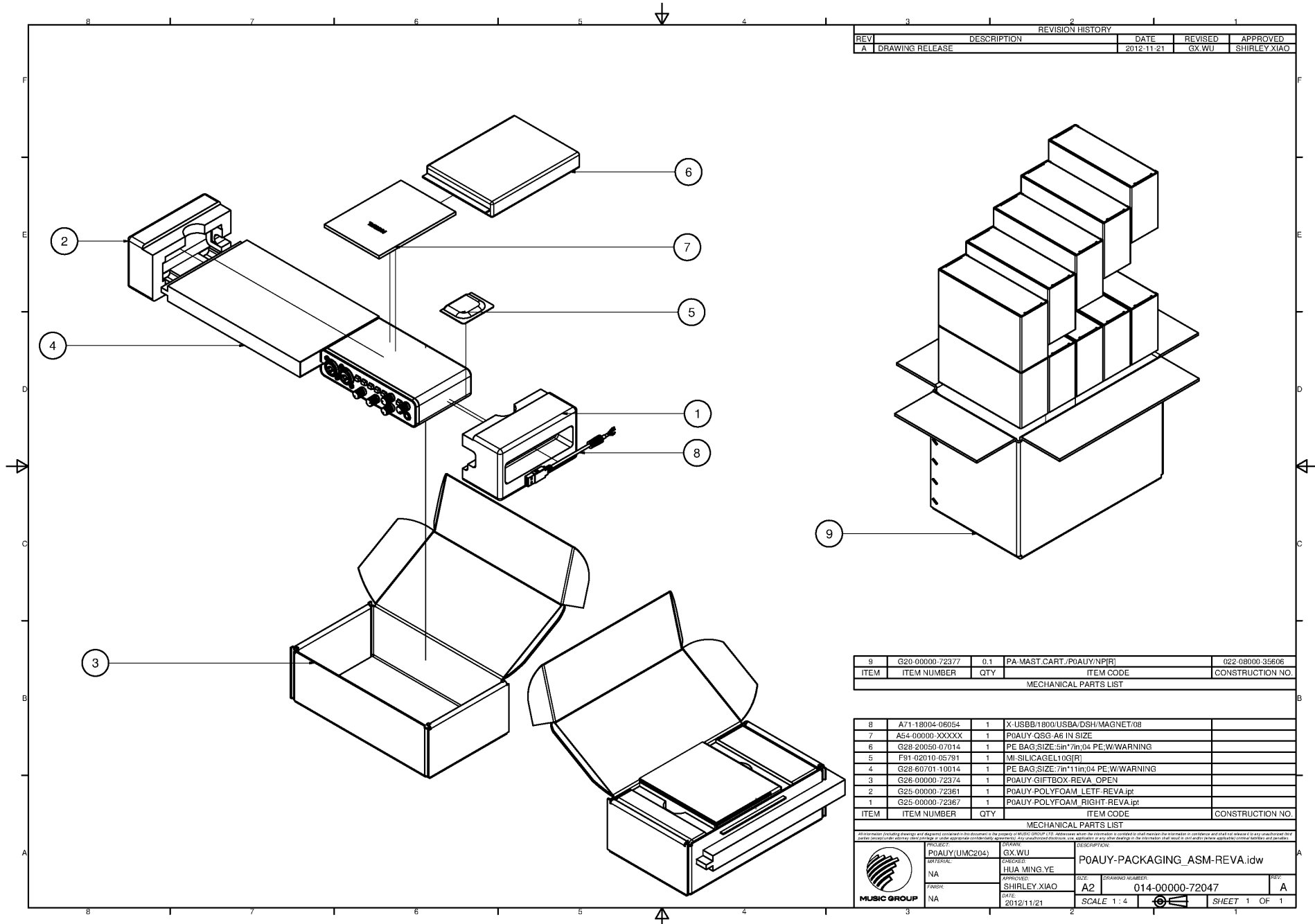
	Quantity	Unit	S.Sku	M.Sku	Description	Reference Designators	Notes
1	1.0000	PC			TRANSISTOR;SMD;TO-252AA;3;IRFR024N	[POBK0:1: {1.0}{T2}]	*NOT available in DP
2	6.0000	PC			TRANSISTOR;NDS7002A;SOT	[POBK0:1: {6.0}{T3-T8}]	*NOT available in DP
3	1.0000	PC			TRANSISTOR;BC856B;SOT;SMD	[POBK0:1: {1.0}{T1}]	*NOT available in DP



REVISION HISTORY				
RE	DESCRIPTION	DATE	REVISED	APPROVED
A	Release drawing	2014-03-06	Heien Hu	SHIRLEY XIAO

19	F97-32000-26356	1	PLA-PVCSHEET/2[R]	022-02000-10170
18	G52-00000-75036	5	PLASTIC ROTARY KNOB	022-00000-75961
17	I20-00000-72439	1	LABEL	
16	G52-00000-68561	6	P0AUY-PUSH-KNOB	022-00000-69765
15	F99-30067-06302	3	SC-M03*06*50-05-45-B-ZP-BLK[R]	
14	F87-00000-81962	4	RUBBER FOOT	F87-00000-70734
13	F94-00000-67379	2	P0AUY-STUD	
12	J00-00000-71456	1	P0AUY-REAR PANEL	022-00000-69762
11	I64-00000-99986	1	P0AUY OVERLAY	022-00000-69755
10	J02-00000-71455	1	P0AUY CASE	022-00000-69760
9	A05-AUY02-00101	1	UPPER PCBA	
8	G58-00000-66309	1	P0AUY-FRONT PANEL	022-00000-69758
7	A05-AUY01-00101	1	LOWER PCBA	
6	F97-00000-66461	1	INSULATION PC SHEET	
5	F88-00000-66463	4	P0AUY-SCREW	
3	F88-30122-30277	3	SC-M03*12*50-05-52-B-ZP-BLK[R]	
2	F88-30060-30291	4	SC-M03*06-03-B-ZP-SLV[R]	
1	F88-30080-30247	1	SC-BT03*08-03-B-ZP-BLK[R]	
ITEM	ITEM NUMBER	QTY	ITEM CODE	CONSTRUCTION

MECHANICAL PARTS LIST			
<small>All dimensions are in millimeters unless otherwise specified. Dimensions in parentheses are for reference only. Dimensions in inches are for reference only. Dimensions in millimeters are for reference only. Dimensions in inches are for reference only. Dimensions in millimeters are for reference only. Dimensions in inches are for reference only.</small>			
PROJECT:	DESIGNER:	DESCRIPTION:	
P0BCI	Jerry Yan	P0BCI EXP	
DATE:	APPROVED:	SCALE:	DRAWING NUMBER:
NILL	HUA MING YE	A2	014-00001-00915
DATE:	DATE:	SCALE:	SHEET
See notes and specs	3/6/2014	1:1	1 OF 1



REVISION HISTORY				
REV	DESCRIPTION	DATE	REVISED	APPROVED
A	DRAWING RELEASE	2012-11-21	GX.WU	SHIRLEY.XIAO

ITEM	ITEM NUMBER	QTY	ITEM CODE	CONSTRUCTION NO.
9	G20-00000-72377	0.1	PA-MAST.CART./P0AUY/NP[R]	022-08000-35606

ITEM	ITEM NUMBER	QTY	ITEM CODE	CONSTRUCTION NO.
8	A71-18004-06054	1	X-USB/1800/USBA/DSH/MAGNET/08	
7	A54-00000-XXXXX	1	P0AUY-GSG-A6 IN SIZE	
6	G28-20050-07014	1	PE BAG;SIZE:5in*7in;04 PE,W/WARNING	
5	F91-02010-05791	1	MI-SILICAGEL10G[R]	
4	G28-60701-10014	1	PE BAG;SIZE:7in*11in;04 PE,W/WARNING	
3	G26-00000-72374	1	P0AUY-GIFTBOX-REVA OPEN	
2	G25-00000-72361	1	P0AUY-POLYFOAM LEFT-REVA.ipt	
1	G25-00000-72367	1	P0AUY-POLYFOAM RIGHT-REVA.ipt	

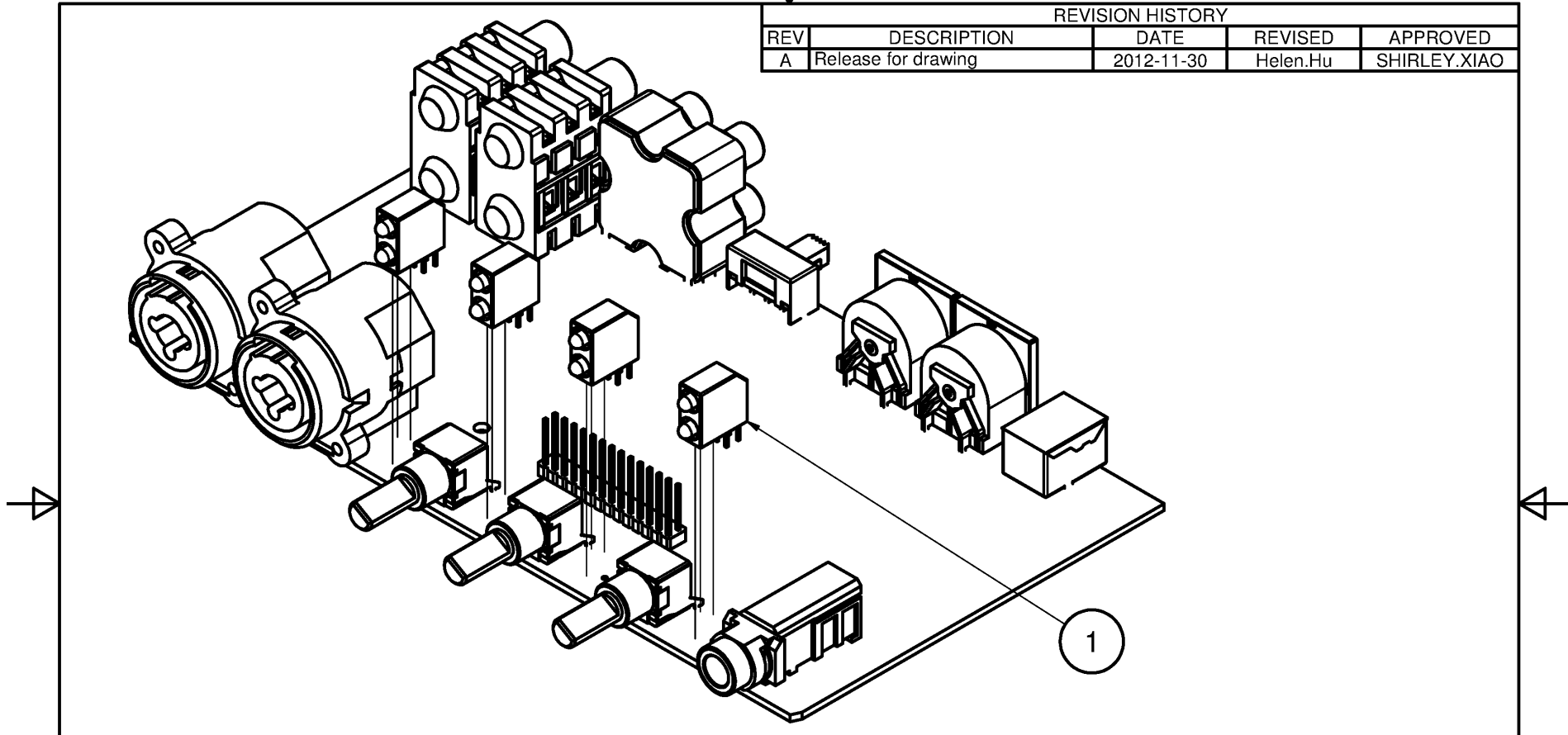
MECHANICAL PARTS LIST

PROJECT: P0AUY(UMC204)	DRAWN: GX.WU	DESCRIPTION: P0AUY-PACKAGING_ASM-REVA.idw
DATE: NA	CHECKED: HUA MING.YE	SIZE: A2
APPROVED: SHIRLEY.XIAO	DATE: 2012/11/21	DRAWING NUMBER: 014-00000-72047
FINISH: NA		SCALE: 1:4

MUSIC GROUP SHEET 1 OF 1





REVISION HISTORY				
REV	DESCRIPTION	DATE	REVISED	APPROVED
A	Release for drawing	2012-11-30	Helen.Hu	SHIRLEY.XIAO



1	G58-00200-06133	4	PLA-I00129P/LEDSPACER[R]	022-02000-36113
ITEM	ITEM NUMBER	QTY	ITEM CODE	CONSTRUCTION NO.

MECHANICAL PARTS LIST

All information (including drawings and diagrams) contained in this document is the property of MUSIC GROUP LTD. Addresseees whom the information is confided to shall maintain the information in confidence and shall not release it to any unauthorized third parties (except under attorney client privilege or under appropriate confidentiality agreements). Any unauthorized disclosure, use, application or any other dealings in the information shall result in civil and/or (where applicable) criminal liabilities and penalties.

 <b>MUSIC GROUP</b>	PROJECT: P0AU Y	DRAWN: helen.hu	DESCRIPTION: LOWER PCBA EXP	
	MATERIAL: NIL	CHECKED: HUA MING.YE	SIZE: A4	DRAWING NUMBER: 014-00000-73187
	FINISH: See notes and specs	APPROVED: SHIRLEY.XIAO	SCALE 1 : 1	REV: A
	DATE: 11/28/2012			SHEET 1 OF 1





We Hear You