



Service Manual

Created: 21 August 2015



U-PHORIA UMC202HD

**Audiophile 2x2, 24-Bit/192 kHz USB Audio Interface
with MIDAS Mic Preamplifiers**

Specifications	2
PCB Schematic	3
Parts List	7
Exploded Drawing	13

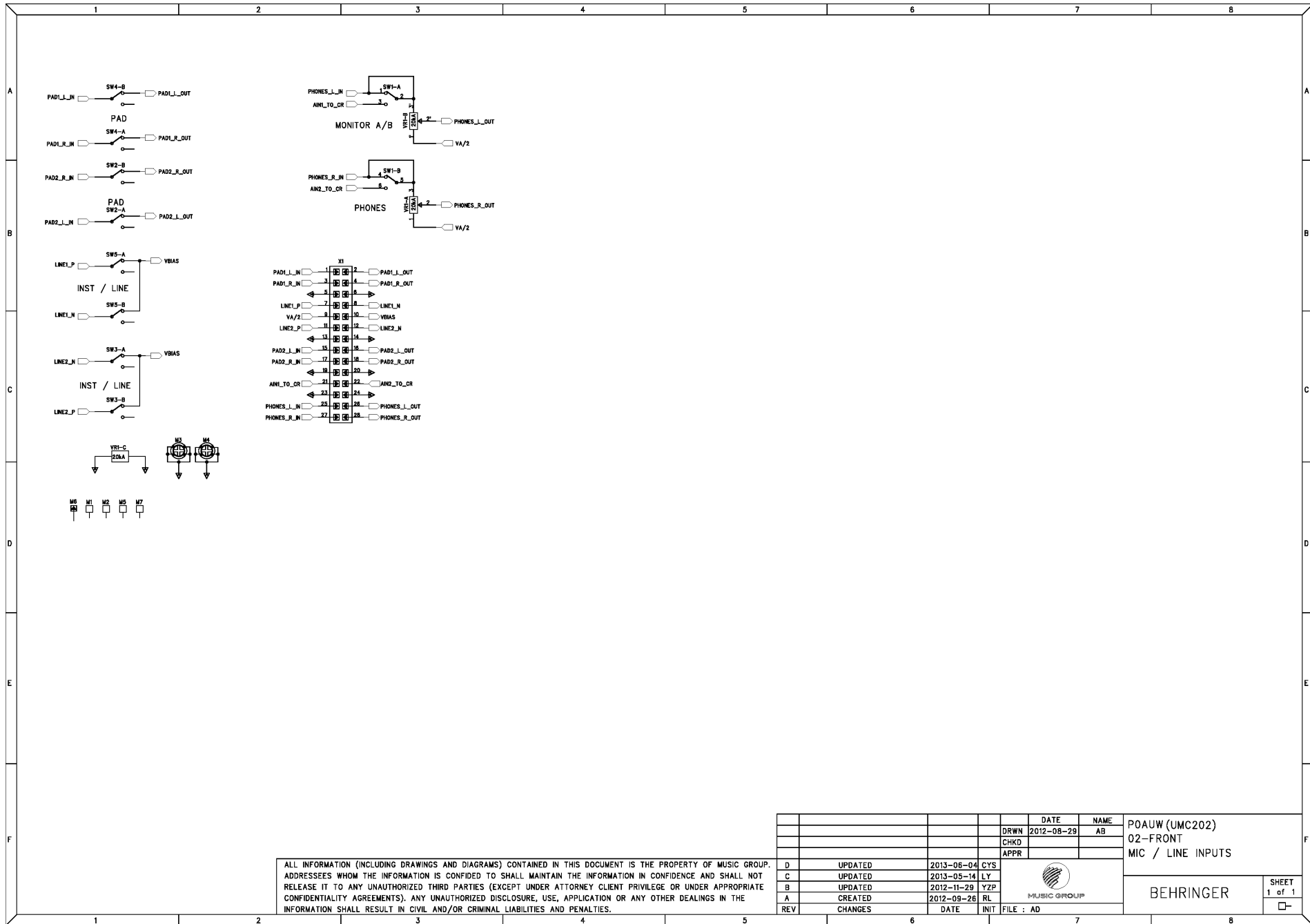
behringer.com



U-PHORIA UMC202HD


Specifications

- 2x2 USB 2.0 audio interface for recording microphones and instruments
- Audiophile 24-Bit/192 kHz resolution for professional audio quality
- Compatible with popular recording software including Avid Pro Tools*, Ableton Live*, Steinberg Cubase*, etc.
- Streams 2 inputs / 2 outputs with ultra-low latency to your computer, supporting Mac* OS X* and Windows XP* or higher
- 2 state-of-the-art, MIDAS designed Mic Preamplifiers with +48 V phantom power
- Zero-latency direct monitoring while recording
- Powerful Phones output with Level control and Direct Monitor select
- Status, Signal and Clip indications for perfect overview
- USB port for connection and power
- Free audio recording, editing and podcasting software plus 150 instrument/effect plug-ins downloadable at behringer.com
- "Built-like-a-tank", impact-resistant metal chassis
- 3-Year Warranty Program**
- Conceived and designed by BEHRINGER Germany

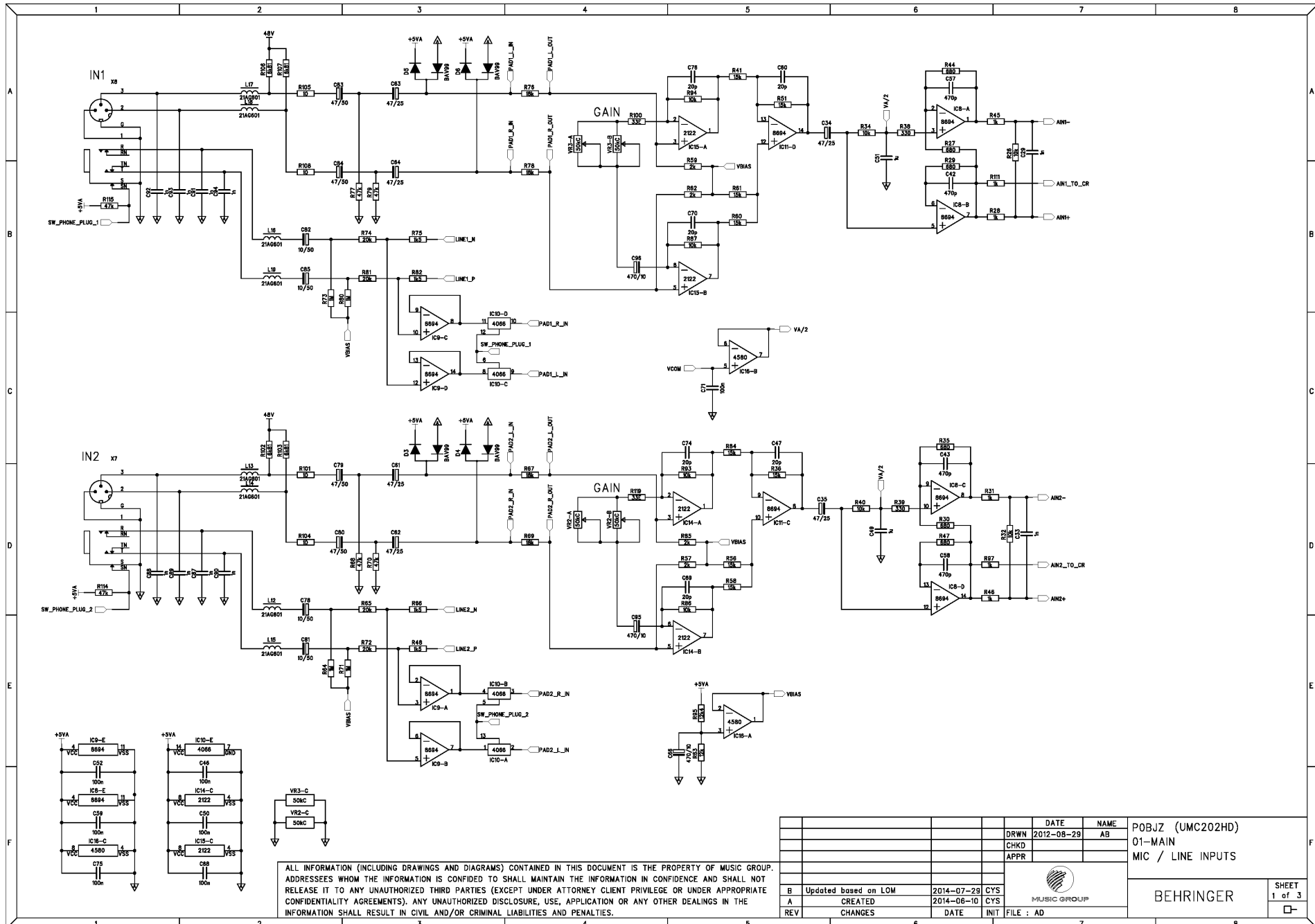


ALL INFORMATION (INCLUDING DRAWINGS AND DIAGRAMS) CONTAINED IN THIS DOCUMENT IS THE PROPERTY OF MUSIC GROUP. ADDRESSEES WHOM THE INFORMATION IS CONFIDED TO SHALL MAINTAIN THE INFORMATION IN CONFIDENCE AND SHALL NOT RELEASE IT TO ANY UNAUTHORIZED THIRD PARTIES (EXCEPT UNDER ATTORNEY CLIENT PRIVILEGE OR UNDER APPROPRIATE CONFIDENTIALITY AGREEMENTS). ANY UNAUTHORIZED DISCLOSURE, USE, APPLICATION OR ANY OTHER DEALINGS IN THE INFORMATION SHALL RESULT IN CIVIL AND/OR CRIMINAL LIABILITIES AND PENALTIES.

REV	CHANGES	DATE	INIT	FILE : AD
D	UPDATED	2013-06-04	CYS	
C	UPDATED	2013-05-14	LY	
B	UPDATED	2012-11-29	YZP	
A	CREATED	2012-09-26	RL	

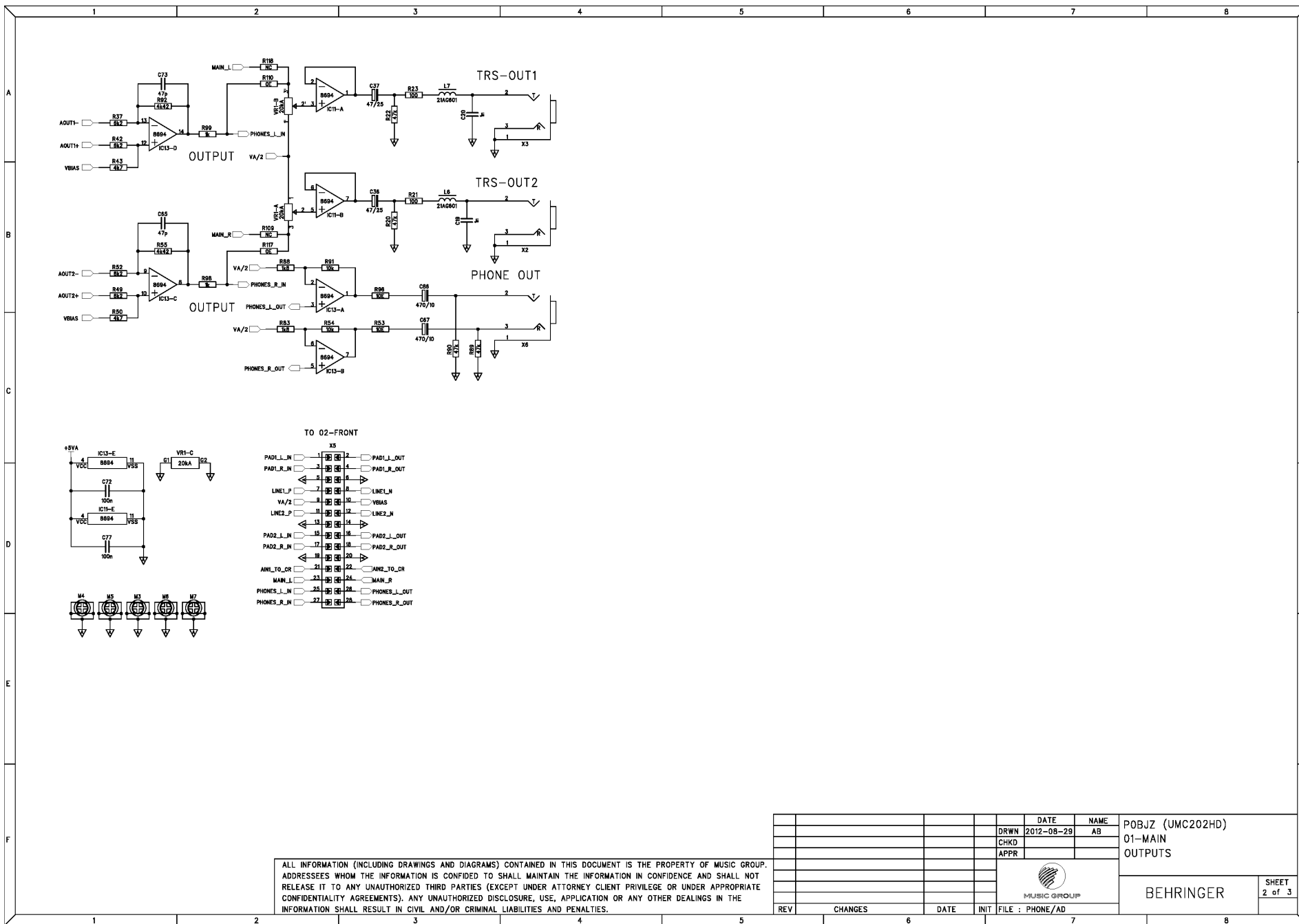
DATE	NAME	 MUSIC GROUP	POAUW (UMC202) 02-FRONT MIC / LINE INPUTS
2012-08-29	AB		

BEHRINGER	SHEET 1 of 1
-----------	--------------



ALL INFORMATION (INCLUDING DRAWINGS AND DIAGRAMS) CONTAINED IN THIS DOCUMENT IS THE PROPERTY OF MUSIC GROUP. ADDRESSEES WHOM THE INFORMATION IS CONFIDED TO SHALL MAINTAIN THE INFORMATION IN CONFIDENCE AND SHALL NOT RELEASE IT TO ANY UNAUTHORIZED THIRD PARTIES (EXCEPT UNDER ATTORNEY CLIENT PRIVILEGE OR UNDER APPROPRIATE CONFIDENTIALITY AGREEMENTS). ANY UNAUTHORIZED DISCLOSURE, USE, APPLICATION OR ANY OTHER DEALINGS IN THE INFORMATION SHALL RESULT IN CIVIL AND/OR CRIMINAL LIABILITIES AND PENALTIES.

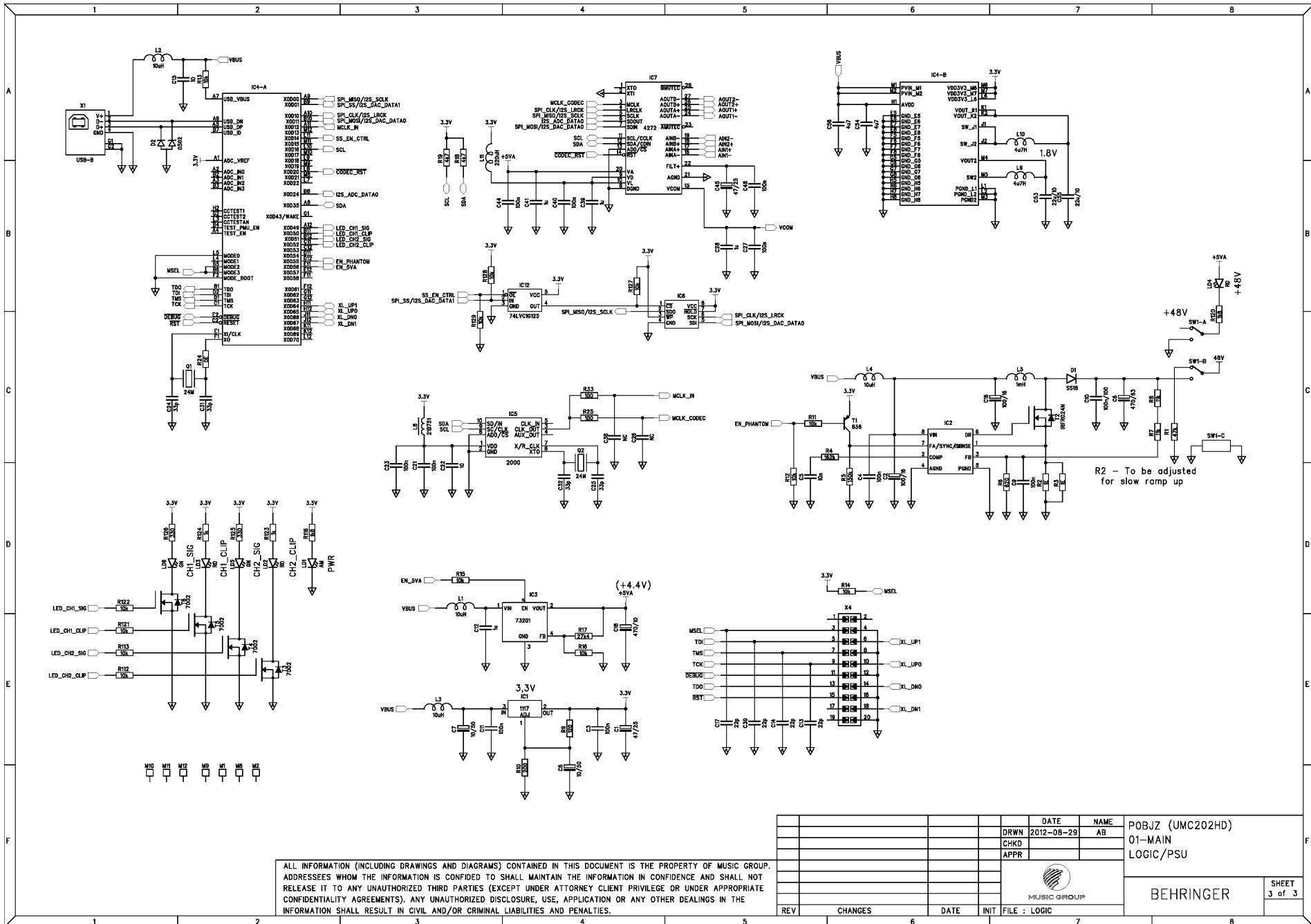
				DATE	NAME	P0BJZ (UMC202HD) 01-MAIN MIC / LINE INPUTS
			DRWN	2012-08-29	AB	
			CHKD			
			APPR			
B	Updated based on LOM	2014-07-29	CYS			BEHRINGER
A	CREATED	2014-06-10	CYS			
REV	CHANGES	DATE	INIT	FILE	AD	SHEET 1 of 3



TO 02-FRONT

PAD1_L_IN	1	01	2	PAD1_L_OUT
PAD1_R_IN	3	02	4	PAD1_R_OUT
LINE_L_P	7	03	8	LINE_L_N
VA/2	8	04	10	VIBAS
LINE_L_N	9	05	12	LINE2_N
PAD2_L_IN	15	06	16	PAD2_L_OUT
PAD2_R_IN	17	07	18	PAD2_R_OUT
AIN1_TO_CR	21	08	22	AIN2_TO_CR
MAIN_L	23	09	24	MAIN_R
PHONES_L_IN	25	10	26	PHONES_L_OUT
PHONES_R_IN	27	11	28	PHONES_R_OUT

				DATE	NAME	P0BJZ (UMC202HD) 01-MAIN OUTPUTS
				2012-08-28	AB	
DRWN	CHKD	APPR				
						BEHRINGER
REV	CHANGES	DATE	INIT	FILE : PHONE/AD	SHEET 2 of 3	



ALL INFORMATION (INCLUDING DRAWINGS AND DIAGRAMS) CONTAINED IN THIS DOCUMENT IS THE PROPERTY OF MUSIC GROUP. ADDRESSEES WHOM THE INFORMATION IS CONFIDED TO SHALL MAINTAIN THE INFORMATION IN CONFIDENCE AND SHALL NOT RELEASE IT TO ANY UNAUTHORIZED THIRD PARTIES (EXCEPT UNDER ATTORNEY CLIENT PRIVILEGE OR UNDER APPROPRIATE CONFIDENTIALITY AGREEMENTS). ANY UNAUTHORIZED DISCLOSURE, USE, APPLICATION OR ANY OTHER DEALINGS IN THE INFORMATION SHALL RESULT IN CIVIL AND/OR CRIMINAL LIABILITIES AND PENALTIES.

REV	CHANGES	DATE	INIT	FILE : LOGIC												
<table border="1"> <tr> <td>DRWN</td> <td>2012-08-29</td> <td>NAME</td> <td>P0BJZ (UMC202HD)</td> </tr> <tr> <td>CHKD</td> <td></td> <td></td> <td>01-MAIN</td> </tr> <tr> <td>APPR</td> <td></td> <td></td> <td>LOGIC/PSU</td> </tr> </table>					DRWN	2012-08-29	NAME	P0BJZ (UMC202HD)	CHKD			01-MAIN	APPR			LOGIC/PSU
DRWN	2012-08-29	NAME	P0BJZ (UMC202HD)													
CHKD			01-MAIN													
APPR			LOGIC/PSU													
				<table border="1"> <tr> <td>BEHRINGER</td> <td>SHEET 3 of 3</td> </tr> </table>	BEHRINGER	SHEET 3 of 3										
BEHRINGER	SHEET 3 of 3															

Hi Pcb Assemblies

	Quantity	Unit	S.Sku	M.Sku	Description	Reference Designators	Notes
1	1.0000	PC	Q05-AUW02-00104	A05-AUW02-00104	PCB ASSEMBLY;POAUW;2;D;HI;FRONT		
2	1.0000	PC		A05-BJZ01-00102	PCB ASSEMBLY;POBJZ;PCB:1;REV:B;HI;MAIN		

Cable

	Quantity	Unit	S.Sku	M.Sku	Description	Reference Designators	Notes
1	1.0000	PC	Q71-18004-06054	A71-18004-06054	CABLE;USB2.0;BLACK;UL2725;COLOR:BLACK;LENGTH:1800mm +/-40mm;DIA:4mm;CONNECTORS:USB/B TO USB/A;DOUBLE SHIELDING;MAGNET		

Capacitor

	Quantity	Unit	S.Sku	M.Sku	Description	Reference Designators	Notes
1	6.0000	PC			CAP E;470uF;10V;PITCH:2mm5;6mm3 x 11mm;VERTICAL 12.7-15-9mm	[P0BJZ:1: {6.0}(C18,C66-C67,C86,C95-C96)]	*NOT available in DP
2	2.0000	PC			CAP E;100uF;16V;PITCH:2mm5;5mm x 11mm;VERTICAL 12.7-15-9mm	[P0BJZ:1: {2.0}(C2,C16)]	*NOT available in DP
3	10.0000	PC			CAP E;47uF;25V;PITCH:2mm5;5mm x 11mm;VERTICAL 12.7-15-9mm	[P0BJZ:1: {10.0}(C1,C34-C37,C45,C61-C64)]	*NOT available in DP
4	6.0000	PC			CAP E;10uF;50V;PITCH:2mm5;5mm x 11mm;VERTICAL 12.7-15-9mm	[P0BJZ:1: {6.0}(C7-C8,C78,C81-C82,C85)]	*NOT available in DP
5	4.0000	PC			CAP E;47uF;50V;PITCH:2mm5;6mm x 11mm;VERTICAL 12.7-15-9mm	[P0BJZ:1: {4.0}(C79-C80,C83-C84)]	*NOT available in DP
6	2.0000	PC			CAP CER;22 uF;10V;X5R;20 %;SMD805	[P0BJZ:1: {2.0}(C53,C55)]	*NOT available in DP
7	2.0000	PC			CAP CER;4uF;6V3;X5R;10%;SMT805	[P0BJZ:1: {2.0}(C54,C56)]	*NOT available in DP
8	1.0000	PC			CAP CER;10 uF;6.3 V;X5R;10 %;SMD805;YAGEO (CC85KRX5R6BB106)	[P0BJZ:1: {1.0}(C22)]	*NOT available in DP
9	1.0000	PC			CAP CER;10uF;6V3;X5R;20%;SMT805	[P0BJZ:1: {1.0}(C15)]	*NOT available in DP
10	6.0000	PC			CAP CER;1uF;16V;X7R;10%;SMT805	[P0BJZ:1: {6.0}(C12,C28,C39,C41,C49,C51)]	*NOT available in DP
11	2.0000	PC			CAP CER;100nF;25V;X7R;10%;SMT805	[P0BJZ:1: {2.0}(C3,C11)]	*NOT available in DP
12	6.0000	PC			CAP CER;20pF;50V;20%;SMT603	[P0BJZ:1: {6.0}(C47,C60,C69-C70,C74,C76)]	*NOT available in DP
13	4.0000	PC			CAP CER;22pF;50V;10%;SMT603	[P0BJZ:1: {4.0}(C13-C14,C17,C30)]	*NOT available in DP
14	4.0000	PC			CAP CER;33pF;50V;5%;COG(NPO);SMT603	[P0BJZ:1: {4.0}(C24-C25,C31-C32)]	*NOT available in DP
15	2.0000	PC			CAP CER;47pF;50V;5%;COG(NPO);SMT603	[P0BJZ:1: {2.0}(C65,C73)]	*NOT available in DP
16	4.0000	PC			CAP CER;470pF;50V;COG;5%;SMT603	[P0BJZ:1: {4.0}(C42-C43,C57-C58)]	*NOT available in DP
17	1.0000	PC			CAP CER;10nF;50V;10%;SMT603	[P0BJZ:1: {1.0}(C5)]	*NOT available in DP
18	16.0000	PC			CAP CER;100nF;50V;10%;SMT603	[P0BJZ:1: {16.0}(C4,C21,C23,C27,C40,C44,C46,C48,C50,C52,C59,C68,C71-C72,C75,C77)]	*NOT available in DP
19	10.0000	PC			CAP CER;1nF;50V;10%;SMT805	[P0BJZ:1: {10.0}(C19-C20,C87-C94)]	*NOT available in DP
20	2.0000	PC			CAP CER;1nF;50V;COG;5%;SMD805	[P0BJZ:1: {2.0}(C29,C33)]	*NOT available in DP
21	1.0000	PC			CAP CER;100nF;50V;X7R;10%;SMT805	[P0BJZ:1: {1.0}(C9)]	*NOT available in DP
22	1.0000	PC			CAP CER;100nF;100V;X7R;10%;SMD1206	[P0BJZ:1: {1.0}(C10)]	*NOT available in DP
23	1.0000	PC			CAP E;105C;470 uF;63 V;20 %;13mm x 35mm;PITCH:5 mm;PRECUT:3mm3+/-0mm3	[P0BJZ:1: {1.0}(C6)]	*NOT available in DP

Coil

	Quantity	Unit	S.Sku	M.Sku	Description	Reference Designators	Notes
1	4.0000	PC	R37-00000-25886	B37-00000-25886	COIL;CHOKE;10 uH;PITCH:5 MM;8.3X7.5;SHIELD	[POBJZ:1: {4.0}{L1-L4}]	
2	1.0000	PC		B37-00000-67180	COIL;CHOKE;1mH;10%;PITCH:5 MM;7MM8X8;SHIELD	[POBJZ:1: {1.0}{L5}]	
3	1.0000	PC	R37-00000-67182	B37-00000-67182	COIL;CHOKE;220 uH;PITCH:5 MM;8.3X7.5;SHIELD	[POBJZ:1: {1.0}{L11}]	
4	2.0000	PC	R37-00000-72708	B37-00000-72708	COIL;4uH7;20%;SMD;2MM5X2X1MM2	[POBJZ:1: {2.0}{L9-L10}]	
5	1.0000	PC	R39-00000-03394	B39-00000-03394	COIL;SMD;BEAD;SMD0805;(BLM21BD751SN1D)	[POBJZ:1: {1.0}{L8}]	
6	10.0000	PC	R39-26000-21049	B39-26000-21049	COIL;SMD;BEAD;(BLM21AG601S)	[POBJZ:1: {10.0}{L6-L7,L12-L19}]	

Connector

	Quantity	Unit	S.Sku	M.Sku	Description	Reference Designators	Notes
1	1.0000	PC	R83-20184-37925	B83-20184-37925	CONNECTOR;FEMALE;ANGLED;USB;SINGLE;TYPE:B	[POBJZ:1: {1.0}{X11}]	
2	2.0000	PC	R95-00000-19168	B95-00000-19168	CONNECTOR;XLR;12;XLR&6.35 COMBO;RIGHT ANGLE	[POBJZ:1: {2.0}{X7-X8}]	

Diode

	Quantity	Unit	S.Sku	M.Sku	Description	Reference Designators	Notes
1	4.0000	PC			DIODE;BAV99;SOT23;SMD	[POBJZ:1: {4.0}{D3-D6}]	*NOT available in DP
2	1.0000	PC			DIODE;RECTIFIER;80 V;SMD;DO-214AC;SS18	[POBJZ:1: {1.0}{D11}]	*NOT available in DP
3	1.0000	PC			DIODE;5 V;RCLAMP0502B;SOT-523	[POBJZ:1: {1.0}{D2}]	*NOT available in DP

Hardware

	Quantity	Unit	S.Sku	M.Sku	Description	Reference Designators	Notes
1	0.2000	G			SCREWLOCK;SPEC.NO:01090		*NOT available in DP
2	4.0000	PC		F87-00000-81982	RUBBER;BLACK;POAU;RUBBER FOOT		
3	4.0000	PC			SCREW;A;DIA:3 MM;LEN:10 MM;CHEESE;OD:5.5 MM;NICKEL;SILVER/WHITE;HEXAGON REC.;POB31-XLR-SCREW-REVA		*NOT available in DP
4	4.0000	PC			SCREW;M3mm*6mm;HEAD:PAN;INSERT:PHILIPS REC.;SURFACE:SILVER/ZINC		*NOT available in DP
5	3.0000	PC			SCREW;M3mm*12mm;PITCH:0mm5;HEAD:FLAT;DIA:5mm2;INSERT:PHILIPS REC.;SURFACE:BLACK/ZINC		*NOT available in DP
6	1.0000	PC			SILICA GEL;MASS;10g;SPEC.NO:10QB-BB2001-4		*NOT available in DP
7	2.0000	PC			STUD;3 MM;15.4 MM;0.5 MM;THREAD-DIA;3mm;LENGTH:15.4mm		*NOT available in DP
8	1.0000	PC		F97-00000-66686	INSULATION SHEET;POAUW INSULATION PC SHEET		
9	1.0000	PC		F97-32000-26356	SHEET 2;SLIDE SWITCH;PVC;BLACK;DWG.NO:26356;(PVC SHEET2-REVA.DWG)		
10	3.0000	PC			SCREW;M3mm*6mm;PITCH:0mm5;HEAD:FLAT;DIA:4mm5;INSERT:PHILIPS REC.;SURFACE:BLACK/ZINC		*NOT available in DP

Ic

	Quantity	Unit	S.Sku	M.Sku	Description	Reference Designators	Notes
1	2.0000	PC	S61-00000-67158	C61-00000-67158	IC:POWER AMP;SMD;DMP8;NUM2122M	[POBJZ:1:{2.0}(IC14-IC15)]	
2	1.0000	PC		C73-00000-29050	IC:OPAMP;SMD;SOP;8;BA4580RF	[POBJZ:1:{1.0}(IC16)]	
3	4.0000	PC	S73-72869-42214	C73-72869-42214	IC:OPAMP;AD8694ARZ;SOIC	[POBJZ:1:{4.0}(IC8-IC9,IC11,IC13)]	
4	1.0000	PC	S74-00000-67162	C74-00000-67162	IC:POWER-CONVERSION;SMD;MSOP;8;LM3488	[POBJZ:1:{1.0}(IC2)]	
5	1.0000	PC	S77-00000-67136	C77-00000-67136	IC;VOLT.REGULATOR;SMD;SOT223;5;TPS73201DCQR	[POBJZ:1:{1.0}(IC3)]	
6	1.0000	PC	S77-00128-03001	C77-00128-03001	IC;VOLT.REGULATOR;ADJUSTABLE;SOT223;NCP1117STAT3;SMD	[POBJZ:1:{1.0}(IC1)]	
7	1.0000	PC	T10-00000-18827	D10-00000-18827	IC;ASIC;MSOP;10;CS2000CP-CZZR	[POBJZ:1:{1.0}(IC5)]	
8	1.0000	PC	T10-00000-67135	D10-00000-67135	IC;ASIC;SMD;FBGA;96;XS1-U8A-64-FB96-C5	[POBJZ:1:{1.0}(IC4)]	
9	1.0000	PC	T19-00074-05121	D19-00074-05121	IC;FLASH MEMORY;W25X40CLSNIG;SMD;SOIC-8	[POBJZ:1:{1.0}(IC6)]	
10	1.0000	PC	T22-00000-22371	D22-00000-22371	IC;LOGIC;SOT-353;SINGLE GATE 3-STATE BUFFER;SN74LVC1G125DCK;SMD	[POBJZ:1:{1.0}(IC12)]	
11	1.0000	PC	T28-54427-20628	D28-54427-20628	IC;DIGITAL AUDIO;CS4272;AUDIO CODEC;TSSOP28	[POBJZ:1:{1.0}(IC7)]	
12	1.0000	PC	T30-82406-60514	D30-82406-60514	IC;SWITCH/MUPLEX;CD4066;SOP	[POBJZ:1:{1.0}(IC10)]	
13	1.0000	PC		D33-00001-14855	IC;FLASH MEMORY;W25X40CLSNIG;SMD;SOIC-8;POBJZ V1.12	[POBJZ:1:{1.0}(IC6)]	

Led

	Quantity	Unit	S.Sku	M.Sku	Description	Reference Designators	Notes
1	1.0000	PC	U10-00000-04901	E10-00000-04901	LED HIB;3mm0 ROUND;AMBER;BULK;W/RING	[POBJZ:1:{1.0}(LD1)]	
2	2.0000	PC	U10-53565-00588	E10-53565-00588	LED HIB;3mm ROUND;GREEN	[POBJZ:1:{2.0}(LD5-LD6)]	
3	3.0000	PC		E12-57620-05882	LED;3mm ROUND;RD;WAVELENGTH :630-645nm;Vf:1.8-2.6V;LUMINOUS INTENSITY:lv:80mcd-140mcd	[POBJZ:1:{3.0}(LD2-LD4)]	

Metal Part

	Quantity	Unit	S.Sku	M.Sku	Description	Reference Designators	Notes
1	2.0000	PC		A65-00200-06818	METAL CLIP;PCB;I00161P;DST.NO:002;DPT.NO:06818;(I00161P-PCB_CLIP-REV.B.DWG)		
2	1.0000	PC		J00-00001-04933	METAL;PANEL;POBJZ;MATERIAL:SECC 1.2mm;BLANKING + PUNCHING;SPRAYING;BLACK;REAR;A001		
3	1.0000	PC		J02-00000-71465	METAL;CASE;POAUW;AL 6063 T5;SAND BLASTING;EXTRUSION, CUTTING;ANODIZING;BROWN METALLIC DARK;A001		

Plastic Part

	Quantity	Unit	S.Sku	M.Sku	Description	Reference Designators	Notes
1	5.0000	PC		G52-00000-68561	PLASTIC;POAUW;ABS PA757;BUTTON;INJECTION;SPRAYING;SILVER;FUNCTION BUTTON		
2	4.0000	PC	W52-00000-75036	G52-00000-75036	PLASTIC;KNOB;POAUW;ABS PA757;BLACK;ROTATORY KNOB REV.A		
3	1.0000	PC		G58-00000-66689	PLASTIC;POAUW;ABS;PANEL;INJECTION;SILVER;POAUW-FRONT-PANEL-REVA		
4	3.0000	PC	W58-00300-08619	G58-00300-08619	PLASTIC;SPACER;PC;MOULDING;BLACK;3MM VERTICAL;DST.NO:003;DPT.NO:08619;(I00129P-LED_SPACER-REV.C.DWG)	[POBJZ:1:{3.0}(M10-M12)]	
5	1.0000	PC		I64-00001-04930	PLASTIC;LENS;POBJZ;PC;INJECTION;OVERLAY;A001		

Plug Socket

	Quantity	Unit	S.Sku	M.Sku	Description	Reference Designators	Notes
1	3.0000	PC	W64-01081-03178	G64-01081-03178	PLUG;PCB;PLUG;JACK;ANG.PCB.;JYE TAI;W/MET.RNG.;PLA.BUSH.:(JY-6313-01-030)	[P0BJZ:1: {3.0}(X2-X3,X6)]	
2	1.0000	PC		G71-00000-67208	PIN HEAD;28;ROWS:2;STRAIGHT;PITCH:2MM54;10MM5HIGH	[P0AUW:02: {1.0}(X1)]	
3	1.0000	PC		G71-00000-67209	PCB SOCKET;PIN SOCKET;28;ROWS:2;STRAIGHT;PITCH:2MM54	[P0BJZ:1: {1.0}(X5)]	

Quarz

	Quantity	Unit	S.Sku	M.Sku	Description	Reference Designators	Notes
1	2.0000	PC	X65-00000-36991	H65-00000-36991	QUARZ;RESONATOR;24 MHz;8pF;SMD;SIZE:5X3.2	[P0BJZ:1: {2.0}(Q1-Q2)]	

Resistor

	Quantity	Unit	S.Sku	M.Sku	Description	Reference Designators	Notes
1	1.0000	PC			RESISTOR;METAL;620 ohm;1 %;SMD603;THICK FILM	[POBJZ:1: {1.0}(R6)]	*NOT available in DP
2	3.0000	PC			RESISTOR;CARBON;0ohm;5%;0W063;SMD603	[POBJZ:1: {3.0}(R24,R110,R117)]	*NOT available in DP
3	2.0000	PC			RESISTOR;CARBON;100ohm;5%;0W063;SMD603	[POBJZ:1: {2.0}(R25,R33)]	*NOT available in DP
4	2.0000	PC			RESISTOR;CARBON;330ohm;5%;0W063;SMD603	[POBJZ:1: {2.0}(R125-R126)]	*NOT available in DP
5	2.0000	PC			RESISTOR;CARBON;1Kohm;5%;0W063;SMD603	[POBJZ:1: {2.0}(R123-R124)]	*NOT available in DP
6	4.0000	PC			RESISTOR;CARBON;1Kohm8;5%;0W063;SMD603	[POBJZ:1: {4.0}(R83,R88,R116,R120)]	*NOT available in DP
7	2.0000	PC			RESISTOR;CARBON;4Kohm7;5%;0W063;SMD603	[POBJZ:1: {2.0}(R18-R19)]	*NOT available in DP
8	9.0000	PC			RESISTOR;CARBON;10Kohm;5%;0W063;SMD603	[POBJZ:1: {9.0}(R11-R14,R54,R91,R127-R129)]	*NOT available in DP
9	6.0000	PC			RESISTOR;CARBON;47Kohm;5%;0W063;SMD603	[POBJZ:1: {6.0}(R20,R22,R89-R90,R114-R115)]	*NOT available in DP
10	1.0000	PC			RESISTOR;CARBON;150Kohm;5%;0W063;SMD603	[POBJZ:1: {1.0}(R5)]	*NOT available in DP
11	2.0000	PC			RESISTOR;METAL;33ohm;1%;0W063;SMD603	[POBJZ:1: {2.0}(R100,R119)]	*NOT available in DP
12	6.0000	PC			RESISTOR;METAL;680ohm;1%;0W063;SMD603	[POBJZ:1: {6.0}(R27,R29-R30,R35,R44,R47)]	*NOT available in DP
13	8.0000	PC			RESISTOR;METAL;1Kohm;1%;0W063;SMD603	[POBJZ:1: {8.0}(R28,R31,R45-R46,R97-R99,R111)]	*NOT available in DP
14	4.0000	PC			RESISTOR;METAL;1Kohm50;1%;0W063;SMD603	[POBJZ:1: {4.0}(R48,R66,R75,R82)]	*NOT available in DP
15	4.0000	PC			RESISTOR;METAL;2Kohm;1%;0W063;SMD603	[POBJZ:1: {4.0}(R57,R59,R62,R85)]	*NOT available in DP
16	2.0000	PC			RESISTOR;METAL;4Kohm42;1%;0W063;SMD603	[POBJZ:1: {2.0}(R55,R92)]	*NOT available in DP
17	2.0000	PC			RESISTOR;METAL;4Kohm7;1%;0W063;SMD603	[POBJZ:1: {2.0}(R43,R50)]	*NOT available in DP
18	10.0000	PC			RESISTOR;METAL;10Kohm;1%;0W063;SMD603	[POBJZ:1: {10.0}(R15-R16,R26,R32,R34,R40,R86-R87,R93-R94)]	*NOT available in DP
19	1.0000	PC			RESISTOR;METAL;12Kohm;1%;0W063;SMD603	[POBJZ:1: {1.0}(R63)]	*NOT available in DP
20	1.0000	PC			RESISTOR;METAL;12Kohm4;1%;0W063;SMD603	[POBJZ:1: {1.0}(R95)]	*NOT available in DP
21	8.0000	PC			RESISTOR;METAL;15Kohm;1%;0W063;SMD603	[POBJZ:1: {8.0}(R36,R41,R51,R56,R58,R60-R61,R84)]	*NOT available in DP
22	4.0000	PC			RESISTOR;METAL;18Kohm;1%;0W063;SMD603	[POBJZ:1: {4.0}(R67,R69,R76,R78)]	*NOT available in DP
23	4.0000	PC			RESISTOR;METAL;20Kohm;1%;0W063;SMD603	[POBJZ:1: {4.0}(R65,R72,R74,R81)]	*NOT available in DP
24	1.0000	PC			RESISTOR;METAL;27Kohm4;1%;0W063;SMD603	[POBJZ:1: {1.0}(R17)]	*NOT available in DP
25	4.0000	PC			RESISTOR;METAL;47Kohm;1%;0W063;SMD603	[POBJZ:1: {4.0}(R68,R70,R77,R79)]	*NOT available in DP
26	1.0000	PC			RESISTOR;METAL;162Kohm;1%;0W063;SMD603	[POBJZ:1: {1.0}(R4)]	*NOT available in DP
27	4.0000	PC			RESISTOR;METAL;6Kohm20;1%;0W063;SMD603	[POBJZ:1: {4.0}(R37,R42,R49,R52)]	*NOT available in DP
28	4.0000	PC			RESISTOR;METAL;1Mohm;1%;0W063;SMD603	[POBJZ:1: {4.0}(R64,R71,R73,R80)]	*NOT available in DP
29	2.0000	PC			RESISTOR;CARBON;10ohm;5%;0W1;SMD805	[POBJZ:1: {2.0}(R53,R96)]	*NOT available in DP
30	2.0000	PC			RESISTOR;CARBON;100ohm;5%;0W1;SMD805	[POBJZ:1: {2.0}(R21,R23)]	*NOT available in DP
31	1.0000	PC			RESISTOR;CARBON;47Kohm;5%;0W1;SMD805	[POBJZ:1: {1.0}(R1)]	*NOT available in DP
32	1.0000	PC			RESISTOR;METAL;120ohm;1%;0W1;SMD805	[POBJZ:1: {1.0}(R9)]	*NOT available in DP
33	1.0000	PC			RESISTOR;METAL;200ohm;1%;0W1;SMD805	[POBJZ:1: {1.0}(R10)]	*NOT available in DP
34	2.0000	PC			RESISTOR;METAL;11Kohm;1%;0W1;SMD805	[POBJZ:1: {2.0}(R7-R8)]	*NOT available in DP
35	4.0000	PC			RESISTOR;CARBON;10Kohm;5%;0W25;SMD1206	[POBJZ:1: {4.0}(R112-R113,R121-R122)]	*NOT available in DP
36	2.0000	PC			RESISTOR;METAL;1ohm;1%;0W25;SMD1206	[POBJZ:1: {2.0}(R2-R3)]	*NOT available in DP
37	4.0000	PC			RESISTOR;METAL;10ohm;1%;0W25;SMD1206	[POBJZ:1: {4.0}(R101,R104-R105,R108)]	*NOT available in DP
38	4.0000	PC			RESISTOR;METAL;6kohm81;1%;METAL;0W25;SMD1206	[POBJZ:1: {4.0}(R102-R103,R106-R107)]	*NOT available in DP
39	2.0000	PC			RESISTOR;METAL;330ohm;1%;METAL;0W0625;SMD603	[POBJZ:1: {2.0}(R38-R39)]	*NOT available in DP

Potentiometer

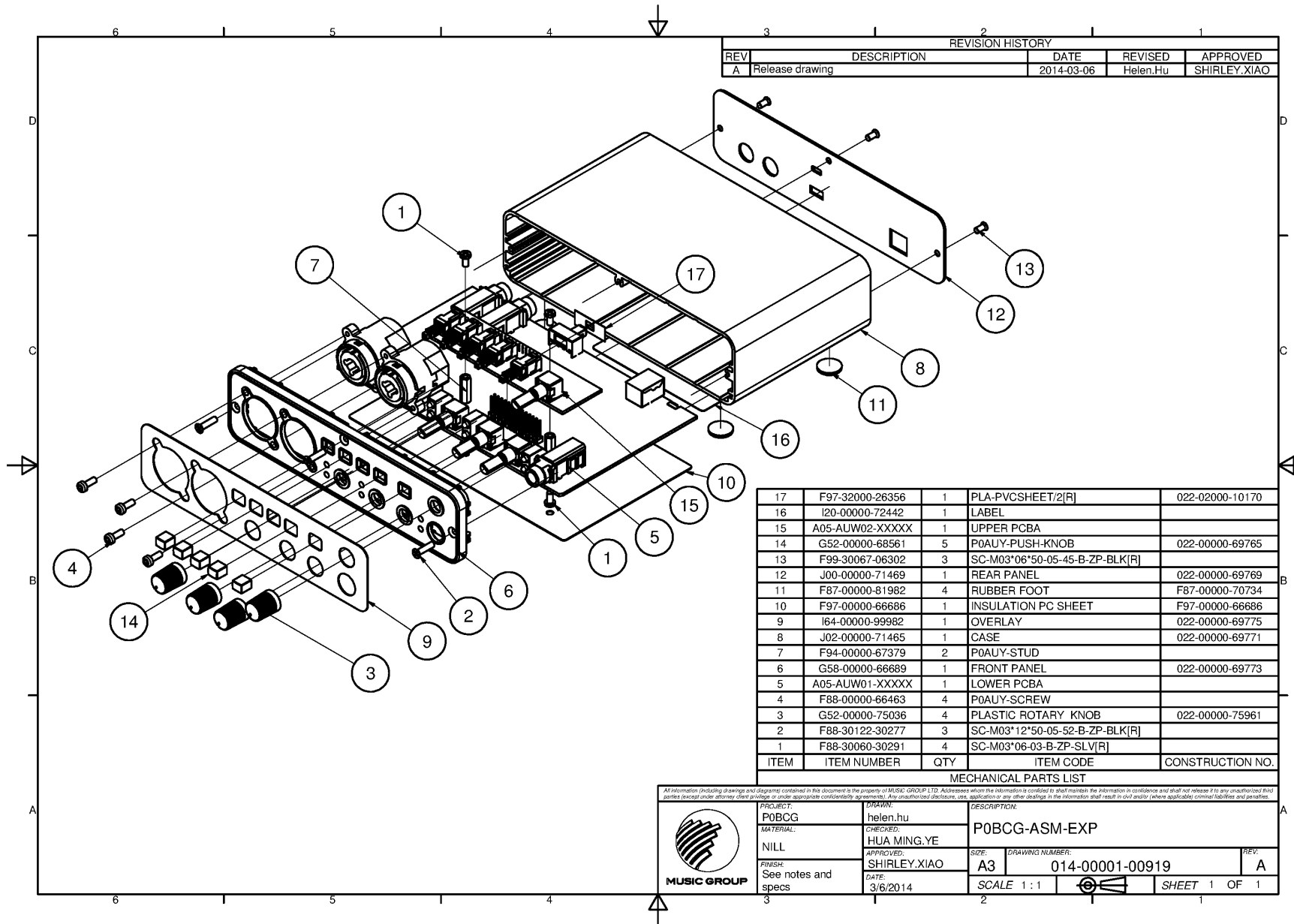
	Quantity	Unit	S.Sku	M.Sku	Description	Reference Designators	Notes
1	2.0000	PC	Y03-00000-67183	I03-00000-67183	POTENTIOMETER;50 kohm;05C;STEREO;METAL SHAFT;20MM;HORIZONTAL;NO NUT AND WASHER;0CC;30gf~70gf;SOUNDWELL	[P0BJZ:1: {2.0}{VR2-VR3}]	
2	2.0000	PC	Y03-00000-67185	I03-00000-67185	POTENTIOMETER;20 kohm;A;STEREO;METAL SHAFT;20MM;HORIZONTAL;NO NUT AND WASHER;0CC;30gf~70gf;SOUNDWELL	[P0AUW:02: {1.0}{VR1}]	

Switch

	Quantity	Unit	S.Sku	M.Sku	Description	Reference Designators	Notes
1	5.0000	PC	Y82-01422-19471	I82-01422-19471	SWITCH;PUSH;2P2T;PCB VERSION;LOCKING;NONSHORT;ALPS;SPUJ19256A	[P0AUW:02: {5.0}{SW1-SW5}]	
2	1.0000	PC	Y86-00422-29813	I86-00422-29813	SWITCH;SLIDE;2P2T;PCB VERSION;LOCKING;NONSHORT;WEALTH SK-22F03-G4 NS	[P0BJZ:1: {1.0}{SW1}]	

Transistor

	Quantity	Unit	S.Sku	M.Sku	Description	Reference Designators	Notes
1	1.0000	PC			TRANSISTOR;SMD;TO-252AA;3;IRFR024N	[P0BJZ:1: {1.0}{T2}]	*NOT available in DP
2	4.0000	PC			TRANSISTOR;NDS7002A;SOT	[P0BJZ:1: {4.0}{T3-T6}]	*NOT available in DP
3	1.0000	PC			TRANSISTOR;BC856B;SOT;SMD	[P0BJZ:1: {1.0}{T1}]	*NOT available in DP



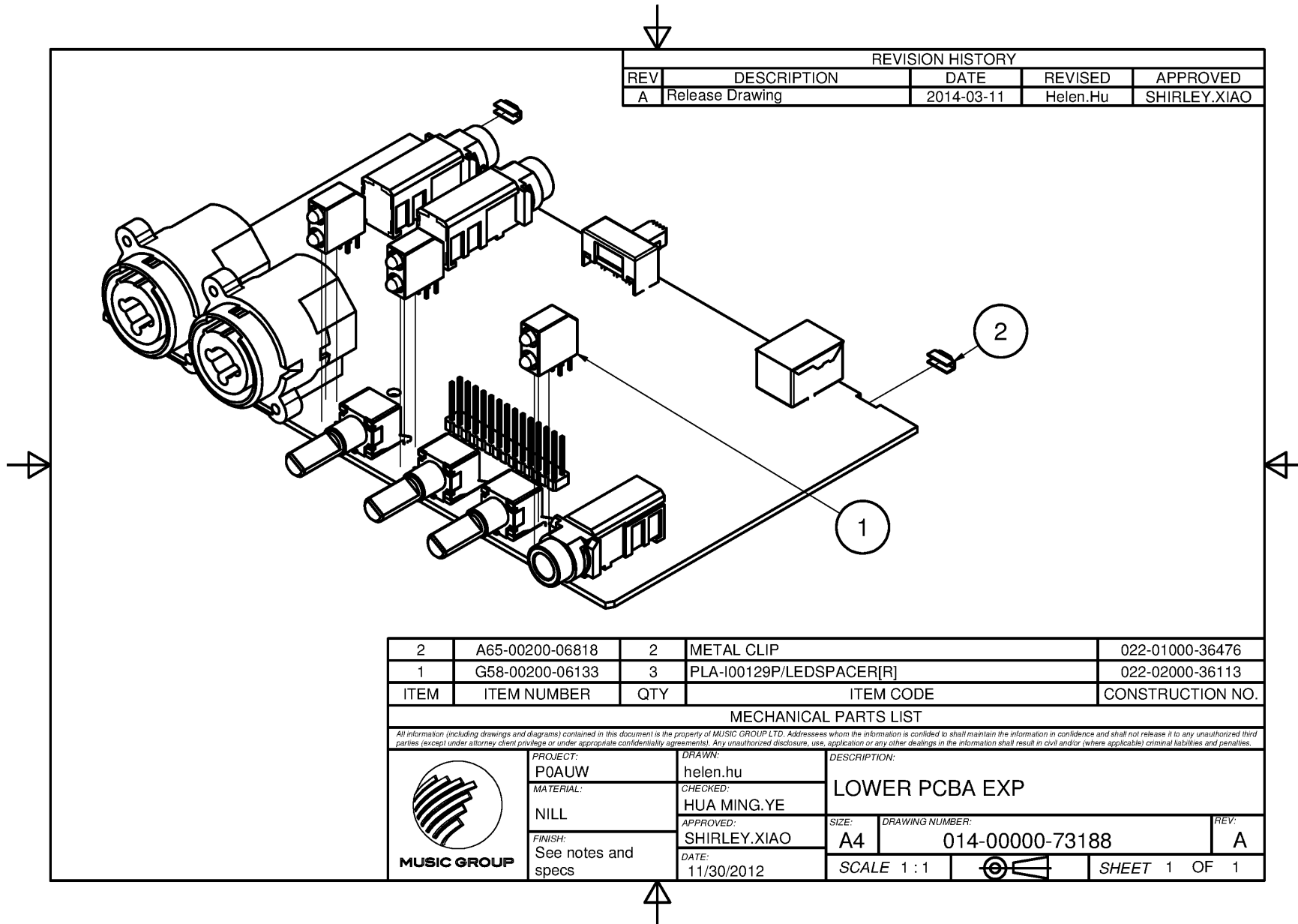
REVISION HISTORY				
REV	DESCRIPTION	DATE	REVISED	APPROVED
A	Release drawing	2014-03-06	Helen.Hu	SHIRLEY.XIAO

ITEM	ITEM NUMBER	QTY	ITEM CODE	CONSTRUCTION NO.
17	F97-32000-26356	1	PLA-PVCSHEET/2[R]	022-02000-10170
16	I20-00000-72442	1	LABEL	
15	A05-AUW02-XXXXX	1	UPPER PCBA	
14	G52-00000-68561	5	P0AUU-PUSH-KNOB	022-00000-69765
13	F99-30067-06302	3	SC-M03*06*50-05-45-B-ZP-BLK[R]	
12	J00-00000-71469	1	REAR PANEL	022-00000-69769
11	F87-00000-81982	4	RUBBER FOOT	F87-00000-70734
10	F97-00000-66686	1	INSULATION PC SHEET	F97-00000-66686
9	I64-00000-99982	1	OVERLAY	022-00000-69775
8	J02-00000-71465	1	CASE	022-00000-69771
7	F94-00000-67379	2	P0AUU-STUD	
6	G58-00000-66689	1	FRONT PANEL	022-00000-69773
5	A05-AUW01-XXXXX	1	LOWER PCBA	
4	F88-00000-66463	4	P0AUU-SCREW	
3	G52-00000-75036	4	PLASTIC ROTARY KNOB	022-00000-75961
2	F88-30122-30277	3	SC-M03*12*50-05-52-B-ZP-BLK[R]	
1	F88-30060-30291	4	SC-M03*06-03-B-ZP-SLV[R]	
ITEM	ITEM NUMBER	QTY	ITEM CODE	CONSTRUCTION NO.

MECHANICAL PARTS LIST

All information (including drawings and diagrams) contained in this document is the property of MUSIC GROUP LTD. Addressees whom the information is conveyed to shall maintain the information in confidence and shall not release it to any unauthorized third parties (except under attorney-client privilege or under appropriate confidentiality agreements). Any unauthorized disclosure, use, application or any other dealing in the information shall result in civil and/or criminal liabilities and penalties.

	PROJECT: POBCG	DRAWN: helen.hu	DESCRIPTION: POBCG-ASM-EXP	
	MATERIAL: NIL	CHECKED: HUA MING.YE	SIZE: A3	DRAWING NUMBER: 014-00001-00919
	FINISH: See notes and specs	APPROVED: SHIRLEY.XIAO	DATE: 3/6/2014	REV: A
	SCALE 1:1		SHEET 1 OF 1	





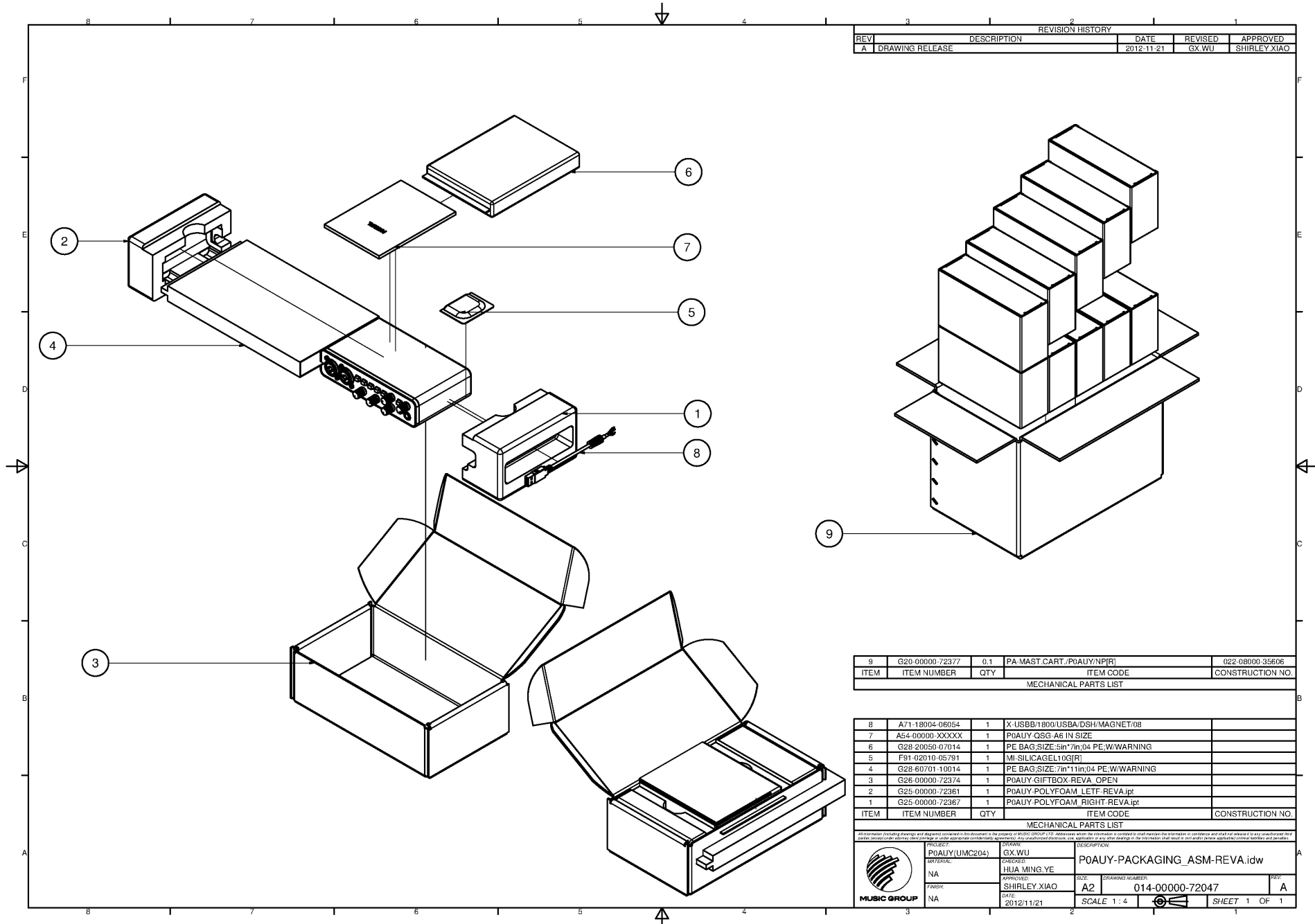
REVISION HISTORY				
REV	DESCRIPTION	DATE	REVISED	APPROVED
A	Release Drawing	2014-03-11	Helen.Hu	SHIRLEY.XIAO

2	A65-00200-06818	2	METAL CLIP	022-01000-36476
1	G58-00200-06133	3	PLA-I00129P/LEDSPACER[R]	022-02000-36113
ITEM	ITEM NUMBER	QTY	ITEM CODE	CONSTRUCTION NO.

MECHANICAL PARTS LIST

All information (including drawings and diagrams) contained in this document is the property of MUSIC GROUP LTD. Addressees whom the information is confided to shall maintain the information in confidence and shall not release it to any unauthorized third parties (except under attorney client privilege or under appropriate confidentiality agreements). Any unauthorized disclosure, use, application or any other dealings in the information shall result in civil and/or (where applicable) criminal liabilities and penalties.

 <p>MUSIC GROUP</p>	PROJECT: POAUW	DRAWN: helen.hu	DESCRIPTION: LOWER PCBA EXP	
	MATERIAL: NIL	CHECKED: HUA MING.YE	SIZE: A4	DRAWING NUMBER: 014-00000-73188
	FINISH: See notes and specs	APPROVED: SHIRLEY.XIAO	REV: A	
		DATE: 11/30/2012	SCALE 1 : 1	 SHEET 1 OF 1




REVISION HISTORY				
REV	DESCRIPTION	DATE	REVISED	APPROVED
A	DRAWING RELEASE	2012-11-21	GX.WU	SHIRLEY.XIAO

ITEM	ITEM NUMBER	QTY	ITEM CODE	CONSTRUCTION NO.
9	G20-00000-72377	0.1	PA-MAST.CART./P0AUY/NP[R]	022-08000-35606

MECHANICAL PARTS LIST

ITEM	ITEM NUMBER	QTY	ITEM CODE	CONSTRUCTION NO.
8	A71-18004-06054	1	X-USB/1800/USBA/DSH/MAGNET/08	
7	A54-00000-XXXXX	1	P0AUY-GSG-A6 IN SIZE	
6	G28-20050-07014	1	PE BAG;SIZE:5in*7in;04 PE;W/WARNING	
5	F91-02010-05791	1	MI-SILICAGEL10G[R]	
4	G28-60701-10014	1	PE BAG;SIZE:7in*11in;04 PE;W/WARNING	
3	G26-00000-72374	1	P0AUY-GIFTBOX-REVA OPEN	
2	G25-00000-72361	1	P0AUY-POLYFOAM LEFT-REVA.ipt	
1	G25-00000-72367	1	P0AUY-POLYFOAM RIGHT-REVA.ipt	

MECHANICAL PARTS LIST


PROJECT: P0AUY(UMC204) **DRAWN:** GX.WU
DATE: NA **CHECKED:** HUA MING.YE
APPROVED: SHIRLEY.XIAO **SIZE:** A2 **DRAWING NUMBER:** 014-00000-72047 **REV:** A
DATE: 2012/11/21 **SCALE:** 1:4 **SHEET:** 1 OF 1



We Hear You