



Service Manual

Created: 18 June 2015



EUROPORT PPA2000BT

Ultra-Compact 2000-Watt 8-Channel Portable PA System with Bluetooth Wireless Technology, Wireless Microphone Option, KLARK TEKNIK Multi-FX Processor and FBQ Feedback Detection

Specifications	2
PCB Schematic	3
Parts List	8
Exploded Drawing	27

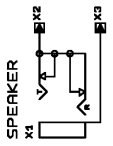
behringer.com

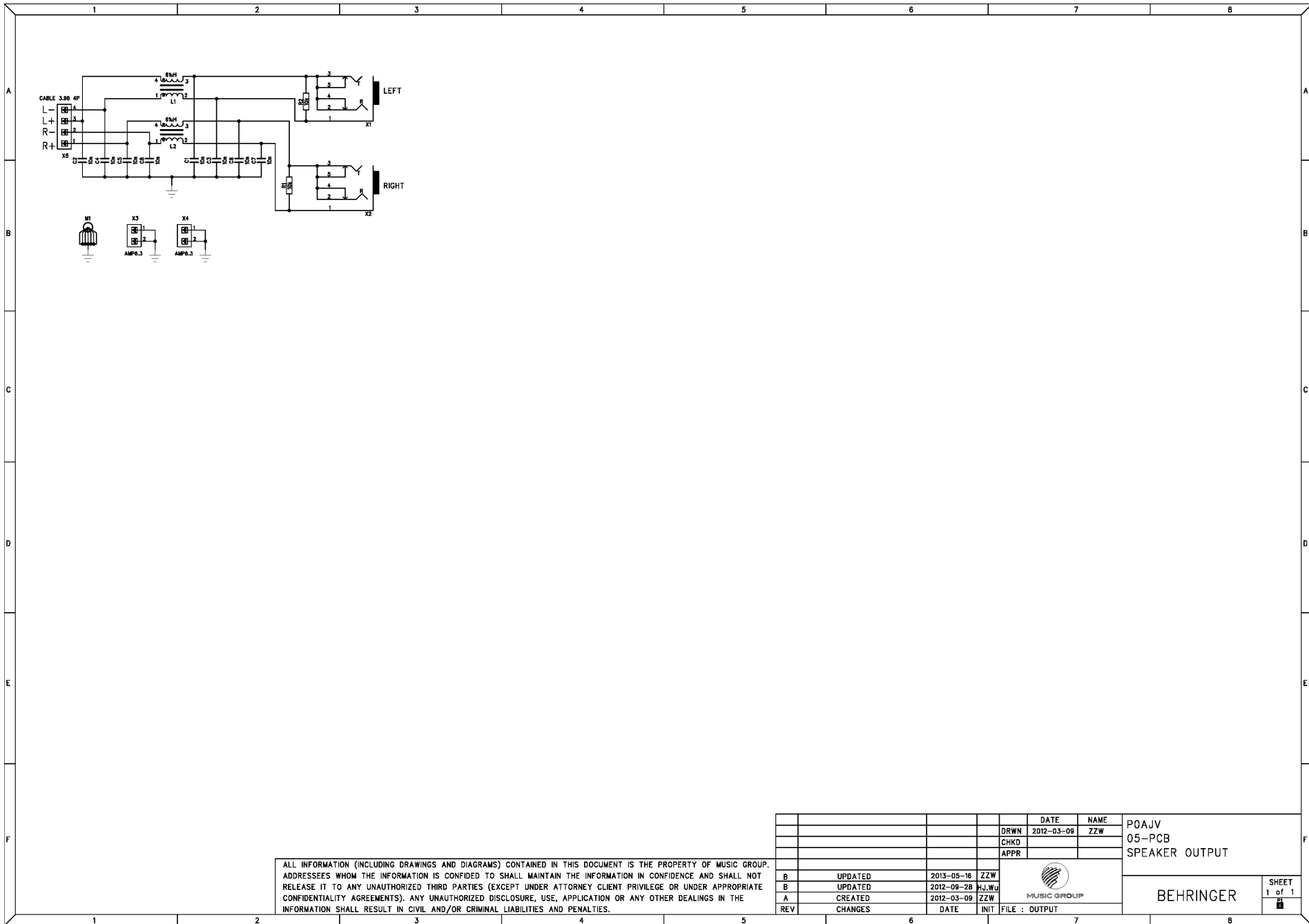


EUROPORT PPA2000BT



Specifications

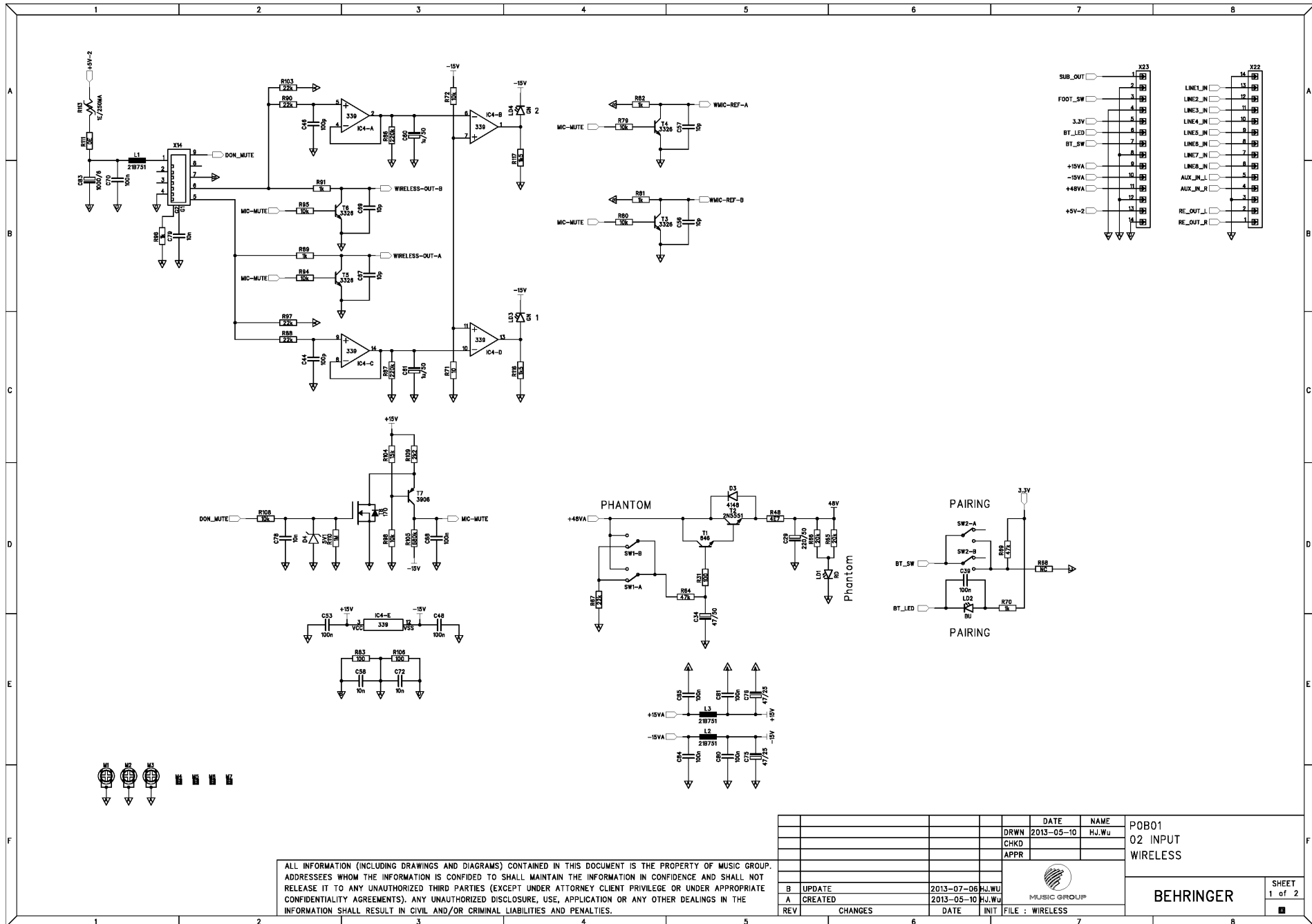
- Ultra-compact 2000-Watt, 8-channel portable PA system
- Perfect for parties, schools, corporate and educational presentations, seminars, aerobics, auctioneers, working musicians, tour guides, weddings, etc.
- Enormous power, incredible sonic performance, and super-light weight means no more lugging around dead weight
- Extremely powerful 10" woofers and 1.35" aluminum-diaphragm compression drivers for incredible sound reproduction
- Connect your iPod, iPhone, iPad* or any other MP3 player via Bluetooth*
- "Wireless ready" for high-quality BEHRINGER digital wireless microphone system (not included)
- Ultra-high quality KLARK TEKNIK FX processor with 100 presets including reverb, chorus, flanger, delay, pitch shifter and various multi-effects
- Revolutionary FBQ Feedback Detection system instantly reveals critical frequencies for easy feedback removal
- 8-channel mixer section comprises 4 mono and 2 stereo channels
- 4 high-quality mic preamps with switchable +48 V phantom power for condenser microphones
- Effective, extremely musical 2-band EQ, switchable Pad and Clip LEDs on all mono channels
- Stereo 7-band graphic EQ allows precise frequency correction of main outputs
- Dedicated mono output for subwoofer application
- Stereo Aux inputs for external devices such as sub mixers, etc.
- Comes with a BEHRINGER XM1800S microphone, a mic clip and a 20' cable
- Integrated storage compartment for microphones, cables, and accessories
- "Planet Earth" switching power supply for maximum flexibility (100 - 240 V~), noise-free audio, superior transient response plus low power consumption for energy savings
- 3-Year Warranty Program**
- Conceived and designed by BEHRINGER Germany

1	2	3	4	5	6	7	8				
											
<p>REVISIONS A (31 / 10 / 08)</p> <table border="1" style="width: 100%; border-collapse: collapse;"> <tr> <td style="width: 20%;">DRAWN</td> <td style="width: 20%;">PH</td> <td style="width: 20%;">CHECKED</td> <td style="width: 40%;">DATE 20.10. 9 10:42</td> </tr> </table>								DRAWN	PH	CHECKED	DATE 20.10. 9 10:42
DRAWN	PH	CHECKED	DATE 20.10. 9 10:42								
<p>PROJECT JACKEPA2 SPEAKER JACK</p>											
<p>BEHRINGER</p>											
<p>SHEET 1 OF 1 SHEETS TOTAL</p>											
<p>THIS DOCUMENT CONTAINS PROPRIETARY INFORMATION WHICH IS THE PROPERTY OF BEHRINGER. THAT MAY NOT BE DISCLOSED, REPRODUCED OR USED WITHOUT EXPRESS WRITTEN CONSENT FROM BEHRINGER</p>											



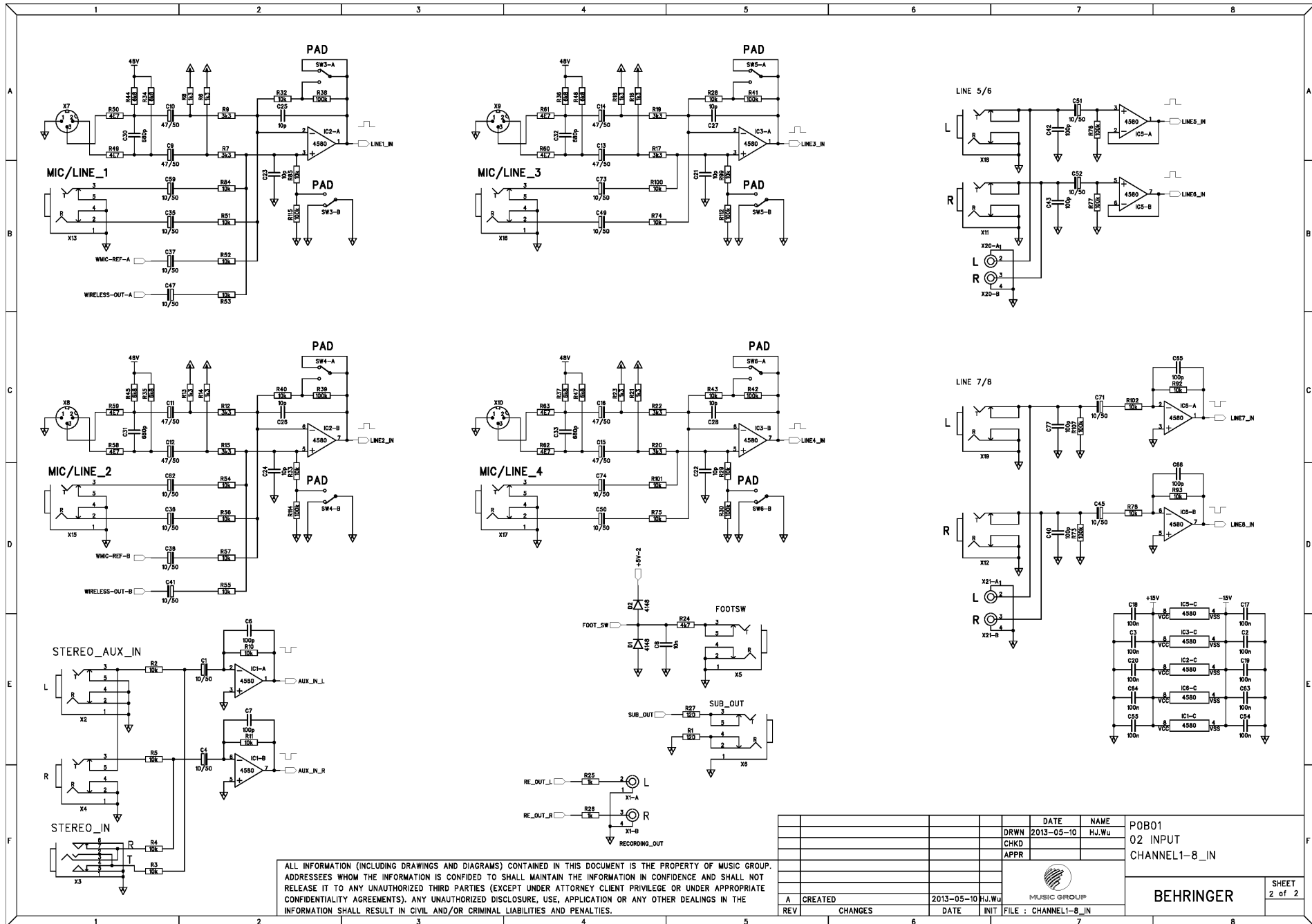
ALL INFORMATION (INCLUDING DRAWINGS AND DIAGRAMS) CONTAINED IN THIS DOCUMENT IS THE PROPERTY OF MUSIC GROUP. ADDRESSEES WHOM THE INFORMATION IS CONFIDED TO SHALL MAINTAIN THE INFORMATION IN CONFIDENCE AND SHALL NOT RELEASE IT TO ANY UNAUTHORIZED THIRD PARTIES (EXCEPT UNDER ATTORNEY CLIENT PRIVILEGE OR UNDER APPROPRIATE CONFIDENTIALITY AGREEMENTS). ANY UNAUTHORIZED DISCLOSURE, USE, APPLICATION OR ANY OTHER DEALINGS IN THE INFORMATION SHALL RESULT IN CIVIL AND/OR CRIMINAL LIABILITIES AND PENALTIES.

				DATE	NAME	PQAJV 05-PCB SPEAKER OUTPUT
			DRWN	2012-03-09	ZZW	
			CHKD			
			APPR			
B	UPDATED	2013-05-16	ZZW			 BEHRINGER
B	UPDATED	2012-09-28	H.J.Wu			
A	CREATED	2012-03-09	ZZW			
REV	CHANGES	DATE	INIT	FILE : OUTPUT		SHEET 1 of 1 



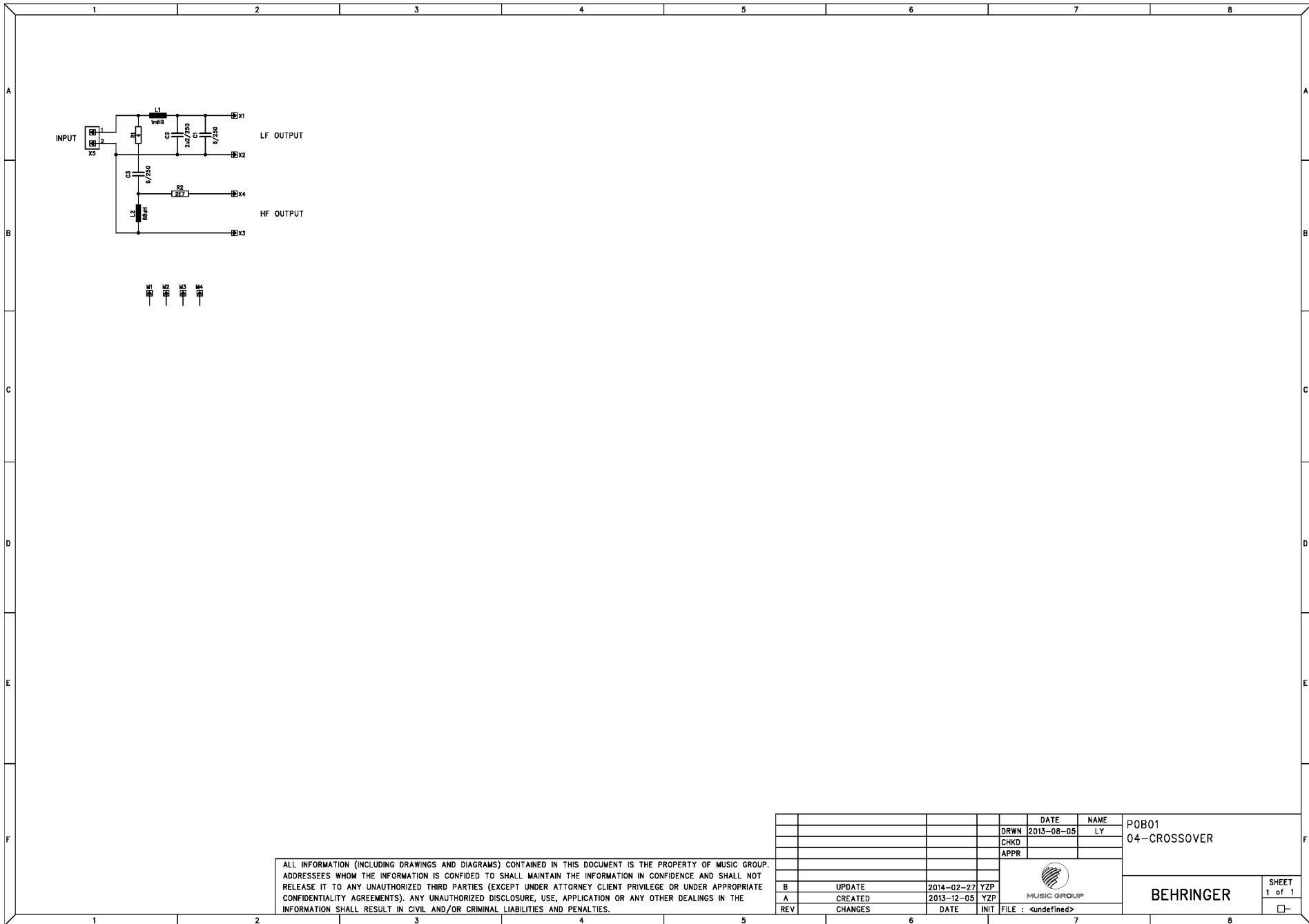
ALL INFORMATION (INCLUDING DRAWINGS AND DIAGRAMS) CONTAINED IN THIS DOCUMENT IS THE PROPERTY OF MUSIC GROUP. ADDRESSEES WHOM THE INFORMATION IS CONFIDED TO SHALL MAINTAIN THE INFORMATION IN CONFIDENCE AND SHALL NOT RELEASE IT TO ANY UNAUTHORIZED THIRD PARTIES (EXCEPT UNDER ATTORNEY CLIENT PRIVILEGE OR UNDER APPROPRIATE CONFIDENTIALITY AGREEMENTS). ANY UNAUTHORIZED DISCLOSURE, USE, APPLICATION OR ANY OTHER DEALINGS IN THE INFORMATION SHALL RESULT IN CIVIL AND/OR CRIMINAL LIABILITIES AND PENALTIES.

REV	CHANGES	DATE	INIT	FILE : WIRELESS
B	UPDATE	2013-07-06	HJ.WU	
A	CREATED	2013-05-10	HJ.WU	
		DRWN	2013-05-10	HJ.WU
		CHKD		
		APPR		
				DATE
				NAME
				HJ.WU
				PQB01
				02 INPUT
				WIRELESS
				BEHRINGER
				SHEET 1 of 2



ALL INFORMATION (INCLUDING DRAWINGS AND DIAGRAMS) CONTAINED IN THIS DOCUMENT IS THE PROPERTY OF MUSIC GROUP. ADDRESSEES WHOM THE INFORMATION IS CONFIDED TO SHALL MAINTAIN THE INFORMATION IN CONFIDENCE AND SHALL NOT RELEASE IT TO ANY UNAUTHORIZED THIRD PARTIES (EXCEPT UNDER ATTORNEY CLIENT PRIVILEGE OR UNDER APPROPRIATE CONFIDENTIALITY AGREEMENTS). ANY UNAUTHORIZED DISCLOSURE, USE, APPLICATION OR ANY OTHER DEALINGS IN THE INFORMATION SHALL RESULT IN CIVIL AND/OR CRIMINAL LIABILITIES AND PENALTIES.

DATE	NAME	PQB01 02 INPUT CHANNEL1-8_IN	SHEET 2 of 2	
2013-05-10	H.J.Wu			
DRWN				
CHKD		BEHRINGER		
APPR				
REV	CHANGES	DATE	INIT	FILE : CHANNEL1-8_IN



ALL INFORMATION (INCLUDING DRAWINGS AND DIAGRAMS) CONTAINED IN THIS DOCUMENT IS THE PROPERTY OF MUSIC GROUP. ADDRESSEES WHOM THE INFORMATION IS CONFIDED TO SHALL MAINTAIN THE INFORMATION IN CONFIDENCE AND SHALL NOT RELEASE IT TO ANY UNAUTHORIZED THIRD PARTIES (EXCEPT UNDER ATTORNEY CLIENT PRIVILEGE OR UNDER APPROPRIATE CONFIDENTIALITY AGREEMENTS). ANY UNAUTHORIZED DISCLOSURE, USE, APPLICATION OR ANY OTHER DEALINGS IN THE INFORMATION SHALL RESULT IN CIVIL AND/OR CRIMINAL LIABILITIES AND PENALTIES.

				DATE	NAME	PQB01 04-CROSSOVER
			DRWN	2013-08-05	LY	
			CHKD			
			APPR			
B	UPDATE	2014-02-27	YZP			
A	CREATED	2013-12-05	YZP			
REV	CHANGES	DATE	INIT	FILE	: <undefined>	



BEHRINGER

SHEET
1 of 1

HI Pcb Assemblies

	Quantity	Unit	S.Sku	M.Sku	Description	Reference Designators	Notes
1	2.0000	PC		A05-43100-07563	PCB ASSEMBLY;P0431;JACKPA2;REV:A;HAND INSERT;NO.917030		
2	1.0000	PC		A05-B0101-17103	PCB ASSEMBLY;POB01;PCB:1;REV:C;HI;MAIN		
3	1.0000	PC	Q05-B0102-00102	A05-B0102-00102	PCB ASSEMBLY;POB01;2;B;HI;INPUT		
4	2.0000	PC	Q05-B0104-00102	A05-B0104-00102	PCB ASSEMBLY;POB01;PCB:4;REV:B;HI;CROSSOVER		
5	1.0000	PC	Q05-B0105-00102	A05-B0105-00102	PCB ASSEMBLY;POB01;5;B;HI;SPEAKER OUTPUT		
6	1.0000	PC	Q05-B0103-17103	A05-B0103-17103	PCB ASSEMBLY;POB01;PCB:3;REV:C;HI;PSU_AMP		(EU, UL, UK, SAA, BR, AR, HM, SH)
7	1.0000	PC	Q05-B0103-17103	A05-B0103-17103	PCB ASSEMBLY;POB01;PCB:3;REV:C;HI;PSU_AMP		

Cable

	Quantity	Unit	S.Sku	M.Sku	Description	Reference Designators	Notes
1	1.0000	PC	Q70-15321-04393	A70-15321-04393	CABLE;2*RCA-PLUG 3mm5;PLATING:NICKEL;PLUG COLORS:RED/WHITE-BLACK;CABLES:2;CORES:2;LENGTH:1530mm;CABLE COLOR:BLACK		
2	2.0000	PC	Q70-61011-04824	A70-61011-04824	CABLE;SPEAKER;;BLACK RIGHT ANGLE PLUGS;SILVER WHITE;PHONE PLUG 6mm3 MONO+BLACK OD:6mm5 PVC+PHONE PLUG 6mm3 MONO		
3	1.0000	PC	Q70-61031-02507	A70-61031-02507	CABLE;XLR FEMALE PLUG +6m10+XLR MALE PLUG;MIC;BLACK		
4	0.3420	M		A74-00000-00714	WIRE;RAW FLAT CABLE;UL2651;AWG:28;POLES:14;GRAY;PIN1:RED;PITCH:1mm27		
5	1.0000	PC		A74-00000-82878	CABLE;FLAT;LENGTH:200 MM;AWG:28;UL2651;PITCH:2.54 MM;POLES:14;PIN1 RED;FC/FD-14P	[POB01:02: {1.0}(X22)]	
6	1.0000	PC		A74-00000-82879	CABLE;FLAT;LENGTH:110 MM;AWG:28;UL2651;PITCH:2.54 MM;POLES:14;PIN1 RED;FC-14P;FD-14P	[POB01:02: {1.0}(X23)]	
7	1.0000	PC		A83-00000-82873	SHIELDED CABLE;LENGTH:360 MM;AWG:26;UL2547;PITCH:2 MM;POLES:11;PIN10 IS SHIELD;A2006H;P1018;UL2468	[POB01:3: {1.0}(X11)]	
8	1.0000	PC		A83-00000-82874	SHIELDED CABLE;LENGTH:280 MM;AWG:26;UL2547;PITCH:2 MM;POLES:9;PINS 15 SHIELD;2PCS-A2006H;UL2468		
9	1.0000	PC		A88-00000-82872	CABLE;SPEAKER;LENGTH:100 MM;AWG:16;UL1007;PITCH:3.96 MM;POLES:4;RED;4PCS(6.3MM&0.8MM) AMP ISOLATED;JS4008-4P	[POB01:05: {1.0}(X5)]	
10	0.0000	PC		A88-40019-04709	CABLE;LENGTH:400mm;STRIP LENGTH:7mm;POLES:2;AWG16;UL1007		
11	2.0000	PC		A88-40019-06574	CABLE;LENGTH:400mm;ZEE;STRIP LENGTH:7mm;POLES:2;AWG16;UL1007		
12	1.0000	PC	Q76-15032-55649	A76-15032-55649	CABLE;AC-CORD;CLASS II;W/POLYBAG;JAPAN;LENGTH:150cm;POLES:3;APPROVAL:PSE;JS1553 + VCTF 3x0.75mm2 + V1528		(HM, SH)
13	1.0000	PC	Q76-15042-05624	A76-15042-05624	CABLE;AC-CORD;W/POLYBAG;LENGTH:150cm;H05VV-F3G0.75MM2;VERSION;UK;SPEC.NO:05624		(UK)
14	1.0000	PC	Q76-00000-05305	A76-00000-05305	CABLE;AC-CORD;3;BR;1500 MM;Plug + Connector:375+730;H05VV-F3G0.75		(BR)
15	1.0000	PC	Q76-15212-03119	A76-15212-03119	CABLE;AC-CORD;W/POLYBAG;LENGTH:152cm;H05VV-F 3G 0.75MM2;VERSION;EU;SPEC.NO:03119		(EU)
16	1.0000	PC	Q76-00000-13573	A76-00000-13573	CABLE;AC-CORD;3;AR;1500 MM;Plug + Connector:321+730;H05VV-F3G0.75		(AR)
17	1.0000	PC	Q76-18050-47490	A76-18050-47490	CABLE;AC-CORD;LENGTH:180cm;VERSION:SAA;PLUG:HE105 ISOLATED;SAA H05VV-F 3x0.75mm2;CONN.HP-3;SPEC.NO:47490		(SAA)
18	1.0000	PC	Q76-15222-06417	A76-15222-06417	CABLE;AC-CORD;W/POLYBAG;LENGTH:152cm;AWG:18;VERSION;UL;SPEC.NO:06417		(UL)

Capacitor

	Quantity	Unit	S.Sku	M.Sku	Description	Reference Designators	Notes
1	1.0000	PC			CAP E;220uF;10V;PITCH:2mm5;6mm x 11mm;VERTICAL 12.7-15-9mm	[P0B01:1: {1.0}(C159)]	*NOT available in DP
2	1.0000	PC			CAP E;470uF;10V;PITCH:2mm5;6mm3 x 11mm;VERTICAL 12.7-15-9mm	[P0B01:3: {1.0}(C4)]	*NOT available in DP
3	7.0000	PC			CAP E;100uF;16V;PITCH:2mm5;5mm x 11mm;VERTICAL 12.7-15-9mm	[P0B01:1: {5.0}(C90,C149-C150,C160,C163)]	*NOT available in DP
4	1.0000	PC			CAP E;220uF;16V;PITCH:2mm5;6mm3 x 12mm;VERTICAL 12.7-15-9mm	[P0B01:3: {1.0}(C31)]	*NOT available in DP
5	43.0000	PC			CAP E;47uF;25V;PITCH:2mm5;5mm x 11mm;VERTICAL 12.7-15-9mm	[P0B01:1: {36.0}(C15-C16,C31,C34-C35,C52-C54,C67,C70-C71,C76,C78,C82-C83,C154,C166-C169,C188-C189,C199,C201-C202,C204,C207-C208,C217,C219,C221,C223,C227-C228,C274-C275)]	*NOT available in DP
6	2.0000	PC			CAP E;100uF;25V;PITCH:2mm5;6mm x 12mm;VERTICAL 12.7-15-9mm	[P0B01:1: {2.0}(C155-C156)]	*NOT available in DP
7	1.0000	PC			CAP E;470uF;25V;PITCH:5mm;10mm x 13mm;VERTICAL 12.7-15-9mm	[P0B01:1: {1.0}(C79)]	*NOT available in DP
8	1.0000	PC			CAP E;470uF;35V;PITCH:5mm;8mm x 16mm;VERTICAL 12.7-15-9mm	[P0B01:3: {1.0}(C37)]	*NOT available in DP
9	1.0000	PC			CAP E;1uF;50V;PITCH:2mm5;5mm x 11mm;VERTICAL 12.7-15-9mm	[P0B01:1: {1.0}(C152)]	*NOT available in DP
10	4.0000	PC			CAP E;2uF2;50V;PITCH:2mm5;5mm x 11mm;VERTICAL 12.7-15-9mm	[P0B01:1: {4.0}(C173-C174,C179-C180)]	*NOT available in DP
11	2.0000	PC			CAP E;4uF7;50V;PITCH:2mm5;5mm x 11mm;VERTICAL 12.7-15-9mm	[P0B01:1: {2.0}(C5,C92)]	*NOT available in DP
12	49.0000	PC			CAP E;10uF;50V;PITCH:2mm5;5mm x 11mm;VERTICAL 12.7-15-9mm	[P0B01:1: {25.0}(C80-C81,C93,C104,C115,C183-C186,C218,C220,C222,C224-C226,C229-C230,C250,C252,C255-C256,C259,C261,C277,C281)]	*NOT available in DP
13	1.0000	PC			CAP E;47uF;50V;PITCH:2mm5;6mm x 11mm;VERTICAL 12.7-15-9mm	[P0B01:2: {1.0}(C34)]	*NOT available in DP
14	1.0000	PC			CAP E;220uF;50V;PITCH:5mm;10mm x 16mm;VERTICAL 12.7-15-9mm	[P0B01:2: {1.0}(C29)]	*NOT available in DP
15	1.0000	PC			CAP E;22uF;100V;PITCH:2mm5;6mm3 x 11mm;VERTICAL 12.7-15-9mm	[P0B01:3: {1.0}(C11)]	*NOT available in DP
16	1.0000	PC			CAP E;1 mF;6V3;PITCH:5 MM;SIZE:8X11;L: 11+0.5MM;AI;VERTICAL 12.7-15-9mm;85C	[P0B01:2: {1.0}(C83)]	*NOT available in DP
17	2.0000	PC			CAP E;47uF;25V;PITCH:2mm5;5mm x 11mm;PRE CUT:3mm2 - 0/+0mm2	[P0B01:1: {2.0}(C10-C11)]	*NOT available in DP
18	2.0000	PC			CAP CER;1 nF;500 V;COG;5 %;SMD1206	[P0B01:3: {2.0}(C151,C154)]	*NOT available in DP
19	4.0000	PC			CAP CER;1 uF;100 V;X7R;10 %;SMD1206;TDK: C3216X7R2A105KT	[P0B01:3: {4.0}(C130,C133,C141-C142)]	*NOT available in DP
20	1.0000	PC			CAP CER;470nF;10V;X5R;10%;SMT603;(MURATA GRM188R61A474KA61D)	[P0B01:1: {1.0}(C129)]	*NOT available in DP
21	3.0000	PC			CAP CER;100nF;25V;X5R;10%;SMT603	[P0B01:3: {3.0}(C124,C128,C144)]	*NOT available in DP
22	1.0000	PC			CAP CER;1uF;25V;X7R;10%;SMT1206	[P0B01:3: {1.0}(C86)]	*NOT available in DP
23	1.0000	PC			CAP CER;2.2 uF;25 V;X7R;10 %;SMD1206	[P0B01:3: {1.0}(C70)]	*NOT available in DP
24	12.0000	PC			CAP CER;10pF;50V;10%;SMT603	[P0B01:02: {12.0}(C21-C28,C56-C57,C67,C69)]	*NOT available in DP
25	23.0000	PC			CAP CER;20pF;50V;20%;SMT603	[P0B01:1: {23.0}(C23-C24,C44-C45,C105,C118,C121,C175-C178,C192-C195,C264,C266-C270,C279,C283)]	*NOT available in DP
26	2.0000	PC			CAP CER;47pF;50V;5%;COG(NPO);SMT603	[P0B01:1: {2.0}(C59,C68)]	*NOT available in DP
27	18.0000	PC			CAP CER;100pF;50V;20%;SMT603	[P0B01:1: {2.0}(C214-C215)]	*NOT available in DP
28	8.0000	PC			CAP CER;220pF;50V;10%;SMT603	[P0B01:1: {8.0}(C119,C131,C145,C153,C205-C206,C209,C211)]	*NOT available in DP
29	4.0000	PC			CAP CER;330pF;50V;20%;SMT603	[P0B01:3: {4.0}(C76,C80-C81,C85)]	*NOT available in DP
30	4.0000	PC			CAP CER;470pF;50V;10%;SMT603	[P0B01:1: {4.0}(C30,C48,C50-C51)]	*NOT available in DP
31	4.0000	PC			CAP CER;680pF;50V;10%;SMT603	[P0B01:02: {4.0}(C30-C33)]	*NOT available in DP
32	2.0000	PC			CAP CER;680pF;50V;COG;5%;SMD603	[P0B01:1: {2.0}(C197-C198)]	*NOT available in DP
33	1.0000	PC			CAP CER;2nF2;50V;10%;SMT603	[P0B01:1: {1.0}(C102)]	*NOT available in DP

	Quantity	Unit	S.Sku	M.Sku	Description	Reference Designators	Notes
34	16.0000	PC			CAP CER;3nF3;50V;10%;SMT603	[P0B01:1: {1.4.0}(C2,C4,C8-C9,C88-C89,C98-C99,C126-C127,C138-C140,C147)]	*NOT available in DP
35	8.0000	PC			CAP CER;4nF7;50V;10%;SMT603	[P0B01:1: {6.0}(C13,C21,C27-C29,C49)]	*NOT available in DP
36	2.0000	PC			CAP CER;6nF8;50V;10%;SMT603	[P0B01:1: {2.0}(C20,C74)]	*NOT available in DP
37	2.0000	PC			CAP CER;8nF2;50V;10%;SMT603	[P0B01:1: {2.0}(C141,C148)]	*NOT available in DP
38	9.0000	PC			CAP CER;10nF;50V;10%;SMT603	[P0B01:1: {4.0}(C14,C22,C64,C73)]	*NOT available in DP
39	6.0000	PC			CAP CER;22nF;50V;10%;SMT603	[P0B01:1: {6.0}(C18,C47,C56-C57,C63,C65)]	*NOT available in DP
40	10.0000	PC			CAP CER;33nF;50V;10%;SMT603	[P0B01:1: {10.0}(C12,C17,C19,C25-C26,C46,C55,C61-C62,C66)]	*NOT available in DP
41	73.0000	PC			CAP CER;100nF;50V;10%;SMT603	[P0B01:1: {56.0}(C6-C7,C32-C33,C36-C43,C58,C60,C69,C72,C75,C77,C91,C101,C106-C114,C120,C128,C130,C142-C144,C151,C170-C171,C181-C182,C190-C191,C200,C203,C210,C212-C213,C216,C251,C258,C263,C265,C272-C273,C276,C280)]	*NOT available in DP
42	1.0000	PC			CAP CER;470pF;50V;COG;2%;SMD805	[P0B01:3: {1.0}(C101)]	*NOT available in DP
43	1.0000	PC			CAP CER;1nF;50V;10%;SMT805	[P0B01:3: {1.0}(C148)]	*NOT available in DP
44	6.0000	PC			CAP CER;1nF;50V;COG;5%;SMD805	[P0B01:3: {6.0}(C103-C105,C108-C110)]	*NOT available in DP
45	1.0000	PC			CAP CER;4nF7;50V;10%;SMT805	[P0B01:3: {1.0}(C95)]	*NOT available in DP
46	6.0000	PC			CAP CER;10nF;50V;10%;SMT805	[P0B01:02: {3.0}(C58,C72,C79)]	*NOT available in DP
47	8.0000	PC			CAP CER;33nF;50V;10%;SMT805	[P0B01:1: {8.0}(C86-C87,C96-C97,C124-C125,C136-C137)]	*NOT available in DP
48	46.0000	PC			CAP CER;100nF;50V;X7R;10%;SMT805	[P0B01:1: {10.0}(C116-C117,C132-C133,C157-C158,C161-C162,C164-C165)]	*NOT available in DP
49	8.0000	PC			CAP CER;330nF;50V;10%;SMT805	[P0B01:1: {8.0}(C84-C85,C94-C95,C122-C123,C134-C135)]	*NOT available in DP
50	1.0000	PC			CAP CER;10nF;100V;10%;SMT805	[P0B01:1: {1.0}(C146)]	*NOT available in DP
51	1.0000	PC			CAP CER;2nF2;100V;X7R;20%;SMT1206	[P0B01:3: {1.0}(C149)]	*NOT available in DP
52	6.0000	PC			CAP CER;100nF;100V;X7R;10%;SMD1206	[P0B01:3: {6.0}(C121-C122,C138-C139,C146-C147)]	*NOT available in DP
53	16.0000	PC			CAP MYL;10nF;50V;10%;PITCH:5mm;DIPPED;VERTICAL 12.7-15-9mm	[P0B01:1: {16.0}(C284-C299)]	*NOT available in DP
54	8.0000	PC			CAP MYL;33nF;50V;10%;PITCH:5mm;DIPPED;VERTICAL 12.7-15-9mm	[P0B01:1: {8.0}(C233-C236,C239-C242)]	*NOT available in DP
55	8.0000	PC			CAP MYL;33nF;100V;10%;PITCH:5mm;DIPPED;VERTICAL 12.7-15-9mm	[P0B01:1: {8.0}(C231-C232,C237-C238,C243-C246)]	*NOT available in DP
56	8.0000	PC			CAP MYL;3nF9;50V;10%;PITCH:3mm5;DIPPED;PRECUT 3mm1+/-0mm5	[P0B01:1: {8.0}(C249,C253-C254,C257,C260,C262,C278,C282)]	*NOT available in DP
57	1.0000	PC			CAP FILM;10nF;100V;MPF;10%;PITCH:5mm;BOX;VERTICAL 12.7-15-9mm	[P0B01:3: {1.0}(C40)]	*NOT available in DP
58	1.0000	PC			CAP Y1;2nF2;250V;P:10mm0;PRECUT:3MM1+/-0MM5	[P0B01:3: {1.0}(C48)]	*NOT available in DP
59	4.0000	PC			CAP Y2;2nF2;250V;PITCH:7mm5;DISC;CASE:4 x 10mm	[P0B01:3: {4.0}(C2-C3,C45-C46)]	*NOT available in DP
60	1.0000	PC			CAP E;BIPOLAR;47uF;16V;20%;SIZE:6mm3x11mm;PITCH:2mm5;VERTICAL 12.7-15-9mm	[P0B01:3: {1.0}(C47)]	*NOT available in DP
61	2.0000	PC			CAP E;BIPOLAR;10uF;50V;20%;SIZE:5mmx11mm;PITCH:2mm5;VERTICAL 12.7-15-9mm	[P0B01:3: {2.0}(C17,C19)]	*NOT available in DP
62	2.0000	PC			CAP E;820 uF;200 V;20 %;25 x 46mm;PITCH:10 mm;SNAP-IN;LP SERIES	[P0B01:3: {2.0}(C27-C28)]	*NOT available in DP
63	3.0000	PC	R12-23100-04988	B12-23100-04988	CAP X2;1uF;275V;P:22mm5;10%	[P0B01:3: {3.0}(C10,C43,C55)]	
64	3.0000	PC			CAP E;1mF;16V;PITCH:5mm;10mm x 16mm;105C;LOW ESR;VERTICAL 12.7-15-9mm	[P0B01:3: {3.0}(C25-C26,C39)]	*NOT available in DP
65	2.0000	PC			CAP E;2.2 mF;80 V;20 %;10 MM;RADIAL;22X40mm;105C;SNAP-IN	[P0B01:3: {2.0}(C53,C57)]	*NOT available in DP
66	12.0000	PC			CAP CER;10nF;500V;PITCH:5mm;DISC;VERTICAL 12.7-15-9mm	[P0B01:3: {4.0}(C62-C63,C66-C67)]	*NOT available in DP
67	2.0000	PC			CAP CER;10 nF;500 V;X7R;5 %;SMD1206	[P0B01:3: {2.0}(C152,C155)]	*NOT available in DP
68	10.0000	PC			CAP CER;100pF;1KV;COG;10%;SMT1206	[P0B01:3: {10.0}(C115-C116,C131-C132,C134-C136,C140,C164-C165)]	*NOT available in DP
69	2.0000	PC			CAP CER;470pF;1KV;X7R;10%;SMT1206	[P0B01:3: {2.0}(C150,C153)]	*NOT available in DP

	Quantity	Unit	S.Sku	M.Sku	Description	Reference Designators	Notes
70	2.0000	PC			CAP CER;100nF;200V;X7R;10%;SMT1206	[P0B01:3: {2.0}(C143,C160)]	*NOT available in DP
71	2.0000	PC			CAP FILM;220 nF;250 V;PPM;5 %;RADIAL;12.5 x 12.5 x 8mm;CBB25;PRE CUT:3MM1+/-0MM5	[P0B01:3: {2.0}(C68-C69)]	*NOT available in DP
72	4.0000	PC			CAP FILM;1 uF;250 V;PPM;5 %;17.5 x 15 x 9.5mm;PITCH:15 mm;CBB21;REDUCED SIZE	[P0B01:3: {4.0}(C34-C35,C58-C59)]	*NOT available in DP
73	2.0000	PC			CAP FILM;100 nF;630 V;PPM;5 %;15 MM;RADIAL;17.5 x 16 x 10mm	[P0B01:3: {2.0}(C41-C42)]	*NOT available in DP
74	2.0000	PC			CAP FILM;2uF2;250V;MPF;AXIAL;PRE CUT 25+-1 mm	[P0B01:4: {1.0}(C2)]	*NOT available in DP
75	4.0000	PC			CAP FILM;6uF;250V;MPF;AXIAL; PRE CUT 25+-1 mm	[P0B01:4: {2.0}(C1,C3)]	*NOT available in DP
76	1.0000	PC			CAP FILM;100nF;400V;MPF;PITCH:10mm;PRE CUT:3mm1 +/-0mm5	[P0B01:3: {1.0}(C44)]	*NOT available in DP
77	1.0000	PC			CAP E;100uF;25V;PITCH:2mm5;6mm3 x 11mm;105C;VERTICAL 12.7-15-9mm	[P0B01:3: {1.0}(C64)]	*NOT available in DP
78	3.0000	PC			CAP E;47uF;35V;20%;PITCH:2mm5;5mm x 11mm;105C;VERTICAL 12.7-15-9mm	[P0B01:3: {3.0}(C8-C9,C65)]	*NOT available in DP
79	1.0000	PC			CAP E;470uF;35V;PITCH:5mm;10mm x 16mm;105C;VERTICAL 12.7-15-9mm	[P0B01:3: {1.0}(C38)]	*NOT available in DP
80	2.0000	PC			CAP E;1mF;35V;PITCH:5mm;13mm x 21mm;105C;VERTICAL 12.7-15-9mm	[P0B01:3: {2.0}(C54,C56)]	*NOT available in DP
81	2.0000	PC			CAP E;1uF;50V;PITCH:2mm5;5mm x 11mm;105C;VERTICAL 12.7-15-9mm	[P0B01:2: {2.0}(C60-C61)]	*NOT available in DP
82	5.0000	PC			CAP E;22uF;50V;20%;PITCH:2mm5;5mm x 7mm;105C;VERTICAL 12.7-15-9mm	[P0B01:3: {5.0}(C20,C29-C30,C32-C33)]	*NOT available in DP
83	2.0000	PC			CAP E;47uF;50V;PITCH:2mm5;6.3mmx11mm;VERTICAL 12.7-15-9mm	[P0B01:3: {2.0}(C1,C5)]	*NOT available in DP
84	4.0000	PC			CAP E;105C;470 uF;100 V;20 %;16mm x 25mm;PITCH:7.5 mm;(PANASONIC:ECA2AHG471)	[P0B01:3: {4.0}(C49-C52)]	*NOT available in DP
85	8.0000	PC			CAP E;47uF;50V;PITCH:2mm5;6mm x 11mm;LOW LEAKAGE;VERTICAL 12.7-15-9mm	[P0B01:02: {3.0}(C9,C11,C13)]	*NOT available in DP

Circuit Protector

	Quantity	Unit	S.Sku	M.Sku	Description	Reference Designators	Notes
1	1.0000	PC	R22-01515-00001	B22-01515-00001	FUSE;5A;250V;SLOW BLOW;H-TYPE;5mm x 20mm		(EU, UK, SAA, AR)
2	1.0000	PC	R22-01513-80001	B22-01513-80001	FUSE;8A;250V;SLOW BLOW;H-TYPE;5mm x 20mm		(UL, BR, HM, SH)

Coil

	Quantity	Unit	S.Sku	M.Sku	Description	Reference Designators	Notes
1	2.0000	PC		B33-16800-02149	COIL;68uH;PITCH;17mm;CORE SIZE:24mm x 10mm x 10mm TURNS:85;RAD;WIRE DIA:.0mm7	[P0B01:4: {1.0}(L2)]	
2	2.0000	PC		B33-31900-02150	COIL;1mH9;PITCH:3.3mm47;CORE SIZE:35mm62 x 30mm x 7mm TURNS:126.5;RAD;WIRE DIA:.1mm	[P0B01:4: {1.0}(L1)]	
3	2.0000	PC	R37-00000-76103	B37-00000-76103	COIL;CHOKE;2.3 mH;0.5 OHM;10 MM;2.3mH@1KHz 0.25V	[P0B01:3: {2.0}(L1-L2)]	
4	5.0000	PC	R37-76100-05127	B37-76100-05127	COIL;CHOKE;61 uH;P:6MM;T10X6X5	[P0B01:3: {3.0}(L3,L8-L9)]	
5	11.0000	PC	R39-00000-03394	B39-00000-03394	COIL;SMD;BEAD;SMD0805;(BLM21BD751SN1D)	[P0B01:1: {8.0}(L1-L8)]	
6	3.0000	PC	R39-00000-03395	B39-00000-03395	COIL;SMD;BEAD;SMD1806;(BLM41P800S)	[P0B01:3: {3.0}(L12-L14)]	
7	2.0000	PC	R39-21202-00018	B39-21202-00018	COIL;SMD BEAD;SMD1608;(MURATA BLM18BB121))	[P0B01:3: {2.0}(L10-L11)]	
8	2.0000	PC	R40-00000-76107	B40-00000-76107	COIL;TOROID;22 uH;T106-2 CHOKE COIL	[P0B01:3: {2.0}(L6-L7)]	
9	2.0000	PC	R44-32140-04436	B44-32140-04436	FERRITE BEAD;RH9.8*11.5*1.0(SUPERWORLD;R17-19-00099)	[P0B01:3: {2.0}(L4-L5)]	

Connector

	Quantity	Unit	S.Sku	M.Sku	Description	Reference Designators	Notes
1	1.0000	PC	R83-00000-35510	B83-00000-35510	CONNECTOR;9;NICKEL;SOCKET;USB3.0;VERTICAL;H:24mm	[P0B01:02: {1.0}(X14)]	
2	10.0000	PC	R84-00000-01617	B84-00000-01617	AMP TERMINAL;BRASS;707A-BS-2		
3	4.0000	PC	R84-00000-01620	B84-00000-01620	AMP TERMINAL;BRASS W TIN;7205A-BS-2		
4	4.0000	PC	R84-19056-06015	B84-19056-06015	CONNECTOR;TERMINAL;BRASS W TIN;AWG16-22;JS-4008-T		
5	4.0000	PC	R84-22000-06018	B84-22000-06018	CRIMP TERMINAL;PITCH:3mm96;AWG18-22;A3963TOP-2		
6	29.0000	PC	R84-25016-06014	B84-25016-06014	CRIMP TERMINAL;PITCH:2mm0;AWG24-30;A2008TOP-2		
7	4.0000	PC	R84-30000-06293	B84-30000-06293	JACKET;FOR 205 TERMINAL.;DIA:4mm		
8	4.0000	PC	R84-30055-53405	B84-30055-53405	CONNECTOR;AMP CONN TERMINAL;MALE;ANGLED;MATERIAL:BRASS 0mm7;PLATING:ZINC;SINGLE;W/ HOLES 2xDIA 3mm9 + 1xDIA 2mm;(LS-TR13_4B0_7A-REVC.DWG)		
9	2.0000	PC	R84-30060-06007	B84-30060-06007	JACKET;FOR 6mm35 AMP CONNECTOR;PVC;STRAIGHT;DIAMETER:3mm		
10	8.0000	PC	R84-30060-06009	B84-30060-06009	JACKET;FOR 6mm35 AMP CONNECTOR;PVC;STRAIGHT;DIAMETER:4mm		
11	6.0000	PC	R84-39000-03120	B84-39000-03120	CONNECTOR;AMP;PCB;PCB MOUNT;PITCH:5mm;WIDTH:6mm3	[P0B01:3: {6.0}(X4-X5,X7-X10)]	
12	1.0000	PC	R84-42050-00155	B84-42050-00155	CRIMP CONNECTOR;LUG;INNER DIA:4mm3;AWG 14-18;WIRE MOUNT;STRAIGHT		
13	2.0000	PC		B92-90840-48515	CONNECTOR;TERMINAL ASSY;POLES:2;SPEAKER;BASE PLATE:WHITE FIBRE PAPER;TERMINALS:4;(LS-TR29W08A-REVA.DWG)		
14	4.0000	PC	R95-14340-00164	B95-14340-00164	CONNECTOR;XLR;SOCKET;FEMALE;STRAIGHT;POLES:3;NO:06;(CHUN SHENG CT3-02HF)	[P0B01:02: {4.0}(X7-X10)]	
15	1.0000	PC	R93-00000-29798	B93-00000-29798	BARE WIRE;DIA:1MM;L:7.5MM;PRE-CUT:3.3MM	[P0B01:00: {1.0}(J1)]	(UL, BR, HM, SH)

Diode

	Quantity	Unit	S.Sku	M.Sku	Description	Reference Designators	Notes
1	2.0000	PC			DIODE;SCHOTTKY;30 V;SOT23;BAT54C	[P0B01:3: {2.0}(D9-D10)]	*NOT available in DP
2	4.0000	PC			DIODE;SCHOTTKY;200 V;DO-214A?;2A;200V;MB220;DO- 214AA(SMB);SMD	[P0B01:3: {4.0}(D24,D26-D28)]	*NOT available in DP
3	13.0000	PC			DIODE;LL4148;LL34;TEMIC OR FC;SMD	[P0B01:1: {3.0}(D1-D3)]	*NOT available in DP
4	1.0000	PC			DIODE;MUR1620CT;ULTRAFAST RECTIFIER 8A;200V;TO220AB;BRAND:ON SEMICONDUCTOR	[P0B01:3: {1.0}(D3)]	*NOT available in DP
5	1.0000	PC			DIODE;SUPERFAST;ER1J;600V;1A;35NS;DO-214AA;SMD	[P0B01:3: {1.0}(D11)]	*NOT available in DP
6	1.0000	PC			DIODE;ZMM05V1;SMD1206	[P0B01:02: {1.0}(D4)]	*NOT available in DP
7	1.0000	PC			DIODE;ZMM13V0;SMD1206	[P0B01:3: {1.0}(D13)]	*NOT available in DP
8	1.0000	PC			DIODE;ZMM15V0;SMD1206	[P0B01:3: {1.0}(D12)]	*NOT available in DP
9	1.0000	PC			DIODE;ZMM24V0;SMD1206	[P0B01:3: {1.0}(D29)]	*NOT available in DP
10	1.0000	PC			DIODE;ZMM47V0;SMD1206	[P0B01:3: {1.0}(D8)]	*NOT available in DP
11	1.0000	PC			DIODE;RECTIFIER;MUR1620CTR;TO220AB	[P0B01:3: {1.0}(D2)]	*NOT available in DP
12	1.0000	PC			DIODE;BRIDGE;KBJ2510;1000V;25A	[P0B01:3: {1.0}(D1)]	*NOT available in DP
13	10.0000	PC			DIODE;SUPERFAST;ES1D;200V;1A;15NS;DO-214AC;SMD	[P0B01:3: {10.0}(D4,D6,D15,D17-D21,D23,D25)]	*NOT available in DP

Display

	Quantity	Unit	S.Sku	M.Sku	Description	Reference Designators	Notes
1	1.0000	PC	S28-00000-32334	C28-00000-32334	DISPLAY;LED;Pattern:8.8;0.3 IN;AMBER;COMMON ANODE;SIZE:1.5X15	[P0B01:1: {1.0}(LD2)]	

Hardware

	Quantity	Unit	S.Sku	M.Sku	Description	Reference Designators	Notes
1	8.0000	PC			CABLE TIE;WIDTH:3mm;LENGTH:150mm		*NOT available in DP
2	1.0000	PC			WIRECLAMP;LUG:4mm4;LENGTH:56mm;OUTER DIA;8mm;PLASTIC COVERED STEEL;COLOR:BLK		*NOT available in DP
3	9.8800	G			THERM-GREASE;COLOR:WHT;SPEC.NO:09286		*NOT available in DP
4	0.5000	G			SCREWLOCK;SPEC.NO:01090		*NOT available in DP
5	4.0000	PC			NUT;M:4 MM;4.2 MM;HEX WASHER;8.3 MM;ZINC;BLUE;HEXAGON REC.;0.5 MM;M4*0.75mm NUT WITH TEETH EXTERNAL WASHER		*NOT available in DP
6	1.0000	PC			HEX. NUT;INNER DIA;M4mm;SURFACE:ZINC		*NOT available in DP
7	12.0000	PC			HEX. NUT;FOR JACK;M 3/8in;HEXWRENCH:12mm5;THICKNESS:2mm4;SURFACE:NICKEL/SILVER		*NOT available in DP
8	2.0000	PC			HEX. NUT;FOR JACK;M 3/8in;HEXWRENCH:11mm;THICKNESS:2mm4;SURFACE:NICKEL/SILVER		*NOT available in DP
9	2.0000	PC			OCT. NUT;FOR JACK;3/8in;OCTWRENCH:14.5mm;THICKNESS:3.5mm;SURFACE:NICKEL/SILVER		*NOT available in DP
10	2.0000	PC		F87-00100-06116	RUBBER FOOT1;P0431;DST.NO:001;DPT.NO:06116(P0431-RUBBER_FOOT1-REVA.DWG)		
11	2.0000	PC		F87-00100-06121	RUBBER FOOT2;P0431;DST.NO:001;DPT.NO:06121(P0431-RUBBER_FOOT2-REVA.DWG)		
12	1.0000	PC		F87-00100-14248	ELECTRIC FOAM;P0431;DST.NO:001;DPT.NO:14248;(P0431-ELECTRIC_FOAM-REVA.DWG)		
13	1.0000	PC	V87-00200-10103	F87-00200-10103	RUBBER BUSHING;I00172P;DST.NO:002;DPT.NO:10103;(I00172P-RUBBER_BUSHING-REVB.dwf)		
14	2.0000	PC	V87-00200-10380	F87-00200-10380	RUBBER GASKET;P0431;DST.NO:002;DPT.NO:10380;(P0431-RUBBER_GASKET-REVB.DWG)		
15	16.0000	PC			SCREW;A;5.3 MM;35 MM;BINDING;ZINC;BLACK;PHILIPS RE		*NOT available in DP
16	7.0000	PC			SCREW;M3mm*5mm;HEAD:PAN;INSERT:PHILIPS REC.;SURFACE:BLACK/ZINC		*NOT available in DP
17	18.0000	PC			SCREW;M3mm*06mm;HEAD:PAN SPRING WASHER;INSERT:PHILIPS REC.;SURFACE:SILVER/ZINC		*NOT available in DP
18	8.0000	PC			SCREW;A3mm*8mm;HEAD:PAN;INSERT:PHILIPS REC.;SURFACE:BLACK/ZINC		*NOT available in DP
19	10.0000	PC			SCREW;M3mm*8mm;HEAD:PAN;INSERT:PHILIPS REC.;SURFACE:BLACK/ZINC		*NOT available in DP
20	20.0000	PC			SCREW;M03mm*08mm;HEAD:PAN SPRING WASHER;INSERT:PHILIPS REC.;SURFACE:SILVER/ZINC		*NOT available in DP
21	21.0000	PC			SCREW;A3mm*10mm;HEAD:PAN;INSERT:PHILIPS REC.;SURFACE:BLACK/ZINC		*NOT available in DP
22	8.0000	PC			SCREW;M3mm*10mm;HEAD:PAN;INSERT:PHILIPS REC.;SURFACE:BLACK/ZINC		*NOT available in DP
23	16.0000	PC			SCREW;BT3mm*12mm;HEAD:PAN;INSERT:PHILIPS REC.;SURFACE:BLACK/ZINC		*NOT available in DP
24	2.0000	PC			SCREW;M3mm*12mm;HEAD:PAN SPRING WASHER;INSERT:PHILIPS REC.;SURFACE:SILVER/ZINC		*NOT available in DP
25	8.0000	PC			SCREW;M3mm*15mm;HEAD:PAN;INSERT:PHILIPS REC.;SURFACE:BLACK/ZINC		*NOT available in DP
26	3.0000	PC			SCREW;M4mm*8mm;HEAD:BINDING;INSERT:PHILIPS REC.;SURFACE:BLACK/ZINC		*NOT available in DP
27	20.0000	PC			SCREW;M4mm*10mm;HEAD:BINDING;INSERT:PHILIPS REC.;SURFACE:BLACK/ZINC		*NOT available in DP
28	8.0000	PC			SCREW;M4mm*12mm;HEAD:BINDING;INSERT:PHILIPS REC.;SURFACE:BLACK/ZINC		*NOT available in DP

	Quantity	Unit	S.Sku	M.Sku	Description	Reference Designators	Notes
29	3.0000	PC			SCREW;M4mm*12mm;HEAD:PAN;INSERT:PHILIPS REC.;SURFACE:BLACK/ZINC		*NOT available in DP
30	16.0000	PC			SCREW;A4mm*18mm;HEAD:BINDING;INSERT:PHILIPS REC.;SURFACE:BLACK/ZINC		*NOT available in DP
31	16.0000	PC			SCREW;M4mm*20mm;HEAD:PAN;INSERT:PHILIPS REC.;SURFACE:BLACK/ZINC		*NOT available in DP
32	2.0000	PC			SCREW;A4mm*25mm;HEAD:BINDING;INSERT:PHILIPS REC.;SURFACE:BLACK/ZINC		*NOT available in DP
33	4.0000	PC			SCREW;M4mm*32mm;HEAD:PAN;INSERT:PHILIPS REC.;SURFACE:BLACK/ZINC		*NOT available in DP
34	2.0000	PC			SCREW;A5mm*35mm;HEAD:BINDING;INSERT:PHILIPS REC.;SURFACE:BLACK/ZINC		*NOT available in DP
35	2.0000	PC	V89-32023-00194	F89-32023-00194	INSULATION SHEET;TO247 W/HOLE;ALUMINIUM OXIDE CERAMIC INSULATOR;THICKNESS:2mm03;HOLE DIAMETER:3mm96;(LANXIN)		
36	1.0000	PC			SILICA GEL;MASS;30g;SPEC.NO:30QB-BB2001-4		*NOT available in DP
37	10.0000	PC			STUD;THREAD-DIA;3mm;LENGTH:13mm8;INT/INT		*NOT available in DP
38	4.0000	PC			STUD;THREAD-DIA;3mm;LENGTH:15mm3;EXT/INT;EXT;5mm		*NOT available in DP
39	7.0000	PC			STUD;THREAD-DIA;3mm;LENGTH:16mm0;INT/INT		*NOT available in DP
40	1.2760	M			SHRINKING TUBE;INNER DIA;1mm;SPEC.NO:43217		*NOT available in DP
41	0.0300	M			SHRINKING TUBE;INNER DIA;3mm;SPEC.NO:01097		*NOT available in DP
42	0.1300	M			SHRINKING TUBE;INNER DIA;4mm;SPEC.NO:01098		*NOT available in DP
43	2.0000	PC			WASHER;9.7 MM;16 MM;NICKEL;WHITE;WASHER;FLAT;DIM:9.7*16*0.5mm;NIC		*NOT available in DP
44	2.0000	PC			WASHER;PLAIN;INNER DIA:3mm;OUTER DIA:8mm;THICKNESS;1mm;PLATING;NICKEL		*NOT available in DP
45	2.0000	PC			WASHER;PLAIN;INNER DIA:4mm;OUTER DIA:10mm;THICKNESS;1mm;PLATING;BLACK/ZINC		*NOT available in DP
46	14.0000	PC			WASHER;PLAIN;INNER DIA:9mm6;OUTER DIA:13mm;THICKNESS;0mm5;PLATING;NICKEL		*NOT available in DP
47	1.0000	PC			WASHER;SPRING;INNER DIA:4mm;OUTER DIA:7mm;THICKNESS;1mm7		*NOT available in DP
48	1.0000	PC			WASHER;EXTERNAL TEETH;INNER DIA:4mm;OUTER DIA:7mm;THICKNESS;1mm7		*NOT available in DP
49	6.0000	PC	V97-00000-18617	F97-00000-18617	INSULATION SHEET;AL OXIDE;TO220;1mm,19.4x14x1		
50	2.0000	PC	V97-00000-75873	F97-00000-75873	SHEET;P0B01;P0B01-HEATSINK_SPACER_A		
51	1.0000	PC	V97-00000-75874	F97-00000-75874	SHEET;P0B01;P0B01-HEATSINK_SPACER_B		
52	2.0000	PC		F97-00001-08458	ACOUSTICAL FOAM;P0B01-ACOUSTICAL-FOAM-REVB		
53	1.0000	PC		F97-00100-00481	SHEET;PMX8805;SLIDE- SWITCH;PVC;DST.NO:001;DPT.NO:00481;(PMX8805-SLIDE-SWPVC- SHEET-REVA.DWG)		
54	3.4000	G	V97-00100-03175	F97-00100-03175	PAPER,KRAFT;WIDTH:300mm;THICKNESS:0mm1		
55	6.0000	PC			BUSHING;MINIATURE;NYLON;DWG.NO:27886;(R20-SC- PLA_NYLBUSHM3x1_4.DWG)		*NOT available in DP

Ic

	Quantity	Unit	S.Sku	M.Sku	Description	Reference Designators	Notes
1	1.0000	PC	S60-54422-00528	C60-22422-00528	IC;AD/DA;V4220M;SSOP	[POB01:1: {1.0}{IC14}]	
2	2.0000	PC	S61-00000-65674	C61-00000-65674	IC;POWER AMP;SMD;SOIC16N;16;IRS2092STRPBF	[POB01:3: {2.0}{IC13-IC14}]	
3	20.0000	PC		C73-00000-29050	IC;OPAMP;SMD;SOP;8;BA4580RF	[POB01:1: {12.0}{IC7-IC8,IC20-IC21,IC24-IC31}]	
4	10.0000	PC	S73-58007-40514	C73-31007-40514	IC;OPAMP OPAMP;TL074;SOP;	[POB01:1: {10.0}{IC1-IC6,IC15-IC18}]	
5	1.0000	PC	S74-55031-71403	C74-55031-71403	IC;VOLT.REGULATOR;LM317F;TO220 FULL	[POB01:3: {1.0}{IC4}]	
6	1.0000	PC	S77-03128-03001	C77-03128-03001	IC;VOLT.REGULATOR;NCP1117ST3T3;SOT223	[POB01:1: {1.0}{IC19}]	
7	1.0000	PC	S77-05107-03110	C77-05107-03110	IC;VOLT.REGULATOR;7805F;FULLPACK;TO220	[POB01:3: {1.0}{IC2}]	
8	1.0000	PC	S77-05152-03001	C77-05152-03001	IC;VOLT.REGULATOR;78L05;SOT89	[POB01:3: {1.0}{IC7}]	
9	1.0000	PC	S77-05252-03001	C77-05252-03001	IC;VOLT.REGULATOR;79L05;SOT89	[POB01:3: {1.0}{IC11}]	
10	1.0000	PC	S77-12107-03110	C77-12107-03110	IC;VOLT.REGULATOR;7812F;FULLPACK;TO220	[POB01:3: {1.0}{IC3}]	
11	1.0000	PC	S77-15107-03110	C77-15107-03110	IC;VOLT.REGULATOR;7815F;FULLPACK;TO220	[POB01:3: {1.0}{IC5}]	
12	1.0000	PC	S77-15207-03110	C77-15207-03110	IC;VOLT.REGULATOR;7915F;FULLPACK;TO220	[POB01:3: {1.0}{IC6}]	
13	1.0000	PC	S78-55039-32208	C78-55039-32208	IC;COMPARATOR;LM393;SOIC	[POB01:3: {1.0}{IC15}]	
14	1.0000	PC	S78-55133-90514	C78-55133-90514	IC;COMPARATOR;(SGS ONLY);LM339;SOP;SMD	[POB01:02: {1.0}{IC4}]	
15	1.0000	PC	T12-00000-65291	D12-00000-65291	IC;DIG COMM.;SMD;SOIC;14;IR2156SPbF	[POB01:3: {1.0}{IC12}]	
16	1.0000	PC	T12-00100-02216	D12-00100-02217	IC;DIG COMM.;EUROTEC;V1000;SOIC	[POB01:1: {1.0}{IC13}]	
17	1.0000	PC	T24-00000-68056	D24-00000-68056	IC;MICROCONTROLLER;LQFP;32;SMD;STM8S005K6T6C	[POB01:1: {1.0}{IC12}]	

Led

	Quantity	Unit	S.Sku	M.Sku	Description	Reference Designators	Notes
1	1.0000	PC	U10-33565-00578	E10-33565-00578	LED HIB;2mm x 5mm;GREEN	[POB01:1: {1.0}{LD1}]	
2	2.0000	PC	U10-53565-00588	E10-53565-00588	LED HIB;3mm ROUND;GREEN	[POB01:02: {2.0}{LD3-LD4}]	
3	1.0000	PC		E10-55466-05688	LED HIB;3mm ROUND;BLUE;REFLECTOR;FOG WHITE DIFFUSE	[POB01:02: {1.0}{LD2}]	
4	1.0000	PC	U12-37630-00579	E12-37630-00579	LED;2mm x 5mm;RD	[POB01:1: {1.0}{LD3}]	
5	6.0000	PC	U12-57630-00590	E12-57630-00590	LED;3mm ROUND;RD	[POB01:1: {4.0}{LD4-LD7}]	

Metal Part

	Quantity	Unit	S.Sku	M.Sku	Description	Reference Designators	Notes
1	2.0000	EA		A60-00000-63447	METAL;P0431;SPCE 1.0mm;GRILL;STAMPING;SPRAYING;BLACK;REV:C		
2	1.0000	PC		A60-00200-10384	METAL;RUBBER FOOT2 METAL PLATE;P0431;DST.NO:002;DPT.NO:10384;(P0431- RUBBER_FOOT2_METAL_PLATE-REVB.DWG)		
3	2.0000	PC		A62-00100-03726	METAL;FRAME;FR261S02A;10in;MATERIAL:SPCC 1mm;DST.NO:001;DPT.NO:03726;(LS-FR261S02A-REVA.DWG)		
4	2.0000	EA	Q63-00000-75868	A63-00000-75868	METAL;HEATSINK;P0B01;ALUMINIUM;NATURAL;EXTRUSION, CUTTING;BLACK;P0B01-HEANTSINK_A		
5	1.0000	EA	Q63-00000-75869	A63-00000-75869	METAL;HEATSINK;P0B01;ALUMINIUM;NATURAL;EXTRUSION, CUTTING;BLACK;P0B01-HEANTSINK_B		
6	2.0000	PC	Q65-00000-67995	A65-00000-67995	METAL;P0854;BLACK;LS-ME29_2S01A		
7	1.0000	EA		A65-00000-75879	METAL;PANEL;P0B01;SECC 1.0mm;NATURAL;STAMPING;Metal;CABINET;P0B01- METAL_CABINET_B		
8	1.0000	PC		A65-00000-82867	METAL;SHIELD;P0B01;TIN PLATE T=0.5mm;PUNCHING AND BENDING;P0B01-PSU-SHEDLING-SHEET REVA		
9	2.0000	PC		A65-00001-27216	METAL;P0973;MATERIAL:STEEL, LOW CARBON;PLATING WHITE ZINC;LS-TP85S02G		
10	2.0000	PC		A65-00100-02610	METAL;YOKE;P0060;TY85S02A;85mm x 35mm x 21mm5 x 16mm5;PLATING;ZINC;(LS-TY85S02A-REVA.DWG)		
11	2.0000	PC		A65-00100-03403	METAL;MESH;P0201;STAINLESS STEEL 0.2 mm;DIAMETER:25 mm;DST.NO:001;DPT.NO:03403;(LS-ME25S0_2A-REVA.DWG)		
12	2.0000	PC		A65-00100-06063	METAL;BRACKET;SECC 1.0mm;(I00119P;DST.NO:001;DPT.NO:06063(I00119P- REAR_PANEL_BRACKET-REVA.DWG)		
13	1.0000	PC		A65-00100-07203	METAL;BASE BRACKET WHEEL;P0431;REV:A;DST.NO:001;DPT.NO:07203;(P0431- BASE_BRACKET_WHEEL-REVA)		
14	0.9400	G	Q65-00100-08668	A65-00100-08668	ALUMINIUM ALLOY;TDM61AL0_05A;ALUMINUM 5056- O;THICKNESS:0MM05;DST.NO:001;DPT.NO:08668;(LS- TDM61AL0_05A-REVA.DWG)		
15	1156.0000	G	Q65-00100-09738	A65-00100-09738	ROUND BAR;RB55S01A;GB/T 699-1999;STEEL A3;DST.NO:001;DPT.NO:09738;(LS-B55S01A-REVA.DWG)		
16	1.0000	PC	Q65-00100-10286	A65-00100-10286	METAL;HANDLE BRACKET;LEFT;P0431;DST.NO:001;DPT.NO:10286;(P0431-MET- HAND_BRACKET_L-REVA.DWG)		
17	1.0000	PC	Q65-00100-10287	A65-00100-10287	METAL;HANDLE BRACKET;RIGHT;P0431;DST.NO:001;DPT.NO:10287;(P0431-MET- HAND_BRACKET_R-REVA.DWG)		
18	2.0000	PC	Q65-00100-12037	A65-00100-12037	TWEETER DOME;TD51A6A;MATERIAL:ALUMINIUM 0mm05;DIAMETER:51mm;HIGH:6MM;DST.NO:001;DPT.NO:12037;(LS- TD51A6A-REVA.DWG)		
19	2.0000	PC		A65-00100-12309	METAL;TOP PLATE DISCUS;TPD108S01A;DIA:108xDIA:52.2x6H;DST.NO:001;DPT.NO:123 09;(LS-TPD108S01A[R]-REVA.DWG)		
20	2.0000	PC		A65-00100-13518	METAL;T-YOKE;TY108S02G;PLATING WEIGHT:770G;DST.NO:001;DPT.NO:13518;(LS-TY108S02G[R]- REVA.DWG)		
21	2.0000	PC		A65-00100-13519	METAL;T- YOKE;ROUGHCAST;TYR108S01C;DST.NO:001;DPT.NO:13519;(LS- TYR108S01C[R]-REVA.DWG)		
22	2.0000	PC		A65-00100-13520	METAL;T-YOKE;DISCUS;TYD111S01A;DST.NO:001;DPT.NO:13520;(LS- TYD111S01A[R]-REVA.DWG)		
23	2.0000	PC		A65-00100-14569	METAL;TOP PLATE;TP108S02I;OUTSIDE DIAMETER:108mm ;CENTER HOLE:53mm7; THICKNESS:6mm;PLATING WEIGHT:308G;DST.NO:001;DPT.NO:14569;(LS-TP108S02I[R]- REVA.DWG)		

	Quantity	Unit	S.Sku	M.Sku	Description	Reference Designators	Notes
24	2.0000	PC		A65-00100-14571	METAL;TOP PLATE;TPR108S01L;OUTSIDE DIAMETER:108mm;CENTER HOLE :53mm7;THICKNESS:6mm;DST.NO:001;DPT.NO:14571;(LS-TPR108S01L[R]-REVA.DWG)		
25	1.0000	PC	Q65-00100-14871	A65-00100-14871	METAL;LOCK CLASP PLATE, P0431;DST.NO:001;DPT.NO:14871;(P0431-LOCK_CLASP_PLATE-REVA.DWG)		
26	1.0000	PC		A65-00200-12901	HANDLE;P0431;DST.NO:002;DPT.NO:12901;(P0431-HANDLE-REV.B.DWG)		
27	4.0000	PC		A65-00200-14502	METAL;MIXER SCREW FLANGE;P0787;DST.NO:002;DPT.NO:14502;(P0787-MIXER_SCREW_FLANGE-REV.B.DWG)		
28	6.0400	G	Q65-00400-03174	A65-00400-03174	FOIL;ALUMINIUM;BLACK;SV;WIDTH:45mm;THICKNESS:0mm13		
29	2.0000	PC	Q66-00200-08664	A66-00200-08664	CASTER ASSEMBLY;BA/BB-SERIES;WITH WASHER;REVB		
30	1.0000	PC		J05-00000-83087	METAL;PANEL;P0B01;SECC 1.2mm;PUNCHING;SPRAYING;DARK GRAY METALLIC;MIXER;A001		
31	1.0000	PC		J05-00000-83089	METAL;PANEL;P0B01;SECC 1.2mm;NATURAL;STAMPING;SPRAYING;BLACK;REAR;B001		
32	1.0000	PC	Z05-00100-14870	J05-00100-14870	METAL;LOCK CLASP, P0431;PRINTED;FST.NO:001;DPT.NO:14870;(P0431-LOCK_CLASP-REVA.DWG)		

Plastic Part

	Quantity	Unit	S.Sku	M.Sku	Description	Reference Designators	Notes
1	1.0000	PC	W52-00000-12223	G52-00000-12223	PLASTIC;P0431;ABS;KNOB;MOULDING;YS1282A;PANTONE 431;ENCODER KNOB;I00124P;REV:C		
2	7.0000	PC		G52-00100-11206	KNOB;FADER;FAD30MMKNOB 1;429C;DST.NO:001;DPT.NO:11206;(R20-FADERKNOBBLK1-REVA.DWG)		
3	12.0000	PC		G52-00200-14250	KNOB;POT;I00123P;431C;BLACK INK MARK;DST.NO:002;DPT.NO:14250;(I00123P-POTKNOB-REVB.DWG)		
4	2.0000	PC		G52-00200-14251	KNOB;POT;I00123P;429C;BLACK INK MARK;DST.NO:002;DPT.NO:14251;(I00123P-POTKNOB-REVB.DWG)		
5	12.0000	PC		G52-00200-14252	KNOB;POT;I00123P;431C;PANTONE 3025C INK MARK;DST.NO:002;DPT.NO:14252;(I00123P-POTKNOB-REVB.DWG)		
6	7.0000	PC		G52-00200-14253	KNOB;POT;I00123P;431C;PANTONE 201 C INK MARK;DST.NO:002;DPT.NO:14253;(I00123P-POTKNOB-REVB.DWG)		
7	1.0000	PC		G52-00500-10208	KNOB;SWITCH;300U;UB-S;DST.NO:005;DPT.NO:10208;(UB-S_SWKNOB-REVE.DWG)		
8	2.0000	PC		G52-00500-11203	KNOB;SWITCH;UB-S;7mm4;429C;DST.NO:005;DPT.NO:11203;(R20-UB-S_SWKNOB-REVE.DWG)		
9	5.0000	PC		G52-00500-11205	KNOB;SWITCH;UB-S;7mm4;431C;DST.NO:005;DPT.NO:11205;(R20-UB-S_SWKNOB-REVE.pdf)		
10	6.0000	PC	W53-14000-01976	G53-14000-01976	PLASTIC;SPACER;ABS;BLACK;LENGTH:14MM2;(SWITCHSPACER14_2 MM.DWG)		
11	1.0000	PC		G53-18900-02513	PLASTIC;MICROPHONE MICCLIP;P0199		
12	2.0000	PC		G56-00000-64480	PLASTIC;P0431;AV161;REAR;INJECTION MOULDING;YS3292;SPRAYING;BLACK;REAR CABINET;REV:G		
13	1.0000	PC		G56-00000-87280	PLASTIC;BASE;P0431;PP AV161;MOULDING;YS3292;BLACK;P0431-BASE_COVER-REVC		
14	1.0000	PC	W56-00300-14052	G56-00300-14052	PLASTIC;CONSOLE COVER;P0431;DST.NO:003;DPT.NO:14052;(P0431-CONSOLE_COVER-REVC)		
15	2.0000	PC	W58-00000-07135	G58-00000-07135	PLASTIC;P0969;PC + GLASS FIBER;PHASE PLUG;BLACK;PLUG;PP25_2PC13_7A		
16	1.0000	PC	W58-00200-11635	G58-00000-21459	PLASTIC;P0431;AV161;RIGHT;MOULDING;YS3292;BLACK;BASE RIGHT;REV:C		
17	1.0000	PC	W58-00300-11634	G58-00000-21460	PLASTIC;P0431;AV161;LEFT;MOULDING;YS3292;BLACK;BASE LEFT;REV:D		
18	2.0000	PC	W58-00000-21464	G58-00000-21464	PLASTIC;P0431;AV161;FRONT;MOULDING;YS3292;BLACK;SPEAKER FRONT PANEL;REV:C		
19	1.0000	PC	W58-00000-70647	G58-00000-70647	PLASTIC;RING;POAWP;ABS;POAWP-USB-RING-REVA		
20	1560.0000	MM	W58-00100-02434	G58-00100-02434	GASKET;SPEAKER;MATERIAL:EVA;WIDTH:12mm;THICKNESS:1mm5;DST.NO:001;DPT.NO:02434;(LS-RGA12EVA1_5A-REVA.DWG)		
21	2.0000	PC		G58-00100-02618	PLASTIC;PHASE PLUG COVER;MATERIAL:ABS 160;DIAMETER:76.5mm;14.8H;DST.NO:001;DPT.NO:02618;(LS-PP76_5ABS14_8A-REVA.DWG)		
22	2.0000	PC		G58-00100-09744	PLASTIC;GASKET;BLACK;GA258P4A;MATERIAL:BLACK PAPER;DIAMETER:258MM;DST.NO:001;DPT.NO:09744;(LS-GA258P4A-REVA.DWG)		
23	4.0000	PC		G58-00100-10800	PLASTIC;LED SPACER;I00376P;DST.NO:001;DPT.NO:10800;(I00376P-LED_SPACER-REVA.DWG)		
24	4.0000	PC		G58-00100-10999	PLASTIC;GASKET;P0431;EVA UL;SPEAKER;DST.NO:001;DPT.NO:10999;(P0431-SPEAKER_GASKET-REVA.DWG)		
25	2.0000	PC		G58-00200-10378	PLASTIC;COVER FLAP GASKET;P0431;DST.NO:002;DPT.NO:10378;(P0431-COVER_FLAP_GASKET-REVB.DWG)		
26	1.0000	PC		G58-00200-11636	PLASTIC;BASE STORE;P0431;DST.NO:002;DPT.NO:11636;(P0431-BASE_STORE-REVB.DWG)		

	Quantity	Unit	S.Sku	M.Sku	Description	Reference Designators	Notes
27	2.0000	PC		G58-00200-11637	PLASTIC;COVER_FLAP;P0431;DST.NO:002;DPT.NO:11637;(P0431-COVER_FLAP-REVB.DWG)		
28	1.0000	PC	W58-00200-11638	G58-00200-11638	PLASTIC;HANDLE BASE;P0431;DST.NO:002;DPT.NO:11638;(P0431-HANDLE_BASE-REVB.DWG)		
29	4.0000	PC	W58-00300-11128	G58-00300-11128	PLASTIC;SPACER;P0062;MOULDING;BLACK;LED SPACER2;DI100 DSP110;DST.NO:003;DPT.NO:11128;(R14-DI100-LEDSPACER2-REVC.DWG)		
30	1.0000	PC		G58-00300-14053	PLASTIC;LED HOLDER;UB1002_1202FX;DST.NO:003;DPT.NO:14053;(UB1002FX-7SEGMENT_LED_HOLDER-REVC.DWG)	[P0B01:1: {1.0}(M3)]	
31	2.0000	PC		I63-00000-98364	PLASTIC;LOGO;P0000;BLACK;BEHLOGO12;66.5MM;A002		
32	1.0000	PC		I64-00000-91896	PLASTIC;LENS;P0B0P;PMMA;INJECTION;P0B0P_LED_LENS		
33	3.0000	PC	Y68-00000-07221	I68-00000-07221	PLASTIC;P0431;NYLON 66;LOCK;BLACK;C001		
34	2.0000	PC		I68-00000-45508	PLASTIC;P0000;SILVER CHROME;BEHLOGO12;BKSR;68.38mm;A002		

Plug Socket

	Quantity	Unit	S.Sku	M.Sku	Description	Reference Designators	Notes
1	2.0000	PC	W61-65214-03291	G61-65214-03291	BOX HEADER;POLES:14;2 ROW;STRAIGHT;PITCH:2mm54;SCM-14S	[P0B01:1: {2.0}(X1,X5)]	
2	2.0000	PC		G61-75214-05288	CABLE HEADER;POLES:14;2 ROW;IDE;STRAIGHT;PITCH:2mm54;FC-14P		
3	2.0000	PC		G61-85214-08163	TRANSITION PLUG;FLAT CABLE;POLES:14;ROWS:2;STRAIGHT;PITCH:2mm54;BLACK;FD-14P		
4	12.0000	PC	W64-01211-03174	G64-01211-03174	PLUG;JACK STEREO 6mm3;STRAIGHT SOLDER;W/O MET.RNG.;MET.BUSH.;NO NUT/WASHER;(JY-6351G-02-250)	[P0B01:02: {12.0}(X2,X4-X6,X11-X13,X15-X19)]	
5	1.0000	PC	W64-01400-54568	G64-01400-54568	PLUG;PCB;PLUG;JACK STEREO 3mm5;STRAIGHT PCB-MT.;(JY-3569-01-070)	[P0B01:02: {1.0}(X3)]	
6	2.0000	PC	W64-14152-03710	G64-14152-03710	PLUG;PCB;PLUG;JACK PHONE;STRAIGHT PCB LUGS;MONO 6mm3;DUAL TIP;NO RING CONTACTS;NO NUT/WASHER;METAL BUSHING;(CHUNSHENG PJ-622HA-EP)	[P0B01:05: {2.0}(X1-X2)]	
7	2.0000	PC	W64-16112-00062	G64-16112-00062	PLUG;JACK MONO 6mm3;STRAIGHT SOLDER;DUAL TIP;NO RING CONTACTS;MET.BUSH.;NO NUT/WASHER;(CHUNSHENG PJ-636HA)	[P0431:00: {1.0}(X1)]	
8	1.0000	PC	W67-00000-91152	G67-00000-91152	AC SOCKET;POLES:5;WITH SWITCH AND FUSE;SIZE:50X30.5		
9	3.0000	PC	W68-14002-00197	G68-14002-00197	SOCKET;RCA;(CHUNCHENG RCA-221H-01);FEMALE;POLES:2;PLATING:CU/SN;STRAIGHT;SEPARATE GROUNDS;TIPS:WHITE+RED	[P0B01:02: {3.0}(X1,X20-X21)]	
10	1.0000	PC		G71-00000-03961	WAFER;V1000-14B,0.35um;LOGIC-3.3V(1P4M)		
11	1.0000	PC	W71-23102-04756	G71-23102-04756	WAFER;POLES:2;STRAIGHT;PITCH:2 mm;1 ROW;TYPE:A2006WV-2P	[P0B01:3: {1.0}(X6)]	
12	1.0000	PC	W71-23109-04748	G71-23109-04748	WAFER;POLES:9;STRAIGHT;PITCH:2 mm;1 ROW;TYPE:A2006WV-9P	[P0B01:1: {1.0}(X4)]	
13	1.0000	PC	W71-23111-04750	G71-23111-04750	WAFER;POLES:11;STRAIGHT;PITCH:2 mm;1 ROW;TYPE:A2006WV-11P	[P0B01:1: {1.0}(X2)]	
14	2.0000	PC	W71-27102-04759	G71-27102-04759	WAFER;POLES:2;STRAIGHT;PITCH:3.96 mm;1 ROW;JS1120-02	[P0B01:4: {1.0}(X5)]	
15	2.0000	PC	W71-43109-06001	G71-43109-06001	PLUG;HOUSING;POLES:9;ROWS:1;STRAIGHT;PITCH:2mm;TYP:A2008		
16	1.0000	PC	W71-43111-06003	G71-43111-06003	PLUG;HOUSING;POLES:11;ROWS:1;STRAIGHT;PITCH:2mm;TYP:A2008		
17	2.0000	PC	W71-47102-05844	G71-47102-05844	PLUG;HOUSING;A3963H02;PITCH:3mm96;POLES:2;ROWS:1;UL94-V0;STRAIGHT		
18	1.0000	PC	W71-47104-06757	G71-47104-06757	PLUG;HOUSING;P:3mm96;STRAIGHT;ROWS:1;POLES:4;TYP:JS4008		
19	11.0000	PC	W71-80000-05663	G71-80000-05663	BD.-IN-CONN;TERMINAL;SAN-002T-0.8A		
20	1.0000	PC	W71-83111-05656	G71-83111-05656	BOARD-IN-CONNECTOR;POLES:11;ROWS:1;STRAIGHT;PITCH:2 mm		

Power Supply

	Quantity	Unit	S.Sku	M.Sku	Description	Reference Designators	Notes
1	1.0000	PC	Z69-00000-76099	J69-00000-76099	TRAFO;SWITCH MODE;POB01;EU 120/230;EU;750uH@1V1KHz	[POB01:3: {1.0}{TR1}]	

Quarz

	Quantity	Unit	S.Sku	M.Sku	Description	Reference Designators	Notes
1	1.0000	PC	X65-40471-00000	H65-40471-00000	QUARZ;RESONATOR;10MHz;HC49/S;FUNDAMENTAL	[POB01:1: {1.0}{Q1}]	

Resistor

	Quantity	Unit	S.Sku	M.Sku	Description	Reference Designators	Notes
1	1.0000	PC			RESISTOR;CARBON;220 ohm;1W;5 %;200 PPM;SMD2512;THICK FILM	[POB01:1: {1.0}(R11)]	*NOT available in DP
2	2.0000	PC			RESISTOR;CARBON;1 ohm;0W125;1 %;SMD805;THICK FILM	[POB01:3: {2.0}(R191,R209)]	*NOT available in DP
3	2.0000	PC			RESISTOR;METAL;10 kohm;1W;1 %;SMD2512	[POB01:3: {2.0}(R181,R201)]	*NOT available in DP
4	8.0000	PC			RESISTOR;THICK FILM;6K8 ohm; 1%;SMD1210	[POB01:02: {8.0}(R34-R37,R44-R47)]	*NOT available in DP
5	2.0000	PC			RESISTOR;CARBON;13Kohm;5%;0W063;SMD603	[POB01:1: {2.0}(R48,R54)]	*NOT available in DP
6	8.0000	PC			RESISTOR;CARBON;4ohm7;5%;0W063;SMD603	[POB01:02: {8.0}(R49-R50,R58-R63)]	*NOT available in DP
7	3.0000	PC			RESISTOR;CARBON;10ohm;5%;0W063;SMD603	[POB01:1: {1.0}(R233)]	*NOT available in DP
8	2.0000	PC			RESISTOR;CARBON;100ohm;5%;0W063;SMD603	[POB01:02: {1.0}(R31)]	*NOT available in DP
9	4.0000	PC			RESISTOR;CARBON;150ohm;5%;0W063;SMD603	[POB01:1: {4.0}(R31-R32,R78,R85)]	*NOT available in DP
10	8.0000	PC			RESISTOR;CARBON;220ohm;5%;0W063;SMD603	[POB01:1: {8.0}(R96-R99,R101-R104)]	*NOT available in DP
11	1.0000	PC			RESISTOR;CARBON;270ohm;5%;0W063;SMD603	[POB01:3: {1.0}(R195)]	*NOT available in DP
12	1.0000	PC			RESISTOR;CARBON;330ohm;5%;0W063;SMD603	[POB01:1: {1.0}(R135)]	*NOT available in DP
13	4.0000	PC			RESISTOR;CARBON;360ohm;5%;0W063;SMD603	[POB01:1: {4.0}(R157,R166,R176,R182)]	*NOT available in DP
14	4.0000	PC			RESISTOR;CARBON;470ohm;5%;0W063;SMD603	[POB01:1: {2.0}(R111-R112)]	*NOT available in DP
15	10.0000	PC			RESISTOR;CARBON;1Kohm;5%;0W063;SMD603	[POB01:1: {7.0}(R34,R90,R93-R94,R134,R179,R185)]	*NOT available in DP
16	1.0000	PC			RESISTOR;CARBON;1Kohm2;5%;0W063;SMD603	[POB01:3: {1.0}(R157)]	*NOT available in DP
17	2.0000	PC			RESISTOR;CARBON;1Kohm5;5%;0W063;SMD603	[POB01:02: {2.0}(R116-R117)]	*NOT available in DP
18	3.0000	PC			RESISTOR;CARBON;2Kohm2;5%;0W063;SMD603	[POB01:02: {1.0}(R109)]	*NOT available in DP
19	4.0000	PC			RESISTOR;CARBON;3Kohm3;5%;0W063;SMD603	[POB01:1: {2.0}(R51,R91)]	*NOT available in DP
20	16.0000	PC			RESISTOR;CARBON;3Kohm9;5%;0W063;SMD603	[POB01:1: {16.0}(R195-R197,R199,R223-R224,R234,R236,R291,R294-R295,R303-R305,R307-R308)]	*NOT available in DP
21	3.0000	PC			RESISTOR;CARBON;4Kohm7;5%;0W063;SMD603	[POB01:02: {1.0}(R24)]	*NOT available in DP
22	30.0000	PC			RESISTOR;CARBON;5Kohm1;5%;0W063;SMD603	[POB01:1: {30.0}(R86-R87,R92,R100,R187,R189,R191,R193,R201-R204,R211-R222,R235,R237,R252,R255-R257)]	*NOT available in DP
23	4.0000	PC			RESISTOR;CARBON;6Kohm2;5%;0W063;SMD603	[POB01:1: {4.0}(R50,R52,R69,R71)]	*NOT available in DP
24	16.0000	PC			RESISTOR;CARBON;6Kohm8;5%;0W063;SMD603	[POB01:1: {16.0}(R275,R278-R279,R282-R283,R286,R292-R293,R296,R298,R309-R313,R316)]	*NOT available in DP
25	45.0000	PC			RESISTOR;CARBON;10Kohm;5%;0W063;SMD603	[POB01:1: {40.0}(R9-R10,R15-R16,R22,R30,R46-R47,R57,R65-R66,R81,R84,R105-R110,R114-R115,R118-R119,R122-R123,R153,R240-R241,R246-R247,R266-R267,R276-R277,R280-R281,R284-R285,R287-R288)]	*NOT available in DP
26	1.0000	PC			RESISTOR;CARBON;12Kohm;5%;0W063;SMD603	[POB01:3: {1.0}(R194)]	*NOT available in DP
27	3.0000	PC			RESISTOR;CARBON;15Kohm;5%;0W063;SMD603	[POB01:1: {2.0}(R80,R83)]	*NOT available in DP
28	1.0000	PC			RESISTOR;CARBON;16Kohm;5%;0W063;SMD603	[POB01:1: {1.0}(R145)]	*NOT available in DP
29	8.0000	PC			RESISTOR;CARBON;20Kohm;5%;0W063;SMD603	[POB01:1: {8.0}(R270-R274,R314-R315,R317)]	*NOT available in DP
30	13.0000	PC			RESISTOR;CARBON;22Kohm;5%;0W063;SMD603	[POB01:1: {9.0}(R178,R248-R251,R263-R264,R268-R269)]	*NOT available in DP
31	3.0000	PC			RESISTOR;CARBON;27Kohm;5%;0W063;SMD603	[POB01:1: {2.0}(R33,R79)]	*NOT available in DP
32	2.0000	PC			RESISTOR;CARBON;30Kohm;5%;0W063;SMD603	[POB01:3: {2.0}(R171,R213)]	*NOT available in DP
33	2.0000	PC			RESISTOR;CARBON;33Kohm;5%;0W063;SMD603	[POB01:3: {2.0}(R118,R169)]	*NOT available in DP
34	8.0000	PC			RESISTOR;CARBON;36Kohm;5%;0W063;SMD603	[POB01:1: {8.0}(R198,R200,R205-R206,R225-R226,R238-R239)]	*NOT available in DP
35	10.0000	PC			RESISTOR;CARBON;47Kohm;5%;0W063;SMD603	[POB01:1: {7.0}(R88-R89,R184,R207-R210)]	*NOT available in DP
36	2.0000	PC			RESISTOR;CARBON;68Kohm;5%;0W063;SMD603	[POB01:1: {2.0}(R60-R61)]	*NOT available in DP
37	10.0000	PC			RESISTOR;CARBON;100Kohm;5%;0W063;SMD603	[POB01:1: {7.0}(R2,R5,R7,R18-R19,R258-R259)]	*NOT available in DP
38	1.0000	PC			RESISTOR;CARBON;110Kohm;5%;0W063;SMD603	[POB01:3: {1.0}(R184)]	*NOT available in DP
39	3.0000	PC			RESISTOR;CARBON;120Kohm;5%;0W063;SMD603	[POB01:3: {3.0}(R114,R182,R212)]	*NOT available in DP
40	1.0000	PC			RESISTOR;CARBON;200Kohm;5%;0W063;SMD603	[POB01:3: {1.0}(R218)]	*NOT available in DP

	Quantity	Unit	S.Sku	M.Sku	Description	Reference Designators	Notes
41	2.0000	PC			RESISTOR;CARBON;220Kohm;5%;0W063;SMD603	[P0B01:02:{2.0}(R86-R87)]	*NOT available in DP
42	1.0000	PC			RESISTOR;CARBON;240Kohm;5%;0W063;SMD603	[P0B01:3:{1.0}(R86)]	*NOT available in DP
43	2.0000	PC			RESISTOR;CARBON;270Kohm;5%;0W063;SMD603	[P0B01:1:{2.0}(R49,R67)]	*NOT available in DP
44	2.0000	PC			RESISTOR;CARBON;300Kohm;5%;0W063;SMD603	[P0B01:1:{2.0}(R59,R68)]	*NOT available in DP
45	1.0000	PC			RESISTOR;CARBON;330Kohm;5%;0W063;SMD603	[P0B01:3:{1.0}(R87)]	*NOT available in DP
46	1.0000	PC			RESISTOR;CARBON;680Kohm;5%;0W063;SMD603	[P0B01:02:{1.0}(R105)]	*NOT available in DP
47	12.0000	PC			RESISTOR;CARBON;1Mohm;5%;0W063;SMD603	[P0B01:1:{9.0}(R144,R289-R290,R297,R299-R302,R306)]	*NOT available in DP
48	1.0000	PC			RESISTOR;METAL;750ohm;1%;0W063;SMD603	[P0B01:3:{1.0}(R77)]	*NOT available in DP
49	4.0000	PC			RESISTOR;METAL;806ohm;1%;0W063;SMD603	[P0B01:1:{4.0}(R8,R17,R128,R147)]	*NOT available in DP
50	1.0000	PC			RESISTOR;METAL;845ohm;1%;0W063;SMD603	[P0B01:3:{1.0}(R25)]	*NOT available in DP
51	7.0000	PC			RESISTOR;METAL;1Kohm;1%;0W063;SMD603	[P0B01:1:{1.0}(R4)]	*NOT available in DP
52	4.0000	PC			RESISTOR;METAL;1Kohm2;1%;0W063;SMD603	[P0B01:1:{4.0}(R156,R165,R175,R181)]	*NOT available in DP
53	1.0000	PC			RESISTOR;METAL;1Kohm21;1%;0W063;SMD603	[P0B01:3:{1.0}(R80)]	*NOT available in DP
54	2.0000	PC			RESISTOR;METAL;1Kohm24;1%;0W063;SMD603	[P0B01:1:{2.0}(R130,R149)]	*NOT available in DP
55	8.0000	PC			RESISTOR;METAL;1Kohm3;1%;0W063;SMD603	[P0B01:02:{8.0}(R6,R8,R13-R14,R16,R18,R21,R23)]	*NOT available in DP
56	4.0000	PC			RESISTOR;METAL;1Kohm6;1%;0W063;SMD603	[P0B01:3:{4.0}(R103,R109,R133,R142)]	*NOT available in DP
57	6.0000	PC			RESISTOR;METAL;2Kohm;1%;0W063;SMD603	[P0B01:1:{4.0}(R127,R132,R146,R151)]	*NOT available in DP
58	4.0000	PC			RESISTOR;METAL;2Kohm2;1%;0W063;SMD603	[P0B01:1:{4.0}(R155,R164,R174,R180)]	*NOT available in DP
59	4.0000	PC			RESISTOR;METAL;2Kohm43;1%;0W063;SMD603	[P0B01:3:{4.0}(R30,R39,R46,R54)]	*NOT available in DP
60	1.0000	PC			RESISTOR;SMT;2Kohm7;1%;METAL;0W063;SMD603	[P0B01:3:{1.0}(R107)]	*NOT available in DP
61	4.0000	PC			RESISTOR;METAL;3Kohm01;1%;0W063;SMD603	[P0B01:3:{4.0}(R79,R82,R105,R111)]	*NOT available in DP
62	2.0000	PC			RESISTOR;METAL;3Kohm16;1%;0W063;SMD603	[P0B01:1:{2.0}(R129,R148)]	*NOT available in DP
63	16.0000	PC			RESISTOR;METAL;3Kohm30;1%;0W063;SMD603	[P0B01:02:{8.0}(R7,R9,R12,R15,R17,R19-R20,R22)]	*NOT available in DP
64	14.0000	PC			RESISTOR;METAL;4Kohm42;1%;0W063;SMD603	[P0B01:1:{14.0}(R13,R20,R23-R28,R35-R40)]	*NOT available in DP
65	2.0000	PC			RESISTOR;METAL;4Kohm87;1%;0W063;SMD603	[P0B01:1:{2.0}(R53,R82)]	*NOT available in DP
66	2.0000	PC			RESISTOR;METAL;5Kohm11;1%;0W063;SMD603	[P0B01:1:{2.0}(R131,R150)]	*NOT available in DP
67	7.0000	PC			RESISTOR;METAL;5Kohm6;1%;0W063;SMD603	[P0B01:1:{4.0}(R242-R245)]	*NOT available in DP
68	4.0000	PC			RESISTOR;METAL;6Kohm34;1%;0W063;SMD603	[P0B01:1:{4.0}(R6,R29,R116,R169)]	*NOT available in DP
69	4.0000	PC			RESISTOR;METAL;6Kohm8;1%;0W063;SMD603	[P0B01:3:{4.0}(R22,R28,R47,R58)]	*NOT available in DP
70	2.0000	PC			RESISTOR;METAL;7Kohm87;1%;0W063;SMD603	[P0B01:1:{2.0}(R55,R72)]	*NOT available in DP
71	4.0000	PC			RESISTOR;METAL;8Kohm06;1%;0W063;SMD603	[P0B01:1:{4.0}(R152,R167,R183,R186)]	*NOT available in DP
72	1.0000	PC			RESISTOR;METAL;9Kohm09;1%;0W063;SMD603	[P0B01:1:{1.0}(R1)]	*NOT available in DP
73	46.0000	PC			RESISTOR;METAL;10Kohm;1%;0W063;SMD603	[P0B01:1:{6.0}(R120,R171,R260-R262,R265)]	*NOT available in DP
74	4.0000	PC			RESISTOR;METAL;11Kohm;1%;0W063;SMD603	[P0B01:3:{4.0}(R65-R66,R68,R70)]	*NOT available in DP
75	4.0000	PC			RESISTOR;METAL;12Kohm;1%;0W063;SMD603	[P0B01:1:{4.0}(R227-R228,R230-R231)]	*NOT available in DP
76	12.0000	PC			RESISTOR;METAL;13Kohm3;1%;0W063;SMD603	[P0B01:1:{12.0}(R14,R21,R41-R44,R56,R63-R64,R73,R137,R159)]	*NOT available in DP
77	4.0000	PC			RESISTOR;METAL;16Kohm5;1%;0W063;SMD603	[P0B01:1:{4.0}(R113,R124,R168,R173)]	*NOT available in DP
78	2.0000	PC			RESISTOR;METAL;20Kohm;1%;0W063;SMD603	[P0B01:1:{2.0}(R139,R161)]	*NOT available in DP
79	2.0000	PC			RESISTOR;METAL;21Kohm;1%;0W063;SMD603	[P0B01:1:{2.0}(R58,R77)]	*NOT available in DP
80	4.0000	PC			RESISTOR;METAL;22Kohm;1%;0W063;SMD603	[P0B01:1:{4.0}(R229,R232,R253-R254)]	*NOT available in DP
81	2.0000	PC			RESISTOR;METAL;26Kohm7;1%;0W063;SMD603	[P0B01:1:{2.0}(R117,R170)]	*NOT available in DP
82	4.0000	PC			RESISTOR;METAL;33Kohm2;1%;0W063;SMD603	[P0B01:1:{4.0}(R136,R141,R158,R163)]	*NOT available in DP
83	2.0000	PC			RESISTOR;METAL;36Kohm;1%;0W063;SMD603	[P0B01:1:{2.0}(R75-R76)]	*NOT available in DP
84	2.0000	PC			RESISTOR;METAL;40Kohm2;1%;0W063;SMD603	[P0B01:1:{2.0}(R121,R172)]	*NOT available in DP
85	1.0000	PC			RESISTOR;METAL;43Kohm20;1%;0W063;SMD603	[P0B01:3:{1.0}(R84)]	*NOT available in DP
86	1.0000	PC			RESISTOR;METAL;47Kohm;1%;0W063;SMD603	[P0B01:1:{1.0}(R45)]	*NOT available in DP

	Quantity	Unit	S.Sku	M.Sku	Description	Reference Designators	Notes
87	2.0000	PC			RESISTOR;METAL;51Kohm1;1%;0W063;SMD603	[P0B01:1: {2.0}(R138,R160)]	*NOT available in DP
88	2.0000	PC			RESISTOR;METAL;80Kohm60;1%;0W063;SMD603	[P0B01:1: {2.0}(R140,R162)]	*NOT available in DP
89	21.0000	PC			RESISTOR;METAL;100Kohm;1%;0W063;SMD603	[P0B01:1: {1.0}(R74)]	*NOT available in DP
90	2.0000	PC			RESISTOR;METAL;130Kohm;1%;0W063;SMD603	[P0B01:1: {2.0}(R62,R70)]	*NOT available in DP
91	4.0000	PC			RESISTOR;METAL;330Kohm;1%;0W063;SMD603	[P0B01:3: {4.0}(R24,R41,R44,R50)]	*NOT available in DP
92	5.0000	PC			RESISTOR;CARBON;0ohm;5%;0W1;SMD805	[P0B01:1: {1.0}(R177)]	*NOT available in DP
93	3.0000	PC			RESISTOR;CARBON;2ohm2;5%;0W1;SMD805	[P0B01:1: {2.0}(R95,R133)]	*NOT available in DP
94	6.0000	PC			RESISTOR;CARBON;4ohm7;5%;0W1;SMD805	[P0B01:3: {6.0}(R76,R78,R81,R83,R126,R128)]	*NOT available in DP
95	5.0000	PC			RESISTOR;CARBON;10ohm;5%;0W1;SMD805	[P0B01:3: {5.0}(R49,R75,R116,R137,R185)]	*NOT available in DP
96	1.0000	PC			RESISTOR;CARBON;22ohm;5%;0W1;SMD805	[P0B01:1: {1.0}(R154)]	*NOT available in DP
97	5.0000	PC			RESISTOR;CARBON;100ohm;5%;0W1;SMD805	[P0B01:1: {1.0}(R126)]	*NOT available in DP
98	2.0000	PC			RESISTOR;CARBON;120ohm;5%;0W1;SMD805	[P0B01:02: {2.0}(R1,R27)]	*NOT available in DP
99	1.0000	PC			RESISTOR;CARBON;150ohm;5%;0W1;SMD805	[P0B01:3: {1.0}(R206)]	*NOT available in DP
100	1.0000	PC			RESISTOR;CARBON;470ohm;5%;0W1;SMD805	[P0B01:3: {1.0}(R98)]	*NOT available in DP
101	1.0000	PC			RESISTOR;CARBON;750ohm;5%;0W1;SMD805	[P0B01:3: {1.0}(R207)]	*NOT available in DP
102	4.0000	PC			RESISTOR;CARBON;1Kohm;5%;0W1;SMD805	[P0B01:1: {1.0}(R12)]	*NOT available in DP
103	4.0000	PC			RESISTOR;CARBON;1Kohm5;5%;0W1;SMD805	[P0B01:1: {4.0}(R188,R190,R192,R194)]	*NOT available in DP
104	1.0000	PC			RESISTOR;CARBON;2Kohm2;5%;0W1;SMD805	[P0B01:3: {1.0}(R73)]	*NOT available in DP
105	1.0000	PC			RESISTOR;CARBON;5Kohm1;5%;0W1;SMD805	[P0B01:1: {1.0}(R388)]	*NOT available in DP
106	7.0000	PC			RESISTOR;CARBON;10Kohm;5%;0W1;SMD805	[P0B01:3: {7.0}(R129,R138,R144,R152-R153,R183,R200)]	*NOT available in DP
107	1.0000	PC			RESISTOR;CARBON;20Kohm;5%;0W1;SMD805	[P0B01:3: {1.0}(R89)]	*NOT available in DP
108	1.0000	PC			RESISTOR;CARBON;22Kohm;5%;0W1;SMD805	[P0B01:02: {1.0}(R67)]	*NOT available in DP
109	1.0000	PC			RESISTOR;CARBON;27Kohm;5%;0W1;SMD805	[P0B01:3: {1.0}(R158)]	*NOT available in DP
110	4.0000	PC			RESISTOR;CARBON;33Kohm;5%;0W1;SMD805	[P0B01:3: {4.0}(R121-R122,R202-R203)]	*NOT available in DP
111	2.0000	PC			RESISTOR;CARBON;47Kohm;5%;0W1;SMD805	[P0B01:02: {1.0}(R64)]	*NOT available in DP
112	2.0000	PC			RESISTOR;CARBON;150Kohm;5%;0W1;SMD805	[P0B01:3: {2.0}(R204-R205)]	*NOT available in DP
113	3.0000	PC			RESISTOR;CARBON;200Kohm;5%;0W1;SMD805	[P0B01:3: {3.0}(R91-R93)]	*NOT available in DP
114	1.0000	PC			RESISTOR;METAL;820ohm;1%;0W1;SMD603	[P0B01:3: {1.0}(R120)]	*NOT available in DP
115	2.0000	PC			RESISTOR;METAL;1Kohm;1%;0W1;SMD805	[P0B01:02: {2.0}(R25-R26)]	*NOT available in DP
116	2.0000	PC			RESISTOR;METAL;3Kohm9;1%;0W1;SMD805	[P0B01:3: {2.0}(R71-R72)]	*NOT available in DP
117	4.0000	PC			RESISTOR;METAL;8Kohm20;1%;0W1;SMD603	[P0B01:3: {4.0}(R104,R110,R113,R115)]	*NOT available in DP
118	2.0000	PC			RESISTOR;METAL;10Kohm;1%;0W1;SMD805	[P0B01:3: {2.0}(R85,R90)]	*NOT available in DP
119	2.0000	PC			RESISTOR;CARBON;100ohm;5%;0W25;SMD1206	[P0B01:3: {2.0}(R208,R211)]	*NOT available in DP
120	3.0000	PC			RESISTOR;CARBON;10Kohm;5%;0W25;SMD1206	[P0B01:3: {3.0}(R17-R18,R63)]	*NOT available in DP
121	2.0000	PC			RESISTOR;CARBON;20Kohm;5%;0W25;SMD1206	[P0B01:02: {2.0}(R65-R66)]	*NOT available in DP
122	4.0000	PC			RESISTOR;CARBON;100Kohm;5%;0W25;SMD1206	[P0B01:3: {4.0}(R123-R124,R145,R151)]	*NOT available in DP
123	8.0000	PC			RESISTOR;METAL;4ohm7;1%;0W25;SMD1206	[P0B01:02: {1.0}(R48)]	*NOT available in DP
124	2.0000	PC			RESISTOR;METAL;15ohm;1%;0W25;SMD1206	[P0B01:3: {2.0}(R56,R64)]	*NOT available in DP
125	9.0000	PC			RESISTOR;METAL;20ohm;1%;0W25;SMD1206	[P0B01:3: {9.0}(R166-R167,R174-R177,R179-R180,R188)]	*NOT available in DP
126	2.0000	PC			RESISTOR;METAL;47ohm;1%;0W25;SMD1206	[P0B01:3: {2.0}(R168,R178)]	*NOT available in DP
127	6.0000	PC			RESISTOR;METAL;4.7 kohm;0.25 W;1 %;SMD1206	[P0B01:3: {6.0}(R155-R156,R160-R161,R163-R164)]	*NOT available in DP
128	3.0000	PC			RESISTOR;METAL;120Kohm;1%;0W25;SMD1206	[P0B01:3: {3.0}(R100-R102)]	*NOT available in DP
129	8.0000	PC			RESISTOR;METAL;221Kohm;1%;0W25;SMD1206	[P0B01:3: {8.0}(R59-R60,R148-R149,R186-R187,R189-R190)]	*NOT available in DP
130	2.0000	PC			RESISTOR;CARBON;750ohm;5%;1W;SMD2512	[P0B01:1: {2.0}(R125,R318)]	*NOT available in DP
131	2.0000	PC			RESISTOR;METAL;330ohm;1%;METAL;0W0625;SMD603	[P0B01:3: {2.0}(R61,R69)]	*NOT available in DP
132	1.0000	PC	Y04-05000-03070	I04-05000-03070	THERMISTOR;NTC;5ohm;12A;PITCH:7mm5;(THINKING SCK255R05)	[P0B01:3: {1.0}(R3)]	

	Quantity	Unit	S.Sku	M.Sku	Description	Reference Designators	Notes
133	1.0000	PC		I04-12501-00185	THERMISTOR;PTC;(RICH GP60-025)	[POB01:02: {1.0}(R113)]	
134	2.0000	PC	Y04-16501-00543	I04-16501-00543	THERMISTOR;PTC;880mW;VMAX:60VDC;IMAX:40A;HOLD 23C;650mA;TRIP 23C;130A;PD;LEADS:TIN PLATED COPPER 24AWG;(THINKING KRG0600065)	[POB01:3: {2.0}(R1-R2)]	
135	1.0000	PC	Y04-23301-00496	I04-23301-00496	THERMISTOR;PTC;330ohms;2Kohm2;20%;DIA;W/ LUG	[POB01:3: {1.0}(R8)]	
136	1.0000	PC	Y04-23301-01841	I04-23301-01841	THERMISTOR;PTC;330ohms;2Kohm2;20%;DIA;W/ LUG;(THINKING PTMS2331RP430Y)	[POB01:3: {1.0}(R9)]	
137	2.0000	PC			FUSE RESISTOR;5 mohm;5 %;BULK;LOW VALUE WIRE RES;MK TY;DIAMETER:1.5mm;RC:17A Max	[POB01:3: {2.0}(R11-R12)]	*NOT available in DP
138	1.0000	PC			VARISTOR;385V;0.6 W;PITCH:7.5 mm;VRMS:300V;14471K	[POB01:3: {1.0}(R10)]	*NOT available in DP
139	2.0000	PC			RESISTOR;CARBON;10Kohm;5%;0W25;LEAD WIRE;HORIZONTAL 26-6mm	[POB01:05: {2.0}(R1-R2)]	*NOT available in DP
140	2.0000	PC			RESISTOR;CEMENT;4 ohm;30W;5 %;200 PPM;PITCH:46 MM;4 OHM;46MM;BULK;CEM	[POB01:4: {1.0}(R1)]	*NOT available in DP
141	2.0000	PC			RESISTOR;METAL;12 ohm;5W;5 %;METAL OXIDE FILM;F-TYPE	[POB01:3: {2.0}(R14-R15)]	*NOT available in DP
142	1.0000	PC			RESISTOR;CARBON;10ohm;5%;2W;LEAD WIRE;F-TYPE	[POB01:3: {1.0}(R4)]	*NOT available in DP
143	1.0000	PC			RESISTOR;METAL;5ohm6;5%;2W;LEAD WIRE;AXIAL;F-TYPE	[POB01:3: {1.0}(R7)]	*NOT available in DP
144	2.0000	PC			RESISTOR;CARBON;2Kohm;5%;3W;LEAD WIRE;F-TYPE	[POB01:3: {2.0}(R13,R16)]	*NOT available in DP
145	2.0000	PC			RESISTOR;METAL OXIDE;0ohm1;5%;5W;LEAD WIRE;AXIAL;F-TYPE	[POB01:3: {2.0}(R5-R6)]	*NOT available in DP
146	2.0000	PC			RESISTOR;CEMENT;2ohm7;10%;10W;LEAD WIRE; PRECUT 25+-1 mm	[POB01:4: {1.0}(R2)]	*NOT available in DP

Fader

	Quantity	Unit	S.Sku	M.Sku	Description	Reference Designators	Notes
1	7.0000	PC	Y00-92951-02422	I00-92951-02422	FADER;30mm;100Kohm;TAPER:W;STEREO;W/CC;(POLYSHINE F-3092E+C+E-W100K1-L9.5(J));RED LED	[POB01:1: {7.0}(VR3-VR9)]	

Potentiometer

	Quantity	Unit	S.Sku	M.Sku	Description	Reference Designators	Notes
1	10.0000	PC		I03-00000-91688	POTENTIOMETER;50 kohm;0.050W;TAPER:W;12 %;MONO;SHAFT:30MM;W/O CC;HHTORQUE 40-100GF;SOUNDWELL	[POB01:1: {10.0}(VR11-VR14,VR23-VR28)]	
2	2.0000	PC		I03-00000-91689	POTENTIOMETER;10 kohm;0.050W;TAPER:15A;12 %;MONO;SHAFT:30MM;W/O CC;HHTORQUE:40-100GF;SOUNDWELL	[POB01:1: {2.0}(VR1-VR2)]	
3	8.0000	PC		I03-00000-91690	POTENTIOMETER;50 kohm;0.050W;TAPER:1B;12 %;MONO;SHAFT:30MM;W/ CC;HHTORQUE:40-100GF;SOUNDWELL	[POB01:1: {8.0}(VR29-VR32,VR35-VR38)]	
4	6.0000	PC		I03-00000-91692	POTENTIOMETER;10 kohm;0.050W;TAPER:AC;12 %;STEREO;SHAFT:30MM;W/ CC;40-100GF;HIGH TORQUE;SOUNDWELL	[POB01:1: {6.0}(VR17-VR22)]	
5	4.0000	PC		I03-00000-91695	POTENTIOMETER;50 kohm;0.050W;TAPER:1B;12 %;STEREO;SHAFT:30MM;W/CC;40-100GF;HIGH TORQUE;SOUNDWELL	[POB01:1: {4.0}(VR33-VR34,VR39-VR40)]	
6	3.0000	PC		I03-00000-91698	POTENTIOMETER;50 kohm;0.050W;TAPER:W;12 %;STEREO;SHAFT:30MM;W/O CC;HIGH TORQUE;40-100GF;SOUNDWELL	[POB01:1: {3.0}(VR10,VR15-VR16)]	

Encoder

	Quantity	Unit	S.Sku	M.Sku	Description	Reference Designators	Notes
1	1.0000	PC	Y32-32430-24605	I32-92430-02704	ENCODER;12mm;DETENTS:24;PULSES:24;30mm;W/SWITCH;NO NUT;WASHER;(POLYSHINE F-12E55H24B-P+C L30FX12(O))	[POB01:1: {1.0}(SW4)]	

Speaker Part

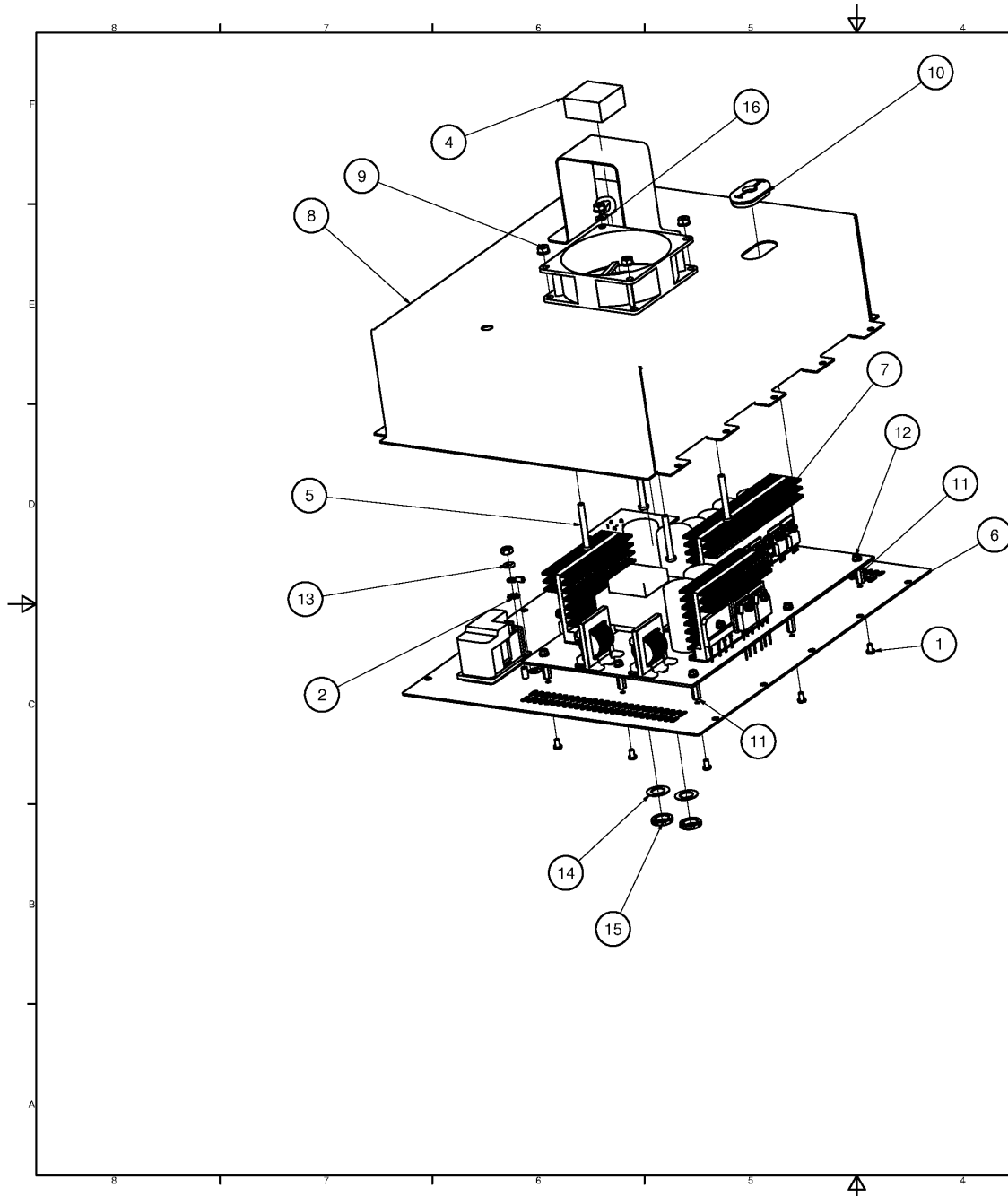
	Quantity	Unit	S.Sku	M.Sku	Description	Reference Designators	Notes
1	2.0000	PC	X71-60340-03681	H71-60340-03681	TWEETER;P0973;1.35 in;30 W;8 ohm;LS-34T120E8		
2	2.0000	PC	X77-61000-02300	H77-61000-02300	WOOFER;P0899;10 in;1000 W;4 ohm;10W1000A4		
3	2.0000	PC		H79-00000-48004	CONE;BLACK;CONE PAPER;CP245P56_8A;REV:A		
4	2.0000	PC		H79-00000-82480	DOME;34T120E8;ASSY		
5	2.0000	PC		H79-00001-02288	VOICE COIL;3.6 OHM;P0899;VCS1_5B3_6B		
6	2.0000	PC	X79-00100-02611	H79-00100-02611	MAGNET;MG90FE14A;MATERIAL:Y30;90mm*36mm*15H;Y30;DST.N O:001;DPT.NO:02611;(LS-MG90FE14A-REVA.DWG)		
7	2.0000	PC		H79-00100-02613	VOICE COIL;VC34_4K6_3A;BOBBIN MATERIAL:KSV 0mm08;DIAMETER:34mm4;4.5H;DC RESISTANCE:6ohm3;WIRE:0mm05*0mm25;WINDING WIDTH:2mm2;DST.NO:001;DPT.NO:02613;(LS-VC34_4K6_3A-REVA.DWG)		
8	2.0000	PC	X79-00100-02614	H79-00100-02614	GASKET;GA62_5A1_3A;MATERIAL:ALUMINIUM 1mm3;DIAMETER:62mm5;DST.NO:001;DPT.NO:02614;(LS-GA62_5A1_3A-REVA.DWG)		
9	2.0000	PC	X79-00100-02615	H79-00100-02615	GASKET;GA62_5A0_8A;MATERIAL:ALUMINIUM 0mm8;DIAMETER:62mm5;DST.NO:001;DPT.NO:02615;(LS-GA62_5A0_8A-REVA.DWG)		
10	2.0000	PC		H79-00100-04833	MAGNET;MG115FE27A;MATERIAL:Y30;115x56x20H;DST.NO:001;DPT .NO:04833;(LS-MG115FE27A-REVA.DWG)		
11	2.0000	PC	X79-00100-08358	H79-00100-08358	DUST CAP;DC90P02B;MATERIAL:PAPER;OUTER DIAMETER:90mm;HEIGHT:18mm;DST.NO:001;DPT.NO:08358;(LS-DC90P02B-REVA.DWG)		
12	2.0000	PC		H79-00100-09741	DAMPER;DP158CX01H;MATERIAL:CONEX;OUTSIDE DIAMETER:158mm;DST.NO:001;DPT.NO:09741;(LS-DP158CX01H-REVA.DWG)		

Switch

	Quantity	Unit	S.Sku	M.Sku	Description	Reference Designators	Notes
1	6.0000	PC	Y77-03422-02778	I77-03422-02778	SWITCH;RADIAL;2P2T;PCB VERSION;LOCKING;NONSHORT;RAD2P	[P0B01:1: {1.0}(SW2)]	
2	1.0000	PC	Y77-03442-02780	I77-03442-02780	SWITCH;RADIAL;4P2T;PCB VERSION;LOCKING;NONSHORT;RAD4P	[P0B01:1: {1.0}(SW1)]	
3	1.0000	PC	Y77-03822-02779	I77-03822-02779	SWITCH;RADIAL;2P2T;PCB VERSION;NONLOCK;NONSHORT;RAD2P/NON	[P0B01:02: {1.0}(SW2)]	
4	1.0000	PC	Y86-00422-32496	I86-00422-32496	SWITCH;SLIDE;2P2T;PCB VERSION;LOCKING;NONSHORT;SS-22H18-G7 NS	[P0B01:1: {1.0}(SW3)]	

Transistor

	Quantity	Unit	S.Sku	M.Sku	Description	Reference Designators	Notes
1	1.0000	PC			TRANSISTOR;2N5551;PITCH:2mm54;TO92;BENT LEAD;T/R	[P0B01:2: {1.0}(T2)]	*NOT available in DP
2	5.0000	PC			TRANSISTOR;2SC3326B;SOT	[P0B01:02: {4.0}(T3-T6)]	*NOT available in DP
3	4.0000	PC			TRANSISTOR;IRFB4227PBF;TO220	[P0B01:3: {4.0}(T4-T7)]	*NOT available in DP
4	2.0000	PC			TRANSISTOR;TO247;3;FGH40N60SFD	[P0B01:3: {2.0}(T1-T2)]	*NOT available in DP
5	23.0000	PC			TRANSISTOR;BC846B;SOT;SMD	[P0B01:1: {17.0}(T3-T19)]	*NOT available in DP
6	2.0000	PC			TRANSISTOR;BC856B;SOT;SMD	[P0B01:1: {1.0}(T2)]	*NOT available in DP
7	1.0000	PC			TRANSISTOR;MPSA92;TO-92;TAPING	[P0B01:1: {1.0}(T1)]	*NOT available in DP
8	1.0000	PC			TRANSISTOR;MMBT3906;SOT23;SMD	[P0B01:02: {1.0}(T7)]	*NOT available in DP
9	3.0000	PC			TRANSISTOR;MMBT5401;SOT23	[P0B01:3: {3.0}(T15,T17-T18)]	*NOT available in DP
10	3.0000	PC			TRANSISTOR;MMBT5551;SOT23	[P0B01:3: {3.0}(T12-T13,T16)]	*NOT available in DP
11	1.0000	PC			TRANSISTOR;MMBF170LT1;SOT	[P0B01:02: {1.0}(T8)]	*NOT available in DP
12	2.0000	PC			TRANSISTOR;SST113;SOT	[P0B01:3: {2.0}(T10-T11)]	*NOT available in DP
13	1.0000	PC			TRANSISTOR;TIP31C;TO220	[P0B01:3: {1.0}(T3)]	*NOT available in DP



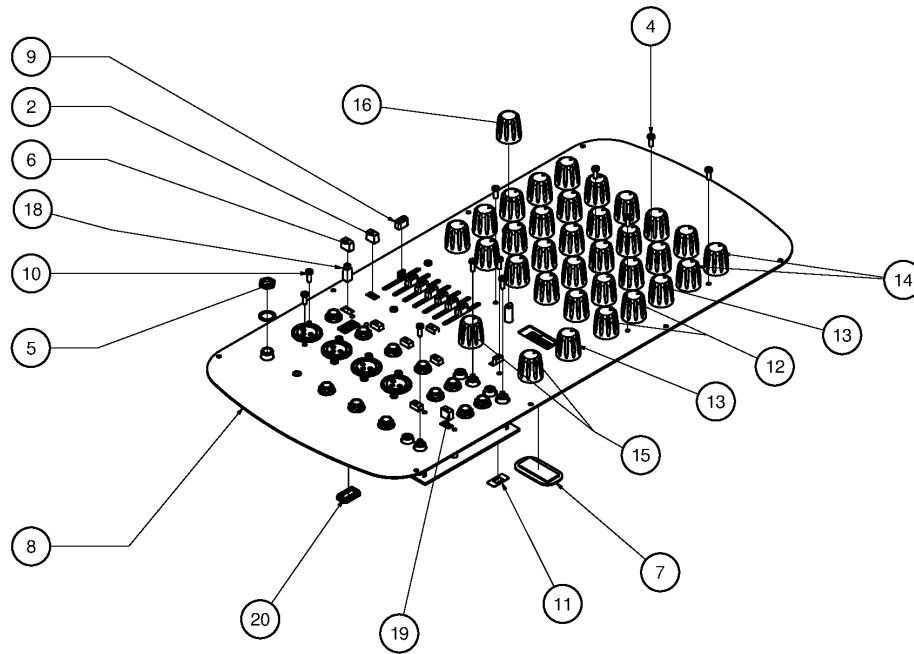
REVISION HISTORY		DATE	REVISED	APPROVED
REV	DESCRIPTION			
A	DRAWING release	2013-08-17	Tony.Liang	Shirley.Xiao

ITEM	ITEM NUMBER	QTY	ITEM CODE	CONSTRUCTION NO.
26	F85-04000-44001	1	SC-NUHEXM04[R]	
16	F83-10044-05631	1	LUG.4mm4;LENGTH:56mm	
15	F85-09535-45795	2	SC-NU-01-3/8in*035-NP-SLV[R]	
14	F96-00000-00836	2	SC-WA.9.7MM/WH[R]	
13	F96-20400-70170	1	SC-WASPR4*7*1.7[R]	
12	F88-30061-20291	8	SC-M03*06-03-B-ZP-SLV[R]	
11	F94-30160-30000	7	MET-STUD16MM/GTM3[R]	
10	F87-00200-10103	1	MI-I00172P/RUBBER_BUSHING[R]	022-02000-36801
9	F85-00000-09367	4	SC-NUHEXM04-CR3-BLUE ZN[R]	
8	A65-00000-75879	1	MET-P0431/CABINET[R]	022-00000-75882
6	J05-00000-83089	1	P0B01-BACK_PANEL	
5	F88-40320-30297	4	SC-M04*32-03-B-ZP-BLK[R]	
4	F87-00100-14248	1	MI-P0431/ELECTRIC_FOAM	022-02000-42196
2	F96-40400-70170	1	SC-WATEEXT4*7*1.7[R]	
1	F88-30050-30297	7	SC-M03*05-03-B-ZP-BLK[R]	

Parts List

	PROJECT:	POB01	DRAWN:	Tony.Liang	DESCRIPTION:	POB01-PSU-BOX-ASM
	MATERIAL:	N/A	CHECKED:	HUANG MING.YE	SIZE:	A2
	APPROVED:	Shirley.Xiao	DATE:	8/17/2013	DRAWING NUMBER:	014-00000-93194
	DATE:	8/17/2013	SCALE:	N T S	SHEET:	1 OF 1

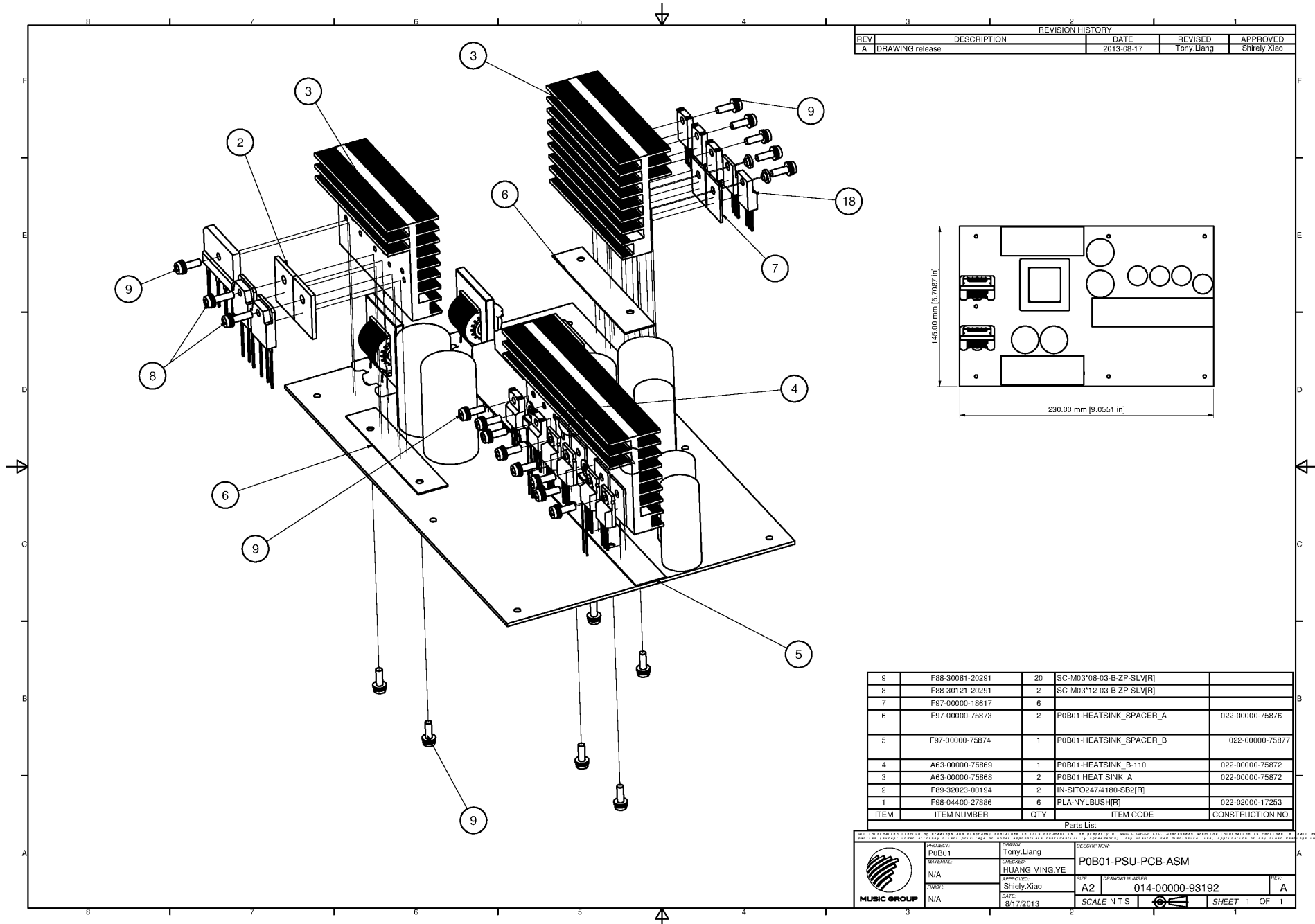
REVISION HISTORY				
REV	DESCRIPTION	DATE	REVISED	APPROVED
A	DRAWING RELEASE	2013-08-17	Tony.Liang	Shiely.Xiao
B	CHANGE THE WASHER TO F96-10961-30505 from F96-11011-40455.	2014-07-03	Tony.Liang	Shiely.Xiao



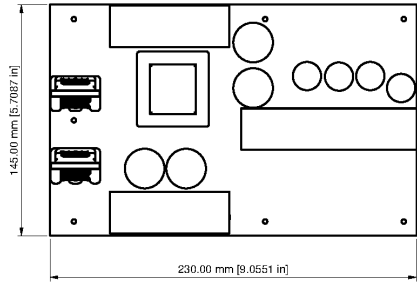
ITEM	ITEM NUMBER	QTY	ITEM CODE	CONSTRUCTION NO.
21	F96-10961-30505	12	SC-WAPLNP9.6*13*0.5/NP/SLV[R]	
20	G58-00000-70647	1	P0AWP-USB_RING	022-02000-70778
19	G52-00500-10208	1	PLA-SWKNOBS300U-UB[R]	022-02000-01851
18	G53-14000-01976	6	PLA-SWSPACER[R]	022-02000-28923
17	POB01-PCB01-ASM	1	SAM-POB01/PCB01	014-43144-60902
16	G52-00000-12223	1	PLA-P0431/00124P/ENCODER_KNOB	022-02000-36121
15	G52-00200-14251	2	PLA-I00123P/POTKNOB[R]	022-02000-36120
14	G52-00200-14252	12	PLA-I00123P/POTKNOB/431C/IM3025[R]	022-02000-36120
13	G52-00200-14253	7	PLA-I00123P/POTKNOB/431C/IM201[R]	022-02000-36120
12	G52-00200-14250	12	PLA-I00123P/POTKNOB/431C/IMBK[R]	022-02000-36120
11	F97-00100-00481	1	PLA-PMX880S/SHEET/01[R]	
10	F88-30100-30217	11	SC-A03*10-03-B-ZP-BLK[R]	
9	G52-00100-11206	7	PLA-FAD30MMKNOBBLK/1[R]	022-02000-10250
8	J05-00000-83087	1	MET-POB01/PANEL/DG/MT	022-00000-82945
7	I64-00100-03907	1	PLA-LEDWIN/P0381	022-02000-27423
6	G52-00500-11205	5	PLA-SWKNOBS7.4MM431C-UB[R]	022-02000-01851
5	F85-09524-44755	12	SC-NU-01-M095*024-NP-SLV[R]	
4	F88-30080-30297	10	SC-M03*08-03-B-ZP-BLK[R]	
2	G52-00500-11203	2	PLA-SWKNOBS429C-UB[R]	022-02000-01851
1	POB01-PCB02-ASM	1	SAM-POB01/PCB02	

Parts List			
ITEM	ITEM NUMBER	QTY	ITEM CODE
21	F96-10961-30505	12	SC-WAPLNP9.6*13*0.5/NP/SLV[R]
20	G58-00000-70647	1	P0AWP-USB_RING
19	G52-00500-10208	1	PLA-SWKNOBS300U-UB[R]
18	G53-14000-01976	6	PLA-SWSPACER[R]
17	POB01-PCB01-ASM	1	SAM-POB01/PCB01
16	G52-00000-12223	1	PLA-P0431/00124P/ENCODER_KNOB
15	G52-00200-14251	2	PLA-I00123P/POTKNOB[R]
14	G52-00200-14252	12	PLA-I00123P/POTKNOB/431C/IM3025[R]
13	G52-00200-14253	7	PLA-I00123P/POTKNOB/431C/IM201[R]
12	G52-00200-14250	12	PLA-I00123P/POTKNOB/431C/IMBK[R]
11	F97-00100-00481	1	PLA-PMX880S/SHEET/01[R]
10	F88-30100-30217	11	SC-A03*10-03-B-ZP-BLK[R]
9	G52-00100-11206	7	PLA-FAD30MMKNOBBLK/1[R]
8	J05-00000-83087	1	MET-POB01/PANEL/DG/MT
7	I64-00100-03907	1	PLA-LEDWIN/P0381
6	G52-00500-11205	5	PLA-SWKNOBS7.4MM431C-UB[R]
5	F85-09524-44755	12	SC-NU-01-M095*024-NP-SLV[R]
4	F88-30080-30297	10	SC-M03*08-03-B-ZP-BLK[R]
2	G52-00500-11203	2	PLA-SWKNOBS429C-UB[R]
1	POB01-PCB02-ASM	1	SAM-POB01/PCB02

	PROJECT:	POB01	DESIGNER:	Tony.Liang	DESCRIPTION: POB01-MIXER-FRONT-ASM
	MATERIAL:	N/A	ENGINEER:	HUANG MING.YE	
	APPROVED:	Shiely.Xiao	DATE:	8/17/2013	
	DATE:	8/17/2013	SCALE:	N T S	
DRAWING NUMBER: 014-00000-93198			SHEET 1 OF 1		



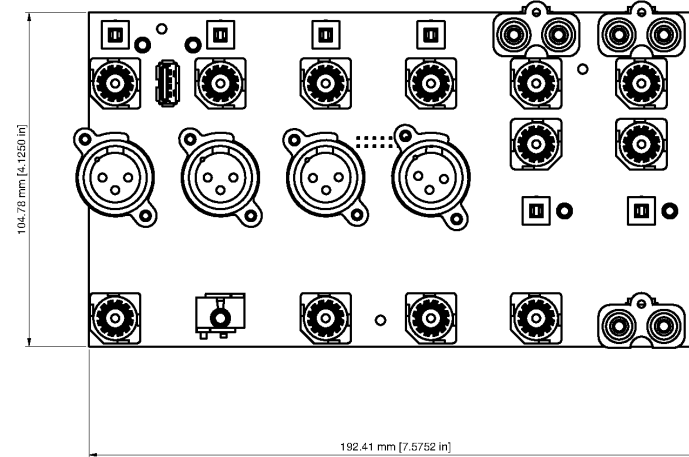
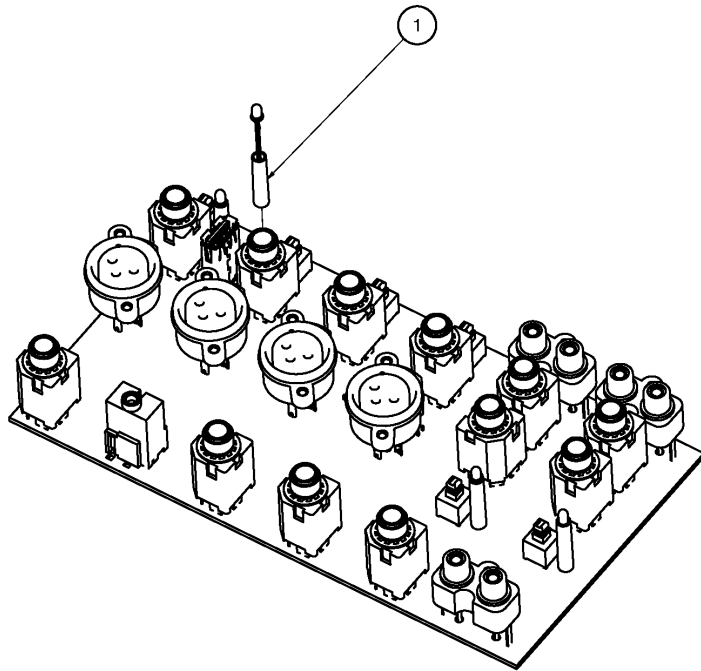
REVISION HISTORY		DATE	REVISED	APPROVED
REV	DESCRIPTION			
A	DRAWING release	2013-08-17	Tony.Liang	Shirley.Xiao



ITEM	ITEM NUMBER	QTY	ITEM CODE	CONSTRUCTION NO.
9	F88-30081-20291	20	SC-M03*08-03-B-ZP-SLV[R]	
8	F88-30121-20291	2	SC-M03*12-03-B-ZP-SLV[R]	
7	F97-00000-18617	6		
6	F97-00000-75873	2	P0B01-HEATSINK_SPACER_A	022-00000-75876
5	F97-00000-75874	1	P0B01-HEATSINK_SPACER_B	022-00000-75877
4	A63-00000-75869	1	P0B01-HEATSINK_B-110	022-00000-75872
3	A63-00000-75868	2	P0B01 HEAT SINK_A	022-00000-75872
2	F89-32023-00194	2	IN-SITO247/4180-SB2[R]	
1	F98-04400-27886	6	PLA-NYLBUSH[R]	022-02000-17253

Parts List		DESCRIPTION
PROJECT:	TONY LIANG	P0B01-PSU-PCB-ASM
DRAWN:	TONY LIANG	
CHECKED:	HUANG MING.YE	
APPROVED:	SHIRLEY.XIAO	
DATE:	8/17/2013	
SIZE:	A2	DRAWING NUMBER: 014-00000-93192
SCALE:	N T S	SHEET 1 OF 1

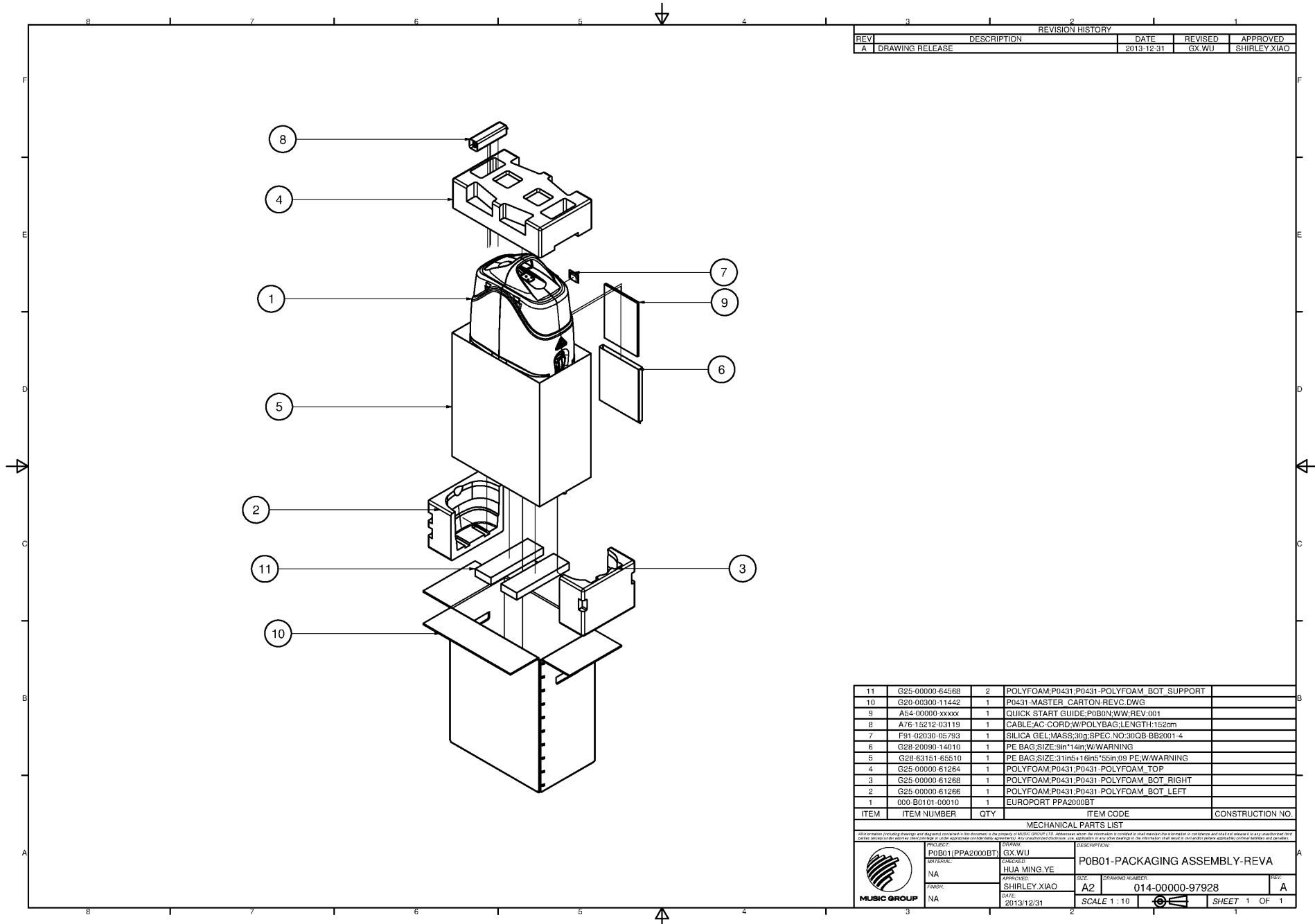
REV		REVISION HISTORY		
REV	DESCRIPTION	DATE	REVISED	APPROVED
A	DRAWING release	2013-08-17	Tony.Liang	Shirley.Xiao



ITEM	ITEM NUMBER	QTY	DESCRIPTION	ITEM CODE	CONSTRUCTION NO.
1	G58-00300-11128	4	PLA-LEDSPACER2[R]	022-02000-15814	

Parts List

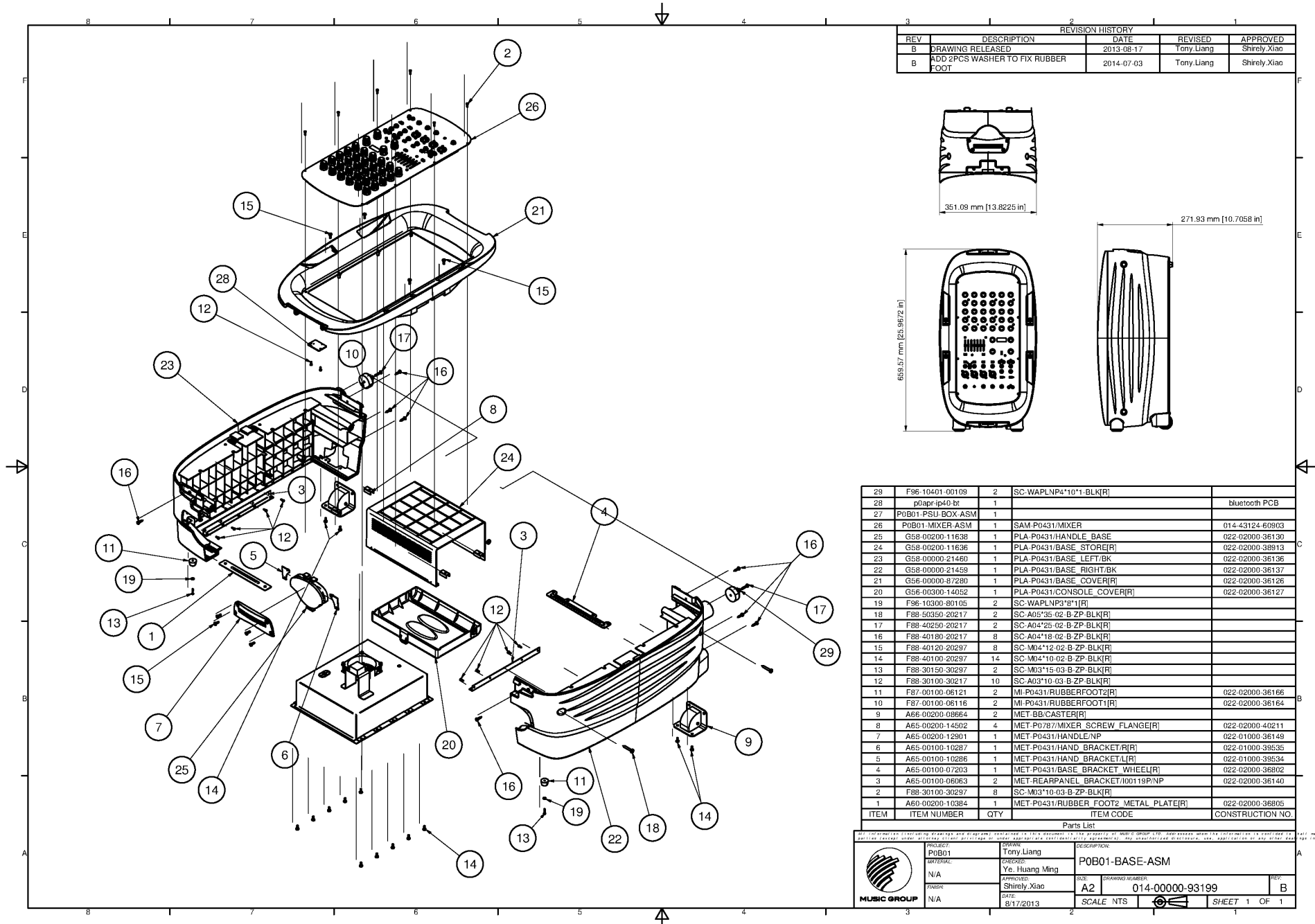
	PROJECT:	POB01	DRAWN:	Tony.Liang	DESCRIPTION:	POB01-PCB02-ASM
	MATERIAL:	N/A	CHECKED:	HUANG MING.YE	SIZE:	A2
	FINISH:	N/A	APPROVED:	Shirley.Xiao	DRAWING NUMBER:	014-00000-93196
		N/A	DATE:	8/17/2013	REV:	A
			SCALE:	N T S	SHEET 1 OF 1	



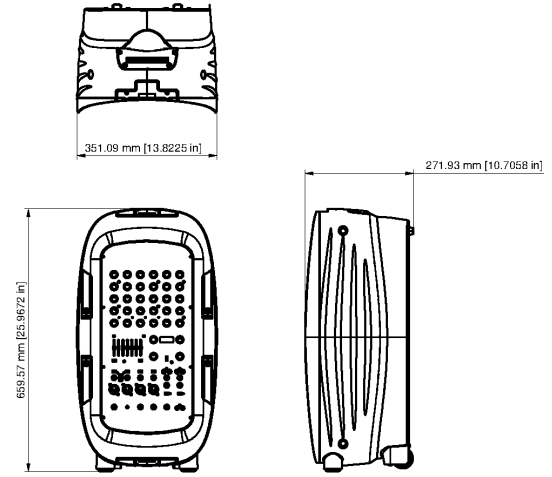
REVISION HISTORY		DATE	REVISED	APPROVED
REV	DESCRIPTION			
A	DRAWING RELEASE	2013-12-31	GX.WU	SHIRLEY.XIAO

ITEM	ITEM NUMBER	QTY	ITEM CODE	CONSTRUCTION NO.
11	G25-00000-64568	2	POLYFOAM;P0431;P0431-POLYFOAM_BOT_SUPPORT	
10	G20-00300-11442	1	P0431-MASTER_CARTON_REV.C.DWG	
9	A54-00000-xxxxx	1	QUICK_START_GUIDE;P0B0N;WW;REV:001	
8	A76-15212-03119	1	CABLE.AC_CORD_W/POLYBAG;LENGTH:152cm	
7	F91-02030-05793	1	SILICA_GEL;MASS:30g;SPEC.NO:30QB_BB2001-4	
6	G28-20090-14010	1	PE_BAG;SIZE:9in*14in;W;WARNING	
5	G28-63161-65510	1	PE_BAG;SIZE:31in*5+16in*55in;09_P.E;W;WARNING	
4	G25-00000-61264	1	POLYFOAM;P0431;P0431-POLYFOAM_TOP	
3	G25-00000-61268	1	POLYFOAM;P0431;P0431-POLYFOAM_BOT_RIGHT	
2	G25-00000-61266	1	POLYFOAM;P0431;P0431-POLYFOAM_BOT_LEFT	
1	000-B0101-00010	1	EUROPORT_PPA2000BT	

MECHANICAL PARTS LIST			
<small>All information (including drawings) and diagrams contained in this document is the property of MUSIC GROUP LTD. Information and/or the information is provided for your information only and shall not be used for any other purpose without the prior written consent of MUSIC GROUP LTD. Information and/or the information is provided for your information only and shall not be used for any other purpose without the prior written consent of MUSIC GROUP LTD.</small>			
	PROJECT: P0B01;PPA2000BT MATERIAL: NA FINISH: NA	DRAWN: GX.WU CHECKED: HUA MING.YE APPROVED: SHIRLEY.XIAO DATE: 2013/12/31	DESCRIPTION: P0B01-PACKAGING ASSEMBLY-REVA SIZE: A2 DRAWING NUMBER: 014-00000-97928 SHEET 1 OF 1



REVISION HISTORY		REVISED	APPROVED
REV	DESCRIPTION	DATE	
B	DRAWING RELEASED	2013-08-17	Tony Liang Shirely Xiac
B	ADD 2PCS WASHER TO FIX RUBBER FOOT	2014-07-03	Tony Liang Shirely Xiac

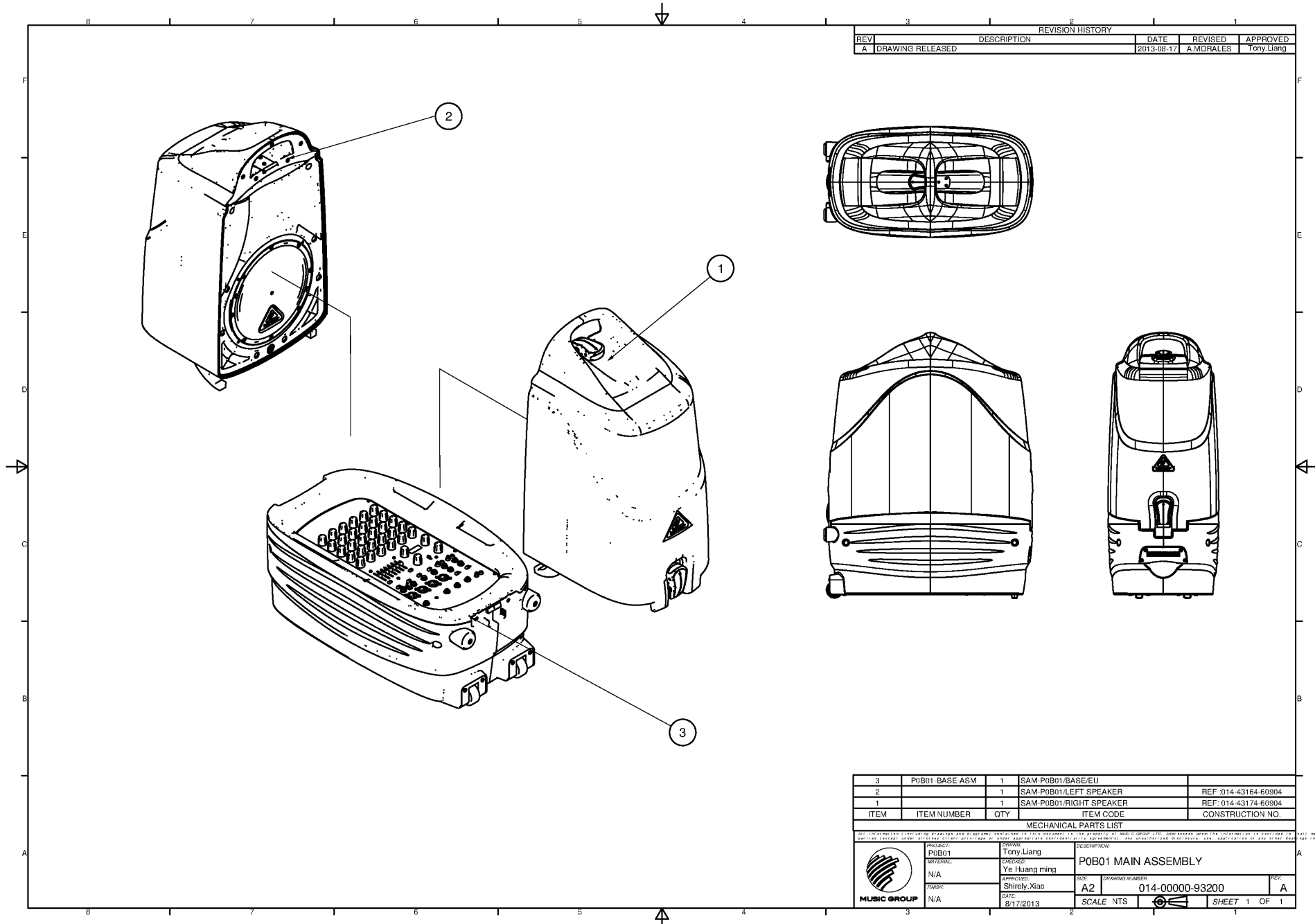


ITEM	ITEM NUMBER	QTY	DESCRIPTION	ITEM CODE	CONSTRUCTION NO.
29	F96-10401-00109	2	SC-WAPLNP4*10*1-BLK[R]		
28	p0aprip40 bt	1			bluetooth PCB
27	POB01-PSU BOX ASM	1			
26	POB01-MIXER ASM	1	SAM-P0431/MIXER		014-43124-60803
25	G58-00200-11638	1	PLA-P0431/HANDLE BASE		022-02000-36130
24	G58-00200-11636	1	PLA-P0431/BASE STORE[R]		022-02000-38913
23	G58-00000-21460	1	PLA-P0431/BASE LEFT/BK		022-02000-36136
22	G58-00000-21459	1	PLA-P0431/BASE RIGHT/BK		022-02000-36137
21	G56-00000-87280	1	PLA-P0431/BASE COVER[R]		022-02000-36126
20	G56-00300-14052	1	PLA-P0431/CONSOLE COVER[R]		022-02000-36127
19	F96-10300-80105	2	SC-WAPLNP3*8*1[R]		
18	F88-50350-20217	2	SC-A05*35-02-B-ZP-BLK[R]		
17	F88-40250-20217	2	SC-A04*25-02-B-ZP-BLK[R]		
16	F88-40180-20217	8	SC-A04*18-02-B-ZP-BLK[R]		
15	F88-40120-20297	8	SC-M04*12-02-B-ZP-BLK[R]		
14	F88-40100-20297	14	SC-M04*10-02-B-ZP-BLK[R]		
13	F88-30150-30297	2	SC-M03*15-03-B-ZP-BLK[R]		
12	F88-30100-30217	10	SC-A03*10-03-B-ZP-BLK[R]		
11	F87-00100-06121	2	MI-P0431/RUBBERFOOT2[R]		022-02000-36166
10	F87-00100-06116	2	MI-P0431/RUBBERFOOT1[R]		022-02000-36164
9	A66-00200-08664	2	MET-BB-CASTER[R]		
8	A65-00200-14502	4	MET-P0787/MIXER SCREW FLANGE[R]		022-02000-40211
7	A65-00200-12901	1	MET-P0431/HANDLE/NP		022-01000-36149
6	A65-00100-10287	1	MET-P0431/HAND BRACKET[R/R]		022-01000-38535
5	A65-00100-10286	1	MET-P0431/HAND BRACKET[L/R]		022-01000-38534
4	A65-00100-07203	1	MET-P0431/BASE BRACKET WHEEL[R]		022-02000-36802
3	A65-00100-06063	2	MET-REAR PANEL BRACKET/00119/P/NP		022-02000-36140
2	F88-30100-30297	8	SC-M03*10-03-B-ZP-BLK[R]		
1	A60-00200-10384	1	MET-P0431/RUBBER FOOT2 METAL PLATE[R]		022-02000-36805

Parts List

PROJECT: POB01	DRAWN: Tony Liang	DESCRIPTION: POB01-BASE-ASM
MATERIAL: N/A	CHECKED: Ye Huang Ming	SIZE: A2
APPROVED: Shirely Xiac	DATE: 8/17/2013	DRAWING NUMBER: 014-00000-93199
FMSBK: N/A		SCALE: NTS

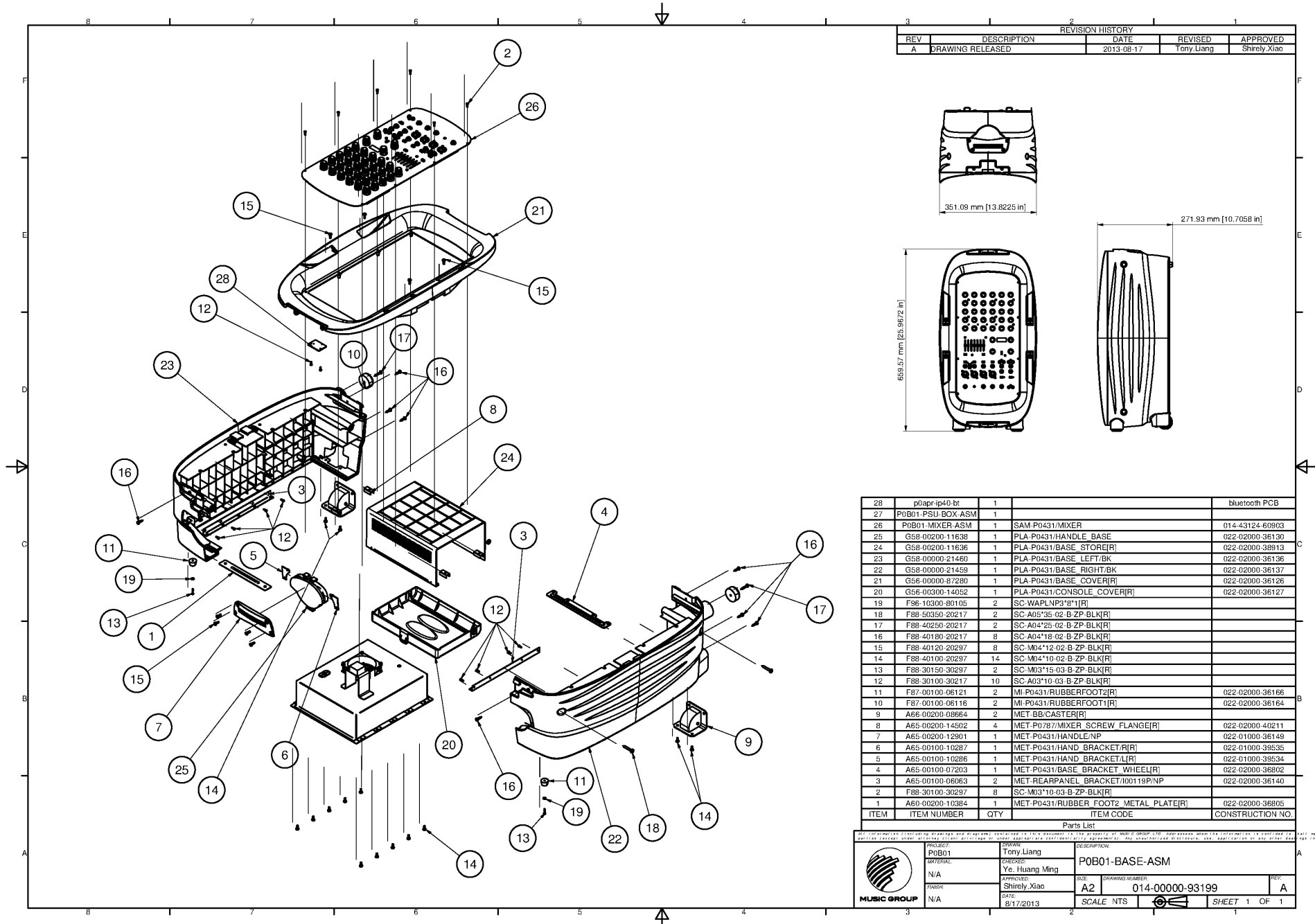
MUSIC GROUP SHEET 1 OF 1



REVISION HISTORY				
REV	DESCRIPTION	DATE	REVISED	APPROVED
A	DRAWING RELEASED	2013-08-17	A.MORALES	Tony Liang

ITEM	ITEM NUMBER	QTY	ITEM CODE	CONSTRUCTION NO.
3	POB01-BASE-ASM	1	SAM-POB01.BASE-EU	
2		1	SAM-POB01.LEFT SPEAKER	REF: 014-43164-60904
1		1	SAM-POB01.RIGHT SPEAKER	REF: 014-43174-60904

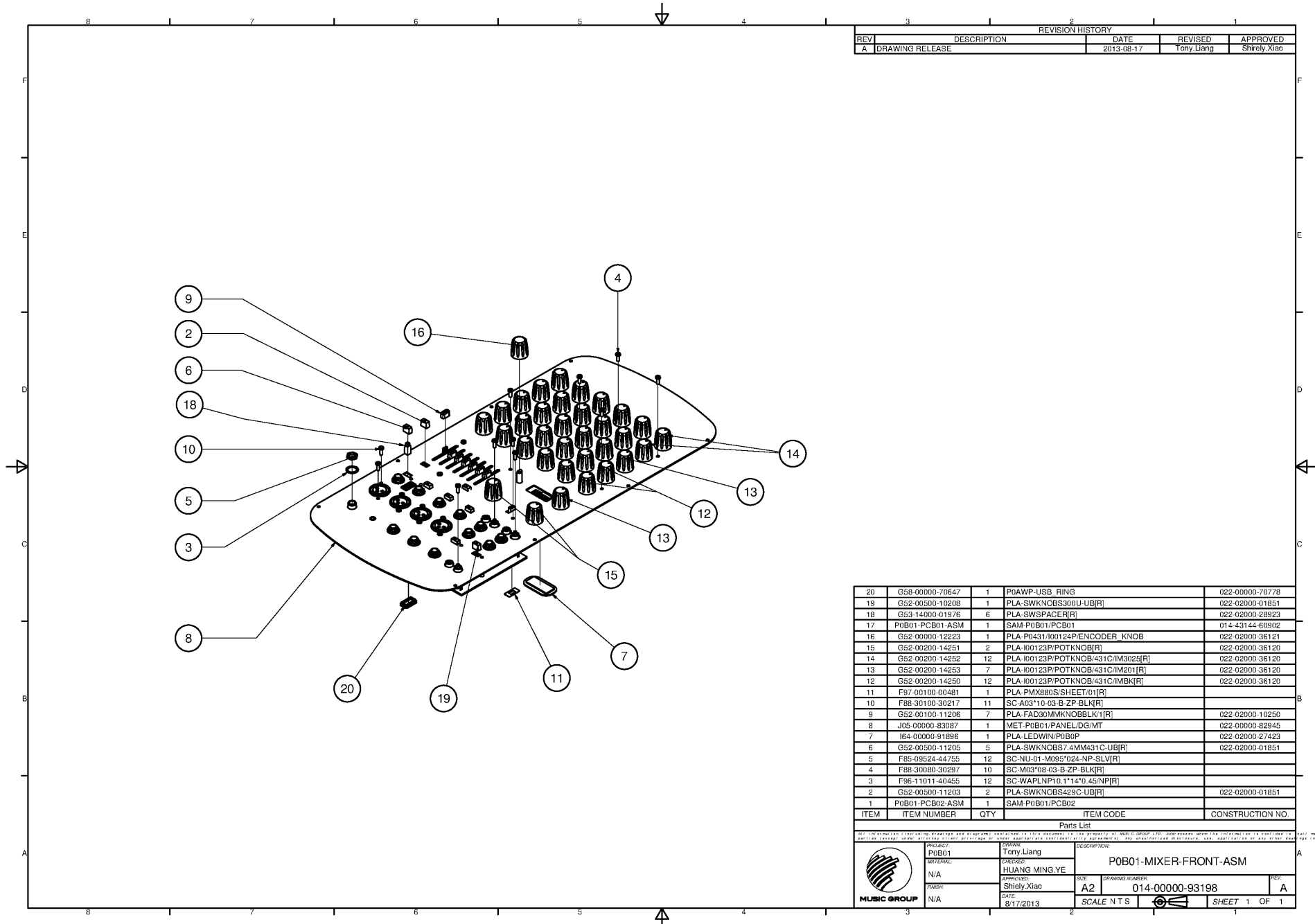
MECHANICAL PARTS LIST				
PROJECT:		DRAWN:		DESCRIPTION:
POB01		Tony Liang		POB01 MAIN ASSEMBLY
MATERIAL:		CHECKED:		SIZE:
N/A		Ye Huang ming		DRAWING NUMBER:
FINISH:		APPROVED:		REF:
N/A		Shirley Xiao		A2
		DATE:		014-00000-93200
		8/17/2013		A
		SCALE NTS		SHEET 1 OF 1



REVISION HISTORY		DATE	REVISED	APPROVED
REV	DESCRIPTION			
A	DRAWING RELEASED	2013-08-17	Tony.Liang	Shirely.Xiao

ITEM	ITEM NUMBER	QTY	DESCRIPTION	ITEM CODE	CONSTRUCTION NO.
28	p0aprip40-bit	1			bluetooth PCB
27	P0B01-PSU-BOX-ASM	1			
26	P0B01-MIXER-ASM	1	SAM-P0431/MIXER		014-43124-60803
25	G58-00200-11638	1	PLA-P0431/HANDLE- BASE		022-02000-36130
24	G58-00200-11636	1	PLA-P0431/BASE- STORE[R]		022-02000-38913
23	G58-00000-21460	1	PLA-P0431/BASE- LEFT/BK		022-02000-36136
22	G58-00000-21459	1	PLA-P0431/BASE- RIGHT/BK		022-02000-36137
21	G56-00000-87280	1	PLA-P0431/BASE- COVER[R]		022-02000-36126
20	G56-00300-14052	1	PLA-P0431/CONSOLE- COVER[R]		022-02000-36127
19	F96-10300-80105	2	SC-WAPLNP3*8*1[R]		
18	F88-50350-20217	2	SC-A05*35-02-B-ZP-BLK[R]		
17	F88-40250-20217	2	SC-A04*25-02-B-ZP-BLK[R]		
16	F88-40180-20217	8	SC-A04*18-02-B-ZP-BLK[R]		
15	F88-40120-20297	8	SC-M04*12-02-B-ZP-BLK[R]		
14	F88-40100-20297	14	SC-M04*10-02-B-ZP-BLK[R]		
13	F88-30150-30297	2	SC-M03*15-03-B-ZP-BLK[R]		
12	F88-30100-30217	10	SC-A03*10-03-B-ZP-BLK[R]		
11	F87-00100-06121	2	MI-P0431/RUBBERFOOT2[R]		022-02000-36166
10	F87-00100-06116	2	MI-P0431/RUBBERFOOT1[R]		022-02000-36164
9	A66-00200-08664	2	MET-BB-CASTER[R]		
8	A65-00200-14502	4	MET-P0787/MIXER- SCREW- FLANGE[R]		022-02000-40211
7	A65-00200-12901	1	MET-P0431/HANDLE/NP		022-01000-36149
6	A65-00100-10287	1	MET-P0431/HAND- BRACKET[R/R]		022-01000-38535
5	A65-00100-10286	1	MET-P0431/HAND- BRACKET[L/R]		022-01000-38534
4	A65-00100-07203	1	MET-P0431/BASE- BRACKET- WHEEL[R]		022-02000-36802
3	A65-00100-06063	2	MET-REARPANEL- BRACKET/I00119P/NP		022-02000-36140
2	F88-30100-30297	8	SC-M03*10-03-B-ZP-BLK[R]		
1	A60-00200-10384	1	MET-P0431/RUBBER- FOOT2- METAL- PLATE[R]		022-02000-36805

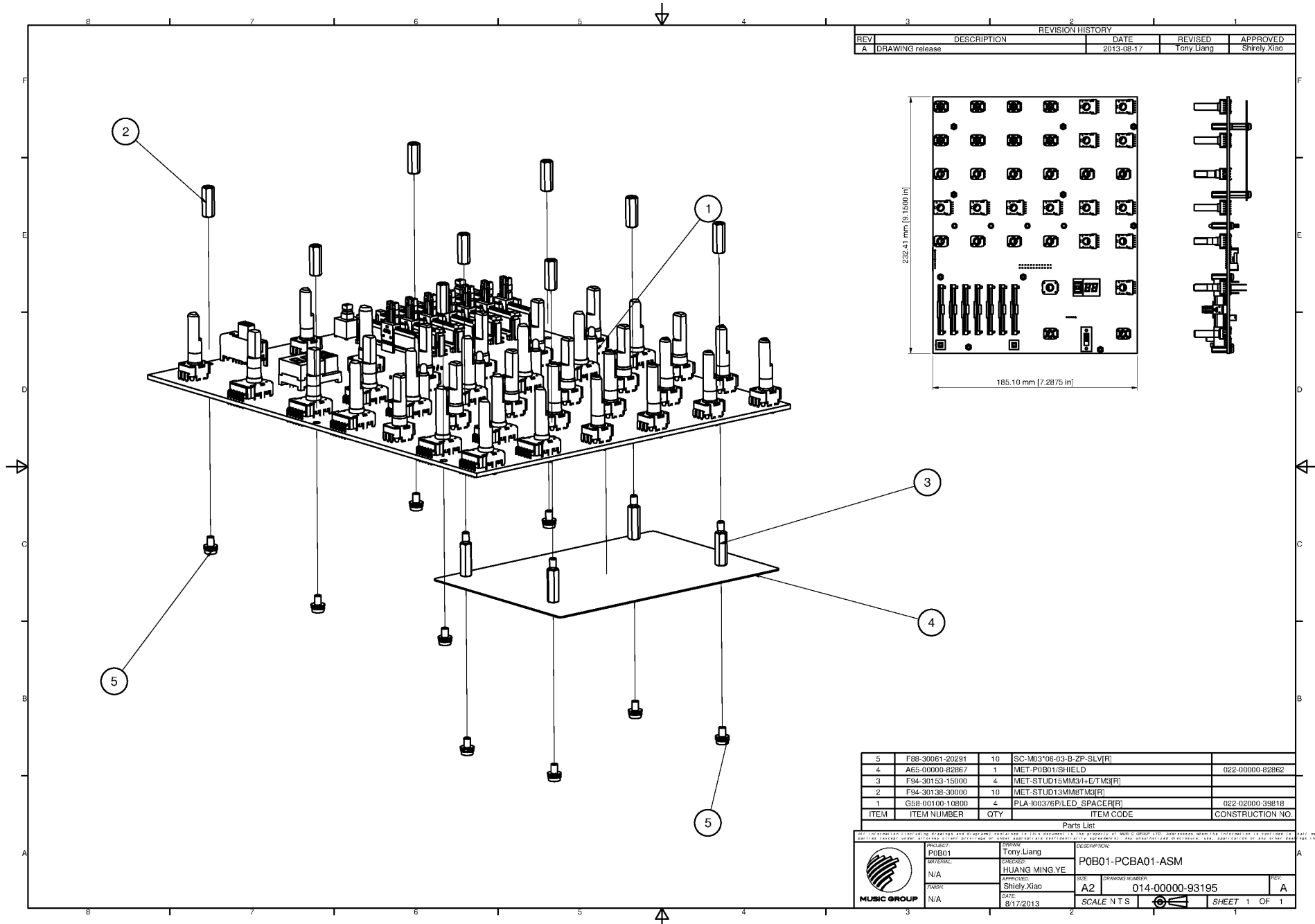
Parts List		DESCRIPTION	
PROJECT:	P0B01	DRAWN:	Tony.Liang
DRAWN:	Ye. Huang.Ming	CHECKED:	Ye. Huang.Ming
APPROVED:	Shirely.Xiao	DATE:	8/17/2013
SCALE:	A2	DRAWING NUMBER:	014-00000-93199
SHEET:	1	OF:	1



REVISION HISTORY		DATE	REVISED	APPROVED
REV	DESCRIPTION			
A	DRAWING RELEASE	2013-08-17	Tony.Liang	Shirley.Xiao

ITEM	ITEM NUMBER	QTY	ITEM CODE	CONSTRUCTION NO.
20	G58-00000-70647	1	P0AWP-USB_RING	022-00000-70778
19	G52-00500-10208	1	PLA-SWKNOBS300U-UB[R]	022-02000-01851
18	G53-14000-01976	6	PLA-SWSPACER[R]	022-02000-28923
17	P0B01-PCB01-ASM	1	SAM-P0B01/PCB01	014-43144-60902
16	G52-00000-12223	1	PLA-P0431/00124P/ENCODER_KNOB	022-02000-36121
15	G52-00200-14251	2	PLA-I00123P/POTKNOB[R]	022-02000-36120
14	G52-00200-14252	12	PLA-I00123P/POTKNOB/431C/IM3025[R]	022-02000-36120
13	G52-00200-14253	7	PLA-I00123P/POTKNOB/431C/IM201[R]	022-02000-36120
12	G52-00200-14250	12	PLA-I00123P/POTKNOB/431C/IMBK[R]	022-02000-36120
11	F97-00100-00481	1	PLA-PMX880S/SHEET/01[R]	
10	F88-30100-30217	11	SC-A03*10-03-B-ZP-BLK[R]	
9	G52-00100-11206	7	PLA-FAD30MMKNOBBLK/1[R]	022-02000-10250
8	J05-00000-83087	1	MET-P0B01/PANEL/DG/MT	022-00000-82945
7	I64-00000-91886	1	PLA-LEDWIN/P0B0P	022-02000-27423
6	G52-00500-11205	5	PLA-SWKNOBS7.4MM431C-UB[R]	022-02000-01851
5	F85-09524-44755	12	SC-NU-01-M095*024-NP-SLV[R]	
4	F88-30080-30297	10	SC-M03*08-03-B-ZP-BLK[R]	
3	F96-11011-40455	12	SC-WAPLNP10.1*14*0.45/NP[R]	
2	G52-00500-11203	2	PLA-SWKNOBS429C-UB[R]	022-02000-01851
1	P0B01-PCB02-ASM	1	SAM-P0B01/PCB02	

Parts List			
PROJECT:	POB01	DESCRIPTION:	POB01-MIXER-FRONT-ASM
DRAWN:	Tony.Liang	DATE:	8/17/2013
CHECKED:	HUANG MING.YE	SCALE:	N T S
APPROVED:	Shirley.Xiao	DRAWING NUMBER:	014-00000-93198
DATE:	8/17/2013	REV:	A
MUSIC GROUP		SHEET 1 OF 1	



REVISION HISTORY		DATE	REVISED	APPROVED
REV	DESCRIPTION			
A	DRAWING release	2013-08-17	Tony.Liang	Shirley.Xiao

ITEM	ITEM NUMBER	QTY	ITEM CODE	CONSTRUCTION NO.
5	F88-30061-20291	10	SC-M03*06-03-B-ZP-SLV[R]	
4	A65-00000-82867	1	MET-POB01/SHIELD	022-00000-82862
3	F94-30153-15000	4	MET-STUD15MM3/I+E/TM3[R]	
2	F94-30138-30000	10	MET-STUD13MM6T/M3[R]	
1	G58-00100-10800	4	PLA-I00376P/LED_SPACER[R]	022-02000-39818

Parts List

		PROJECT: P0B01 MATERIAL: N/A FINISH: N/A		DRAWN: Tony.Liang CHECKED: HUANG MING.YE APPROVED: Shirley.Xiao DATE: 8/17/2013		DESCRIPTION: P0B01-PCBA01-ASM SIZE: A2 DRAWING NUMBER: 014-00000-93195 SCALE: N T S		REV: A SHEET 1 OF 1
--	--	--	--	--	--	--	--	------------------------



We Hear You