

SERVICE MANUAL

PE-5 CHASSIS

Table of Contents-Service Manual of PE-5 Chassis

Remark: Suitable for 38" — 70" RPTV. Demonstrate on the main model

1. **Technical Specifications** (Circuit Diagram、Structure)
2. **Safety Instruction**..... (Circuit Diagram、Structure)
3. **Signal Procedure Chart**.....
4. **Power Supply System Chart**.....
5. **Remote Control Chart**.....
6. **Key-Points Wave Form Chart**.....
7. **Repair Analyze**.....
8. **Repair Parameter Adjustment**.....
9. **Convergence Parameter Fine-Adjustment**.....
10. **IC Datum, On Line Resistor Quantity and Normal Working Power Voltage**.....
11. **Prototype Trouble Shooting Procedure**
12. **Circuit Diagram, PCB Chart, Exploded View Chart and I2C-Bus Chart**
13. **Part List**.....



Warning

This service manual is suitable only for experienced service personnel, not normal user. Ant attempt to repair the products related to this service manual by any non-experienced service personnel will cause serious injury, even life hazard!

TECHNICAL DATA

Rated Voltage: 160—260V~ , 50Hz

Rated Consumption Power: 230W < 1W (On Standby)

FS System: Frequency Synthesis Auto Searching FS

Channels Preset: 100

RF: 75Ω Non-Balance Coaxial

Color System: PAL、NTSC、SECAM

Audio System: D/K、B/G、I、L

Signal Terminal: RF、AV、S-Video、SCART

Project Tube: 7” High Bright and Long Life Project Tube

High Votage: 30.5±1.0KV

Audio Output Consumption Power: 26W (13W+13W) (10%THD)

Video/Audio Terminal:

CVBS: 1.0Vp-p 75Ω

S-Video: Y: 1.0Vp-p 75Ω C:0.3Vp-p 75Ω

Monitor Output: AV: 1.0Vp-p 75Ω Audio:200mVrms 1KΩ

Dimension and Weight: Reference to User's Manual

Screen Size:

RPTV Model	Screen Size (Width*Height, mm)	Weight (kg)
38EP91	788*595	43
43EP91	890*671	50
43EP89	899*679	76
51EP89	1058*803	82

Remark: No Pre-Notification when any design or specification changed

RECOMMENDATION FOR SERVICE REPAIRS

- 1- Use only original spare parts. Only use components with the same specifications for replacement.
- 2- Original fuse value only should be used.
- 3- Main leads and connecting leads should be checked for external damage before connection.
Check the insulation.
- 4- Parts contributing to the safety of the product must not be damaged or obviously unsuitable.
This is valid especially for insulators and insulating parts.
- 5- Thermally loaded solder pads are to be sucked off and re-soldered.
- 6- Ensure that the ventilation slots are not obstructed.
- 7- The voltage is as high as 32KV when the RPTV is under working status. Please pay special attention to that when carrying out the power on repairing. Nor, life hazard will be possible.
Before repairing on the project tube, please discharge the positive pole of the project tube under power off status. There is high vacuum inside of the project tube, and glass chips will strongly splash when the project tube is broken. Wear shock-resistant protective glasses and keep far away from persons without taking protective measures.
- 8- Keep wire away from the high voltage or high temperature components.
- 9- When replacing a wattage resistor in circuit board, keep the resistor 10 mm away from circuit board.
- 10- Project tube, screen, optical lens and convex lens inside of the cooling tube are all precision displaying apparatus and their surface or inside should be kept away from the any hard project. Or the picture quality will be affected.
- 11- Please recover the positions of all parts, the install status, the component model and parameter to their former status before repairing.
- 12- Strongly recommend put the machine on a proper-height desk to make it easy to watch and text during repairing on the board of the bottom panel. (As shown in Chart 1)

HANDLING OF MOS CHIP COMPONENTS

MOS circuit requires special attention with regard to static charges. Static charges may occur with any highly insulating plastics and can be transferred to persons wearing clothes and shoes made of synthetic materials. Protective circuits on the inputs and outputs of mos circuits give protection to a limited extend only due to time of reaction.

Please observe the following instructions to

protect the components against damage from static charges.

- 1- Keep mos components in conductive package until they are used. Most components must never be stored in styropor materials or plastic magazines.
- 2- Persons have to rid themselves of electrostatic charges by touching MOS components.

- 3- Hold the component by the body touching the terminals.
- 4- Use only grounded instruments for testing and processing purposes.
- 5- Remove or connect MOS ICs when operating voltage is disconnected

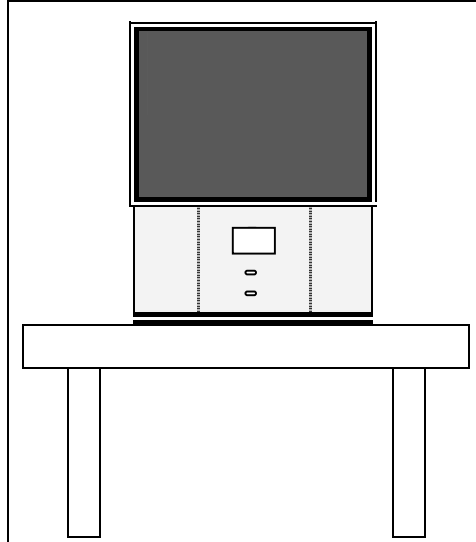
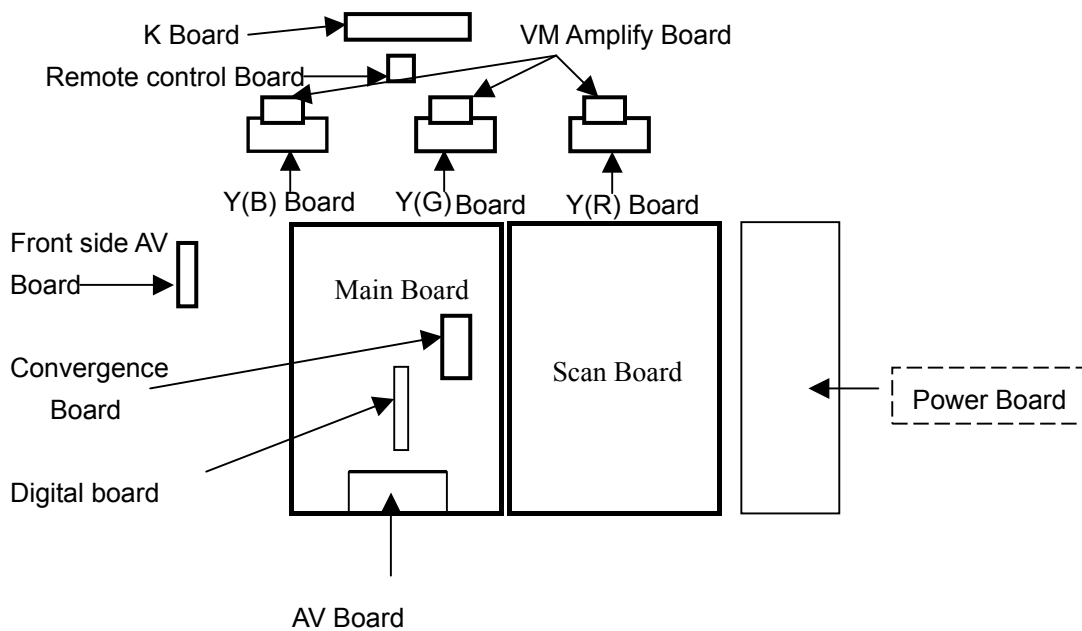


Chart 1

Distribution of circuit board on chassis

- Remark: A. The specific position and the install mode of all circuit boards, and the side AV board are subject to actual models;
- B. The remote receiving board is always installed inside the cabinet back of the displaying screen. Please take off the displaying screen or the back cover when repairing the remote receiving board.



Circuit Board Name	Description on Functions
Main Board	Signal processing
Scanning Board	Scanning, Convergence, Amplify, High-Voltage Supplying
Power Board	Machine Power Supplying
AV Board, Front AV Board	Audio and Video Shift, Audio Processing
Convergence Board	Convergence Processing
Digital Board	Inverter Processing
Y Board	CPT Driving
Remote Receiving Board (K Board)	Signal Controlling by Button on, Remote Signal Receiving
VM Amplify Board	VM Signal Power Amplifying

SERVICE MENU

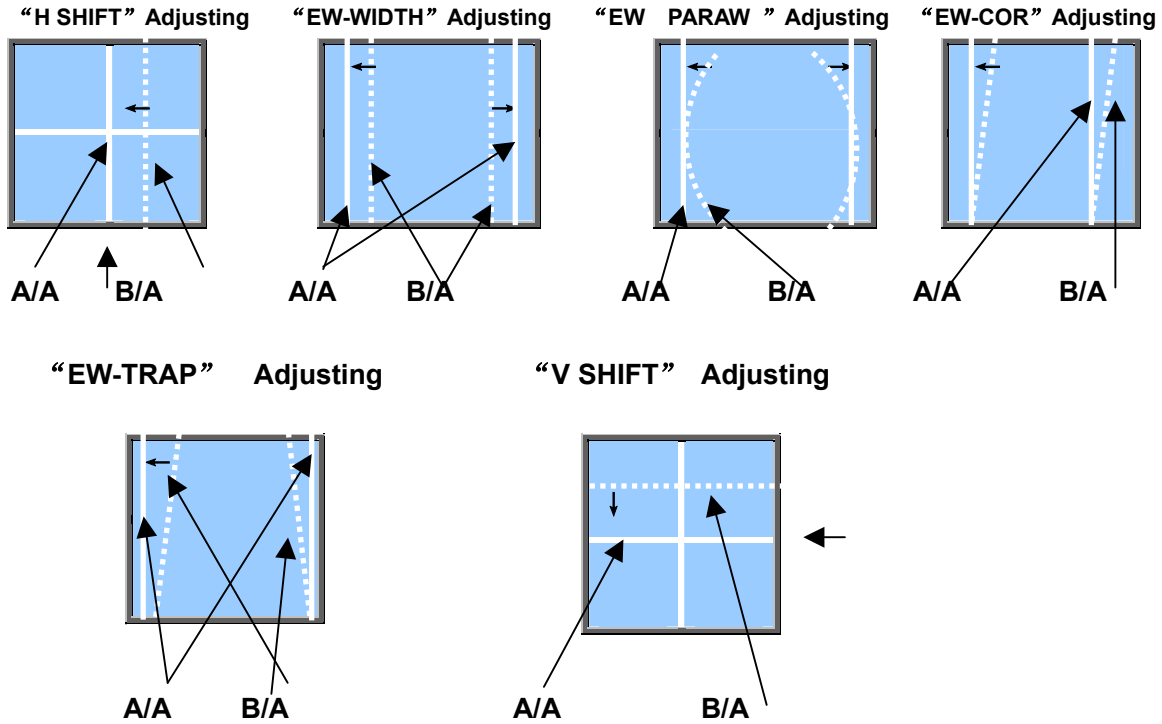
1 In PE-5 chassis, can enter into, adjust and exit the "S" Mode according to the instruction as follows: Reduce the volume to "0" and press the "Mute" button at the same time till the color of the "Mute" button turns to yellow. Then press "Menu" button on the machine body to enter into "S" mode. Under the "S" mod, you can choose menus, choose item to adjust by pressing "P+" or "P-", adjust parameter by pressing "V+" or "V-." Exit "S" mode by pressing "STILL" button.

2 Parameter Item and default Value:

Parameter Item	Default Value	Remark
[01]		
V-AMP (Frame)	54	
V-SHIFT (Frame Center)	86	
V- LINEARITY (Frame Linearity)	21	
S-COR (Frame S Adjust)	32	
V-DF- PHASE (Frame Dynamic Focus Phase)	8	
V-DF- AMP ((Frame Dynamic Focus Breadth)	8	
EW-WIDTH (Horizontal)	34	
H-SHIFT (Horizontal Center)	57	
EW-PARAW (Pincushion Distortion)	15	
EW-TRAP (Trapezium Distortion)	57	
EW-UPCORN (Upper Corner Distortion)	16	
EW-DNCORN (Down Corner Distortion)	16	
EW-CORNER Corner Distortion)	16	
[02]		
DRIVE-R	3F	
DRIVE-B	3F	
R- CUT	80	
G- CUT	80	
B- CUT	80	
BUS STOP ON (Bus switch)	OFF	
FIRST POWER ON (Default)	OFF	
SUB BRIGHT (Side Brightness)	57	
Y-DELAY (PAL Y Delay)	8	
SECAM-Y-DELAY (SECAM Y Delay)	0	
NTSC-Y-DELAY (NTSC Y Delay)	8	
VSM-PHASE	7	

Remark: (1) The datum in the above chart may be different according to different chassis (Deflection Supplier) or different structure size and optical system on a same chassis.

(2) Geometry Parameter Adjusting Model:



A/A: After Adjusting; B/B: Before Adjusting;

(3) White Balance Parameter:

Parameter Item	Parameter Value	Parameter Item	Parameter Value
R CUT	80	R DRI	3F
G CUT	80	B DRI	3F
B CUT	80		

Need to adjust the above white balance parameter after carrying on the following repairing working:

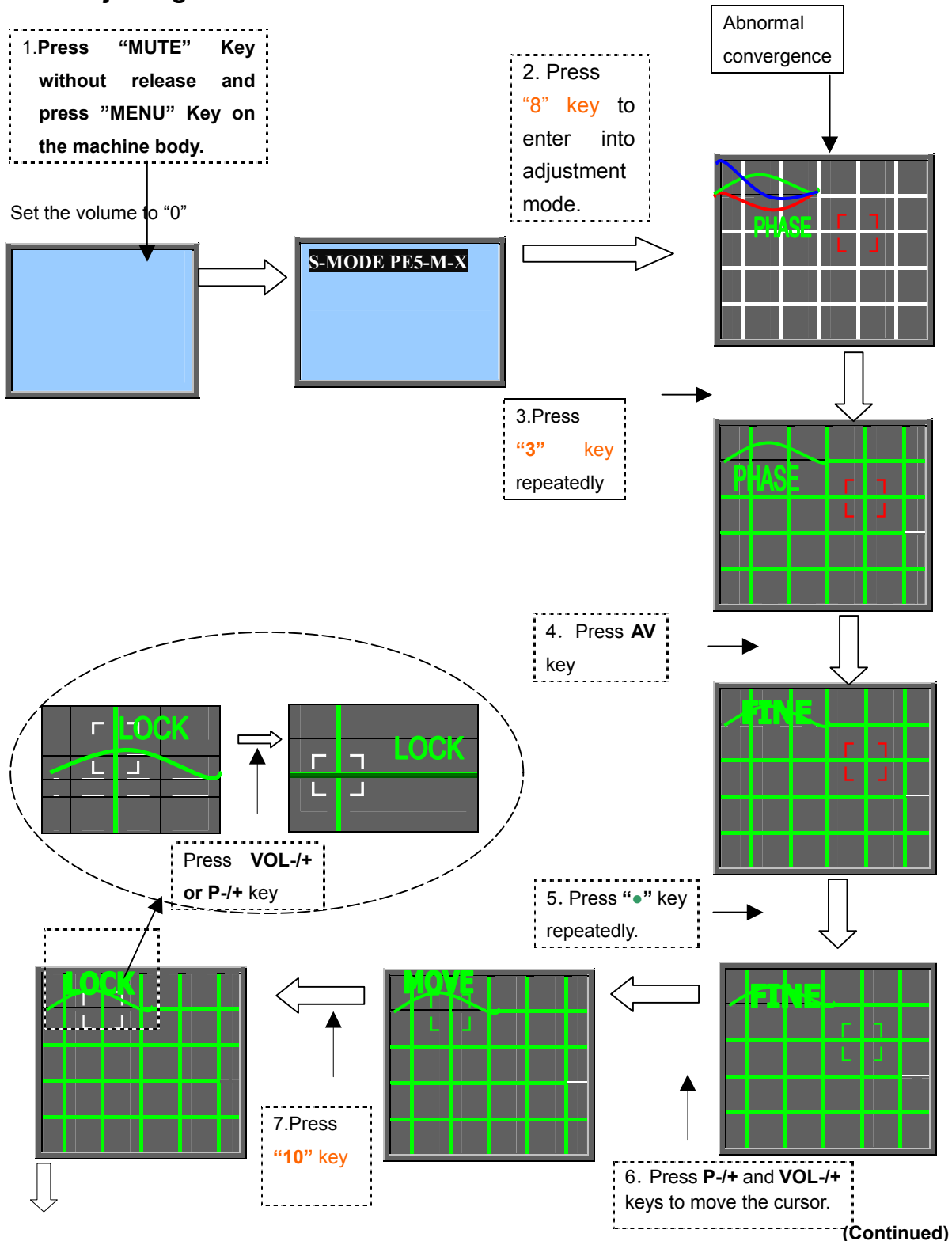
- 1) Replacing project tube
- 2) Replacing signal processing board or the IC on the board.
- 3) Replacing Y board or the IC on the board.

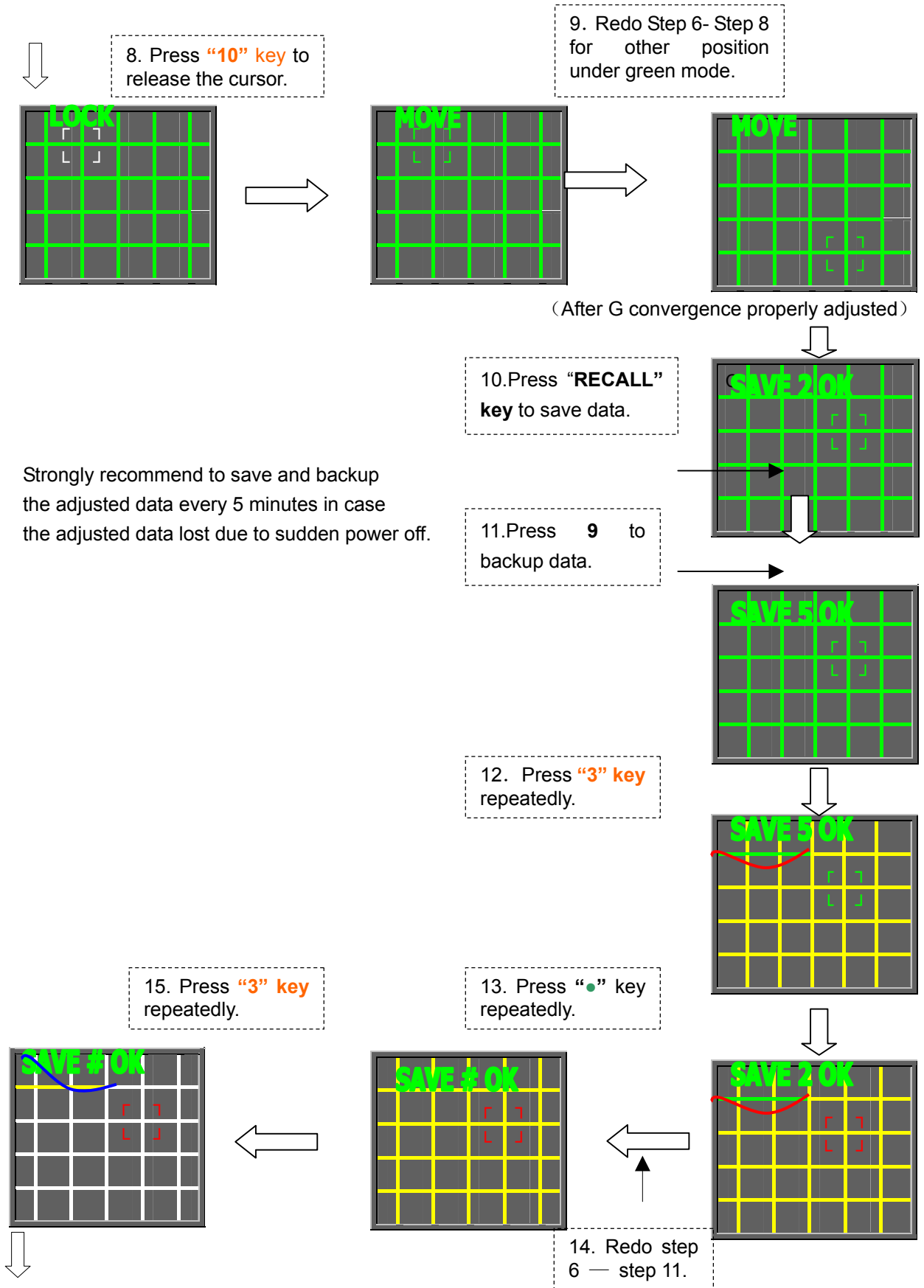
Convergence Fine Adjusting

Remark: ● Please pay attention to the displaying color of the network and the cursor, and the displaying status during adjusting.

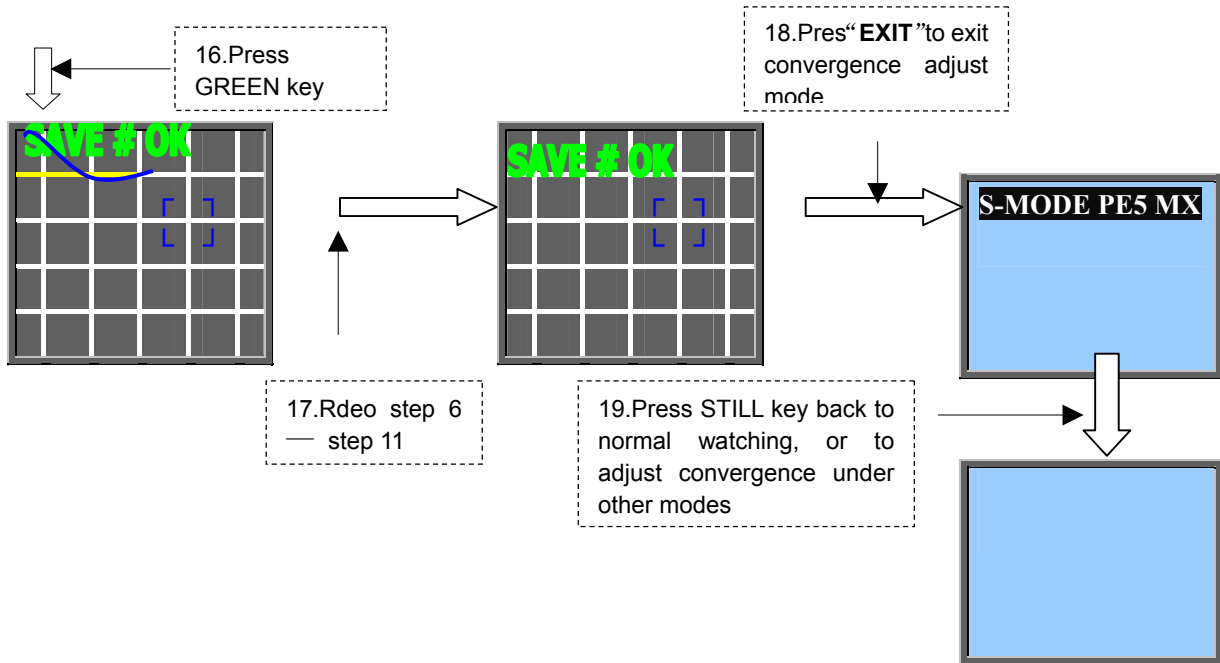
● Convergence under 16: 9 mode and 4: 3 mode need to be adjusted separately.

Fine Adjusting Model:





(Continued)

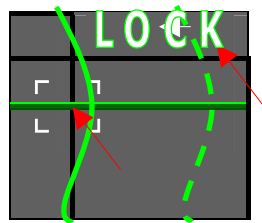


Attachment: Examples of dot/line adjustment

- During convergence adjustment, press "5"key on the remote control to switch between DOT and LINE modes. Can use these two adjust modes during convergence adjusting.

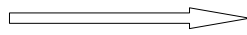
(Example 1:line mode)

Moving convergence lines to right or left



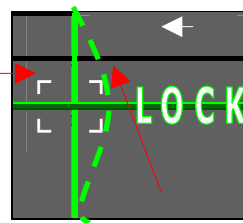
1 (Before Line Adjust)

2 (After Dot Adjust)



(Example 2:dot mode)

Making convergence lines straight.



1 (Before Dot Adjust)

2 (After Line Adjust, while before Dot adjust)

Direction of Fine-Adjustment Convergence For PE-5 Chassis

- The following adjustment procedures are USED ONLY for Fine-Adjustment (i.e. some convergence lines are little bit slantwise, bended or the red or blue convergence line deviates from the green convergence line).
- **Important:**
 1. Convergences under 4:3 mode and 16:9 mode should be checked and adjusted respectively.
 2. Don't cut off or change the signal source after entering into the convergence adjustment mode.
 3. Don't press "EXIT" key on the remote control during adjustment, otherwise you will lose the date (Back to Non-adjusted status).
 4. Please check the "Convergence Fine Adjusting" for your reference when reading this direction.。

- If the crosshatches shown as the right figure 1 (The white lines are straight and in parallel with the frame of the screen), that means the convergence of your rear projection TV is excellently adjusted in the factory and you don't need to re-adjust it (the amount of convergence lines , distribution and shape of the screen are subject to actual status of the projection TV).

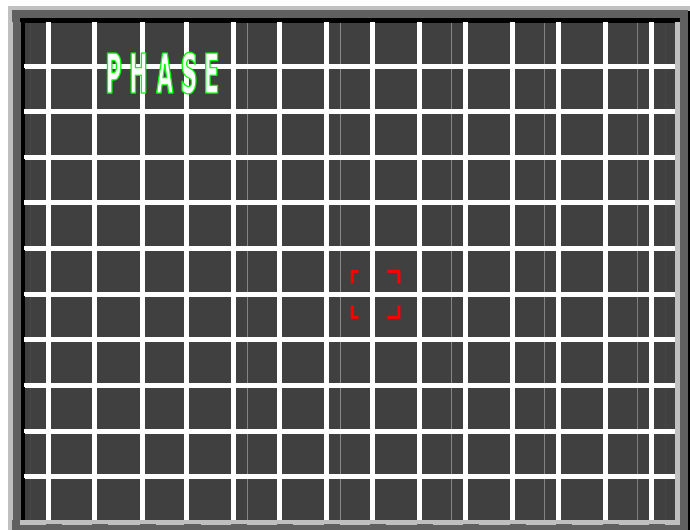


Chart 1(Normal Convergence Crosshatch)

● Functions of Keys on Remote Control in Convergence Adjusting

- | | |
|--|--|
| "8" Key: Enter Convergence Adjust Mode | AV : Convergence Adjust Mode Select |
| P +/- : Move Cursor Up or Down | "10" Key : Lock/Release Cursor |
| "3" Key: Change Crosshatch Color | V +/- : Move Cursor Left or Right |
| "●" key : Change Cursor Color | 9 : Backup Adjusted Dat |
| "5" Key : Change Between Dot Adjust Mode and Line Adjust Mode | |
| 0 : Load Backup Data | |
| RECALL: Store Convergence Data | "7" Key : Clear Data |
| SLEEP : Superimpose Crosshatch with Picture | |
| CH + / CH - : Speed up/Slow down Adjusting Speed | |
| EXIT : Exit Convergence Adjust Mode | STIL: Load Present Mode Data |

Convergence Fine-Adjusting Procedures. (The following steps comply with the steps which are stipulated in the Convergence Fine-adjusting for PE-5 chassis).

1. Reduce the volume to 0. Press and hold “MUTE” key on the remote control till the color of “MUTE” turns , and press “MENU” key on the front panel of the unit at the same time when a “S-MODE PE5-M-V1.03 03-04-21 ” appears on the left corner of the screen. This means that you have entered the “S Mode” also known as “Repairing Mode”. V1.03 refers to the software version and 03-04-21 refers to date of software fixed. These may be different according to different manufacturing time.
2. Press “8” key on the remote control to enter into convergence adjust mode. If the white crosshatches and the red cursor are shown as in figure 1, it means that the convergence of your rear projection TV is excellently adjusted in the factory.
3. Press “3” key on the remote control repeatedly when the crosshatches’ color changes. To adjust the green convergence line, choose green convergence line firstly.
4. Press ‘AV” key on the remote control repeatedly when the convergence adjustment mode circles in PHASE→COARS→FINE→PHASE. Highlight FINE to enter into fine-adjustment convergence mode.
5. Press “GREEN” key on the remote control when the cursor’s colour circles in red→green→blue→red. The cursor’s colour shows red means that the red convergence line needs to be adjusted. The cursor’s colour shows green means that the green convergence line needs to be adjusted, and so on. (The green convergence line always needs to be adjusted firstly. Then the red line and the blue line need to be adjusted to be in line with the green line).
6. Press “P+”/“P-” or “VOL+”/“VOL-”key on the remote control respectively to move the cursor right / left or up / down to the position where you want to adjust.
7. Press “10” key on the remote control to lock the cursor when its colour turns white and “FINE” character changes to “LOCK” on the screen), you can start convergence adjusting. (During adjusting, press “P+”/“P-” or “VOL+”/“VOL-”key on the remote control will lead the convergence lines around the cursor move up and down or left and right to adjust the convergence there.)

Remark:

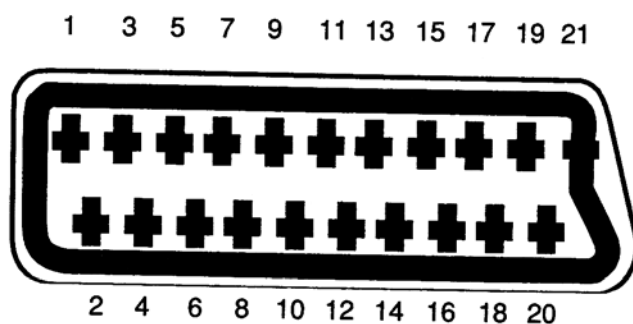
- a. In order to adjust the whole convergence line, please press “5” key on the remote control to display LINE MODE on the screen. See Convergence Fine Adjusting for PE-5 chassis. Press “10” key on the remote control to lock the cursor, and press “P+”/“P-” or “VOL+”/“VOL-” key on the remote control to adjust convergence line right/left or up/down. Press “5” key on the remote control again to display “POINT” on the screen, which means the projection TV return to convergence dot adjustment mode (After entering into convergence adjusting mode, the default setting is dot mode).
- b. The location of the adjusted crosshatch dot is displayed on the screen. That’s for reference only.

8. When adjustment finish, press "10" key to release the cursor (the cursor's colour turns back to green and "LOCK" character changes to "MOVE").
9. Press "P+"/ "P-" or "VOL+" / "VOL-" key on the remote control to move the cursor right / left or up / down to the other place you want to adjust. Redo step 6-8. (The finished whole green convergence crosshatches are as good as shown in Chart 1.)
10. When green convergence adjustment finish, press "RECALL" key on the remote control to save the adjusted data and "SAVE # OK" appears on the screen ("SAVE 2 OK" appears on the screen 10 seconds after "RECALL" key pressed).
11. Press "9" key on the remote control to backup the adjusted data and "SAVE 5 OK" appears on the screen when storage finish.
12. After green convergence adjust, storage and backup finish, repeatedly press "3" key on the remote control till the convergence crosshatches on the screen turn their colors to coinage color of Red and Green. (The color of the crosshatches where Red and Green completely coinage will be yellow.)
13. Press "GREEN" Key to turn the cursor's color to Red and enter into Red Convergence Adjusting Mode.
14. Redo steps 6-11. Make red lines be line with green lines
15. After red convergence adjust, storage and backup finish, repeatedly press "3" key on the remote control till the convergence crosshatches on the screen turn their colors to coinage color of Red and Green and Blue. (The color of the crosshatches where Red and Green and Blue completely coinage will be white.)
16. Press "GREEN" Key to turn the cursor's color to Blue and enter into Blue Convergence Adjusting Mode.
17. Redo steps 6-11. Make blue lines be line with green lines. Store and backup adjusted data.
18. After storing and backuping the adjusted data, press "EXIT" key on the remote control to exit the convergence adjustment mode. Exit convergence mode means back to "S Mode"
19. Press STILL key back to normal watching, or to adjust convergence under other modes

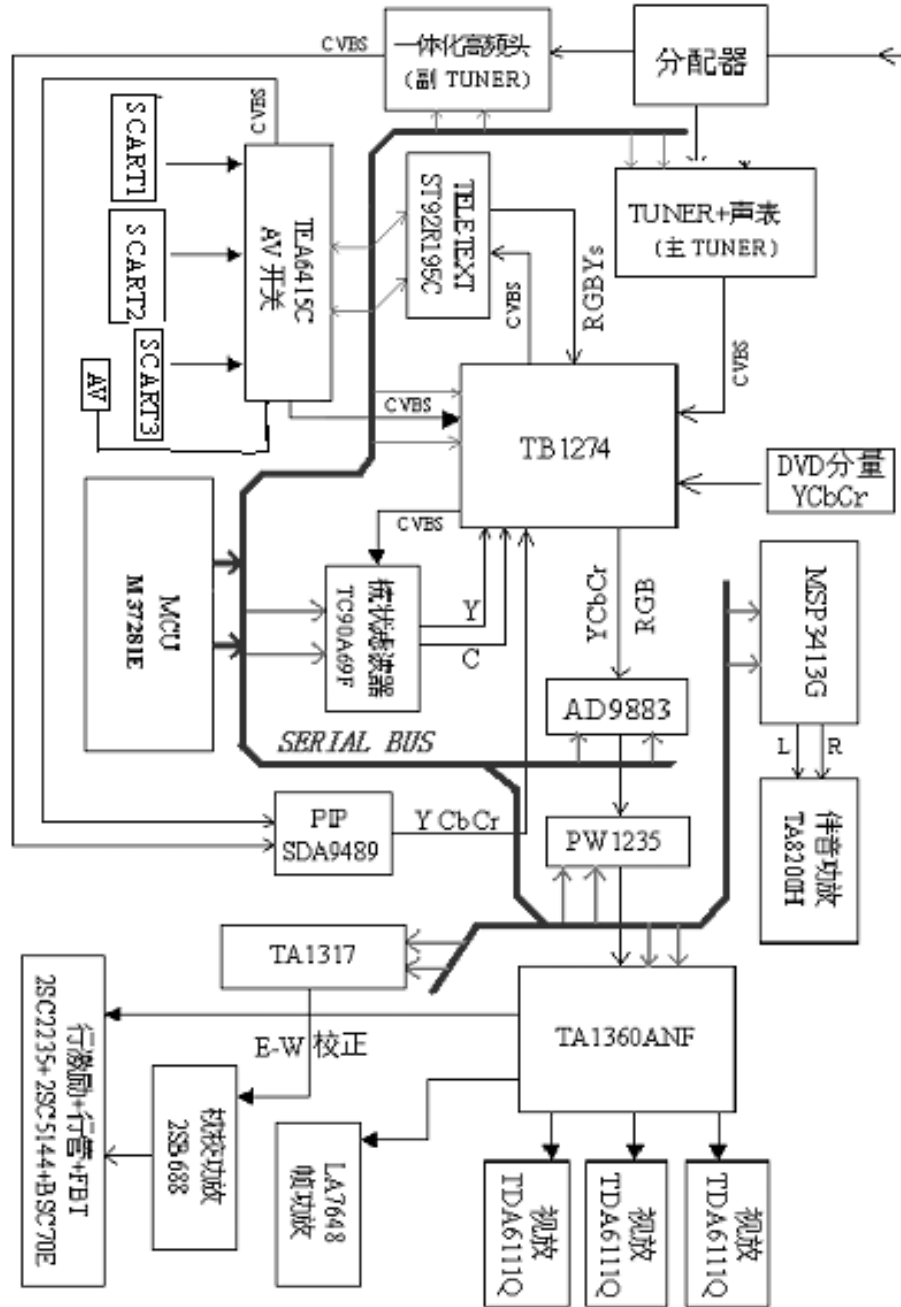
Remark: Key "3", "5", "7", "8", "10", etc., please check the attached "43RP-100 Key Function On the Remote Control .tif"!!!

SPECIFICATION OF THE CONNECTOR (EURO SCART)

- 1- Audio output 1. right channel 0.5 VRMS/ $<1 k \Omega$
- 2- Audio input 1. right channel 0.5 VRMS (connected to No.6)
- 3- Audio output 2. left channel 0.5 VRMS (connected to No.1)
- 4- GND (audio)
- 5- GND
- 6- Audio input 2. left channel 0.5 VRMS/ $>10k \Omega$
- 7- RGB input, blue (B)
- 8- Switch signal video (status)
- 9- GND
- 10- Reserved for clock signals (not connected)
- 11- RGB input, green (G)
- 12- Reserved for remote control (not connected)
- 13- GND
- 14- GND switch signal RGB
- 15- RGB input, red (R)
- 16- Switch signal RGB
- 17- GND (video)
- 18- GND 19- Video output 1 Vpp/75 ohm
- 19- Video input 1 Vpp/75 ohm
- 20- Shield

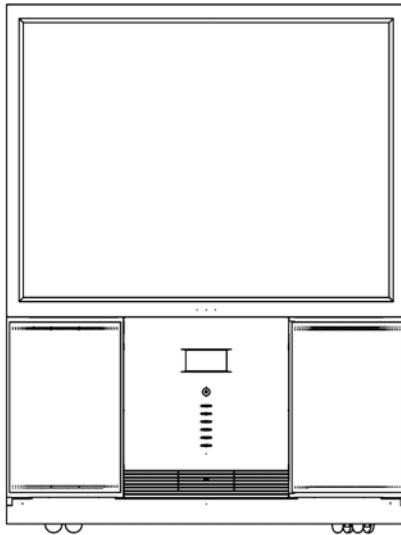


Signal Processing Flowchart

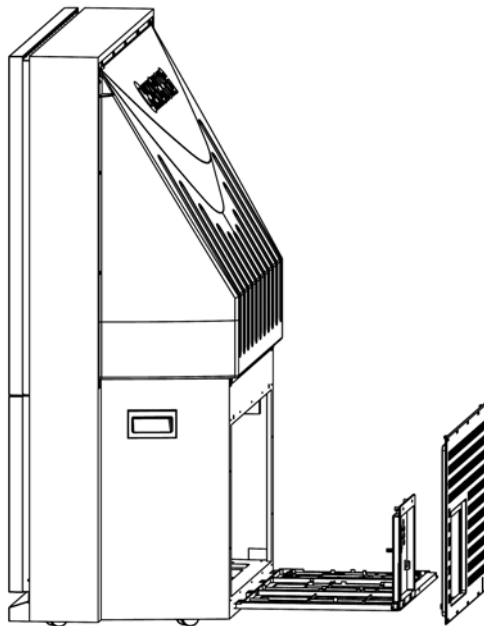


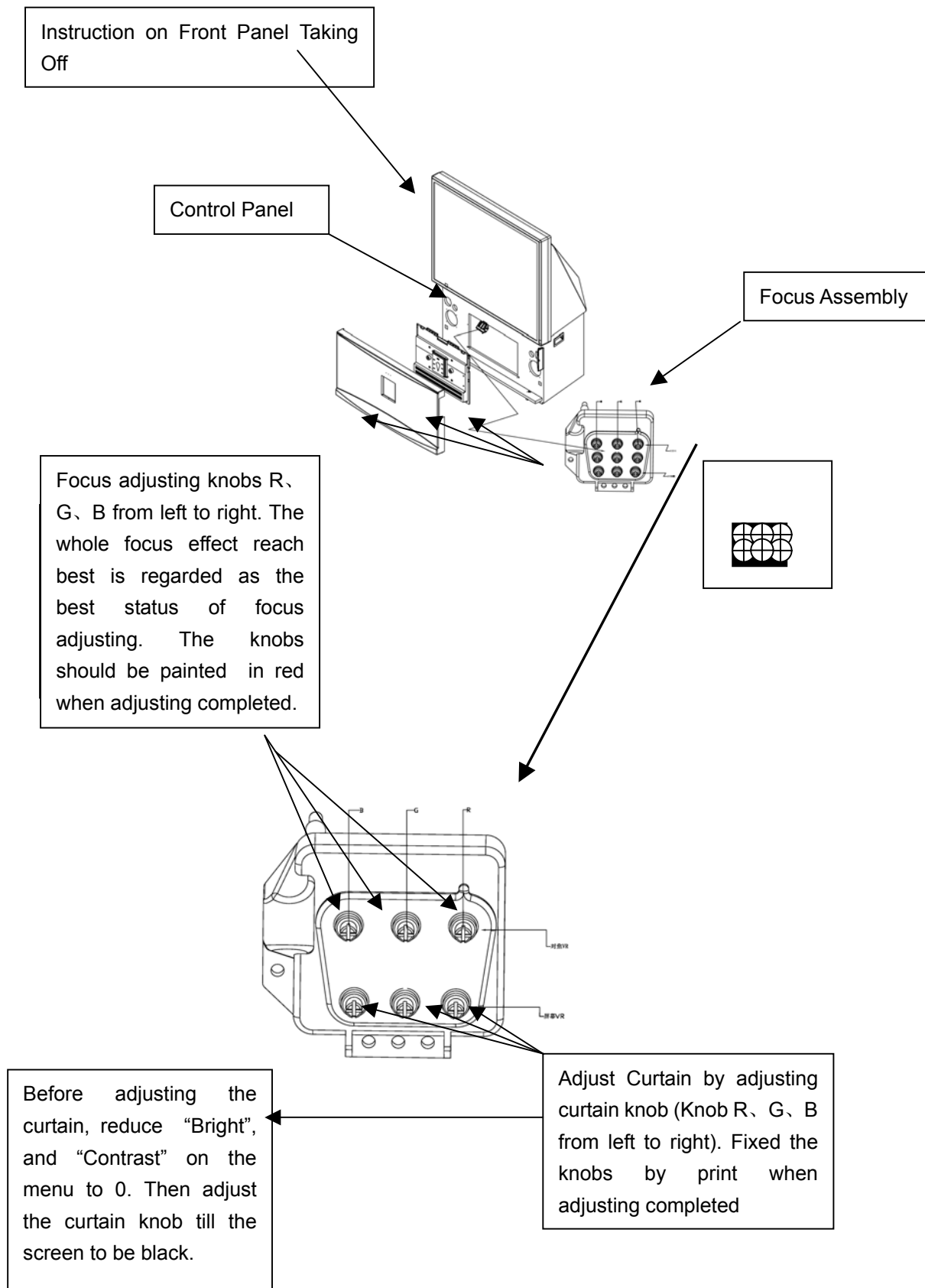
Repairing Disassembling

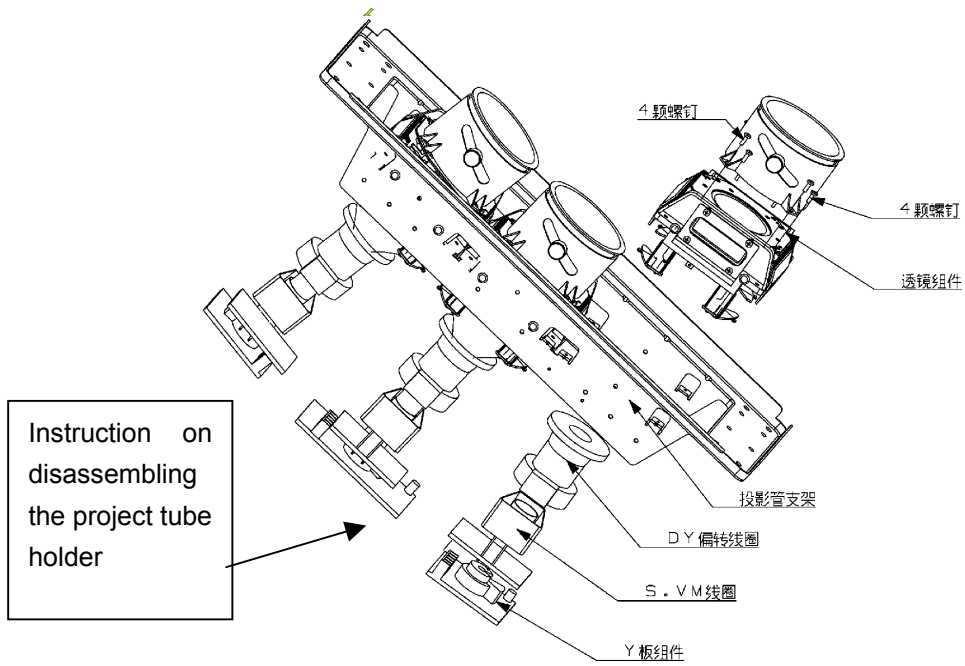
This outlook chart is for reference only. The real outlook is subject to the actual machine.



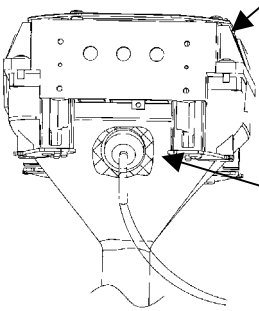
Before repairing the chassis bottom board, please release the screw, which fixed the back cover, take off the back cover, then release the screw, which fixed the plastic cabinet of the chassis board (If not under power-on repairing, some plugs may be pulled out). After drag the chassis board a little bit out, you can start checking and testing.



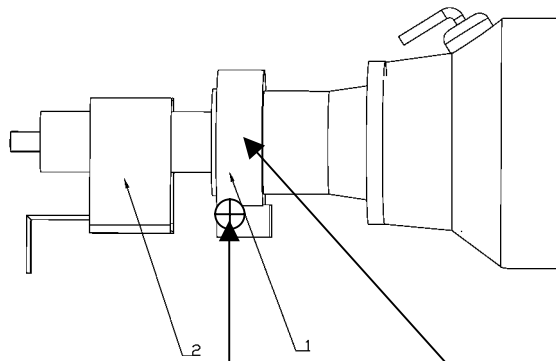
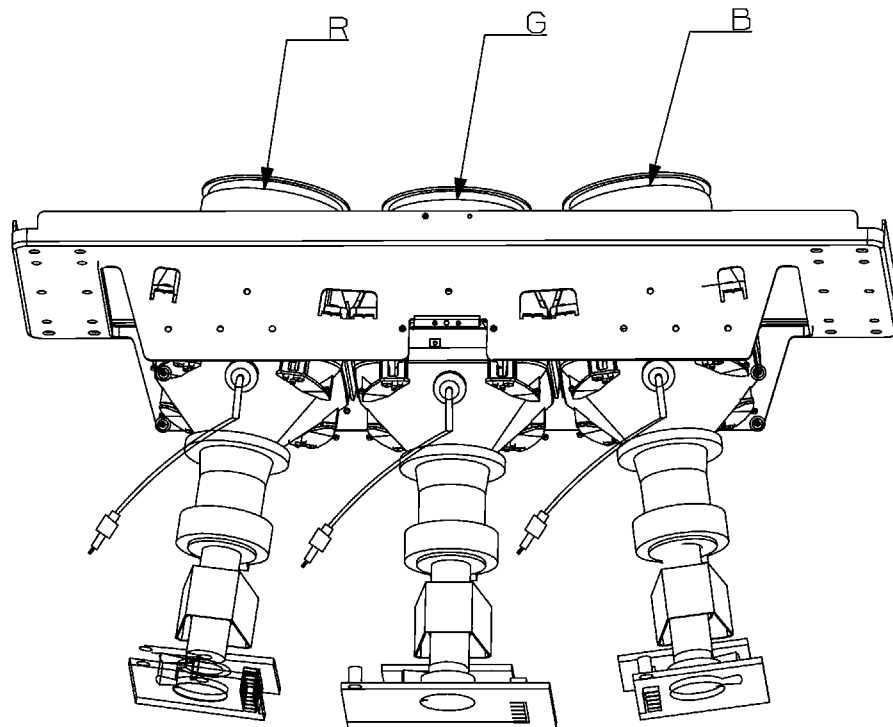




Cooling juice inside of the Cooling tube. The cooling tube should be kept on properly sealed after replacing the cooling juice.



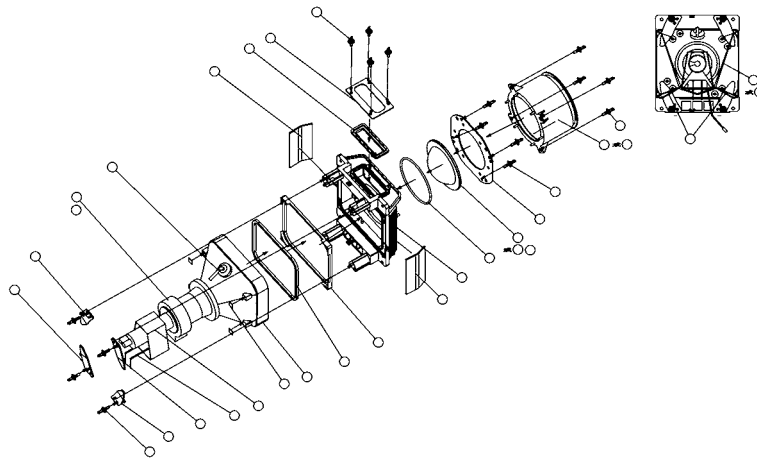
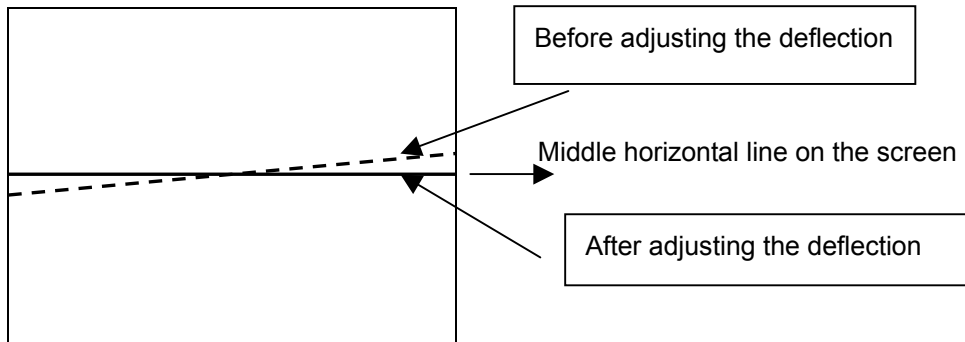
High-voltage cap sealing. The silicon rubber should be kept in wholly sealed and isolated to protect the high-voltage from leaking.



Fix the deflected screw:
Anticlockwise Revolving: Releasing
Clockwise Revolving: Tighten

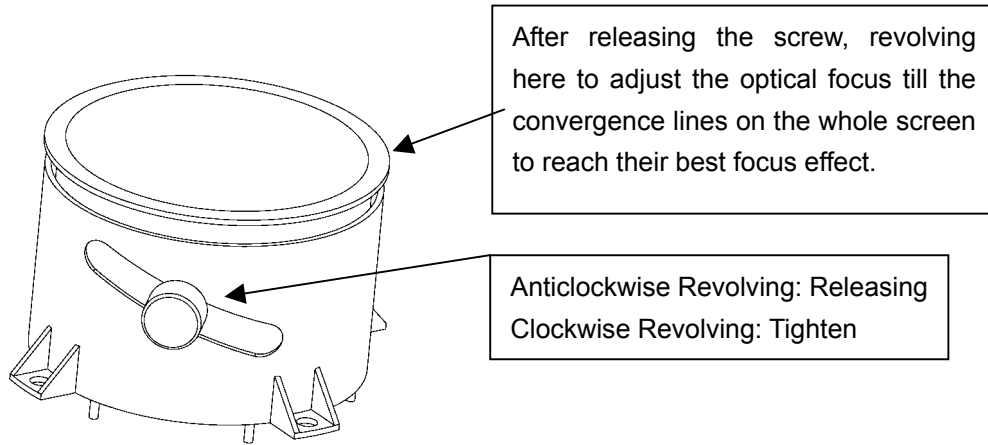
Deflected Coil. Revolving the deflection after releasing the screw by magnetism-free screwdriver will adjust the picture quality (Better under colorful test card).
As shown in the follow chart

Need to re-adjust the deflected coil to the normal quality of the picture after replacing the project tube or deflected coil, etc. (As shown in the follow chart)

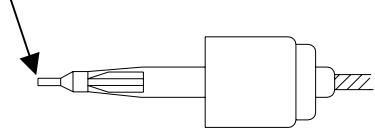


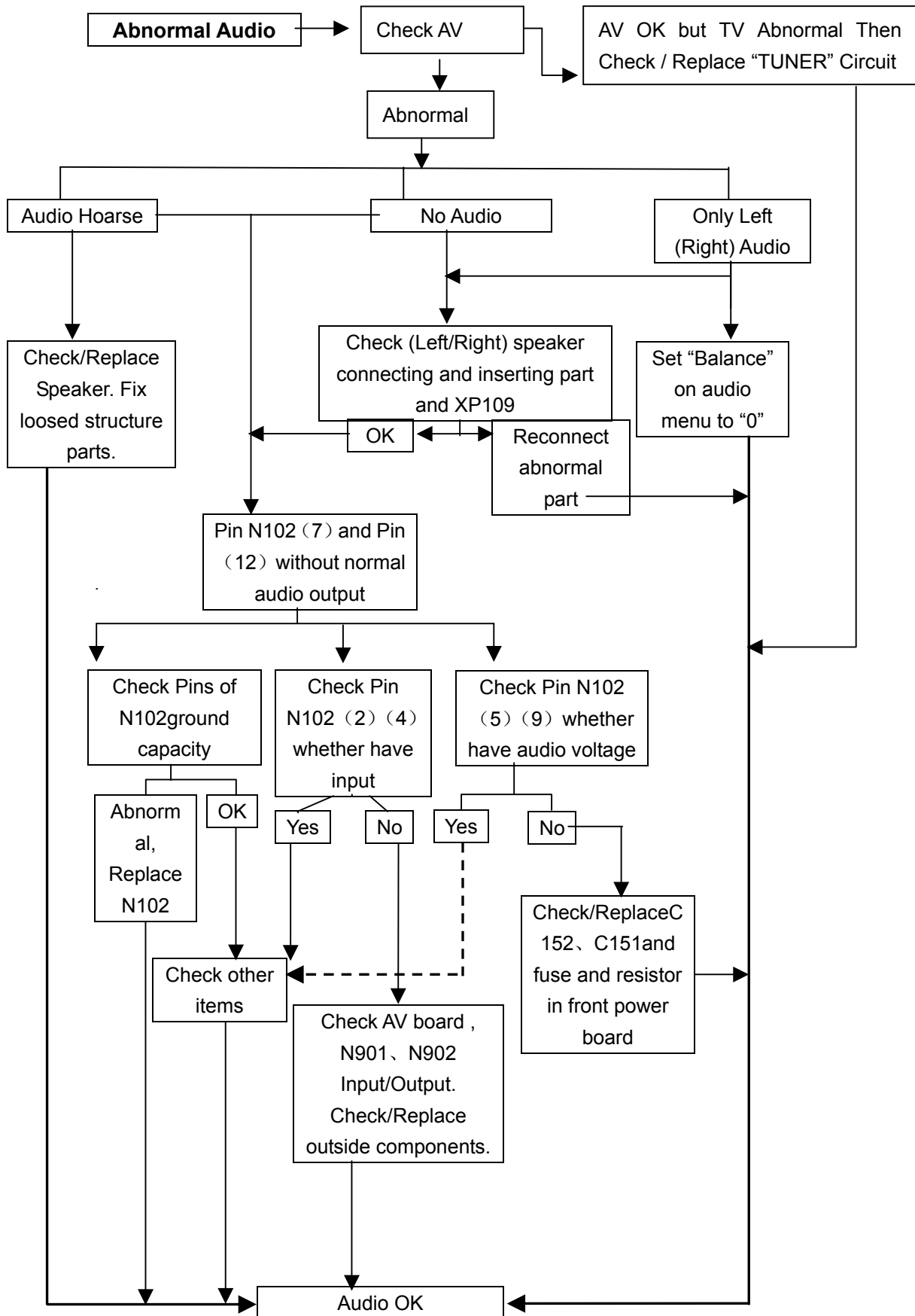
Exploded view on the assembly of the project tube

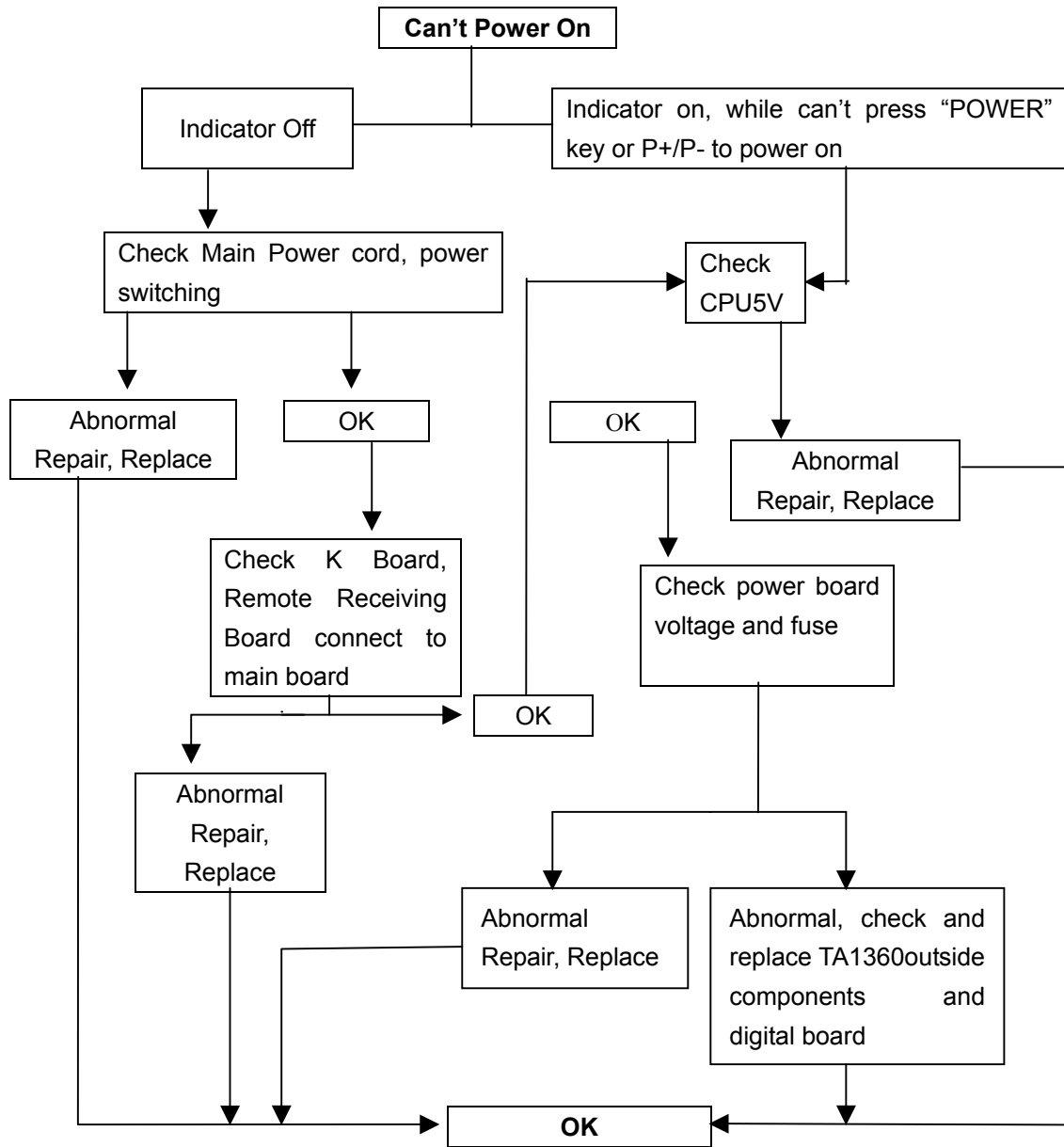
Most of the components of the whole assembly are all precision displaying apparatus and their surface or inside should be kept away from the any hard project. Or the picture quality will be affected.



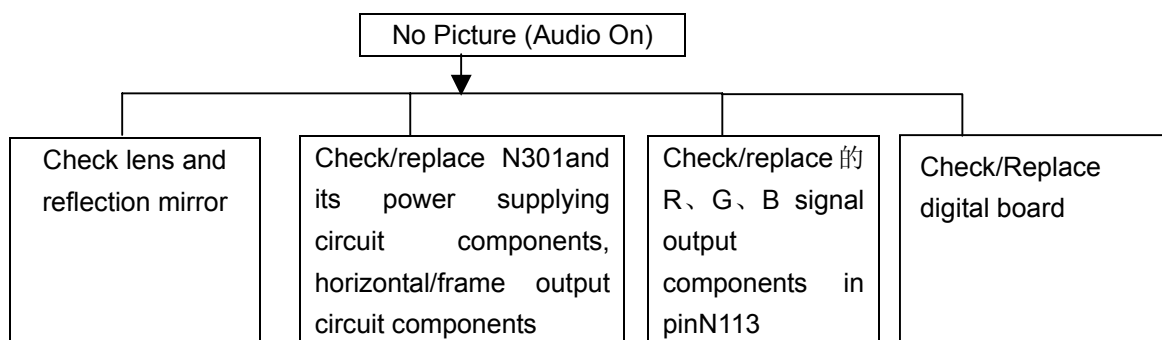
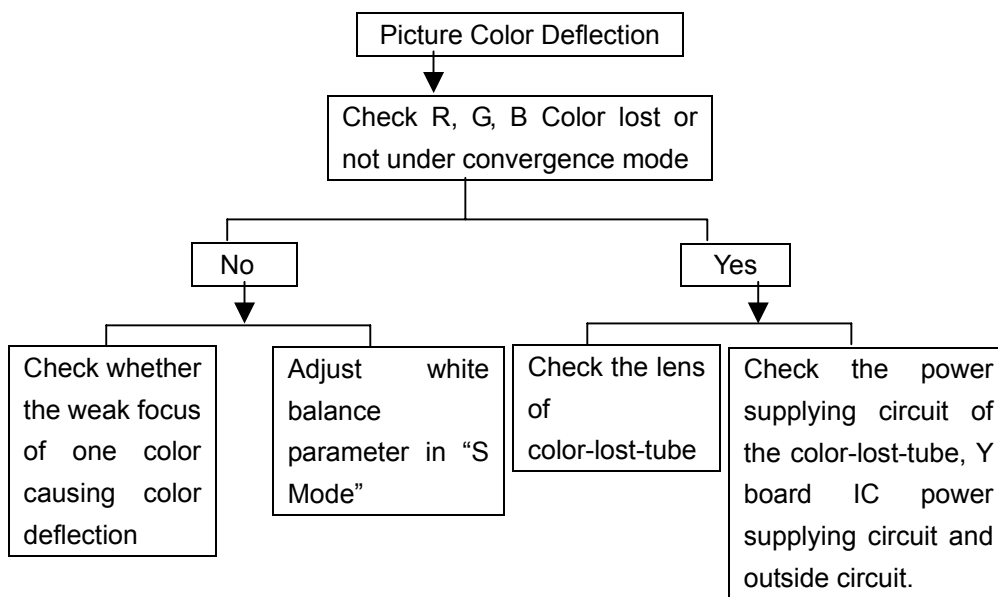
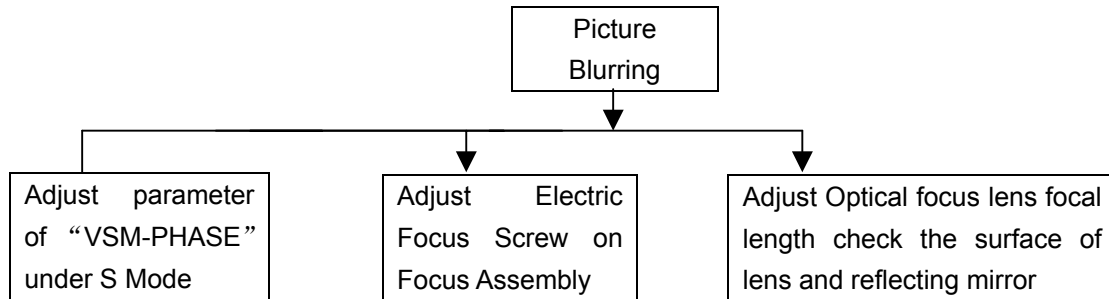
Make sure the metal part is straight when inserting the plug into the high0-voltage covering barrel.

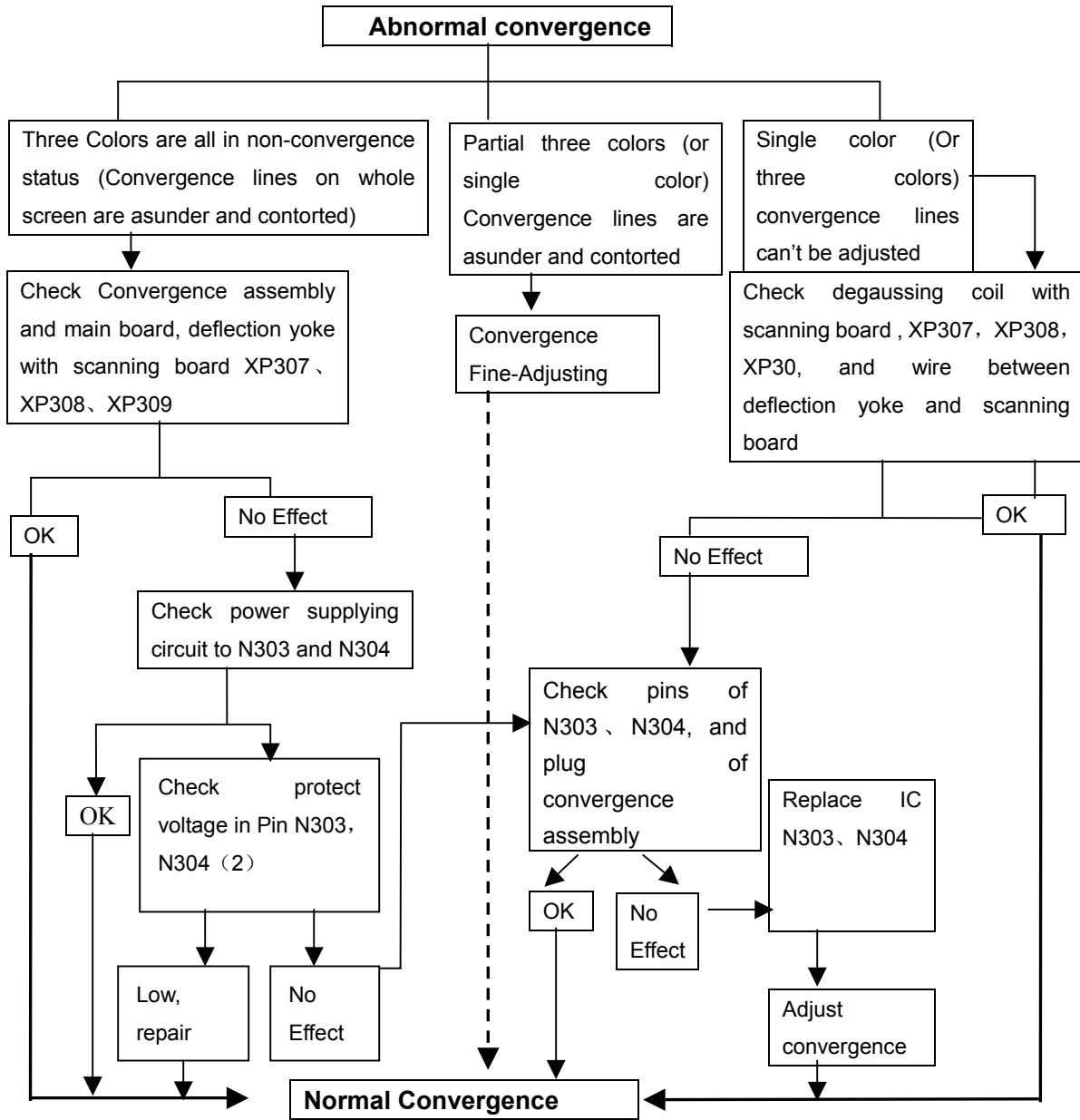


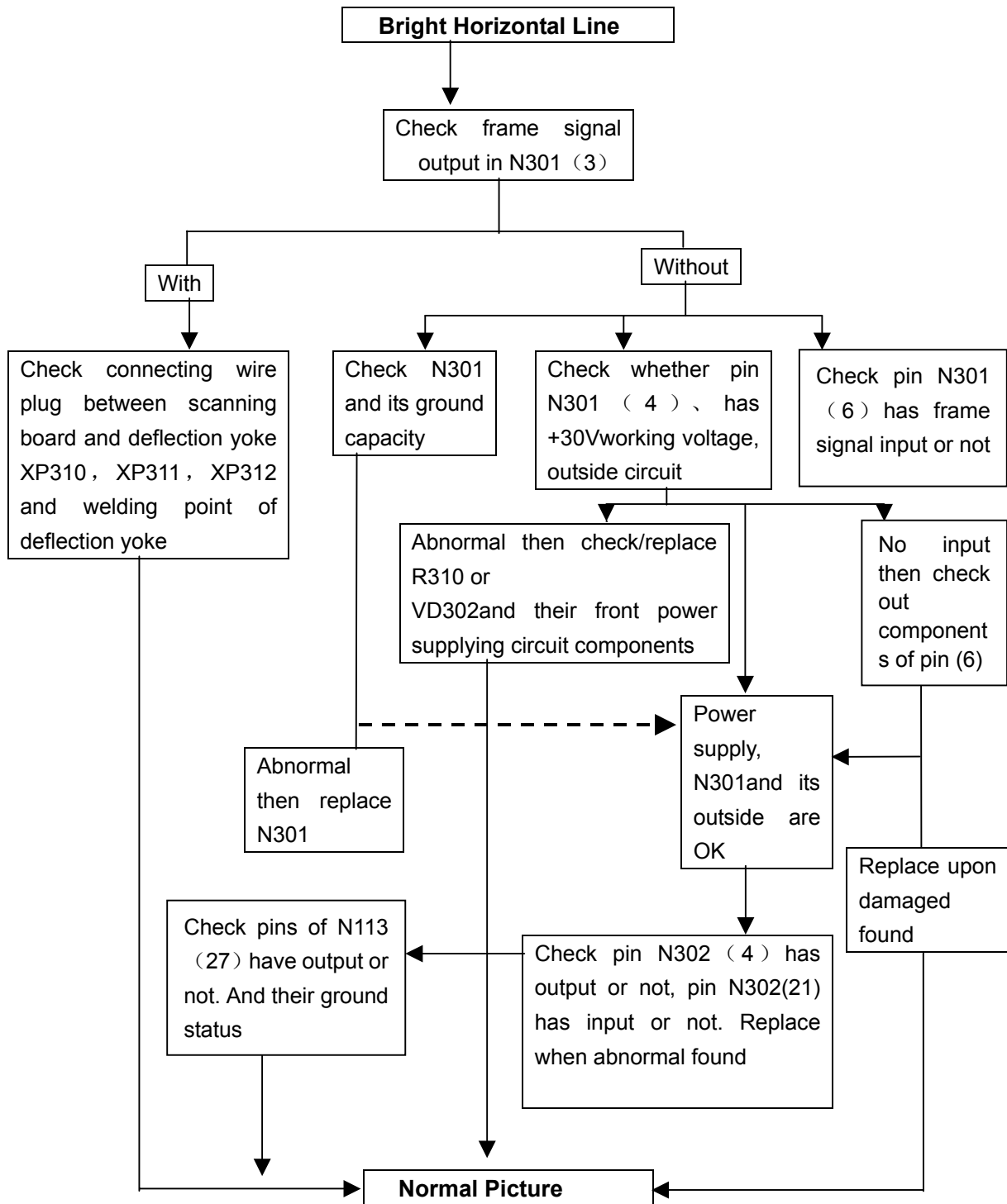




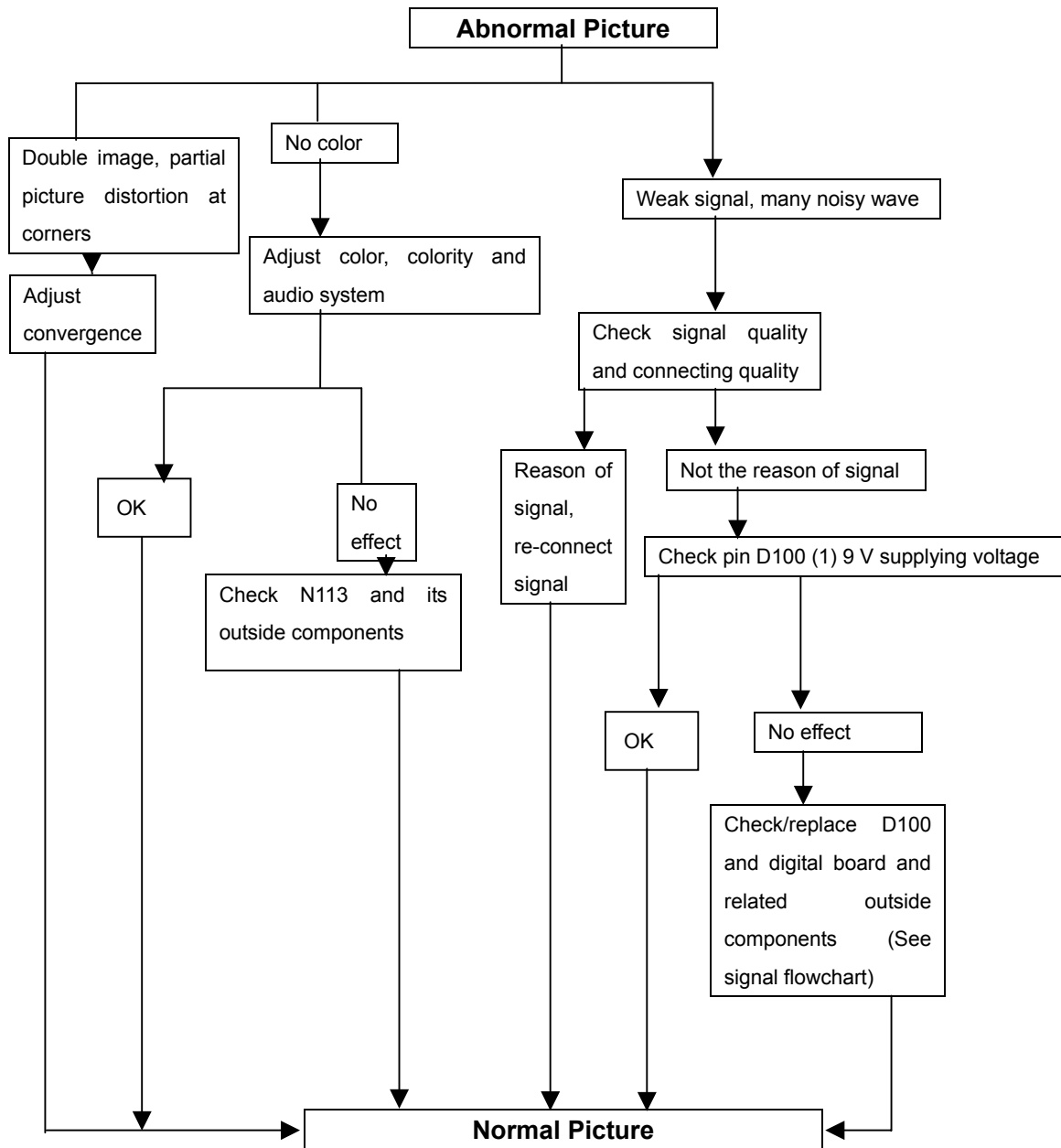
Typical Troubleshooting Flowchart







● Detailed operation and attention reference to other related parts of this service manual.



● Detailed operation and attention reference to other related parts of this service manual.

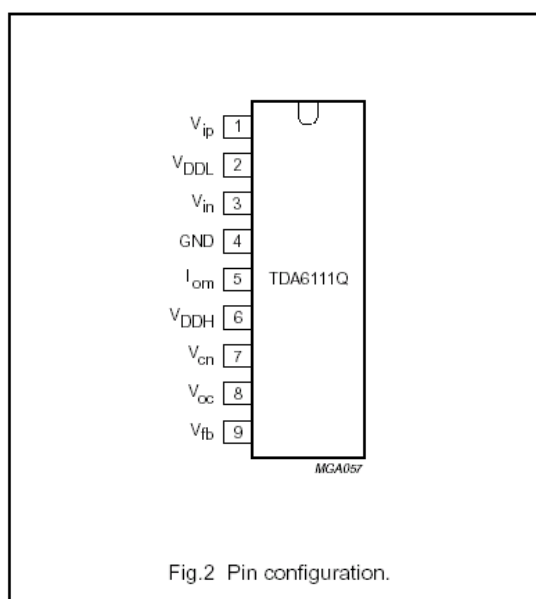
Key IC Pin Definition and Electric Performance Parameter

TDA6111Q

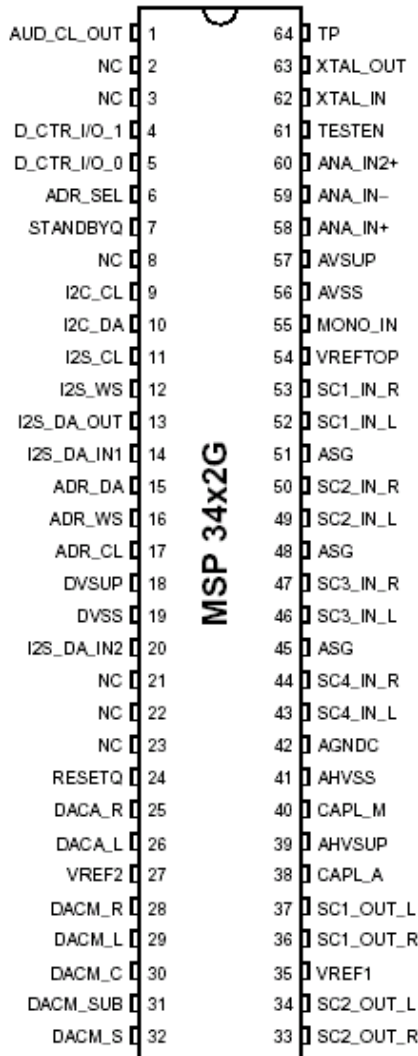
The TDA6111Q is a video output amplifier with 16 MHz bandwidth. The device is contained in a single in-line 9-pin medium power (DBS9MPF) package, using high-voltage DMOS technology, intended to drive the cathode of a colour CRT.

PINNING

SYMBOL	PIN	DESCRIPTION
V_{ip}	1	non-inverting voltage input
V_{DDL}	2	supply voltage LOW
V_{in}	3	inverting voltage input
GND	4	ground, substrate
I_{om}	5	black current measurement output
V_{DDH}	6	supply voltage HIGH
V_{cn}	7	cathode transient voltage output
V_{oc}	8	cathode DC voltage output
V_{fb}	9	feedback voltage output



MSP3413



MSP 34x3G Multistandard Sound Processor Family

The Multistandard Sound Processor family MSP 34x3G covers all sound processing functions of the MSP 34x0G

family. In addition, the MSP 34x3G family offers the Micronas Surround Sound features.

- The above-mentioned functions and features are implemented in the same manner as in the MSP 34x2G.
- The MSP 34x2G data sheet is also valid for the MSP 34x3G except for the differences shown below.

Differences between the MSP 34x3G and the MSP 34x2G:

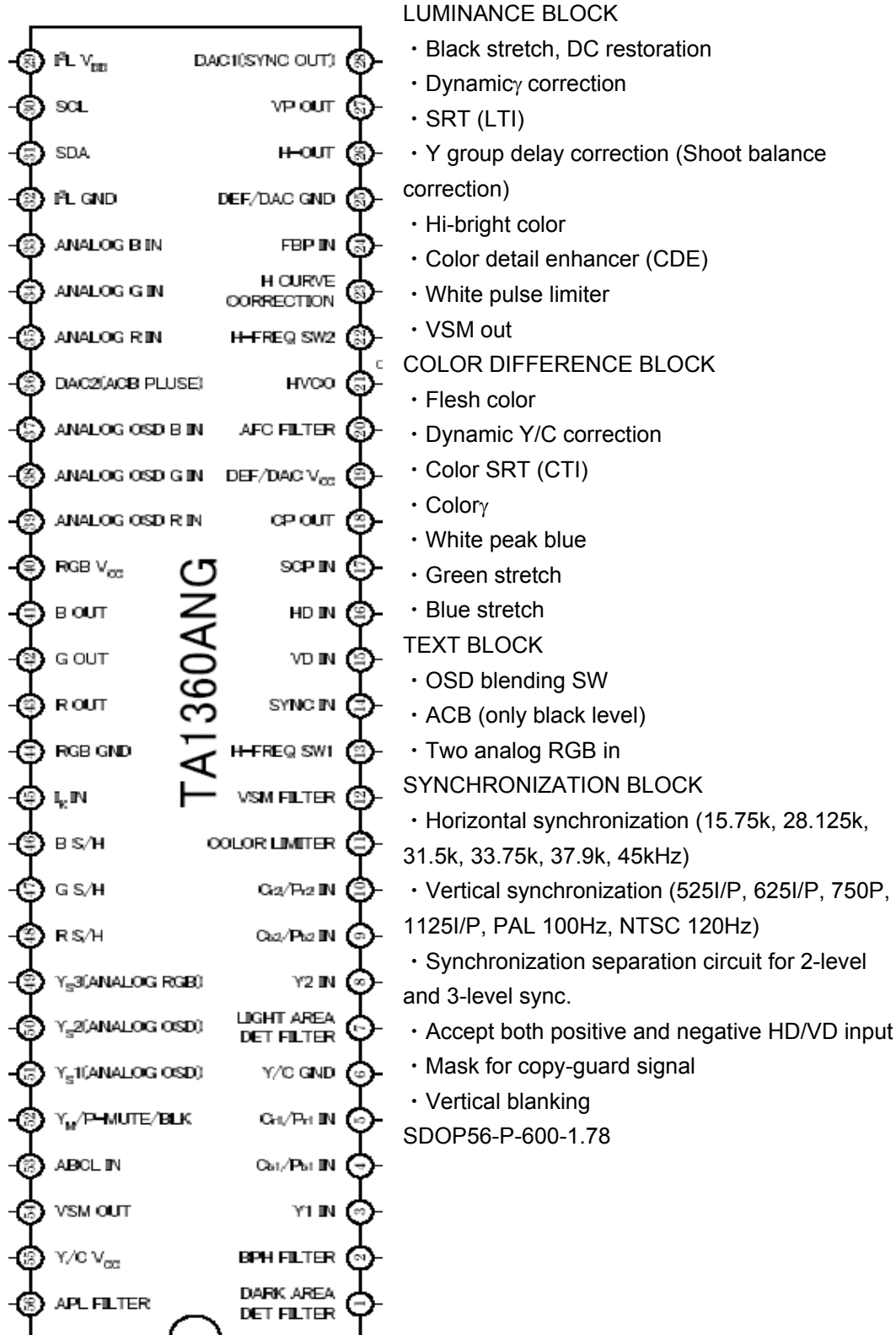
Decoder Matrix in the Surround Processing Mode:

In the MSP 34x3G, only the passive matrix is available, whereas the MSP 34x2G also offers the adaptive matrix,

which is necessary for Dolby Pro Logic modes. As a result, only the Micronas Surround Sound modes can be activated in MSP 34x3G.

The following tables of the MSP 34x2G data sheet have been changed to reflect these differences and apply only to the MSP 34x3G.

TA1360ANG
FEATURES



LUMINANCE BLOCK

- Black stretch, DC restoration
- Dynamic correction
- SRT (LTI)
- Y group delay correction (Shoot balance correction)
- Hi-bright color
- Color detail enhancer (CDE)
- White pulse limiter
- VSM out

COLOR DIFFERENCE BLOCK

- Flesh color
- Dynamic Y/C correction
- Color SRT (CTI)
- Color_γ
- White peak blue
- Green stretch
- Blue stretch

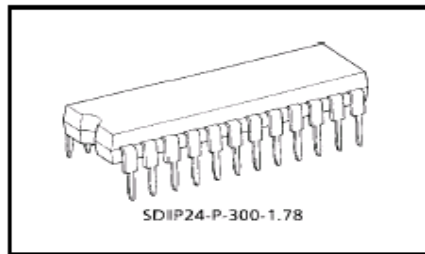
TEXT BLOCK

- OSD blending SW
- ACB (only black level)
- Two analog RGB in

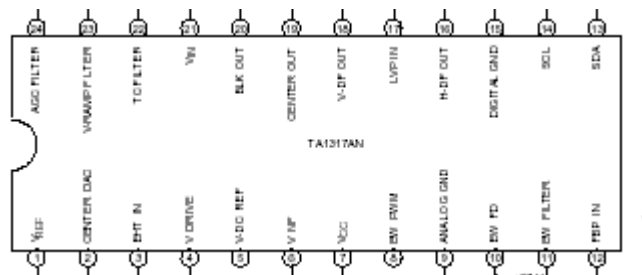
SYNCHRONIZATION BLOCK

- Horizontal synchronization (15.75k, 28.125k, 31.5k, 33.75k, 37.9k, 45kHz)
 - Vertical synchronization (525I/P, 625I/P, 750P, 1125I/P, PAL 100Hz, NTSC 120Hz)
 - Synchronization separation circuit for 2-level and 3-level sync.
 - Accept both positive and negative HD/VD input
 - Mask for copy-guard signal
 - Vertical blanking
- SDOP56-P-600-1.78

TA1317AN is a deflection processor IC for a large and wide picture tube. TA1317AN incorporates EW, vertical distortion correction circuit and dynamic focus correction circuit. .



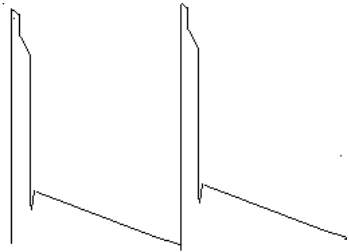
Weight: 1.22 g (typ.)



Features

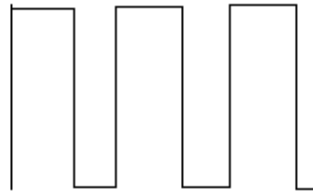
- . Vertical drive (AC/DC-coupling)
- . Picture height adjustment
- . Vertical shift adjustment
- . Vertical symmetry correction
- . Vertical linearity correction
- . Vertical S correction
- . Vertical integral correction
- . Vertical/Horizontal EHT compensation
- . EW drive (parabola/PWM output)
- . Picture width
- . EW trapezium correction
- . EW parabola correction
- . EW corner correction (top only/bottom only/ top & bottom)
- . EW S correction
- . Center curve correction (SAW/PAR)
- . Parabola output for horizontal and vertical dynamic focus (H/V output independently)
- . Horizontal and vertical dynamic focus phase adjustment
- . Horizontal and vertical dynamic focus amplitude adjustment
- . Horizontal dynamic focus curve characteristic adjustment
- . V-ramp limiter circuit
- . Analog blanking output

Key-Point Wave Form Chart



TA1360(27) Leg

Vp-p = 5.75V
 Vrms = 5.00 V
 Vavg = 5.40 V



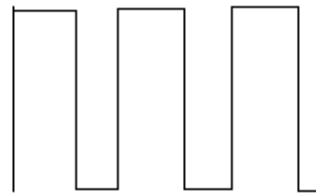
TA1360(26) Leg

Vp-p = 1.6V
 Vrms = 0.83 V
 Vavg = 1.12 V



V307 C Pole

Vp-p = 19.8 V
 Vrms = 30.8V
 Vavg = 3.0 V



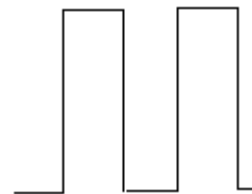
TA1317(11) Leg

Vp-p = 34.5V
 Vrms = 2.25V
 Vavg = 4.12V



C337、C338 Connecting Point

Vp-p = 127 V
 Vrms = 43.8V
 Vavg = 26.5 V



TA1317 (5) Leg

Vp-p = 9.31V
 Vrms = 9.08V
 Vavg = 8.59V

Key-Point Wave Form Chart (Continued from previous Page):



TA1360ANG (41) (42) (43) Leg

(The wave form of each leg will be a little bit different from the signal)

Vp-p = 4.38 V

Vrms = 4.20V

Vavg = 3.05V

Pins DC Level of Key IC on normal working

Unit: V

1. TA1360

Pin	1	2	3	4	5	6	7	8	9	10	11	12	13	14
Voltage	0.32	4.29	4.83	4.83	4.83	0	0.75	5.04	4.83	4.85	6.68	7.43	0	1.99
Pin	15	16	17	18	19	20	21	22	23	24	25	26	27	28
Voltage	0	0.45	0	0.13	8.79	6.36	5.2	5.8	2.41	0.93	0	0.78	4.78	0
Pin	29	30	31	32	33	34	35	36	37	38	39	40	41	42
Voltage	2.16	3	2.92	0	3.8	3.8	3.8	0	3.78	3.77	3.77	8.71	2.89	2.92
Pin	43	44	45	46	47	48	49	50	51	52	53	54	55	56
Voltage	3	0	8.74	5	4.5	5.3	0	0	0	0	6.19	4.18	8.7	5.27

1. LA7846N

Pin	1	2	3	4	5	6	7	8
Voltage	0	0	16.2	31.8	2	2	31.3	2.4
Pin	9	10						
Voltage	0	0						

1. TDA6111Q

Pin	1	2	3	4	5	6	7	8	9
Voltage	0	11.9	0	0	9.2	207	116	118	11.5

4. TA1317N

Pin	1	2	3	4	5	6	7	8	9	10	11	12
Voltage	4.9	2.3	5.9	1.6	4.9	4.9	8.7	0	0	2.3	2.0	1.9
Pin	13	14	15	16	17	18	19	20	21	22	23	24
Voltage	2.7	2.8	0	3.6	3.2	3.5	4.3	3.8	4.8	3.8	4.0	3.6

Pins of Key IC Power On Resistance

Unit: K Ω

1. TA1360

Pin	1	2	3	4	5	6	7	8	9	10	11	12	13	14
Resistance	98.5	∞	∞	∞	∞	0	9.81	∞	∞	∞	∞	1.4	0	∞
Capacity														
Pin	15	16	17	18	19	20	21	22	23	24	25	26	27	28
Resistance	46	51	49.9	5.3	1.2	99.5	∞	1.2	19.2	26.9	0	2.3	∞	∞
Capacity														
Pin	29	30	31	32	33	34	35	36	37	38	39	40	41	42
Resistance	1.5	6.3	6.3	0	∞	∞	∞	∞	∞	∞	∞	0.4	∞	∞
Capacity														
Pin	43	44	45	46	47	48	49	50	51	52	53	54	55	56
Resistance	∞	0	0.4	∞	∞	0.5	24.4	25.4	88.7	∞	∞	∞	0.4	7.92
Capacity														

1. MSP3413

Pin	1	2	3	4	5	6	7	8	9	10	11	12	13
Resistance	∞	∞	∞	∞	∞	1.2	∞	1.9	3.6	6.0	∞	∞	∞
Capacity													
Pin	14	15	16	17	18	19	20	21	22	23	24	25	26
Resistance	∞	∞	∞	1.2	0	0	∞	∞	∞	∞	5.1	3.3	3.3
Capacity													
Pin	27	28	29	30	31	32	33	34	35	36	37	38	39
Resistance	0	3.3	3.3	3.3	3.4	3.4	∞	∞	0	∞	∞	∞	0.4
Capacity													
Pin	40	41	42	43	44	45	46	47	48	49	50	51	52
Resistance	∞	0	∞	∞	∞	0	∞	∞	0	∞	∞	0	∞
Capacity													
Pin	53	54	55	56	57	58	59	60	61	62	63	64	
Resistance	∞	1.5	∞	0	1.2	∞	∞	∞	0	∞	∞	∞	
Capacity													

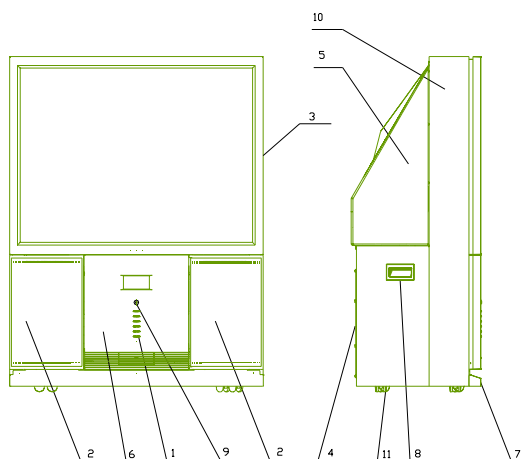
5. TA1317N

Pin	1	2	3	4	5	6	7	8	9	10	11	12
Resistance	59.8	4.6	100	3.1	4.7	14.2	1.2	∞	0	5.5	46.8	32
Capacity												
Pin	13	14	15	16	17	18	19	20	21	22	23	24
Resistance	5.8	6.1	∞	24.3	22.5	∞	23.2	∞	∞	14.8	∞	∞
Capacity												

6. TDA6111Q

Pin	1	2	3	4	5	6	7	8	9
Resistance	∞	∞	∞	∞	∞	2	∞	∞	67.9
Capacity									

Structure List



Mechanic Replacing Parts List

Number	Part Code	Part Name	Number	Part Code	Part Name
	3X12VwAHCh	Self Screw		JUT8.078.001	Upper reflection holder (Left)
	4X16BAHCh	Self Screw		JUT8.078.002	Upper reflection holder (Right)
	4X16HwAHO	6-corners wood screw	5	JUT8.080.002	Back cover
	60mmX50m	Water-free Belt	6	JUT8.081.006	Front panel
	D240.ABU	Lens	7	JUT8.081.008	Down decorated panel
	D250G.RCT	Lens Chip		JUT8.088.019	Anti-dust cover
	JU6.152.272	Tube assembly R	8	JUT8.089.002	Carrying on box
	JU6.152.273	Tube assembly B	9	JUT8.337.003	Power button
	JU6.152.277	Tube assembly G	10	JUT8.733.137	Cabinet
	JU8.078.148	Upper Reflection Mirror Holder (Left)		JUT8.733.150	Front cover panel
	JU8.078.149	Upper Reflection Mirror Holder (Right)	11	JUY4.205.002	W-1 Multi-ways wheel
	JUC5.834.072	Speaker Assembly A		HR94SC/43	Reflection Wheel
	JUC5.834.073	Speaker Assembly B		T/JU8.089.013	Plastic handle of carton box
	JUC5.834.074	Speaker Assembly C			

PE-5 Chassis Service Manual

1	JUC8.337.064	6 Buttons		JUT7.374.043	Corner connector
	JUP8.840.049	Out package plastic bag		JUT8.048.007	Reflection mirror connector
	JUP8.840.050	Machine Package bag		JUT8.048.008	Screen cabinet connector
	JUP8.846.910/9 11	Upper Holder (Left/right)		JUT8.048.074	Corner connector (Down)
	JUP8.846.912/9 13	Down Holder (Left/right)		JUT8.048.075	Corner connector (Upper)
	JUP8.864.078	Paper-made steel supporting column		JUT8.048.081	Down round cabinet
	JUP8.864.079	Paper-made corner steel cabinet		JUT8.048.083	Side round cabinet
	JUP8.865.218	Paper board		JUT8.048.086	Upper connector
	JUP6.876.434	Body box		JUT8.048.195	Upper round cabinet
	JUP6.876.435	Bottom box	4	JUT8.074.005	Chassis back cover
2	JUT6.116.114	Speaker cover Assembly		JUT8.077.022	Chassis cabinet
3	JUT6.116.302	Screen cabinet assembly		JUT8.077.028	Rear terminals board
	JUT6.152.026	Tube holder assembly			

Parts List

1. Part on Sensor Processing PCB

POSITION	NAME	TYPE
R138	carbon film resi	RT13-0.166W-2.2 Ω J
R149	carbon film resi	RT13-0.166W-2.2 Ω J
R282	carbon film resi	RT13-0.166W-33 Ω J
R140	carbon film resi	RT13-0.166W-33 Ω J
R119	carbon film resi	RT13-0.166W-47 Ω J
R143	carbon film resi	RT13-0.166W-47 Ω J
R178A	carbon film resi	RT13-0.166W-75 Ω J
R228	carbon film resi	RT13-0.166W-75 Ω J
R229	carbon film resi	RT13-0.166W-75 Ω J
R111	carbon film resi	RT13-0.166W-100 Ω J
R112	carbon film resi	RT13-0.166W-100 Ω J
R113	carbon film resi	RT13-0.166W-100 Ω J
R117	carbon film resi	RT13-0.166W-100 Ω J
R123	carbon film resi	RT13-0.166W-100 Ω J
R125	carbon film resi	RT13-0.166W-100 Ω J
R127	carbon film resi	RT13-0.166W-100 Ω J
R144A	carbon film resi	RT13-0.166W-100 Ω J
R159	carbon film resi	RT13-0.166W-100 Ω J
R169	carbon film resi	RT13-0.166W-100 Ω J
R170	carbon film resi	RT13-0.166W-100 Ω J
R171	carbon film resi	RT13-0.166W-100 Ω J
R173	carbon film resi	RT13-0.166W-100 Ω J
R174	carbon film resi	RT13-0.166W-100 Ω J
R177	carbon film resi	RT13-0.166W-100 Ω J
R178	carbon film resi	RT13-0.166W-100 Ω J
R179	carbon film resi	RT13-0.166W-100 Ω J
R180	carbon film resi	RT13-0.166W-100 Ω J
R181	carbon film resi	RT13-0.166W-100 Ω J
R182	carbon film resi	RT13-0.166W-100 Ω J
R183	carbon film resi	RT13-0.166W-100 Ω J
R183	carbon film resi	RT13-0.166W-100 Ω J
R190	carbon film resi	RT13-0.166W-100 Ω J
R191	carbon film resi	RT13-0.166W-100 Ω J
R193	carbon film resi	RT13-0.166W-100 Ω J
R194	carbon film resi	RT13-0.166W-100 Ω J
R195	carbon film resi	RT13-0.166W-100 Ω J
R196	carbon film resi	RT13-0.166W-100 Ω J
R197	carbon film resi	RT13-0.166W-100 Ω J
R198	carbon film resi	RT13-0.166W-100 Ω J
R199	carbon film resi	RT13-0.166W-100 Ω J
R200	carbon film resi	RT13-0.166W-100 Ω J

POSITION	NAME	TYPE
R201	carbon film resi	RT13-0.166W-100 Ω J
R202	carbon film resi	RT13-0.166W-100 Ω J
R203	carbon film resi	RT13-0.166W-100 Ω J
R231	carbon film resi	RT13-0.166W-100 Ω J
R238	carbon film resi	RT13-0.166W-100 Ω J
R240	carbon film resi	RT13-0.166W-100 Ω J
R258	carbon film resi	RT13-0.166W-100 Ω J
R259	carbon film resi	RT13-0.166W-100 Ω J
R272	carbon film resi	RT13-0.166W-100 Ω J
R273	carbon film resi	RT13-0.166W-100 Ω J
R279	carbon film resi	RT13-0.166W-100 Ω J
R280	carbon film resi	RT13-0.166W-100 Ω J
R281	carbon film resi	RT13-0.166W-100 Ω J
R295	carbon film resi	RT13-0.166W-100 Ω J
W121	carbon film resi	RT13-0.166W-100 Ω J
R148	carbon film resi	RT13-0.166W-150 Ω J
R153	carbon film resi	RT13-0.166W-200 Ω J
R153A	carbon film resi	RT13-0.166W-200 Ω J
R262	carbon film resi	RT13-0.166W-220 Ω J
R277	carbon film resi	RT13-0.166W-240 Ω J
R122	carbon film resi	RT13-0.166W-330 Ω J
R150	carbon film resi	RT13-0.166W-330 Ω J
R235	carbon film resi	RT13-0.166W-330 Ω J
R236	carbon film resi	RT13-0.166W-330 Ω J
R237	carbon film resi	RT13-0.166W-330 Ω J
R118	carbon film resi	RT13-0.166W-470 Ω J
R118A	carbon film resi	RT13-0.166W-470 Ω J
R133	carbon film resi	RT13-0.166W-470 Ω J
R139	carbon film resi	RT13-0.166W-470 Ω J
R139A	carbon film resi	RT13-0.166W-470 Ω J
R218	carbon film resi	RT13-0.166W-470 Ω J
R219	carbon film resi	RT13-0.166W-470 Ω J
R220	carbon film resi	RT13-0.166W-470 Ω J
R221	carbon film resi	RT13-0.166W-470 Ω J
R222	carbon film resi	RT13-0.166W-470 Ω J
R246	carbon film resi	RT13-0.166W-470 Ω J
R247	carbon film resi	RT13-0.166W-470 Ω J
R286	carbon film resi	RT13-0.166W-470 Ω J
R189	carbon film resi	RT13-0.166W-360 Ω J
R248	carbon film resi	RT13-0.166W-560 Ω J
R278	carbon film resi	RT13-0.166W-680 Ω J
R276	carbon film resi	RT13-0.166W-680 Ω J
R137	carbon film resi	RT13-0.166W-1K Ω J
R243	carbon film resi	RT13-0.166W-1K Ω J
R244	carbon film resi	RT13-0.166W-1K Ω J

POSITION	NAME	TYPE
R245	carbon film resi	RT13-0.166W-1K Ω J
R250	carbon film resi	RT13-0.166W-1K Ω J
R251	carbon film resi	RT13-0.166W-1K Ω J
R252	carbon film resi	RT13-0.166W-1K Ω J
R253	carbon film resi	RT13-0.166W-1K Ω J
R294	carbon film resi	RT13-0.166W-1K Ω J
R290	carbon film resi	RT13-0.166W-1K Ω J
R293	carbon film resi	RT13-0.166W-1K Ω J
R256	carbon film resi	RT13-0.166W-1.5K Ω J
R151	carbon film resi	RT13-0.166W-1.5K Ω J
R206	carbon film resi	RT13-0.166W-1.5K Ω J
R254	carbon film resi	RT13-0.166W-1.5K Ω J
R255	carbon film resi	RT13-0.166W-1.5K Ω J
R129	carbon film resi	RT13-0.166W-1.8K Ω J
R134	carbon film resi	RT13-0.166W-1.8K Ω J
R291	carbon film resi	RT13-0.166W-2K Ω J
R147	carbon film resi	RT13-0.166W-2K Ω J
R230	carbon film resi	RT13-0.166W-2.2K Ω J
R289	carbon film resi	RT13-0.166W-3K Ω J
R130	carbon film resi	RT13-0.166W-3.9K Ω J
R135	carbon film resi	RT13-0.166W-3.9K Ω J
R154	carbon film resi	RT13-0.166W-4.7K Ω J
R155	carbon film resi	RT13-0.166W-4.7K Ω J
R157	carbon film resi	RT13-0.166W-4.7K Ω J
R161	carbon film resi	RT13-0.166W-4.7K Ω J
R163	carbon film resi	RT13-0.166W-4.7K Ω J
R165	carbon film resi	RT13-0.166W-4.7K Ω J
R166	carbon film resi	RT13-0.166W-4.7K Ω J
R167	carbon film resi	RT13-0.166W-4.7K Ω J
R204	carbon film resi	RT13-0.166W-4.7K Ω J
R205	carbon film resi	RT13-0.166W-4.7K Ω J
R207	carbon film resi	RT13-0.166W-4.7K Ω J
R208	carbon film resi	RT13-0.166W-4.7K Ω J
R209	carbon film resi	RT13-0.166W-4.7K Ω J
R210	carbon film resi	RT13-0.166W-4.7K Ω J
R211	carbon film resi	RT13-0.166W-4.7K Ω J
R212	carbon film resi	RT13-0.166W-4.7K Ω J
R213	carbon film resi	RT13-0.166W-4.7K Ω J
R214	carbon film resi	RT13-0.166W-4.7K Ω J
R214A	carbon film resi	RT13-0.166W-4.7K Ω J
R215	carbon film resi	RT13-0.166W-4.7K Ω J
R216	carbon film resi	RT13-0.166W-4.7K Ω J
R217	carbon film resi	RT13-0.166W-4.7K Ω J
R225	carbon film resi	RT13-0.166W-4.7K Ω J
R226	carbon film resi	RT13-0.166W-4.7K Ω J

POSITION	NAME	TYPE
R232	carbon film resi	RT13-0.166W-4.7K Ω J
R239	carbon film resi	RT13-0.166W-4.7K Ω J
R260	carbon film resi	RT13-0.166W-4.7K Ω J
R261	carbon film resi	RT13-0.166W-4.7K Ω J
R172A	carbon film resi	RT13-0.166W-5.1K Ω G
R175A	carbon film resi	RT13-0.166W-5.1K Ω G
R176A	carbon film resi	RT13-0.166W-5.1K Ω G
R185	carbon film resi	RT13-0.166W-5.6K Ω J
R186	carbon film resi	RT13-0.166W-5.6K Ω J
R187	carbon film resi	RT13-0.166W-5.6K Ω J
R152	carbon film resi	RT13-0.166W-6.8K Ω J
R142	carbon film resi	RT13-0.166W-7.5K Ω J
R275A	carbon film resi	RT13-0.166W-8.2K Ω J
R120	carbon film resi	RT13-0.166W-10K Ω J
R128	carbon film resi	RT13-0.166W-10K Ω J
R132	carbon film resi	RT13-0.166W-10K Ω J
R145	carbon film resi	RT13-0.166W-10K Ω J
R223	carbon film resi	RT13-0.166W-10K Ω J
R284	carbon film resi	RT13-0.166W-10K Ω J
R172	carbon film resi	RT13-0.166W-10K Ω G
R175	carbon film resi	RT13-0.166W-10K Ω G
R176	carbon film resi	RT13-0.166W-10K Ω G
R121	carbon film resi	RT13-0.166W-15K Ω J
R136	carbon film resi	RT13-0.166W-15K Ω J
R146	carbon film resi	RT13-0.166W-15K Ω J
R141	carbon film resi	RT13-0.166W-22K Ω J
R124	carbon film resi	RT13-0.166W-22K Ω J
R131	carbon film resi	RT13-0.166W-22K Ω J
R275	carbon film resi	RT13-0.166W-27K Ω J
R126	carbon film resi	RT13-0.166W-39K Ω J
R292	carbon film resi	RT13-0.166W-56K Ω J
R268	carbon film resi	RT13-0.166W-100K Ω J
R285	carbon film resi	RT13-0.166W-100K Ω J
R269	carbon film resi	RT13-0.166W-1M Ω J
R274	metal oxide film	RY21-0.5W-180 Ω J
R108	metal oxide film	RY21-2W-22K Ω J
R102	metal oxide film	RY21-2W-15 Ω J
R103	metal oxide film	RY21-2W-15 Ω J
R114	metal oxide film	RY21-2W-15 Ω J
R115	metal oxide film	RY21-2W-15 Ω J
R116	Direct fuse	RF10-1W-0.27 Ω J
C173	ceramic capacito	CC1-63V-06a-C-10PFJ
C174	ceramic capacito	CC1-63V-06a-C-10PFJ
C167	ceramic capacito	CC1-63V-06a-C-22PFJ
C169	ceramic capacito	CC1-63V-06a-C-22PFJ

POSITION	NAME	TYPE
C235	ceramic capacitor	CC1-63V-06a-C-22PFJ
C154	ceramic capacitor	CC1-63V-06a-C-27PFJ
C150	ceramic capacitor	CC1-63V-06a-C-33PFJ
C221	ceramic capacitor	CC1-63V-06a-C-47PFJ
C156	ceramic capacitor	CC1-63V-06c-SL-150PFJ
C166	ceramic capacitor	CC1-63V-06c-SL-220PFJ
C178	ceramic capacitor	CT1-63V-06a-2B4-1000PFK
C160	ceramic capacitor	CT1-63V-06a-2B4-1000PFK
C168	ceramic capacitor	CT1-63V-06a-2B4-1000PFK
C139	ceramic capacitor	CT1-63V-06a-2B4-1000PFK
C142	ceramic capacitor	CT1-63V-06a-2B4-1000PFK
C146	ceramic capacitor	CT1-63V-06a-2B4-1000PFK
C177	ceramic capacitor	CT1-63V-06a-2B4-1000PFK
C231	ceramic capacitor	CT1-63V-06a-2B4-1200PFK
C115	ceramic capacitor	CT1-63V-08A-2F4-10nFZ
C119	ceramic capacitor	CT1-63V-08A-2F4-10nFZ
C131	ceramic capacitor	CT1-63V-08A-2F4-10nFZ
C133	ceramic capacitor	CT1-63V-08A-2F4-10nFZ
C136	ceramic capacitor	CT1-63V-08A-2F4-10nFZ
C175	ceramic capacitor	CT1-63V-08A-2F4-10nFZ
C106	polyester film capacitor	CL21X-50V-0.01 μ FJ
C109	polyester film capacitor	CL21X-50V-0.01 μ FJ
C121	polyester film capacitor	CL21X-50V-0.01 μ FJ
C122	polyester film capacitor	CL21X-50V-0.01 μ FJ
C124A	polyester film capacitor	CL21X-50V-0.01Mfi
C124B	polyester film capacitor	CL21X-50V-0.01 μ FJ
C124C	polyester film capacitor	CL21X-50V-0.01 μ FJ
C194	polyester film capacitor	CL21X-50V-0.01 μ FJ
C196	polyester film capacitor	CL21X-50V-0.01 μ FJ
C199	polyester film capacitor	CL21X-50V-0.01 μ FJ
C203	polyester film capacitor	CL21X-50V-0.01 μ FJ
C208	polyester film capacitor	CL21X-50V-0.01 μ FJ
C209	polyester film capacitor	CL21X-50V-0.01 μ FJ
C210	polyester film capacitor	CL21X-50V-0.01 μ FJ
C215	polyester film capacitor	CL21X-50V-0.01 μ FJ
C217	polyester film capacitor	CL21X-50V-0.01 μ FJ
C220	polyester film capacitor	CL21X-50V-0.01 μ FJ
C180	polyester film capacitor	CL21X-50V-0.1 μ FJ
C107A	polyester film capacitor	CL21X-50V-0.1 μ FJ
C107B	polyester film capacitor	CL21X-50V-0.1 μ FJ
C107C	polyester film capacitor	CL21X-50V-0.1 μ FJ
C117	polyester film capacitor	CL21X-50V-0.1 μ FJ
C118	polyester film capacitor	CL21X-50V-0.1 μ FJ
C126A	polyester film capacitor	CL21X-50V-0.1 μ FJ
C129	polyester film capacitor	CL21X-50V-0.1 μ FJ

POSITION	NAME	TYPE
C130	polyster film ca	CL21X-50V-0.1 μ FJ
C137	polyster film ca	CL21X-50V-0.1 μ FJ
C149	polyster film ca	CL21X-50V-0.1 μ FJ
C161	polyster film ca	CL21X-50V-0.1 μ FJ
C171	polyster film ca	CL21X-50V-0.1 μ FJ
C189	polyster film ca	CL21X-50V-0.1 μ FJ
C190	polyster film ca	CL21X-50V-0.1 μ FJ
C191	polyster film ca	CL21X-50V-0.1 μ FJ
C200	polyster film ca	CL21X-50V-0.1 μ FJ
C201	polyster film ca	CL21X-50V-0.1 μ FJ
C202	polyster film ca	CL21X-50V-0.1 μ FJ
C205	polyster film ca	CL21X-50V-0.1 μ FJ
C206	polyster film ca	CL21X-50V-0.1 μ FJ
C207	polyster film ca	CL21X-50V-0.1 μ FJ
C211	polyster film ca	CL21X-50V-0.1 μ FJ
C213A	polyster film ca	CL21X-50V-0.1 μ FJ
C219	polyster film ca	CL21X-50V-0.1 μ FJ
C224	polyster film ca	CL21X-50V-0.1 μ FJ
C225	polyster film ca	CL21X-50V-0.1 μ FJ
C226	polyster film ca	CL21X-50V-0.1 μ FJ
C227	polyster film ca	CL21X-50V-0.1 μ FJ
C232A	polyster film ca	CL21X-50V-0.1 μ FJ
C152	polyster film ca	CL21X-50V-0.1 μ FJ
C157	polyster film ca	CL21X-50V-0.1 μ FJ
C233	polyster film ca	CL21X-50V-0.1 μ FJ
C234	polyster film ca	CL21X-50V-0.1 μ FJ
C186	polyster film ca	CL21X-50V-0.1 μ FJ
C212	polyster film ca	CD21X-50V-0.33 μ FJ
C237	polyster film ca	CD21X-50V-0.47 μ FJ
C164	aluminium electr	CD110X-16V-1 μ FM
C172	aluminium electr	CD110X-16V-1 μ FM
C193	aluminium electr	CD110X-16V-2.2 μ FM
C216	aluminium electr	CD110X-16V-2.2 μ FM
C236	aluminium electr	CD110X-16V-10 μ FM
C213	aluminium electr	CD110X-16V-22 μ FM
C113	aluminium electr	CD110X-16V-47 μ FM
C114	aluminium electr	CD110X-16V-47 μ FM
C125	aluminium electr	CD110X-16V-47 μ FM
C126	aluminium electr	CD110X-16V-47 μ FM
C127	aluminium electr	CD110X-16V-47 μ FM
C128	aluminium electr	CD110X-16V-47 μ FM
C132	aluminium electr	CD110X-16V-47 μ FM
C153	aluminium electr	CD110X-16V-47 μ FM
C159	aluminium electr	CD110X-16V-47 μ FM
C170	aluminium electr	CD110X-16V-47 μ FM

POSITION	NAME	TYPE
C223	aluminium electr	CD110X-16V-47 μ FM
C232	aluminium electr	CD110X-16V-47 μ FM
C214	aluminium electr	CD110X-16V-100 μ FM
C107	aluminium electr	CD110X-16V-100 μ FM
C158	aluminium electr	CD110X-16V-100 μ FM
C204	aluminium electr	CD110X-16V-100 μ FM
C198	aluminium electr	CD110X-16V-220 μ FM
C124	aluminium electr	CD110X-25V-100 μ FM
C111	aluminium electr	CD110X-35V-47 μ FM
C123	aluminium electr	CD110X-35V-47 μ FM
C120	aluminium electr	CD110X-35V-100 μ FM
C187	aluminium electr	CD110X-50V-0.47 μ FM
C192	aluminium electr	CD110X-50V-0.47 μ FM
C140	aluminium electr	CD110X-50V-1 μ FM
C143	aluminium electr	CD110X-50V-1 μ FM
C188	aluminium electr	CD110X-50V-1 μ FM
C218	aluminium electr	CD110X-50V-1 μ FM
C229	aluminium electr	CD110X-50V-1 μ FM
C141	aluminium electr	CD110X-50V-47 μ FM
C135	aluminium electr	CD110X-50V-47 μ FM
C104	aluminium electr	CD110X-50V-100 μ FM
C138	aluminium electr	CD110X-50V-100 μ FM
C144	aluminium electr	CD110X-50V-100 μ FM
C145	aluminium electr	CD110X-50V-100 μ FM
C148	aluminium electr	CD110X-50V-100 μ FM
C151	aluminium electr	CD110X-50V-1000 μ FM
C155	aluminium electr	CD110X-50V-1000 μ FM
C147	aluminium electr	CD110X-50V-1000 μ FM
C176	aluminium electr	CD110X-50V-33 μ FM
L116	fixed inductor	LGB0606-2.7 μ HJ
L114	fixed inductor	LGB0606-10 μ HJ
L115	fixed inductor	LGB0606-22 μ HJ
L111	fixed inductor	LGB0606-47 μ HJ
L118	fixed inductor	LGB0606-47 μ HJ
L119	fixed inductor	LGB0606-47 μ HJ
L120	fixed inductor	LGB0606-47 μ HJ
L121	fixed inductor	LGB0606-47 μ HJ
L105	cored inductor	TEM2011
L106	cored inductor	TEM2011
L110	cored inductor	TEM2011
L112	cored inductor	TEM2011
L113	cored inductor	TEM2011
L117	cored inductor	TEM2011
D101	diode	1N4148
D102	diode	1N4148

POSITION	NAME	TYPE
D103	diode	1N4148
D104	diode	1N4148
D106	diode	1N4148
D107	diode	1N4148
D108	diode	1N4148
D117	diode	1N4148
D118	diode	1N4148
D119	diode	1N4148
D120	diode	1N4148
D125	diode	1N4148
D126	diode	1N4148
D127	diode	1N4148
D128	diode	1N4148
D137	diode	1N4148
D137A	diode	1N4148
D137B	diode	1N4148
D138	diode	1N4148
D139	diode	1N4148
D134	diode	W05Z2.0B
D121	diode	W05Z5.1B
D122	diode	W05Z5.1B
D123	diode	W05Z5.1B
D124	diode	W05Z6.8B
Q104	triode	2SA1015-Y
Q114	triode	2SA1015-Y
Q117	triode	2SA1015-Y
Q118	triode	2SA1015-Y
Q119	triode	2SA1015-Y
Q111	triode	2SA1015-Y
Q110	triode	2SC1815-Y
Q102	triode	2SC1815-Y
Q107	triode	2SC1815-Y
Q108	triode	2SC1815-Y
Q113	triode	2SC1815-Y
Q120	triode	2SC1815-Y
Q121	triode	2SC1815-Y
Q122	triode	2SC1815-Y
Q103	triode	2SC2878-A
Q105	triode	2SC2878-A
Q106	triode	RN1204
Q109	triode	RN1204
XN101	Crystal oscillat	JA18A-8.00MHz
XN102	Crystal oscillat	CSBLA503KECF30
N100	Tuner	TCLW3101PD18A(S)
N101	Tuner	TCPW3001PC18B(S)
N102	IC	TA8200AH

POSITION	NAME	TYPE
N103	IC	M37281-EKPS
N104	IC	AT24C16
N106	IC	L7812CV
N109	IC	L7812CV
N105	IC	L7912CV
N107	IC	L7805CV
N108	IC	L7805CV
N115	IC	L7805CV
N110	IC	L7809CV
N111	IC	L7809CV
D100	IC	uPC574J
D100	IC	CW574CS
N113	IC	TA1360ANG
N116	IC	74HCT86N

2. Parts on Scan PCB

POSITION	NAME	TYPE
D303	carbon film resi	DT12 0 166W 56 0 I
D306	carbon film resi	DT12 0 166W 100 0 I
D307	carbon film resi	DT12 0 166W 100 0 I
R312	carbon film resi	RT12 0 166W 100 0 I
D314	carbon film resi	DT12 0 166W 100 0 I
D315	carbon film resi	DT12 0 166W 100 0 I
D316	carbon film resi	DT12 0 166W 100 0 I
D355	carbon film resi	DT12 0 166W 100 0 I
D431	carbon film resi	DT12 0 166W 100 0 I
D432	carbon film resi	DT12 0 166W 100 0 I
D453	carbon film resi	DT12 0 166W 100 0 I
D457	carbon film resi	DT12 0 166W 560 0 I
D458	carbon film resi	DT12 0 166W 560 0 I
D450	carbon film resi	DT12 0 166W 560 0 I
D460	carbon film resi	DT12 0 166W 560 0 I
D461	carbon film resi	DT12 0 166W 560 0 I
R462	carbon film resi	RT12 0 166W 560 0 I
D463	carbon film resi	DT12 0 166W 560 0 I
D464	carbon film resi	DT12 0 166W 560 0 I
D465	carbon film resi	DT12 0 166W 560 0 I
D466	carbon film resi	DT12 0 166W 560 0 I
R467	carbon film resi	RT12 0 166W 560 0 I
D468	carbon film resi	DT12 0 166W 560 0 I
D365	carbon film resi	DT12 0 166W 680 0 I
D470	carbon film resi	DT12 0 166W 1K 0 I
D476	carbon film resi	DT12 0 166W 1K 0 I
D454	carbon film resi	DT12 0 166W 1K 0 I
D356	carbon film resi	DT12 0 166W 1K 0 I
D357	carbon film resi	DT12 0 166W 1K 0 I
D358	carbon film resi	DT12 0 166W 1K 0 I
D425	carbon film resi	DT12 0 166W 1K 0 I
D470	carbon film resi	DT12 0 166W 1K 0 I
D422	carbon film resi	DT12 0 166W 1 2K 0 I
D424	carbon film resi	DT12 0 166W 1 2K 0 I
R443	carbon film resi	RT12 0 166W 1 8K 0 I
D385	carbon film resi	DT12 0 166W 2K 0 I
D424	carbon film resi	DT12 0 166W 2 2K 0 I
D324	carbon film resi	DT12 0 166W 3 2K 0 I
D324	carbon film resi	DT12 0 166W 3 2K 0 I

PE-5 Chassis Service Manual

POSITION	NAME	TYPE
D326	carbon film resi	DT12 0 166W 3 2K 0 I
D361	carbon film resi	DT12 0 166W 3 2K 0 I
D362	carbon film resi	DT12 0 166W 3 2K 0 I
D367	carbon film resi	DT12 0 166W 3 2K 0 I
D122	carbon film resi	DT12 0 166W 3 0K 0 I
D369	carbon film resi	DT12 0 166W 4 7K 0 I
D112	carbon film resi	DT12 0 166W 4 7K 0 I
D120	carbon film resi	DT12 0 166W 4 7K 0 I
D120	carbon film resi	DT12 0 166W 4 7K 0 I
D121	carbon film resi	DT12 0 166W 4 7K 0 I
D122	carbon film resi	DT12 0 166W 4 7K 0 I
D123	carbon film resi	DT12 0 166W 4 7K 0 I
D115	carbon film resi	DT12 0 166W 5 1K 0 I
D317	carbon film resi	DT12 0 166W 5 6K 0 I
D311	carbon film resi	DT12 0 166W 6 8K 0 I
D321	carbon film resi	DT12 0 166W 6 8K 0 I
R128	carbon film resi	DT12 0 166W 7 5K 0 I
D177	carbon film resi	DT12 0 166W 10K 0 F
D305	carbon film resi	DT12 0 166W 10K 0 I
D121	carbon film resi	DT12 0 166W 10K 0 I
D150	carbon film resi	DT12 0 166W 10K 0 I
R156	carbon film resi	DT12 0 166W 10K 0 I
D160	carbon film resi	DT12 0 166W 10K 0 I
D170	carbon film resi	DT12 0 166W 10K 0 I
D386	carbon film resi	DT12 0 166W 10K 0 I
D120	carbon film resi	DT12 0 166W 10K 0 I
D128	carbon film resi	DT12 0 166W 10K 0 I
D110	carbon film resi	DT12 0 166W 10K 0 I
D175	carbon film resi	DT12 0 166W 10K 0 I
R176	carbon film resi	DT12 0 166W 10K 0 I
D170A	carbon film resi	DT12 0 166W 10K 0 I
D312	carbon film resi	DT12 0 166W 12K 0 I
D112	carbon film resi	DT12 0 166W 12K 0 I
D110	carbon film resi	DT12 0 166W 15K 0 I
R178	carbon film resi	DT12 0 25W 2K 0 F
D177A	carbon film resi	DT12 0 25W 2K 0 F
D301	carbon film resi	DT12 0 166W 27K 0 I
D350	carbon film resi	DT12 0 166W 27K 0 I
D301	carbon film resi	DT12 0 166W 22K 0 I
R155	carbon film resi	DT12 0 166W 22K 0 I
D127	carbon film resi	DT12 0 166W 22K 0 I

PE-5 Chassis Service Manual

POSITION	NAME	TYPE
D171	carbon film resi	DT12 0 166W 42K 0 1
D218	carbon film resi	DT12 0 166W 47K 0 1
R122	carbon film resi	DT12 0 166W 47K 0 1
D255A	carbon film resi	DT12 0 166W 47K 0 1
D111	carbon film resi	DT12 0 166W 56K 0 1
D118	carbon film resi	DT12 0 166W 100K 0 1
D261	carbon film resi	DT12 0 166W 120K 0 1
D114	carbon film resi	DT12 0 166W 120K 0 1
D277	carbon film resi	DT12 0 166W 270K 0 1
D288	carbon film resi	DT12 0 166W 320K 0 1
D281	carbon film resi	DT12 0 166W 300K 0 1
D111	carbon film resi	DT12 0 166W 300K 0 1
D202	carbon film resi	DT12 0 166W 2 2M 0 1
D200	carbon film resi	DT14 0 25W 2 2K 0 1
D228	carbon film resi	DT14 0 25W 3 3K 0 1
R212	carbon film resi	DT14 0 25W 3 3K 0 1
D216	carbon film resi	DT14 0 25W 3 3K 0 1
D270	carbon film resi	DT14 0 25W 3 3K 0 1
D287	carbon film resi	DT14 0 25W 3 3K 0 1
D202	carbon film resi	DT14 0 25W 3 3K 0 1
R120	carbon film resi	DT14 0 25W 10K 0 1
D276	carbon film resi	D 145 0 5W 1 5K 0 1
D227	carbon film resi	D 145A 0 5W 5 6 0 2
D220	carbon film resi	D 120 0 5W 0 56 0 1
D220	carbon film resi	D 120 0 5W 0 56 0 1
D225	carbon film resi	D 120 0 5W 0 56 0 1
D226	carbon film resi	D 120 0 5W 0 56 0 1
D227	carbon film resi	D 120 0 5W 0 56 0 1
R215	carbon film resi	R 120 0 5W 0 56 0 1
D217	carbon film resi	D 120 0 5W 0 56 0 1
D251	carbon film resi	D 120 0 5W 0 56 0 1
D271	carbon film resi	D 120 0 5W 0 56 0 1
D272	carbon film resi	D 120 0 5W 0 56 0 1
R275	carbon film resi	R 120 0 5W 0 56 0 1
D280	carbon film resi	D 120 0 5W 0 56 0 1
D282	carbon film resi	D 120 0 5W 0 56 0 1
D282	carbon film resi	D 120 0 5W 0 56 0 1
D280	carbon film resi	D 120 0 5W 0 56 0 1
R201	carbon film resi	R 120 0 5W 0 56 0 1
D201	carbon film resi	D 120 0 5W 0 56 0 1

PE-5 Chassis Service Manual

POSITION	NAME	TYPE
D310	carbon film resi	D 120 2W 1 0 1
D322	carbon film resi	D 120 2W 2 2 0 1
D308	carbon film resi	D 120 2W 560 0 1
D368	metal oxide film	DV21 0 5W 1 2 0 1
D111	metal oxide film	DV21 0 5W 10 0 1
D328	metal oxide film	DV21 0 5W 56 0 1
D320	metal oxide film	DV21 0 5W 1 8K 0 1
D366	metal oxide film	DV21 0 5W 2 7K 0 1
D308	metal oxide film	DV21 0 5W 3 3K 0 1
D100	metal oxide film	DV21 0 5W 2 2M 0 1
D117	metal oxide film	DV21 1W 0 27 0 1
D172	metal oxide film	DV21 1W 0 27 0 1
D125	metal oxide film	DV21 1W 0 30 0 1
D127	metal oxide film	DV21 1W 0 30 0 1
D320	metal oxide film	DV21 1W 1 2 0 1
D352	metal oxide film	DV21 1W 100 0 1
D352	metal oxide film	DV21 1W 100 0 1
D351	metal oxide film	DV21 1W 100 0 1
D321	metal oxide film	DV21 2W 82 0 1
D321	metal oxide film	DV21 2W 82 0 1
D350	metal oxide film	DV21 2W 82 0 1
D371	metal oxide film	DV21 2W 82 0 1
D378	metal oxide film	DV21 2W 82 0 1
D306	metal oxide film	DV21 2W 82 0 1
D310	metal oxide film	DV21 1W 560 0 1
D372	metal oxide film	DV21 1W 51K 0 1
D311	metal oxide film	DV21 2W 1 0 1
D126	metal oxide film	DV21 2W 6 8 0 1
D172	metal oxide film	DV21 2W 100 0 1
D311	metal oxide film	DV21 2W 330 0 1
D102	metal oxide film	DV21 2W 5 6K 0 1
D325	wire wound resis	DY26 42 5W 100 0
D112	Delay fuse	DF11 2W 1 0 1
C308	ceramic capacitor	CC1 63V 062 C 22PF 1
C312	ceramic capacitor	CC1 63V 062 C 22PF 1
C317	ceramic capacitor	CC1 63V 062 C 22PF 1
C312	ceramic capacitor	CC1 63V 062 C 22PF 1
C315	ceramic capacitor	CC1 63V 062 C 22PF 1
C350	ceramic capacitor	CC1 63V 062 C 22PF 1
C321	ceramic capacitor	CC1 63V 062 SI 100DEK

PE-5 Chassis Service Manual

POSITION	NAME	TYPE
C320	ceramic capacitor	CC1 63V 063 SI 100DEFK
C322	ceramic capacitor	CC1 63V 063 SI 100DEFK
C351	ceramic capacitor	CC1 63V 063 SI 100DEFK
C362	ceramic capacitor	CC1 63V 063 SI 100DEFK
C366	ceramic capacitor	CC1 63V 063 SI 100DEFK
C304	ceramic capacitor	CC1 63V 063 SI 100DEFK
C322	ceramic capacitor	CC1 63V 063 SI 150DEFI
C328	ceramic capacitor	CC1 63V 063 SI 150DEFI
C331	ceramic capacitor	CC1 63V 063 SI 150DEFI
C352	ceramic capacitor	CC1 63V 063 SI 150DEFI
C361	ceramic capacitor	CC1 63V 063 SI 150DEFI
C365	ceramic capacitor	CC1 63V 063 SI 150DEFI
C405	ceramic capacitor	CC1 63V 063 SI 680DEFI
C403	ceramic capacitor	CC1 63V 063 SI 680DEFI
C404	ceramic capacitor	CC1 63V 063 SI 680DEFI
C406	ceramic capacitor	CC1 63V 063 SI 680DEFI
C407	ceramic capacitor	CC1 63V 063 SI 680DEFI
C408	ceramic capacitor	CC1 63V 063 SI 680DEFI
C409	ceramic capacitor	CC1 63V 063 SI 680DEFI
C410	ceramic capacitor	CC1 63V 063 SI 680DEFI
C411	ceramic capacitor	CC1 63V 063 SI 680DEFI
C412	ceramic capacitor	CC1 63V 063 SI 680DEFI
C413	ceramic capacitor	CC1 63V 063 SI 680DEFI
C414	ceramic capacitor	CC1 63V 063 SI 680DEFI
C357	ceramic capacitor	CT1 63V 063 2R1 170DEFK
C300	ceramic capacitor	CT1 63V 06C 2R1 1000DEFK
C304	ceramic capacitor	CT1 63V 06C 2R1 1700DEFK
C300	ceramic capacitor	CT1 50V 08R 2E1 0 01 II E7
C306	ceramic capacitor	CT1 500V 12C 2R1 3300DEFK
C303	ceramic capacitor	CT1 500V 06C 2R1 300DEFK
C320	ceramic capacitor	CT1 500V 063 2R1 170DEFK
C323	ceramic capacitor	CT1 500V 063 2R1 170DEFK
C326	ceramic capacitor	CT1 500V 11C 2R1 3000DEFK
C370	ceramic capacitor	CT21 2KV 10c 2R1 220DEFK
C305	ceramic capacitor	CT21 2KV 10c 2R1 170DEFK
C350	ceramic capacitor	CT21 2KV 10c 2R1 680DEFK
C364	ceramic capacitor	CT21 2KV 10c 2R1 680DEFK
C368	ceramic capacitor	CT21 2KV 10C 2R1 1500DEFI
C371	polyester film ca	CI 21X 50V 0 022 II E I
C387	polyester film ca	CI 21X 50V 0 015 II E I

POSITION	NAME	TYPE
C388	polyester film c2	CI 21Y 63V 0.056 μ F I
C303	polyester film c2	CI 21Y 50V 0.01 μ F I
C302	polyester film c2	CI 21Y 50V 0.1 μ F I
C311	polyester film c2	CI 21Y 50V 0.1 μ F I
C318	polyester film c2	CI 21Y 50V 0.1 μ F I
C320	polyester film c2	CI 21Y 50V 0.1 μ F I
C322	polyester film c2	CI 21Y 50V 0.1 μ F I
C325	polyester film c2	CI 21Y 50V 0.1 μ F I
C327	polyester film c2	CI 21Y 50V 0.1 μ F I
C334	polyester film c2	CI 21Y 50V 0.1 μ F I
C340	polyester film c2	CI 21Y 50V 0.1 μ F I
C344	polyester film c2	CI 21Y 50V 0.1 μ F I
C340	polyester film c2	CI 21Y 50V 0.1 μ F I
C353	polyester film c2	CI 21Y 50V 0.1 μ F I
C355	polyester film c2	CI 21Y 50V 0.1 μ F I
C360	polyester film c2	CI 21Y 50V 0.1 μ F I
C367	polyester film c2	CI 21Y 50V 0.1 μ F I
C381	polyester film c2	CI 21Y 50V 0.1 μ F I
C382	polyester film c2	CI 21Y 50V 0.1 μ F I
C308	polyester film c2	CI 21Y 50V 0.1 μ F I
C402	polyester film c2	CI 21Y 50V 0.1 μ F I
C417	polyester film c2	CI 21Y 50V 0.1 μ F I
C418	polyester film c2	CI 21Y 50V 0.1 μ F I
C410	polyester film c2	CI 21Y 50V 0.1 μ F I
C420	polyester film c2	CI 21Y 50V 0.1 μ F I
C320	polyester film c2	CI 21Y 50V 0.22 μ F I
C384	polyester film c2	CI 21Y 50V 0.47 μ F I
C363	polyester film c2	CI 21Y 100V 0.27 μ F I
C360	polypropylene c2	CRB13 200V 0.0471 μ F I
C330	polypropylene c2	CRB13 400V 0.033 μ F I
C354	polypropylene c2	CRB13 400V 0.033 μ F I
C341	polypropylene c2	CRB13 400V 0.12 μ F I
C342	polypropylene c2	CRB13 400V 0.12 μ F I
C347	polypropylene c2	CRB13 400V 0.30 μ F I
C324	polypropylene c2	CRB13 630V 82000 μ F I
C325	polypropylene c2	CRB21 1.6KV 15000 μ F I
C326	polypropylene c2	CRB21 1.6KV 30000 μ F I
C327	polypropylene c2	CRB21 1.6KV 24000 μ F I
C328	polypropylene c2	CRB21 1.6KV 18000 μ F I
C416	aluminium electr	CD110Y 50V 4.7 μ F EM

POSITION	NAME	TYPE
C302	aluminium electr	CD110Y 25V 220 μ FM
C385	aluminium electr	CD110Y 50V 1 μ FM
C308A	aluminium electr	CD110Y 50V 1 μ FM
C415	aluminium electr	CD110Y 50V 1 μ FM
C356	aluminium electr	CD110Y 50V 10 μ FM
C314	aluminium electr	CD110Y 50V 100 μ FM
C316	aluminium electr	CD110Y 50V 100 μ FM
C346	aluminium electr	CD110Y 50V 100 μ FM
C348	aluminium electr	CD110Y 50V 100 μ FM
C315	aluminium electr	CD110Y 50V 100 μ FM
C420A	aluminium electr	CD110Y 50V 100 μ FM
C312	aluminium electr	CD110Y 50V 220 μ FM
C373	aluminium electr	CD110Y 50V 330 μ FM
C378	aluminium electr	CD110Y 50V 470 μ FM
C370	aluminium electr	CD110Y 63V 470 μ FM
C375	aluminium electr	CD110Y 50V 1000 μ FM
C322	aluminium electr	CD110Y 50V 2200 μ FM
C307	aluminium electr	CD288H 160V 33 μ FM
C380	aluminium electr	CD81 35V 47 μ FM
C310	aluminium electr	CD81 35V 100 μ FM
C358	aluminium electr	CD81 35V 100 μ FM
C301	aluminium electr	CD81 50V 100 μ FM
C304	aluminium electr	CD81 50V 100 μ FM
C306	aluminium electr	CD81 250V 33 μ FM
C300	aluminium electr	CDS 100V 10 μ FM
L 295	fixed inductor	L CR0606 47 μ H I
L 201	fixed inductor	TEM2011
L 202	fixed inductor	TEM2011
L 203	fixed inductor	TEM2011
L 204	fixed inductor	TEM2011
L 205	fixed inductor	TEM2011
L 206	fixed inductor	TEM2011
L 212	fixed inductor	TEM2011
L 208	fixed inductor	TEM2011
L 210	fixed inductor	TEM2011
L 212	fixed inductor	TEM2011
L 215	fixed inductor	TEM2011
L 216	fixed inductor	TEM2011
L 217	fixed inductor	TEM2011
L 218	fixed inductor	TEM2011

PE-5 Chassis Service Manual

POSITION	NAME	TYPE
I 210	fixed inductor	TI N2220/ II IR4 757 003\
I 207	fixed inductor	TI N2220/ II IR4 757 004\
I 222	fixed inductor	HXT 15/ II IR4 756 016\
I 224	fixed inductor	I CT 201 IW/ II IR4 757 027\
VD320	diode	INA112
VD322	diode	INA112
VD301	diode	INA112
VD304	diode	INA112
VD302	diode	IS1227
VD307	diode	IS1227
VD311	diode	IS1227
VD308	diode	IS1227
VD310	diode	IS1227
VD314	diode	W0572 6R
VD315A	diode	W0572 6R
VD316	diode	W0572 6R
VD323	diode	W0572 6R
VD325	diode	W0572 0R
VD321	diode	W0575 1R
VD320	diode	W0575 6R
VD320	diode	W0575 6R
VD327	diode	W0575 6R
VD315	diode	W05711R
VD328	diode	W05711R
VD300	diode	W05720R
VD310	diode	TVD 1R
VD300	diode	E112A
VD302	diode	E112A
VD312	diode	E112A
VD313	Diode	EU2A
VD317	diode	EU2A
VD305	diode	ERC20-06
VD306	diode	2CZRV2
VD306	diode	5VUZ52
V302	triode	2C1815-Y
V306	triode	2C1815-Y
V307	triode	2C1815-Y
V308	triode	2C1815-Y
V311	triode	2C1815-Y
V312	triode	2C1815-Y
V313	triode	2C1815-Y
V316	triode	2C1815-Y

POSITION	NAME	TYPE
V318	triode	2C1815-Y
V303	triode	2SC2235-0
V304	triode	2SB688
V305	triode	2SC5144
V314	triode	2SA1015-Y
V315	triode	2SA1015-Y
V309	triode	2SC4686A
V317	triode	TL431C
T301	Line drive	BCT-7(JU4.739.039)
T303	Line drive	BSD70A
T302	Line drive	TLN2168
N301	IC	LA7846N
N315	High-voltage box	RCB-01
N303	IC	STK392-560
N304	IC	STK392-560
N302	IC	TA1317N
N305	IC	TCA0372

3. Parts on Power PCB

POSITION	NAME	TYDE
		Parts on Power PCB
D266	carbon film resis	DT13 0.166W 150 0.1
D244	carbon film resis	DT13 0.166W 620 0.1
D260	carbon film resis	DT13 0.166W 1K 0.1
D258	carbon film resis	RT13 0.166W 1K 0.1
D250	carbon film resis	DT13 0.166W 1K 0.1
D265	carbon film resis	DT13 0.166W 1.5K 0.1
D254	carbon film resis	DT13 0.166W 2.7K 0.1
D247	carbon film resis	DT13 0.166W 3.0K 0.1
D255	carbon film resis	DT13 0.166W 4.7K 0.1
D246	Glass glazed res	DI40 0.5W 1.5M 0.1
D253	metal film resis	DV21 0.5W 10 0.1
D248	metal film resis	DV21 0.5W 220K 0.1
D261	metal film resis	DV21 0.5W 220K 0.1
D240	metal film resis	DV21 0.5W 3.3K 0.1
D241	metal film resis	DV21 2W 0.12 0.1
D242	metal film resis	DV21 2W 0.12 0.1
D251	metal film resis	DV21 2W 17 I
D262	metal film resis	DV21 2W 17 I
D245	metal film resis	DV21 2W 100K 0.1
D243	Glass glazed res	232224213225A/D37225 B
D224	Voltage dependen	232250553246
D256	wire wound resis	RY25 2W 10 0.1
D222	Thermistor	S264/2.5/M
E11204	Direct fuse	20T 125V 3A
E11206	Direct fuse	20T 125V 3A
E11207	Direct fuse	20T 125V 3A
E11208	Direct fuse	20T 125V 3A
E11205	Direct fuse	20T 125V 5A
N207	Silicon rectifie	DRV 606
N207	Silicon rectifie	DRSR601
C203	ceramic capacito	CT1 63V 06C 2R4 170DEK
C243	ceramic capacito	CT1 63V 06C 2R4 170DEK
C215	ceramic capacito	CT1 63V 06a 2R4 1000DEK
C224	ceramic capacito	CTR1 2KV 02C 2D4 220DEK
C226	ceramic capacito	CT1 500V 06a 2R4 170DEK
C222	ceramic capacito	CT1 500V 06a 2R4 170DEK
C223	ceramic capacito	CT1 500V 06a 2R4 170DEK
C224	ceramic capacito	CT1 500V 06a 2R4 170DEK

PE-5 Chassis Service Manual

POSITION	NAME	TYPE
C825	ceramic capacitor	CT1 500V 063 2R4 170DEK
C844	ceramic capacitor	CT1 500V 063 2R4 170DEK
C804	ceramic capacitor	DE1107 1E172MAC250
C805	ceramic capacitor	DE1107 1E172MAC250
C813	ceramic capacitor	DE1107 1E172MAC250
C814	ceramic capacitor	DE1107 1E172MAC250
C800	ceramic capacitor	CT81 250V 12C 2R4 171K V1
C810	ceramic capacitor	DE0010R171K KY
C827	ceramic capacitor	CD85 E2CA171KVHS
C816	ceramic capacitor	DE0010E102M KY
C816A	ceramic capacitor	CT81 250V 11C 2E4 102M V1
C816A	ceramic capacitor	CD85 E2CA102MVHS
C834	ceramic capacitor	CT81 2KV 12C 2C1 2200PF I
C842	ceramic capacitor	CT81 2KV 12C 2C1 1000PF I
C807	polyester film ca	CI 21Y 63V 0 1 11 E I
C837	polyester film ca	CI 21Y 63V 0 1 11 E I
C840	polyester film ca	CI 21Y 63V 0 1 11 E I
C835	polyester film ca	CI 21Y 63V 0 1 11 E I
C818	polyester film ca	CI 21Y 63V 0 1 11 E I
C820	polyester film ca	CI 21Y 63V 0 1 11 E I
C801	polypropylene ca	22223220224(MKD)
C802	polypropylene ca	22223220224(MKD)
C806	polypropylene ca	22223220224(MKD)
C812	polypropylene ca	CRB13 630V 0 04 11 FH
C811	aluminium electr	CD110Y 50V 100 11 EM
C838	aluminium electr	CD288H 16V 330 11 EM
C830	aluminium electr	CD288H 16V 330 11 EM
C845	aluminium electr	CD288H 50V 330 11 EM
C834	aluminium electr	CD288H 50V 1500 11 EM
C832	aluminium electr	CD288H 50V 1000 11 EM
C820	aluminium electr	CD288H 50V 1000 11 EM
C830	aluminium electr	CD288H 50V 1000 11 EM
C833	aluminium electr	CD288H 50V 2200 11 EM
C817	aluminium electr	CD288H 450V 10 11 EM
C828	aluminium electr	CD202H 160V 330 11 EM
C808	aluminium electr	CD280 450V 820 11 EM
L 801	tuning tune ind	TEM2011
L 802	tuning tune ind	TEM2011
L 803	tuning tune ind	TEM2011
L 804	tuning tune ind	TEM2011

PE-5 Chassis Service Manual

POSITION	NAME	TYPE
I 205	tuning tune ind	TEM2011
I 206	tuning tune ind	TEM2011
I 207	tuning tune ind	TEM2011
I 208	tuning tune ind	TEM2011
I 209	tuning tune ind	TEM2011
I 210	tuning tune ind	TEM2011
I 217	tuning tune ind	TEM2011
I 216	tuning tune ind	TEM2011
I 215	fixed inductor	TI N2026 11 Ω HK
I 212	fixed inductor	TI N2026 11 Ω HK
I 213	fixed inductor	TI N2026 11 Ω HK
I 214	fixed inductor	TI N2026 11 Ω HK
I 211	fixed inductor	TI N3155D 100 Ω HK
V/D22	diode	1N4148
V/D255	diode	W0571 3B
V/D215	diode	W05712A
V/D216	diode	W05712A
V/D220	diode	W05718C
V/D221	diode	W05718C
V/D222	diode	W05722C
V/D218	diode	1N5822
V/D224	diode	DI 14AM (E I 1)
V/D203	diode	DI E I 1
V/D205	diode	AI 1017
V/D207	diode	AI 1017
V/D201	diode	ΔK03
V/D214	diode	IN4037
V/D204	diode	9AP901
V/D208	diode	EMI C12S
V/D209	diode	EMI C12S
V/D211	diode	EMI C12S
V/D212	diode	EMI C12S
V/D213	diode	EMI C12S
V/D210	diode	EMI C16S
V/201	triode	2SC2655 VI
V/202	triode	2SC1815 V
V/203	triode	2SC2852
EI 1201	Delay fuse	D/SN/II 50T T5A1 250
EI 1201	Delay fuse	612005
T202	Filtering induct	I CI E12/ II R4 757 123\

PE-5 Chassis Service Manual

POSITION	NAME	TYPE
T201	Filtering induct	LC1 E12/IIIR4 757 123\
T202	Delay	ETD 42A1 005T
T204	Filtering induct	CT 0052
T204	Filtering induct	LEB 37 01
T206	Power transforme	ROK 122011
T207	Power transforme	ROK 255011
N201	IC	STD E6652R
N202	IC	CE125N1
N203	IC	TNV261D
N205	IC	DC217
N206	IC	ITV 216
N206	IC	HC217
N216	Silicon rectifie	T1V/RA60
N216	Silicon rectifie	S1V/RA60

4. Parts on Digital PCB

POSITION	NAME	TYPE
D510	chip resistor	DC03K000 IT
D511	chip resistor	DC03K000 IT
D512	chip resistor	DC03K000 IT
D576	chip resistor	DC03K000 IT
D577	chip resistor	DC03K000 IT
D578	chip resistor	DC03K000 IT
D570	chip resistor	DC03K000 IT
D580	chip resistor	DC03K000 IT
D582	chip resistor	DC03K000 IT
D504	chip resistor	DC03K000 IT
D608	chip resistor	DC03K000 IT
D621	chip resistor	DC03K000 IT
D622	chip resistor	DC03K000 IT
R601	chip resistor	DC03K000 IT
D581	chip resistor	DC03K000 IT
D502	chip resistor	DC03K170 IT
D504	chip resistor	DC03K170 IT
D505	chip resistor	DC03K170 IT
D572	chip resistor	DC03K170 IT
D574	chip resistor	DC03K170 IT
D575	chip resistor	DC03K170 IT
R524	chip resistor	DC03K750 IT
D525	chip resistor	DC03K750 IT
D526	chip resistor	DC03K750 IT
D527	chip resistor	DC03K750 IT
D528	chip resistor	DC03K750 IT
R520	chip resistor	DC03K750 IT
D602	chip resistor	DC03K750 IT
D555	chip resistor	DC03K101 IT
D556	chip resistor	DC03K101 IT
D557	chip resistor	DC03K101 IT
R565	chip resistor	DC03K101 IT
D616	chip resistor	DC03K101 IT
D515	chip resistor	DC03K101 IT
D516	chip resistor	DC03K101 IT
D517	chip resistor	DC03K101 IT
D518	chip resistor	DC03K101 IT
D510	chip resistor	DC03K101 IT
D566	chip resistor	DC03K101 IT

PE-5 Chassis Service Manual

POSITION	NAME	TYPE
D568	chip resistor	DC03K101 IT
D569	chip resistor	DC03K101 IT
D570	chip resistor	DC03K101 IT
D571	chip resistor	DC03K101 IT
D572	chip resistor	DC03K101 IT
D610	chip resistor	DC03K101 IT
D612	chip resistor	DC03K101 IT
D614	chip resistor	DC03K101 IT
D615	chip resistor	DC03K101 IT
I 510	chip resistor	DC06K000 IT
I 512	chip resistor	DC06K000 IT
D550	chip resistor	DC03K151 IT
D552	chip resistor	DC03K151 IT
D554	chip resistor	DC03K151 IT
D617	chip resistor	DC03K151 IT
D618	chip resistor	DC03K151 IT
D619	chip resistor	DC03K151 IT
R606	chip resistor	RC03K221 IT
D607	chip resistor	DC03K221 IT
D514	chip resistor	DC03K231 IT
D510	chip resistor	DC03K231 IT
D512	chip resistor	DC03K231 IT
D620	chip resistor	DC03K231 IT
D500	chip resistor	DC03K171 IT
D501	chip resistor	DC03K171 IT
R502	chip resistor	RC03K171 IT
D522	chip resistor	DC03K171 IT
D524	chip resistor	DC03K171 IT
D525	chip resistor	DC03K171 IT
D527	chip resistor	DC03K171 IT
R528	chip resistor	RC03K171 IT
D529	chip resistor	DC03K171 IT
D500	chip resistor	DC03K171 IT
D501	chip resistor	DC03K171 IT
D502	chip resistor	DC03K171 IT
R503	chip resistor	RC03K171 IT
D600	chip resistor	DC03K171 IT
D610	chip resistor	DC03K171 IT
D611	chip resistor	DC03K171 IT
D620	chip resistor	DC03K511 IT

PE-5 Chassis Service Manual

POSITION	NAME	TYPE
D506	chip resistor	DC03K681 IT
D507	chip resistor	DC03K681 IT
D510	chip resistor	DC03K102 IT
D511	chip resistor	DC03K102 IT
D559	chip resistor	DC03K102 IT
D550	chip resistor	DC03K102 IT
D560	chip resistor	DC03K102 IT
D561	chip resistor	DC03K102 IT
D562	chip resistor	DC03K102 IT
D563	chip resistor	DC03K102 IT
D564	chip resistor	DC03K102 IT
D620	chip resistor	DC03K122 IT
R622	chip resistor	RC03K152 IT
D626	chip resistor	DC03K202 IT
D550	chip resistor	DC03K222 IT
D500	chip resistor	DC03K222 IT
D524	chip resistor	DC03K332 IT
R525	chip resistor	RC03K332 IT
D526	chip resistor	DC03K332 IT
D500	chip resistor	DC03K302 IT
D512	chip resistor	DC03K172 IT
D510	chip resistor	DC03K172 IT
D520	chip resistor	DC03K172 IT
D516	chip resistor	DC03K172 IT
D517	chip resistor	DC03K172 IT
R627	chip resistor	RC03K562 IT
D625	chip resistor	DC03K103 IT
D502	chip resistor	DC03K103 IT
D511	chip resistor	DC03K103 IT
D505	chip resistor	DC03K103 IT
R506	chip resistor	RC03K103 IT
D507	chip resistor	DC03K103 IT
D502	chip resistor	DC03K103 IT
D527	chip resistor	DC03K123 IT
D522	chip resistor	DC03K123 IT
R520	chip resistor	RC03K123 IT
D520	chip resistor	DC03K123 IT
D521	chip resistor	DC03K123 IT
D522	chip resistor	DC03K123 IT
D522	chip resistor	DC03K123 IT

PE-5 Chassis Service Manual

POSITION	NAME	TYPE
D521	chip resistor	DC03K153 IT
D522	chip resistor	DC03K153 IT
D523	chip resistor	DC03K153 IT
D600	chip resistor	DC03K273 IT
D513	chip resistor	DC03K225 IT
DD500	chip resistor	DCMI 08W470 IT
DD501	chip resistor	DCMI 08W404 IT
DD502	chip resistor	DCMI 08W404 IT
DD503	chip resistor	DCMI 08W404 IT
DD504	chip resistor	DCMI 08W404 IT
DD505	chip resistor	DCMI 08W404 IT
DD506	chip resistor	DCMI 08W404 IT
C605	chip capacitor	0603CG100 1500NT
C606	chip capacitor	0603CG100 1500NT
C722	chip capacitor	0603CG150 1500NT
C667	chip capacitor	0603CG220 1500NT
C668	chip capacitor	0603CG220 1500NT
C705	chip capacitor	0603CG270 1500NT
C706	chip capacitor	0603CG270 1500NT
C724	chip capacitor	0603CG330 1500NT
C674	chip capacitor	0603CG300 1500NT
C675	chip capacitor	0603CG300 1500NT
C676	chip capacitor	0603CG300 1500NT
C660	chip capacitor	0603CG104 1500NT
C670	chip capacitor	0603CG104 1500NT
C650	chip capacitor	0603CG104 1500NT
C660	chip capacitor	0603CG104 1500NT
C662	chip capacitor	0603CG104 1500NT
C663	chip capacitor	0603CG104 1500NT
C661	chip capacitor	0603CG104 1500NT
C722	chip capacitor	0603CG681 1500NT
C561	chip capacitor	0603B103K500NT
C557	chip capacitor	0603B822K500NT
C724	chip capacitor	0603B103K500NT
C677	chip capacitor	0603B103K500NT
C678	chip capacitor	0603B103K500NT
C680	chip capacitor	0603B103K500NT
C681	chip capacitor	0603B103K500NT
C682	chip capacitor	0603B103K500NT
C685	chip capacitor	0603B103K500NT

PE-5 Chassis Service Manual

POSITION	NAME	TYPE
C687	chip capacitor	0603R103K500NT
C707	chip capacitor	0603R103K500NT
C708	chip capacitor	0603R103K500NT
C709	chip capacitor	0603R103K500NT
C710	chip capacitor	0603R103K500NT
C711	chip capacitor	0603R103K500NT
C712	chip capacitor	0603R103K500NT
C713	chip capacitor	0603R103K500NT
C714	chip capacitor	0603R103K500NT
C670	chip capacitor	0603R103K500NT
C683	chip capacitor	0603R103K500NT
C684	chip capacitor	0603R103K500NT
C686	chip capacitor	0603R103K500NT
C688	chip capacitor	0603R103K500NT
C689	chip capacitor	0603R103K500NT
C702	chip capacitor	0603R103K500NT
C703	chip capacitor	0603R103K500NT
C704	chip capacitor	0603R103K500NT
C603	chip capacitor	0603R223K500NT
C558	chip capacitor	0603E1737500NT
C559	chip capacitor	0603E1737500NT
C560	chip capacitor	0603E1737500NT
C556	chip capacitor	0603E1737500NT
C510	chip capacitor	0603E1047500NT
C511	chip capacitor	0603E1047500NT
C512	chip capacitor	0603E1047500NT
C513	chip capacitor	0603E1047500NT
C517	chip capacitor	0603E1047500NT
C518	chip capacitor	0603E1047500NT
C519	chip capacitor	0603E1047500NT
C526	chip capacitor	0603E1047500NT
C528	chip capacitor	0603E1047500NT
C529	chip capacitor	0603E1047500NT
C562	chip capacitor	0603E1047500NT
C564	chip capacitor	0603E1047500NT
C565	chip capacitor	0603E1047500NT
C566	chip capacitor	0603E1047500NT
C567	chip capacitor	0603E1047500NT
C568	chip capacitor	0603E1047500NT
C569	chip capacitor	0603E1047500NT

PE-5 Chassis Service Manual

POSITION	NAME	TYPE
C570	chip capacitor	0603E1047500NIT
C571	chip capacitor	0603E1047500NIT
C572	chip capacitor	0603E1047500NIT
C573	chip capacitor	0603E1047500NIT
C574	chip capacitor	0603E1047500NIT
C575	chip capacitor	0603E1047500NIT
C577	chip capacitor	0603E1047500NIT
C578	chip capacitor	0603E1047500NIT
C580	chip capacitor	0603E1047500NIT
C581	chip capacitor	0603E1047500NIT
C582	chip capacitor	0603E1047500NIT
C583	chip capacitor	0603E1047500NIT
C584	chip capacitor	0603E1047500NIT
C585	chip capacitor	0603E1047500NIT
C586	chip capacitor	0603E1047500NIT
C587	chip capacitor	0603E1047500NIT
C588	chip capacitor	0603E1047500NIT
C589	chip capacitor	0603E1047500NIT
C590	chip capacitor	0603E1047500NIT
C591	chip capacitor	0603E1047500NIT
C592	chip capacitor	0603E1047500NIT
C593	chip capacitor	0603E1047500NIT
C594	chip capacitor	0603E1047500NIT
C595	chip capacitor	0603E1047500NIT
C596	chip capacitor	0603E1047500NIT
C598	chip capacitor	0603E1047500NIT
C601	chip capacitor	0603E1047500NIT
C602	chip capacitor	0603E1047500NIT
C603	chip capacitor	0603E1047500NIT
C604	chip capacitor	0603E1047500NIT
C605	chip capacitor	0603E1047500NIT
C607	chip capacitor	0603E1047500NIT
C608	chip capacitor	0603E1047500NIT
C610	chip capacitor	0603E1047500NIT
C611	chip capacitor	0603E1047500NIT
C612	chip capacitor	0603E1047500NIT
C613	chip capacitor	0603E1047500NIT
C615	chip capacitor	0603E1047500NIT
C619	chip capacitor	0603E1047500NIT
C621	chip capacitor	0603E1047500NIT
C623	chip capacitor	0603E1047500NIT

PE-5 Chassis Service Manual

POSITION	NAME	TYPE
C620	chip capacitor	0603E1047500NIT
C620	chip capacitor	0603E1047500NIT
C621	chip capacitor	0603E1047500NIT
C622	chip capacitor	0603E1047500NIT
C623	chip capacitor	0603E1047500NIT
C624	chip capacitor	0603E1047500NIT
C642	chip capacitor	0603E1047500NIT
C643	chip capacitor	0603E1047500NIT
C644	chip capacitor	0603E1047500NIT
C651	chip capacitor	0603E1047500NIT
C652	chip capacitor	0603E1047500NIT
C653	chip capacitor	0603E1047500NIT
C654	chip capacitor	0603E1047500NIT
C655	chip capacitor	0603E1047500NIT
C656	chip capacitor	0603E1047500NIT
C671	chip capacitor	0603E1047500NIT
C672	chip capacitor	0603E1047500NIT
C673	chip capacitor	0603E1047500NIT
C506	chip capacitor	0603E1047500NIT
C509	chip capacitor	0603E1047500NIT
C508	chip capacitor	0603E1047500NIT
C514	chip capacitor	0603E1047500NIT
C515	chip capacitor	0603E1047500NIT
C516	chip capacitor	0603E1047500NIT
C520	chip capacitor	0603E1047500NIT
C521	chip capacitor	0603E1047500NIT
C522	chip capacitor	0603E1047500NIT
C523	chip capacitor	0603E1047500NIT
C524	chip capacitor	0603E1047500NIT
C525	chip capacitor	0603E1047500NIT
C527	chip capacitor	0603E1047500NIT
C563	chip capacitor	0603E1047500NIT
C576	chip capacitor	0603E1047500NIT
C579	chip capacitor	0603E1047500NIT
C591	chip capacitor	0603E1047500NIT
C597	chip capacitor	0603E1047500NIT
C599	chip capacitor	0603E1047500NIT
C600	chip capacitor	0603E1047500NIT
C606	chip capacitor	0603E1047500NIT
C609	chip capacitor	0603E1047500NIT

PE-5 Chassis Service Manual

POSITION	NAME	TYPE
C614	chip capacitor	0603E1047500NT
C616	chip capacitor	0603E1047500NT
C617	chip capacitor	0603E1047500NT
C618	chip capacitor	0603E1047500NT
C620	chip capacitor	0603E1047500NT
C622	chip capacitor	0603E1047500NT
C624	chip capacitor	0603E1047500NT
C625	chip capacitor	0603E1047500NT
C626	chip capacitor	0603E1047500NT
C627	chip capacitor	0603E1047500NT
C628	chip capacitor	0603E1047500NT
C629	chip capacitor	0603E1047500NT
C635	chip capacitor	0603E1047500NT
C636	chip capacitor	0603E1047500NT
C637	chip capacitor	0603E1047500NT
C638	chip capacitor	0603E1047500NT
C639	chip capacitor	0603E1047500NT
C640	chip capacitor	0603E1047500NT
C641	chip capacitor	0603E1047500NT
C664	chip capacitor	0603E1047500NT
C665	chip capacitor	0603E1047500NT
C666	chip capacitor	0603E1047500NT
C507	chip capacitor	0603E1047500NT
C701	chip capacitor	C0D0S 25V 1 71 IEM
C502	chip capacitor	C0D0S 16V 101 IEM
C503	chip capacitor	C0D0S 16V 101 IEM
C504	chip capacitor	C0D0S 16V 101 IEM
C523	chip capacitor	C0D0S 16V 101 IEM
C524	chip capacitor	C0D0S 16V 101 IEM
C525	chip capacitor	C0D0S 16V 101 IEM
C526	chip capacitor	C0D0S 16V 101 IEM
C527	chip capacitor	C0D0S 16V 101 IEM
C528	chip capacitor	C0D0S 16V 101 IEM
C529	chip capacitor	C0D0S 16V 101 IEM
C540	chip capacitor	C0D0S 16V 101 IEM
C541	chip capacitor	C0D0S 16V 101 IEM
C542	chip capacitor	C0D0S 16V 101 IEM
C543	chip capacitor	C0D0S 16V 101 IEM
C544	chip capacitor	C0D0S 16V 101 IEM
C545	chip capacitor	C0D0S 16V 101 IEM
C546	chip capacitor	C0D0S 16V 101 IEM

PE-5 Chassis Service Manual

POSITION	NAME	TYPE
C517	chip capacitor	CND5 16V 101 IEM
C518	chip capacitor	CND5 16V 101 IEM
C519	chip capacitor	CND5 16V 101 IEM
C550	chip capacitor	CND5 16V 101 IEM
C551	chip capacitor	CND5 16V 101 IEM
C552	chip capacitor	CND5 16V 101 IEM
C553	chip capacitor	CND5 16V 101 IEM
C554	chip capacitor	CND5 16V 101 IEM
C555	chip capacitor	CND5 16V 101 IEM
C615	chip capacitor	CND5 16V 101 IEM
C616	chip capacitor	CND5 16V 101 IEM
C617	chip capacitor	CND5 16V 101 IEM
C618	chip capacitor	CND5 16V 101 IEM
C619	chip capacitor	CND5 16V 101 IEM
C650	chip capacitor	CND5 16V 101 IEM
C500	chip capacitor	CND5 16V 101 IEM
C501	chip capacitor	CND5 16V 101 IEM
C602	chip capacitor	CND5 16V 101 IEM
C718	chip capacitor	CND5 16V 101 IEM
C607	chip capacitor	CND5 16V 171 IEM
C608	chip capacitor	CND5 16V 171 IEM
C609	chip capacitor	CND5 16V 171 IEM
C700	chip capacitor	CND5 16V 171 IEM
C719	chip capacitor	CND5 16V 1001 IEM
C720	chip capacitor	CND5 16V 1001 IEM
C657	chip capacitor	CND5 16V 1001 IEM
C658	chip capacitor	CND5 16V 1001 IEM
C530	chip capacitor	CND5 16V 221 IEM
C531	chip capacitor	CND5 16V 221 IEM
C532	chip capacitor	CND5 16V 221 IEM
C505	chip capacitor	CND5 10V 2201 IEM
C604	chip capacitor	CND5 50V 2 21 IEM
C715	chip capacitor	CND5 50V 11 IEM
C716	chip capacitor	CND5 50V 11 IEM
C717	chip capacitor	CND5 50V 11 IEM
C600	chip capacitor	CND5 50V 0 471 IEM
C601	chip capacitor	MS 50V 0 471 IEM
L 515	chip inductor	ISC1812 1 71 IHK
L 501	chip inductor	ISC1812 1 71 IHK
L 508	chip inductor	ISC1812 101 IHK

PE-5 Chassis Service Manual

POSITION	NAME	TYPE
I 500	chip inductor	ISC1812 101 IHK
I 510	chip inductor	ISC1812 101 IHK
I 511	chip inductor	ISC1812 101 IHK
I 514	chip inductor	ISC1812 101 IHK
I 516	chip inductor	ISC1812 1001 IHK
I 517	chip inductor	ISC1812 1001 IHK
I 518	chip inductor	ISC1812 1001 IHK
I 519	chip inductor	ISC1812 1001 IHK
I 520	chip inductor	ISC1812 1001 IHK
I 521	chip inductor	ISC1812 1001 IHK
I 522	chip inductor	ISC1812 1001 IHK
I 524	chip inductor	ISC1812 271 IHK
I 523	chip inductor	ISC1812 3301 IHK
I 502	chip inductor	CRQ45321 I124T
I 503	chip inductor	CRQ45321 I124T
I 504	chip inductor	CRQ45321 I124T
I 505	chip inductor	CRQ45321 I124T
I 506	chip inductor	CRQ45321 I124T
I 507	chip inductor	CRQ45321 I124T
I 508	chip inductor	CRQ45321 I124T
D500	chip diode	BAV001 T1
D501	chip diode	BAV001 T1
D502	chip diode	BAV001 T1
D503	chip diode	BAV001 T1
D504	chip diode	BAV001 T1
D505	chip diode	BAV001 T1
D506	chip diode	BAV001 T1
D507	chip diode	BAV001 T1
D508	chip diode	BAV001 T1
D509	chip diode	BAV001 T1
D510	chip diode	BAV001 T1
D511	chip diode	BAV99LT1
D512	chip diode	BAV99LT1
V500	chip triode	MMBT3906
V501	chip triode	MMBT3906
V505	chip triode	MMBT3906
V506	chip triode	MMBT3906
V507	chip triode	MMBT3906
V502	chip triode	MMBT3906
V503	chip triode	MMBT3906
V504	chip triode	MMBT3906
V513	chip triode	MMBT3904

PE-5 Chassis Service Manual

POSITION	NAME	TYPE
V514	chip triode	MMBT3904
V515	chip triode	MMBT3904
V516	chip triode	MMBT3904
V510	chip triode	MMBT3904
V511	chip triode	MMBT3904
V512	chip triode	MMBT3904
N513	IC	HY57V641620HG
N509	IC	AS1117M2-2.5
N510	IC	AIC1117-25CY
N502	IC	AS1117M3-3.3
N503	IC	AS1117M3-3.3
N504	IC	AS1117M3-3.3
N505	IC	AS1117M3-3.3
N506	IC	AS1117M3-3.3
N512	IC	AS1117M3-3.3
N507	IC	AD9883A - 110MSPS
N511	IC	PW1235
N516	IC	TC90A69F
N514	IC	TB1274AF
N515	IC	SDA9489X
X500	Crystal oscillat	JA18S-10.00MHZ
X501	Crystal oscillat	NR-18NT-16.2020MHZ
X502	Crystal oscillat	JA18A1-20250KHZ

5. Parts on CONV PCB

POSITION	NAME	TYPC
		Parts on CONV PCB
PC03	chip resistor	ED 16GEV 1101V
PC03	chip resistor	CP1/10101 IV
PC03	chip resistor	DC 05K101 IT
PC08	chip resistor	ED 16GEV 1101V
PC08	chip resistor	CP1/10101 IV
PC08	chip resistor	DC 05K101 IT
PC09	chip resistor	ED 16GEV 1101V
PC09	chip resistor	CP1/10101 IV
PC09	chip resistor	DC 05K101 IT
PC12	chip resistor	ED 16GEV 1101V
PC12	chip resistor	CP1/10101 IV
PC12	chip resistor	DC 05K101 IT
PC13	chip resistor	ED 16GEV 1101V
PC13	chip resistor	CP1/10101 IV
PC13	chip resistor	DC 05K101 IT
PC14	chip resistor	ED 16GEV 1101V
PC14	chip resistor	CP1/10101 IV
PC14	chip resistor	DC 05K101 IT
PC15	chip resistor	ED 16GEV 1101V
PC15	chip resistor	CP1/10101 IV
PC15	chip resistor	DC 05K101 IT
PC16	chip resistor	ED 16GEV 1101V
PC16	chip resistor	CP1/10101 IV
PC16	chip resistor	DC 05K101 IT
PC18	chip resistor	ED 16GEV 1101V
PC18	chip resistor	CP1/10101 IV
PC18	chip resistor	DC 05K101 IT
PC19	chip resistor	ED 16GEV 1101V
PC19	chip resistor	CP1/10101 IV
PC19	chip resistor	DC 05K101 IT
PC21	chip resistor	ED 16GEV 1101V
PC21	chip resistor	CP1/10101 IV
PC21	chip resistor	DC 05K101 IT
PC27	chip resistor	ED 16GEV 1101V
PC27	chip resistor	CP1/10101 IV
PC27	chip resistor	DC 05K101 IT
PC28	chip resistor	ED 16GEV 1101V
PC28	chip resistor	CP1/10101 IV

PE-5 Chassis Service Manual

POSITION	NAME	TYPE
DC20	chin resistor	ED 16GEV 1101V
DC20	chin resistor	CP1/10101 IV
DC20	chin resistor	DC 05K101 IT
DC20	chin resistor	ED 16GEV 1101V
DC20	chin resistor	CP1/10101 IV
DC20	chin resistor	DC 05K101 IT
DC21	chin resistor	ED 16GEV 1101V
DC21	chin resistor	CP1/10101 IV
DC21	chin resistor	DC 05K101 IT
DC21	chin resistor	ED 16GEV 1101V
DC21	chin resistor	CP1/10101 IV
DC21	chin resistor	DC 05K101 IT
DC26	chin resistor	ED 16GEV 1101V
DC26	chin resistor	CP1/10101 IV
DC26	chin resistor	DC 05K101 IT
DC28	chin resistor	ED 16GEV 1101V
DC28	chin resistor	CP1/10101 IV
DC28	chin resistor	DC 05K101 IT
DC40	chin resistor	ED 16GEV 1101V
DC40	chin resistor	CP1/10101 IV
DC40	chin resistor	DC 05K101 IT
DC48	chin resistor	ED 16GEV 1101V
DC48	chin resistor	CP1/10101 IV
DC48	chin resistor	DC 05K101 IT
DC40	chin resistor	ED 16GEV 1101V
DC40	chin resistor	CP1/10101 IV
DC40	chin resistor	DC 05K101 IT
DC52	chin resistor	ED 16GEV 1101V
DC52	chin resistor	CP1/10101 IV
DC52	chin resistor	DC 05K101 IT
DC51	chin resistor	ED 16GEV 1101V
DC51	chin resistor	CP1/10101 IV
DC51	chin resistor	DC 05K101 IT
DC55	chin resistor	ED 16GEV 1101V
DC55	chin resistor	CP1/10101 IV
DC55	chin resistor	DC 05K101 IT
DC56	chin resistor	ED 16GEV 1101V
DC56	chin resistor	CP1/10101 IV
DC56	chin resistor	DC 05K101 IT
DC57	chin resistor	ED 16GEV 1101V

PE-5 Chassis Service Manual

POSITION	NAME	TYPE
PC57	chip resistor	CP1/10101 IV
PC57	chip resistor	DC 05K101 IT
PC50	chip resistor	ED 16QEV 1101V
PC50	chip resistor	CP1/10101 IV
PC50	chip resistor	DC 05K101 IT
PC62	chip resistor	ED 16QEV 1101V
PC62	chip resistor	CP1/10101 IV
PC62	chip resistor	DC 05K101 IT
PC66	chip resistor	ED 16QEV 1101V
PC66	chip resistor	CP1/10101 IV
PC66	chip resistor	DC 05K101 IT
PC67	chip resistor	ED 16QEV 1101V
PC67	chip resistor	CP1/10101 IV
PC67	chip resistor	DC 05K101 IT
PC72	chip resistor	ED 16QEV 1101V
PC72	chip resistor	CP1/10101 IV
PC72	chip resistor	DC 05K101 IT
PC76	chip resistor	ED 16QEV 1101V
PC76	chip resistor	CP1/10101 IV
PC76	chip resistor	DC 05K101 IT
PC81	chip resistor	ED 16QEV 1101V
PC81	chip resistor	CP1/10101 IV
PC81	chip resistor	DC 05K101 IT
PC82	chip resistor	ED 16QEV 1101V
PC82	chip resistor	CP1/10101 IV
PC82	chip resistor	DC 05K101 IT
PC83	chip resistor	ED 16QEV 1101V
PC83	chip resistor	CP1/10101 IV
PC83	chip resistor	DC 05K101 IT
PC84	chip resistor	ED 16QEV 1101V
PC84	chip resistor	CP1/10101 IV
PC84	chip resistor	DC 05K101 IT
PC85	chip resistor	ED 16QEV 1101V
PC85	chip resistor	CP1/10101 IV
PC85	chip resistor	DC 05K101 IT
PC86	chip resistor	ED 16QEV 1101V
PC86	chip resistor	CP1/10101 IV
PC86	chip resistor	DC 05K101 IT
PC87	chip resistor	ED 16QEV 1101V
PC87	chip resistor	CP1/10101 IV

PE-5 Chassis Service Manual

POSITION	NAME	TYPE
PC27	chip resistor	DC 05K101 IT
PC28	chip resistor	ED I6CEV I101V
PC28	chip resistor	CP1/I0101 IV
PC28	chip resistor	DC 05K101 IT
PC29	chip resistor	ED I6CEV I101V
PC29	chip resistor	CP1/I0101 IV
PC29	chip resistor	DC 05K101 IT
PC00	chip resistor	ED I6CEV I101V
PC00	chip resistor	CP1/I0101 IV
PC00	chip resistor	DC 05K101 IT
PC01	chip resistor	ED I6CEV I101V
PC01	chip resistor	CP1/I0101 IV
PC01	chip resistor	DC 05K101 IT
PC02	chip resistor	ED I6CEV I101V
PC02	chip resistor	CP1/I0101 IV
PC02	chip resistor	DC 05K101 IT
PC02	chip resistor	ED I6CEV I101V
PC02	chip resistor	CP1/I0101 IV
PC02	chip resistor	DC 05K101 IT
PC07	chip resistor	ED I6CEV I101V
PC07	chip resistor	CP1/I0101 IV
PC07	chip resistor	DC 05K101 IT
PC100	chip resistor	ED I6CEV I101V
PC100	chip resistor	CP1/I0101 IV
PC100	chip resistor	DC 05K101 IT
PC112	chip resistor	ED I6CEV I101V
PC112	chip resistor	CP1/I0101 IV
PC112	chip resistor	DC 05K101 IT
PC128	chip resistor	ED I6CEV I101V
PC128	chip resistor	CP1/I0101 IV
PC128	chip resistor	DC 05K101 IT
PC124	chip resistor	ED I6CEV I101V
PC124	chip resistor	CP1/I0101 IV
PC124	chip resistor	DC 05K101 IT
PC136	chip resistor	ED I6CEV I101V
PC136	chip resistor	CP1/I0101 IV
PC136	chip resistor	DC 05K101 IT
PC130	chip resistor	ED I6CEV I101V
PC130	chip resistor	CP1/I0101 IV
PC130	chip resistor	DC 05K101 IT

PE-5 Chassis Service Manual

POSITION	NAME	TYPE
PC140	chip resistor	ED 16QEV 1101V
PC140	chip resistor	CP1/10101 IV
PC140	chip resistor	DC 05K101 IT
PC141	chip resistor	ED 16QEV 1101V
PC141	chip resistor	CP1/10101 IV
PC141	chip resistor	DC 05K101 IT
PC152	chip resistor	ED 16QEV 1101V
PC152	chip resistor	CP1/10101 IV
PC152	chip resistor	DC 05K101 IT
PC150	chip resistor	ED 16QEV 1101V
PC150	chip resistor	CP1/10101 IV
PC150	chip resistor	DC 05K101 IT
PC61	chip resistor	ED 16QEV561V
PC61	chip resistor	CP1/10561EV
PC61	chip resistor	DC 05K561ET
PC60	chip resistor	ED 16QEV561V
PC60	chip resistor	CP1/10561EV
PC60	chip resistor	DC 05K561ET
PC77	chip resistor	ED 16QEV561V
PC77	chip resistor	CP1/10561EV
PC77	chip resistor	DC 05K561ET
PC05	chip resistor	ED 16QEV561V
PC05	chip resistor	CP1/10561EV
PC05	chip resistor	DC 05K561ET
PC100	chip resistor	ED 16QEV561V
PC100	chip resistor	CP1/10561EV
PC100	chip resistor	DC 05K561ET
PC103	chip resistor	ED 16QEV561V
PC103	chip resistor	CP1/10561EV
PC103	chip resistor	DC 05K561ET
PC107	chip resistor	ED 16QEV561V
PC107	chip resistor	CP1/10561EV
PC107	chip resistor	DC 05K561ET
PC111	chip resistor	ED 16QEV561V
PC111	chip resistor	CP1/10561EV
PC111	chip resistor	DC 05K561ET
PC114	chip resistor	ED 16QEV561V
PC114	chip resistor	CP1/10561EV
PC114	chip resistor	DC 05K561ET
PC110	chip resistor	ED 16QEV561V

PE-5 Chassis Service Manual

POSITION	NAME	TYPE
DC110	chip resistor	CP1/10561EV
DC110	chip resistor	DC 05K561ET
DC122	chip resistor	ED 16QEVE561V
DC122	chip resistor	CP1/10561EV
DC122	chip resistor	DC 05K561ET
DC126	chip resistor	ED 16QEVE561V
DC126	chip resistor	CP1/10561EV
DC126	chip resistor	DC 05K561ET
DC130	chip resistor	ED 16QEVE561V
DC130	chip resistor	CP1/10561EV
DC130	chip resistor	DC 05K561ET
DC132	chip resistor	ED 16QEVE561V
RC132	chip resistor	CP1/10561EV
DC132	chip resistor	DC 05K561ET
DC71	chip resistor	DC 05K621 IT
DC71	chip resistor	DC 05K621ET
DC75	chip resistor	DC 05K102 IT
RC75	chip resistor	RC 05K102ET
DC61	chip resistor	DC 05K222 IT
DC61	chip resistor	DC 05K222ET
DC152	chip resistor	DC 05K000 IT
DC152	chip resistor	DC 05K000 IT
DC71	chip resistor	DC 05K202 IT
DC71	chip resistor	DC 05K202ET
DC41	chip resistor	CP1/10472 IV
RC41	chip resistor	RC 05K472 IT
DC42	chip resistor	CP1/10472 IV
DC42	chip resistor	DC 05K472 IT
DC45	chip resistor	CP1/10472 IV
DC45	chip resistor	DC 05K472 IT
RC46	chip resistor	CP1/10472 IV
DC46	chip resistor	DC 05K472 IT
DC50	chip resistor	CP1/10472 IV
DC50	chip resistor	DC 05K472 IT
DC51	chip resistor	CP1/10512 IV
RC51	chip resistor	RC 05K512 IT
DC52	chip resistor	CP1/10512 IV
DC52	chip resistor	DC 05K512 IT
DC58	chip resistor	CP1/10512 IV
DC58	chip resistor	DC 05K512 IT

PE-5 Chassis Service Manual

POSITION	NAME	TYPE
DC02	chin resistor	ED 16GEVE102V
DC02	chin resistor	CD1/10103EV
DC02	chin resistor	DC 05K103ET
DC05	chin resistor	ED 16GEVE102V
DC05	chin resistor	CD1/10103EV
DC05	chin resistor	DC 05K103ET
DC06	chin resistor	ED 16GEVE102V
DC06	chin resistor	CD1/10103EV
DC06	chin resistor	DC 05K103ET
DC07	chin resistor	ED 16GEVE102V
DC07	chin resistor	CD1/10103EV
DC07	chin resistor	DC 05K103ET
DC21	chin resistor	ED 16GEVE102V
DC21	chin resistor	CD1/10103EV
DC21	chin resistor	DC 05K103ET
DC26	chin resistor	ED 16GEVE102V
DC26	chin resistor	CD1/10103EV
DC26	chin resistor	DC 05K103ET
DC32	chin resistor	ED 16GEVE102V
DC32	chin resistor	CD1/10103EV
DC32	chin resistor	DC 05K103ET
DC35	chin resistor	ED 16GEVE102V
DC35	chin resistor	CD1/10103EV
DC35	chin resistor	DC 05K103ET
DC37	chin resistor	ED 16GEVE102V
DC37	chin resistor	CD1/10103EV
DC37	chin resistor	DC 05K103ET
DC30	chin resistor	ED 16GEVE102V
DC30	chin resistor	CD1/10103EV
DC30	chin resistor	DC 05K103ET
DC17	chin resistor	ED 16GEVE102V
DC17	chin resistor	CD1/10103EV
DC17	chin resistor	DC 05K103ET
DC60	chin resistor	ED 16GEVE102V
DC60	chin resistor	CD1/10103EV
DC60	chin resistor	DC 05K103ET
DC63	chin resistor	ED 16GEVE102V
DC63	chin resistor	CD1/10103EV
DC63	chin resistor	DC 05K103ET
DC65	chin resistor	ED 16GEVE102V

PE-5 Chassis Service Manual

POSITION	NAME	TYPE
DC65	chip resistor	CP1/10103EV
DC65	chip resistor	DC 05K103ET
DC70	chip resistor	ED I6GEVE102V
DC70	chip resistor	CP1/10103EV
DC70	chip resistor	DC 05K103ET
DC72	chip resistor	ED I6GEVE102V
DC72	chip resistor	CP1/10103EV
DC72	chip resistor	DC 05K103ET
DC70	chip resistor	ED I6GEVE102V
DC70	chip resistor	CP1/10103EV
DC70	chip resistor	DC 05K103ET
DC06	chip resistor	ED I6GEVE102V
RC06	chip resistor	CP1/10103EV
DC06	chip resistor	DC 05K103ET
DC08	chip resistor	ED I6GEVE102V
DC08	chip resistor	CP1/10103EV
DC08	chip resistor	DC 05K103ET
RC00	chip resistor	ED I6GEVE102V
DC00	chip resistor	CP1/10103EV
DC00	chip resistor	DC 05K103ET
DC101	chip resistor	ED I6GEVE102V
DC101	chip resistor	CP1/10103EV
DC101	chip resistor	DC 05K103ET
DC102	chip resistor	ED I6GEVE102V
DC102	chip resistor	CP1/10103EV
RC102	chip resistor	DC 05K103ET
DC104	chip resistor	ED I6GEVE102V
DC104	chip resistor	CP1/10103EV
DC104	chip resistor	DC 05K103ET
DC105	chip resistor	ED I6GEVE102V
RC105	chip resistor	CP1/10103EV
DC105	chip resistor	DC 05K103ET
DC108	chip resistor	ED I6GEVE102V
DC108	chip resistor	CP1/10103EV
DC108	chip resistor	DC 05K103ET
RC112	chip resistor	ED I6GEVE102V
DC112	chip resistor	CP1/10103EV
DC112	chip resistor	DC 05K103ET
DC115	chip resistor	ED I6GEVE102V
DC115	chip resistor	CP1/10103EV

PE-5 Chassis Service Manual

POSITION	NAME	TYPE
DC115	chin resistor	DC 05K103ET
DC116	chin resistor	ED 16GEVE103V
DC116	chin resistor	CP1/10103EV
DC116	chin resistor	DC 05K103ET
DC117	chin resistor	ED 16GEVE103V
DC117	chin resistor	CP1/10103EV
DC117	chin resistor	DC 05K103ET
DC118	chin resistor	ED 16GEVE103V
DC118	chin resistor	CP1/10103EV
DC118	chin resistor	DC 05K103ET
DC120	chin resistor	ED 16GEVE103V
DC120	chin resistor	CP1/10103EV
RC120	chin resistor	RC 05K103ET
DC121	chin resistor	ED 16GEVE103V
DC121	chin resistor	CP1/10103EV
DC121	chin resistor	DC 05K103ET
DC122	chin resistor	ED 16GEVE103V
RC122	chin resistor	CP1/10103EV
DC122	chin resistor	DC 05K103ET
DC124	chin resistor	ED 16GEVE103V
DC124	chin resistor	CP1/10103EV
DC124	chin resistor	DC 05K103ET
DC127	chin resistor	ED 16GEVE103V
DC127	chin resistor	CP1/10103EV
DC127	chin resistor	DC 05K103ET
RC133	chin resistor	ER 16GEVE103V
DC133	chin resistor	CP1/10103EV
DC133	chin resistor	DC 05K103ET
DC135	chin resistor	ED 16GEVE103V
DC135	chin resistor	CP1/10103EV
RC135	chin resistor	RC 05K103ET
DC137	chin resistor	ED 16GEVE103V
DC137	chin resistor	CP1/10103EV
DC137	chin resistor	DC 05K103ET
DC144	chin resistor	ED 16GEVE103V
RC144	chin resistor	CP1/10103EV
DC144	chin resistor	DC 05K103ET
DC75	chin resistor	CP1/10273 IV
DC75	chin resistor	DC 05K273 IT
DC131	chin resistor	ED 16GEVE823V

PE-5 Chassis Service Manual

POSITION	NAME	TYPE
RC131	chip resistor	CD1/10823EV
RC131	chip resistor	DC 05K232ET
RC04	chip resistor	ED I6CEVE823V
RC04	chip resistor	CD1/10823EV
RC04	chip resistor	DC 05K232ET
RC106	chip resistor	ED I6CEVE823V
RC106	chip resistor	CD1/10823EV
RC106	chip resistor	DC 05K232ET
RC110	chip resistor	ED I6CEVE823V
RC110	chip resistor	CD1/10823EV
RC110	chip resistor	DC 05K232ET
RC125	chip resistor	ED I6CEVE823V
RC125	chip resistor	CD1/10823EV
RC125	chip resistor	DC 05K232ET
RC120	chip resistor	ED I6CEVE823V
RC120	chip resistor	CD1/10823EV
RC120	chip resistor	DC 05K232ET
RC68	chip resistor	ED I6CEVE473V
RC68	chip resistor	CD1/10473EV
RC68	chip resistor	DC 05K473ET
RC33	chip resistor	ED I6CEV 1104V
RC33	chip resistor	CD1/10104 IV
RC33	chip resistor	DC 05K104 IT
RC72	chip resistor	ED I6CEV 1104V
RC72	chip resistor	CD1/10104 IV
RC72	chip resistor	DC 05K104 IT
RC04	chip resistor	ED I6CEV 1225V
RC04	chip resistor	CD1/10225 IV
RC04	chip resistor	DC 05K225 IT
CC34	chip capacitor	0805CC100 1500NT
CC41	chip capacitor	0805CC100 1500NT
CC50	chip capacitor	0805CC100 1500NT
CC58	chip capacitor	0805CC100 1500NT
CC63	chip capacitor	0805CC100 1500NT
CC71	chip capacitor	0805CC100 1500NT
CC80	chip capacitor	0805CC100 1500NT
CC85	chip capacitor	0805CC100 1500NT
CC04	chip capacitor	0805CC100 1500NT
CC00	chip capacitor	0805CC100 1500NT
CC104	chip capacitor	0805CC100 1500NT

PE-5 Chassis Service Manual

POSITION	NAME	TYPE
CC100	chip capacitor	0805CG100 1500NT
CC114	chip capacitor	0805CG100 1500NT
CC116	chip capacitor	0805CG100 1500NT
CC05	chip capacitor	GDMM0CH330 150DT
CC05	chip capacitor	0805CG330 1500NT
CC09	chip capacitor	GDMM0CH330 150DT
CC09	chip capacitor	0805CG330 1500NT
CC08	chip capacitor	GDMM0R102K50DT
CC08	chip capacitor	0805CG102 1500NT
CC11	chip capacitor	GDMM0R102K50DT
CC11	chip capacitor	0805CG102 1500NT
CC10	chip capacitor	GDMM0R102K50DT
CC10	chip capacitor	0805CG102 1500NT
CC62	chip capacitor	GDMM0R102K50DT
CC62	chip capacitor	0805CG102 1500NT
CC64	chip capacitor	GDMM0R102K50DT
CC64	chip capacitor	0805CG102 1500NT
CC03	chip capacitor	GDMM0R102K50DT
CC03	chip capacitor	0805CG102 1500NT
CC07	chip capacitor	GDMM0R102K50DT
CC07	chip capacitor	0805CG102 1500NT
CC08	chip capacitor	GDMM0R102K50DT
CC08	chip capacitor	0805CG102 1500NT
CC124	chip capacitor	0805CG104 7500NT
CC125	chip capacitor	0805CG104 7500NT
CC07	chip capacitor	0805CG2237500NT
CC03	chip capacitor	0805CG104 1500NT
CC04	chip capacitor	0805CG104 1500NT
CC10	chip capacitor	0805CG104 1500NT
CC12	chip capacitor	0805CG104 1500NT
CC16	chip capacitor	0805CG104 1500NT
CC17	chip capacitor	0805CG104 1500NT
CC18	chip capacitor	0805CG104 1500NT
CC22	chip capacitor	0805CG104 1500NT
CC23	chip capacitor	0805CG104 1500NT
CC24	chip capacitor	0805CG104 1500NT
CC25	chip capacitor	0805CG104 1500NT
CC31	chip capacitor	0805CG104 1500NT
CC33	chip capacitor	0805CG104 1500NT
CC35	chip capacitor	0805CG104 1500NT

PE-5 Chassis Service Manual

POSITION	NAME	TYPE
CC14	chip capacitor	0805CG104 1500NT
CC15	chip capacitor	0805CG104 1500NT
CC18	chip capacitor	0805CG104 1500NT
CC51	chip capacitor	0805CG104 1500NT
CC53	chip capacitor	0805CG104 1500NT
CC55	chip capacitor	0805CG104 1500NT
CC59	chip capacitor	0805CG104 1500NT
CC60	chip capacitor	0805CG104 1500NT
CC65	chip capacitor	0805CG104 1500NT
CC70	chip capacitor	0805CG104 1500NT
CC72	chip capacitor	0805CG104 1500NT
CC73	chip capacitor	0805CG104 1500NT
CC79	chip capacitor	0805CG104 1500NT
CC82	chip capacitor	0805CG104 1500NT
CC83	chip capacitor	0805CG104 1500NT
CC88	chip capacitor	0805CG104 1500NT
CC89	chip capacitor	0805CG104 1500NT
CC90	chip capacitor	0805CG104 1500NT
CC92	chip capacitor	0805CG104 1500NT
CC95	chip capacitor	0805CG104 1500NT
CC101	chip capacitor	0805CG104 1500NT
CC103	chip capacitor	0805CG104 1500NT
CC110	chip capacitor	0805CG104 1500NT
CC118	chip capacitor	0805CG104 1500NT
CC119	chip capacitor	0805CG104 1500NT
CC36	polyester film cap	CI 21Y 50V 1000PF I
CC52	polyester film cap	CI 21Y 50V 1000PF I
CC68	polyester film cap	CI 21Y 50V 1000PF I
CC74	polyester film cap	CI 21Y 50V 1000PF I
CC96	polyester film cap	CI 21Y 50V 1000PF I
CC104	polyester film cap	CI 21Y 50V 1000PF I
CC106	polyester film cap	CI 21Y 50V 1000PF I
CC10	polyester film cap	CI 21Y 50V 1500PF I
CC57	polyester film cap	CI 21Y 50V 1500PF I
CC78	polyester film cap	CI 21Y 50V 1500PF I
CC84	polyester film cap	CI 21Y 50V 1500PF I
CC108	polyester film cap	CI 21Y 50V 1500PF I
CC113	polyester film cap	CI 21Y 50V 1500PF I
CC115	polyester film cap	CI 21Y 50V 1500PF I
CC39	polyester film cap	CI 21Y 50V 5600PF I

PE-5 Chassis Service Manual

POSITION	NAME	TYPE
CC56	polyester film ca	CI 21Y 50V 5600DE I
CC75	polyester film ca	CI 21Y 50V 5600DE I
CC81	polyester film ca	CI 21Y 50V 5600DE I
CC100	polyester film ca	CI 21Y 50V 5600DE I
CC111	polyester film ca	CI 21Y 50V 5600DE I
CC112	polyester film ca	CI 21Y 50V 5600DE I
CC17	polyester film ca	CI 21Y 50V 0.022uEK
CC120	chip capacitor	0805R104K500NT
CC06	aluminium electr	CD110Y 16V 47 u EM
CC15	aluminium electr	CD110Y 16V 47 u EM
CC21	aluminium electr	CD110Y 16V 47 u EM
CC26	aluminium electr	CD110Y 16V 47 u EM
CC27	aluminium electr	CD110Y 16V 47 u EM
CC28	aluminium electr	CD110Y 16V 47 u EM
CC29	aluminium electr	CD110Y 16V 47 u EM
CC42	aluminium electr	CD110Y 16V 47 u EM
CC51	aluminium electr	CD110Y 16V 47 u EM
CC61	aluminium electr	CD110Y 16V 47 u EM
CC66	aluminium electr	CD110Y 16V 47 u EM
CC67	aluminium electr	CD110Y 16V 47 u EM
CC69	aluminium electr	CD110Y 16V 47 u EM
CC76	aluminium electr	CD110Y 16V 47 u EM
CC77	aluminium electr	CD110Y 16V 47 u EM
CC86	aluminium electr	CD110Y 16V 47 u EM
CC87	aluminium electr	CD110Y 16V 47 u EM
CC91	aluminium electr	CD110Y 16V 47 u EM
CC13	aluminium electr	CD110Y 16V 100 u EM
CC14	aluminium electr	CD110Y 16V 100 u EM
CC19	aluminium electr	CD110Y 16V 100 u EM
CC20	aluminium electr	CD110Y 16V 100 u EM
CC30	aluminium electr	CD110Y 16V 100 u EM
CC32	aluminium electr	CD110Y 16V 100 u EM
CC37	aluminium electr	CD110Y 16V 100 u EM
CC38	aluminium electr	CD110Y 16V 100 u EM
CC43	aluminium electr	CD110Y 16V 100 u EM
CC46	aluminium electr	CD110Y 16V 100 u EM
CC105	aluminium electr	CD110Y 16V 100 u EM
CC117	aluminium electr	CD110Y 16V 100 u EM
CS06	aluminium electr	CD110Y 16V 100 u EM
CS09	aluminium electr	CD110Y 16V 100 u EM

PE-5 Chassis Service Manual

POSITION	NAME	TYPE
LC01	fixed inductor	LC8A0204 1 // HK
LC02	fixed inductor	LC8A0204 1 // HK
LC03	fixed inductor	LC8A0204 1 // HK
LC04	fixed inductor	LC8A0204 1 // HK
LC05	fixed inductor	LC8A0204 1 // HK
ZC01	Crystal resonator	1A18AS 24MHZ
VCO2	triode	2SC1815 V
VCO3	triode	2SC1815 V
VCO4	triode	DM1204
NC11	IC	//DC1570C2 E1
NC12	IC	//DC1570C2 E1
NC13	IC	//DC1570C2 E1
NC14	IC	//DC1570C2 E1
NC15	IC	//DC1570C2 E1
NC16	IC	//DC1570C2 E1
NC17	IC	//DC1570C2 E1
NC05	IC	IE33ABDT
NC06	IC	IE33ABDT
NC07	IC	IE33ABDT
NC08	IC	MC78M05COT
NC03	IC	M24C64 RN6
NC04	IC	M24C64 RN6
NC01	IC	MC68HC0081 D64
NC02	IC	CM0021AE
NC08	IC	CD0031AM

6. Part on Sensor Processing PC

POSITION	NAME	TYPE
		Part on Sensor Processing PC
DS04	carbon film resi	DT13 0 166W 1K 0 I
DS06	carbon film resi	DT13 0 166W 1K 0 I
DS07	carbon film resi	DT13 0 166W 1K 0 I
DS08	carbon film resi	DT13 0 166W 1K 0 I
DS10	carbon film resi	DT13 0 166W 1K 0 I
DS21	carbon film resi	DT13 0 166W 1K 0 I
DS22	carbon film resi	DT13 0 166W 1K 0 I
RS24	carbon film resi	RT13 0 166W 1K 0 I
DS23	carbon film resi	DT13 0 166W 1K 0 I
DS24	carbon film resi	DT13 0 166W 1K 0 I
WS12	carbon film resi	DT13 0 166W 1K 0 I
DS01	carbon film resi	DT13 0 166W 10K 0 I
RS02	carbon film resi	RT13 0 166W 10K 0 I
DS11	carbon film resi	DT13 0 166W 10K 0 I
DS12	carbon film resi	DT13 0 166W 10K 0 I
DS13	carbon film resi	DT13 0 166W 10K 0 I
DS14	carbon film resi	DT13 0 166W 10K 0 I
DS17	carbon film resi	DT13 0 166W 10K 0 I
DS18	carbon film resi	DT13 0 166W 10K 0 I
DS27	carbon film resi	DT13 0 166W 10K 0 I
RS28	carbon film resi	RT13 0 166W 10K 0 I
DS30	carbon film resi	DT13 0 166W 10K 0 I
DS31	carbon film resi	DT13 0 166W 10K 0 I
DS15	carbon film resi	DT13 0 166W 4 3K 0 I
DS16	carbon film resi	DT13 0 166W 4 3K 0 I
RS20	carbon film resi	RT13 0 166W 4 3K 0 I
DS22	carbon film resi	DT13 0 166W 4 3K 0 I
DS03	carbon film resi	DT13 0 166W 300K 0 I
DS05	carbon film resi	DT13 0 166W 300K 0 I
DS20	carbon film resi	DT13 0 166W 300K 0 I
RS22	carbon film resi	RT13 0 166W 300K 0 I
DS25	metal oxide film	D 114 0 25W 10M 0 I
DS26	metal oxide film	D 114 0 25W 10M 0 I
DS27	metal oxide film	D 114 0 25W 10M 0 I
DS28	metal oxide film	D 114 0 25W 10M 0 I
CS03	ceramic capacitor	CC1 63V 06a SI 100PF I
CS13	ceramic capacitor	CC1 63V 06a SI 100PF I
CS14	ceramic capacitor	CC1 63V 06a SI 100PF I

PE-5 Chassis Service Manual

POSITION	NAME	TYPE
CS17	ceramic capacitor	CC1 50V 0.05 SI 100PF I
CS01	polyester film ca	CI 21Y 50V 0.1 II E I
CS02	polyester film ca	CI 21Y 50V 0.1 II E I
CS04	polyester film ca	CI 21Y 50V 0.1 II E I
CS05	polyester film ca	CI 21Y 50V 0.1 II E I
CS07	polyester film ca	CI 21Y 50V 0.1 II E I
CS08	polyester film ca	CI 21Y 50V 0.1 II E I
CS10	polyester film ca	CI 21Y 50V 0.1 II E I
CS11	polyester film ca	CI 21Y 50V 0.1 II E I
CS12	polyester film ca	CI 21Y 50V 0.1 II E I
LS01	fixed inductor	L GA0307 22 II HK
VD01	diode	1N4148
VD02	diode	1N4148
VD03	diode	1N4148
VD04	diode	1N4148
VD05	diode	1N4148
VD06	diode	1N4148
VD07	diode	1N4148
VD08	diode	1N4148
VD00	diode	W0575 1R
VS01	triode	2SC1815 V
VS02	triode	2SC1815 V
VS03	triode	2SC1815 V
VS04	triode	2SC1815 V
NS01	IC	1 M358N
NS02	IC	1 M358N
NS03	IC	1 M358N
NS04	IC	1 M358N
DS01	diode	RDW24C

7. Parts on TEXT PCB

POSITION	NAME	TYPC
D1	chip resistor	DC 05K101 IT
D2	chip resistor	DC 05K101 IT
D3	chip resistor	DC 05K101 IT
D12	chip resistor	DC 05K101 IT
D15	chip resistor	DC 05K101 IT
D7	chip resistor	DC 05K562 IT
D8	chip resistor	DC 05K562 IT
D5	chip resistor	DC 05K103 IT
D6	chip resistor	DC 05K103 IT
D4	chip resistor	DC 05K103 IT
D10	chip resistor	DC 05K103 IT
D11	chip resistor	DC 05K103 IT
D9	chip resistor	DC 05K153 IT
C1	chip capacitor	0805CG300 1500NT
C2	chip capacitor	0805CG300 1500NT
C17	chip capacitor	0805CG300 1500NT
C24	chip capacitor	0805CG300 1500NT
C25	chip capacitor	0805CG300 1500NT
C17	chip capacitor	0805CG220 1500NT
C13	chip capacitor	0805CG820 1500NT
C19	chip capacitor	0805CG222 1500NT
C15	chip capacitor	0805CG472 1500NT
C16	chip capacitor	0805CG472 1500NT
C8	chip capacitor	0805CB103 1500NT
C20	chip capacitor	0805CB103 1500NT
C21	chip capacitor	0805CB103 1500NT
C10	chip capacitor	0805E1047500NT
C11	chip capacitor	0805E1047500NT
C22	chip capacitor	0805E1047500NT
C23	chip capacitor	0805E1047500NT
C7	chip capacitor	0805E1047500NT
C9	chip capacitor	0805E1047500NT
C14	chip capacitor	0805E1747500NT
C3	chip capacitor	CD110Y 25V 1 7UF
C5	chip capacitor	CD110Y 25V 1 7UF
C4	chip capacitor	CD110Y 25V 1 7UF
C6	chip capacitor	CD110Y 25V 1 7UF
C12	aluminium electr	CD11C 16V 10 μ EM
L2	chip inductor	CM16081 12D2KT

PE-5 Chassis Service Manual

POSITION	NAME	TYPE
L1	chir inductor	CM116081 I2D2KT
L1	chir inductor	LCAN207 10114K
D1	chir diode	DI S111R
Q1	chir triode	MMBT2004
Y1	Crystal resonator	1A18AS 16MHZ
Y2	Crystal resonator	1A18AS 1MHZ
U11	IC	ST09D105
U12	IC	M68AEE11A1 55MC1
U13	IC	
U14	IC	M27C1001 10E1
U15	IC	M71HC01MID
U16	IC	M71HC20MID
U17	IC	24C02N
U18	IC	D871 DC761RD

8. Parts on AV PCB

POSITION	NAME	TYPE
		Parts on AV PCB
R916	carbon film resi	RT13-0.166W-75 Ω J
R923	carbon film resi	RT13-0.166W-75 Ω J
R925	carbon film resi	RT13-0.166W-75 Ω J
R926	carbon film resi	RT13-0.166W-75 Ω J
R966	carbon film resi	RT13-0.166W-75 Ω J
R967	carbon film resi	RT13-0.166W-75 Ω J
R971	carbon film resi	RT13-0.166W-75 Ω J
R975	carbon film resi	RT13-0.166W-75 Ω J
R976	carbon film resi	RT13-0.166W-75 Ω J
R977	carbon film resi	RT13-0.166W-75 Ω J
R981	carbon film resi	RT13-0.166W-75 Ω J
R904	carbon film resi	RT13-0.166W-75 Ω J
R911	carbon film resi	RT13-0.166W-75 Ω J
R902	carbon film resi	RT13-0.166W-100 Ω J
R903	carbon film resi	RT13-0.166W-100 Ω J
R931	carbon film resi	RT13-0.166W-100 Ω J
R937	carbon film resi	RT13-0.166W-100 Ω J
R939	carbon film resi	RT13-0.166W-100 Ω J
R941	carbon film resi	RT13-0.166W-100 Ω J
R962	carbon film resi	RT13-0.166W-100 Ω J
R963	carbon film resi	RT13-0.166W-100 Ω J
R964	carbon film resi	RT13-0.166W-100 Ω J
R983	carbon film resi	RT13-0.166W-100 Ω J
R984	carbon film resi	RT13-0.166W-100 Ω J
R965	carbon film resi	RT13-0.166W-100 Ω J
R918	carbon film resi	RT13-0.166W-180 Ω J
R919	carbon film resi	RT13-0.166W-180 Ω J
R920	carbon film resi	RT13-0.166W-180 Ω J
R910	carbon film resi	RT13-0.166W-180 Ω J
R942	carbon film resi	RT13-0.166W-220 Ω J
R943	carbon film resi	RT13-0.166W-220 Ω J
R944	carbon film resi	RT13-0.166W-220 Ω J
R945	carbon film resi	RT13-0.166W-220 Ω J
R986	carbon film resi	RT13-0.166W-220 Ω J
R989	carbon film resi	RT13-0.166W-220 Ω J
R990	carbon film resi	RT13-0.166W-220 Ω J
R991	carbon film resi	RT13-0.166W-220 Ω J
R992	carbon film resi	RT13-0.166W-220 Ω J
R993	carbon film resi	RT13-0.166W-220 Ω J
R997	carbon film resi	RT13-0.166W-220 Ω J
R932	carbon film resi	RT13-0.166W-220 Ω J
R935	carbon film resi	RT13-0.166W-220 Ω J
R927	carbon film resi	RT13-0.166W-470 Ω J

POSITION	NAME	TYPE
R928	carbon film resi	RT13-0.166W-470 Ω J
R968	carbon film resi	RT13-0.166W-470 Ω J
R970	carbon film resi	RT13-0.166W-470 Ω J
R973	carbon film resi	RT13-0.166W-470 Ω J
R978	carbon film resi	RT13-0.166W-470 Ω J
R979	carbon film resi	RT13-0.166W-470 Ω J
R982	carbon film resi	RT13-0.166W-470 Ω J
R957	carbon film resi	RT13-0.166W-1K Ω J
R958	carbon film resi	RT13-0.166W-1K Ω J
R959	carbon film resi	RT13-0.166W-1K Ω J
R961	carbon film resi	RT13-0.166W-1K Ω J
R988	carbon film resi	RT13-0.166W-1K Ω J
R999	carbon film resi	RT13-0.166W-1K Ω J
R938	carbon film resi	RT13-0.166W-1K Ω J
R934	carbon film resi	RT13-0.166W-1K Ω J
R952	carbon film resi	RT13-0.166W-2.2K Ω J
R953	carbon film resi	RT13-0.166W-2.2K Ω J
R954	carbon film resi	RT13-0.166W-2.2K Ω J
R960	carbon film resi	RT13-0.166W-2.2K Ω J
R987B	carbon film resi	RT13-0.166W-2.2K Ω J
R998B	carbon film resi	RT13-0.166W-2.2K Ω J
R934A	carbon film resi	RT13-0.166W-2.2K Ω J
R938A	carbon film resi	RT13-0.166W-2.2K Ω J
R946	carbon film resi	RT13-0.166W-5.6K Ω J
R947	carbon film resi	RT13-0.166W-5.6K Ω J
R948	carbon film resi	RT13-0.166W-5.6K Ω J
R949	carbon film resi	RT13-0.166W-5.6K Ω J
R950	carbon film resi	RT13-0.166W-5.6K Ω J
R951	carbon film resi	RT13-0.166W-5.6K Ω J
R955	carbon film resi	RT13-0.166W-5.6K Ω J
R956	carbon film resi	RT13-0.166W-5.6K Ω J
R987	carbon film resi	RT13-0.166W-5.6K Ω J
R987A	carbon film resi	RT13-0.166W-5.6K Ω J
R998	carbon film resi	RT13-0.166W-5.6K Ω J
R998A	carbon film resi	RT13-0.166W-5.6K Ω J
R933	carbon film resi	RT13-0.166W-5.6K Ω J
R933A	carbon film resi	RT13-0.166W-5.6K Ω J
R936	carbon film resi	RT13-0.166W-5.6K Ω J
R936A	carbon film resi	RT13-0.166W-5.6K Ω J
R915	carbon film resi	RT13-0.166W-22K Ω J
R917	carbon film resi	RT13-0.166W-22K Ω J
R924	carbon film resi	RT13-0.166W-22K Ω J
R906	carbon film resi	RT13-0.166W-22K Ω J
R912	carbon film resi	RT13-0.166W-47K Ω J
R914	carbon film resi	RT13-0.166W-47K Ω J

POSITION	NAME	TYPE
R909	carbon film resi	RT13-0.166W-47K Ω J
R929	carbon film resi	RT13-0.166W-1M Ω J
R930	carbon film resi	RT13-0.166W-1M Ω J
R931A	carbon film resi	RT13-0.166W-1M Ω J
R937A	carbon film resi	RT13-0.166W-1M Ω J
R969	carbon film resi	RT13-0.166W-1M Ω J
R974	carbon film resi	RT13-0.166W-1M Ω J
R972	carbon film resi	RT13-0.166W-1M Ω J
R980	carbon film resi	RT13-0.166W-1M Ω J
R983A	carbon film resi	RT13-0.166W-1M Ω J
R984A	carbon film resi	RT13-0.166W-1M Ω J
R901	metal oxide film	RY21-0.5W-8.2 Ω J
C938	ceramic capacito	CC1-63V-06A-C-2PFC
C939	ceramic capacito	CC1-63V-06A-C-2PFC
C933	ceramic capacito	CC1-63V-06a-SL-56PFJ
C934	ceramic capacito	CC1-63V-06a-SL-56PFJ
C959	ceramic capacito	CT1-63V-06a-2B4-330PFK
C963	ceramic capacito	CT1-63V-06a-2B4-330PFK
C964	ceramic capacito	CT1-63V-06a-2B4-330PFK
C965	ceramic capacito	CT1-63V-06a-2B4-330PFK
C966	ceramic capacito	CT1-63V-06a-2B4-330PFK
C967	ceramic capacito	CT1-63V-06a-2B4-330PFK
C972	ceramic capacito	CT1-63V-06a-2B4-330PFK
C973	ceramic capacito	CT1-63V-06a-2B4-330PFK
C942	ceramic capacito	CT1-63V-06a-2B4-470PFK
C920	ceramic capacito	CT1-63V-06a-2B4-1000PFK
C922	ceramic capacito	CT1-63V-06a-2B4-1000PFK
C923	ceramic capacito	CT1-63V-06a-2B4-1000PFK
C924	ceramic capacito	CT1-63V-06a-2B4-1000PFK
C975	ceramic capacito	CT1-63V-06a-2B4-1000PFK
C976	ceramic capacito	CT1-63V-06a-2B4-1000PFK
C977	ceramic capacito	CT1-63V-06a-2B4-1000PFK
C978	ceramic capacito	CT1-63V-06a-2B4-1000PFK
C979	ceramic capacito	CT1-63V-06a-2B4-1000PFK
C980	ceramic capacito	CT1-63V-06a-2B4-1000PFK
C981	ceramic capacito	CT1-63V-06a-2B4-1000PFK
C926	polyster film ca	CL21X-50V-1500PFJ
C943	polyster film ca	CL21X-50V-1500PFJ
C954	polyster film ca	CL21X-50V-1500PFJ
C902	polyster film ca	CL21X-63V-0.1 μ FJ
C927	polyster film ca	CL21X-63V-0.1 μ FJ
C929	polyster film ca	CL21X-63V-0.1 μ FJ
C957	polyster film ca	
C974	polyster film ca	
C901	polyster film ca	CL21X-50V-0.22 μ FJ

POSITION	NAME	TYPE
C903	polyster film ca	CL21X-50V-0.22 μ FJ
C904	polyster film ca	CL21X-50V-0.22 μ FJ
C905	polyster film ca	CL21X-50V-0.22 μ FJ
C907	polyster film ca	CL21X-50V-0.22 μ FJ
C908	polyster film ca	CL21X-50V-0.22 μ FJ
C912	polyster film ca	CL21X-50V-0.22 μ FJ
C913	polyster film ca	CL21X-50V-0.22 μ FJ
C946	polyster film ca	CL21X-50V-0.33 μ FJ
C947	polyster film ca	CL21X-50V-0.33 μ FJ
C948	polyster film ca	CL21X-50V-0.33 μ FJ
C949	polyster film ca	CL21X-50V-0.33 μ FJ
C950	polyster film ca	CL21X-50V-0.33 μ FJ
C951	polyster film ca	CL21X-50V-0.33 μ FJ
C952	polyster film ca	CL21X-50V-0.33 μ FJ
C953	polyster film ca	CL21X-50V-0.33 μ FJ
C982	polyster film ca	CL21X-50V-0.33 μ FJ
C983	polyster film ca	CL21X-50V-0.33 μ FJ
C984	polyster film ca	CL21X-50V-0.33 μ FJ
C985	polyster film ca	CL21X-50V-0.33 μ FJ
C918	aluminium electr	CD110X-50V-1 μ FM
C919	aluminium electr	CD110X-50V-1 μ FM
C936	aluminium electr	CD110X-16V-3.3 μ FM
C956	aluminium electr	CD110X-16V-3.3 μ FM
C906	aluminium electr	CD110-16V-10 μ FM
C925	aluminium electr	CD110-16V-10 μ FM
C930	aluminium electr	CD110-16V-10 μ FM
C931	aluminium electr	CD110-16V-10 μ FM
C932	aluminium electr	CD110-16V-10 μ FM
C955	aluminium electr	CD110-16V-10 μ FM
C937	aluminium electr	CD110-16V-22 μ FM
C940	aluminium electr	CD110-16V-22 μ FM
C944	aluminium electr	CD110-16V-22 μ FM
C945	aluminium electr	CD110-16V-22 μ FM
C958	aluminium electr	CD110-16V-22 μ FM
C960	aluminium electr	CD110-16V-22 μ FM
C961	aluminium electr	CD110-16V-22 μ FM
C962	aluminium electr	CD110-16V-22 μ FM
C968	aluminium electr	CD110-16V-22 μ FM
C969	aluminium electr	CD110-16V-22 μ FM
C970	aluminium electr	CD110-16V-22 μ FM
C971	aluminium electr	CD110-16V-22 μ FM
C990	aluminium electr	CD110-16V-22 μ FM
C991	aluminium electr	CD110-16V-22 μ FM
C986	aluminium electr	CD110-16V-22 μ FM
C988	aluminium electr	

POSITION	NAME	TYPE
C909	aluminium electr	CD110X-16V-47 μ FM
C910	aluminium electr	CD110X-16V-47 μ FM
C911	aluminium electr	CD110X-16V-47 μ FM
C914A	aluminium electr	CD110X-16V-47 μ FM
C915	aluminium electr	CD110X-16V-470 μ FM
C916	aluminium electr	CD110X-16V-470 μ FM
C917	aluminium electr	CD110X-16V-470 μ FM
C914	aluminium electr	CD110X-16V-470 μ FM
L901	fixed inductor	LGB0606-10 μ HK
L903	fixed inductor	LGB0606-10 μ HK
L902	cored inductor	TEM2011
L904	cored inductor	TEM2011
L905	cored inductor	TEM2011
L904A	cored inductor	TEM2011
L906	cored inductor	TEM2028K
L907	cored inductor	TEM2028K
L908	cored inductor	TEM2028K
L909	cored inductor	TEM2028K
L910	cored inductor	TEM2028K
L912	cored inductor	TEM2028K
L913	cored inductor	TEM2028K
L914	cored inductor	TEM2028K
L915	cored inductor	TEM2028K
L916	cored inductor	TEM2028K
L917	cored inductor	TEM2028K
L918	cored inductor	TEM2028K
L919	cored inductor	TEM2028K
L920	cored inductor	TEM2028K
L921	cored inductor	TEM2028K
L922	cored inductor	TEM2028K
L923	cored inductor	TEM2028K
L924	cored inductor	TEM2028K
L925	cored inductor	TEM2028K
L926	cored inductor	TEM2028K
L927	cored inductor	TEM2028K
L928	cored inductor	TEM2028K
VD901	Diode	W05Z10B
V902	Triode	2SC1815-Y
V903	Triode	2SC1815-Y
V905	Triode	2SC1815-Y
V906	Triode	2SC1815-Y
V907	Triode	2SC1815-Y
V908	Triode	2SC1815-Y
V910	Triode	2SC1815-Y
V909	Triode	2SC1815-Y

POSITION	NAME	TYPE
V911	Triode	2SC1815-Y
V904	Triode	2SC1815-Y
V917	Triode	2SC1815-Y
V918	Triode	2SC1815-Y
V912	Triode	2SC1815-Y
V913	Triode	2SC1815-Y
V914	Triode	2SC1815-Y
V915	Triode	2SC1815-Y
V916	Triode	2SC1815-Y
N901	IC	TEA6415C
N902	IC	MSP3413G-B3
N903	IC	HEF4052BP
Z901	Crvstal oscillat	JA18A1-18.432MHZ
SCART1	AV-SCART switch	GCH01-0010
SCART2	AV-SCART switch	GCH01-0010
SCART3	AV-SCART switch	GCH01-0010
CN3	AV terminals	AVW-23-6R
XP906	S-Video terminal	AV-1S-PE5

9. Parts on control of PCB

POSITION	NAME	TYPE
		Parts on control of PCB
RK59	carbon film resi	RT13.0 166W-100 0 I
RK57	carbon film resi	RT13.0 166W-560 0 I
RK51	carbon film resi	RT13.0 166W-820 0 I
RK58	carbon film resi	RT13.0 166W-1K 0 I
RK52	carbon film resi	RT13.0 166W-1 2K 0 I
RK53	carbon film resi	RT13.0 166W-1 8K 0 I
RK60	carbon film resi	RT13.0 166W-2K 0 I
RK54	carbon film resi	RT13.0 166W-3 3K 0 I
RK61	carbon film resi	RT13.0 166W-3 6K 0 I
RK62	carbon film resi	RT13.0 166W-3 6K 0 I
RK63	carbon film resi	RT13.0 166W-4 7K 0 I
RK55	carbon film resi	RT13.0 166W-5 6K 0 I
RK56	carbon film resi	RT13.0 166W-20K 0 I
VDK03	diode	EG5RGD
VDK04	diode	1N4148
VK01	triode	2SC1815-Y
VK02	triode	2SC1815-Y
VK03	triode	2SC1815-Y
KK01	touch of swith	KA1W6X5-41
KK02	touch of swith	KA1W6X5-41
KK03	touch of swith	KA1W6X5-41
KK04	touch of swith	KA1W6X5-41
KK05	touch of swith	KA1W6X5-41
KK06	touch of swith	KA1W6X5-41
CK01	aluminium electr	CD110-50V-4 7 II FM

10. Parts on CRT RGB PCB-G

POSITION	NAME	TYPE
		Parts on CRT RGB PCB-G
RG35	carbon film resi	RT13-0.166W-56 Ω J
RG36	carbon film resi	RT13-0.166W-56 Ω J
RG14	carbon film resi	RT13-0.166W-100 Ω J
RG03	carbon film resi	RT13-0.166W-1K Ω J
RG53	carbon film resi	RT13-0.166W-1K Ω J
RG02	carbon film resi	RT13-0.166W-1.5K Ω J
RG06	carbon film resi	RT13-0.166W-1.5K Ω J
RG52	carbon film resi	RT13-0.166W-2.7K Ω J
RG39	carbon film resi	RT13-0.166W-3.6K Ω J
RG38	carbon film resi	RT13-0.166W-10K Ω J
RG51	carbon film resi	RT13-0.166W-10K Ω J
RG11	metal oxide film	RY21-1W-68K Ω J
RG01A	carbon film resi	RT13-0.166W-100K Ω J
RG17A	metal oxide film	RY21-0.5W-3.9K Ω J
RG20	metal oxide film	RY21-1W-33 Ω J
RG50	metal oxide film	RY21-1W-100K Ω J
RG17	Glass glazed res	RI40-1W-330 Ω J
RG05	Glass glazed res	RI40-0.5W-10K Ω J
CG02	ceramic capacito	CC1-63V-06a-C-2PFC
CG03	ceramic capacito	CC1-63V-06a-C-8PFC
CG04	ceramic capacito	CT1-500V-06a-2B4-470PFK
CG14	ceramic capacito	CT1-500V-06a-2B4-560PFK
CG08	polyster film ca	CL21X-50V-0.022 μ FJ
CG05	polyster film ca	CL21X-50V-0.1 μ FJ
CG11	polyster film ca	CL21X-250V-0.1 μ FJ
CG01	polypropylene ca	CBB81-1.6KV-1800PFJ
CG30	aluminium electr	CD110X-16V-10 μ FM
CG26	aluminium electr	CD110X-16V-470 μ FM
CG27	aluminium electr	CD110X-25V-100 μ FM
CG28	aluminium electr	CD110-50V-0.47 μ FM
CG29	aluminium electr	CD288H-250V-33 μ FM
CG50	aluminium electr	CD288H-250V-10 μ FM
LG17	bushing-type ind	LGA0204-4.7 μ HJ
LG01	bushing-type ind	TEM2011
LG02	bushing-type ind	TEM2011
VDG10	diode	1N4148
VDG10	diode	2CK75D
VDG08	diode	1N4148
VDG08	diode	2CK75D
VDG20	diode	W05Z9.1B
VDG14	diode	MTZJ13A
VDG14	diode	W05Z13A

POSITION	NAME	TYPE
VDG01	diode	2CZRU2
VDG18	diode	BAV21
VG06	triode	BF422
VG05	triode	2SC1815-Y
VG05	triode	3DG1815-Y
VG07	triode	2SC1815-Y
VG07	triode	3DG1815-Y
NG02	IC	TDA6111Q
SG01	GZS CRT socket	GZS10-2-108(B)
		Parts on CRT RGB PCB-B
RB35	carbon film resi	RT13-0.166W-56 Ω J
RB36	carbon film resi	RT13-0.166W-56 Ω J
RB14	carbon film resi	RT13-0.166W-100 Ω J
RB08	carbon film resi	RT13-0.166W-1K Ω J
RB52	carbon film resi	RT13-0.166W-1K Ω J
RB02	carbon film resi	RT13-0.166W-1.5K Ω J
RB05	carbon film resi	RT13-0.166W-1.5K Ω J
RB53	carbon film resi	RT13-0.166W-2.7K Ω J
RB40	carbon film resi	RT13-0.166W-3.6K Ω J
RB39	carbon film resi	RT13-0.166W-10K Ω J
RB51	carbon film resi	RT13-0.166W-10K Ω J
RB11	metal oxide film	RY21-1W-82K Ω J
RB17	Glass glazed res	RI40-1W-330 Ω J
RB17A	metal oxide film	RY21-0.5W-3.9K Ω J
RB20	metal oxide film	RY21-1W-33 Ω J
RB50	metal oxide film	RY21-1W-100K Ω J
RB16	metal oxide film	RI40-0.5W-10K Ω J
CB02	ceramic capacito	CC1-63V-06a-C-2PFC
CB04	ceramic capacito	CT1-500V-06a-2B4-470PFK
CB14	ceramic capacito	CT1-500V-06a-2B4-560PFK
CB08	polyster film ca	CL21X-50V-0.022 μ FJ
CB05	polyster film ca	CL21X-50V-0.1 μ FJ
CB11	polyster film ca	CL21X-250V-0.1 μ FJ
CB39	polypropylene ca	CBB81-1.6KV-1800PFJ
CB30	aluminium electr	CD11C-16V-10 μ FM
CB26	aluminium electr	CD110X-16V-470 μ FM
CB27	aluminium electr	CD110X-25V-100 μ FM
CB28	aluminium electr	CD110X-50V-0.47 μ FM
CB50	aluminium electr	CD288-250V-10 μ FM
CB29	aluminium electr	CD288H-250V-33 μ FM
LB17	bushing-type ind	LGA0204-4.7 μ HJ
LB01	bushing-type ind	TEM2011
LB02	bushing-type ind	TEM2011
VDB10	diode	1N4148
VDB10	diode	2CK75D

POSITION	NAME	TYPE
VDB08	diode	1N4148
VDB08	diode	2CK75D
VDB20	diode	W05Z9.1B
VDB14	diode	MTZJ13A
VDB14	diode	W05Z13A
VDB07	diode	2CZRU2
VDB18	diode	BAV21
VB06	triode	BF422
VB05	triode	2SC1815-Y
VB05	triode	3DG1815-Y
VB07	triode	2SC1815-Y
VB07	triode	3DG1815-Y
NB02	IC	TDA6111Q
SB01	GZS CRT socket	GZS10-2-108(B)
		Parts on CRT RGB PCB-R
RR35	carbon film resi	RT13-0.166W-56 Ω J
RR36	carbon film resi	RT13-0.166W-56 Ω J
RR14	carbon film resi	RT13-0.166W-100 Ω J
RR03	carbon film resi	RT13-0.166W-1K Ω J
RR08	carbon film resi	RT13-0.166W-1K Ω J
RR53	carbon film resi	RT13-0.166W-1K Ω J
RR02	carbon film resi	RT13-0.166W-1.5K Ω J
RR05	carbon film resi	RT13-0.166W-1.5K Ω J
RR52	carbon film resi	RT13-0.166W-2.7K Ω J
RR39	carbon film resi	RT13-0.166W-3.6K Ω J
RR38	carbon film resi	RT13-0.166W-10K Ω J
RR51	carbon film resi	RT13-0.166W-10K Ω J
RR11	metal oxide film	RY21-1W-82K Ω J
RR17	Glass glazed res	RI40-1W-330 Ω J
RR17A	metal oxide film	RY21-0.5W-3.9K Ω J
RR20	metal oxide film	RY21-1W-33 Ω J
RR50	metal oxide film	RY21-1W-100K Ω J
RR16	Glass glazed res	RI40-0.5W-10K Ω J
CR02	ceramic capacito	CC1-63V-06a-C-2PFC
CR03	ceramic capacito	CC1-63V-06a-C-8PFC
CR04	ceramic capacito	CT1-500V-06a-2B4-470PFC
CR14	ceramic capacito	CT1-500V-06a-2B4-560PFC
CR08	polyester film ca	CL21X-50V-0.022 μ FJ
CR05	polyester film ca	CL21X-50V-0.1 μ FJ
CR11	polyester film ca	CL21X-250V-0.1 μ FJ
CR39	polypropylene ca	CBB81-1.6KV-1800PFJ
CR30	aluminium electr	CD110X-16V-10 μ FM
CR17	aluminium electr	CD110X-16V-470 μ FM
CR27	aluminium electr	CD110X-25V-100 μ FM
CR28	aluminium electr	CD110X-50V-0.47 μ FM

POSITION	NAME	TYPE
CR29	aluminium electr	CD288H-250V-33 μ FM
CR18	aluminium electr	CD288-250V-10 μ FM
LR17	bushing-type ind	LGA0204-4.7 μ HJ
LR01	bushing-type ind	TEM2011
LR02	bushing-type ind	TEM2011
VDR10	diode	1N4148
VDR10	diode	2CK75D
VDR08	diode	1N4148
VDR08	diode	2CK75D
VDR20	diode	W05Z9.1B
VDR14	diode	MTZJ13A
VDR14	diode	W05Z13A
VDR04	diode	2CZRU2
VDR18	diode	BAV21
VR06	triode	BF422
VR05	triode	2SC1815-Y
VR05	triode	3DG1815-Y
VR07	triode	2SC1815-Y
VR07	triode	3DG1815-Y
NR02	IC	TDA6111Q
SR01	GZS CRT socket	GZS10-2-108(B)

11. Parts on VM Power AMP PCB-R

POSITION	NAME	TYPC
		Parts on VM Power AMP PCB-R
DDV16	carbon film resi	DT13 0.166W 20 0 I
DDV14	carbon film resi	DT13 0.166W 20 0 I
DDV27	carbon film resi	DT13 0.166W 100 0 I
DDV20	carbon film resi	DT13 0.166W 100 0 I
DDV28	carbon film resi	DT13 0.166W 220 0 I
DDV08	carbon film resi	DT13 0.166W 1.2K 0 I
DDV06	carbon film resi	DT13 0.166W 1.5K 0 I
RRV10	carbon film resi	RT13 0.166W 2.7K 0 I
DDV07	carbon film resi	DT13 0.166W 2.4K 0 I
DDV00	carbon film resi	DT13 0.166W 2.4K 0 I
DDV11	carbon film resi	DT13 0.166W 5.6K 0 I
DDV02	carbon film resi	DT13 0.166W 10K 0 I
RRV03	carbon film resi	RT13 0.166W 10K 0 I
DDV13	carbon film resi	DT13 0.166W 12K 0 I
DDV10	carbon film resi	DT13 0.166W 68K 0 I
DDV11	carbon film resi	DT13 0.166W 68K 0 I
DDV15	metal oxide film	DV21 0.5W 2.7 0 I
DDV17	metal oxide film	DV21 0.5W 2.7 0 I
DDV30	metal oxide film	DV21 0.5W 4.7 0 I
DDV31	metal oxide film	DV21 0.5W 4.7 0 I
RRV18	metal oxide film	DV21 2W 220 0 I
DDV01	metal oxide film	DV21 2W 170 0 I
CDV15	ceramic capacito	CT1 63V 10 ³ 2R1 1700DEK
CDV16	ceramic capacito	CT1 63V 10 ³ 2R1 1700DEK
CDV04	ceramic capacito	CT1 500V 14C 2R1 1700DEK
CDV06	ceramic capacito	CT1 500V 14C 2R1 1700DEK
CDV11	aluminium electr	CD110 35V 220 μ EM
CDV02	aluminium electr	CD110 160V 17 μ EM
CDV05	aluminium electr	CD110 160V 17 μ EM
CDV03	aluminium electr	CD110 250V 10 μ EM
CDV10	aluminium electr	CD110 250V 10 μ EM
LDV01	cored inductor	TEM2011
LDV02	cored inductor	TEM2011
VDDV01	diode	2CK75D
VDDV01	diode	1N4148
VDDV03	diode	2CK75D
VDDV03	diode	1N4148
VDDV05	diode	BV126C

PE-5 Chassis Service Manual

POSITION	NAME	TYPE
V/DV02	triode	2SA1827
V/DV04	triode	2SC1702
V/DV10	triode	2CG1015 V
V/DV10	triode	2SA1015 V
V/DV12	triode	2CG1015 V
V/DV12	triode	2SA1015 V
V/DV11	triode	2SC1815 V
V/DV11	triode	2DC1815 V
V/DV12	triode	2SC1815 V
V/DV12	triode	2DC1815 V
V/DV16	triode	2SC1815 V
V/DV16	triode	2DC1815 V
YRP02	VM coil	021 T11 040
		Parts on VM Power AMP PCB C
DGV16	carbon film resi	DT13 0.166W 20 0 I
DGV14	carbon film resi	DT13 0.166W 20 0 I
DGV27	carbon film resi	DT13 0.166W 100 0 I
RGV20	carbon film resi	RT13 0.166W 100 0 I
DGV07	carbon film resi	DT13 0.166W 2.4K 0 I
DGV08	carbon film resi	DT13 0.166W 2.4K 0 I
DGV00	carbon film resi	DT13 0.166W 2.4K 0 I
DGV06	carbon film resi	DT13 0.166W 1.5K 0 I
DGV10	carbon film resi	DT13 0.166W 2.7K 0 I
DGV28	carbon film resi	DT13 0.166W 220 0 I
DGV11	carbon film resi	DT13 0.166W 5.6K 0 I
RGV02	carbon film resi	RT13 0.166W 10K 0 I
DGV03	carbon film resi	DT13 0.166W 10K 0 I
DGV13	carbon film resi	DT13 0.166W 12K 0 I
DGV10	carbon film resi	DT13 0.166W 68K 0 I
DGV11	carbon film resi	DT13 0.166W 68K 0 I
RGV15	metal oxide film	RV21 0.5W 2.7 0 I
DGV17	metal oxide film	DV21 0.5W 2.7 0 I
DGV30	metal oxide film	DV21 0.5W 4.7 0 I
DGV31	metal oxide film	DV21 0.5W 4.7 0 I
DGV18	metal oxide film	DV21 2W 220 0 I
RGV01	metal oxide film	RV21 2W 470 0 I
CGV15	ceramic capacitor	CT1 63V 10 ⁻² 2R1 1700DEK
CGV16	ceramic capacitor	CT1 63V 10 ⁻² 2R1 1700DEK
CCD04	ceramic capacitor	CT1 500V 14C 2R1 1700DEK
CGV06	ceramic capacitor	CT1 500V 14C 2R1 1700DEK

PE-5 Chassis Service Manual

POSITION	NAME	TYPE
CGV11	aluminium electr	CD110 35V 220 μ EM
CGV02	aluminium electr	CD110 160V 17 μ EM
CGV05	aluminium electr	CD110 160V 17 μ EM
CGV03	aluminium electr	CD110 250V 10 μ EM
CGV10	aluminium electr	CD110 250V 10 μ EM
LCV01	cored inductor	TEM2011
LCV02	cored inductor	TEM2011
VDCV04	diode	2CK75D
VDCV04	diode	1N4148
VDCV03	diode	2CK75D
VDCV03	diode	1N4148
VDCV05	diode	RVV26C
VDCV06	diode	RVV26C
VGV03	triode	2SA1827
VGV04	triode	2SC1702
VGV10	triode	2CG1015 V
VGV10	triode	2SA1015 V
VGV13	triode	2CG1015 V
VGV13	triode	2SA1015 V
VGV11	triode	2SC1815 V
VGV11	triode	2DC1815 V
VGV12	triode	2SC1815 V
VGV12	triode	2DC1815 V
VGV16	triode	2SC1815 V
VGV16	triode	2DC1815 V
YGP02	VM coil	Q2I T11 040
		Parts on VM Power AMP PCB R
DRV16	carbon film resi	DT13 0 166W 20 0 I
DRV14	carbon film resi	DT13 0 166W 20 0 I
DRV27	carbon film resi	DT13 0 166W 100 0 I
DRV20	carbon film resi	RT13 0 166W 100 0 I
DRV07	carbon film resi	DT13 0 166W 2 4K 0 I
DRV08	carbon film resi	DT13 0 166W 2 4K 0 I
DRV00	carbon film resi	DT13 0 166W 2 4K 0 I
DRV06	carbon film resi	DT13 0 166W 1 5K 0 I
DRV10	carbon film resi	RT13 0 166W 2 7K 0 I
DRV28	carbon film resi	DT13 0 166W 220 0 I
DRV11	carbon film resi	DT13 0 166W 5 6K 0 I
DRV02	carbon film resi	DT13 0 166W 10K 0 I
DRV03	carbon film resi	DT13 0 166W 10K 0 I

PE-5 Chassis Service Manual

POSITION	NAME	TYPE
DRV12	carbon film resi	DT12 0.166W 12K 0.1
DRV10	carbon film resi	DT12 0.166W 68K 0.1
DRV11	carbon film resi	DT12 0.166W 68K 0.1
DRV15	metal oxide film	DV21 0.5W 270 1
DRV17	metal oxide film	DV21 0.5W 270 1
DRV20	metal oxide film	DV21 0.5W 470 1
DRV21	metal oxide film	DV21 0.5W 470 1
DRV18	metal oxide film	DV21 2W 220 0.1
DRV01	metal oxide film	DV21 2W 170 0.1
CRV15	ceramic capacito	CT1 63V 10 ⁻² 2R4 1700DEK
CRV16	ceramic capacito	CT1 63V 10 ⁻² 2R4 1700DEK
CRV04	ceramic capacito	CT1 500V 14C 2R4 1700DEK
CRV06	ceramic capacito	CT1 500V 14C 2R4 1700DEK
CRV11	aluminium electr	CD110 35V 220 μ EM
CRV02	aluminium electr	CD110 160V 17 μ EM
CRV05	aluminium electr	CD110 160V 17 μ EM
CRV03	aluminium electr	CD110 250V 10 μ EM
CRV10	aluminium electr	CD110 250V 10 μ EM
LRV01	cored inductor	TEM2011
LRV02	cored inductor	TEM2011
VDRV04	diode	2CK75D
VDRV04	diode	1N4148
VDRV03	diode	2CK75D
VDRV03	diode	1N4148
VDRV05	diode	RVV/26C
VDRV06	diode	RVV/26C
VRV02	triode	2SA1827
VRV04	triode	2SC1702
VRV10	triode	3CG1015 V
VRV10	triode	2SA1015 V
VRV12	triode	3CG1015 V
VRV12	triode	2SA1015 V
VRV11	triode	2SC1815 V
VRV11	triode	3DG1815 V
VRV12	triode	2SC1815 V
VRV12	triode	3DG1815 V
VRV16	triode	2SC1815 V
VRV16	triode	3DG1815 V
YRD02	VM coil	021 T11 0M0