

# **DIAGRAMA DE CIRCUITO**

---

**TELEVISOR EM CORES**

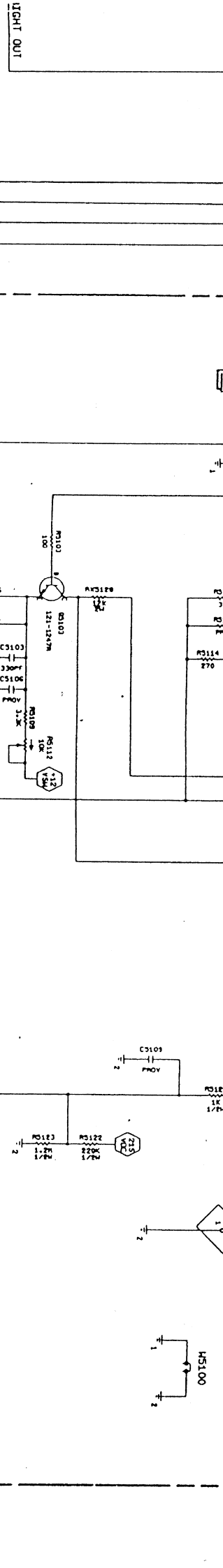
---



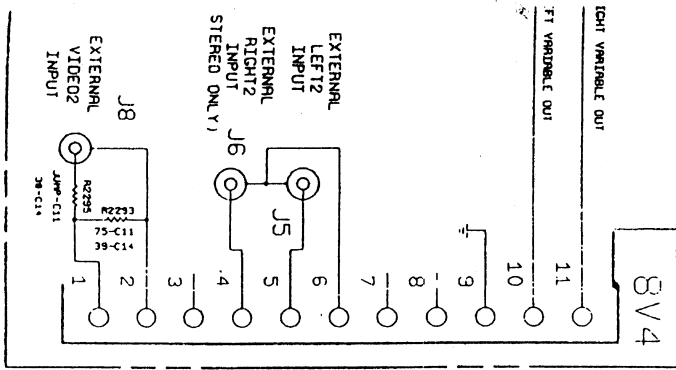
**SAY-2953BT**

---

**ZENITH**



ONLY  
 TERE0 204-2931-02  
 TERE0 204-2931-02  
 TERE0 204-2931-02



VIDEO OUTPUT SECTION BREAKAWAY

ALL DIMENSIONS WITHIN 0.1 INCH UNLESS OTHERWISE INDICATED. ALL SURFACE MOUNTED COMPONENTS.

- 9-1410-01 19/20V-MONO
- 9-1411-01 20V-STEREO
- 9-1412-01 25V-STEREO
- 9-1413-01 27V-STEREO

VIDEO OUTPUT

**IMPORTANT SAFETY NOTICE**

WHEN SERVICING THIS CHASSIS, UNDER NO CIRCUMSTANCE SHOULD THE ORIGINAL DESIGN BE MODIFIED OR ALTERED WITHOUT PERMISSION FROM THE ZENITH ELECTRONICS CORPORATION. ALL COMPONENTS SHOULD BE REPLACED ONLY WITH TYPES IDENTICAL TO THOSE IN THE ORIGINAL CIRCUIT, AND THEIR PHYSICAL LOCATION, WIRING AND LEAD DRESS MUST CONFORM TO ORIGINAL LAYOUT UPON COMPLETION OF REPAIRS.

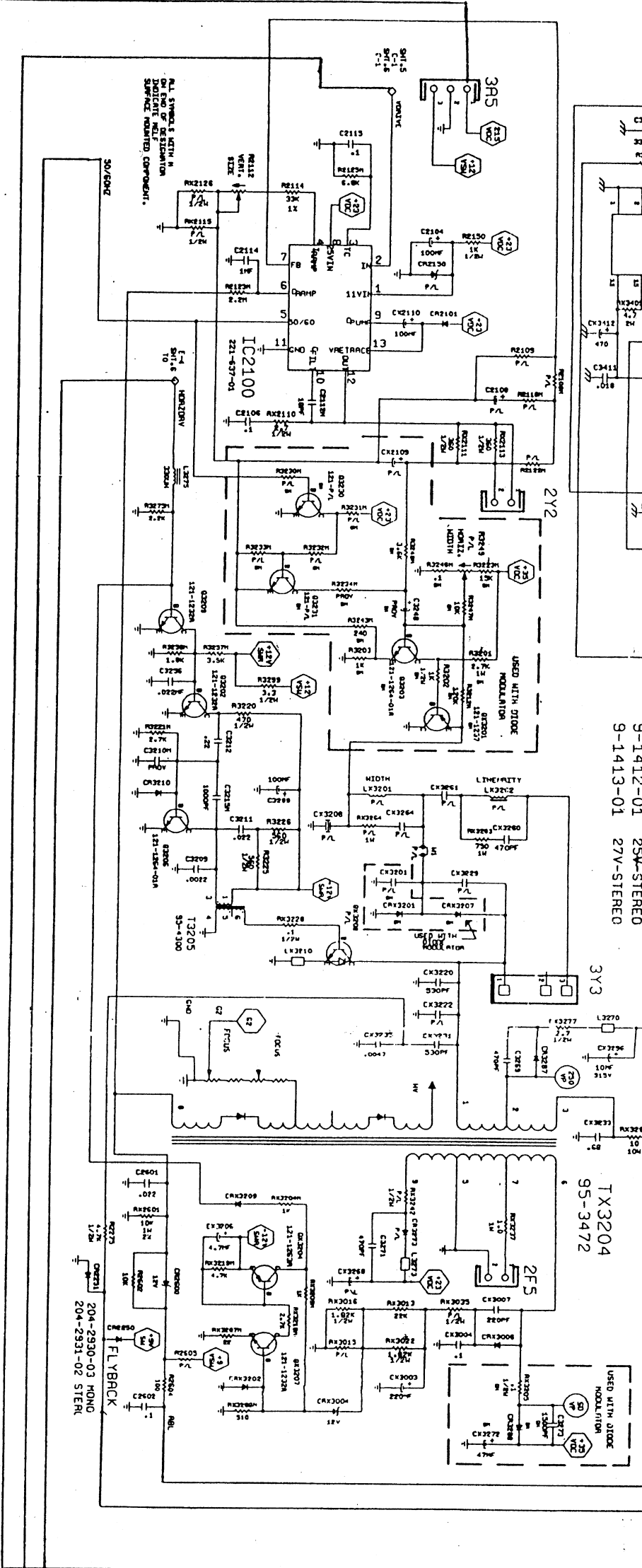
SPECIAL COMPONENTS ARE ALSO USED TO PREVENT X-RADIATION, SHOCK AND FIRE HAZARD. THESE COMPONENTS ARE INDICATED BY THE LETTER "X" INCLUDED IN THE ITEM NUMBER. THIS DESIGNATES CRITICAL COMPONENTS IN CIRCUITS WHICH ARE REQUIRED TO MAINTAIN SAFE PERFORMANCE. NO DEVIATIONS ARE ALLOWED WITHOUT PRIOR APPROVAL BY THE PRODUCT COMPLIANCE AND EVALUATION DEPARTMENT.

THIS CIRCUIT DIAGRAM MAY OCCASIONALLY DIFFER FROM THE ACTUAL CIRCUIT USED. THIS WAY, IMPLEMENTATION OF THE LATEST SAFETY AND PERFORMANCE IMPROVEMENT CHANGES INTO THE SET IS NOT DELAYED UNTIL THE NEW SERVICE LITERATURE IS PRINTED

93ART953



São Paulo - SP  
 Rua Vitoria, 379/383  
 Fone: 221-0683  
 221-0105  
 ESQUEMA TECN  
 VITORIA



9-1412-01 2SW-STEREO  
 9-1413-01 2TV-STEREO

TX3204  
 95-3472

USED WITH DIODE  
 MODULATOR

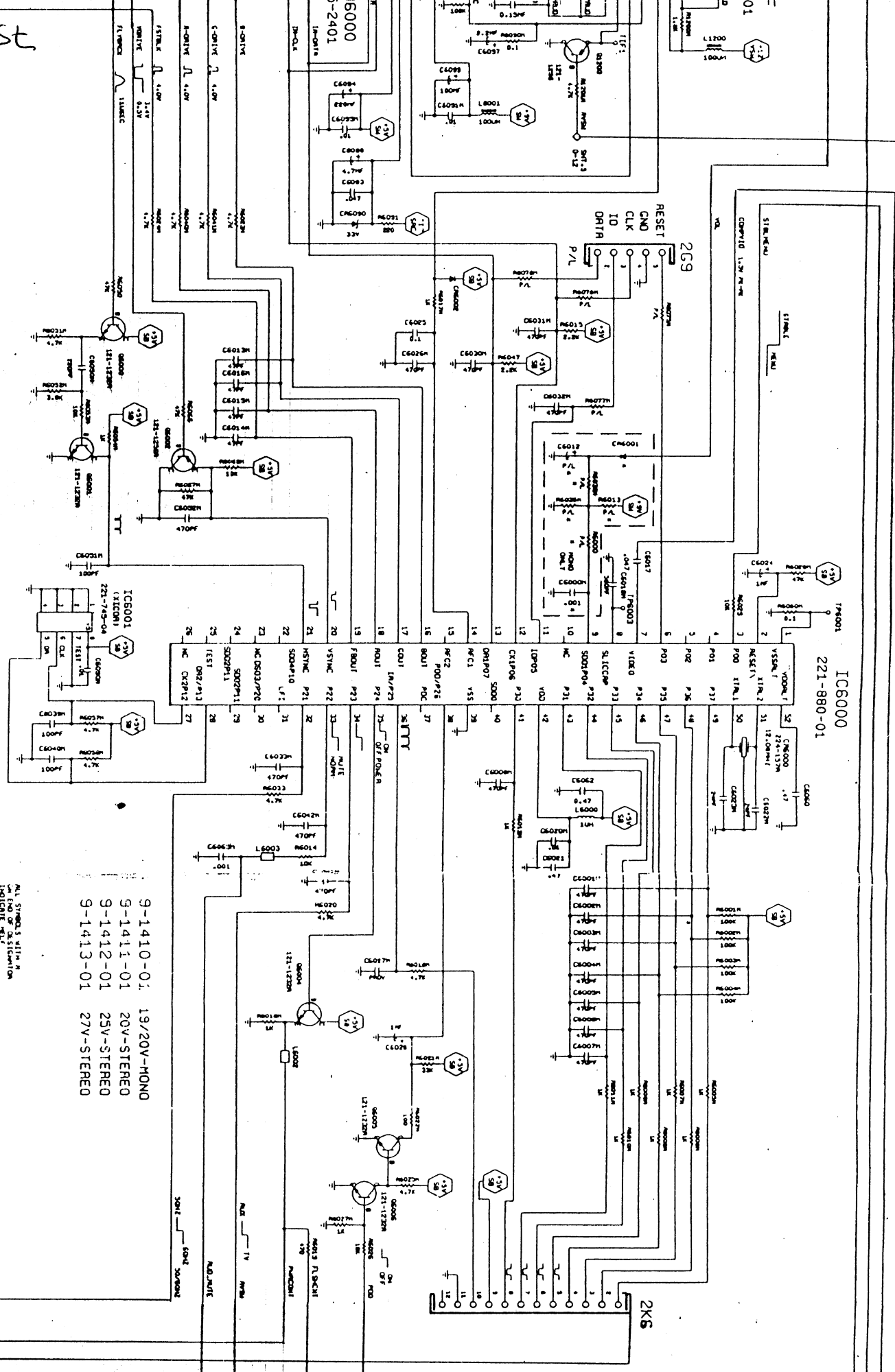
307







St



IC6000  
221-880-01

- 9-1410-01 19/20V-MONO
- 9-1411-01 20V-STEREO
- 9-1412-01 25V-STEREO
- 9-1413-01 27V-STEREO

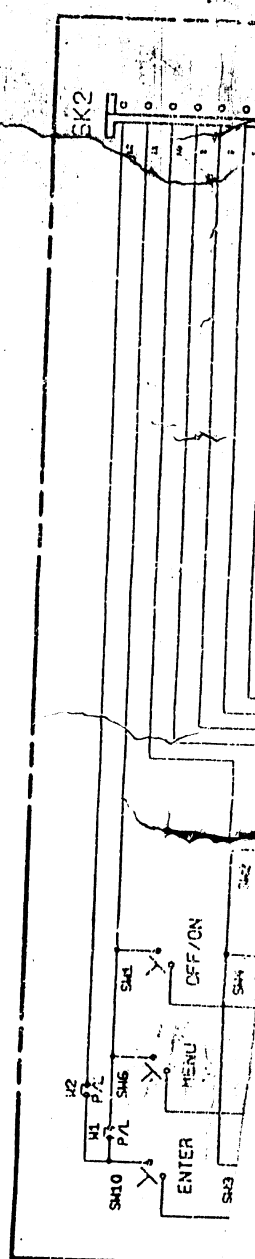
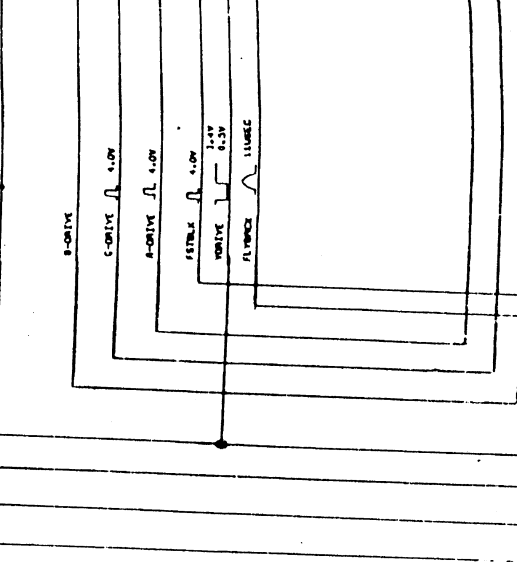
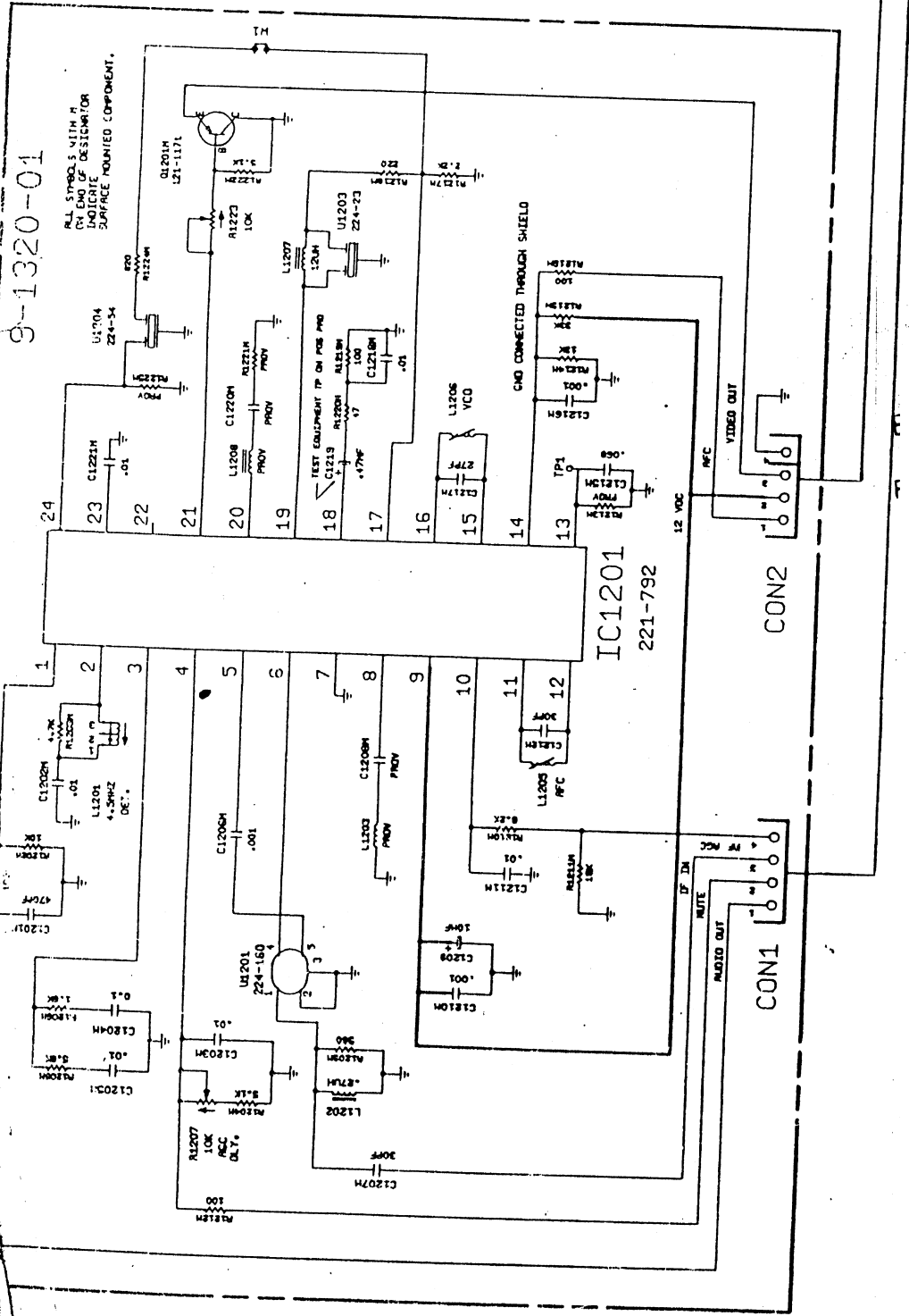
ALL STRINGS WITH M  
L AND P DESIGNATION  
SUBJECT AUDIO COMPONENT.

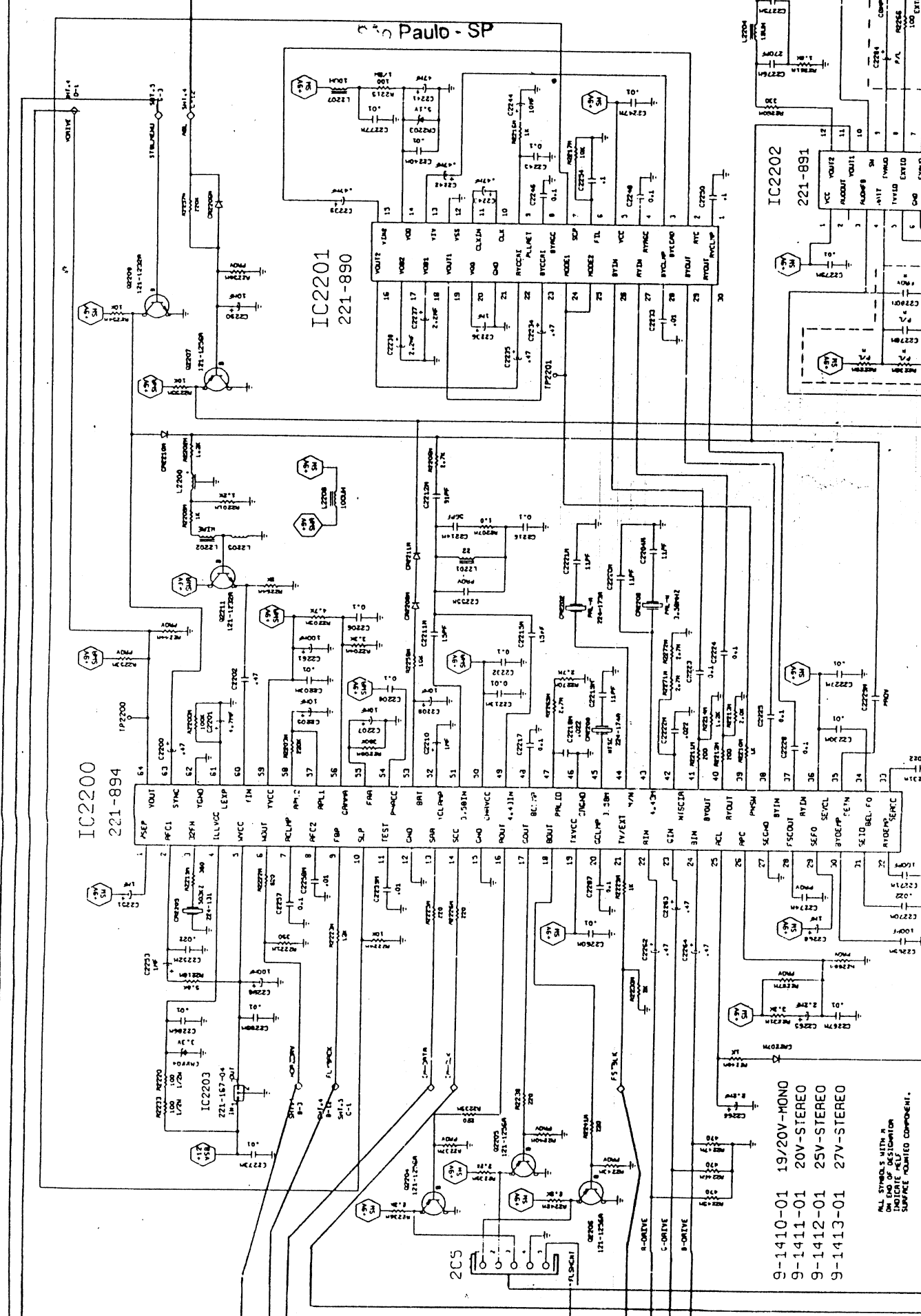


9-1320-01

THEIR  
9-1320-01

TU6000  
175-2401



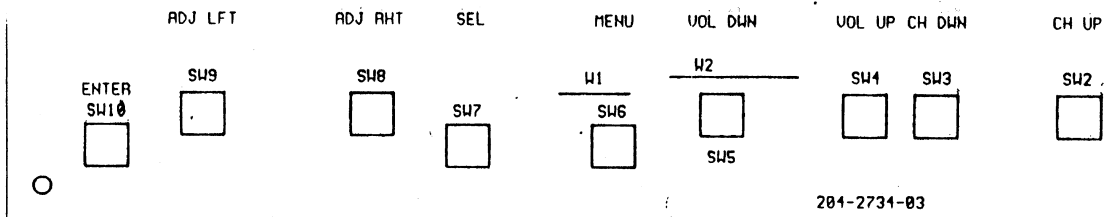


- 9-1410-01 19/20V-MONO
- 9-1411-01 20V-STEREO
- 9-1412-01 25V-STEREO
- 9-1413-01 27V-STEREO

ALL SYMBOLS WITH A  
 NUMBER DESIGNATOR  
 INDICATE A SURFACE MOUNTED COMPONENT.

74





**TRANSISTOR DC VOLTAGES**

**INTEGRATED CIRCUIT DC VOLTAGES**

Q	E	B	C	IC800		IC1400		IC1400 CONT		IC2200
				Pin	#	Pin	#	Pin	#	Pin
800	0.0	0.0	15.0	1.	0.6	1.	3.0	41.	4.0	10.
2204	3.0	0.0	2.0	2.	0.0	2.	4.0	42.	4.0	20.
2205	3.0	0.0	2.0	3.	15.0	3.	4.0			21.
2206	3.0	0.0	2.0	4.	0.0	4.	4.0	<b>IC2100</b>		22.
2207	6.0	6.0	0.0	5.	0.0	5.	4.0	<b>Pin #</b>		23.
2209	0.0	0.0	4.0	6.	1.0	6.	2.0	1.	9.0	24.
2211	1.0	2.0	9.0	7.	8.0	7.	2.0	2.	4.0	25.
X3201	18.0	18.0	0.0	8.	0.0	8.	0.0	3.	4.0	26.
3202	0.0	0.4	2.0	9.	15.0	9.	5.0	4.	5.0	27.
3203	2.0	2.0	18.0	10.	8.0	10.	5.0	5.	4.0	28.
X3204	11.0	0.0	0.22			11.	9.0	6.	5.0	29.
3206	0.0	2.0	11.0			12.	7.0	7.	4.0	30.
X3207	0.0	0.0	11.0			13.	7.0	8.	23.0	31.
X3208	0.0	0.2	126.0			14.	4.0	9.	3.0	32.
3209	0.0	0.4	0.39			15.	2.0	10.	2.0	33.
3230	0.0	0.0	12.0			16.	4.0	11.	0.0	34.
3231	0.0	0.7	0.0			17.	0.0	12.	11.0	35.
X3401	0.06	-2.2	174.0			18.	4.0	13.	23.0	36.
X3402	0.0	0.1	0.07			19.	4.0			37.
X3403	15.0	14.0	0.0			20.	4.0	<b>IC2200</b>		38.
X3404	0.0	0.7	0.03			21.	4.0	<b>Pin #</b>		39.
X3405	12.0	11.0	12.0			22.	0.0			40.
X3406	16.0	15.0	16.0			23.	4.0	1.	7.0	41.
5101	2.0	2.5	199.0			24.	3.0	2.	8.0	42.
5102	2.0	2.5	199.0			25.	4.0	3.	6.0	43.
5103	2.0	2.5	199.0			26.	4.0	4.	3.0	44.
5104	0.0	0.7	0.0			27.	4.0	5.	9.0	45.
6000	1.0	0.8	5.0			28.	0.0	6.	2.0	46.
6001	0.0	0.02	5.0			29.	4.0	7.	5.0	47.
6002	4.0	4.0	0.0			30.	4.0	8.	6.0	48.
6004	4.0	5.0	5.0			31.	4.0	9.	0.4	49.
6005	0.0	0.0	5.0			32.	3.0	10.	1.5	50.
6006	0.0	0.7	0.0			33.	4.0	11.	3.0	51.
						34.	4.0	12.	0.0	52.
						35.	4.0	13.	2.0	53.
						36.	4.0	14.	2.0	54.
						37.	4.0	15.	0.0	55.
						38.	4.0	16.	2.0	56.
						39.	4.0	17.	2.0	57.
						40.	4.0	18.	2.0	58.