

Chassis K2

Elegance 55 Flat

MF 55-2502 Top	GBD1700
MF 55-2502/5 Text	GBF3700
MF 55-2502/8 FR Text	GBF3800
MF 55-2503/8 PL Text	GBF3600

K 21

PF-2603/8 Text	GBF7700
-----------------------	---------

Lenaro 55 Flat

MF 55-5501 Top	GBD0900
MF 55-5501/8 Text	GBF3500

Sedance 55

ST 55-2502 Text	GBF3200
ST 55-2502/5 Top	GBD2000

Xentia 21

MFS 55-4701/8 Top	GBF7900
--------------------------	---------

Zusätzlich erforderliche Unterlagen für den Komplettservice
Additionally required Service Documents for the Complete Service

Service Manual

Sicherheit
Safety

Materialnr./Part No.
72010800001

Materialnummer / Part Number 720100521000

Änderungen vorbehalten / Subject to alteration

TCC 0407 MP • Prepared in Germany

<http://www.grundig.com>

Es gelten die Vorschriften und Sicherheitshinweise gemäß dem Service Manual "Sicherheit", Materialnummer 720108000001, sowie zusätzlich die eventuell abweichenden, landesspezifischen Vorschriften!



The regulations and safety instructions shall be valid as provided by the "Safety" Service Manual, part number 720108000001, as well as the respective national deviations.

Inhaltsverzeichnis

	Seite
Allgemeiner Teil	1-2...1-13
Einführung	1-2
Allgemeine Hinweise	1-2
Sicherheits- und Service-Hinweise.....	1-3
Technische Daten	1-4
Bedienhinweise	1-8
Service- und Sonderfunktionen	1-10
Abgleich	2-1
Platinenabbildungen und Schaltpläne.....	3-1...3-15
Chassisplatte XDK190.....	3-1
– Netzteil.....	3-8
– Ablenkung.....	3-9
– Hauptteil.....	3-10
Bildrohrplatte XDK190.....	3-13
Variante nliste	3-14
Bedienplatte 6VB191.....	3-14
IR/LED-Platte 6VB193, GX4142, X1S193.....	3-14
Buchsenplatten 6VA194, 7PZ194.....	3-15
Ersatzteillisten	4-1...4-14

Table of Contents

	Page
General Section	1-2...1-13
Introduction.....	1-2
General Notes	1-2
Safety and Service Notes.....	1-3
Technical Data	1-4
Operating Hints.....	1-9
Service and Special Functions.....	1-10
Adjustment.....	2-1
Layout of the PCBs and Circuit Diagrams	3-1...3-15
Chassis Board XDK190.....	3-1
– Power Supply.....	3-8
– Deflection.....	3-9
– Main Part	3-10
CRT Board XDK190.....	3-13
Variant List.....	3-14
Keyboard 6VB191.....	3-14
IR/LED Boards 6VB193, GX4142, X1S193.....	3-14
Socket Boards 6VA194, 7PZ194	3-15
Spare Parts Lists	4-1...4-14

Allgemeiner Teil

Einführung

In diesem Service Manual sind Geräte mit dem Chassis K2 dokumentiert, die auch mit dem Chassis K1 ausgestattet wurden. Das Chassis können Sie am Typenschild erkennen bzw. am Platinenaufdruck:

- Chassis K2 (Type shield): XDK190 (PCB overprint)
 - Chassis K1 (Type shield): KX1190 (PCB overprint)
- Das Chassis K1 ist in folgenden Service Manuals dokumentiert:
- Service Manual K1, Materialnummer 720100517000
 - Ergänzung 1, Materialnummer 720100517100
 - Ergänzung 2, Materialnummer 720100517200
 - Ergänzung 3, Materialnummer 720100517300
 - Ergänzung 4, Materialnummer 720100517400

Allgemeine Hinweise

Vor dem Öffnen des Gehäuses den Netzstecker ziehen!

Achtung: ESD-Vorschriften beachten 

Leitungsverlegung

Bevor Sie Leitungen und insbesondere die Masseleitungen lösen, muss die Leitungsverlegung zu den einzelnen Baugruppen beachtet werden. Nach erfolgter Reparatur ist es notwendig, die Leitungsführung wieder in den werkseitigen Zustand zu versetzen um evtl. spätere Ausfälle oder Störungen zu vermeiden.

Durchführen von Messungen

Bei Messungen mit dem Oszilloskop an Halbleitern sollten Sie nur Tastköpfe mit 10:1 - Teiler verwenden. Außerdem ist zu beachten, dass nach vorheriger Messung mit AC-Kopplung der Koppelkondensator des Oszilloskops aufgeladen sein kann. Durch die Entladung über das Messobjekt können Bauteile beschädigt werden.

Messwerte und Oszillogramme

Bei den in den Schaltplänen und Oszillogrammen angegebenen Messwerten handelt es sich um Näherungswerte!

General Section

Introduction

This Service Manual describes sets with chassis K2, which are fitted with chassis K1. You can identify the chassis by the chassis name (see product label) or by the overprint on the PCB illustration:

- Chassis K2 (Type shield): XDK190 (PCB overprint)
 - Chassis K1 (Type shield): KX1190 (PCB overprint)
- The following Service Manuals describe Chassis K1:
- Service Manual K1, Part Number 720100517000
 - Supplement 1, Part Number 720100517100
 - Supplement 2, Part Number 720100517200
 - Supplement 3, Part Number 720100517300
 - Supplement 4, Part Number 720100517400

General Notes

Before opening the cabinet disconnect the mains plug!

Attention: Observe the ESD safety regulations 

Wiring

Before disconnecting any leads and especially the earth connecting leads observe the way they are routed to the individual assemblies. On completion of the repairs the leads must be laid out as originally fitted at the factory to avoid later failures or disturbances.

Carrying out Measurements

When making measurements on semi-conductors with an oscilloscope, ensure that the test probe is set to 10:1 dividing factor. If the previous measurement was made on AC input, please note that the coupling capacitor in the oscilloscope will be charged. Discharge via the item being checked can damage the components.

Measured Values and Oscillograms

The measured values given in the circuit diagrams and oscillograms are approximates!

Sicherheits-Hinweise

Die in den Fernsehgeräten auftretende Röntgenstrahlung entspricht den Bestimmungen der Physikalisch-Technischen Bundesanstalt vom 8. Januar 1987.

Die Hochspannung für die Bildröhre und die damit auftretende Röntgenstrahlung ist abhängig von der exakten Einstellung der Netzteilspannung +B.

Nach jeder Reparatur im Netzteil oder in der Horizontalablenkung ist die Hochspannung zu messen und gegebenenfalls einzustellen.

Schutzschaltungen im Gerät dürfen nur kurzzeitig außer Betrieb gesetzt werden, um Folgeschäden am Chassis oder an der Bildröhre zu vermeiden.

Beim Austausch der Bildröhre dürfen nur die in den Ersatzteillisten vorgeschriebenen Typen verwendet werden.

D

Service-Hinweise

Chassisausbau

Bevor Sie die Chassis-Verbindungsleitungen lösen, muss die Leitungsverlegung zu den einzelnen Baugruppen wie Netzschalterplatte, Bedieneinheit, Bildrohrplatte, Ablenkeinheit oder Lautsprecher beachtet werden.

Nach erfolgter Reparatur ist es notwendig, die Leitungsführung wieder in den werkseitigen Zustand zu versetzen, um eventuell spätere Ausfälle oder Störungen zu vermeiden.

Netzkabel

Diese Geräte dürfen nur mit dem Original-Netzanschlusskabel mit integrierter Entstördrossel betrieben werden. Dieses Netzkabel verhindert Störungen aus dem Netz und ist Bestandteil der Gerätezulassung. Im Ersatzfall bestellen Sie bitte ausschließlich das Netzkabel laut Ersatzteilliste.

GB

Service Notes

Disassembly of the chassis

Before disconnecting the chassis connecting leads observe the way they are routed to the individual assemblies like the mains switch panel, keyboard control panel, picture tube panel, deflection unit or loudspeaker.

On completion of the repairs the leads must be laid out as originally fitted at the factory to avoid later failures or disturbances.

Mains cable

The TV receiver must only be operated with an original mains connecting cable with an interference suppressor choke integrated in the mains plug. This mains cable prevents interference from the mains supply and is part of the product approval. For replacement please order exclusively the mains connecting cable specified in the spare parts list.

F

Information pour la maintenance

Démontage de chassis

Avant de défaire les connecteurs du châssis princip, il y a lieu de repérer auparavant les liaisons correspondant à chaque platine comme par exemple le C.I. Inter secteur, le C.I. Commande, le C.I. Tube, le bloc déviation ou les haut-parleurs.

A la fin de l'intervention, les connexions doivent être remises dans leur position d'origine afin d'éviter par après d'éventuelles défaillances ou perturbations.

Safety Notes

The X-radiation developing in the sets conforms to the X-radiation Regulations (January 8, 1987), issued by the Physikalisch-Technische Bundesanstalt (federal physio-technical institution).

The high tension for the picture tube and thus the developing X-radiation depends on the precise adjustment of the +B power supply.

After every repair of the power supply unit or the horizontal deflection stage it is imperative that the EHT for the picture tube is checked and re-adjusted if necessary.

To avoid consequential damages to the chassis or the picture tube the integrated protective circuits are allowed to be put out of operation only for a short time.

When replacing the picture tube use only the types specified in the spare parts lists.

Cable dereseau

Ces appareils ne peuvent être utilisés qu'avec un câble de connexion original de réseau avec bobine antiparasite intégré dans la fiche de secteur. Ce câble de réseau empêche des perturbations de réseau et est partie de l'autorisation d'appareil. Si nécessaire commandez uniquement le câble de réseau selon la liste de pièces détachées.

I

Nota di servizio

Smontaggio del telaio

Prima di sfilare i cavi di collegamento col telaio è necessario osservare la disposizione originaria degli stessi verso le singole parti come la piastra alimentazione, l'unità comandi, la piastra cinescopio, il giogo o l'altoparlante.

Dopo la riparazione è necessario che gli ancoraggi e le guide garantiscano la disposizione dei cavi analogamente a quella data in fabbrica e ciò per evitare disturbi o danni nel tempo.

Cavo rete

Gli apparecchi devono essere messi in funzione solo con il cavo originale il collegamento di rete e la sua spina di rete deve essere munita di una bobina d'induttanza. In caso di sostituzione ordinare solo il cavo di alimentatore che corrisponde alla lista degli accessori.

E

Nota de servicio

Desmontaje del chassis

Antes de desconectar las conexiones del Chassis hay que observar la dirección de dichas conexiones a los distintos grupos de construcción como la placa de conmutación de red, unidad de control, placa del zócalo del tubo de imagen, unidad de deflección o altavoces.

Después de haber realizado la reparación y para evitar fallos o perturbaciones posteriores es necesario reponer las conexiones tal como fueron instaladas originalmente en fábrica.

Cable de red

El aparato solo se puede usar con el cable de red original con choque antiparásito integrado en el enchufe de red. Este cable de red evita perturbaciones de la red y es parte de la autorización del aparato. En caso necesario puede pedir el cable de red según lista de piezas de repuestos.

Technische Daten / Technical Data

	Elegance 55 Flat MF 55-2502 TOP	Elegance 55 Flat MF 55-2502/5 Text	Elegance 55 Flat MF 55-2502/8 FR/Text	Elegance 55 Flat MF 55-2503/8 PL/Text	K 21 PF-2603/8 Text
Chassis K2 - Product Code	CPY	CPS	CPQ	CQA	CPU
Chassis K1 - Product Code → s. Service Manuals 720100517xxx	E5A	AVT	AVU	AVS	BJH
Order No.	G.BD 17-00	G.BF 37-00	G.BF 38-00	G.BF 36-00	G.BF 77-00
EAN	40 13833-59919 7	40 13833-60881 0	40 13833-60882 0	40 13833-60880 6	40 13833-60993 3
Color	procon silver	procon silver	procon silver	procon silver	procon silver
Destination	D, A, CH, I	NL, E, P, GR	F, E, P	PL, H, CZ	F, B, NL
IM-Languages	D,I	D, NL, E, P, GR	F, E	PL, H, CZ	F, NL
Remote control	TP 160 C	TP 160 C	TP 160 C	TP 160 C	TP 160 C
PICTURE					
Size / Type	55cm (21"), FST, 4:3	55cm (21"), FST, 4:3	55cm (21"), FST, 4:3	55cm (21"), FST, 4:3	55cm (21"), FST, 4:3
Deflection	90°	90°	90°	90°	90°
100Hz Picture-/32 kHz line frequency	○	○	○	○	○
Flicker free scanning (full frame memory)	○	○	○	○	○
Digital Color Transition Improv. (DCTI)	●	●	●	●	●
Digital Combfilter	●	●	●	●	●
Digital Luminance Transition Improv. (DLTI)	●	●	●	●	●
Picture Noise Reduction	●	●	●	●	●
SVM (Scan Velocity Modulation)	○	○	○	○	○
Dynamic Focus	○	○	○	○	○
Digital Picture Improvement (DPI)	○	○	○	○	○
Preset picture modes	user, natural, rich, soft	user, natural, rich, soft	user, natural, rich, soft	user, natural, rich, soft	user, natural, rich, soft
Tilt	○	○	○	○	○
Picture Formats	4:3 / 16:9	4:3 / 16:9	4:3 / 16:9	Auto (WSS) 4:3 / 16:9	4:3 / 16:9
PIP (2 Tuner)	○	○	○	○	○
Multifold Tuner scan (Mosaic Picture)	○	○	○	○	○
PAT: Split screen (PICTURE + TEXT)	○	○	○	○	○
PAP: Double Window (PICTURE + PICTURE)	○	○	○	○	○
P2AT: Double Window + TXT	○	○	○	○	○
POP: PICTURE on PICTURE	○	○	○	○	○
Picture freezing	○	○	○	○	○
Quick programme display	with OK-key	with OK-key	with OK-key	with OK-key	with OK-key
Zoom with point function	○	○	○	○	○
Auto 16:9 selection via Scart	●	●	●	●	●
Auto 16:9 via WSS	●	●	●	●	●
Automatic Color Standard Detection	●	○	○	○	●
Sharpness control	●	●	●	●	●
Blue Background	●	●	●	●	●
CHASSIS					
TV-Chassis	K1 / K2 (50Hz)	K1 / K2 (50Hz)	K1 / K2 (50Hz)	K1 / K2 (50Hz)	K1 / K2 (50Hz)
Tuner	PLL frequency synthesizer tuning	PLL frequency synthesizer tuning	PLL frequency synthesizer tuning	PLL frequency synthesizer tuning	PLL frequency synthesizer tuning
µ-Processor	VCT-I	VCT-I	VCT-I	VCT-I	VCT-I
Keyboard	4 ± keys for programme selection and volume (side)	4 ± keys for programme selection and volume (side)	4 ± keys for programme selection and volume (side)	4 ± keys for programme selection and volume (side)	4 ± keys for programme selection and volume (side)
ELECTRONIC					
Stand by indicator	blue LED	blue LED	blue LED	blue LED	blue LED
EPG (Electronic Programme Guide)	Now & Next	Now & Next	Now & Next	Now & Next	Now & Next
Manual & autom. labeling of prog.	○	○	○	○	○
Easy Dialog	○	○	○	○	○
Megalogic	5 characters	5 characters	5 characters	5 characters	5 characters
Programmable off timer	●	●	●	●	●
Programmable on timer	incl. alarm timer	incl. alarm timer	incl. alarm timer	incl. alarm timer	●
Intelligent channel search (Zapping funct.)	●	●	●	●	●
Programme Edit	●	●	●	●	●
Intelligent Programme Switch	●	●	●	●	●
Auto switch off	●	●	●	●	●
Programme memory TV/AV (opt.)	100/AV	100/AV	100/AV	100/AV	100/AV
Teletext/Fasttext/Toptext	8 pages Level 1,5	12 pages/ ● / ○	12 pages/ ● / ○	12 pages/ ● / ○	● / ● / ○
Teletext options	○	○	○	○	8 pages
Teletext SWAP	○	○	○	○	○

	Elegance 55 Flat MF 55-2502 TOP	Elegance 55 Flat MF 55-2502/5 Text	Elegance 55 Flat MF 55-2502/8 FR/Text	Elegance 55 Flat MF 55-2503/8 PL/Text	K 21 PF-2603/8 Text
Childlock	●	●	●	●	●
Menu languages OSD	26 Languages: D,GB,F,I,E,P,NL,GR,TR, DK,FIN,N,S,SI,PL,H, RUS,RO,HR,CZ,SK,AL, BG,MK,SER,HEB	26 Languages: D,GB,F,I,E,P,NL,GR, TR,DK,FIN,N,S,SI,PL,H, RUS,RO,HR,CZ,SK,AL, BG,MK,SER,HEB	26 Languages: D,GB,F,I,E,P,NL,GR, TR,DK,FIN,N,S,SI,PL,H, RUS,RO,HR,CZ,SK,AL, BG,MK,SER,HEB	26 Languages: D,GB,F,I,E,P,NL,GR, TR,DK,FIN,N,S,SI,PL,H, RUS,RO,HR,CZ,SK,AL, BG,MK,SER,HEB	26 Languages: D,GB,F,I,E,P,NL,GR, TR,DK,FIN,N,S,SI,PL,H, RUS,RO,HR,CZ,SK,AL, BG,MK,SER,HEB
SWAP (Recall function)	○	○	○	○	○
Service mode	●	●	●	●	●
Luxury packet	○	○	○	○	○
Hotel mode	Simple hotel mode possible via service functions	Simple hotel mode possible via service functions	Simple hotel mode possible via service functions	Simple hotel mode possible via service functions	Simple hotel mode possible via service functions
TUNING					
Autom. Tuning System with country selection	full automatic sorting	full automatic sorting	full automatic sorting	full automatic sorting	full automatic sorting
Frequency Based Auto Search	●	●	●	●	●
Automatic Micro-search	●	●	●	●	●
Automatic Programming	○	○	○	○	○
Manual fine tuning	●	●	●	●	●
Direct channel selection	●	●	●	●	●
PAL/SECAM/ BG/DK/I/L/L	●●/○ ●○/○/○/○	●●/○ ●○/○/○/○	●●/○ ●●/●/●/●	●●/○ ●●/●/●/●	●●/○ ●●/●/●/●
NTSC-Playback via Scart (3,58/4,43)	●	●	●	●	●
Cable TV / Hyperband (S1-S41)	●	●	●	●	●
AUDIO					
Mono/Stereo/Nicam	● / ● / ○	● / ● / ●	● / ● / ●	● / ● / ●	● / ● / ●
AV Stereo	●	●	●	●	●
Virtual Dolby	○	○	○	○	○
Subwoofer	○	○	○	○	○
Dynamic Bass	○	○	○	○	○
DSP (Digital Sound Processor)	●	●	●	●	●
Balance Adjustment	●	●	●	●	●
AVL (Audio Volume Level)	●	●	●	●	●
PIP listening via Headphone jack	○	○	○	○	○
Equalizer	5 Band	5 Band	5 Band	5 Band	5 Band
Space Sound Effect	●	●	●	●	●
Audio mode	cinema, music, sport, speech, user	cinema, music, sport, speech, user	cinema, music, sport, speech, user	cinema, music, sport, speech, user	cinema, music, sport, speech, user
Audio amplifier without extern LS	2 x 7W (RMS)	2 x 7W (RMS)	2 x 7W (RMS)	2 x 7W (RMS)	2 x 7W (RMS)
Tweeter (2 way speaker system)	○	○	○	○	○
POWER SUPPLY / CABINET					
Power voltage	230V~, 50/60Hz	230V~, 50/60Hz	230V~, 50/60Hz	230V~, 50/60Hz	230V~, 50/60Hz
Power switch	● (side)	●	●	●	●
Power consumption	55W, standby 2W in accordance to IEC 62087-2002	51W, standby 2W in accordance to IEC 62087-2002	51W, standby 2W in accordance to IEC 62087-2002	51W, standby 2W in accordance to IEC 62087-2002	55W, standby 2W in accordance to IEC 62087-2002
Cabinet (WxHxD, cm) / Weight	61,1 x 44,7 x 44,7cm; ca. 22,2kg	61,1 x 44,7 x 48,5cm; ca. 22,2kg	61,1 x 44,7 x 48,5cm; ca. 22,2kg	61,1 x 44,7 x 48,5cm; ca. 22,2kg	61,1 x 44,7 x 44,7cm; ca. 22,2kg
FRONT PANEL CONNECTIONS					
Headphones	● (side)	● (side)	● (side)	● (side)	● (side)
Cinch-AV socket	3 x Cinch - Video in, Audio in L/R (side)	3 x Cinch - Video in, Audio in L/R (side)	3 x Cinch - Video in, Audio in L/R (side)	3 x Cinch - Video in, Audio in L/R (side)	3 x Cinch - Video in, Audio in L/R (side)
S-Video	Hosiden (side)	Hosiden (side)	Hosiden (side)	Hosiden (side)	Hosiden (side)
REAR PANEL CONNECTIONS					
Euro-AV-Socket AV1	CVBS in-/output, RGB input	CVBS in-/output, RGB input	CVBS in-/output, RGB input	CVBS in-/output, RGB input	CVBS in-/output, RGB input
Euro-AV Socket AV2	CVBS in-/output, S-Video input	CVBS in-/output, S-Video input	CVBS in-/output, S-Video input	CVBS in-/output, S-Video input	CVBS in-/output, S-Video input
Euro-AV Socket AV3	○	○	○	○	○
S-Video	via Scart	via Scart	via Scart	via Scart	via Scart
Audio out	○	○	○	○	○
Antenna for terrestrial reception	1 x Coaxial-socket for TV-tuner-in, according to DIN 45325	1 x Coaxial-socket for TV-tuner-in, according to DIN 45325	1 x Coaxial-socket for TV-tuner-in, according to DIN 45325	1 x Coaxial-socket for TV-tuner-in, according to DIN 45325	1 x Coaxial-socket for TV-tuner-in, according to DIN 45325
Power supply plug	○	○	○	○	○

	Lenaro 55 Flat MF 55-5501 TOP	Lenaro 55 Flat MF 55-5501/8 Text	Sedance 55 ST 55-2502 Text	Sedance 55 ST 55-2502/5 TOP	Xentia 21 MFS 55-4701/8 TOP
Chassis K2 - Product Code	CPX/CZU	CPW	CQC	CQD	CQE
Chassis K1 - Product Code —> s. Service Manuals 720100517xxx	J3W	AVR	AVK	E7K	CLZ
Order No.	G.BD 09-00	G.BF 35-00	G.BF 32-00	G.BD 20-00	G.BF 79-00
EAN	40 13833-59912 8	40 13833-60879 0	40 13833-60875 2	40 13833-59922 7	40 13833-60996 4
Color	procon silver	procon silver/black	procon silver		procon silver
Destination	D, A, CH, I	CH, NL, F, E, P, DK, FIN, N, S, CZ, H, HR, PL	D, A, CH, SI	E, P, DK, N, ROW	D, GB, F, I, NL, E, P, PL, CZ, H, HR
IM-Languages	D, I	GB, F, NL, DK, N, S, FIN, E, P, PL, CZ, HR	D, SI	GB, DK, N, E, P	D, CH, I, P, PL, CZ, H, F, E, NL, HR
Remote control	TP 160 C	TP 160 C	TP 160 C	TP 160 C	TP 160 C
PICTURE					
Size / Type	55cm (21"), FST, 4:3	55cm (21"), FST, 4:3	55cm (21"), FST, 4:3	55cm (21"), FST, 4:3	55cm (21"), FST, 4:3 Slim Line
Deflection	90°	90°	90°	90°	110°
100Hz Picture-/32 kHz line frequency	○	○	○	○	○
Flicker free scanning (full frame memory)	○	○	○	○	○
Digital Color Transition Improv. (DCTI)	●	●	○	○	●
Digital Combfilter	●	●	○	○	●
Digital Luminance Transition Improv. (DLTI)	●	●	○	○	●
Picture Noise Reduction	●	●	○	○	●
SVM (Scan Velocity Modulation)	○	○	○	○	○
Dynamic Focus	○	○	○	○	○
Digital Picture Improvement (DPI)	○	○	○	○	○
Preset picture modes	user, natural, rich, soft	user, natural, rich, soft	user, natural, rich, soft	user, natural, rich, soft	user, natural, rich, soft
Tilt	○	○	○	○	○
Picture Formats	4:3 / 16:9	4:3 / 16:9	4:3 / 16:9	4:3 / 16:9	4:3 / 16:9
PIP (2 Tuner)	○	○	○	○	○
Multifold Tuner scan (Mosaic Picture)	○	○	○	○	○
PAT: Split screen (PICTURE + TEXT)	○	○	○	○	○
PAP: Double Window (PICTURE + PICTURE)	○	○	○	○	○
P2AT: Double Window + TXT	○	○	○	○	○
POP: PICTURE on PICTURE	○	○	○	○	○
Picture freezing	○	○	○	○	○
Quick programme display	with OK-key	with OK-key	with OK-key	with OK-key	with OK-key
Zoom with point function	○	○	○	○	○
Auto 16:9 selection via Scart	●	●	●	●	●
Auto 16:9 via WSS	●	●	●	●	●
Automatic Color Standard Detection	●	○	○	●	●
Sharpness control	●	●	●	●	●
Blue Background	●	●	●	●	●
CHASSIS					
TV-Chassis	K1 / K2 (50Hz)	K1 / K2 (50Hz)	K1 / K2 (50Hz)	K1 / K2 (50Hz)	K1 / K2 (50Hz)
Tuner	PLL frequency synthesizer tuning	PLL frequency synthesizer tuning	PLL frequency synthesizer tuning	PLL frequency synthesizer tuning	PLL frequency synthesizer tuning
µ-Processor	VCT-I	VCT-I	VCT-I	VCT-I	VCT-I
Keyboard	4 ± keys for programme selection and volume (side)	4 ± keys for programme selection and volume (side)	3 ± keys for programme selection and volume	3 ± keys for programme selection and volume	4 ± keys for programme selection and volume (side)
ELECTRONIC					
Stand by indicator	blue LED	blue LED	red LED	red LED	blue LED
EPG (Electronic Programme Guide)	Now & Next	Now & Next	Now & Next	Now & Next	Now & Next
Manual & autom. labeling of prog.	○	○	○	○	○
Easy Dialog	○	○	○	○	○
Megalogic	5 characters	5 characters	5 characters	5 characters	5 characters
Programmable off timer	●	●	●	●	●
Programmable on timer	incl. alarm timer	incl. alarm timer	incl. alarm timer	incl. alarm timer	●
Intelligent channel search (Zapping funct.)	●	●	●	●	●
Programme Edit	●	●	●	●	●
Intelligent Programme Switch	●	●	●	●	●
Auto switch off	●	●	●	●	●
Programme memory TV/AV (opt.)	100/AV	100/AV	100/AV	100/AV	100/AV
Teletext/Fasttext/Toptext	8 pages Level 1,5	12 pages/ ● / ○	12 pages/ ● / ○	8 pages Level 1,5	8 pages Level 1,5
Teletext options	○	○	○	○	○
Teletext SWAP	○	○	○	○	○

	Lenaro 55 Flat MF 55-5501 TOP	Lenaro 55 Flat MF 55-5501/8 Text	Sedance 55 ST 55-2502 Text	Sedance 55 ST 55-2502/5 TOP	Xentia 21 MFS 55-4701/8 TOP
Childlock	●	●	●	●	●
Menu languages OSD	26 Languages: D, GB, F, I, E, P, NL, GR, TR, DK, FIN, N, S, SI, PL, H, RUS, RO, HR, CZ, SK, AL, BG, MK, SER, HEB	26 Languages: D, GB, F, I, E, P, NL, GR, TR, DK, FIN, N, S, SI, PL, H, RUS, RO, HR, CZ, SK, AL, BG, MK, SER, HEB	26 Languages: D, GB, F, I, E, P, NL, GR, TR, DK, FIN, N, S, SI, PL, H, RUS, RO, HR, CZ, SK, AL, BG, MK, SER, HEB	26 Languages: D, GB, F, I, E, P, NL, GR, TR, DK, FIN, N, S, SI, PL, H, RUS, RO, HR, CZ, SK, AL, BG, MK, SER, HEB	26 Languages: D, GB, F, I, E, P, NL, GR, TR, DK, FIN, N, S, SI, PL, H, RUS, RO, HR, CZ, SK, AL, BG, MK, SER, HEB
SWAP (Recall function)	○	○	○	○	○
Service mode	●	●	●	●	●
Luxury packet	○	○	○	○	○
Hotel mode	Simple hotel mode possible via service functions	Simple hotel mode possible via service functions	Simple hotel mode possible via service functions	Simple hotel mode possible via service functions	Simple hotel mode possible via service functions
TUNING					
Autom. Tuning System with country selection	full automatic sorting	full automatic sorting	full automatic sorting	full automatic sorting	full automatic sorting
Frequency Based Auto Search	●	●	●	●	●
Automatic Micro-search	●	●	●	●	●
Automatic Programming	○	○	○	○	○
Manual fine tuning	●	●	●	●	●
Direct channel selection	●	●	●	●	●
PAL/SECAM/ BG/DK/I/L/L	●/●/ ○/○/○/○	●/●/ ●/●/●/●	●/●/ ○/○/○/○	●/●/ ○/○/○/○	●/●/ ●/●/●/●
NTSC-Playback via Scart (3,58/4,43)	●	●	●	●	●
Cable TV / Hyperband (S1-S41)	●	●	●	●	●
AUDIO					
Mono/Stereo/Nicam	● / ● / ○	● / ● / ●	● / ● / ○	● / ● / ●	● / ● / ●
AV Stereo	●	●	●	●	●
Virtual Dolby	○	○	○	○	○
Subwoofer	○	○	○	○	○
Dynamic Bass	○	○	○	○	○
DSP (Digital Sound Processor)	●	●	●	●	●
Balance Adjustment	●	●	●	●	●
AVL (Audio Volume Level)	●	●	●	●	●
PIP listening via Headphone jack	○	○	○	○	○
Equalizer	5 Band	5 Band	5 Band	5 Band	5 Band
Space Sound Effect	●	●	●	●	●
Audio mode	cinema, music, sport, speech, user	cinema, music, sport, speech, user	cinema, music, sport, speech, user	cinema, music, sport, speech, user	cinema, music, sport, speech, user
Audio amplifier without extern LS	2 x 7W (RMS)	2 x 7W (RMS)	2 x 7W (RMS)	2 x 7W (RMS)	2 x 7W (RMS)
Tweeter (2 way speaker system)	○	○	○	○	○
POWER SUPPLY / CABINET					
Power voltage	230V~, 50/60Hz	230V~, 50/60Hz	230V~, 50/60Hz	230V~, 50/60Hz	230V~, 50/60Hz
Power switch	●	●	●	●	●
Power consumption	51W, standby 2W in accordance to IEC 62087-2002	51W, standby 2W in accordance to IEC 62087-2002	51W, standby 2W in accordance to IEC 62087-2002	55W, standby 2W in accordance to IEC 62087-2002	55W, standby 2W in accordance to IEC 62087-2002
Cabinet (WxHxD, cm) / Weight	61,2 x 45,1 x 47,7cm; ca. 22,2kg	61,2 x 45,1 x 47,7cm; ca. 22,2kg	59,3 x 45,4 x 49,7cm; ca. 20kg	59,3 x 45,4 x 49,7cm; ca. 20kg	61,5 x 45,0 x 38cm; ca. 23kg
FRONT PANEL CONNECTIONS					
Headphones	● (side)	● (side)	● (side)	● (side)	● (side)
Cinch-AV socket	3 x Cinch - Video in, Audio in L/R (side)	3 x Cinch - Video in, Audio in L/R (side)	3 x Cinch - Video in, Audio in L/R (side)	3 x Cinch - Video in, Audio in L/R (side)	3 x Cinch - Video in, Audio in L/R (side)
S-Video	Hosiden (side)	Hosiden (side)	○	○	○
REAR PANEL CONNECTIONS					
Euro-AV-Socket AV1	CVBS in-/output, RGB input	CVBS in-/output, RGB input	CVBS in-/output, RGB input	CVBS in-/output, RGB input	CVBS in-/output, RGB input
Euro-AV Socket AV2	CVBS in-/output, S-Video input	CVBS in-/output, S-Video input	○	CVBS in-/output, S-Video input	CVBS in-/output, S-Video input
Euro-AV Socket AV3	○	○	○	○	○
S-Video	via Scart	via Scart	○	via Scart	via Scart
Audio out	○	○	○	○	○
Antenna for terrestrial reception	1 x Coaxial-socket for TV-tuner-in, according to DIN 45325	1 x Coaxial-socket for TV-tuner-in, according to DIN 45325	1 x Coaxial-socket for TV-tuner-in, according to DIN 45325	1 x Coaxial-socket for TV-tuner-in, according to DIN 45325	1 x Coaxial-socket for TV-tuner-in, according to DIN 45325
Power supply plug	○	○	○	○	○


Bedienhinweise





Dieses Kapitel enthält Auszüge aus der Bedienungsanleitung.

Weitergehende Informationen entnehmen Sie bitte der gerätespezifischen Bedienungsanleitung, deren Materialnummer Sie in der entsprechenden Ersatzteilliste finden.


AUF EINEN BLICK





Die Fernbedienung



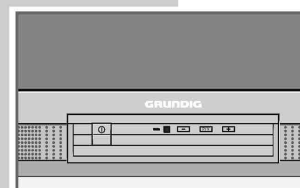
-  Schaltet das Fernsehgerät ab (Stand-by).
- PIP** Taste ohne Funktion.
-  Schaltet das Bildformat um.
- /--** Schaltet zwischen ein- und zweistelligen Programmplätzen um; schaltet auf doppelte Zeichengröße im Videotext-Betrieb.
- 1...0** Schalten das Fernsehgerät aus Stand-by ein; wählen Programme direkt.
-  Ton ein/aus (stummschalten).
- i** Ruft das Infomenü auf und schaltet es wieder ab; schaltet alle Menüs ab.
- Z** Zapp-Funktion.
- P+, P-** Schalten das Fernsehgerät aus Stand-by ein; wählen Programme schrittweise; bewegen Cursor nach oben/unten.
-  Ändern die Lautstärke; bewegen Cursor nach links/rechts.
- OK** Ruft die Programmebelegung auf; aktiviert verschiedene Funktionen.
- TXT** Schaltet um zwischen Videotext-Betrieb und TV-Betrieb.
- AV** Wählt AV-Programmplätze und das zuletzt gesehene Fernseh-Programm.
- SCAN** Antwortfreigabe im Videotext-Betrieb.
- PAP** Seitenstop im Videotext-Betrieb.
- SIZE** Wählt Unterseiten im Videotext-Betrieb.
- POS** Blendet die Programminformation ein; aktualisiert eine Seite im Videotext-Betrieb.

AUF EINEN BLICK



-  Wählt verschiedenen Bildeinstellungen an; blättert im Videotext-Betrieb eine Seite zurück.
-  Ruft den TV-Guide (Informationen über die aktuelle und die nächste Sendung) und die Uhrzeit auf; wählt im Videotext-Betrieb eine Seite.
-  Wählt gewünschtes Kapitel im Videotext-Betrieb.
-  Wählt verschiedenen Toneinstellungen an; wählt gewünschtes Thema im Videotext-Betrieb.
- VCR, SAT DVD** Schaltet auf die Bedienung eines GRUNDIG Video-recorders, GRUNDIG Satelliten-Receiver oder GRUNDIG DVD-Players.
Entsprechende Taste (»VCR«, »SAT«, »DVD«) gedrückt halten. Anschließend gewünschte Taste drücken.
Hinweis: Welche Funktionen Sie ausführen können, hängt von der Ausstattung des Gerätes ab. Probieren Sie es einfach aus.

Die Vorderseite des Fernsehgerätes



Ⓜ Schaltet das Fernsehgerät in Bereitschaft (Stand-by) und aus.

P V Schaltet das Fernsehgerät aus Stand-by ein; Vorwahltaaste für Lautstärke oder Programmwahl.

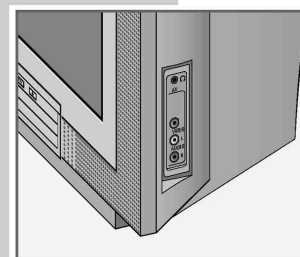
+ Programmwahl aufwärts; Lautstärke vergrößern.

- Programmwahl abwärts; Lautstärke verringern.

R AUDIO L Tonsignaleingang für Camera-recorder.

VIDEO Bildsignaleingang für Camera-recorder.

 Kopfhöreranschluss (3,5 mm ø Klinke).



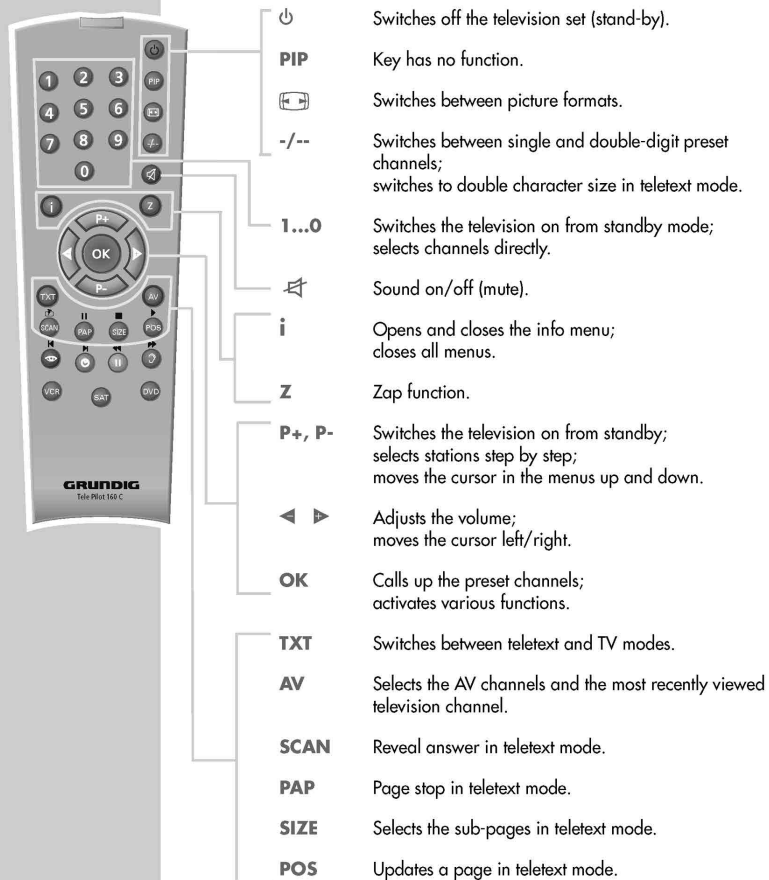
Operating Hints

This chapter contains excerpts from the operating instructions.

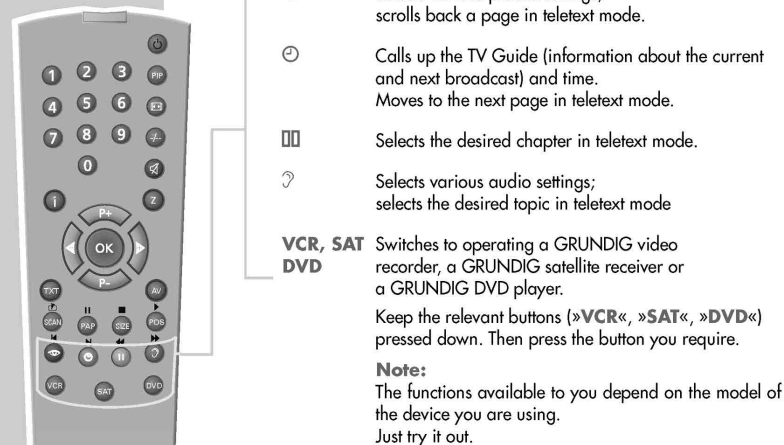
For further particulars please refer to the appropriate user instructions the part number of which is indicated in the relevant spare parts list.

OVERVIEW

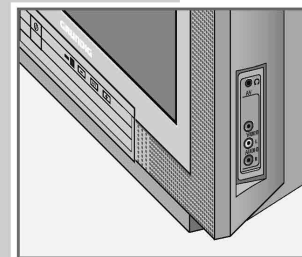
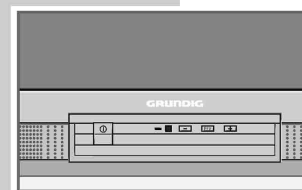
The remote control



OVERVIEW



The front of the television set



- Power**: Switches the television to standby mode and off again.
- P V**: Switches the television on from standby mode. Preset button for volume and channel selection.
- +**: Channel select up. Raise volume.
- : Channel select down. Lower volume.
- Headphone**: Headphone jack (3.5 mm ø jack plug).
- VIDEO**: Video signal input for camcorder.
- R AUDIO L**: Audio signal input for camcorder.

Service- und Sonderfunktionen

- Service Mode aktivieren:** Taste "i" -> Service Code "8500"
- Menü aufrufen:** Taste P+ / P- -> Taste "OK"
- Einstellung verändern:** Taste ◀ / ▶ bzw. 1 / 3, 4 / 6
- Menü verlassen:** Taste "i"
- Service Mode beenden:** Taste "TXT"

1. Grundeinstellwerte

Nachfolgende Tabelle zeigt alle typenbezogenen Grundeinstellungen im Service Mode. Alle mit * gekennzeichneten Werte müssen zusätzlich nach Abgleich (Seite 2-1) eingestellt werden.

Service and Special Functions

- Start of the Service Mode:** Via "i" -> Service Code "8500"
- Call up the Menu:** Press button P+ / P- -> button "OK"
- Adjustment:** Press button ◀ / ▶ or 1 / 3, 4 / 6
- Break of the Menu:** Press button "i"
- End the Service Mode:** Press button "TXT"

1. Basic Settings

The following table shows all type specific basic settings in the service mode. In addition all values marked with * must be adjusted according to adjustment (page 2-1).

Menü Menu P- / P+ + "OK"	Menüpunkt Point of Menu P- / P+	Einstellung Adjustment ◀ / ▶ (-10) 1 / 3 (+10) (-100) 4 / 6 (+100)	Elegance 55 Flat	Elegance 55 Flat	Elegance 55 Flat	Elegance 55 Flat	K 21 PF-2603/8 TOP	Lenaro 55 Flat	Lenaro 55 Flat	Sedance 55	Sedance 55	Xenia 21	Hinweis Hint	
			MF 55-2502 TOP	MF 55-2502/5 Text	MF 55-2502/8 FR/Text	MF 55-2503/8 PL/Text		MF 55-5501 TOP	MF 55-5501/8 Text	ST 55-2502 Text	ST 55-2502/5 TOP	MFS 55-4701/8 TOP		
OPTIONS	STANDBY	CUSTOMER MODE FACTORY MODE	X	X	X	X	X	X	X	X	X	X		
	AV1 YUV	AVAILABLE N/A	X	X	X	X	X	X	X	X	X	X		
	AV2 & AV3	AV2&AV3 AVAILABLE AV2&AV3 N/A								X	X			
	AV4	AV2 AVAIL.-AV3 N/A	X	X	X	X	X	X	X				X	
		CVBS + SVHS	X	X	X	X	X	X	X					
		CVBS ONLY SVHS ONLY NONE								X	X		X	
	TELETEXT	FASTEXT + TOPTXT	X					X	X			X	X	
		DEFAULT												
		FASTEXT		X	X	X				X	X			
		TOPTXT												
	TXT TABLE	AUTO	X	X	X	X	X	X	X	X	X	X	X	
		WEST												
		EAST												
		GREEK												
		CYRILLIC												
		ARABIC												
		FARSI HEBREW												
	LANGUAGE	1	X	X	X	X	X	X	X	X	X	X	X	
		2												
	CRT	4:3	X	X	X	X	X	X	X	X	X	X	X	
		16:9												
	PIP	AVAILABLE												
		N/A	X	X	X	X	X	X	X	X	X	X	X	
	MAIN TUNER	PHILIPS												abhängig von Bestückung depends on assembly
		PAN. DB2G3-DA5G3												
		TEMIC												
		PANASONIC D44G3 SHARP OR ALPS												
	PIP TUNER	PHILIPS												abhängig von Bestückung depends on assembly
		PAN. DB2G3-DA5G3												
		TEMIC												
		PANASONIC D44G3 SHARP OR ALPS												
	SVM & DCI	ON												
		MENU OFF	X	X	X	X	X	X	X	X	X	X	X	
	BLUEBACK	ON	X	X	X	X	X	X	X	X	X	X	X	
		OFF												
	LTI & COMB	ON	X	X	X	X	X	X	X	X			X	
		OFF									X	X		
	CTI	ON												
		MENU OFF	X	X	X	X	X	X	X	X			X	
	DYNAMIC FOCUS	ON												
OFF		X	X	X	X	X	X	X	X	X	X	X		
ADAPTIVE PKG.	ON													
	MENU OFF	X	X	X	X	X	X	X	X	X	X	X		
PROTECTION	BCL ONLY													
	VERTICAL ONLY BCL & VERTICAL													
	N/A	X	X	X	X	X	X	X	X	X	X	X		
PANORAMA	AVAILABLE N/A	X	X	X	X	X	X	X	X	X	X			
KEYBOARD	P- P+ V- V+	X	X	X	X	X	X	X	X			X		
	- P/V +									X	X			
GAME	AVAILABLE													
	N/A	X	X	X	X	X	X	X	X	X	X	X		
ALARM TIMER	AVAILABLE	X	X	X	X			X	X	X	X			
	N/A							X	X	X	X	X		
DEMO MODE	0	X	X	X	X	X	X	X	X	X	X	X		
	1												ATS RESET	

Menü Menu P- / P+ + "OK"	Menüpunkt Point of Menu P- / P+	Einstellung Adjustment ◀ / ▶ (-10) 1 / 3 (+10) (-100) 4 / 6 (+100)	Elegance 55 Flat	Elegance 55 Flat	Elegance 55 Flat	Elegance 55 Flat	K 21 PF-2603/8 TOP	Lenaro 55 Flat	Lenaro 55 Flat	Sedance 55	Sedance 55	Xenia 21	Hinweis Hint
			MF 55-2502 TOP	MF 55-2502/5 Text	MF 55-2502/8 FR/Text	MF 55-2503/6 PL/Text	MF 55-5501 TOP	MF 55-5501/8 Text	ST 55-2502 Text	ST 55-2502/5 TOP	MFS 55-4701/8 TOP		
SOUND OPTIONS	BG	EUROPE	X	X	X	X	X	X	X	X	X	X	
		NEW ZEALAND											
	DK	AUSTRALIA											
		N/A											
	I	AVAILABLE			X	X	X	X	X	X	X	X	X
		N/A	X	X	X	X	X	X	X	X	X	X	X
L/L'	AVAILABLE			X	X	X	X	X	X	X	X	X	
	N/A	X	X	X	X	X	X	X	X	X	X	X	
FM RADIO/TV GUIDE	TV GUIDE	X	X	X	X	X	X	X	X	X	X	X	
	FM RADIO												
SOUND OPTIONS	NICAM	NONE											
		AVAILABLE		X	X	X	X	X	X	X	X	X	
	DOLBY VIRTUAL	N/A	X	X	X	X	X	X	X	X	X	X	
		AVAILABLE											
	BASS OPTION	DYNAMIC BASS											
		SUBWOOFER											
HEADPHONE	NONE	X	X	X	X	X	X	X	X	X	X	X	
	AVAILABLE	X	X	X	X	X	X	X	X	X	X	X	
SOUND OPTIONS	CARRIER MUTE	N/A											
		VIA MSP	X	X	X	X	X	X	X	X	X	X	
	PAT	VIA MICRO											
		AVAILABLE	X	X	X	X	X	X	X	X	X	X	
	SIMPLE HOTEL	N/A	X	X	X	X	X	X	X	X	X	X	
		AVAILABLE											
	HOTEL MAX VOL	EINSTELLWERT/VALUE											
	OSD OFFSET		1020	1020	1020	1020	1020	1020	1020	1020	1020	1020	
	BCL DELTA		50	50	50	50	50	50	50	50	50	50	
		SYNC ONLY											
AGC METHOD	SYNC+PEAK WHITE&DARK												
	FIXED												
TILT	SYNC+PEAK WHITE	X	X	X	X	X	X	X	X	X	X		
	AVAILABLE												
TILT 0	N/A	X	X	X	X	X	X	X	X	X	X		
	AVAILABLE	0	0	0	0	0	0	0	0	0	0		
CRT 4:3, MODE 16:9	DISABLE AUTO CUTOFF												
	VIA FLYBL	X	X	X	X	X	X	X	X	X	X		
IF ADJ.	AGC		4	4	4	4	4	4	4	4	4		
	AGC FOR VHF I		4	4	4	4	4	4	4	4	4		
	PIP AGC		15	15	15	15	15	15	15	15	15		
	PIP AGC FOR VHF I		20	20	20	20	20	20	20	20	20		
50HZ GEOM.	VERTICAL AMPLITUDE*		-250	-250	-250	-250	140	-250	-250	-250	-250	245	
	VERTICAL SHIFT*		2	2	2	2	7	2	2	2	2	5	
	LINEARITY*		20	20	20	20	40	20	20	20	20	0	
	S-CORRECTION*		140	140	140	140	40	140	140	140	140	140	
	VERTICAL ANGLE*		0	0	0	0	0	0	0	0	0	0	
	VERTICAL BOW*		0	0	0	0	0	0	0	0	0	0	
	START LINE MEASUR.		11	11	11	11	11	11	11	11	11	11	
	VER. BLANKING STOP		20	20	20	20	22	20	20	20	20	21	
	VER. BLANKING START		333	333	333	333	333	333	333	333	333	333	
	HORIZONTAL WIDTH*		0	0	0	0	0	0	0	0	0	75	
	HORIZONTAL SHIFT*		-23	-23	-23	-23	-44	-23	-23	-23	-23	-25	
	TRAPEZE CORR. I*		0	0	0	0	0	0	0	0	0	0	
	CUSHION CORR. I*		0	0	0	0	0	0	0	0	0	-120	
	UPPER CORNER 1 I*		0	0	0	0	0	0	0	0	0	40	
	LOWER CORNER 1 I*		0	0	0	0	0	0	0	0	0	40	
	UPPER CORNER 2 I*		0	0	0	0	0	0	0	0	0	0	
LOWER CORNER 2 I*		0	0	0	0	0	0	0	0	0	0		
HOR. BLANKING STOP		215	215	215	215	205	215	215	215	215	210		
HOR. BLANKING START		1235	1235	1235	1235	1245	1235	1235	1235	1235	1235		
HOR. OSD POSITION*		31	31	31	31	31	31	31	31	31	31		
VER. OSD POSITION*		18	18	18	18	18	18	18	18	18	18		
50HZ GEOM. HOR. II	HOR. WIDTH II		110	110	110	110	110	110	110	110	110	110	
	VER ZOOM II		60	60	60	60	68	60	60	60	60	60	
	FLYBL		14	14	14	14	14	14	14	14	14	14	
	TRAPEZE CORR. II*		0	0	0	0	0	0	0	0	0	0	
	CUSHION CORR. II*		0	0	0	0	0	0	0	0	0	-90	
	UPPER CORNER 1 II*		0	0	0	0	0	0	0	0	0	10	
	LOWER CORNER 1 II*		0	0	0	0	0	0	0	0	0	0	
UPPER CORNER 2 II*		0	0	0	0	0	0	0	0	0	0		
LOWER CORNER 2 II*		0	0	0	0	0	0	0	0	0	0		
50HZ GEOM. EHT	EHT TRESHOLD		70	70	70	70	63	70	70	70	70	80	
	EHT TIME CONSTANT		40	40	40	40	60	40	40	40	40	40	
	VERTICAL EHT 1		-162	-162	-162	-162	-110	-162	-162	-162	-162	-130	
	VERTICAL EHT 2		-160	-160	-160	-160	-120	-160	-160	-160	-160	-30	
	HORIZONTAL EHT 1		0	0	0	0	0	0	0	0	0	-45	
	HORIZONTAL EHT 2		0	0	0	0	0	0	0	0	0	-20	
	EHT DTC		0	0	0	0	-50	0	0	0	0	-50	
	EHT P1		0	0	0	0	-49	0	0	0	0	0	
EHT P2		0	0	0	0	-50	0	0	0	0	0		

Alle mit * gekennzeichneten Werte müssen zusätzlich nach Abgleich (Seite 2-1) eingestellt werden.
In addition all values marked with * must be adjusted according to adjustment (page 2-1).

Menü Menu P- / P+ + "OK"	Menüpunkt Point of Menu P- / P+	Einstellung Adjustment ◀ / ▶ (-10) 1 / 3 (+10) (-100) 4 / 6 (+100)	Elegance 55 Flat	Elegance 55 Flat	Elegance 55 Flat	Elegance 55 Flat	K 21 PF-2603/8 TOP	Lenaro 55 Flat	Lenaro 55 Flat	Sedance 55	Sedance 55	Xenia 21	Hinweis Hint	
			MF 55-2502 TOP	MF 55-2502/5 Text	MF 55-2502/8 FR/Text	MF 55-2503/6 PL/Text	MF 55-5501 TOP	MF 55-5501/8 Text	ST 55-2502 Text	ST 55-2502/5 TOP	MFS 55-4701/8 TOP			
60HZ GEOM.	VERTICAL AMPLITUDE*		-206	-206	-206	-206	210	-206	-206	-206	-206	280		
	VERTICAL SHIFT*		9	9	9	9	17	9	9	9	9	10		
	LINEARITY*		0	0	0	0	40	0	0	0	0	0		
	S-CORRECTION*		-41	-41	-41	-41	-30	-41	-41	-41	-41	140		
	VERTICAL ANGLE*		0	0	0	0	0	0	0	0	0	0		
	VERTICAL BOW*		0	0	0	0	0	0	0	0	0	0		
	START LINE MEASUR.		11	11	11	11	12	11	11	11	11	11		
	VER. BLANKING STOP		18	18	18	18	18	18	18	18	18	18	21	
	VER. BLANKING START		333	333	333	333	333	333	333	333	333	333	333	
	HORIZONTAL WIDTH*		0	0	0	0	0	0	0	0	0	0	70	
	HORIZONTAL SHIFT*		-42	-42	-42	-42	-61	-42	-42	-42	-42	-42	-35	
	TRAPEZE CORR. I*		0	0	0	0	0	0	0	0	0	0	0	
	CUSHION CORR. I*		0	0	0	0	0	0	0	0	0	0	-125	
	UPPER CORNER 1 I*		0	0	0	0	0	0	0	0	0	0	50	
	LOWER CORNER 1 I*		0	0	0	0	0	0	0	0	0	0	50	
	UPPER CORNER 2 I*		0	0	0	0	0	0	0	0	0	0	0	
	LOWER CORNER 2 I*		0	0	0	0	0	0	0	0	0	0	0	
HOR. BLANKING STOP		190	190	190	190	183	190	190	190	190	190	190		
HOR. BLANKING START		1225	1225	1225	1225	12354	1225	1225	1225	1225	1225	1225		
HOR. OSD POSITION*		18	18	18	18	16	18	18	18	18	18	18		
VER. OSD POSITION*		6	6	6	6	8	6	6	6	6	6	20		
60HZ GEOM. HOR. II	HOR. WIDTH II		110	110	110	110	0	110	110	110	110	110		
	VER ZOOM II		60	60	60	60	65	60	60	60	60	60		
	CUTOFF TIMER		10	10	10	10	10	10	10	10	10	10		
	TRAPEZE CORR. II*		0	0	0	0	0	0	0	0	0	0		
	CUSHION CORR. II*		0	0	0	0	0	0	0	0	0	0	-120	
	UPPER CORNER 1 II*		0	0	0	0	0	0	0	0	0	0	70	
	LOWER CORNER 1 II*		0	0	0	0	0	0	0	0	0	0	0	
	UPPER CORNER 2 II*		0	0	0	0	0	0	0	0	0	0	0	
LOWER CORNER 2 II*		0	0	0	0	0	0	0	0	0	0	0		
60HZ GEOM. EHT	EHT TRESHOLD		80	80	80	80	50	80	80	80	80	80		
	EHT TIME CONSTANT		40	40	40	40	40	40	40	40	40	40		
	VERTICAL EHT 1		-93	-93	-93	-93	-123	-93	-93	-93	-93	-180		
	VERTICAL EHT 2		-80	-80	-80	-80	-120	-80	-80	-80	-80	90		
	HORIZONTAL EHT 1		0	0	0	0	0	0	0	0	0	30		
	HORIZONTAL EHT 2		0	0	0	0	0	0	0	0	0	-230		
	EHT DTC		0	0	0	0	-50	0	0	0	0	0		
	EHT P1		0	0	0	0	-50	0	0	0	0	0		
EHT P2		0	0	0	0	-55	0	0	0	0	0			
VIDEO ADJ. I	R. DRIVE		356	356	356	356	356	356	356	356	356	356		
	G. DRIVE		356	356	356	356	356	356	356	356	356	356		
	B. DRIVE		356	356	356	356	356	356	356	356	356	356		
	R. CUTOFF		156	156	156	156	156	156	156	156	156	156		
	G. CUTOFF		156	156	156	156	156	156	156	156	156	156		
	B. CUTOFF		156	156	156	156	156	156	156	156	156	156		
	IBRM		270	270	270	270	280	270	270	270	270	320		
	WDRM		290	290	290	290	270	290	290	290	290	370		
	SCREEN ADJ.		296	296	296	296	297	296	296	296	296	300		
VIDEO ADJ. II	BCL GAIN		270	270	270	270	280	270	270	270	270	360		
	BCL TRESHOLD		200	200	200	200	180	200	200	200	200	150		
	BCL TRESHOLD II		130	130	130	130	175	130	130	130	130	80		
	BCL TIME CONSTANT 1		511	511	511	511	511	511	511	511	511	511		
	BCL TIME CONSTANT 2		0	0	0	0	0	0	0	0	0	0		
	OSD BRIGHTNESS		120	120	120	120	130	120	120	120	120	190		
	OSD CONTRAST		140	140	140	140	120	140	140	140	140	190		
	TXT BRIGHTNESS		110	110	110	110	100	110	110	110	110	110		
	TXT CONTRAST		110	110	110	110	120	110	110	110	110	160		
	VC DELAY FOR PAL		9	9	9	9	9	9	9	9	9	9		
	VC DELAY FOR SECAM		2	2	2	2	2	2	2	2	2	2		
	VC DELAY FOR NTSC		10	10	10	10	10	10	10	10	10	10		
	SUBCARRIER ADJ.		18	18	18	18	18	18	18	18	18	18		
VIDEO ADJ. III	DPWL GAIN		-300	-300	-300	-300	-300	-300	-300	-300	-300	-250		
	DPWL START P.		400	400	400	400	500	400	400	400	400	450		
	PWL TIME CONSTANT		1	1	1	1	1	1	1	1	1	1		
	PWL		90	90	90	90	70	90	90	90	90	90		
	SVM GAIN		0	0	0	0	0	0	0	0	0	0		
	SVM CORING		0	0	0	0	0	0	0	0	0	0		
	SVM LIMITER		0	0	0	0	0	0	0	0	0	0		
	SVM DELAY		0	0	0	0	0	0	0	0	0	0		
SVM DIFF. WINDOW		0	0	0	0	0	0	0	0	0	0			
PIP POSITION														
EE PROM EDIT	ADDRESS DATA (HEX)	---H												
	DATA (BINARY)	00H 0000 0000B												
PRESET	OPTIONS													
	SOUND OPTIONS													
	IF ADJ.													
	GEOMETRY ADJ. VIDEO ADJ. ALL OPTIONS & ADJ.													

Alle mit * gekennzeichneten Werte müssen zusätzlich nach Abgleich (Seite 2-1) eingestellt werden.
In addition all values marked with * must be adjusted according to adjustment (page 2-1).

2. Austausch des IC101 oder IC401

Nach Austausch des IC101 oder IC401 müssen alle Einstellungen im Service Mode nach Tabelle "Grundeinstellwerte" (Punkt 1) überprüft und gegebenenfalls durchgeführt werden.

3. Programmsuchlauf (ATS)

Tasten "i" (Hauptmenü) → P+ / P- "Suchen/Abstimmung" → "OK" → P+ / P- "Programmsuchlauf" → "OK" → P+ / P- / ◀ / ▶ Land auswählen und mit "OK" Suchlauf starten.

Das automatische Sendersuchsystem stoppt bei jedem empfangswürdigen Sender (AFC und Koinzidenz) und speichert automatisch die entsprechenden Senderdaten mit dem jeweiligen Standard. Danach wird der Suchlauf fortgesetzt.

Tastendruck "i" bricht den ATS-Lauf ab.

4. Software-Versionsnummer

Die TV-Software-Versionsnummer wird im Service Menü angezeigt:

z.B. SK1256G-02 T01
15:59:17
23/02/05 F1

5. Testbild

- Service Mode aktivieren: "i" → "8500"
- Taste "AV" drücken.

6. EEPROM Edit

Diese Funktion ist ausschließlich für die Entwicklung. Bei Eingaben jeglicher Art sind die Gerätefunktionen nicht mehr gewährleistet.

7. Basiswerte "PRESET"

Achtung: Der Aufruf der einzelnen "PRESET" überschreibt gerätespezifische Parameter mit Basiswerten. Die Gerätefunktionen sind nach dem Aufruf dieser Funktionen nicht mehr gewährleistet. Alle Einstellungen im Service Mode **müssen** gemäß der Tabelle "Grundeinstellwerte" (Punkt 1) durchgeführt werden.

Aufruf: "i" → "8500" → P+ / P- "PRESET" → "OK".

Es können folgende Basiswerte geladen werden:

- Options
- Sound Options
- IF Adj.
- Geometry Adj.
- Video Adj.
- All Options & Adj.

8. Hotel-Mode

Bei aktivierter Funktion ist die maximale Lautstärke begrenzt und die Programmtabelle und Installation sind im MENU INFO nicht mehr enthalten.

Aufruf: "i" → "8500" → P+ / P- "SOUND OPTIONS" → "OK" → P+ / P- "SIMPLE HOTEL" → ◀ / ▶ "AVAILABLE".

Maximale Lautstärke: "i" → "8500" → P+ / P- "SOUND OPTIONS" → "OK" → P+ / P- "HOTEL MAX VOL" → ◀ / ▶ Wert 0...63.

8.1 Sonderfunktion bei aktiviertem Hotel-Mode

Bei dieser Sonderfunktion ist im Menü Ton die maximale Lautstärke "Maxvol" zusätzlich einstellbar. Des Weiteren sind die Menüs Programmtabelle und Sonderfunktionen bis zum nächsten Ausschalten (Standby) des Gerätes verfügbar.

Aufruf: "i" → P+ / P- "Sonderfunktionen" → "OK" → Codezahl "4658"

2. Change of the IC101 or IC401

After changing the IC101 or IC401 all settings in the service mode must be checked and if necessary be done according to the table "Basic Settings" (point 1).

3. Autoprogram (ATS)

Buttons "i" (Main menu) → P+ / P- "Channel Settings" → "OK" → P+ / P- "Autoprogram" → "OK" → P+ / P- / ◀ / ▶ select Country and start search with "OK".

The autoprogram system stops at every station of acceptable reception quality (AFC and coincidence) and stores the station data and the respective standard automatically. The system then continues searching.

Pressing the "i" button stops the ATS function.

4. Software Version Number

The TV software version number is shown in the Service Menu:

e.g. SK1256G-02 T01
15:59:17
23/02/05 F1

5. Test Pattern

- Activate the service mode: "i" → "8500"
- Press button "AV".

6. EEPROM Edit

This function is only for development. Any settings may cause a defectiv set.

7. Basic values "PRESET"

Attention: All device-specific values will be replaced by basic values when calling up any "PRESET". The unit functions are not ensured after calling up any presets. All settings in the service mode **must** be done according to the table "Basic Settings" (point 1).

Call up: "i" → "8500" → P+ / P- "PRESET" → "OK".

The following basic values can be loaded:

- Options
- Sound Options
- IF Adj.
- Geometry Adj.
- Video Adj.
- All Options & Adj.

8. Hotel Mode

Maximum volume is limited and there is no access to "Preset List" and "Channel Settings" at activated hotel mode.

Call up: "i" → "8500" → P+ / P- "SOUND OPTIONS" → "OK" → P+ / P- "SIMPLE HOTEL" → ◀ / ▶ "AVAILABLE".

Maximum volume: "i" → "8500" → P+ / P- "SOUND OPTIONS" → "OK" → P+ / P- "HOTEL MAX VOL" → ◀ / ▶ Value 0...63.

8.1 Special Functions at activated Hotel Mode

The maximum volume can be adjusted in the additionally menu item "Maxvol" in the sound menu.

In addition there is access to the menus "Preset List" and "Channel Settings" until the set is switched off (standby).

Call up: "i" → P+ / P- "Settings" → "OK" → Code number "4658"

Abgleich

Messgeräte: Digitalvoltmeter, Farbbildgenerator.

Servicearbeiten nach Austausch bzw. Reparatur:

- **Netzteil:** Abgleich 1, 2
- **IC401 (EEPROM):** Abgleich 3...5
- **Bildröhre:** Abgleich 2...5
- **Bildrohrplatte:** Abgleich 2, 4, 5
- **Ablenkung:** Abgleich 3

Service Menü aufrufen: Taste " i " drücken -> "8500" eingeben.

Untermenüs mit den Tasten **P+ / P-** anwählen und mit **OK** aufrufen.

Menüpunkte mit den Tasten **P+ / P-** anwählen und mit den Tasten **◀ / ▶** Werte ändern. Zurück zum Hauptmenü mit Taste " i ".

Service Menü beenden: Taste "TXT" drücken.

1. Spannung B+

- Digitalvoltmeter: D609 Kathode
- Programm: AV
- Helligkeit auf Minimum.
- **Spannung B+** mit **P601** abhängig von der verwendeten Bildröhre entsprechend der Variantenliste (Seite 3-14) einstellen.

2. Screen

- Service Mode aufrufen: Taste " i " drücken -> "8500" eingeben.
- **BLUEBLACK** im Service Menü **OPTIONS** mit den Tasten **P+ / P-** anwählen und mit den Tasten **◀ / ▶** auf **OFF** stellen. Taste " i " drücken (zurück zu Hauptmenü).
- **SCREEN ADJ** im Service Menü **VIDEO ADJ. I** mit den Tasten **P+ / P-** anwählen und mit den Tasten **◀ / ▶** auf **auf den Wert nach Tabelle** (S.1-12) stellen. Taste **OK** drücken -> horizontale Linie erscheint.
- **SCREEN** -Regler am Dioden-Splitt-Trafo TR502 so einstellen, dass die Linie gerade sichtbar ist.
- Service Mode beenden: Taste "TXT" drücken.

3. Geometrie

Dieser Abgleich ist jeweils für PAL/SECAM (50Hz) und NTSC (60Hz) getrennt durchzuführen. PAL-Geometrie-Testbild bei 50Hz-Geometrieabgleich und NTSC-Geometrie-Testbild bei 60Hz-Geometrieabgleich an AV1-Buchse einspeisen.

- Alle Werte des Untermenüs **50HZ GEOM. EHT** nach Tabelle (S.1-11) einstellen.
- Alle Werte des Untermenüs **50HZ GEOM.** nach Tabelle einstellen. Anschließend alle in der Tabelle mit * markierten Menüpunkte dieses Menüs nach Testbild abgleichen.
- Bei 16:9-Geräten Bildformat 4:3 und bei 4:3-Geräten Bildformat 16:9 einstellen. Alle Werte des Untermenüs **50HZ GEOM. HOR. II** nach Tabelle (S.1-11) einstellen. Anschließend alle in der Tabelle mit * markierten Menüpunkte dieses Menüs nach Testbild abgleichen.

Nachfolgend den 60Hz-Geometrie-Abgleich mit den Untermenüs **60HZ GEOM. EHT, 60HZ GEOM. und 60HZ GEOM. HOR. II** analog zum 50Hz-Geometrie-Abgleich durchführen.

4. Weißwert-Einstellung

- Weiß-Bild einspeisen.
- **G.DRIVE** im Untermenü **VIDEO ADJ. I** auf **356** einstellen.
- Die Werte von **R.DRIVE** und **B.DRIVE** so einstellen, dass das Bild unbunt ist. Lässt sich der Weißwert nicht korrekt einstellen, **G.DRIVE** etwas verstellen.

5. Schwarzwert-Einstellung

- Schwarz-Bild einspeisen.
- **G.CUTOFF** im Untermenü **VIDEO ADJ. I** auf **156** einstellen.
- Die Werte von **R.CUTOFF** und **B.CUTOFF** so einstellen, dass das Bild unbunt ist.
- Lässt sich der Schwarzwert nicht korrekt einstellen, **G.CUTOFF** etwas verstellen.

Adjustment

Measuring instruments: Digital voltmeter, colour video generator.

Service works after replacement or repair of following modules:

- **Power supply:** adjustment 1, 2
- **IC401 (EEPROM):** adjustment 3...5
- **CRT:** adjustment 2...5
- **CRT panel:** adjustment 2, 4, 5
- **Deflection:** adjustment 3

Call up the Service Menu: Press button " i " -> enter "8500".

Select **Submenus** with buttons **P+ / P-** and enter with button **OK**.

Select **menu items** with buttons **P+ / P-** and adjust the values with buttons **◀ / ▶**. Back to main menu with button " i ".

End the service menu: Press button "TXT".

1. Supply Voltage B+

- Digital voltmeter: D609 cathode.
- Programme: AV.
- Brightness control to minimum.
- Adjust **voltage B+** with **P601** depending on CRT according on the variant list (page 3-14).

2. Screen

- Start the Service Mode: press button " i " -> enter "8500".
- Select **BLUEBLACK** in service menu **OPTIONS** with buttons **P+ / P-** and set to **OFF** with buttons **◀ / ▶**. Press button " i " (back to main menu).
- Select **SCREEN ADJ** in service menu **VIDEO ADJ. I** with buttons **P+ / P-** and set to **the value of table** (p.1-12) with buttons **◀ / ▶**. Press button **OK** -> horizontal line appears.
- Adjust **SCREEN** control at TR502 so that the line is just visible.
- End the Service Mode: Press button "TXT".

3. Geometry

This adjustment must be done for PAL/SECAM (50Hz) separately as well as NTSC (60Hz). Feed in a PAL geometry test pattern at 50Hz geometry adjustment and a NTSC geometry test pattern at 60Hz geometry adjustment via AV1 socket.

- Set all values of submenu **50HZ GEOM. EHT** according to table (p.1-14).
- Set all values of submenu **50HZ GEOM.** according to table (p.1-11). Afterwards set all in the table with * marked items of this menu according to test pattern.
- Switch at 16:9 units to picture format 4:3 and at 4:3 units to picture format 16:9. Set all items in the table of submenu **50HZ GEOM. HOR. II** according to table (p.1-11). Afterwards set all in the table with * marked items of this menu according to test pattern.

Afterwards carry out the 60Hz geometry adjustment of the submenus **60HZ GEOM. EHT, 60HZ GEOM. and 60HZ GEOM. HOR. II** analog to the 50Hz geometry adjustment.

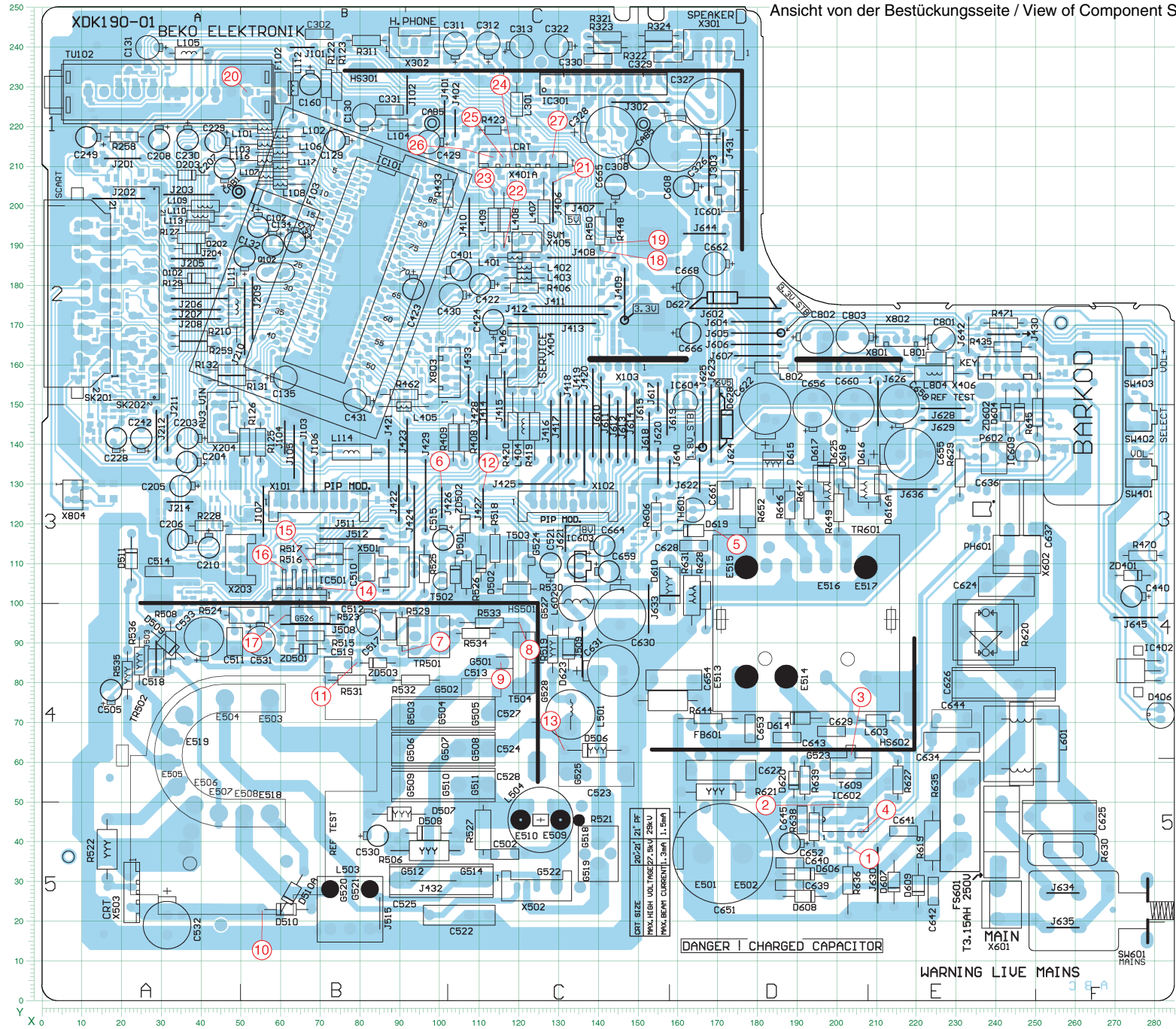
4. White Level Adjustment

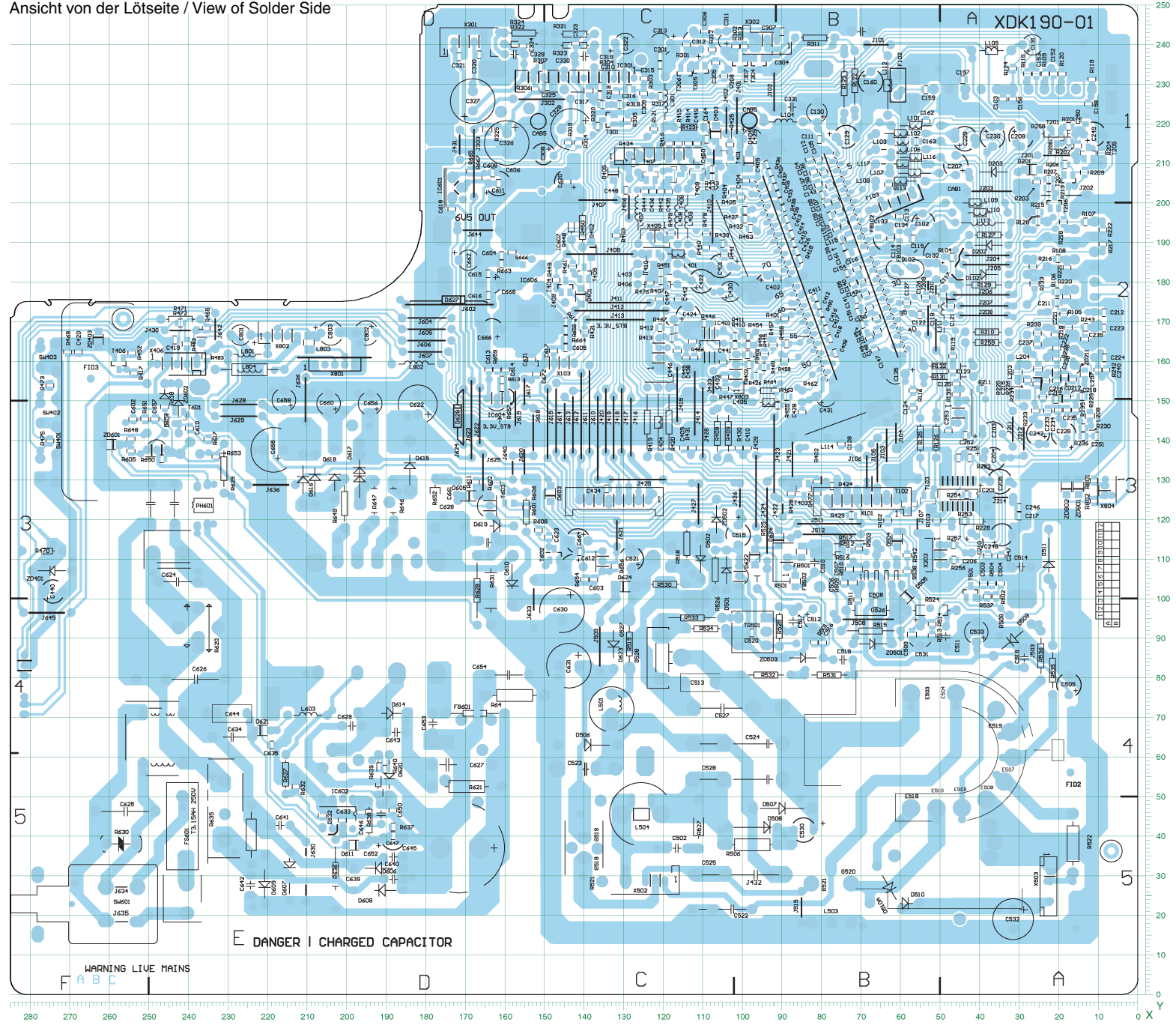
- Feed in a white pattern.
- Set **G.DRIVE** in submenu **VIDEO ADJ. I** to **356**.
- Adjust **R.DRIVE** and **B.DRIVE** so that the picture becomes achromatic. If white colour can not be setted, change the value of **G.DRIVE**.

5. Black Level Adjustment

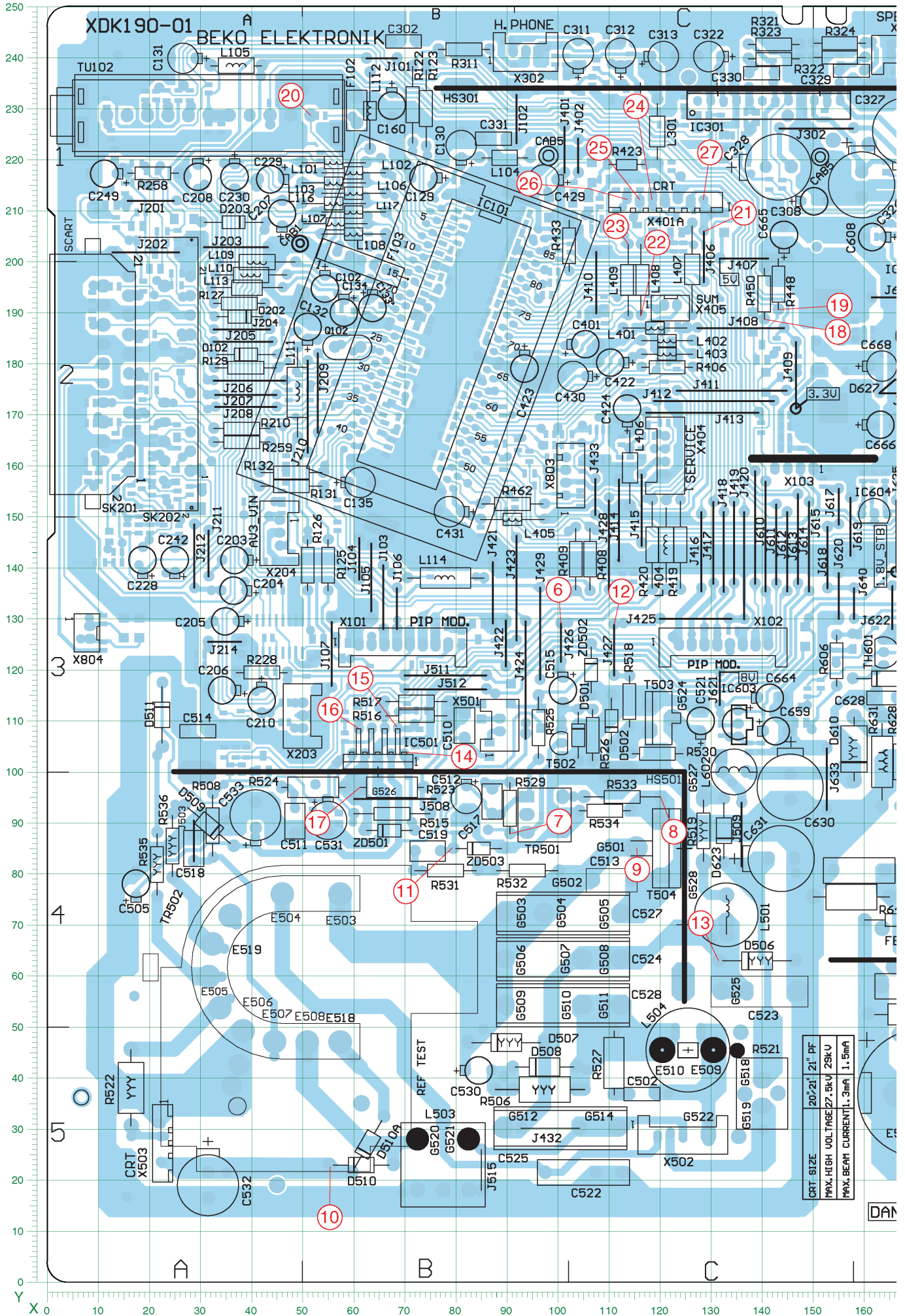
- Feed in a black pattern.
- Set **G.CUTOFF** in submenu **VIDEO ADJ. I** to **156**.
- Adjust **R.CUTOFF** and **B.CUTOFF** so that the picture becomes achromatic. If black colour can not be setted, change the value of **G.CUTOFF**.

Ansicht von der Bestückungsseite / View of Component Side

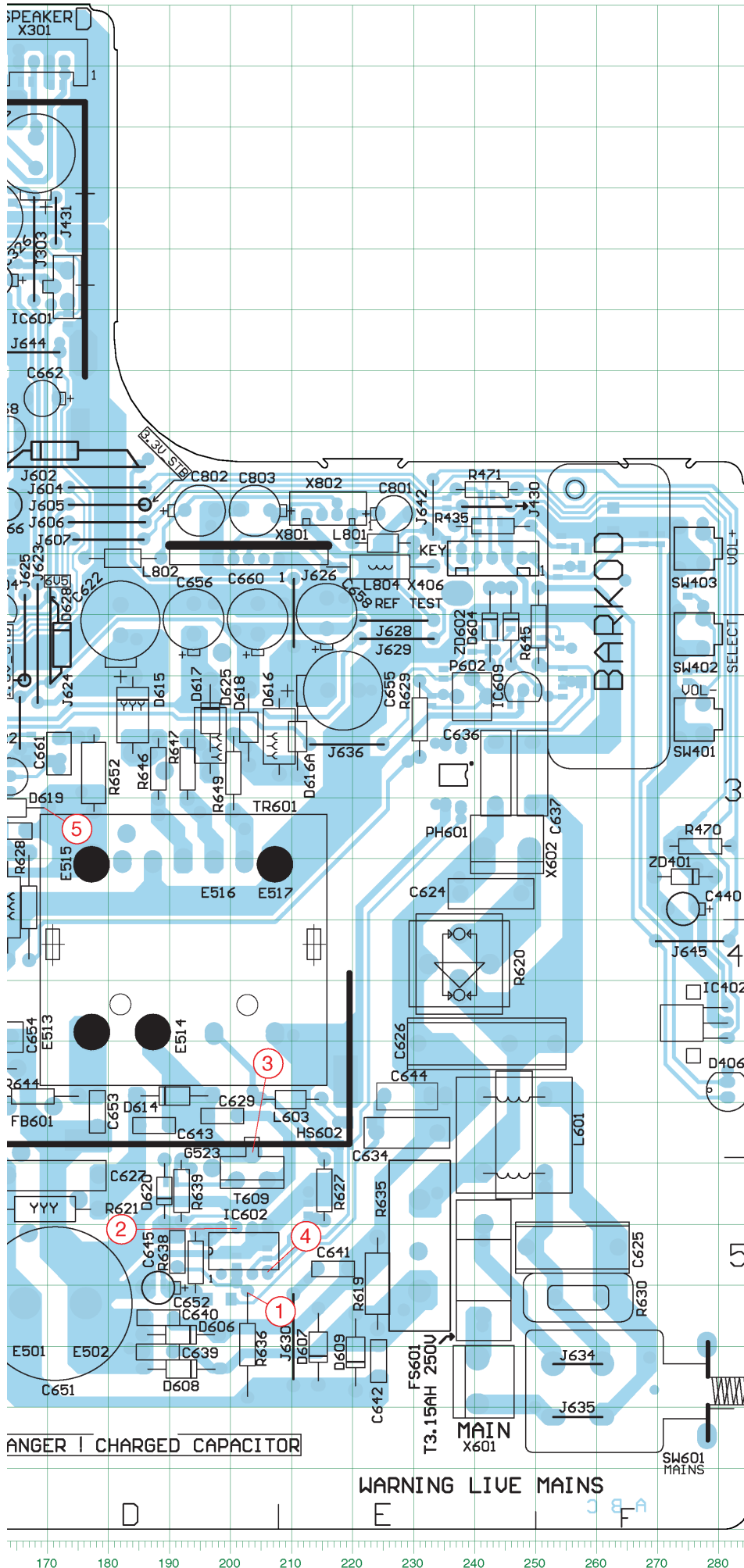




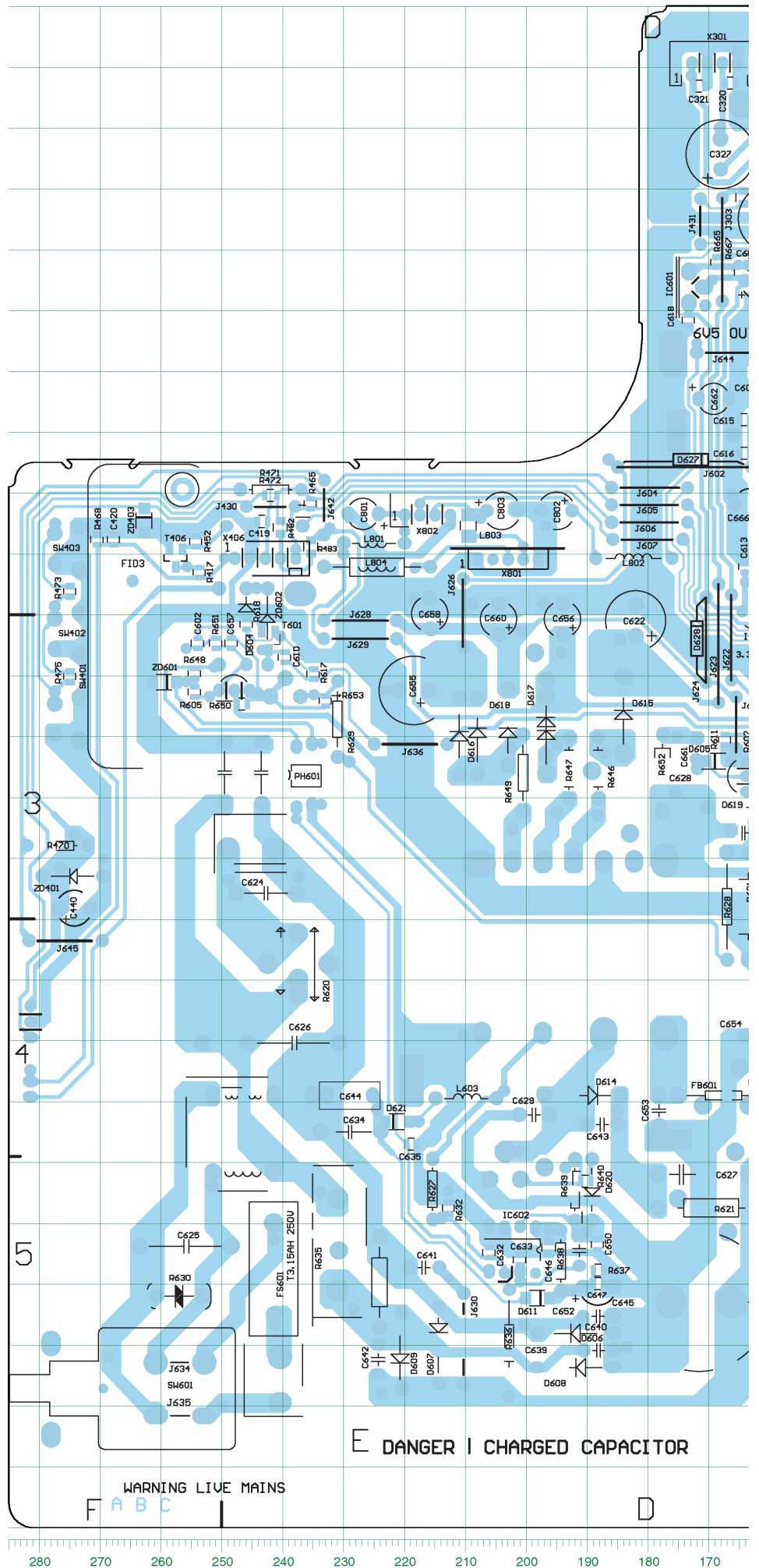
Ansicht von der Bestückerseite / View of Component Side



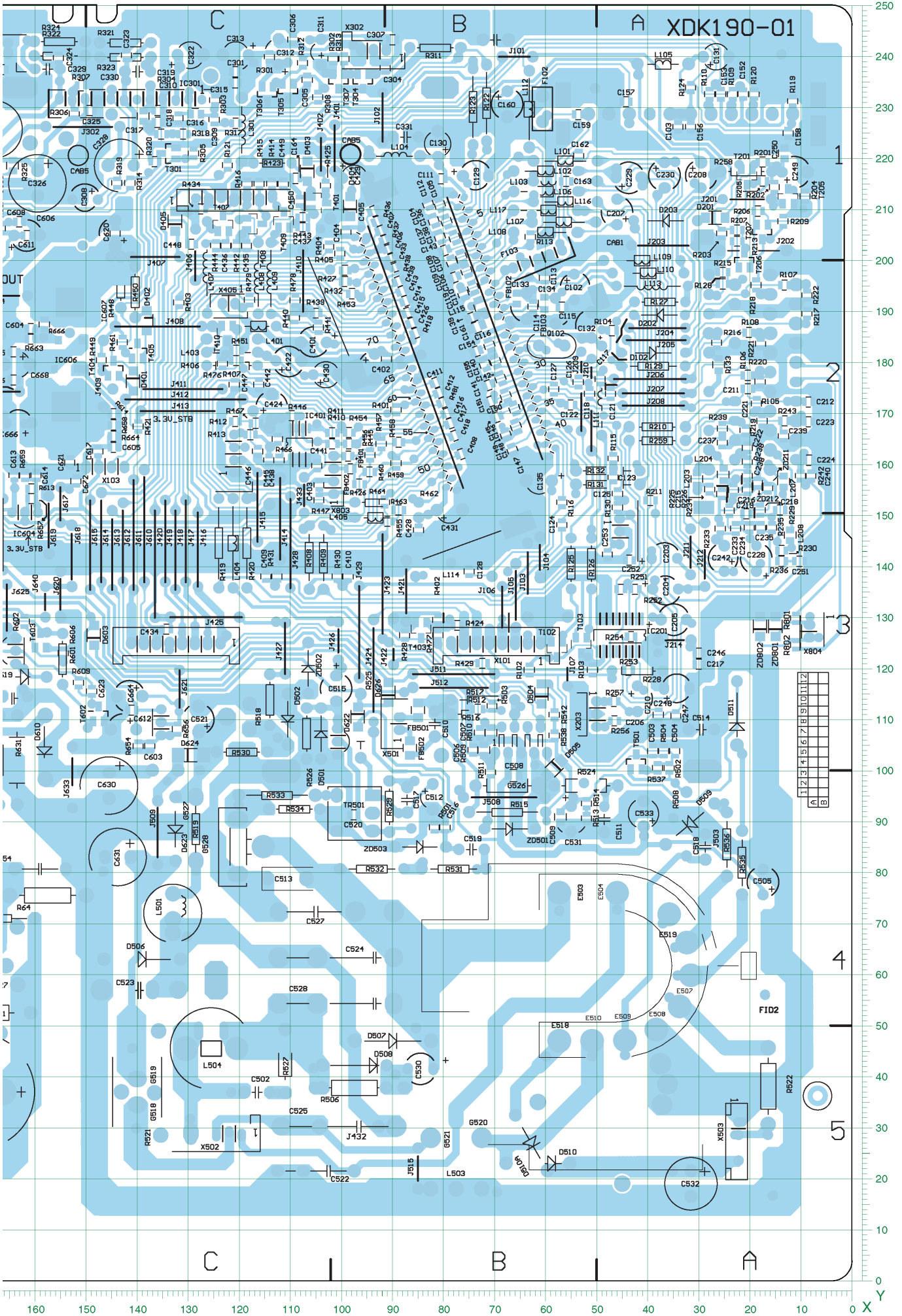
Ansicht von der Bestückungsseite / View of Component Side



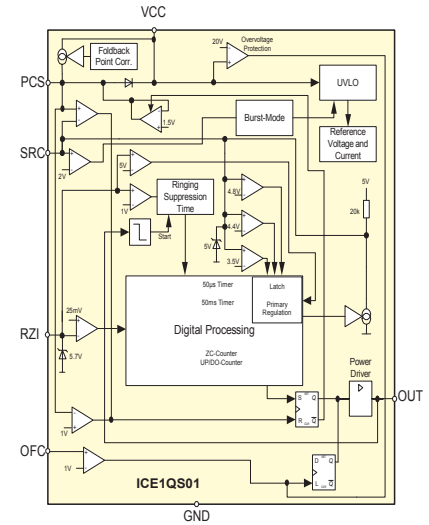
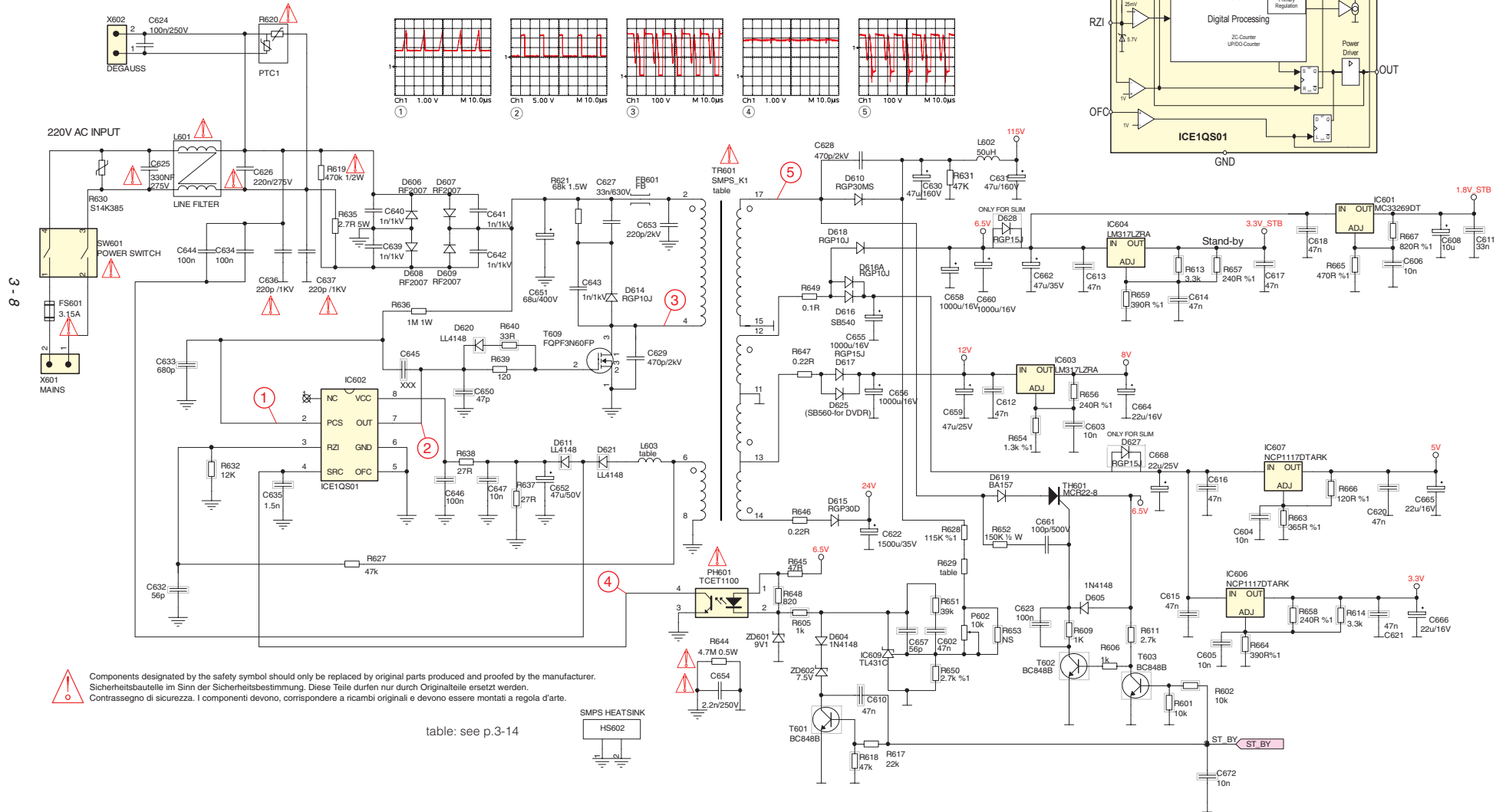
Ansicht von der Lötseite / View of Solder Side



Ansicht von der Lötseite / View of Solder Side



Chassisplatte – Netzteil / Chassis Board – Power Supply



Chassisplatte – Ablenkung / Chassis Board – Deflection

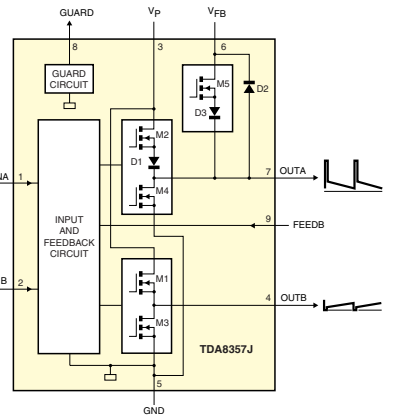
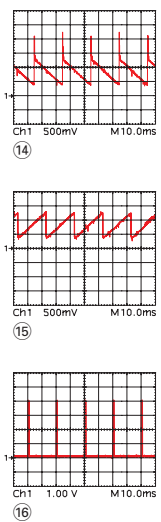
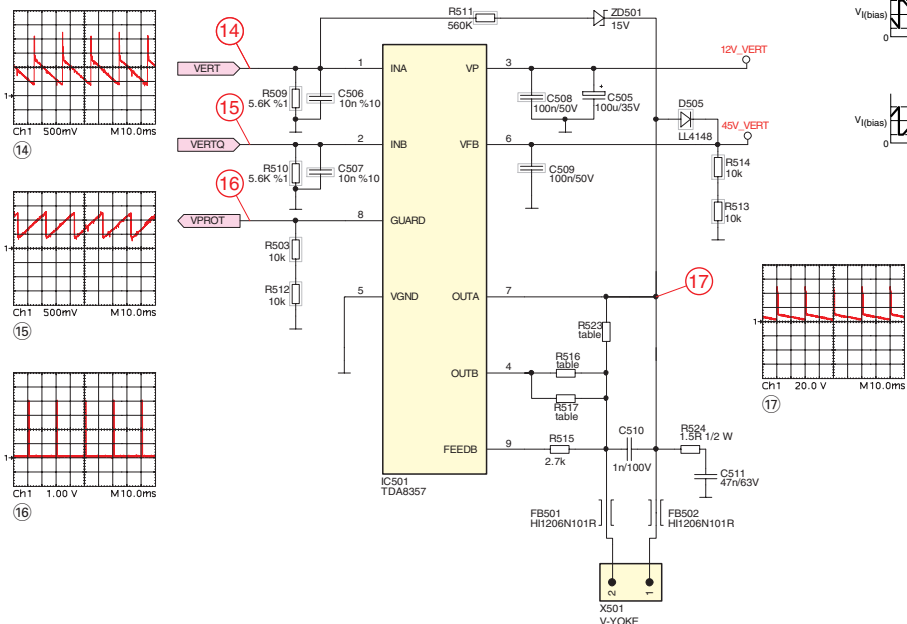
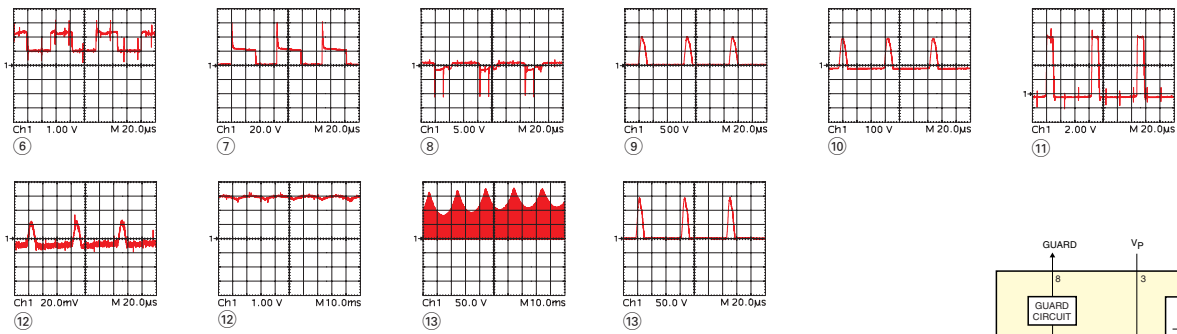
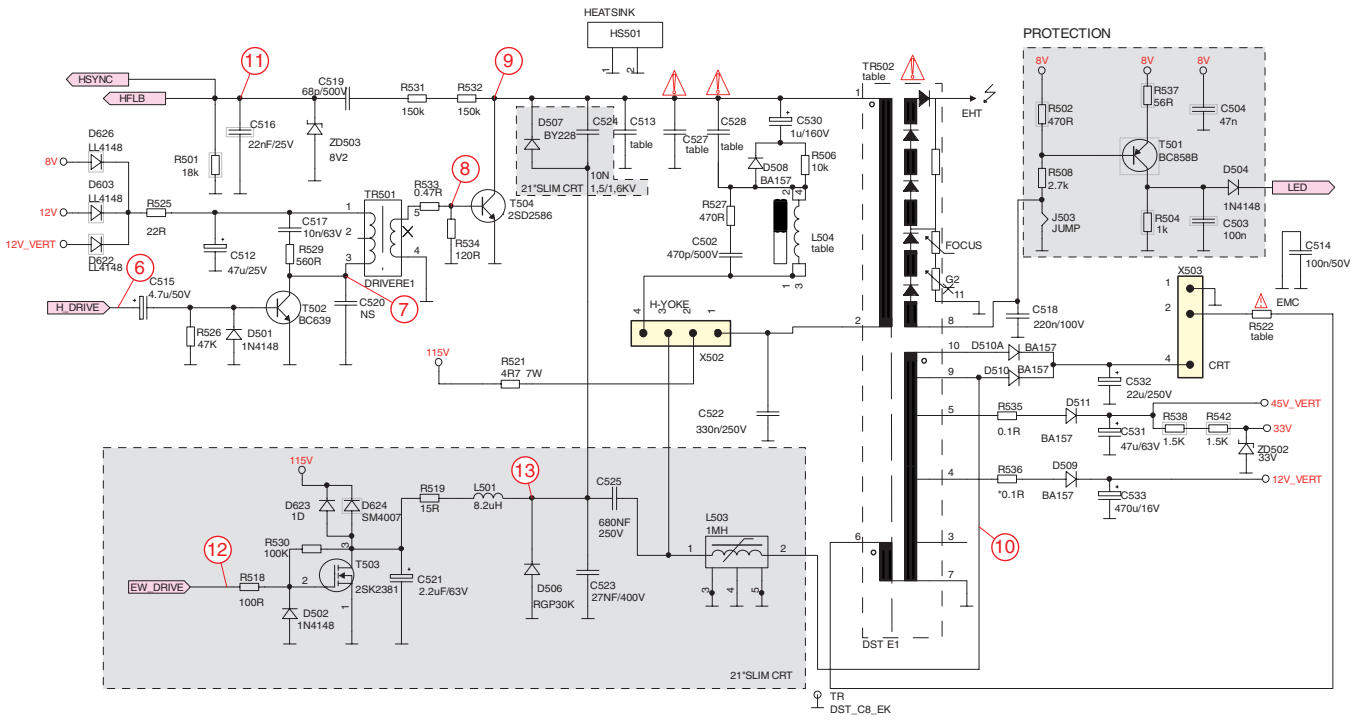
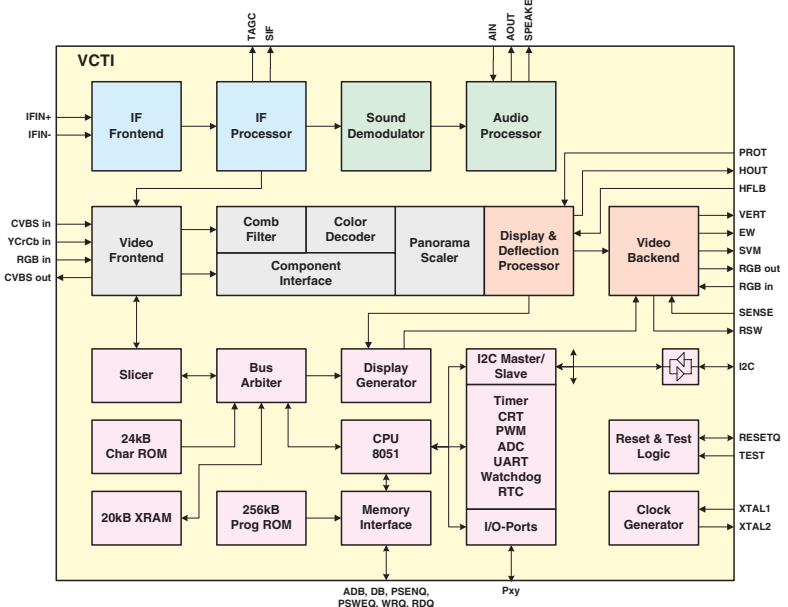
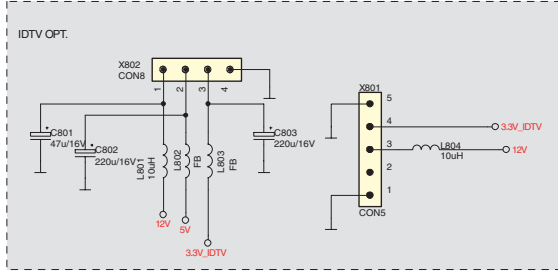
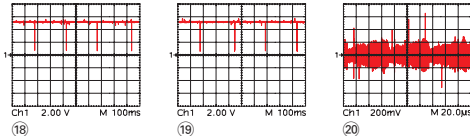
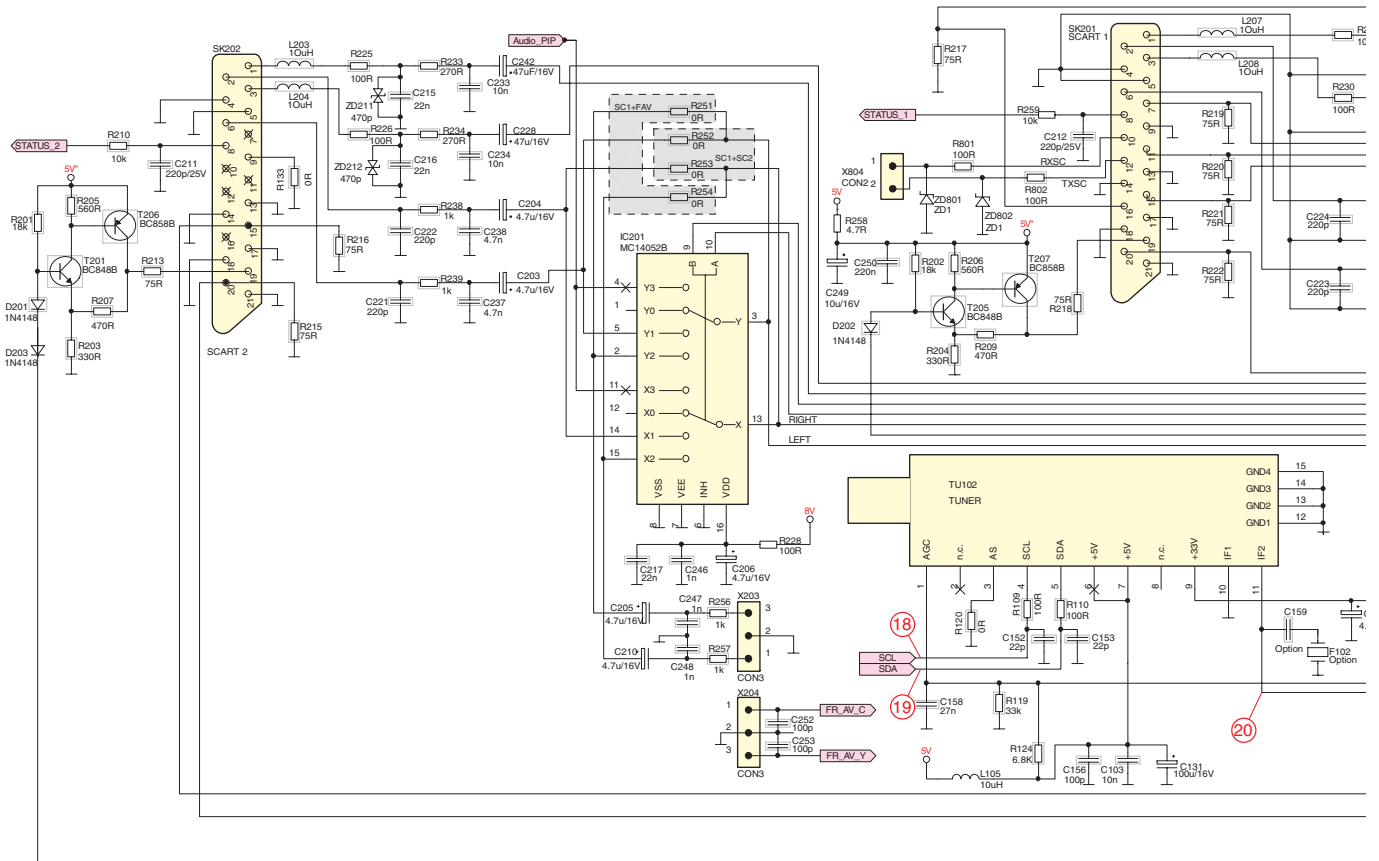
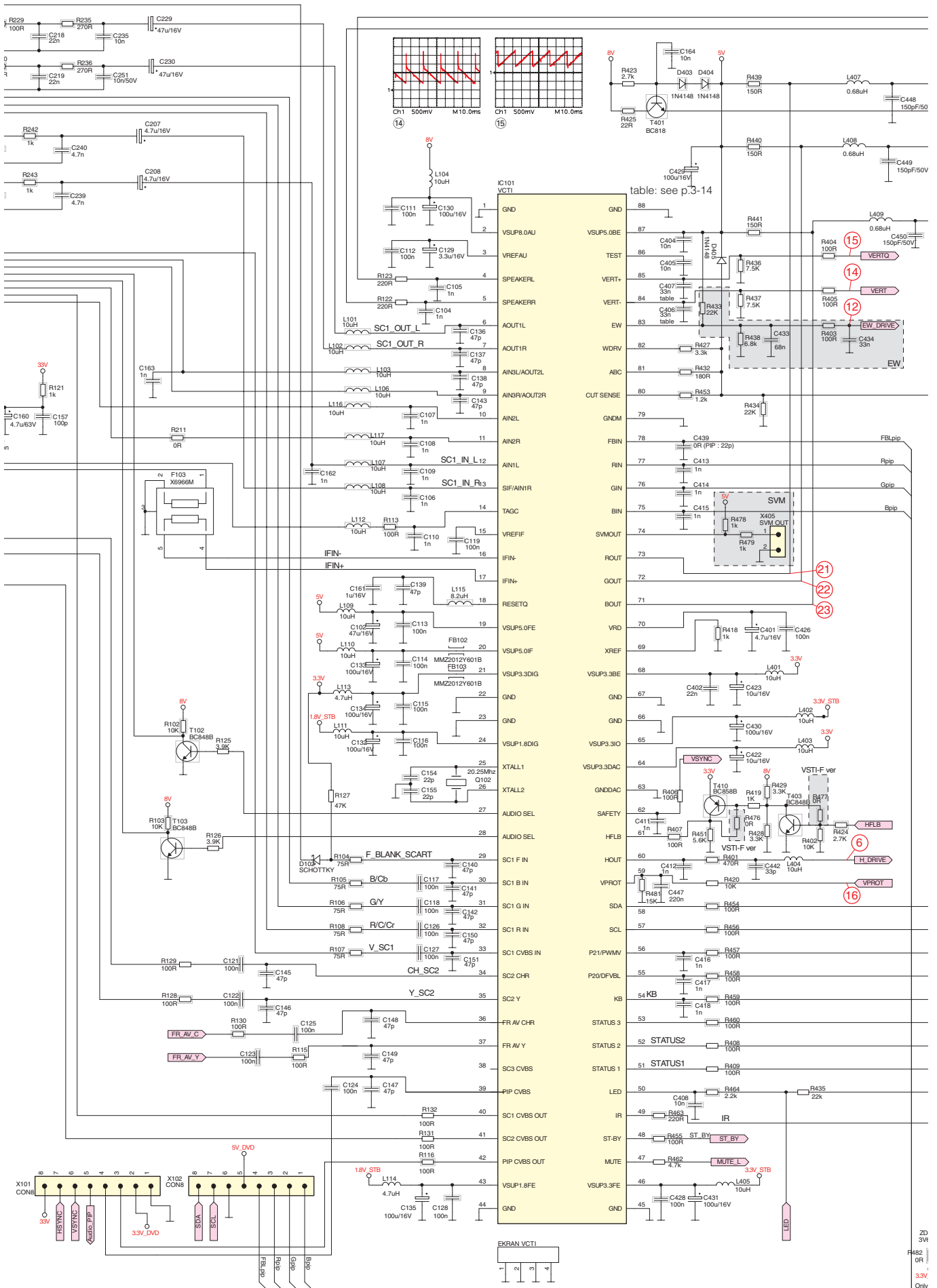


table: see p.3-14

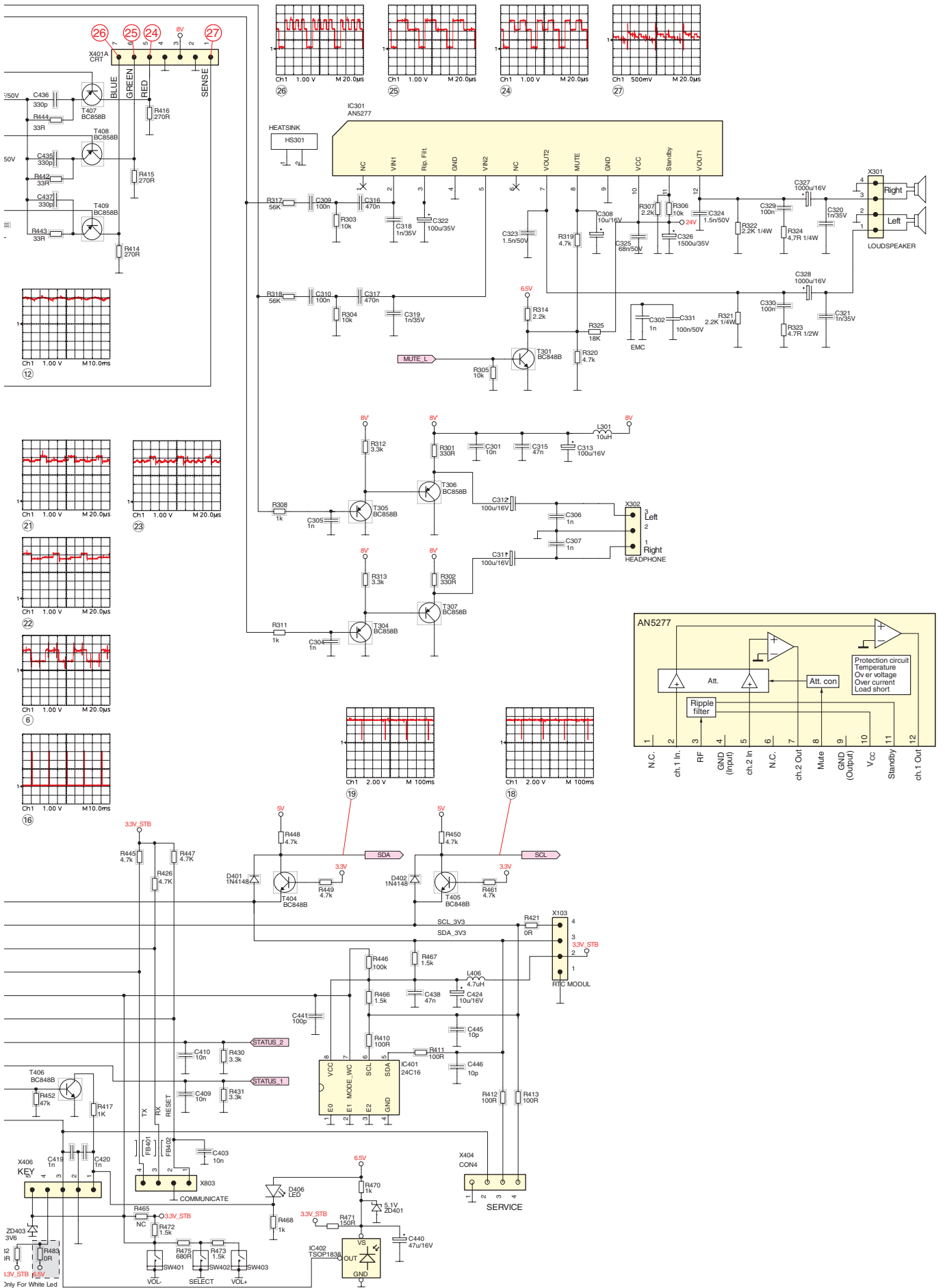
Chassisplatte – Hauptteil / Chassis Board – Main Part



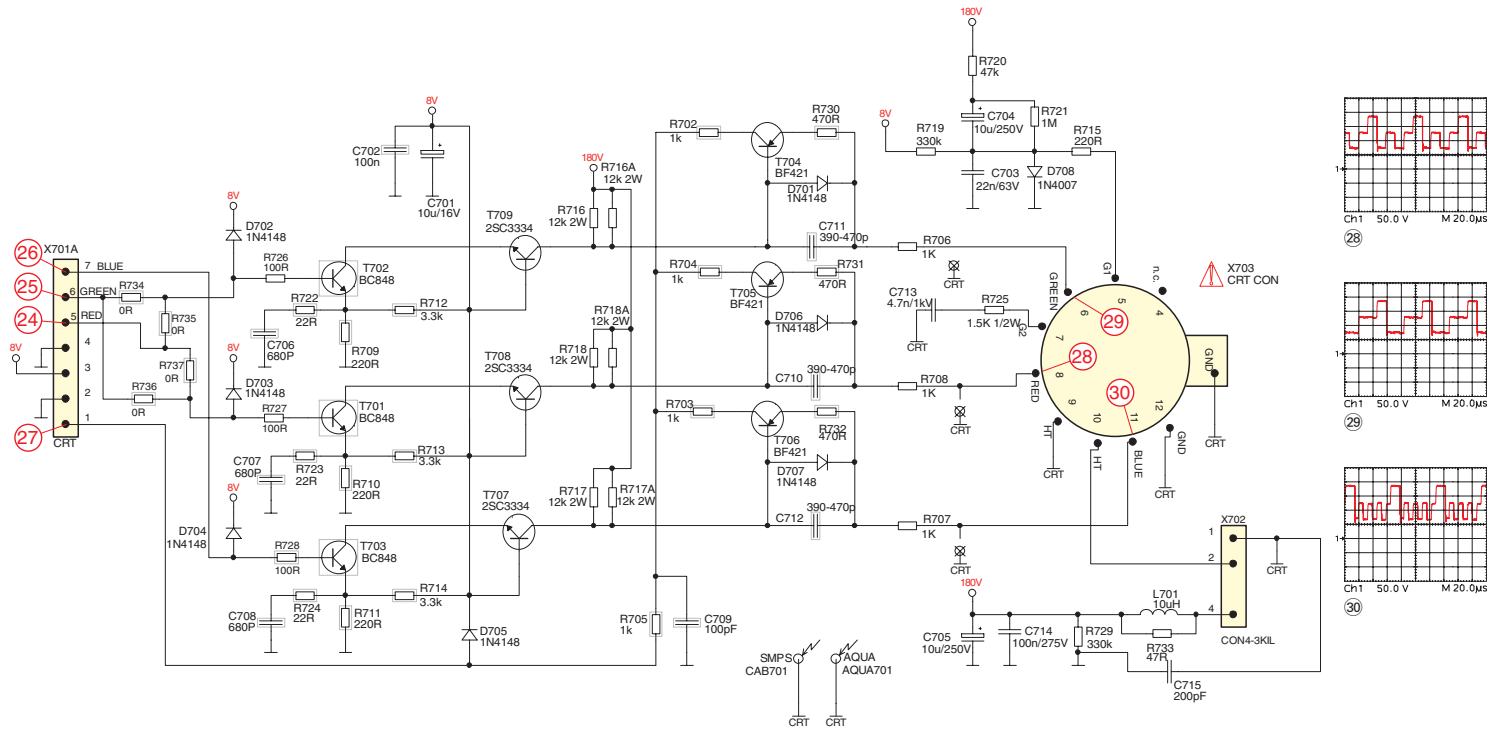
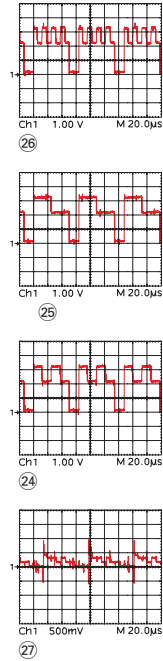
Chassisplatte – Hauptteil / Chassis Board – Main Part



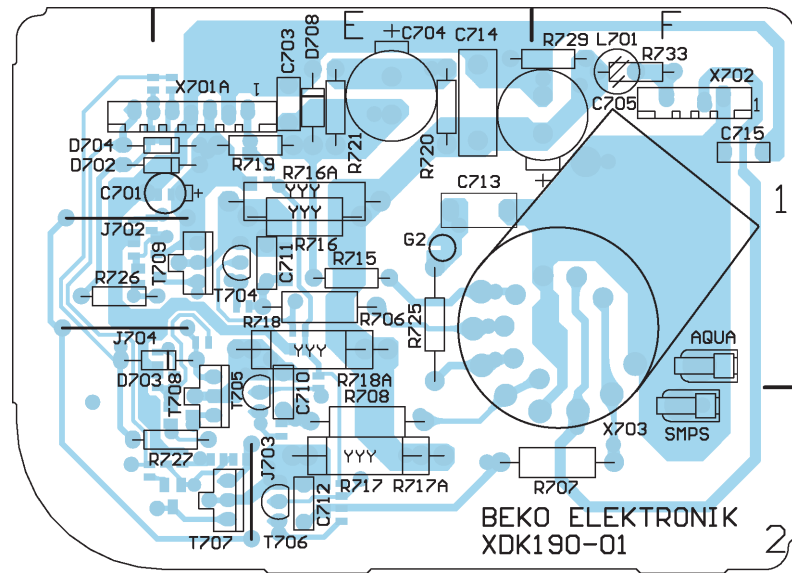
Chassisplatte – Hauptteil / Chassis Board – Main Part



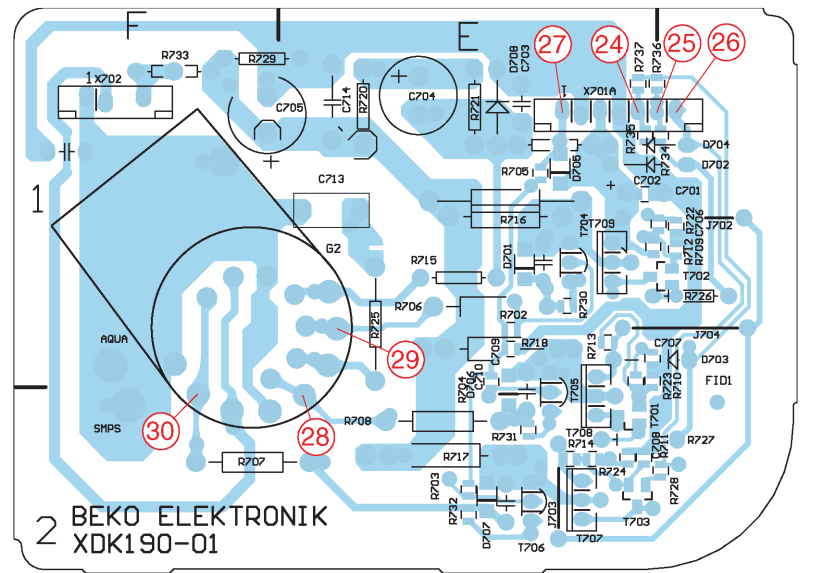
Bildrohrplatte / CRT Board XDK190



Ansicht von der Bestückungsseite / View of Component Side



Ansicht von der Lötseite / View of Solder Side



Variantenliste / Variant List

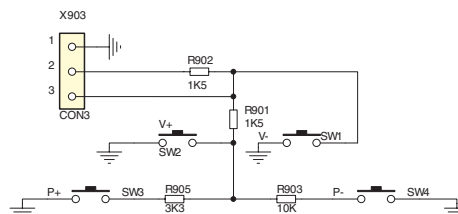
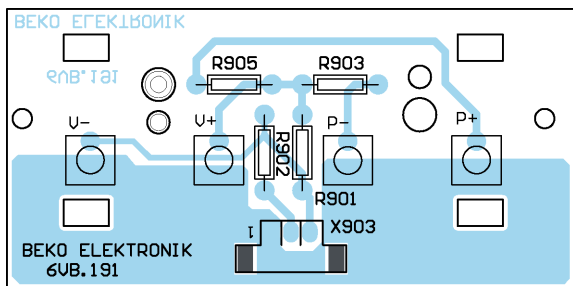
Bildröhre / CRT	+B	C406	C407	C513	C527	C528	L504	L603	R516	R517	R522	R523	R629	TR502	TR601
A48ECR43X51 (SS4)	114V			470PF 2KV	9.1NF 1.6KV	360NF 250V	55UH	47UH	3.9R 1/2W	3.9R 1/2W	0.22R 1W	330R 1/4W	2.2K 1/4W	040146R-E1/-T2	050150R-E1/-T1
A51AKL13X02(M) (CW3)	117V 120V			470PF 2KV	8.2NF 1.6KV 9.1NF 1.6KV	270NF 250V 360NF 250V	70UH	47UH	2.7R 1/2W	3.3R 1/2W	0.1R 0.75W 3.3R 1W	330R 1/4W	2.2K 1/4W 10K 1/4W	040150R-E1/-T1 040150R-J1	050150R-E1/-T1
A51CPBB02X08-A (NV3)	121V			220PF 2KV	8.6NF 1.6KV	270NF 250V	100UH	4.7UH	3.9R 1/2W	2.7R 1/2W	0.22R 1W	330R 1/4W	10K 1/4W	040150R-E1/-T1	050150R-E1/-T1
A51EER33X78(LGM) (SS8)	114V 115V			220PF 2KV 150PF 2KV	7.8NF 1.6KV 10NF 1.6KV	390NF 250V	55UH	47UH	3.9R 1/2W	3.9R 1/2W	0.47R 1W 1R 1W	330R 1/4W	2.2K 1/4W	040146R-E1/-T2 040146R-C1/-J1	050150R-E1/-T1
A51EFS13X191 (VC6)	111V 113V			220PF 2KV	8.2NF 1.6KV 10NF 1.6KV	470NF 250V	55UH	1UH	3.9R 1/2W	3.9R 1/2W	0.22R 1W 0.68R 1W	330R 1/4W	1.8K 1/4W	040146R-E1/-T2 040146R-C1/-J1	050150R-E1/-T1
A51EJU04X01 (EK3)	112V			150PF 2KV	8.6NF 1.6KV	470NF 250V	55UH	1UH	3.3R 1/2W	2.2R 1/2W	0.1R 0.75W	270R 1/4W	1.8K 1/4W	040146R-E1/-T2	050150R-E1/-T1
A51EKS71X11 (EK5)	125V 126V			220PF 2KV	8.2NF 1.6KV 9.1NF 1.6KV	240NF 250V	70UH	47UH	2.2R 1/2W	2.2R 1/2W	0.47R 1W 1.8R 2W	220R 1/2W	15K 1/4W	040150R-E1/-T1 040150R-J1	050150R-E1/-T1
A51ELD032X001 (VC0)	125V 123V			220PF 2KV	8.2NF 1.6KV	220NF 250V	100UH	22UH 4.7UH	3.9R 1/2W	3.9R 1/2W	0.22R 1W 1.2R 1W	330R 1/4W	15K 1/4W	040150R-E1/-T1 040150R-J1	050150R-E1/-T1
A51ELW032X001 (VC1)	139V			220PF 2KV	1NF 2KV 3.3NF 1.6KV	360NF 250V	45UH	4.7UH	2.2R 2W	2.2R 2W	1.8R 1W	180R 2W	27K 1/4W	040S01R-E1/-T1 040S01R-J1	050S01R-E1/-T1
A51ERF135X80 (GS9)	125V	15NF	15NF	220PF 2KV	8.2NF 1.6KV	270NF 250V	70UH	47UH	3.9R 1/2W	3.9R 1/2W	1.2R 1W	390R 1/4W	15K 1/4W	040150R-E1/-T1	050150R-E1/-T1
A51ERS357X550 (PH1)	136V			220PF 2KV	1NF 2KV 3.3NF 1.6KV	360NF 250V	45UH	4.7UH	2.2R 2W	2.2R 2W	2.2R 1W	180R 2W	27K 1/4W	040S01R-E1/-T1 040S01R-J1	050S01R-E1/-T1
A51ERS357X550 (PH2)	136V			220PF 2KV	1NF 2KV 3.3NF 1.6KV	360NF 250V	55UH 45UH	4.7UH	2.2R 2W	2.2R 2W	2.2R 1W	180R 2W	27K 1/4W	040S01R-E1/-T1 040S01R-J1	050S01R-E1/-T1
A51MAJ196X02 (MT2)	125V			9.1NF 1.6KV	9.1NF 1.6KV	270NF 250V	120UH	1UH	3.9R 1/2W	3.9R 1/2W	390R 1W	270R 1/4W	10K 1/4W	040150R-J1	050150R-E1/-T1
A51MAT90X55(C) (HT7)	111V			470PF 2KV	10NF 1.6KV	360NF 250V	70UH	1UH	2.7R 1/2W	2.7R 1/2W	1R 1W	330R 1/4W	1.8K 1/4W	040146R-C1/-J1	050150R-E1/-T1
A51MBD101X4V2P (SM5)	126V			9.1NF 1.6KV	9.1NF 1.6KV	270NF 250V	70UH	47UH	2.7R 1/2W	3.3R 1/2W	2.7R 1W	330R 1/4W	15K 1/4W	040150R-J1	050150R-E1/-T1
A51QAE320XA1 (PH8)	112V			150PF 2KV	8.6NF 1.6KV	470NF 250V	70UH	1UH	3.9R 1/2W	3.9R 1/2W	0.22R 1W	330R 1/4W	1.8K 1/4W	040146R-E1/-T2	050150R-E1/-T1
A51QDJ420X16 (OR6)	120V			8.6NF 1.6KV	8.6NF 1.6KV	270NF 250V	100UH	4.7UH	3.9R 1/2W	3.9R 1/2W	3.3R 1W	330R 1/4W	10K 1/4W	040150R-J1	050150R-E1/-T1
A51QDJ420X16 (PH10)	122V 123V			220PF 2KV	8.6NF 1.6KV 9.1NF 1.6KV	470NF 250V 330NF 250V	70UH	47UH	3.9R 1/2W 5.6R 1/4W	1.8R 1/2W	0.68R 1W 3.3R 1W	330R 1/4W	12K 1/4W	040150R-E1/-T1 040150R-J1	050150R-E1/-T1
A51QDX993X030 (SS0)	122V			7.8NF 1.6KV 8.6NF 1.6KV	7.8NF 1.6KV 8.6NF 1.6KV	270NF 250V	100UH	4.7UH	3.9R 1/2W	3.9R 1/2W	0.22R 1W 3.3R 1W	330R 1/4W	10K 1/4W	040150R-E1/-T1 040150R-J1	050150R-E1/-T1
A51QDX993X230 (SS10)	122V			7.8NF 1.6KV 8.6NF 1.6KV	7.8NF 1.6KV 8.6NF 1.6KV	270NF 250V 330NF 250V	100UH 70UH	4.7UH	3.9R 1/2W	3.9R 1/2W	0.22R 1W 3.3R 1W	330R 1/4W	10K 1/4W	040150R-E1/-T1 040150R-J1	050150R-E1/-T1
A51QDX993X230V (SS11)	122V			7.8NF 1.6KV 8.6NF 1.6KV	7.8NF 1.6KV 8.6NF 1.6KV	270NF 250V	100UH	4.7UH	3.9R 1/2W	3.9R 1/2W	0.22R 1W 3.3R 1W	330R 1/4W	10K 1/4W	040150R-E1/-T1 040150R-J1	050150R-E1/-T1
A51QGB690X010 (OR6)	120V			8.6NF 1.6KV	8.6NF 1.6KV	270NF 250V	100UH	4.7UH	3.9R 1/2W	3.9R 1/2W	3.3R 1W	330R 1/4W	10K 1/4W	040150R-J1	050150R-E1/-T1
A51QGD991X001 (SS1)	136V			220PF 2KV	1.8NF 1.6KV	360NF 250V	55UH	4.7UH	1.5R 2W	1.5R 2W	1.2R 1W	180R 2W	27K 1/4W	040S01R-E1/-T1	050S01R-E1/-T1

TR502	Materialnummer / Part No.
040146R-C1	759551339700
040146R-E1	759551076600
040146R-J1	759551289800
040146R-T2	759551223900
040150R-E1	759551163000
040150R-J1	759551224300
040150R-T1	759551224200
040S01R-E1	759551224000
040S01R-J1	759551289900
040S01R-T1	759551224100

TR601	Materialnummer / Part No.
050150R-E1	759551153400
050150R-T1	759551224400
050S01R-E1	759551224500
050S01R-T1	759551224600

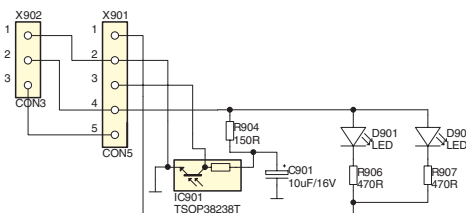
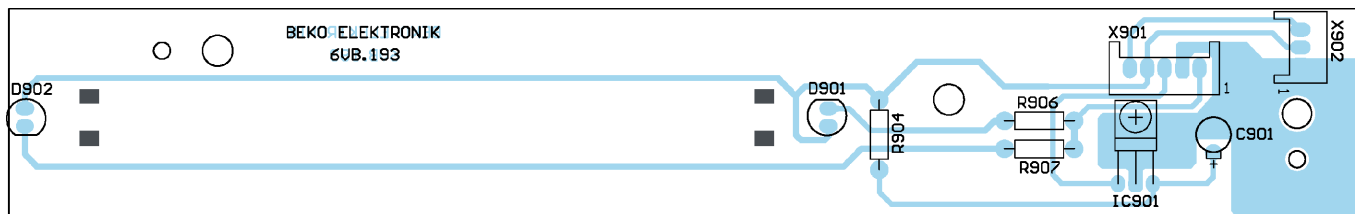
Bedienplatte / Keyboard 6VB191

Ansicht von der Bestückungsseite / View of Component Side



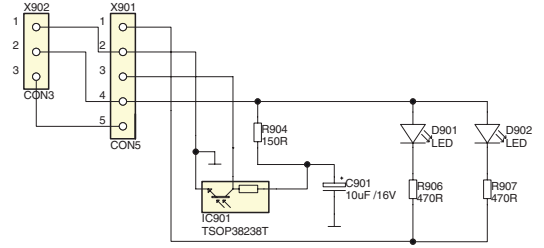
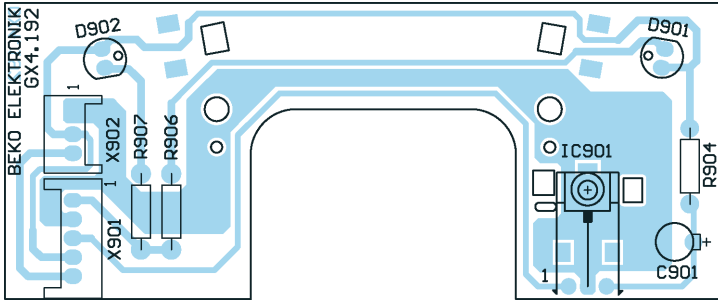
IR/LED-Platte / Board 6VB193

Ansicht von der Bestückungsseite / View of Component Side



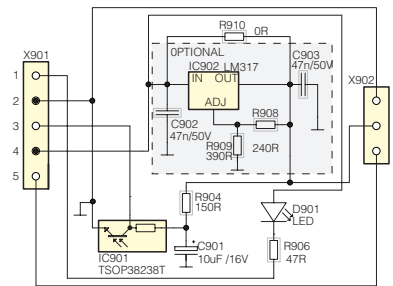
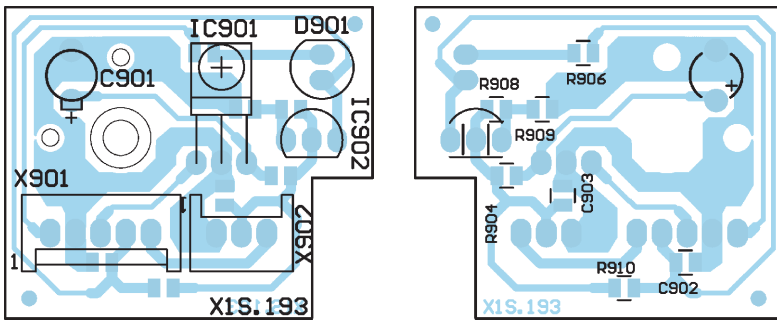
IR/LED-Platte / Board GX4192

Ansicht von der Bestückungsseite / View of Component Side



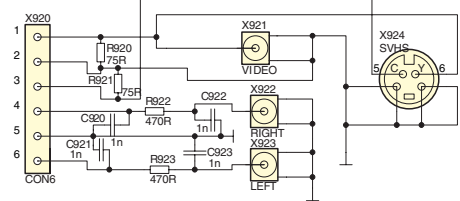
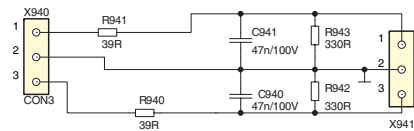
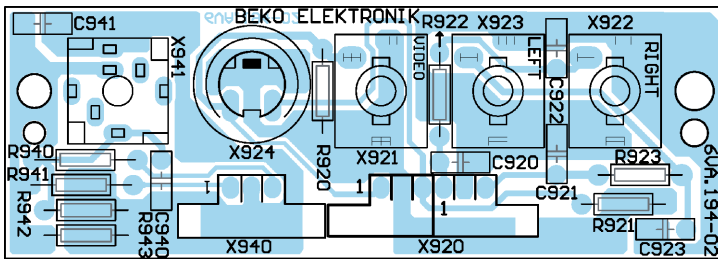
IR/LED-Platte / Board X1S193

Ansicht von der Bestückungsseite
View of Component Side



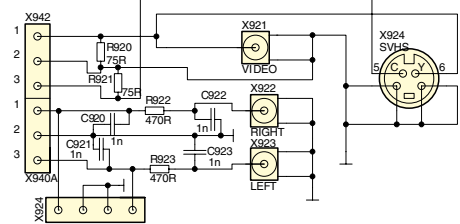
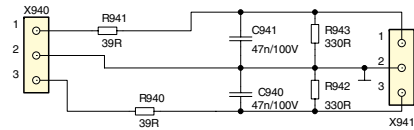
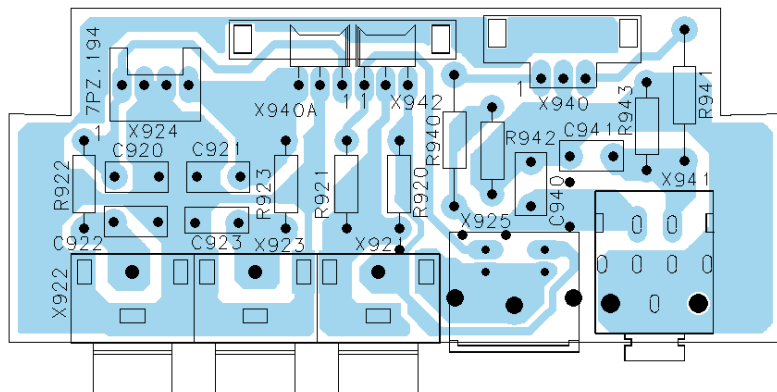
Buchsenplatte / Socket Board 6VA194

Ansicht von der Bestückungsseite / View of Component Side



Buchsenplatte / Socket Board 7PZ194

Ansicht von der Bestückungsseite / View of Component Side



Ersatzteilliste
Spare Parts List

2 / 2007

ELEGANCE 55 FLAT MF 55-2502 TOP

ERSETZT AUSGABE 5/2005
SUBSTITUTE EDITION 5/2005MATERIAL-NR. / PART NO.: 720126014200
BESTELL-NR. / ORDER NO.: GBD1700 (CPY)

POS. NR. POS. NO.	ABB. FIG.	MATERIAL-NR. PART NUMBER	ANZ. QTY.	BEZEICHNUNG (D)	DESCRIPTION (GB)
		GBD1700		ELEGANCE 55 FLAT MF 55-2502 TOP PRODUKTCODE CPY KEIN E-TEIL	ELEGANCE 55 FLAT MF 55-2502 TOP PRODUCT CODE CPY NO SPARE PART
0001.000		759550983700		GEHAUSEVORDERTEIL SILBER	FRONT CABINET SILVER
0002.000		759551340000		RUECKWAND SILBER	BACK COVER SILVER
0003.000		759550983600		BUCHSENABDECKUNG	JACK COVER
0007.000		759551164600		LAUTSPRECHER 7/10 W / 8 OHM	LOUDSPEAKER 7/10 W / 8 OHM
0015.000	△	759550450200		NETZKABEL M.DR.2,3M	POWER CABLE
0015.000	△	759550978300		NETZSCHALTER ESZ92D21B	POWER SWITCH ESZ92D21B
0016.000		759551318200		KNOPF NETZ SILBER	KNOB POWER SILVER
0018.000		759550978000		KNOPF PROGRAMM SILBER	KNOB PROGRAMM SILVER
0020.000	△			BR CPT SS A51QDX993X030 P.FLAT HINWEIS! IM DEFEKTFALL DER BILDROEHRE NEHMEN SIE KONTAKT MIT UNSERER HOTLINE AUF	PT CPT SS A51QDX993X030 P.FLAT NOTE! IN THE EVENT OF A DEFECTIVE PICTURE TUBE PLEASE CONTACT YOUR SERVICE
0025.000	△	275990195100	X	LP-CHASSISMODUL K2 KEIN E-TEIL	CHASSISBOARD K2 NO SPARE PART
0027.000		720117132900		FERNBEDIENUNG TP160 C GRAU	REMOTE CONTROL TP160 C GREY
0030.000		275990204200		LP-LED/IR MODUL	LED/IR BOARD
0040.000		275990034700		LP-BEDIENMODUL	CONTROLBOARD
0060.000		275990142400		LP-S-VHS/KLK MODUL	S-VHS/KLK BOARD
0092.000		759551340100		KARTON	CARTON
		720117118500		BEDIENUNGSANLEITUNG D//F	INSTRUCTION MANUAL D//F
		720100521000		SERVICE MANUAL D/GB	SERVICE MANUAL D/GB
		720108000001		SICHERHEITSMANUAL D/GB/E/F/I	SAFETY SERVICE MANUAL D/GB/E/F/I
				X = SIEHE GESONDERTE E-LISTE	X = SEE SEPARATE PARTS LIST

Es gelten die Vorschriften und Sicherheitshinweise gemäß dem Service Manual "Sicherheit", Mat.-Nummer 720108000001, sowie zusätzlich die eventuell abweichenden, landesspezifischen Vorschriften!



The regulations and safety instructions shall be valid as provided by the "Safety" Service Manual, part number 720108000001, as well as the respective national deviations.

ÄNDERUNGEN VORBEHALTEN / SUBJECT TO ALTERATION

Ersatzteilliste
Spare Parts List

3 / 2007

ELEGANCE 55 FLAT MF 55-2502/5 TEXT

ERSETZT AUSGABE 8/2006
SUBSTITUTE EDITION 8/2006

BESTELL-NR. / ORDER NO.: GBF3700 (AVT)

POS. NR. POS. NO.	ABB. FIG.	MATERIAL-NR. PART NUMBER	ANZ. QTY.	BEZEICHNUNG (D)	DESCRIPTION (GB)
		GBF3700		ELEGANCE 55 FLAT MF 55-2502/5 TEXT PRODUKTCODE CPS KEIN E-TEIL	ELEGANCE 55 FLAT MF 55-2502/5 TEXT PRODUCT CODE CPS NO SPARE PART
0001.000		759550983700		GEHAUSEVORDERTEIL SILBER	FRONT CABINET SILVER
0002.000		759551340000		RUECKWAND SILBER	BACK COVER SILVER
0003.000		759550947700		GRUNDIG LOGO	GRUNDIG LOGO
0004.000		759550983600		BUCHSENABDECKUNG	JACK COVER
0007.000		759551164600		LAUTSPRECHER 7/10 W / 8 OHM	LOUDSPEAKER 7/10 W / 8 OHM
0014.000	△	759550978300		NETZSCHALTER ESZ92D21B	POWER SWITCH ESZ92D21B
0015.000	△	759551343100		NETZKABEL 180CM	POWER CABLE 180CM
0016.000		759551318200		KNOPF NETZ SILBER	KNOB NETZ SILBER
0018.000		759550978000		KNOPF PROGRAMM SILBER	KNOB PROGRAMM SILVER
0020.000	△			BR CPT SS A51QDX993X030P.FLAT HINWEIS! IM DEFEKTFALL DER BILDROEHRE NEHMEN SIE KONTAKT MIT UNSERER HOTLINE AUF	PT CPT SS A51QDX993X030P.FLAT NOTE! IN THE EVENT OF A DEFECTIVE PICTURE TUBE PLEASE CONTACT YOUR SERVICE
0025.000	△	275990195600	X	LP-CHASSISMODUL K2 KEIN E-TEIL	CHASSISBOARD K2 NO SPARE PART
0027.000		720117132900		FERNBEDIENUNG TP160 C GRAU	REMOTE CONTROL TP160 C GREY
0030.000		275990204200		LP-LED/IR MODUL	LED/IR BOARD
0040.000		275990034700		LP-BEDIENMODUL	CONTROLBOARD
0080.000		275990142400		LP-S-VHS/KLK MODUL	S-VHS/KLK BOARD
0092.000		759551340100		VERPACKUNGSKARTON	CARTON
		720117241000		BEDIENUNGSANLEITUNG D,NL,E,P,GR	INSTRUCTION MANUAL D,NL,E,P,GR
		720110521000		SERVICE MANUAL D/GB	SERVICE MANUAL D/GB
		720108000001		SICHERHEITSMANUAL D/GB/E/F/I	SAFETY SERVICE MANUAL D/GB/E/F/I
				X = SIEHE GESONDERTE E-LISTE	X = SEE SEPARATE PARTS LIST

Es gelten die Vorschriften und Sicherheitshinweise gemäß dem Service Manual "Sicherheit", Mat.-Nummer 720108000001, sowie zusätzlich die eventuell abweichenden, landesspezifischen Vorschriften!



The regulations and safety instructions shall be valid as provided by the "Safety" Service Manual, part number 720108000001, as well as the respective national deviations.

ÄNDERUNGEN VORBEHALTEN / SUBJECT TO ALTERATION

Ersatzteilliste
Spare Parts List

TV

3 / 2007

ELEGANCE 55 FLAT MF 55-2502/8 FR/TEXT

ERSETZT AUSGABE 9/2006
SUBSTITUTE EDITION 9/2006

BESTELL-NR. / ORDER NO.: GBF3800 (AVU)

POS. NR. POS. NO.	ABB. FIG.	MATERIAL-NR. PART NUMBER	ANZ. QTY.	BEZEICHNUNG (D)	DESCRIPTION (GB)
		GBF3800		ELEGANCE 55 FLAT MF 55-2502/8 FR/TEXT PRODUKTCODE CPQ KEIN E-TEIL	ELEGANCE 55 FLAT MF 55-2502/8 FR/TEXT PRODUCT CODE CPQ NO SPARE PART
0001.000		759550983700		GEHAUSEVORDERTEIL SILBER	FRONT CABINET SILVER
0002.000		759551340000		RUECKWAND SILBER	BACK COVER SILVER
0003.000		759550947700		GRUNDIG LOGO	GRUNDIG LOGO
0004.000		759550983600		BUCHSENABDECKUNG	JACK COVER
0007.000		759551164600		LAUTSPRECHER 7/10W 8 OHM	LOUDSPEAKER 7/10W 8 OHM
0014.000	△	759551343100		NETZKABEL 180CM	POWER CABLE 180CM
0015.000	△	759550978300		NETZSCHALTER ESZ92D21B	POWER SWITCH ESZ92D21B
0016.000		759551318200		KNOPF NETZ SILBER	KNOB NETZ SILBER
0018.000		759550978000		KNOPF PROGRAMM SILBER	KNOB PROGRAMM SILVER
0020.000	△			BR CPT SS A51QDX993X030 P.FLAT HINWEIS! IM DEFEKTFALL DER BILDROEHRE NEHMEN SIE KONTAKT MIT UNSERER HOTLINE AUF	PT CPT SS A51QDX993X030 P.FLAT NOTE! IN THE EVENT OF A DEFECTIVE PICTURE TUBE PLEASE CONTACT YOUR SERVICE HOTLINE AUF
0025.000	△	275990194200	X	LP-CHASSISMODUL K2 KEIN E-TEIL	CHASSISBOARD K2 NO SPARE PART
0027.000		720117132900		FERNBEDIENUNG TP160 C GRAU	REMOTE CONTROL TP160 C GREY
0030.000		275990034700		LP-BEDIENMODUL	CONTROLBOARD
0040.000		275990204200		LP-LED/IR MODUL	LED/IR BOARD
0080.000		275990142400		LP-S-VHS/KLK MODUL	S-VHS/KLK BOARD
0092.000		759551340100		VERPACKUNGSKARTON	CARTON
		720117241500		BEDIENUNGSANLEITUNG F,E	INSTRUCTION MANUAL F,E
		720110521000		SERVICE MANUAL D/GB	SEVICE MANUAL D/GB
		720108000001		SICHERHEITSMANUAL D/GB/E/F/I	SAFETY SERVICE MANUAL D/GB/E/F/I
				X = SIEHE GESONDERTE E-LISTE	X = SEE SEPARATE PARTS LIST

Ersatzteilliste
Spare Parts List

TV

3 / 2007

ELEGANCE 55 FLAT MF 55-2503/8 PL/TEXT

ERSETZT AUSGABE 9/2006
SUBSTITUTE EDITION 9/2006

BESTELL-NR. / ORDER NO.: GBF3600 (AVS)

POS. NR. POS. NO.	ABB. FIG.	MATERIAL-NR. PART NUMBER	ANZ. QTY.	BEZEICHNUNG (D)	DESCRIPTION (GB)
		GBF3600		ELEGANCE 55 FLAT MF 55-2503/8 PL/TEXT PRODUKTCODE CQA KEIN E-TEIL	ELEGANCE 55 FLAT MF 55-2503/8 PL/TEXT PRODUCT CODE CQA NO SPARE PART
0001.000		759550983700		GEHAUSEVORDERTEIL SILBER	FRONT CABINET SILVER
0002.000		759551340000		RUECKWAND SILBER	BACK COVER SILVER
0003.000		759550947700		GRUNDIG LOGO	GRUNDIG LOGO
0004.000		759550983600		BUCHSENABDECKUNG	JACK COVER
0007.000		759551164600		LAUTSPRECHER 7/10W 8 OHM	LOUDSPEAKER 7/10W 8 OHM
0016.000		759551318200		KNOPF NETZ SILBER	POWER KNOB SILVER
0014.000	△	759551343100		NETZKABEL 180 CM	POWER CABLE 180 CM
0015.000	△	759550978300		NETZSCHALTER ESZ92D21B	POWER SWITCH ESZ92D21B
0018.000		759550978000		KNOPF PROGRAMM SILBER	KNOB PROGRAMM SILVER
0020.000	△			BILDROEHRE HINWEIS! IM DEFEKTFALL DER BILDROEHRE NEHMEN SIE KONTAKT MIT UNSERER HOTLINE AUF	PICTURE TUBE NOTE! IN THE EVENT OF A DEFECTIVE PICTURE TUBE PLEASE CONTACT YOUR SERVICE HOTLINE AUF
0025.000	△	275990194200	X	LP-CHASSISMODUL K2 KEIN E-TEIL	CHASSISBOARD K2 NO SPARE PART
0027.000		720117132900		FERNBEDIENUNG TP 150C SCHWARZ	REMOTE CONTROL TP 150C BLACK
0030.000		275990037400		LP-POWER MODUL	POWER SUPPLY BOARD
0040.000		275990204200		LP-LED/IR MODUL	LED/IR BOARD
0080.000		275990142400		LP-S-VHS/KLK MODUL	S-VHS/KLK BOARD
0092.000		759551340100		VERPACKUNGSKARTON	CARTON
		720117240500		BEDIENUNGSANLEITUNG PL,CZ,H	INSTRUCTION MANUAL PL,CZ,H
		720110521000		SERVICE MANUAL D/GB	SEVICE MANUAL D/GB
		720108000001		SICHERHEITSMANUAL D/GB/E/F/I	SAFETY SERVICE MANUAL D/GB/E/F/I
				X = SIEHE GESONDERTE E-LISTE	X = SEE SEPARATE PARTS LIST

4-2

Es gelten die Vorschriften und Sicherheitshinweise gemäß dem Service Manual "Sicherheit", Mat.-Nummer 720108000001, sowie zusätzlich die eventuell abweichenden, landesspezifischen Vorschriften!



The regulations and safety instructions shall be valid as provided by the "Safety" Service Manual, part number 720108000001, as well as the respective national deviations.

ÄNDERUNGEN VORBEHALTEN / SUBJECT TO ALTERATION

Es gelten die Vorschriften und Sicherheitshinweise gemäß dem Service Manual "Sicherheit", Mat.-Nummer 720108000001, sowie zusätzlich die eventuell abweichenden, landesspezifischen Vorschriften!



The regulations and safety instructions shall be valid as provided by the "Safety" Service Manual, part number 720108000001, as well as the respective national deviations.

ÄNDERUNGEN VORBEHALTEN / SUBJECT TO ALTERATION

3 / 2007

K 21 PF - 2603/8 TEXT

ERSETZT AUSGABE 12/2006
SUBSTITUTE EDITION 12/2006

BESTELL-NR. / ORDER NO.: GBF7700 (BJH)

POS. NR. POS. NO.	ABB. FIG.	MATERIAL-NR. PART NUMBER	ANZ. QTY.	BEZEICHNUNG (D)	DESCRIPTION (GB)
		GBF7700		K 21 PF - 2603/8 TEXT PRODUKTCODE CPU KEIN E-TEIL	K 21 PF - 2603/8 TEXT PRODUCT CODE CPU NO SPARE PART
0001.000		759551178500		GEH.-VORDERTEIL SILBER	FRONT CABINET SILVER
0002.000		759550983500		RUECKWAND SILBER	BACK COVER SILVER
0003.000		759550983600		BUCHSENABDECKUNG	JACK COVER
0007.000		759551164600		LAUTSPRECHER 7/10 W / 8 OHM	LOUDSPEAKER 7/10 W / 8 OHM
0014.000	△	759550450200		NETZKABEL	POWER CABLE
0015.000	△	759550978300		NETZSCHALTER ESZ92D21B	POWER SWITCH ESZ92D21B
0016.000		759551318200		KNOPF NETZ SILBER	KNOB POWER SILVER
0018.000		759550978000		KNOPF PROGRAMM SILBER	KNOB PROGRAMM SILVER
0020.000	△			BR. CPT SS A51QDX993X030 P.FLAT HINWEIS! IM DEFEKTFALL DER BILDROEHRE NEHMEN SIE KONTAKT MIT UNSERER HOTLINE AUF	PT. CPT SS A51QDX993X030 P.FLAT NOTE! IN THE EVENT OF A DEFECTIVE PICTURE TUBE PLEASE CONTACT YOUR SERVICE
0025.000	△	275990195800	X	LP-CHASSISMODUL K2 KEIN E-TEIL	CHASSISBOARD K2 NO SPARE PART
0027.000		720117132900		FERNBEDIENUNG TP160 C GRAU	REMOTE CONTROL TP160 C GREY
0030.000		275990034700		LP-BEDIENMODUL	CONTROLBOARD
0040.000		275990204200		LP-LED/IR MODUL	LED/IR BOARD
0060.000		275990142400		LP-S-VHS/KLK MODUL	S-VHS/KLK BOARD
0092.000		759551340100		VERPACKUNGSKARTON	CARTON
		720117254000		BEDIENUNGSANLEITUNG F,NL	INSTRUCTION MANUAL F,NL
		720110521000		SERVICE MANUAL D/GB	SEVICE MANUAL D/GB
		720108000001		SICHERHEITSMANUAL D/GB/E/F/I	SAFETY SERVICE MANUAL D/GB/E/F/I
				X = SIEHE GESONDERTE E-LISTE	X = SEE SEPARATE PARTS LIST

Es gelten die Vorschriften und Sicherheitshinweise gemäß dem Service Manual "Sicherheit", Mat.-Nummer 720108000001, sowie zusätzlich die eventuell abweichenden, landesspezifischen Vorschriften!



The regulations and safety instructions shall be valid as provided by the "Safety" Service Manual, part number 720108000001, as well as the respective national deviations.

ÄNDERUNGEN VORBEHALTEN / SUBJECT TO ALTERATION

Ersatzteilliste Spare Parts List

3 / 2007

LENARO 55 FLAT MF 55-5501 TOP

ERSETZT AUSGABE 11/2005
SUBSTITUTE EDITION 11/2005

MATERIAL-NR. / PART NO.: 720126020800
BESTELL-NR. / ORDER NO.: GBD0900 (CPX, CZU)

POS. NR. POS. NO.	ABB. FIG.	MATERIAL-NR. PART NUMBER	ANZ. QTY.	BEZEICHNUNG (D)	DESCRIPTION (GB)
		GBD0900		LENARO 55 FLAT MF 55-5501 TOP PRODUKTCODE (CPX) KEIN E-TEIL	LENARO 55 FLAT MF 55-5501 TOP PRODUCT CODE (CPX) NO SPARE PART
0001.000		759551210900		GEH.-VORDERTEIL SILBER	FRONT CABINET SILVER
0002.000		759551340000		RUECKWAND SILBER	BACK COVER SILVER
0003.000		759551206900		BUCHSENABDECKUNG	JACK COVER
0007.000		759551164600		LAUTSPRECHER 7/10 W / 8 OHM	LOUDSPEAKER 7/10 W / 8 OHM
0014.000	△	759550920200		NETZSCHALTER	POWER SWITCH
0015.000	△	759550450200		NETZKABEL M.DR.2,3M	POWER CABLE
0016.000		759551211000		KNOPF NETZ SILBER	KNOB POWER SILVER
0018.000		759550978000		KNOPF PROGRAMM SILBER	KNOB PROGRAMM SILVER
0020.000	△			BR.CPT SS A51QDX993X030 P.FLAT HINWEIS! IM DEFEKTFALL DER BILDROEHRE NEHMEN SIE KONTAKT MIT UNSERER HOTLINE AUF	PT. CPT SS A51QDX993X030 P.FLAT NOTE! IN THE EVENT OF A DEFECTIVE PICTURE TUBE PLEASE CONTACT YOUR SERVICE
0025.000	△	275990195900	X	LP-CHASSISMODUL K2 KEIN E-TEIL	CHASSISBOARD K2 NO SPARE PART
0027.000		720117132900		FERNBEDIENUNG TP160 C SILBER	REMOTE CONTROL TP160 C SILVER
0050.000		275990210400		LP-LED/IR EMPFANGSMODUL	LED/IR RECEIVERBOARD
0060.000		275990142400		LP-S-VHS/KLK MODUL	S-VHS/KLK BOARD
0070.000		275990210500		LP-BEDIENMODUL	CONTROLBOARD
0090.000		759551250100		POLSTER OBEN	CUSHION TOP
0091.000		759551250200		POSTER UNTEN	CUSHION BOTTOM
0095.000		759551211100		KARTON	CARTON
		720117199500		BEDIENUNGSANLEITUNG D/I	INSTRUCTION MANUAL D/I
		720110521000		SERVICE MANUAL D/GB	SEVICE MANUAL D/GB
		720108000001		SICHERHEITSMANUAL D/GB/E/F/I	SAFETY SERVICE MANUAL D/GB/E/F/I
				X = SIEHE GESONDERTE E-LISTE	X = SEE SEPARATE PARTS LIST
		GBD0900		LENARO 55 FLAT MF 55-5501 TOP PRODUKTCODE (CZU) KEIN E-TEIL	LENARO 55 FLAT MF 55-5501 TOP PRODUCT CODE (CZU) NO SPARE PART
0001.000		759551343500		GEH.-VORDERTEIL SILBER	FRONT CABINET SILVER
0002.000		759551340000		RUECKWAND SILBER	BACK COVER SILVER
0003.000		759551206900		BUCHSENABDECKUNG	JACK COVER
0007.000		759551164600		LAUTSPRECHER 7/10 W / 8 OHM	LOUDSPEAKER 7/10 W / 8 OHM
0014.000	△	759550920200		NETZSCHALTER	POWER SWITCH
0015.000	△	759550450200		NETZKABEL M.DR.2,3M	POWER CABLE
0016.000		759551211000		KNOPF NETZ SILBER	KNOB POWER SILVER
0018.000		759550978000		KNOPF PROGRAMM SILBER	KNOB PROGRAMM SILVER
0020.000	△			BR.CPT SS A51QDX993X030 P.FLAT HINWEIS! IM DEFEKTFALL DER BILDROEHRE NEHMEN SIE KONTAKT MIT UNSERER HOTLINE AUF	PT. CPT SS A51QDX993X030 P.FLAT NOTE! IN THE EVENT OF A DEFECTIVE PICTURE TUBE PLEASE CONTACT YOUR SERVICE

ÄNDERUNGEN VORBEHALTEN / SUBJECT TO ALTERATION

POS. NR. POS. NO.	ABB. FIG.	MATERIAL-NR. PART NUMBER	ANZ. QTY.	BEZEICHNUNG (D)	DESCRIPTION (GB)
0025.000	△	275990195900	X	LP-CHASSISMODUL K2 KEIN E-TEIL	CHASSISBOARD K2 NO SPARE PART
0027.000		720117132900		FERNBEDIENUNG TP160 C SILBER	REMOTE CONTROL TP160 C SILVER
0050.000		275990210400		LP-LED/IR EMPFANGSMODUL	LED/IR RECEIVERBOARD
0060.000		275990142400		LP-S-VHS/KLK MODUL	S-VHS/KLK BOARD
0070.000		275990210500		LP-BEDIENMODUL	CONTROLBOARD
0090.000		759551330300		POLSTER OBEN	CUSHION TOP
0091.000		759551330400		POSTER UNTEN	CUSHION BOTTOM
0095.000		759551211100		KARTON	CARTON
		720117199500		BEDIENUNGSANLEITUNG D/I	INSTRUCTION MANUAL D/I
		720110521000		SERVICE MANUAL D/GB	SEVICE MANUAL D/GB
		720108000001		SICHERHEITSMANUAL D/GB/E/F/I	SAFETY SERVICE MANUAL D/GB/E/F/I
				X = SIEHE GESONDERTE E-LISTE	X = SEE SEPARATE PARTS LIST

Es gelten die Vorschriften und Sicherheitshinweise gemäß dem Service Manual "Sicherheit", Mat.-Nummer 720108000001, sowie zusätzlich die eventuell abweichenden, landesspezifischen Vorschriften!



The regulations and safety instructions shall be valid as provided by the "Safety" Service Manual, part number 720108000001, as well as the respective national deviations.

ÄNDERUNGEN VORBEHALTEN / SUBJECT TO ALTERATION

Ersatzteilliste Spare Parts List

TV

2 / 2007

LENARO 55 FLAT MF 55-5501/8 TEXT

ERSETZT AUSGABE 8/2006
SUBSTITUTE EDITION 8/2006

BESTELL-NR. / ORDER NO.: GBF3500 (AVR)

POS. NR. POS. NO.	ABB. FIG.	MATERIAL-NR. PART NUMBER	ANZ. QTY.	BEZEICHNUNG (D)	DESCRIPTION (GB)
		GBF3500		LENARO 55 FLAT MF 55-5501/8 TEXT PRODUKTCODE CPW KEIN E-TEIL	LENARO 55 FLAT MF 55-5501/8 TEXT PRODUKTCODE CPW NO SPARE PART
0001.000		759551210900		GEH.-VORDERTEIL SILBER/SCHWARZ	FRONT CABINET SILVER/BLACK
0002.000		759550983500		RUECKWAND SILBER	BACK COVER SILVER
0003.000		759551206900		BUCHSENABDECKUNG	JACK COVER
0007.000		759551164600		LAUTSPRECHER 7/10 W / 8 OHM	LOUDSPEAKER 7/10 W / 8 OHM
0014.000	△	759550450200		NETZKABEL M.DR.2,3M	POWER CABLE
0015.000	△	759550978300		NETZSCHALTER ESZ92D21B	POWER SWITCH ESZ92D21B
0016.000		759551211000		KNOPF NETZ SILBER	KNOB POWER SILVER
0018.000		759550978000		KNOPF PROGRAMM SILBER	KNOB PROGRAMM SILVER
0020.000	△			BR. CPT SS A51QDX993X030 P.FLAT HINWEIS! IM DEFEKTFALL DER BILDROEHRE NEHMEN SIE KONTAKT MIT UNSERER HOTLINE AUF	PT. CPT SS A51QDX993X030 P.FLAT NOTE! IN THE EVENT OF A DEFECTIVE PICTURE TUBE PLEASE CONTACT YOUR SERVICE
0025.000	△	275990194200	X	LP-CHASSISMODUL K2 KEIN E-TEIL	CHASSISBOARD K2 NO SPARE PART
0027.000		720117132900		FERNBEDIENUNG TP160 C GRAU	REMOTE CONTROL TP160 C GREY
0030.000		275990210400		LP-LED/IR EMPFANGSMODUL	LED/IR RECEIVERBOARD
0040.000		275990210500		LP-BEDIENMODUL	CONTROLBOARD
0080.000		275990142400		LP-S-VHS/CLKK MODUL	S-VHS/CLK BOARD
0092.000		759551211100		KARTON	CARTON
		720117240000		BEDIENUNGSANLEITUNG GB,F,NL,DK,N,HR	INSTRUCTION MANUAL GB,F,NL,DK,N,HR
		720117240100		BEDIENUNGSANLEITUNG S,FIN,E,P,PL,CZ	INSTRUCTION MANUAL S,FIN,E,P,PL,CZ
		720110521000		SERVICE MANUAL D/GB	SEVICE MANUAL D/GB
		720108000001		SICHERHEITSMANUAL D/GB/E/F/I	SAFETY SERVICE MANUAL D/GB/E/F/I
				X = SIEHE GESONDERTE E-LISTE	X = SEE SEPARATE PARTS LIST

Es gelten die Vorschriften und Sicherheitshinweise gemäß dem Service Manual "Sicherheit", Mat.-Nummer 720108000001, sowie zusätzlich die eventuell abweichenden, landesspezifischen Vorschriften!



The regulations and safety instructions shall be valid as provided by the "Safety" Service Manual, part number 720108000001, as well as the respective national deviations.

ÄNDERUNGEN VORBEHALTEN / SUBJECT TO ALTERATION

Ersatzteilliste Spare Parts List

TV

3 / 2007

SEDANCE 55 ST 55-2502 TEXT

ERSETZT AUSGABE 7/2006
SUBSTITUTE EDITION 7/2006

BESTELL-NR. / ORDER NO.: GBF3200 (AVK,CQC)

POS. NR. POS. NO.	ABB. FIG.	MATERIAL-NR. PART NUMBER	ANZ. QTY.	BEZEICHNUNG (D)	DESCRIPTION (GB)
		GBF3200		SEDANCE 55 ST 55-2502 TEXT PRODUKTCODE CQC KEIN E-TEIL	SEDANCE 55 ST 55-2502 TEXT PRODUKTCODE CQC NO SPARE PART
0001.000		759550980300		GEHAUSEVORDERTEIL SILBER	FRONT COVER SILVER
0002.000		759551152900		GEH-RUECKTEIL	GEH-RUECKTEIL
0003.000		759550976000		BUCHSENABDECKUNG	COVER JACK
0004.000		759551076200		ADAPTER / STOESSEL PROG/VOL	ADAPTOR / TAPPET PROG/VOL
0007.000		759550979700		LAUTSPRECHER 8 OHM 5/7 W	LOUDSPEAKER 8 OHM 5/7 W
0014.000	△	759551343100		NETZKABEL 180CM	POWER CABLE 180CM
0015.000	△	759550450300		NETZSCHALTER	POWER SWITCH
0016.000		759551152200		NETZTASTE	KNOB POWER
0017.000		759551152300		FEDER NETZTASTE	SPRING KNOB POWER
0018.000		759550979800		KNOPF VOLUMEN	KNOB VOLUME
0020.000	△			BR CPT A51EER33X78 (LGM) HINWEIS! IM DEFEKTFALL DER BILDROEHRE NEHMEN SIE KONTAKT MIT UNSERER HOTLINE AUF	PT CPT A51EER33X78 (LGM) NOTE! IN THE EVENT OF A DEFECTIVE PICTURE TUBE PLEASE CONTACT YOUR SERVICE
0025.000	△	275990196000	X	LP-CHASSISMODUL K2 KEIN E-TEIL	CHASSISBOARD K2 NO SPARE PART
0027.000		720117132900		FERNBEDIENUNG TP160 C GRAU	REMOTE CONTROL TP160 C GREY
0080.000		275990121400		LP-AV3/CLKK MODUL	AV3/CLK BOARD
0092.000		759551287300		KARTON	CARTON
		720117239000		BEDIENUNGSANLEITUNG D,SI	INSTRUCTION MANUAL D,SI
		720100521000		SERVICE MANUAL D/GB	SEVICE MANUAL D/GB
		720108000001		SICHERHEITSMANUAL D/GB/E/F/I	SAFETY SERVICE MANUAL D/GB/E/F/I
				X = SIEHE GESONDERTE E-LISTE	X = SEE SEPARATE PARTS LIST

Es gelten die Vorschriften und Sicherheitshinweise gemäß dem Service Manual "Sicherheit", Mat.-Nummer 720108000001, sowie zusätzlich die eventuell abweichenden, landesspezifischen Vorschriften!



The regulations and safety instructions shall be valid as provided by the "Safety" Service Manual, part number 720108000001, as well as the respective national deviations.

ÄNDERUNGEN VORBEHALTEN / SUBJECT TO ALTERATION

Ersatzteilliste
Spare Parts List

3 / 2007

SEDANCE 55 ST 55-2502/5 TOP

ERSETZT AUSGABE 6/2005
SUBSTITUTE EDITION 6/2005

MATERIAL-NR. / PART NO.: 720126016300
BESTELL-NR. / ORDER NO.: GBD2000

POS. NR. POS. NO.	ABB. FIG.	MATERIAL-NR. PART NUMBER	ANZ. QTY.	BEZEICHNUNG (D)	DESCRIPTION (GB)
		720126016900		SEDANCE 55 ST 55-2502/5 TOP PRODUKTCODE CQD KEIN E-TEIL	SEDANCE 55 ST 55-2502/5 TOP PRODUCT CODE CQD NO SPARE PART
0001.000		759550980300		GEHAUSEVORDERTEIL SILBER	FRONT COVER SILVER
0002.000		759550979600		RUECKWAND SILBER	BACK COVER SILVER
0003.000		759550947700		GRUNDIG LOGO	GRUNDIG LOGO
0004.000		759550976000		BUCHSENABDECKUNG	COVER JACK
0006.000		759551152300		FEDER NETZTASTE	SPRING KNOB POWER
0007.000		759550979700		LAUTSPRECHER 8 OHM 5/7 W	LOUDSPEAKER 8 OHM 5/7 W
0008.000		759551153600		LINSE	LENS 21K11
0010.000	△	759550925100		NETZKABEL	POWER CABLE
0013.000	△	759550456500		SPULE ENTMAGNETISIERUNG 21"	COIL DEGAUSSING 21"
0015.000	△	759550450300		NETZSCHALTER ESZ92D21B	POWER SWITCH ESZ92D21B
0016.000		759550979800		KNOPF VOLUMEN	KNOB VOLUME
0017.000		759551076200		ADAPTER / STOESSEL PROG/VOL	ADAPTOR / TAPPET PROG/VOL
0018.000		759551152200		NETZTASTE	KNOB POWER
0020.000	△			BILDROEHRE HINWEIS! IM DEFEKTFALL DER BILDROEHRE NEHMEN SIE KONTAKT MIT UNSERER HOTLINE AUF	PICTURE TUBE NOTE! IN THE EVENT OF A DEFECTIVE PICTURE TUBE PLEASE CONTACT YOUR SERVICE
0025.000	△	275990196600	X	LP-CHASSISMODUL K2 KEIN E-TEIL	CHASSISBOARD K2 NO SPARE PART
0027.000		720117132900		FERNBEDIENUNG TP160 C	REMOTE CONTROL TP160 C
0040.000		275990127200		LP-S-VHS/KLK MODUL	S-VHS/KLK-BOARD
		720117122000		BEDIENUNGSANLEITUNG GB/E/P/DK/N	INSTRUCTION MANUAL GB/E/P/DK/N
		720100521000		SERVICE MANUAL D/GB	SERVICE MANUAL D/GB
		720108000001		SICHERHEITSMANUAL D/GB/E/F/I	SAFETY SERVICE MANUAL D/GB/E/F/I
				X = SIEHE GESONDERTE E-LISTE	X = SEE SEPARATE PARTS LIST

Es gelten die Vorschriften und Sicherheitshinweise gemäß dem Service Manual "Sicherheit", Mat.-Nummer 720108000001, sowie zusätzlich die eventuell abweichenden, landesspezifischen Vorschriften!



The regulations and safety instructions shall be valid as provided by the "Safety" Service Manual, part number 720108000001, as well as the respective national deviations.

ÄNDERUNGEN VORBEHALTEN / SUBJECT TO ALTERATION

Ersatzteilliste
Spare Parts List

3 / 2007

XENTIA 21 MFS 55-4701/8 TOP

BESTELL-NR. / ORDER NO.: GBF7900 (CLZ,CQE)

POS. NR. POS. NO.	ABB. FIG.	MATERIAL-NR. PART NUMBER	ANZ. QTY.	BEZEICHNUNG (D)	DESCRIPTION (GB)
		GBF7900		XENTIA 21 MFS 55-4701/8 TOP PRODUKTCODE CQE KEIN E-TEIL	XENTIA 21 MFS 55-4701/8 TOP PRODUCT CODE CQE NO SPARE PART
0001.000		759551336800		GEH.-VORDERTEIL SILBER	FRONT CABINET SILVER
0002.000		759551337000		RUECKWAND SILBER	BACK COVER SILVER
0003.000		759550983600		BUCHSENABDECKUNG	JACK COVER
0007.000		759551164600		LAUTSPRECHER 7/10 W / 8 OHM	LOUDSPEAKER 7/10 W / 8 OHM
0014.000	△	759551343100		NETZKABEL 180CM	POWER CABLE 180CM
0015.000	△	759550978300		NETZSCHALTER ESZ92D21B	POWER SWITCH ESZ92D21B
0016.000		759551318200		KNOPF NETZ SILBER	KNOB POWER SILVER
0018.000		759550978000		KNOPF PROGRAMM SILBER	KNOB PROGRAMM SILVER
0020.000	△			BR CPT VC A51ELW032X001 PF HINWEIS! IM DEFEKTFALL DER BILDROEHRE NEHMEN SIE KONTAKT MIT UNSERER HOTLINE AUF	PICT.TUB. CPT VC A51ELW032X001 PF NOTE! IN THE EVENT OF A DEFECTIVE PICTURE TUBE PLEASE CONTACT YOUR SERVICE
0025.000	△	275990196100	X	LP-CHASSISMODUL K2 KEIN E-TEIL	CHASSISBOARD K2 NO SPARE PART
0027.000		720117132900		FERNBEDIENUNG TP160 C	REMOTE CONTROL TP160 C
0030.000		275990211500		LP-BEDIENMODUL	CONTROLBOARD
0040.000		275990221000		LP-LED/IR EMPFANGSMODUL	LED/IR RECEIVERBOARD
0070.000		275990142400		LP-S-VHS/KLK MODUL	S-VHS/KLK BOARD
0092.000		759551336900		KARTON	CARTON
		720117260500		BEDIENUNGSANLEITUNG D,GB,F,I,NL	INSTRUCTION MANUAL D,GB,F,I,NL
		720117260600		BEDIENUNGSANLEITUNG E,P,PL,CZ,H	INSTRUCTION MANUAL E,P,PL,CZ,H
		720117260700		BEDIENUNGSANLEITUNG HR	INSTRUCTION MANUAL HR
		720100521000		SERVICIE MANUAL D/GB	SERVICIE MANUAL D/GB
		720108000001		SICHERHEITSMANUAL D/GB/E/F/I	SAFETY SERVICE MANUAL D/GB/E/F/I
				X = SIEHE GESONDERTE E-LISTE	X = SEE SEPARATE PARTS LIST

Es gelten die Vorschriften und Sicherheitshinweise gemäß dem Service Manual "Sicherheit", Mat.-Nummer 720108000001, sowie zusätzlich die eventuell abweichenden, landesspezifischen Vorschriften!



The regulations and safety instructions shall be valid as provided by the "Safety" Service Manual, part number 720108000001, as well as the respective national deviations.

ÄNDERUNGEN VORBEHALTEN / SUBJECT TO ALTERATION

Ersatzteilliste
Spare Parts List

2 / 2007

LP-CHASSISMODUL K2
CHASSISBOARD K2

MATERIAL-NR. / PART NO.: 275990194200

POS. NR. POS. NO.	ABB. FIG.	MATERIAL-NR. PART NUMBER	ANZ. QTY.	BEZEICHNUNG DESCRIPTION
		275990194200		LP-CHASSISMODUL K2 KEIN E-TEIL
				CHASSISBOARD K2 NO SPARE PART

POS. NR. POS. NO.	MATERIAL-NR. PART NUMBER	BEZEICHNUNG DESCRIPTION	POS. NR. POS. NO.	MATERIAL-NR. PART NUMBER	BEZEICHNUNG DESCRIPTION
C 527	△ 759551124400	KONDENS. 7.8 NF 1.5 KV	D 708	830921512700	1N4007 -GA DIODE
C 528	△ 759551088400	KONDENS. 270NF J 250V R:1	F 103	831900696700	OFWFIL X6966M100 SIE
C 626	△ 759550949300	KONDENS. 220 NF/275 V AC	FS 601	△ 759550922700	SICHERUNG 3.15AT
C 636	△ 759550965300	KONDENS 220PF M 250VAC R:10	IC 101	720086718500	SW/IC K1 256K
C 637	△ 759550965300	KONDENS 220PF M 250VAC R:10	IC 201	759551078800	IC MC 14052BD
C 654	△ 759880450800	KONDENS. 2.2NF 20% 250V	IC 301	759550506300	AN5277 IC
D 102	759880755100	DIODE 1N5819	IC 401	759550519300	IC CHIP AT24C16AN 10SI TAPE
D 201	830953414900	MELF-DIODE LL 4148 TFK/ITT	IC 501	759550943300	IC TDA 8359 J/N2A
D 202	833021514800	1N4148 MELF DIODE	IC 601	759551123300	IC MC33269T G 0.8A LD
D 401	830953414900	MELF-DIODE LL 4148 TFK/ITT	IC 602	759551153100	IC ICE1Q501
D 402	830953414900	MELF-DIODE LL 4148 TFK/ITT	IC 603	759551095100	LM317LZRA 0.1A TO92 IC
D 403	830953414900	MELF-DIODE LL 4148 TFK/ITT	IC 604	759551095100	LM317LZRA 0.1A TO92 IC
D 404	830953414900	MELF-DIODE LL 4148 TFK/ITT	IC 606	759551060700	IC NCP1117DTARK (DPAK)
D 405	830953414900	MELF-DIODE LL 4148 TFK/ITT	IC 607	759551060700	IC NCP1117DTARK (DPAK)
D 501	833021514800	1N4148 MELF DIODE	IC 609	830544043100	IC TL431CLPRP MOT AV330 ER-
D 505	830953414900	MELF-DIODE LL 4148 TFK/ITT	IC 901	759551331100	TSOP38238T VISHAY IR-EMPF AE
D 508	759902002100	DIODE BA 157	L 101	759551095200	SPULE 10UH LAN02 280MA/1R
D 509	759902002100	DIODE BA 157	L 102	759551095200	SPULE 10UH LAN02 280MA/1R
D 510	759902002100	DIODE BA 157	L 103	759813083500	DR 0207 10UH 5% AX
D 510A	759902002100	DIODE BA 157	L 104	759862006100	DR 0309 10UH 4-253T-15020
D 511	759902002100	DIODE BA 157	L 105	759862006100	DR 0309 10UH 4-253T-15020
D 603	830953414900	MELF-DIODE LL 4148 TFK/ITT	L 106	759813083500	DR 0207 10UH 5% AX
D 604	833021514800	1N4148 MELF DIODE	L 107	759551095200	SPULE 10UH LAN02 280MA/1R
D 605	830953414900	MELF-DIODE LL 4148 TFK/ITT	L 108	759551095200	SPULE 10UH LAN02 280MA/1R
D 606	725511823600	DIODE RF2007 IO	L 109	759862006100	DR 0309 10UH 4-253T-15020
D 607	725511823600	DIODE RF2007 IO	L 110	759862006100	DR 0309 10UH 4-253T-15020
D 608	725511823600	DIODE RF2007 IO	L 111	814052636100	DR 0411 10UH 5% AV619 -AMMO
D 609	725511823600	DIODE RF2007 IO	L 112	759551095200	SPULE 10UH LAN02 280MA/1R
D 610	759550455400	DIODE RGP30MS	L 113	759550924000	SPULE 4.7UH
D 611	830953414900	MELF-DIODE LL 4148 TFK/ITT	L 114	759550971400	SPULE 4.7UH LAL04 52MM
D 614	830956550700	DIODE RGP10J/1N4937 MOT/ GP	L 115	759875214900	CHIP SPULE 8.2UH
D 615	759550543400	DIODE RGP30D	L 116	759813083500	DR 0207 10UH 5% AX
D 616	830956550700	DIODE RGP10J/1N4937 MOT/ GP	L 117	759813083500	DR 0207 10UH 5% AX
D 617	830956550700	DIODE RGP10J/1N4937 MOT/ GP	L 203	759550975200	SPULE 10 UH
D 618	830956550700	DIODE RGP10J/1N4937 MOT/ GP	L 204	759550975200	SPULE 10 UH
D 619	759902002100	DIODE BA 157	L 207	759550975200	SPULE 10 UH
D 620	833021514800	1N4148 MELF DIODE	L 208	759550975200	SPULE 10 UH
D 621	830953414900	MELF-DIODE LL 4148 TFK/ITT	L 301	759862006100	DR 0309 10UH 4-253T-15020
D 701	830953414900	MELF-DIODE LL 4148 TFK/ITT	L 401	759551095200	SPULE 10UH LAN02 280MA/1R
D 702	833021514800	1N4148 MELF DIODE	L 402	759551095200	SPULE 10UH LAN02 280MA/1R
D 703	833021514800	1N4148 MELF DIODE	L 403	759551095200	SPULE 10UH LAN02 280MA/1R
D 704	833021514800	1N4148 MELF DIODE	L 404	759862006100	DR 0309 10UH 4-253T-15020
D 705	830953414900	MELF-DIODE LL 4148 TFK/ITT			
D 706	830953414900	MELF-DIODE LL 4148 TFK/ITT			
D 707	830953414900	MELF-DIODE LL 4148 TFK/ITT			

ÄNDERUNGEN VORBEHALTEN / SUBJECT TO ALTERATION

POS. NR. POS. NO.	MATERIAL-NR. PART NUMBER	BEZEICHNUNG DESCRIPTION	POS. NR. POS. NO.	MATERIAL-NR. PART NUMBER	BEZEICHNUNG DESCRIPTION
L 405	759551095200	SPULE 10UH LAN02 280MA/1R	X 502	759551154400	STECKER 4 POL.
L 406	759550924000	SPULE 4.7UH	X 601	△ 759550966400	STECKER 2 POL.
L 504	759551056800	SPULE H-LIN 100UH	X 602	△ 759551153000	STECKER 2 POL.
L 601	759550947200	FILTER 18 MH	X 703	△ 759551077100	BILDROHRSOCKEL
L 602	759550451800	SPULE 50UH	ZD 501	830970755500	Z DIODE ZPD 15 ITT/BZX 55 C
L 603	759550924000	SPULE 4.7UH	ZD 502	759550923600	BZX55C33 DIODE
L 701	759550451500	SPULE 10UH R0814	ZD 503	830972008200	Z DIODE 8,2 C 0,5W
PH 601	△ 759550963200	OPTOKOPPLER TCET 1100/V310	ZD 601	759551098400	DIODE Z9.1V 1.5W
Q 102	759550971800	QUARZ 20.25MHZ 20PPM (10647	ZD 602	759550923500	DIODE ZPD5.1
R 522	△ 759551121600	SICH.WIDERST. 0.220HM J 1W			
R 619	△ 759550933500	WIDERST. 1M 0.5W			
R 620	△ 759551292800	PTC 9 OHM/2P-3CYLCE			
R 635	△ 759550542000	WIDERST 2.7OHM K 5W R10			
R 644	△ 759550452600	WIDERST 4.7MOHM1/2W			
R 649	△ 759550452700	WIDERST 0.1OHM0,4W			
SK 202	759550926700	EURO AV-BUCHSE			
T 102	759551098700	TRANS BC848BLT1G			
T 103	759551098700	TRANS BC848BLT1G			
T 201	759551098700	TRANS BC848BLT1G			
T 205	759551098700	TRANS BC848BLT1G			
T 206	830100685700	SMD-TRANS.BC 857 C			
T 207	830100685700	SMD-TRANS.BC 857 C			
T 301	759551098700	TRANS BC848BLT1G			
T 304	830100685700	SMD-TRANS.BC 857 C			
T 305	830100685700	SMD-TRANS.BC 857 C			
T 306	830100685700	SMD-TRANS.BC 857 C			
T 307	830100685700	SMD-TRANS.BC 857 C			
T 401	759551113800	TRANS BC818-215			
T 403	759551098700	TRANS BC848BLT1G			
T 404	759551098700	TRANS BC848BLT1G			
T 405	759551098700	TRANS BC848BLT1G			
T 406	759551098700	TRANS BC848BLT1G			
T 407	830100685700	SMD-TRANS.BC 857 C			
T 408	830100685700	SMD-TRANS.BC 857 C			
T 409	830100685700	SMD-TRANS.BC 857 C			
T 410	830100685700	SMD-TRANS.BC 857 C			
T 502	759551077600	TRANS TRN BC639			
T 504	759551112500	TRANS 2 SD 2586			
T 601	759551098700	TRANS BC848BLT1G			
T 602	759551098700	TRANS BC848BLT1G			
T 603	759551098700	TRANS BC848BLT1G			
T 609	759551113100	2SK3567 TRANSISTOR			
T 701	759551098700	TRANS BC848BLT1G			
T 702	759551098700	TRANS BC848BLT1G			
T 703	759551098700	TRANS BC848BLT1G			
T 704	759551013200	TRANS BF 421			
T 705	759551013200	TRANS BF 421			
T 706	759551013200	TRANS BF 421			
T 707	759551153300	TRANS.2SC3619			
T 708	759551153300	TRANS.2SC3619			
T 709	759551153300	TRANS.2SC3619			
TH 601	759880944900	TYRISTOR MCR 22-8			
TR 501	759551077200	TRAFO			
TR 502	△ 759551224200	TRAFO FBT 040150R-T1			
TR 601	△ 759551153400	TRAFO SMT 20/21 EL/2084.013			
TU 102	759551221100	TUNER PS ENV57K04G3 RF			
X 301	759550999100	STECKERLEISTE 4 POL.			

Es gelten die Vorschriften und Sicherheitshinweise gemäß dem Service Manual "Sicherheit", Mat.-Nummer 720108000001, sowie zusätzlich die eventuell abweichenden, landesspezifischen Vorschriften!



The regulations and safety instructions shall be valid as provided by the "Safety" Service Manual, part number 720108000001, as well as the respective national deviations.

ÄNDERUNGEN VORBEHALTEN / SUBJECT TO ALTERATION

Ersatzteilliste
Spare Parts List

3 / 2007

LP-CHASSISMODUL K2
CHASSISBOARD K2

MATERIAL-NR. / PART NO.: 275990195100

POS. NR. POS. NO.	ABB. FIG.	MATERIAL-NR. PART NUMBER	ANZ. QTY.	BEZEICHNUNG DESCRIPTION
----------------------	--------------	-----------------------------	--------------	----------------------------

275990195100 LP-CHASSISMODUL K2
KEIN E-TEIL

CHASSISBOARD K2
NO SPARE PART

POS. NR. POS. NO.	MATERIAL-NR. PART NUMBER	BEZEICHNUNG DESCRIPTION	POS. NR. POS. NO.	MATERIAL-NR. PART NUMBER	BEZEICHNUNG DESCRIPTION
C 527	△ 759551124400	KONDENS. 7.8 NF 1.5 KV	D 707	830953414900	MELF-DIODE LL 4148 TFK/ITT
C 528	△ 759551088400	KONDENS. 270NF J 250V R:1	D 708	830921512700	1N4007 -GA DIODE
C 625	△ 759550542100	KONDENS 330NF K 275V-AC	F 103	831900696700	OFWFIL X6966M100 SIE
C 626	△ 759550949300	KONDENS. 220 NF/275 V AC	FS 601	△ 759550922700	SICHERUNG 3.15AT
C 636	△ 759550965300	KONDENS 220PF M 250VAC R:10	IC 101	720086718500	SW/IC K1 256K
C 637	△ 759550965300	KONDENS 220PF M 250VAC R:10	IC 201	759551078800	IC MC 14052BD
C 654	△ 759880450800	KONDENS. 2.2NF 20% 250V	IC 301	759550506300	AN5277 IC
D 102	759880755100	DIODE 1N5819	IC 401	759550519300	IC CHIP AT24C16AN 10SI TAPE
D 201	830953414900	MELF-DIODE LL 4148 TFK/ITT	IC 501	759550943300	IC TDA 8359 J/N2A
D 202	833021514800	1N4148 MELF DIODE	IC 601	759551123300	IC MC33269T G 0.8A LD
D 401	830953414900	MELF-DIODE LL 4148 TFK/ITT	IC 602	759551153100	IC ICE1QS01
D 402	830953414900	MELF-DIODE LL 4148 TFK/ITT	IC 603	759551095100	LM317LZRA 0.1A TO92 IC
D 403	830953414900	MELF-DIODE LL 4148 TFK/ITT	IC 604	759551095100	LM317LZRA 0.1A TO92 IC
D 404	830953414900	MELF-DIODE LL 4148 TFK/ITT	IC 606	759551060700	IC NCP1117DTARK (DPAK)
D 405	830953414900	MELF-DIODE LL 4148 TFK/ITT	IC 607	759551060700	IC NCP1117DTARK (DPAK)
D 501	833021514800	1N4148 MELF DIODE	IC 609	830544043100	IC TL431CLPRP MOT AV330 ER-
D 505	830953414900	MELF-DIODE LL 4148 TFK/ITT	IC 901	759551331100	TSOP38238T VISHAY IR-EMPF
D 508	759902002100	DIODE BA 157	L 101	759551095200	SPULE 10UH LAN02 280MA/1R
D 509	759902002100	DIODE BA 157	L 102	759551095200	SPULE 10UH LAN02 280MA/1R
D 510	759902002100	DIODE BA 157	L 103	759813083500	DR 0207 10UH 5% AX
D 510A	759902002100	DIODE BA 157	L 104	759862006100	DR 0309 10UH 4-253T-15020
D 511	759902002100	DIODE BA 157	L 105	759862006100	DR 0309 10UH 4-253T-15020
D 603	830953414900	MELF-DIODE LL 4148 TFK/ITT	L 106	759813083500	DR 0207 10UH 5% AX
D 604	833021514800	1N4148 MELF DIODE	L 107	759551095200	SPULE 10UH LAN02 280MA/1R
D 605	830953414900	MELF-DIODE LL 4148 TFK/ITT	L 108	759551095200	SPULE 10UH LAN02 280MA/1R
D 606	725511823600	DIODE RF2007 IO	L 109	759862006100	DR 0309 10UH 4-253T-15020
D 607	725511823600	DIODE RF2007 IO	L 110	759862006100	DR 0309 10UH 4-253T-15020
D 608	725511823600	DIODE RF2007 IO	L 111	814052636100	DR 0411 10UH 5% AV619 -AMMO
D 609	725511823600	DIODE RF2007 IO	L 112	759551095200	SPULE 10UH LAN02 280MA/1R
D 610	759550455400	DIODE RGP30MS	L 113	759550924000	SPULE 4.7UH
D 611	830953414900	MELF-DIODE LL 4148 TFK/ITT	L 114	759550971400	SPULE 4.7UH LAL04 52MM
D 614	830956550700	DIODE RGP10J/1N4937 MOT/GP	L 115	759875214900	CHIP SPULE 8.2UH
D 615	759550543400	DIODE RGP30D	L 116	759813083500	DR 0207 10UH 5% AX
D 616	830956550700	DIODE RGP10J/1N4937 MOT/GP	L 117	759813083500	DR 0207 10UH 5% AX
D 617	830956550700	DIODE RGP10J/1N4937 MOT/GP	L 118	759550975200	SPULE 10 UH
D 618	830956550700	DIODE RGP10J/1N4937 MOT/GP	L 119	759550975200	SPULE 10 UH
D 619	759902002100	DIODE BA 157	L 120	759550975200	SPULE 10 UH
D 620	833021514800	1N4148 MELF DIODE	L 121	759862006100	DR 0309 10UH 4-253T-15020
D 621	830953414900	MELF-DIODE LL 4148 TFK/ITT	L 122	759551095200	SPULE 10UH LAN02 280MA/1R
D 701	830953414900	MELF-DIODE LL 4148 TFK/ITT	L 123	759551095200	SPULE 10UH LAN02 280MA/1R
D 702	833021514800	1N4148 MELF DIODE	L 124	759550975200	SPULE 10 UH
D 703	833021514800	1N4148 MELF DIODE	L 125	759550975200	SPULE 10 UH
D 704	833021514800	1N4148 MELF DIODE	L 126	759550975200	SPULE 10 UH
D 705	830953414900	MELF-DIODE LL 4148 TFK/ITT	L 127	759862006100	DR 0309 10UH 4-253T-15020
D 706	830953414900	MELF-DIODE LL 4148 TFK/ITT	L 128	759551095200	SPULE 10UH LAN02 280MA/1R

ÄNDERUNGEN VORBEHALTEN / SUBJECT TO ALTERATION

POS. NR. POS. NO.	MATERIAL-NR. PART NUMBER	BEZEICHNUNG DESCRIPTION
L 404	759862006100	DR 0309 10UH 4-253T-15020
L 405	759551095200	SPULE 10UH LAN02 280MA/1R
L 406	759550924000	SPULE 4.7UH
L 504	759551056800	SPULE H-LIN 100UH
L 601	759550947200	FILTER 18 MH
L 602	759550922600	SPULE 50UH
L 603	759550924000	SPULE 4.7UH
L 701	759550451500	SPULE 10UH R0814
PH 601	△ 759550963200	OPTOKOPPLER TCET 1100V/310
Q 102	759550971800	QUARZ 20.25MHZ 20PPM (10647
R 522	△ 759551121600	SICH.WIDERST. 0.22OHM J 1W
R 619	△ 759550933500	WIDERST. 1M 0.5W
R 620	△ 759551292800	PTC 9 OHM/2P-3CYLCE
R 635	△ 759550542000	WIDERST 2.7OHM K 5W R10
R 644	△ 759550452600	WIDERST 4.7MOHM1/2W
R 649	△ 759550452700	WIDERST 0.1OHM0.4W
SK 202	759550926700	EURO AV-BUCHSE
T 102	830100484800	SMD TRANS BC848B/ BC847B P
T 103	830100484800	SMD TRANS BC848B/ BC847B P
T 201	830100484800	SMD TRANS BC848B/ BC847B P
T 205	830100484800	SMD TRANS BC848B/ BC847B P
T 206	830100685700	SMD-TRANS.BC 857 C
T 207	830100685700	SMD-TRANS.BC 857 C
T 301	830100484800	SMD TRANS BC848B/ BC847B P
T 304	830100685700	SMD-TRANS.BC 857 C
T 305	830100685700	SMD-TRANS.BC 857 C
T 306	830100685700	SMD-TRANS.BC 857 C
T 307	830100685700	SMD-TRANS.BC 857 C
T 401	759551113800	TRANS BC818-215
T 403	830100484800	SMD TRANS BC848B/ BC847B P
T 404	830100484800	SMD TRANS BC848B/ BC847B P
T 405	830100484800	SMD TRANS BC848B/ BC847B P
T 406	830100484800	SMD TRANS BC848B/ BC847B P
T 407	830100685700	SMD-TRANS.BC 857 C
T 408	830100685700	SMD-TRANS.BC 857 C
T 409	830100685700	SMD-TRANS.BC 857 C
T 410	830100685700	SMD-TRANS.BC 857 C
T 502	759551077600	TRANS TRN BC639
T 504	759551112500	TRANS 2 SD 2586
T 601	830100484800	SMD TRANS BC848B/ BC847B P
T 602	830100484800	SMD TRANS BC848B/ BC847B P
T 603	830100484800	SMD TRANS BC848B/ BC847B P
T 609	759551113100	2SK3567 TRANSISTOR
T 701	830100484800	SMD TRANS BC848B/ BC847B P
T 702	830100484800	SMD TRANS BC848B/ BC847B P
T 703	830100484800	SMD TRANS BC848B/ BC847B P
T 704	759551013200	TRANS BF 421
T 705	759551013200	TRANS BF 421
T 706	759551013200	TRANS BF 421
T 707	759551153300	TRANS.2SC3619
T 708	759551153300	TRANS.2SC3619
T 709	759551153300	TRANS.2SC3619
TH 601	759880944900	TYRISTOR MCR 22-8
TR 501	759551077200	TRAFO
TR 502	△ 759551224200	TRAFO FBT 040150R-T1
TR 601	△ 759551153400	TRAFO SMT 20/21 EL/2084.013
TU 102	759551221100	TUNER PS ENV57K04G3 RF

Es gelten die Vorschriften und Sicherheitshinweise gemäß dem Service Manual "Sicherheit", Mat.-Nummer 720108000001, sowie zusätzlich die eventuell abweichenden, landesspezifischen Vorschriften!



The regulations and safety instructions shall be valid as provided by the "Safety" Service Manual, part number 720108000001, as well as the respective national deviations.

ÄNDERUNGEN VORBEHALTEN / SUBJECT TO ALTERATION

Ersatzteilliste
Spare Parts List

3 / 2007

LP-CHASSISMODUL K2
CHASSISBOARD K2

MATERIAL-NR. / PART NO.: 275990195600

POS. NR. POS. NO.	ABB. FIG.	MATERIAL-NR. PART NUMBER	ANZ. QTY.	BEZEICHNUNG DESCRIPTION
----------------------	--------------	-----------------------------	--------------	----------------------------

275990195600 LP-CHASSISMODUL K2
KEIN E-TEIL

CHASSISBOARD K2
NO SPARE PART

POS. NR. POS. NO.	MATERIAL-NR. PART NUMBER	BEZEICHNUNG DESCRIPTION	POS. NR. POS. NO.	MATERIAL-NR. PART NUMBER	BEZEICHNUNG DESCRIPTION
C 527	△ 759551124400	KONDENS. 7.8 NF 1.5 KV	D 707	830953414900	MELF-DIODE LL 4148 TFK/ITT
C 528	△ 759551088400	KONDENS. 270NF J 250V R:1	D 708	830921512700	1N4007 -GA DIODE
C 625	△ 759550542100	KONDENS 330NF K 275V-AC	F 103	831900696700	OFWFIL X6966M100 SIE
C 626	△ 759550949300	KONDENS. 220 NF/275 V AC	FS 601	△ 759550922700	SICHERUNG 3.15AT
C 636	△ 759550965300	KONDENS 220PF M 250VAC R:10	IC 101	720086718500	SW/IC K1 256K
C 637	△ 759550965300	KONDENS 220PF M 250VAC R:10	IC 201	759551078800	IC MC 14052BD
C 654	△ 759880450800	KONDENS. 2.2NF 20% 250V	IC 301	759550506300	ANS277 IC
D 102	759880755100	DIODE 1N5819	IC 401	759550519300	IC CHIP AT24C16AN 10SI TAPE
D 201	830953414900	MELF-DIODE LL 4148 TFK/ITT	IC 501	759550943300	IC TDA 8359 J/N2A
D 202	833021514800	1N4148 MELF DIODE	IC 601	759551123300	IC MC33269T G 0.8A LD
D 401	830953414900	MELF-DIODE LL 4148 TFK/ITT	IC 602	759551153100	IC ICE1QS01
D 402	830953414900	MELF-DIODE LL 4148 TFK/ITT	IC 603	759551095100	LM317LZRA 0.1A TO92 IC
D 403	830953414900	MELF-DIODE LL 4148 TFK/ITT	IC 604	759551095100	LM317LZRA 0.1A TO92 IC
D 404	830953414900	MELF-DIODE LL 4148 TFK/ITT	IC 606	759551060700	IC NCP1117DTARK (DPAK)
D 405	830953414900	MELF-DIODE LL 4148 TFK/ITT	IC 607	759551060700	IC NCP1117DTARK (DPAK)
D 501	833021514800	1N4148 MELF DIODE	IC 609	830544043100	IC TL431CLPRP MOT AV330 ER-
D 505	830953414900	MELF-DIODE LL 4148 TFK/ITT	IC 901	7595511331100	TSOP38238T VISHAY IR-EMPPFAE
D 508	759902002100	DIODE BA 157	L 101	759551095200	SPULE 10UH LAN02 280MA/1R
D 509	759902002100	DIODE BA 157	L 102	759551095200	SPULE 10UH LAN02 280MA/1R
D 510	759902002100	DIODE BA 157	L 103	759813083500	DR 0207 10UH 5% AX
D 510A	759902002100	DIODE BA 157	L 104	759862006100	DR 0309 10UH 4-253T-15020
D 511	759902002100	DIODE BA 157	L 105	759862006100	DR 0309 10UH 4-253T-15020
D 603	830953414900	MELF-DIODE LL 4148 TFK/ITT	L 106	759813083500	DR 0207 10UH 5% AX
D 604	833021514800	1N4148 MELF DIODE	L 107	759551095200	SPULE 10UH LAN02 280MA/1R
D 605	830953414900	MELF-DIODE LL 4148 TFK/ITT	L 108	759551095200	SPULE 10UH LAN02 280MA/1R
D 606	725511823600	DIODE RF2007 IO	L 109	759862006100	DR 0309 10UH 4-253T-15020
D 607	725511823600	DIODE RF2007 IO	L 110	759862006100	DR 0309 10UH 4-253T-15020
D 608	725511823600	DIODE RF2007 IO	L 111	814052636100	DR 0411 10UH 5% AV619 -AMMO
D 609	725511823600	DIODE RF2007 IO	L 112	759551095200	SPULE 10UH LAN02 280MA/1R
D 610	759550455400	DIODE RGP30MS	L 113	759550924000	SPULE 4.7UH
D 611	830953414900	MELF-DIODE LL 4148 TFK/ITT	L 114	759550971400	SPULE 4.7UH LAL04 52MM
D 614	830956550700	DIODE RGP10J/1N4937 MOT/GP	L 115	759875214900	CHIP SPULE 8.2UH
D 615	759550543400	DIODE RGP30D	L 116	759813083500	DR 0207 10UH 5% AX
D 616	830956550700	DIODE RGP10J/1N4937 MOT/GP	L 117	759813083500	DR 0207 10UH 5% AX
D 617	830956550700	DIODE RGP10J/1N4937 MOT/GP	L 118	759550975200	SPULE 10 UH
D 618	830956550700	DIODE RGP10J/1N4937 MOT/GP	L 119	759550975200	SPULE 10 UH
D 619	759902002100	DIODE BA 157	L 120	759550975200	SPULE 10 UH
D 620	833021514800	1N4148 MELF DIODE	L 121	759862006100	DR 0309 10UH 4-253T-15020
D 621	830953414900	MELF-DIODE LL 4148 TFK/ITT	L 122	759551095200	SPULE 10UH LAN02 280MA/1R
D 701	830953414900	MELF-DIODE LL 4148 TFK/ITT	L 123	759551095200	SPULE 10UH LAN02 280MA/1R
D 702	833021514800	1N4148 MELF DIODE	L 124	759550975200	SPULE 10 UH
D 703	833021514800	1N4148 MELF DIODE	L 125	759550975200	SPULE 10 UH
D 704	833021514800	1N4148 MELF DIODE	L 126	759550975200	SPULE 10 UH
D 705	830953414900	MELF-DIODE LL 4148 TFK/ITT	L 127	759862006100	DR 0309 10UH 4-253T-15020
D 706	830953414900	MELF-DIODE LL 4148 TFK/ITT	L 128	759551095200	SPULE 10UH LAN02 280MA/1R

ÄNDERUNGEN VORBEHALTEN / SUBJECT TO ALTERATION

POS. NR. POS. NO.	MATERIAL-NR. PART NUMBER	BEZEICHNUNG DESCRIPTION
L 404	759862006100	DR 0309 10UH 4-253T-15020
L 405	759551095200	SPULE 10UH LAN02 280MA/1R
L 406	759550924000	SPULE 4.7UH
L 504	759551056800	SPULE H-LIN 100UH
L 601	759550947200	FILTER 18 MH
L 602	759550922600	SPULE 50UH
L 603	759550924000	SPULE 4.7UH
L 701	759550451500	SPULE 10UH R0814
PH 601	△ 759550963200	OPTOKOPPLER TCET 1100/V310
Q 102	759550971800	QUARZ 20.25MHZ 20PPM (10647
R 522	△ 759551121600	SICH.WIDERST. 0.22OHM J 1W
R 619	△ 759550933500	WIDERST. 1M 0.5W
R 620	△ 759551292800	PTC 9 OHM/2P-3CYLCE
R 635	△ 759550542000	WIDERST 2.7OHM K 5W R10
R 644	△ 759550452600	WIDERST 4.7MOHM1/2W
R 649	△ 759550452700	WIDERST 0.1OHM0.4W
SK 202	759550926700	EURO AV-BUCHSE
T 102	830100484800	SMD TRANS BC848B/ BC847B P
T 103	830100484800	SMD TRANS BC848B/ BC847B P
T 201	830100484800	SMD TRANS BC848B/ BC847B P
T 205	830100484800	SMD TRANS BC848B/ BC847B P
T 206	830100685700	SMD-TRANS.BC 857 C
T 207	830100685700	SMD-TRANS.BC 857 C
T 301	830100484800	SMD TRANS BC848B/ BC847B P
T 304	830100685700	SMD-TRANS.BC 857 C
T 305	830100685700	SMD-TRANS.BC 857 C
T 306	830100685700	SMD-TRANS.BC 857 C
T 307	830100685700	SMD-TRANS.BC 857 C
T 401	759551113800	TRANS BC818-215
T 403	830100484800	SMD TRANS BC848B/ BC847B P
T 404	830100484800	SMD TRANS BC848B/ BC847B P
T 405	830100484800	SMD TRANS BC848B/ BC847B P
T 406	830100484800	SMD TRANS BC848B/ BC847B P
T 407	830100685700	SMD-TRANS.BC 857 C
T 408	830100685700	SMD-TRANS.BC 857 C
T 409	830100685700	SMD-TRANS.BC 857 C
T 410	830100685700	SMD-TRANS.BC 857 C
T 502	759551077600	TRANS TRN BC639
T 504	759551112500	TRANS 2 SD 2586
T 601	830100484800	SMD TRANS BC848B/ BC847B P
T 602	830100484800	SMD TRANS BC848B/ BC847B P
T 603	830100484800	SMD TRANS BC848B/ BC847B P
T 609	759551113100	2SK3567 TRANSISTOR
T 701	830100484800	SMD TRANS BC848B/ BC847B P
T 702	830100484800	SMD TRANS BC848B/ BC847B P
T 703	830100484800	SMD TRANS BC848B/ BC847B P
T 704	759551013200	TRANS BF 421
T 705	759551013200	TRANS BF 421
T 706	759551013200	TRANS BF 421
T 707	759551153300	TRANS.2SC3619
T 708	759551153300	TRANS.2SC3619
T 709	759551153300	TRANS.2SC3619
TH 601	759880944900	TYRISTOR MCR 22-8
TR 501	759551077200	TRAFO
TR 502	△ 759551224200	TRAFO FBT 040150R-T1
TR 601	△ 759551153400	TRAFO SMT 20/21 EL/2084.013
TU 102	759551221100	TUNER PS ENV57K04G3 RF

Es gelten die Vorschriften und Sicherheitshinweise gemäß dem Service Manual "Sicherheit", Mat.-Nummer 720108000001, sowie zusätzlich die eventuell abweichenden, landesspezifischen Vorschriften!



The regulations and safety instructions shall be valid as provided by the "Safety" Service Manual, part number 720108000001, as well as the respective national deviations.

ÄNDERUNGEN VORBEHALTEN / SUBJECT TO ALTERATION

Ersatzteilliste
Spare Parts List

3 / 2007

LP-CHASSISMODUL K2
CHASSISBOARD K2

MATERIAL-NR. / PART NO.: 275990195800

POS. NR. POS. NO.	ABB. FIG.	MATERIAL-NR. PART NUMBER	ANZ. QTY.	BEZEICHNUNG DESCRIPTION	DESCRIPTION (GB)
		275990195800		LP-CHASSISMODUL K2 KEIN E-TEIL	CHASSISBOARD K2 NO SPARE PART

POS. NR. POS. NO.	MATERIAL-NR. PART NUMBER	BEZEICHNUNG DESCRIPTION	POS. NR. POS. NO.	MATERIAL-NR. PART NUMBER	BEZEICHNUNG DESCRIPTION
C 527	△ 759551124400	KONDENS. 7.8 NF 1.5 KV	D 707	830953414900	MELF-DIODE LL 4148 TFK/ITT
C 528	△ 759551088400	KONDENS. 270NF J 250V R:1	D 708	830921512700	1N4007 -GA DIODE
C 625	△ 759550542100	KONDENS 330NF K 275V-AC	F 103	831900696700	OFWFIL X6966M100 SIE
C 626	△ 759550949300	KONDENS. 220 NF/275 V AC	FS 601	△ 759550922700	SICHERUNG 3.15AT
C 636	△ 759550965300	KONDENS 220PF M 250VAC R:10	IC 101	720086718500	SW/IC K1 256K
C 637	△ 759550965300	KONDENS 220PF M 250VAC R:10	IC 201	759551078800	IC MC 14052BD
C 654	△ 759880450800	KONDENS. 2.2NF 20% 250V	IC 301	759550506300	AN5277 IC
D 102	759880755100	DIODE 1N5819	IC 401	759550519300	IC CHIP AT24C16AN 10SI TAPE
D 201	830953414900	MELF-DIODE LL 4148 TFK/ITT	IC 501	759550943300	IC TDA 8359 J/N2A
D 202	833021514800	1N4148 MELF DIODE	IC 601	759551123300	IC MC33269T G 0.8A LD
D 401	830953414900	MELF-DIODE LL 4148 TFK/ITT	IC 602	759551153100	IC ICE1Q501
D 402	830953414900	MELF-DIODE LL 4148 TFK/ITT	IC 603	759551095100	LM317LZRA 0.1A TO92 IC
D 403	830953414900	MELF-DIODE LL 4148 TFK/ITT	IC 604	759551095100	LM317LZRA 0.1A TO92 IC
D 404	830953414900	MELF-DIODE LL 4148 TFK/ITT	IC 606	759551060700	IC NCP1117DTARK (DPAK)
D 405	830953414900	MELF-DIODE LL 4148 TFK/ITT	IC 607	759551060700	IC NCP1117DTARK (DPAK)
D 501	833021514800	1N4148 MELF DIODE	IC 609	830544043100	IC TL431CLPRP MOT AV330 ER-
D 505	830953414900	MELF-DIODE LL 4148 TFK/ITT	IC 901	759551331100	TSOP38238T VISHAY IR-EMPF AE
D 508	759902002100	DIODE BA 157	L 101	759551095200	SPULE 10UH LAN02 280MA/1R
D 509	759902002100	DIODE BA 157	L 102	759551095200	SPULE 10UH LAN02 280MA/1R
D 510	759902002100	DIODE BA 157	L 103	759813083500	DR 0207 10UH 5% AX
D 510A	759902002100	DIODE BA 157	L 104	759862006100	DR 0309 10UH 4-253T-15020
D 511	759902002100	DIODE BA 157	L 105	759862006100	DR 0309 10UH 4-253T-15020
D 603	830953414900	MELF-DIODE LL 4148 TFK/ITT	L 106	759813083500	DR 0207 10UH 5% AX
D 604	833021514800	1N4148 MELF DIODE	L 107	759551095200	SPULE 10UH LAN02 280MA/1R
D 605	830953414900	MELF-DIODE LL 4148 TFK/ITT	L 108	759551095200	SPULE 10UH LAN02 280MA/1R
D 606	725511823600	DIODE RF2007 IO	L 109	759862006100	DR 0309 10UH 4-253T-15020
D 607	725511823600	DIODE RF2007 IO	L 110	759862006100	DR 0309 10UH 4-253T-15020
D 608	725511823600	DIODE RF2007 IO	L 111	814052636100	DR 0411 10UH 5% AV619 -AMMO
D 609	725511823600	DIODE RF2007 IO	L 112	759551095200	SPULE 10UH LAN02 280MA/1R
D 610	759550455400	DIODE RGP30MS	L 113	759550924000	SPULE 4.7UH
D 611	830953414900	MELF-DIODE LL 4148 TFK/ITT	L 114	759550971400	SPULE 4.7UH LAL04 52MM
D 614	830956550700	DIODE RGP10J/1N4937 MOT/GP	L 115	759875214900	CHIP SPULE 8.2UH
D 615	759550543400	DIODE RGP30D	L 116	759813083500	DR 0207 10UH 5% AX
D 616	830956550700	DIODE RGP10J/1N4937 MOT/GP	L 117	759813083500	DR 0207 10UH 5% AX
D 617	830956550700	DIODE RGP10J/1N4937 MOT/GP	L 203	759550975200	SPULE 10 UH
D 618	830956550700	DIODE RGP10J/1N4937 MOT/GP	L 204	759550975200	SPULE 10 UH
D 619	759902002100	DIODE BA 157	L 207	759550975200	SPULE 10 UH
D 620	833021514800	1N4148 MELF DIODE	L 208	759550975200	SPULE 10 UH
D 621	830953414900	MELF-DIODE LL 4148 TFK/ITT	L 301	759862006100	DR 0309 10UH 4-253T-15020
D 701	830953414900	MELF-DIODE LL 4148 TFK/ITT	L 401	759551095200	SPULE 10UH LAN02 280MA/1R
D 702	833021514800	1N4148 MELF DIODE	L 402	759551095200	SPULE 10UH LAN02 280MA/1R
D 703	833021514800	1N4148 MELF DIODE	L 403	759551095200	SPULE 10UH LAN02 280MA/1R
D 704	833021514800	1N4148 MELF DIODE			
D 705	830953414900	MELF-DIODE LL 4148 TFK/ITT			
D 706	830953414900	MELF-DIODE LL 4148 TFK/ITT			

ÄNDERUNGEN VORBEHALTEN / SUBJECT TO ALTERATION

POS. NR. POS. NO.	MATERIAL-NR. PART NUMBER	BEZEICHNUNG DESCRIPTION	POS. NR. POS. NO.	MATERIAL-NR. PART NUMBER	BEZEICHNUNG DESCRIPTION
L 404	759862006100	DR 0309 10UH 4-253T-15020	X 301	759550999100	STECKERLEISTE 4 POL.
L 405	759551095200	SPULE 10UH LAN02 280MA/1R	X 502	759551154400	STECKER 4 POL.
L 406	759550924000	SPULE 4.7UH	X 601	△ 759550966400	STECKER 2 POL.
L 504	759551056800	SPULE H-LIN 100UH	X 602	△ 759551153000	STECKER 2 POL.
L 601	759550947200	FILTER 18 MH	X 703	△ 759551077100	BILDROHRSOCKEL
L 602	759550922600	SPULE 50UH	ZD 501	830970755500	Z DIODE ZPD 15 ITT/BZX 55 C
L 603	759550924000	SPULE 4.7UH	ZD 502	759550923600	BZX55C33 DIODE
L 701	759550451500	SPULE 10UH R0814	ZD 503	830972008200	Z DIODE 8.2 C 0,5W
PH 601	△ 759550963200	OPTOKOPPLER TCET 1100/V310	ZD 601	759551098400	DIODE Z9.1V 1.5W
Q 102	759550971800	QUARZ 20.25MHZ 20PPM (10647	ZD 602	759550923500	DIODE ZPD5.1
R 522	△ 759551121600	SICH.WIDERST. 0.22OHM J 1W			
R 619	△ 759550933500	WIDERST. 1M 0.5W			
R 620	△ 759551292800	PTC 9 OHM/2P-3CYLCE			
R 635	△ 759550542000	WIDERST 2.7OHM K 5W R10			
R 644	△ 759550452600	WIDERST 4.7MOHM1/2W			
R 649	△ 759550452700	WIDERST 0.1OHM0.4W			
SK 202	759550926700	EURO AV-BUCHSE			
T 102	759551098700	TRANS BC848BLT1G			
T 103	759551098700	TRANS BC848BLT1G			
T 201	759551098700	TRANS BC848BLT1G			
T 205	759551098700	TRANS BC848BLT1G			
T 206	830100685700	SMD-TRANS.BC 857 C			
T 207	830100685700	SMD-TRANS.BC 857 C			
T 301	759551098700	TRANS BC848BLT1G			
T 304	830100685700	SMD-TRANS.BC 857 C			
T 305	830100685700	SMD-TRANS.BC 857 C			
T 306	830100685700	SMD-TRANS.BC 857 C			
T 307	830100685700	SMD-TRANS.BC 857 C			
T 401	759551113800	TRANS BC818-215			
T 403	759551098700	TRANS BC848BLT1G			
T 404	759551098700	TRANS BC848BLT1G			
T 405	759551098700	TRANS BC848BLT1G			
T 406	759551098700	TRANS BC848BLT1G			
T 407	830100685700	SMD-TRANS.BC 857 C			
T 408	830100685700	SMD-TRANS.BC 857 C			
T 409	830100685700	SMD-TRANS.BC 857 C			
T 410	830100685700	SMD-TRANS.BC 857 C			
T 502	759551077600	TRANS TRN BC639			
T 504	759551112500	TRANS 2 SD 2586			
T 601	759551098700	TRANS BC848BLT1G			
T 602	759551098700	TRANS BC848BLT1G			
T 603	759551098700	TRANS BC848BLT1G			
T 609	759551113100	2SK3567 TRANSISTOR			
T 701	759551098700	TRANS BC848BLT1G			
T 702	759551098700	TRANS BC848BLT1G			
T 703	759551098700	TRANS BC848BLT1G			
T 704	759551013200	TRANS BF 421			
T 705	759551013200	TRANS BF 421			
T 706	759551013200	TRANS BF 421			
T 707	759551153300	TRANS.2SC3619			
T 708	759551153300	TRANS.2SC3619			
T 709	759551153300	TRANS.2SC3619			
TH 601	759880944900	TYRISTOR MCR 22-8			
TR 501	759551077200	TRAF0			
TR 502	△ 759551224200	TRAF0 FBT 040150R-T1			
TR 601	△ 759551153400	TRAF0 SMT 20/21 EL/2084.013			
TU 102	759551221100	TUNER PS ENV57K04G3 RF			

Es gelten die Vorschriften und Sicherheitshinweise gemäß dem Service Manual "Sicherheit", Mat.-Nummer 720108000001, sowie zusätzlich die eventuell abweichenden, landesspezifischen Vorschriften!



The regulations and safety instructions shall be valid as provided by the "Safety" Service Manual, part number 720108000001, as well as the respective national deviations.

ÄNDERUNGEN VORBEHALTEN / SUBJECT TO ALTERATION

Ersatzteilliste
Spare Parts List

3 / 2007

LP-CHASSISMODUL K2
CHASSISBOARD K2

MATERIAL-NR. / PART NO.: 275990195900

POS. NR. POS. NO.	ABB. FIG.	MATERIAL-NR. PART NUMBER	ANZ. QTY.	BEZEICHNUNG D	DESCRIPTION GB
----------------------	--------------	-----------------------------	--------------	------------------	-------------------

275990195900 LP-CHASSISMODUL K2
KEIN E-TEIL

CHASSISBOARD K2
NO SPARE PART

POS. NR. POS. NO.	MATERIAL-NR. PART NUMBER	BEZEICHNUNG DESCRIPTION	POS. NR. POS. NO.	MATERIAL-NR. PART NUMBER	BEZEICHNUNG DESCRIPTION
C 527	△ 759551124400	KONDENS. 7.8 NF 1.5 KV	D 707	830953414900	MELF-DIODE LL 4148 TFK/ITT
C 528	△ 759551088400	KONDENS. 270NF J 250V R:1	D 708	830921512700	1N4007 -GA DIODE
C 625	△ 759550542100	KONDENS 330NF K 275V-AC	F 103	831900696700	OFWFIL X6966M100 SIE
C 626	△ 759550949300	KONDENS. 220 NF/275 V AC	FS 601	△ 759550922700	SICHERUNG 3.15AT
C 636	△ 759550965300	KONDENS 220PF M 250VAC R:10	IC 101	720086718500	SW/IC K1 256K
C 637	△ 759550965300	KONDENS 220PF M 250VAC R:10	IC 201	759551078800	IC MC 14052BD
C 654	△ 759880450800	KONDENS. 2.2NF 20% 250V	IC 301	759550506300	AN5277 IC
D 102	759880755100	DIODE 1N5819	IC 401	759550519300	IC CHIP AT24C16AN 10SI TAPE
D 201	830953414900	MELF-DIODE LL 4148 TFK/ITT	IC 501	759550943300	IC TDA 8359 JIN2A
D 202	833021514800	1N4148 MELF DIODE	IC 601	759551123300	IC MC33269T G 0.8A LD
D 401	830953414900	MELF-DIODE LL 4148 TFK/ITT	IC 602	759551153100	IC ICE1QS01
D 402	830953414900	MELF-DIODE LL 4148 TFK/ITT	IC 603	759551095100	LM317LZRA 0.1A TO92 IC
D 403	830953414900	MELF-DIODE LL 4148 TFK/ITT	IC 604	759551095100	LM317LZRA 0.1A TO92 IC
D 404	830953414900	MELF-DIODE LL 4148 TFK/ITT	IC 606	759551060700	IC NCP1117DTARK (DPAK)
D 405	830953414900	MELF-DIODE LL 4148 TFK/ITT	IC 607	759551060700	IC NCP1117DTARK (DPAK)
D 501	833021514800	1N4148 MELF DIODE	IC 609	830544043100	IC TL431CLPRP MOT AV330 ER-
D 505	830953414900	MELF-DIODE LL 4148 TFK/ITT	IC 901	759551331100	TSOP38238T VISHAY IR-EMPPFAE
D 508	759902002100	DIODE BA 157	L 101	759551095200	SPULE 10UH LAN02 280MA/1R
D 509	759902002100	DIODE BA 157	L 102	759551095200	SPULE 10UH LAN02 280MA/1R
D 510	759902002100	DIODE BA 157	L 103	759813083500	DR 0207 10UH 5% AX
D 510A	759902002100	DIODE BA 157	L 104	759862006100	DR 0309 10UH 4-253T-15020
D 511	759902002100	DIODE BA 157	L 105	759862006100	DR 0309 10UH 4-253T-15020
D 603	830953414900	MELF-DIODE LL 4148 TFK/ITT	L 106	759813083500	DR 0207 10UH 5% AX
D 604	833021514800	1N4148 MELF DIODE	L 107	759551095200	SPULE 10UH LAN02 280MA/1R
D 605	830953414900	MELF-DIODE LL 4148 TFK/ITT	L 108	759551095200	SPULE 10UH LAN02 280MA/1R
D 606	725511823600	DIODE RF2007 IO	L 109	759862006100	DR 0309 10UH 4-253T-15020
D 607	725511823600	DIODE RF2007 IO	L 110	759862006100	DR 0309 10UH 4-253T-15020
D 608	725511823600	DIODE RF2007 IO	L 111	814052636100	DR 0411 10UH 5% AV619 -AMMO
D 609	725511823600	DIODE RF2007 IO	L 112	759551095200	SPULE 10UH LAN02 280MA/1R
D 610	759550455400	DIODE RGP30MS	L 113	759550924000	SPULE 4.7UH
D 611	830953414900	MELF-DIODE LL 4148 TFK/ITT	L 114	759550971400	SPULE 4.7UH LAL04 52MM
D 614	830956550700	DIODE RGP10J/1N4937 MOT/GP	L 115	759875214900	CHIP SPULE 8.2UH
D 615	759550543400	DIODE RGP30D	L 116	759813083500	DR 0207 10UH 5% AX
D 616	830956550700	DIODE RGP10J/1N4937 MOT/GP	L 117	759813083500	DR 0207 10UH 5% AX
D 617	830956550700	DIODE RGP10J/1N4937 MOT/GP	L 118	759550975200	SPULE 10 UH
D 618	830956550700	DIODE RGP10J/1N4937 MOT/GP	L 119	759550975200	SPULE 10 UH
D 619	759902002100	DIODE BA 157	L 120	759550975200	SPULE 10 UH
D 620	833021514800	1N4148 MELF DIODE	L 121	759862006100	DR 0309 10UH 4-253T-15020
D 621	830953414900	MELF-DIODE LL 4148 TFK/ITT	L 122	759551095200	SPULE 10UH LAN02 280MA/1R
D 701	830953414900	MELF-DIODE LL 4148 TFK/ITT	L 123	759551095200	SPULE 10UH LAN02 280MA/1R
D 702	833021514800	1N4148 MELF DIODE	L 124	759550975200	SPULE 10 UH
D 703	833021514800	1N4148 MELF DIODE	L 125	759550975200	SPULE 10 UH
D 704	833021514800	1N4148 MELF DIODE	L 126	759550975200	SPULE 10 UH
D 705	830953414900	MELF-DIODE LL 4148 TFK/ITT	L 127	759862006100	DR 0309 10UH 4-253T-15020
D 706	830953414900	MELF-DIODE LL 4148 TFK/ITT	L 128	759551095200	SPULE 10UH LAN02 280MA/1R

ÄNDERUNGEN VORBEHALTEN / SUBJECT TO ALTERATION

POS. NR. POS. NO.	MATERIAL-NR. PART NUMBER	BEZEICHNUNG DESCRIPTION
L 404	759862006100	DR 0309 10UH 4-253T-15020
L 405	759551095200	SPULE 10UH LAN02 280MA/1R
L 406	759550924000	SPULE 4.7UH
L 504	759551056800	SPULE H-LIN 100UH
L 601	759550947200	FILTER 18 MH
L 602	759550922600	SPULE 50UH
L 603	759550924000	SPULE 4.7UH
L 701	759550451500	SPULE 10UH R0814
PH 601	△ 759550963200	OPTOKOPPLER TCET 1100/V310
Q 102	759550971800	QUARZ 20.25MHZ 20PPM (10647
R 522	△ 759551121600	SICH.WIDERST. 0.22OHM J 1W
R 619	△ 759550933500	WIDERST. 1M 0.5W
R 620	△ 759551292800	PTC 9 OHM/2P-3CYLCE
R 635	△ 759550542000	WIDERST 2.7OHM K 5W R10
R 644	△ 759550452600	WIDERST 4.7MOHM1/2W
R 649	△ 759550452700	WIDERST 0.1OHM0.4W
SK 202	759550926700	EURO AV-BUCHSE
T 102	830100484800	SMD TRANS BC848B/ BC847B P
T 103	830100484800	SMD TRANS BC848B/ BC847B P
T 201	830100484800	SMD TRANS BC848B/ BC847B P
T 205	830100484800	SMD TRANS BC848B/ BC847B P
T 206	830100685700	SMD-TRANS.BC 857 C
T 207	830100685700	SMD-TRANS.BC 857 C
T 301	830100484800	SMD TRANS BC848B/ BC847B P
T 304	830100685700	SMD-TRANS.BC 857 C
T 305	830100685700	SMD-TRANS.BC 857 C
T 306	830100685700	SMD-TRANS.BC 857 C
T 307	830100685700	SMD-TRANS.BC 857 C
T 401	759551113800	TRANS BC818-215
T 403	830100484800	SMD TRANS BC848B/ BC847B P
T 404	830100484800	SMD TRANS BC848B/ BC847B P
T 405	830100484800	SMD TRANS BC848B/ BC847B P
T 406	830100484800	SMD TRANS BC848B/ BC847B P
T 407	830100685700	SMD-TRANS.BC 857 C
T 408	830100685700	SMD-TRANS.BC 857 C
T 409	830100685700	SMD-TRANS.BC 857 C
T 410	830100685700	SMD-TRANS.BC 857 C
T 502	759551077600	TRANS TRN BC639
T 504	759551112500	TRANS 2 SD 2586
T 601	830100484800	SMD TRANS BC848B/ BC847B P
T 602	830100484800	SMD TRANS BC848B/ BC847B P
T 603	830100484800	SMD TRANS BC848B/ BC847B P
T 609	759551113100	2SK3567 TRANSISTOR
T 701	830100484800	SMD TRANS BC848B/ BC847B P
T 702	830100484800	SMD TRANS BC848B/ BC847B P
T 703	830100484800	SMD TRANS BC848B/ BC847B P
T 704	759551013200	TRANS BF 421
T 705	759551013200	TRANS BF 421
T 706	759551013200	TRANS BF 421
T 707	759551153300	TRANS.2SC3619
T 708	759551153300	TRANS.2SC3619
T 709	759551153300	TRANS.2SC3619
TH 601	759880944900	TYRISTOR MCR 22-8
TR 501	759551077200	TRAFO
TR 502	△ 759551224200	TRAFO FBT 040150R-T1
TR 601	△ 759551153400	TRAFO SMT 20/21 EL/2084.013
TU 102	759551221100	TUNER PS ENV57K04G3 RF

Es gelten die Vorschriften und Sicherheitshinweise gemäß dem Service Manual "Sicherheit", Mat.-Nummer 720108000001, sowie zusätzlich die eventuell abweichenden, landesspezifischen Vorschriften!



The regulations and safety instructions shall be valid as provided by the "Safety" Service Manual, part number 720108000001, as well as the respective national deviations.

ÄNDERUNGEN VORBEHALTEN / SUBJECT TO ALTERATION

Ersatzteilliste
Spare Parts List

3 / 2007

LP-CHASSISMODUL K2
CHASSISBOARD K2

MATERIAL-NR. / PART NO.: 275990196000

POS. NR. POS. NO.	ABB. FIG.	MATERIAL-NR. PART NUMBER	ANZ. QTY.	BEZEICHNUNG DESCRIPTION
----------------------	--------------	-----------------------------	--------------	----------------------------

275990196000 LP-CHASSISMODUL K2
KEIN E-TEIL

CHASSISBOARD K2
NO SPARE PART

POS. NR. POS. NO.	MATERIAL-NR. PART NUMBER	BEZEICHNUNG DESCRIPTION	POS. NR. POS. NO.	MATERIAL-NR. PART NUMBER	BEZEICHNUNG DESCRIPTION
C 527	△ 759551124400	KONDENS. 7.8 NF 1.5 KV	D 707	830953414900	MELF-DIODE LL 4148 TFK/ITT
C 528	△ 759550458700	KONDENS 390NF250VR.15	D 708	830921512700	1N4007 -GA DIODE
C 625	△ 759550542100	KONDENS 330NF K 275V-AC	F 103	831900696700	OFWFIL X6966M100 SIE
C 626	△ 759550949300	KONDENS. 220 NF/275 V AC	FS 601	△ 759550922700	SICHERUNG 3.15AT
C 636	△ 759550965300	KONDENS 220PF M 250VAC R:10	IC 101	720086718500	SW/IC K1 256K
C 637	△ 759550965300	KONDENS 220PF M 250VAC R:10	IC 301	759550506300	AN5277 IC
C 654	△ 759880450800	KONDENS. 2.2NF 20% 250V	IC 401	759550519300	IC CHIP AT24C16AN 10SI TAPE
D 102	759880755100	DIODE 1N5819	IC 402	759551331100	TSOP38238T VISHAY IR-EMPPAE
D 202	833021514800	1N4148 MELF DIODE	IC 501	759551112300	IC TDA 8357 J
D 401	830953414900	MELF-DIODE LL 4148 TFK/ITT	IC 601	759551123300	IC MC33269T G 0.8A LD
D 402	830953414900	MELF-DIODE LL 4148 TFK/ITT	IC 602	759551153100	IC ICE1QS01
D 403	830953414900	MELF-DIODE LL 4148 TFK/ITT	IC 603	759551095100	LM317LZRA 0.1A TO92 IC
D 404	830953414900	MELF-DIODE LL 4148 TFK/ITT	IC 604	759551095100	LM317LZRA 0.1A TO92 IC
D 405	830953414900	MELF-DIODE LL 4148 TFK/ITT	IC 606	759551060700	IC NCP1117DTARK (DPAK)
D 406	759551076900	LED L-513LR1D	IC 607	759551060700	IC NCP1117DTARK (DPAK)
D 501	833021514800	1N4148 MELF DIODE	IC 609	830544043100	IC TL431CLPRP MOT AV330 ER-
D 505	830953414900	MELF-DIODE LL 4148 TFK/ITT	L 101	759551095200	SPULE 10UH LAN02 280MA/1R
D 508	759902002100	DIODE BA 157	L 102	759551095200	SPULE 10UH LAN02 280MA/1R
D 509	759902002100	DIODE BA 157	L 104	759862006100	DR 0309 10UH 4-253T-15020
D 510	759902002100	DIODE BA 157	L 105	759862006100	DR 0309 10UH 4-253T-15020
D 510A	759902002100	DIODE BA 157	L 107	759551095200	SPULE 10UH LAN02 280MA/1R
D 511	759902002100	DIODE BA 157	L 108	759551095200	SPULE 10UH LAN02 280MA/1R
D 603	830953414900	MELF-DIODE LL 4148 TFK/ITT	L 109	759862006100	DR 0309 10UH 4-253T-15020
D 604	833021514800	1N4148 MELF DIODE	L 110	759862006100	DR 0309 10UH 4-253T-15020
D 605	830953414900	MELF-DIODE LL 4148 TFK/ITT	L 111	814052636100	DR 0411 10UH 5% AV619 -AMMO
D 606	725511823600	DIODE RF2007 IO	L 112	759551095200	SPULE 10UH LAN02 280MA/1R
D 607	725511823600	DIODE RF2007 IO	L 113	759550924000	SPULE 4.7UH
D 608	725511823600	DIODE RF2007 IO	L 114	759550971400	SPULE 4.7UH LAL04 52MM
D 609	725511823600	DIODE RF2007 IO	L 115	759875214900	CHIP SPULE 8.2UH
D 610	759550455400	DIODE RGP30MS	L 116	759813083500	DR 0207 10UH 5% AX
D 611	830953414900	MELF-DIODE LL 4148 TFK/ITT	L 117	759813083500	DR 0207 10UH 5% AX
D 614	830956550700	DIODE RGP10J/1N4937 MOT/GP	L 207	759550975200	SPULE 10 UH
D 615	759550543400	DIODE RGP30D	L 208	759550975200	SPULE 10 UH
D 616	830956550700	DIODE RGP10J/1N4937 MOT/GP	L 301	759862006100	DR 0309 10UH 4-253T-15020
D 617	830956550700	DIODE RGP10J/1N4937 MOT/GP	L 401	759551095200	SPULE 10UH LAN02 280MA/1R
D 618	830956550700	DIODE RGP10J/1N4937 MOT/GP	L 402	759551095200	SPULE 10UH LAN02 280MA/1R
D 619	759902002100	DIODE BA 157	L 403	759551095200	SPULE 10UH LAN02 280MA/1R
D 620	833021514800	1N4148 MELF DIODE	L 404	759862006100	DR 0309 10UH 4-253T-15020
D 621	830953414900	MELF-DIODE LL 4148 TFK/ITT	L 405	759551095200	SPULE 10UH LAN02 280MA/1R
D 701	830953414900	MELF-DIODE LL 4148 TFK/ITT	L 406	759550924000	SPULE 4.7UH
D 702	833021514800	1N4148 MELF DIODE	L 504	759550455100	SPULE H-LIN 55UH
D 703	833021514800	1N4148 MELF DIODE	L 601	759550947200	FILTER 18 MH
D 704	833021514800	1N4148 MELF DIODE			
D 705	830953414900	MELF-DIODE LL 4148 TFK/ITT			
D 706	830953414900	MELF-DIODE LL 4148 TFK/ITT			

ÄNDERUNGEN VORBEHALTEN / SUBJECT TO ALTERATION

POS. NR. POS. NO.	MATERIAL-NR. PART NUMBER	BEZEICHNUNG DESCRIPTION
L 602	759550922600	SPULE 50UH
L 603	759551249900	SPULE 1UH LAL03
L 701	759550451500	SPULE 10UH R0814
PH 601	△ 759550963200	OPTOKOPPLER TCET 1100/V310
Q 102	759550971800	QUARZ 20.25MHZ 20PPM (10647
R 522	△ 759875238900	WIDERSTAND 0,47 5% 1W
R 619	△ 759550933500	WIDERST. 1M 0.5W
R 620	△ 759551292800	PTC 9 OHM/2P-3CYLCE
R 635	△ 759550542000	WIDERST 2,7OHM K 5W R10
R 644	△ 759550452600	WIDERST 4,7MOHM1/2W
R 649	△ 759550452700	WIDERST 0,1OHM0,4W
SK 201	759550922900	EURO AV BUCHSE
SW 401	759550451400	TASTSCHALTER
SW 402	759550451400	TASTSCHALTER
SW 403	759550451400	TASTSCHALTER
SW 601	△ 759550450300	NETZSCHALTER
T 205	830100484800	SMD TRANS BC848B/ BC847B P
T 207	830100685700	SMD-TRANS.BC 857 C
T 301	830100484800	SMD TRANS BC848B/ BC847B P
T 304	830100685700	SMD-TRANS.BC 857 C
T 305	830100685700	SMD-TRANS.BC 857 C
T 306	830100685700	SMD-TRANS.BC 857 C
T 307	830100685700	SMD-TRANS.BC 857 C
T 401	759551113800	TRANS BC818-215
T 403	830100484800	SMD TRANS BC848B/ BC847B P
T 404	830100484800	SMD TRANS BC848B/ BC847B P
T 405	830100484800	SMD TRANS BC848B/ BC847B P
T 406	830100484800	SMD TRANS BC848B/ BC847B P
T 407	830100685700	SMD-TRANS.BC 857 C
T 408	830100685700	SMD-TRANS.BC 857 C
T 409	830100685700	SMD-TRANS.BC 857 C
T 410	830100685700	SMD-TRANS.BC 857 C
T 502	759551077600	TRANS TRN BC639
T 504	759551112500	TRANS 2 SD 2586
T 601	830100484800	SMD TRANS BC848B/ BC847B P
T 602	830100484800	SMD TRANS BC848B/ BC847B P
T 603	830100484800	SMD TRANS BC848B/ BC847B P
T 609	759551113100	2SK3567 TRANSISTOR
T 701	830100484800	SMD TRANS BC848B/ BC847B P
T 702	830100484800	SMD TRANS BC848B/ BC847B P
T 703	830100484800	SMD TRANS BC848B/ BC847B P
T 704	759551013200	TRANS BF 421
T 705	759551013200	TRANS BF 421
T 706	759551013200	TRANS BF 421
T 707	759551153300	TRANS.2SC3619
T 708	759551153300	TRANS.2SC3619
T 709	759551153300	TRANS.2SC3619
TH 601	759880944900	TYRISTOR MCR 22-8
TR 501	759551077200	TRAFO
TR 502	△ 759551076600	TRAFO FBT 20/21 „ EL/1142.5
TR 601	△ 759551153400	TRAFO SMT 20/21 EL/2084.013
TU 102	759551221100	TUNER PS ENV57K04G3 RF
X 301	759550999100	STECKERLEISTE 4 POL.
X 502	759551154400	STECKER 4 POL.
X 601	△ 759550966400	STECKER 2 POL.
X 602	△ 759551153000	STECKER 2 POL.

Es gelten die Vorschriften und Sicherheitshinweise gemäß dem Service Manual "Sicherheit", Mat.-Nummer 720108000001, sowie zusätzlich die eventuell abweichenden, landesspezifischen Vorschriften!



The regulations and safety instructions shall be valid as provided by the "Safety" Service Manual, part number 720108000001, as well as the respective national deviations.

ÄNDERUNGEN VORBEHALTEN / SUBJECT TO ALTERATION

