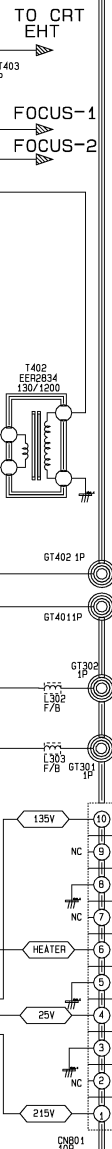
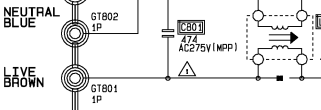
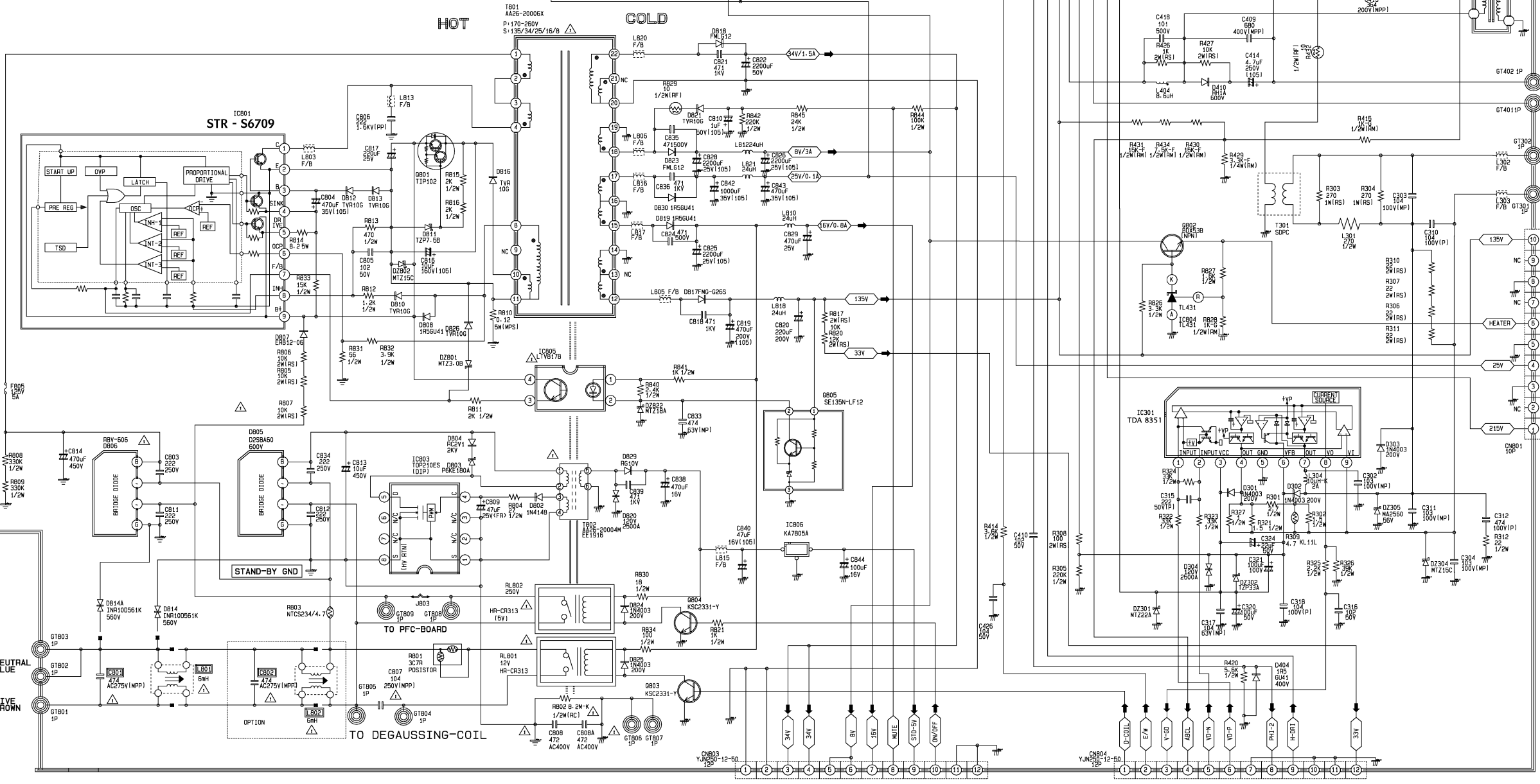
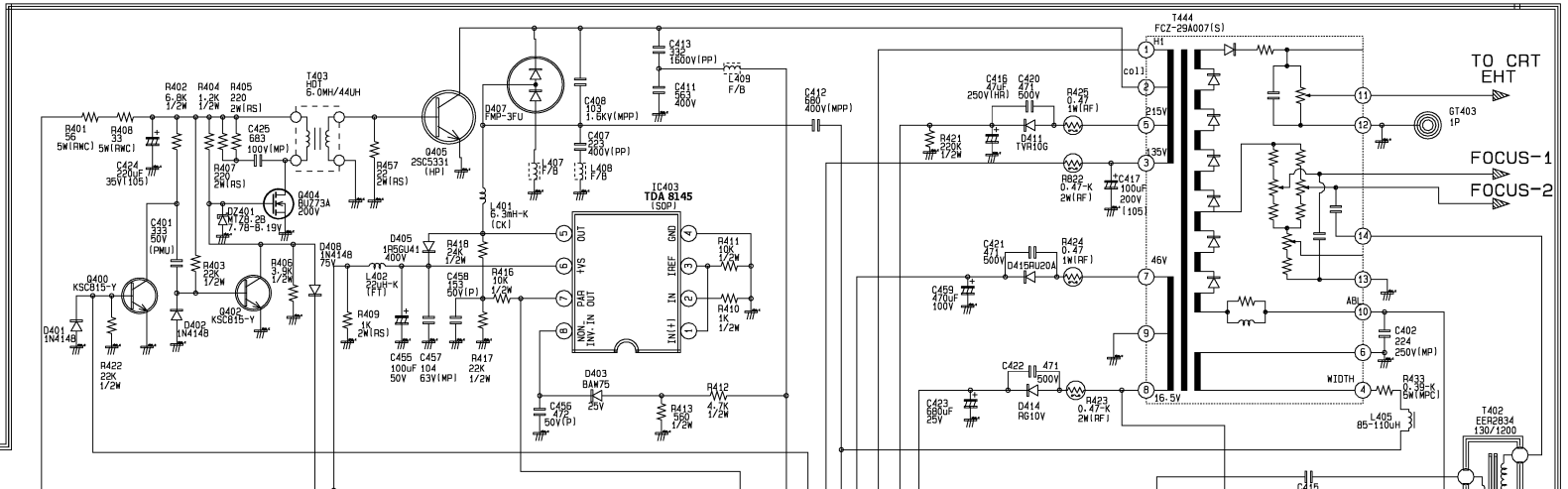
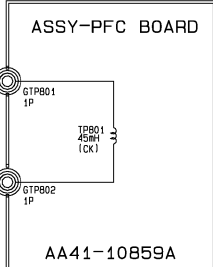


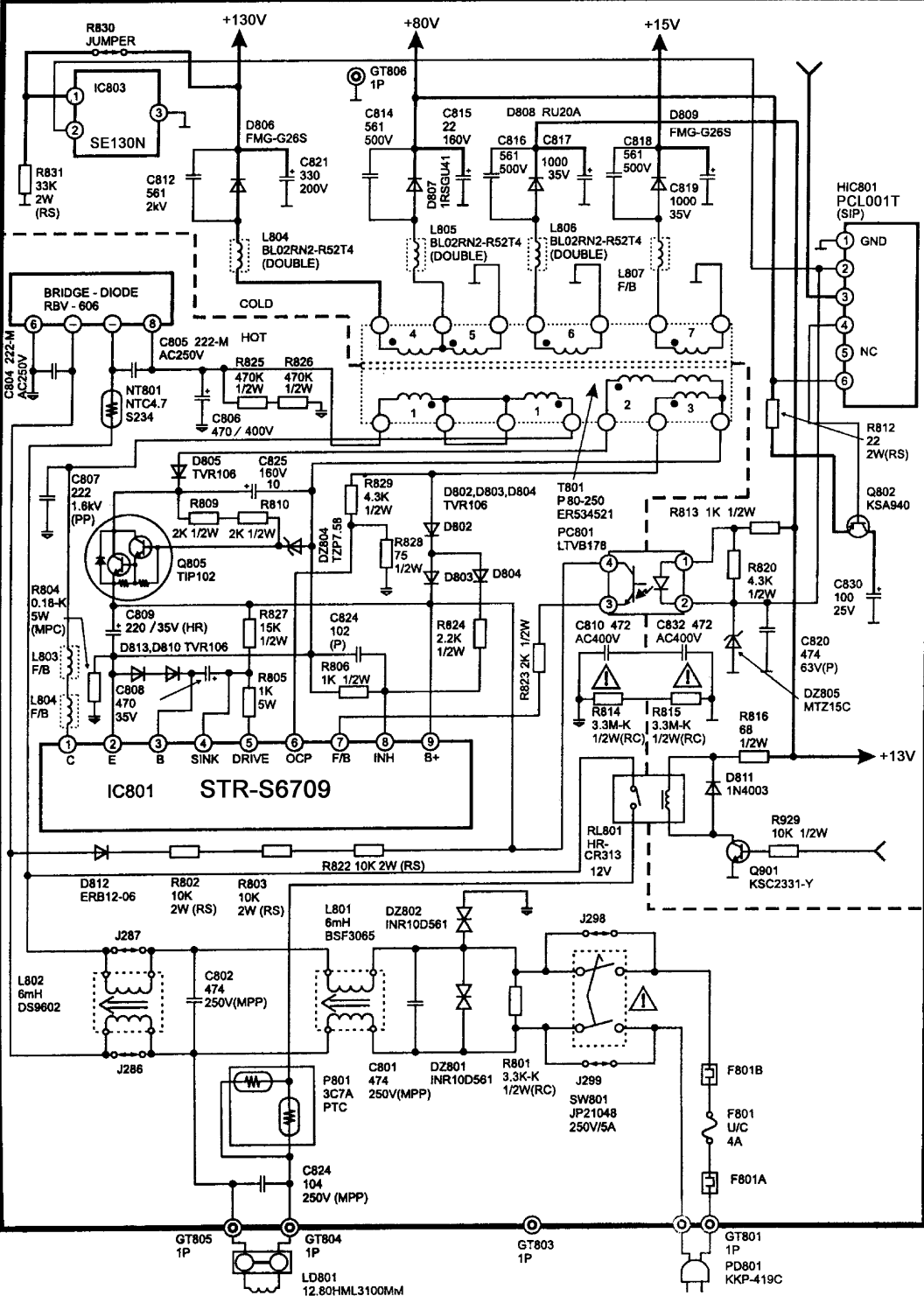
SAMSUNG

CS 30A7HPTX



Dragoljub Janković
microe@ptt.yu
031/512 402 - 514 582





- R830 JUMPER
- IC803 SE130N
- R831 33K 2W (RS)
- C812 561 2kV
- D806 FMG-G26S
- C821 330 200V
- L804 BL02RN2-R52T4 (DOUBLE)
- GT806 1P
- C814 561 500V
- C815 22 160V
- D808 RU20A
- C816 561 500V
- C817 1000 35V
- C818 561 500V
- D809 FMG-G26S
- C819 1000 35V
- L805 BL02RN2-R52T4 (DOUBLE)
- L806 BL02RN2-R52T4 (DOUBLE)
- L807 F/B
- HIC801 PCL001T (SIP)
- 1 GND
- 2
- 3
- 4
- 5 NC
- 6
- R812 22 2W(RS)
- Q802 KSA840
- C804 222-M AC250V
- BRIDGE - DIODE RBV - 606
- C805 222-M AC250V
- R825 470K 1/2W
- R826 470K 1/2W
- NT801 NTC4.7 S234
- C806 470 / 400V
- D805 TVR106
- C825 160V 10
- R829 4.3K 1/2W
- D802, D803, D804 TVR106
- T801 P80-250 ER534521
- PC801 LTVB178
- R813 1K 1/2W
- R820 4.3K 1/2W
- C830 100 25V
- C807 222 1.6kV (PP)
- R809 2K 1/2W
- R810 2K 1/2W
- DZ804 TZPT.58
- R828 75 1/2W
- D802
- D803
- D804
- R823 2K 1/2W
- R804 0.18-K 5W (MPC)
- C809 220 / 35V (HR)
- R827 15K 1/2W
- C824 102 (P)
- R824 2.2K 1/2W
- L803 F/B
- L804 F/B
- D813, D810 TVR106
- C808 470 35V
- R805 1K 5W
- R806 1K 1/2W
- R807 1K 1/2W
- R808 1K 1/2W
- IC801 STR-S6709
- 1 C
- 2 E
- 3 B
- 4 SINK
- 5 DRIVE
- 6 OCP
- 7 F/B
- 8 INH
- 9 B+
- R814 3.3K-K 1/2W(RC)
- R815 3.3K-K 1/2W(RC)
- R816 68 1/2W
- D805 MTZ15C
- C870 474 63V(P)
- DZ805
- +13V
- RL801 HR-CR313 12V
- D811 1N4003
- R929 10K 1/2W
- Q901 KSC2331-Y
- D812 ERB12-06
- R802 10K 2W (RS)
- R803 10K 2W (RS)
- L801 6mH BSF3065
- DZ802 INR10D561
- J298
- L802 6mH DS9602
- C802 474 250V(MPP)
- P801 3C7A PTC
- C801 474 250V(MPP)
- DZ801 INR10D561
- R801 3.3K-K 1/2W(RC)
- J299
- SW801 JP21048 250V/5A
- F801B
- F801 U/C 4A
- F801A
- GT805 1P
- GT804 1P
- LD801 12.80HML3100MM
- GT803 1P
- GT801 1P
- PB801 KKP-419C